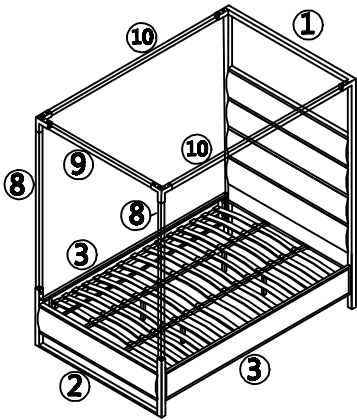
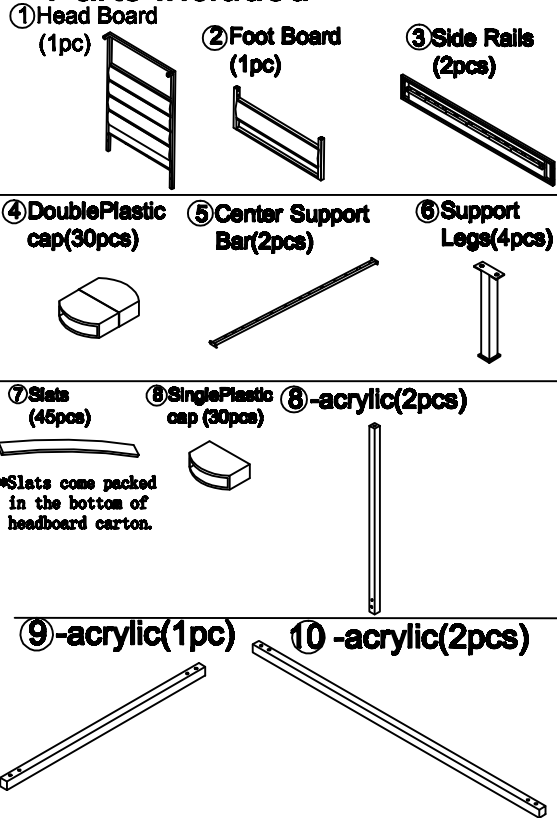


ASSEMBLY INSTRUCTIONS

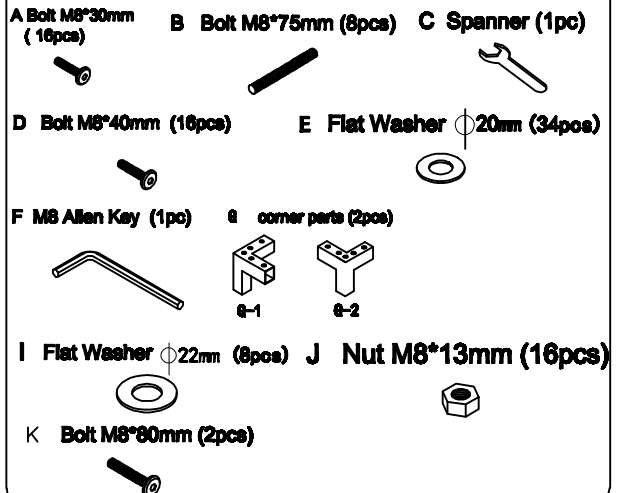
BED - king



+ Parts Included



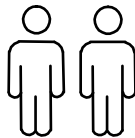
+ Hardware Included



+ Do Not Use Power Tools



+ Suggested Adults



NOTE:

- 1 Read instructions cover to cover.
- 2 Save all packaging until assembly is completed.

1 IMPORTANT SAFETY INFORMATION

Do not assemble the product if any of the following parts arrived damaged:

- Part #3 -Side Rails
- Part #5 -Center Support Bar
- Part #6 -Support Legs
- Part #7 -Slats

2 IMPORTANT ASSEMBLY INFORMATION

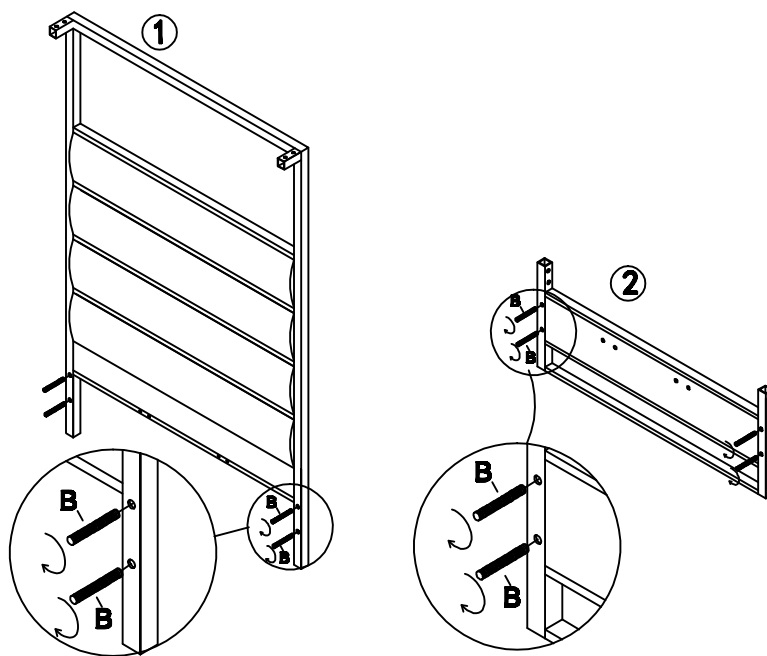
Assembly Step 3 Ensure the side rail bracket is fully hooked onto bolt A loosely threaded with both washers on the OUTSIDE of the bracket first, then proceed to fully tightening all 4 corners.

Assembly Step 9 When installing slats, ensure that the curve is facing upwards. (↖) (↘)
*Slats come packed in the bottom of headboard carton.

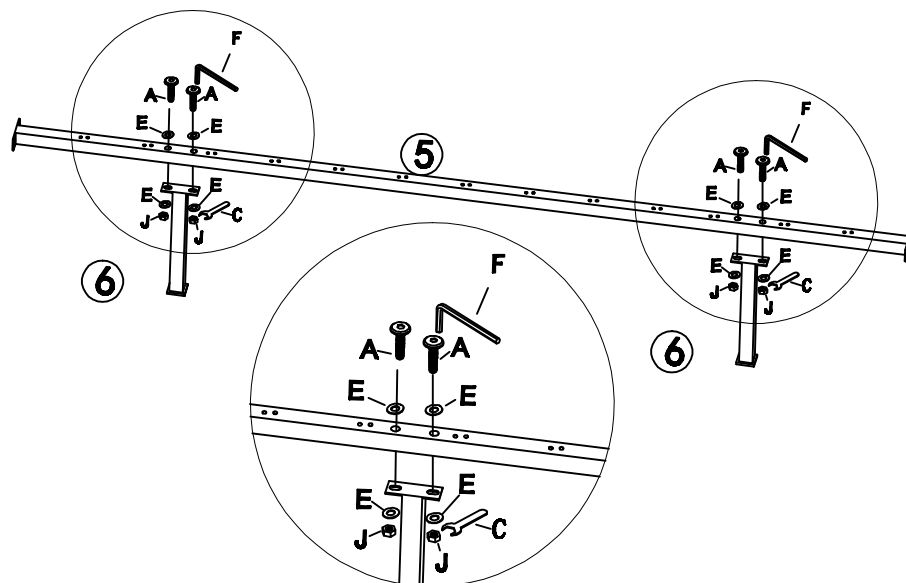
ASSEMBLY INSTRUCTIONS

BED - king

STEP 1:

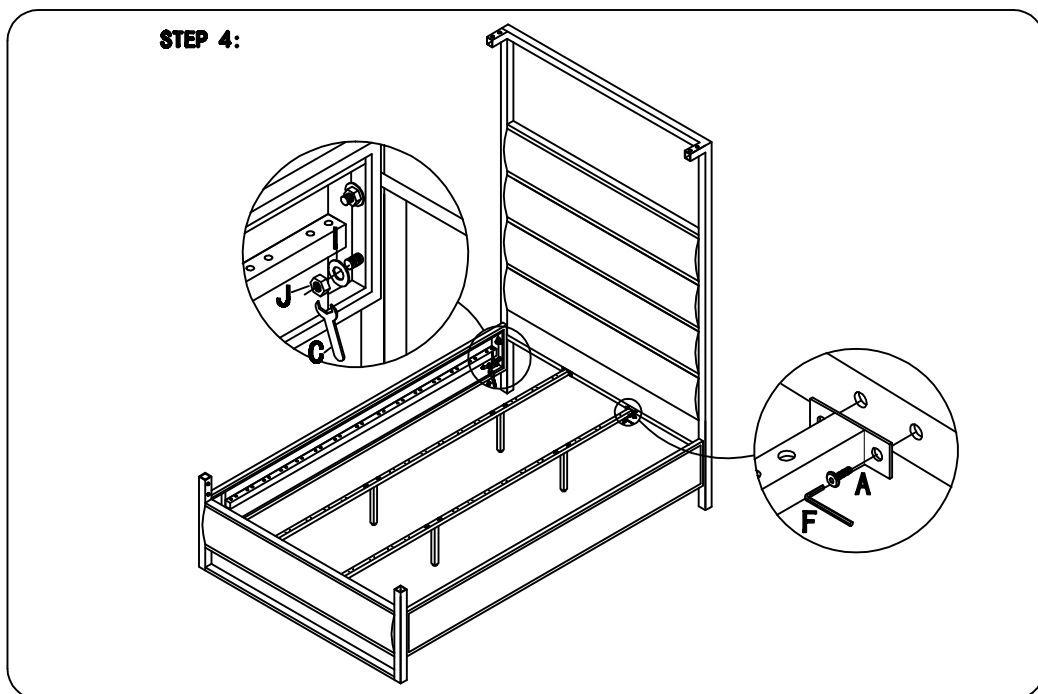
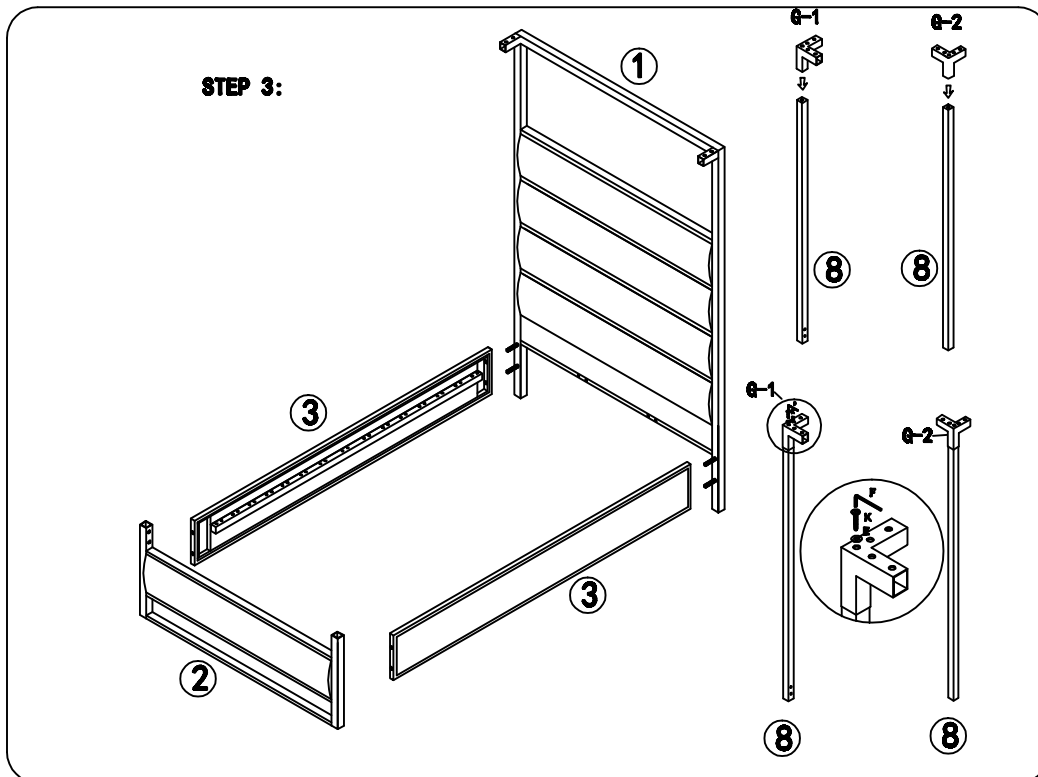


STEP 2:



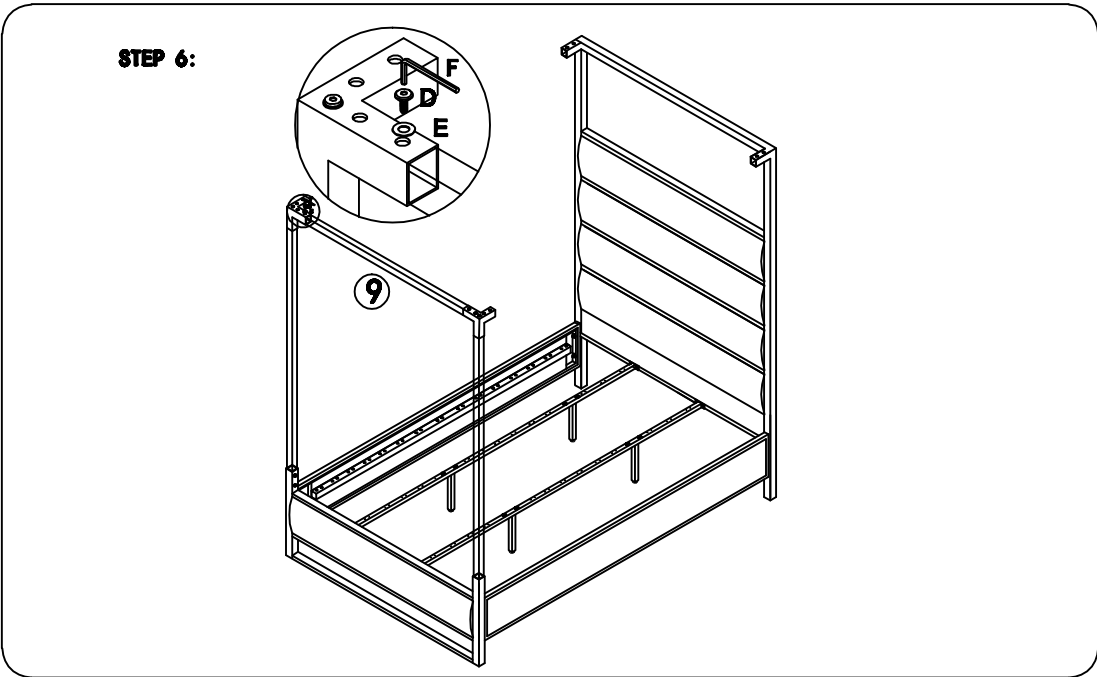
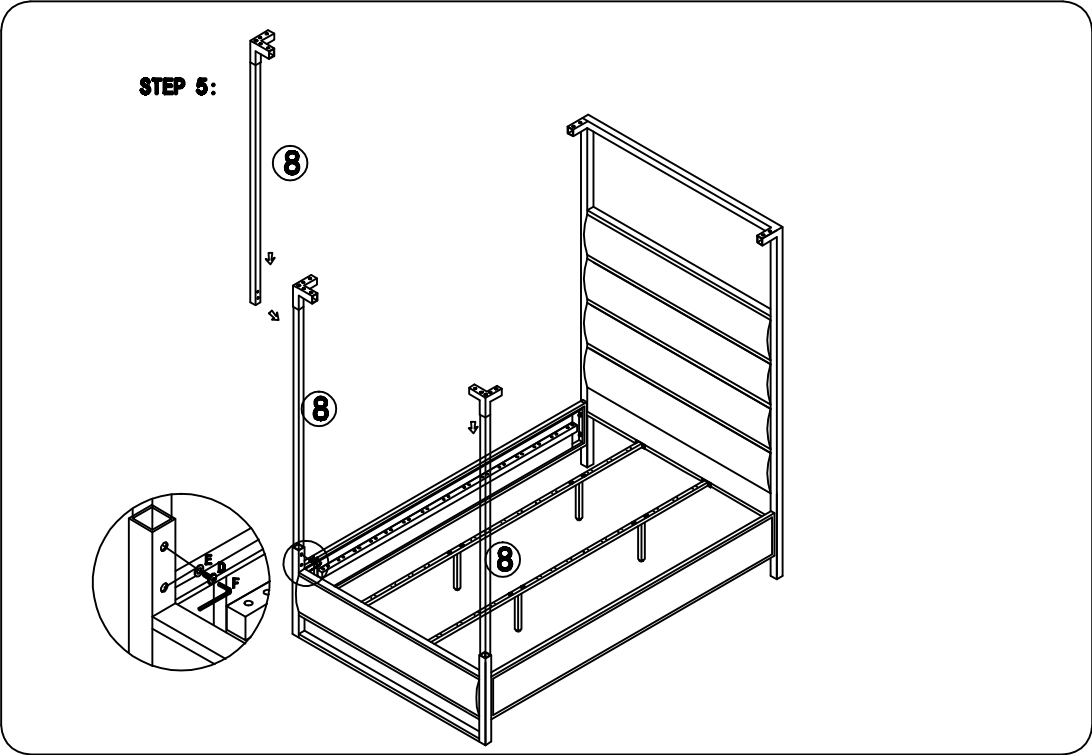
ASSEMBLY INSTRUCTIONS

BED - king



ASSEMBLY INSTRUCTIONS

BED - king



ASSEMBLY INSTRUCTIONS

BED - king

