



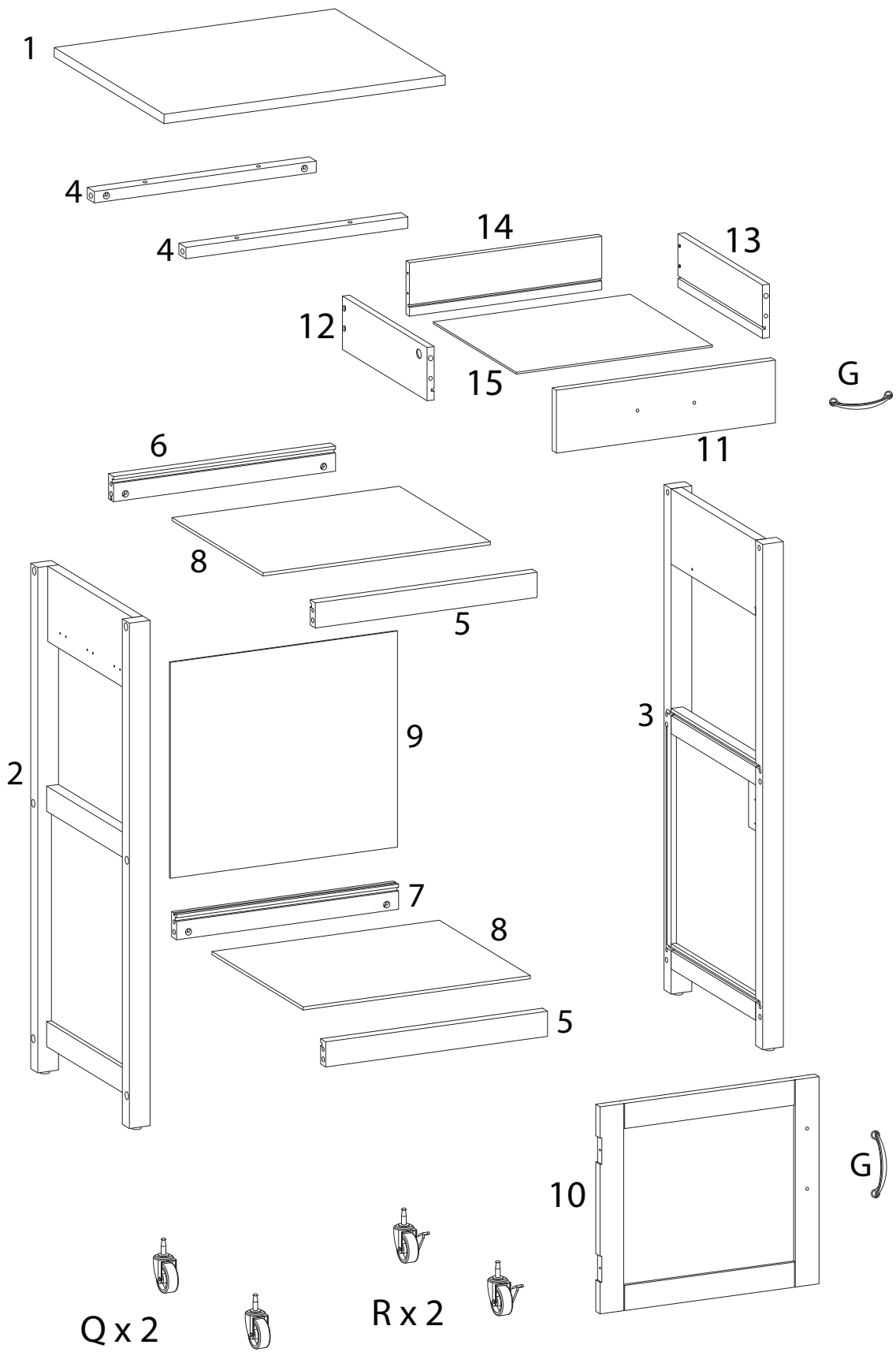
Assembly instructions for the cart, including tool requirements, time estimate, and person count.

Tools: A circle containing a screwdriver and an Allen key. A power drill is shown with a diagonal line through it, indicating it is not required.

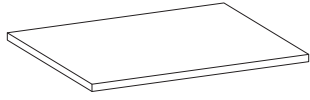
Time: A clock icon with the text "60'" below it, indicating an estimated assembly time of 60 minutes.

Personnel: A stick figure icon with the number "1" below it, indicating that one person is required for assembly.

Warnings: Two warning triangles (exclamation marks) are present. The first is connected to the tools section, and the second is connected to the person count section.

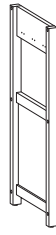


1



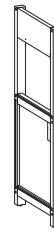
x 1

2



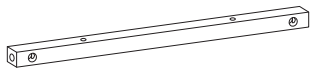
x 1

3



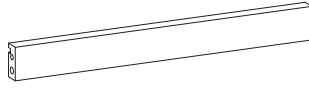
x 1

4



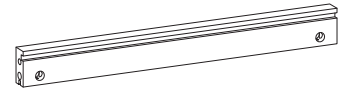
x 2

5



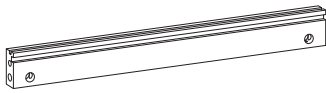
x 2

6



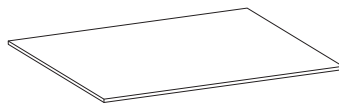
x 1

7



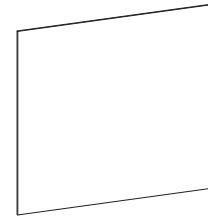
x 1

8



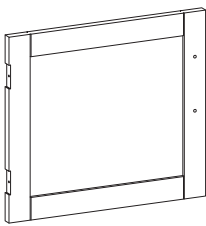
x 2

9



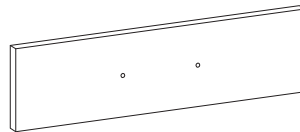
x 1

10



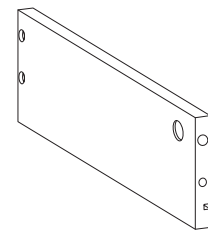
x 1

11



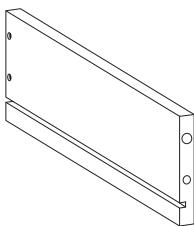
x 1

12



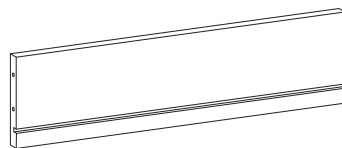
x 1

13



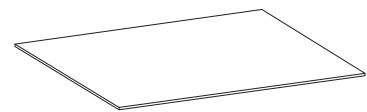
x 1

14



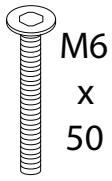
x 1

15



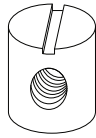
x 1

A



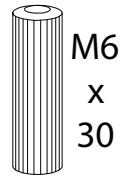
x 12

B



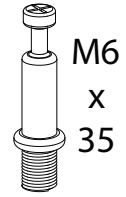
x 12

C



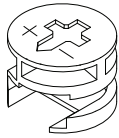
x 10

D



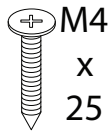
x 2

E



x 2

F



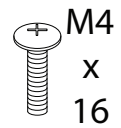
x 8

G



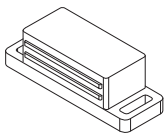
x 2

H



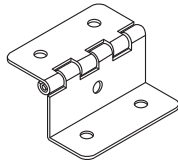
x 4

I



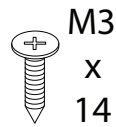
x 1

J



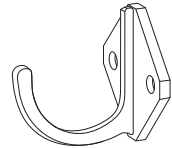
x 2

K



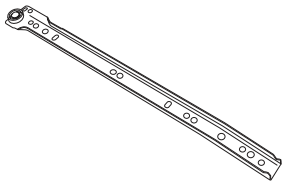
x 26

L



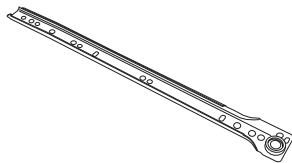
x 3

M



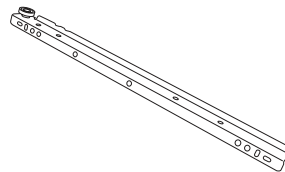
x 1

N



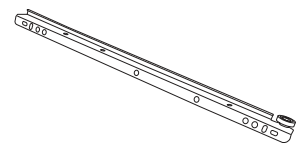
x 1

O



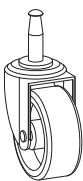
x 1

P



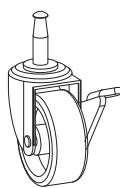
x 1

Q



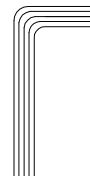
x 2

R



x 2

S



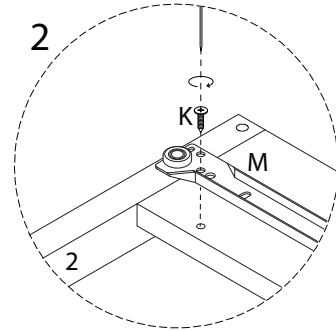
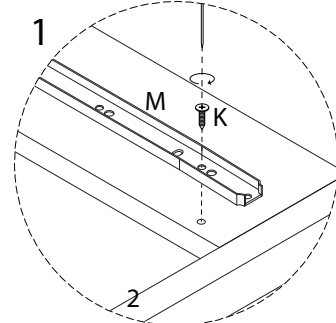
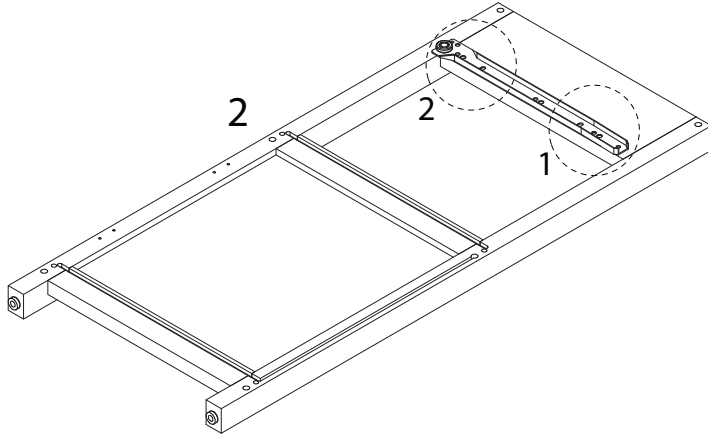
x 1

1

2
x1

K
M3
x
14
x2

M
x1

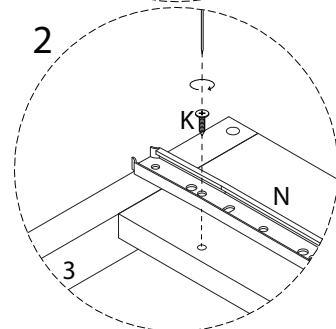
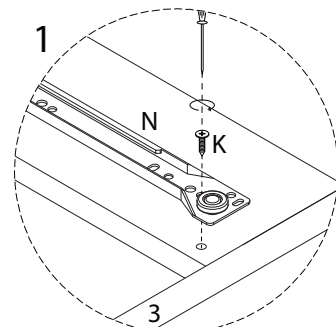
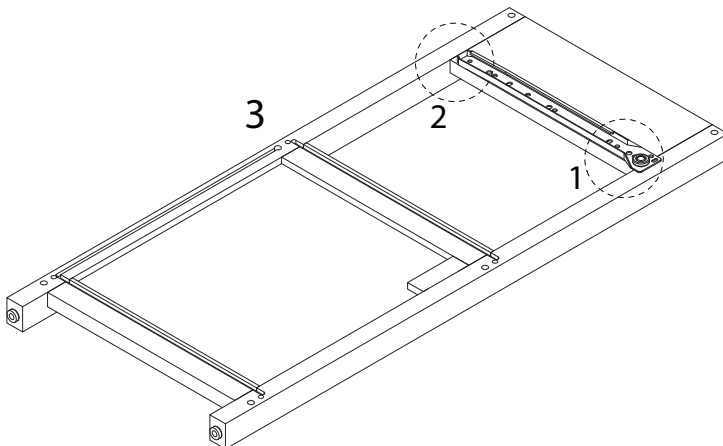


2

3
x1

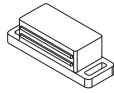
K
M3
x
14
x2

N
x1



3

I

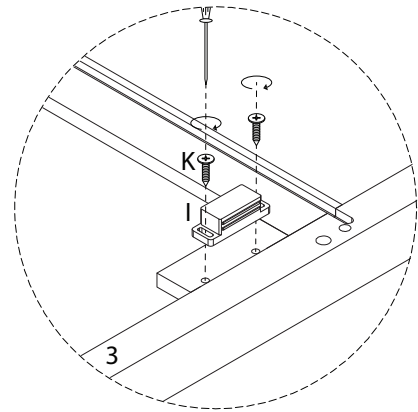
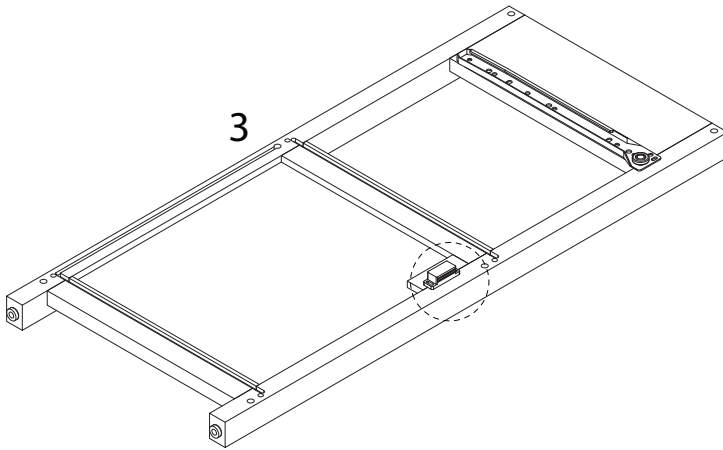


x 1

K

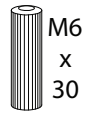


x 2

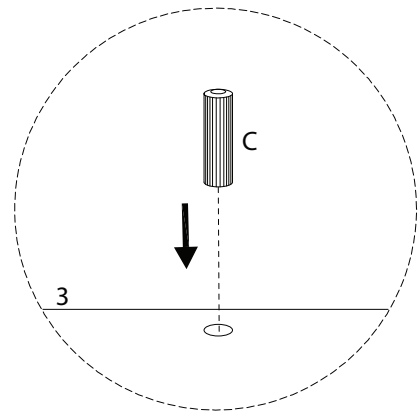
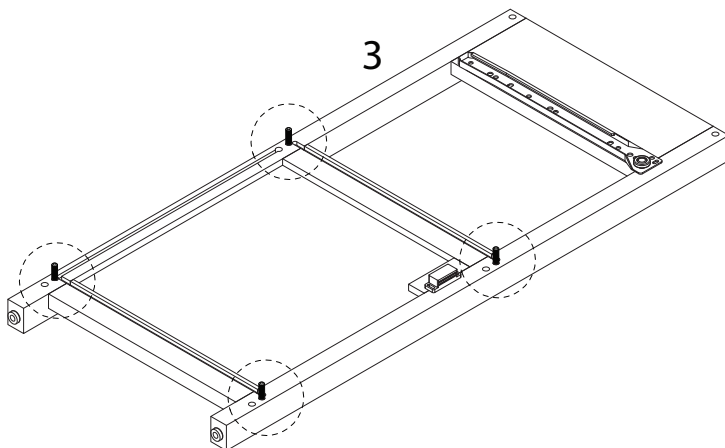


4

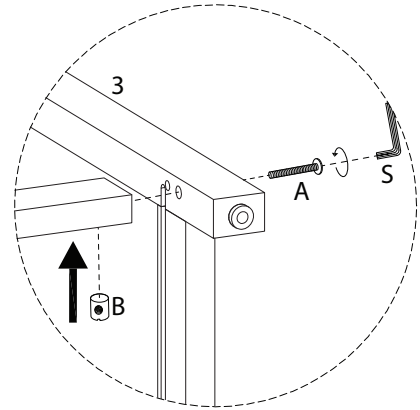
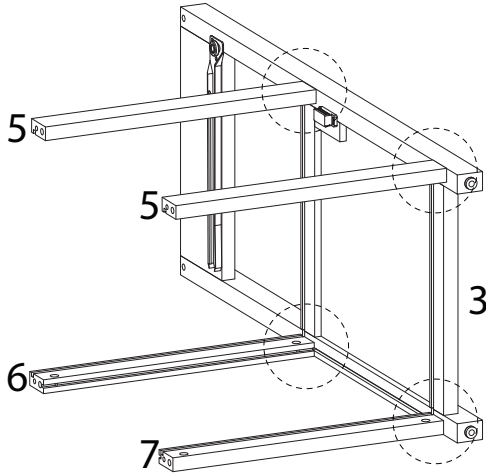
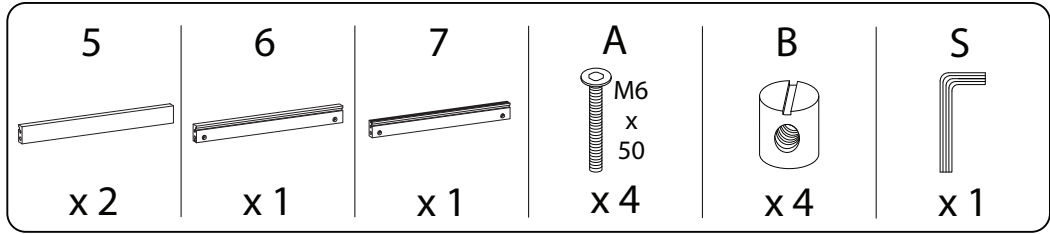
C



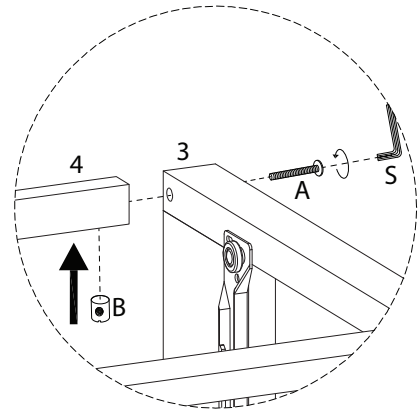
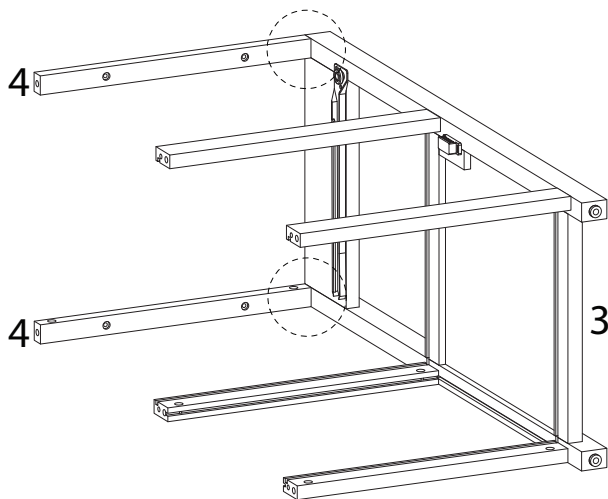
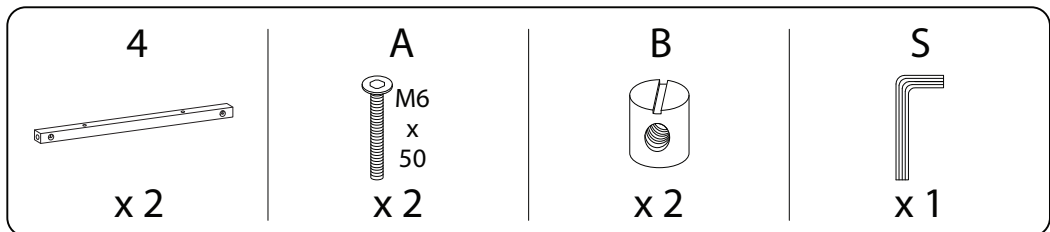
M6
x
30
x 4



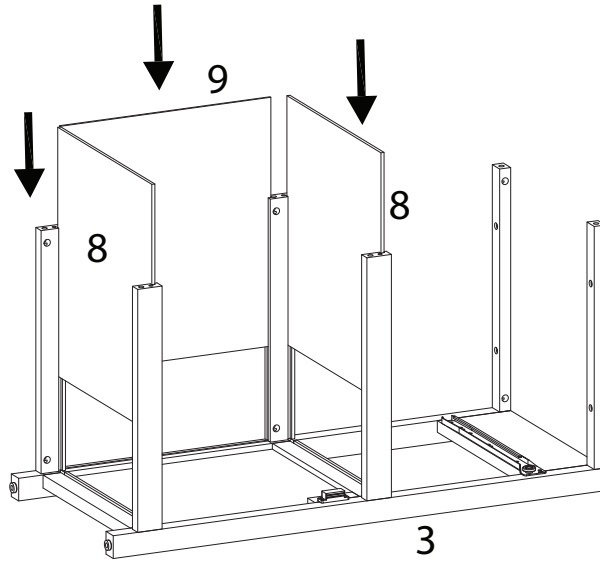
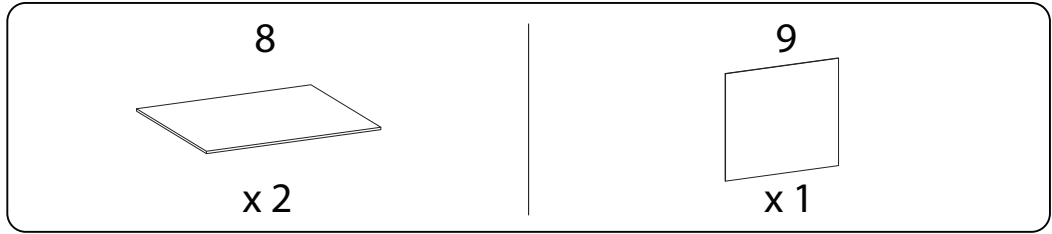
5



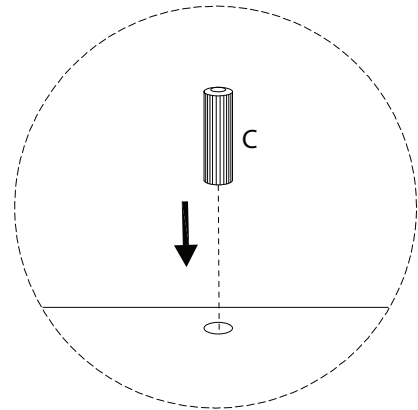
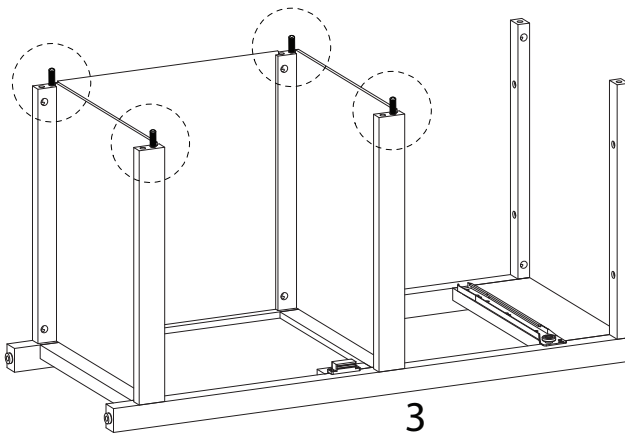
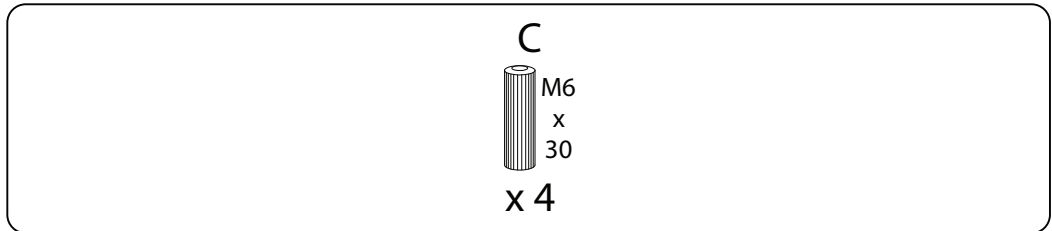
6



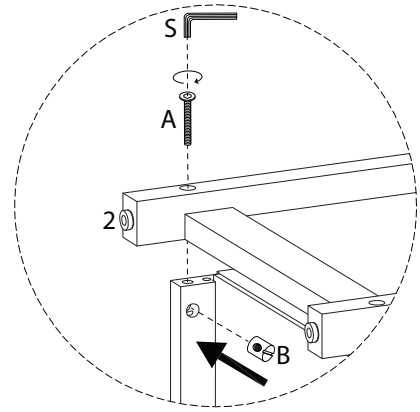
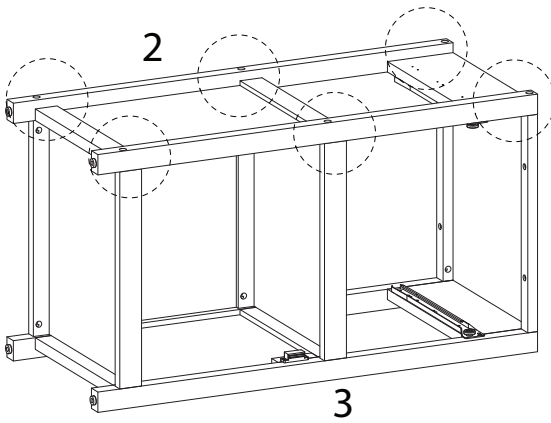
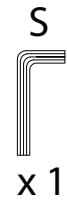
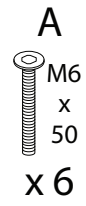
7



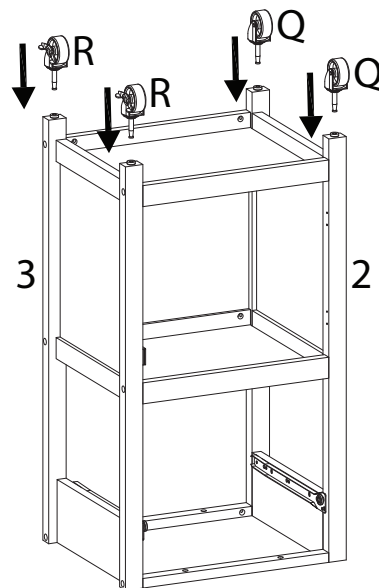
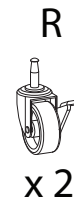
8



9



10



11

1

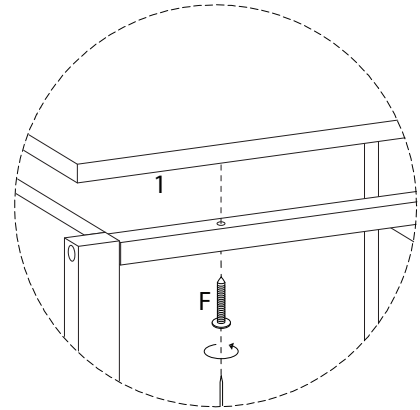
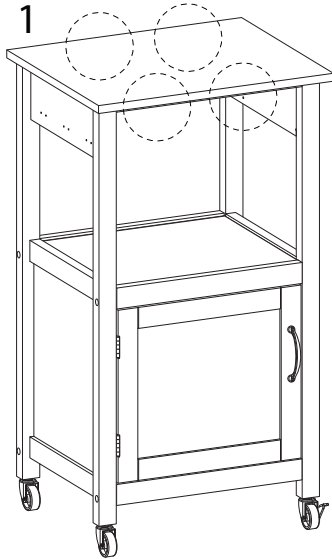


x 1

F

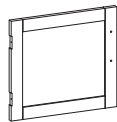


x 4



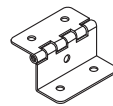
12

10



x 1

J

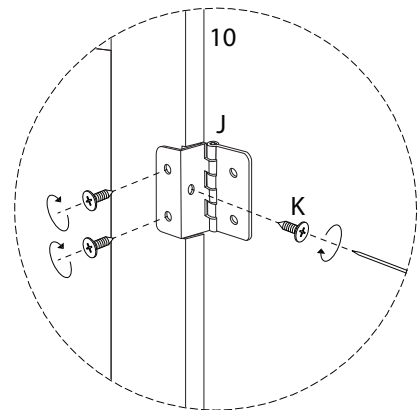
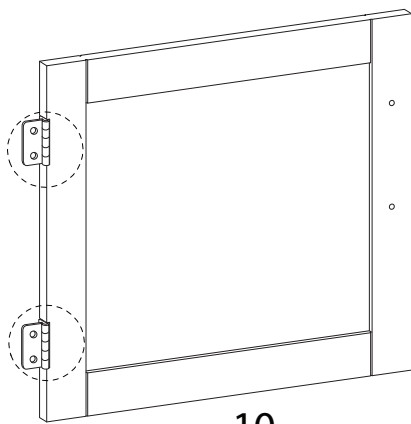


x 2

K

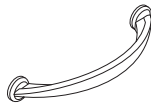


x 6



13

G

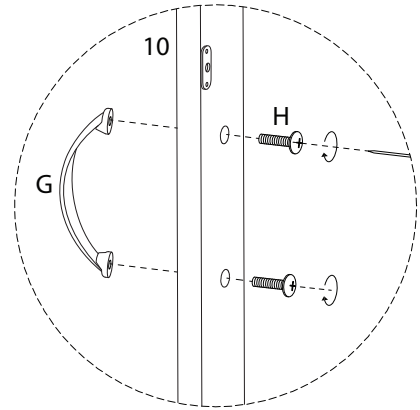
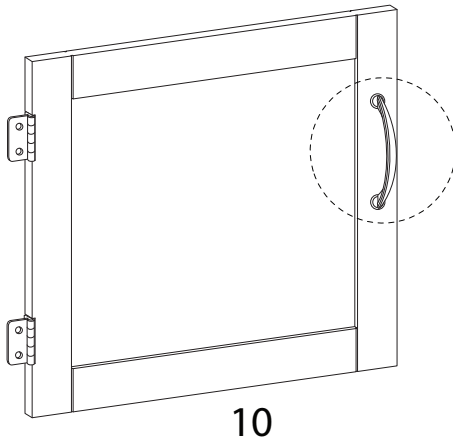


x 1

H



x 2

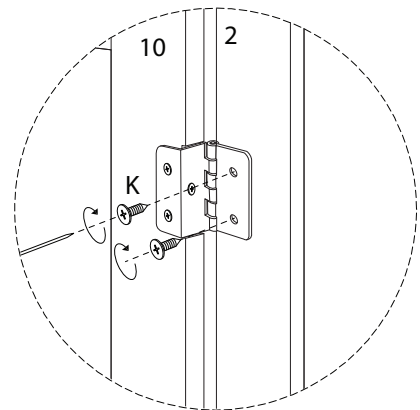
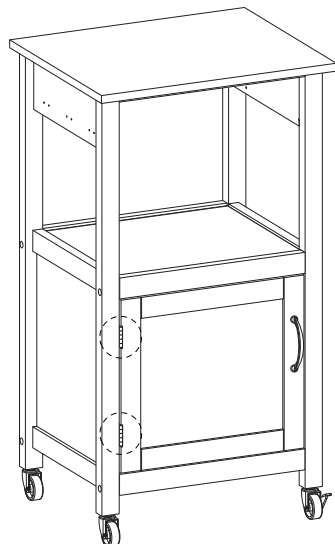


14

K

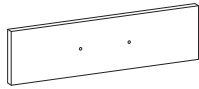


x 4



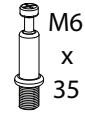
15

11

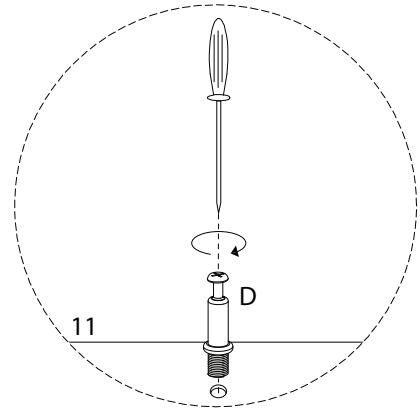
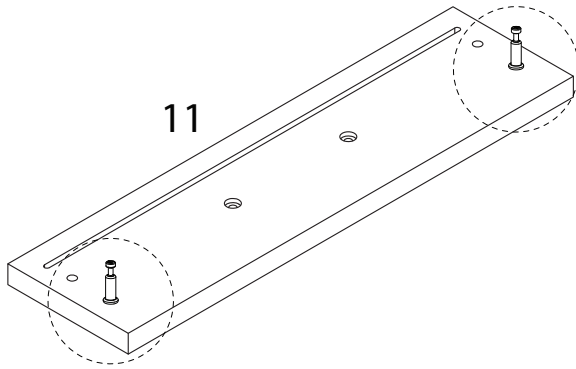


x 1

D

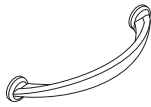


M6
x
35
x 2



16

G

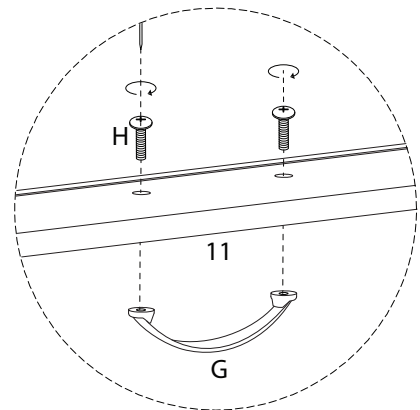
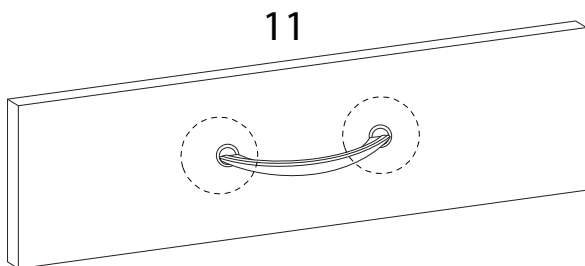


x 1

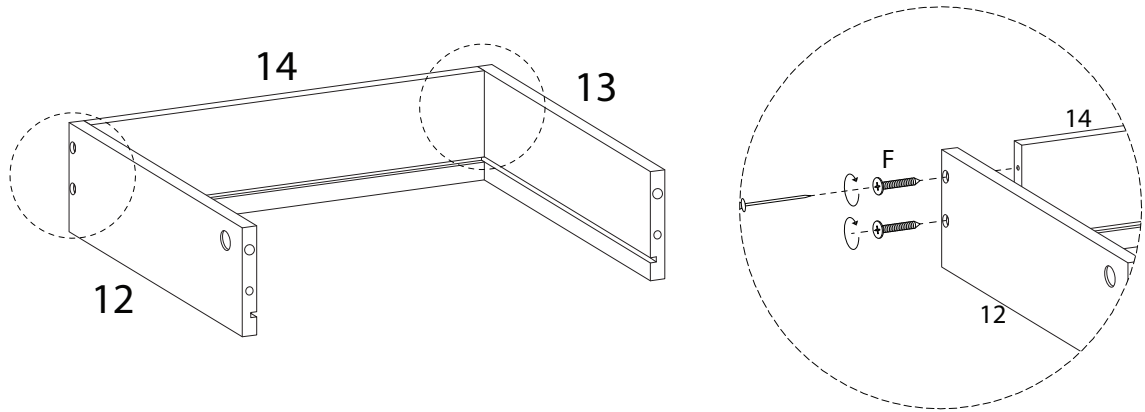
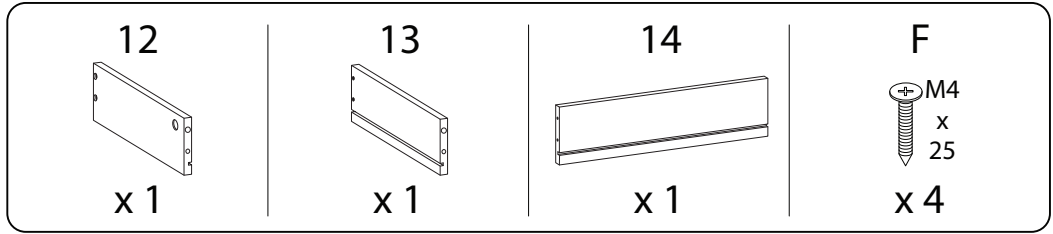
H



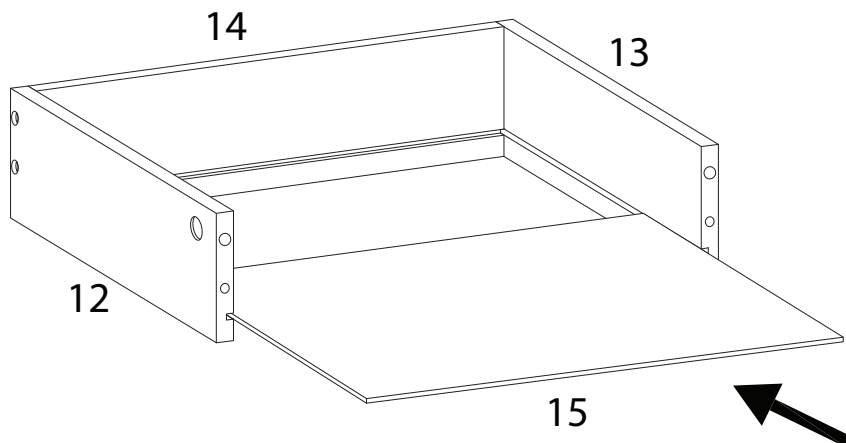
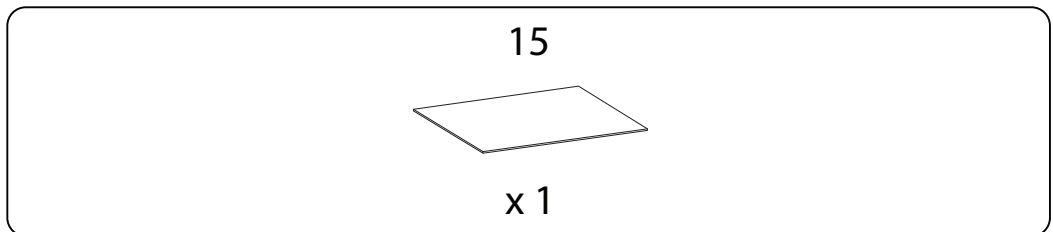
M4
x
16
x 2



17

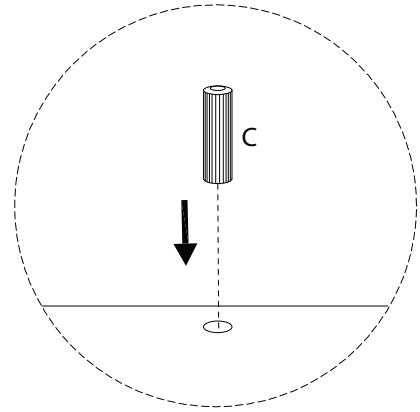
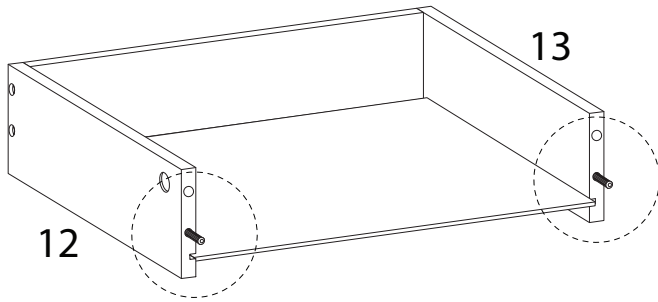


18



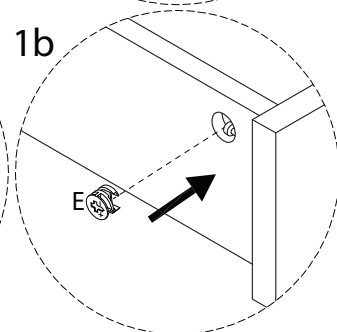
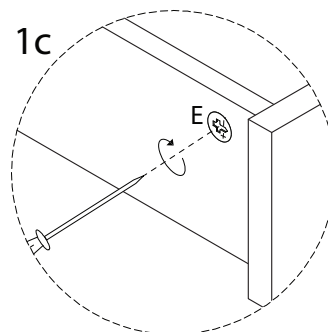
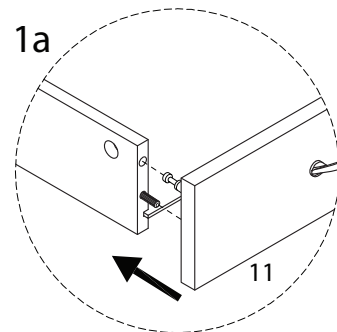
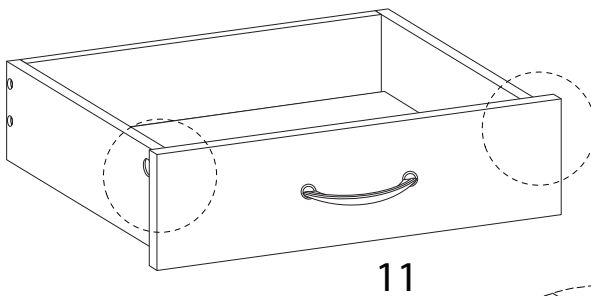
19

C
M6
x
30
x 2



20

E
x 2

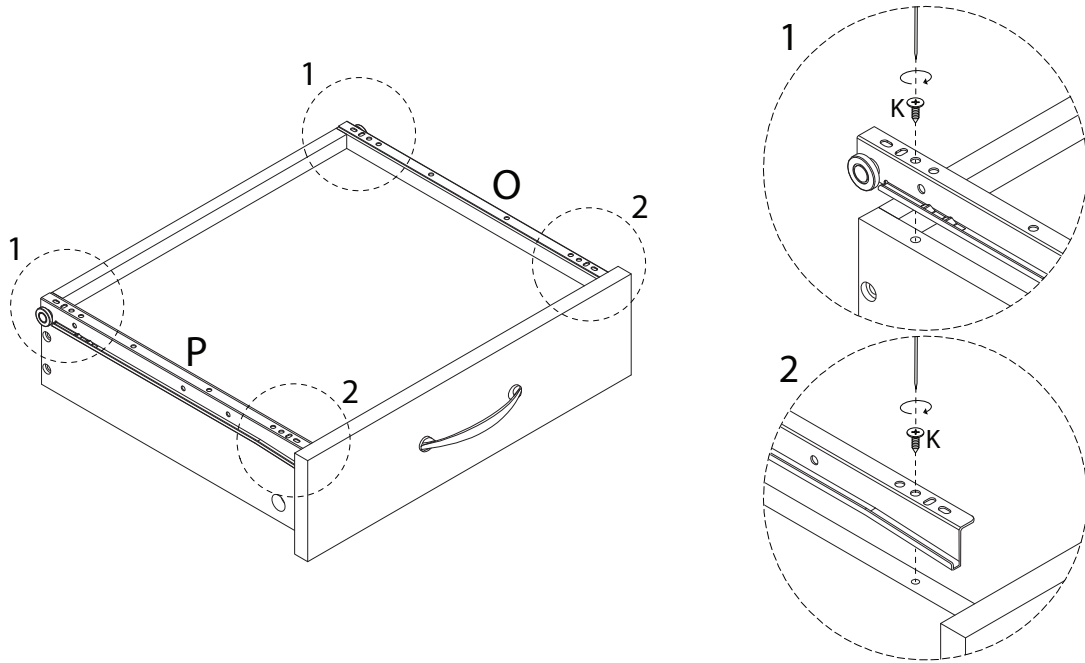


21

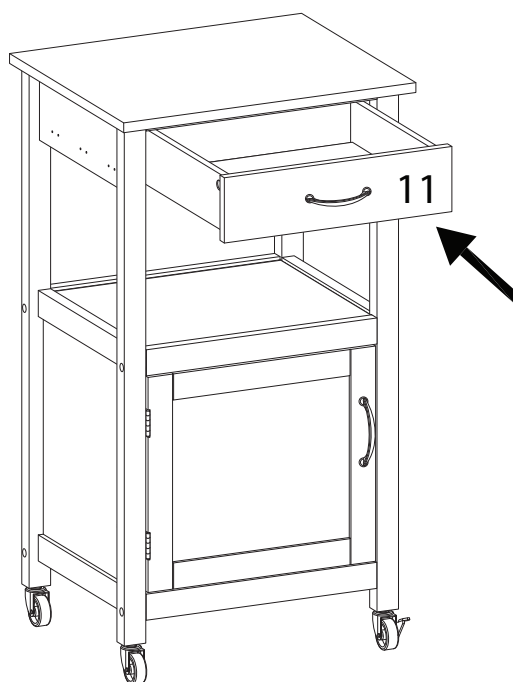
K
M3
x
14
x 4

O
x 1

P
x 1



22



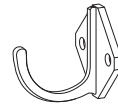
23

K



x 6

L



x 3

