

# BELMORE FREESTANDING TUB FILLER

Cat. No.  
7901



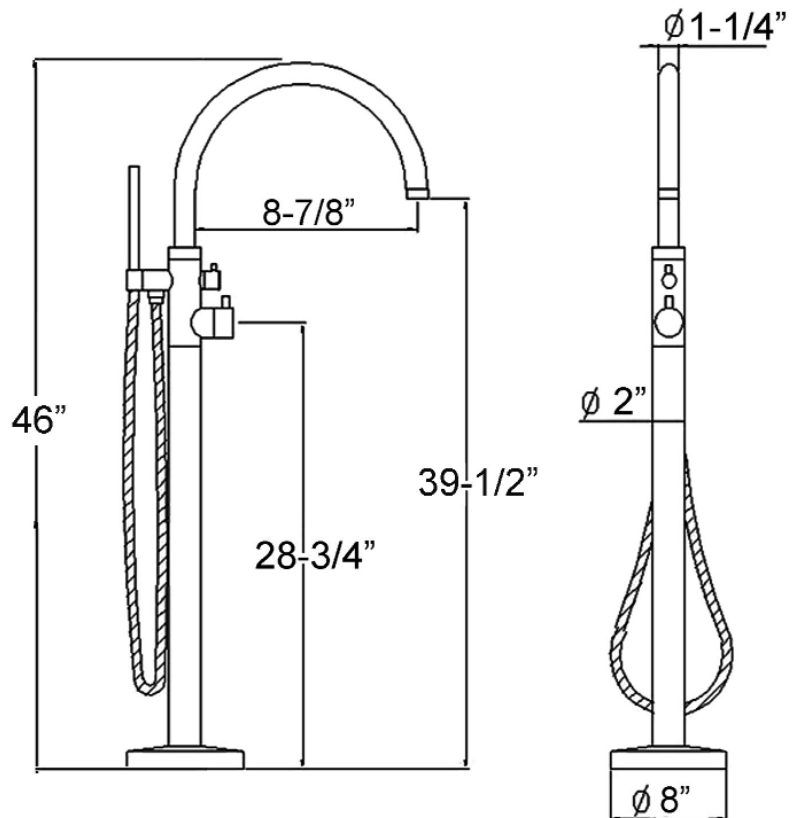
## Features:


- ▶ Gooseneck swivel spout
- ▶ Spout reach 8-7/8"
- ▶ Flow rate 6 GPM
- ▶ Flow rate handshower 2.5 GPM. Optional regulator in parts bag reduces flow rate to 2.0 GPM for CA requirements.
- ▶ 1/2" NPT connection under floor
- ▶ Includes 55" shower hose
- ▶ Mounts to wood or tile floor
- ▶ Available in 2 finishes

## Finishes:

- CP Polished Chrome
- BN Brushed Nickel

W: 8"  
H: 46"



 **WARNING:** This product can expose you to chemicals, including lead which is known to the State of California to cause cancer or birth defects or other reproductive harm, for more information, go to [www.p65warnings.ca.gov](http://www.p65warnings.ca.gov)

**Use on concrete floors requires special installation. We recommend using a plumbing professional.**

Dimensions are nominal and may vary. Dimensions and specifications subject to change without notice.

08/23/2018

P 847•244•1234

[www.barclayproducts.com](http://www.barclayproducts.com)