



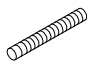



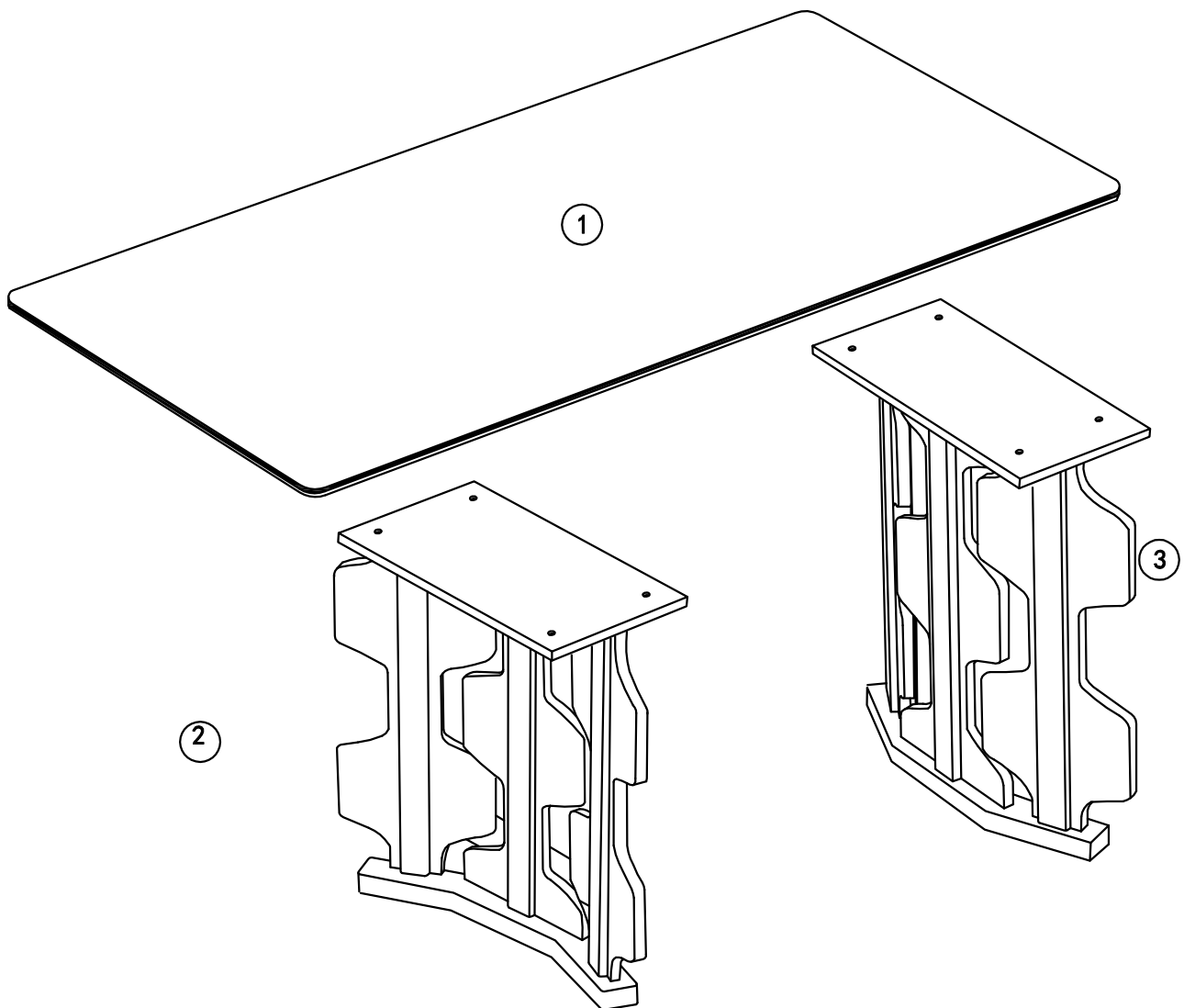


ASSEMBLY INSTRUCTION FOR

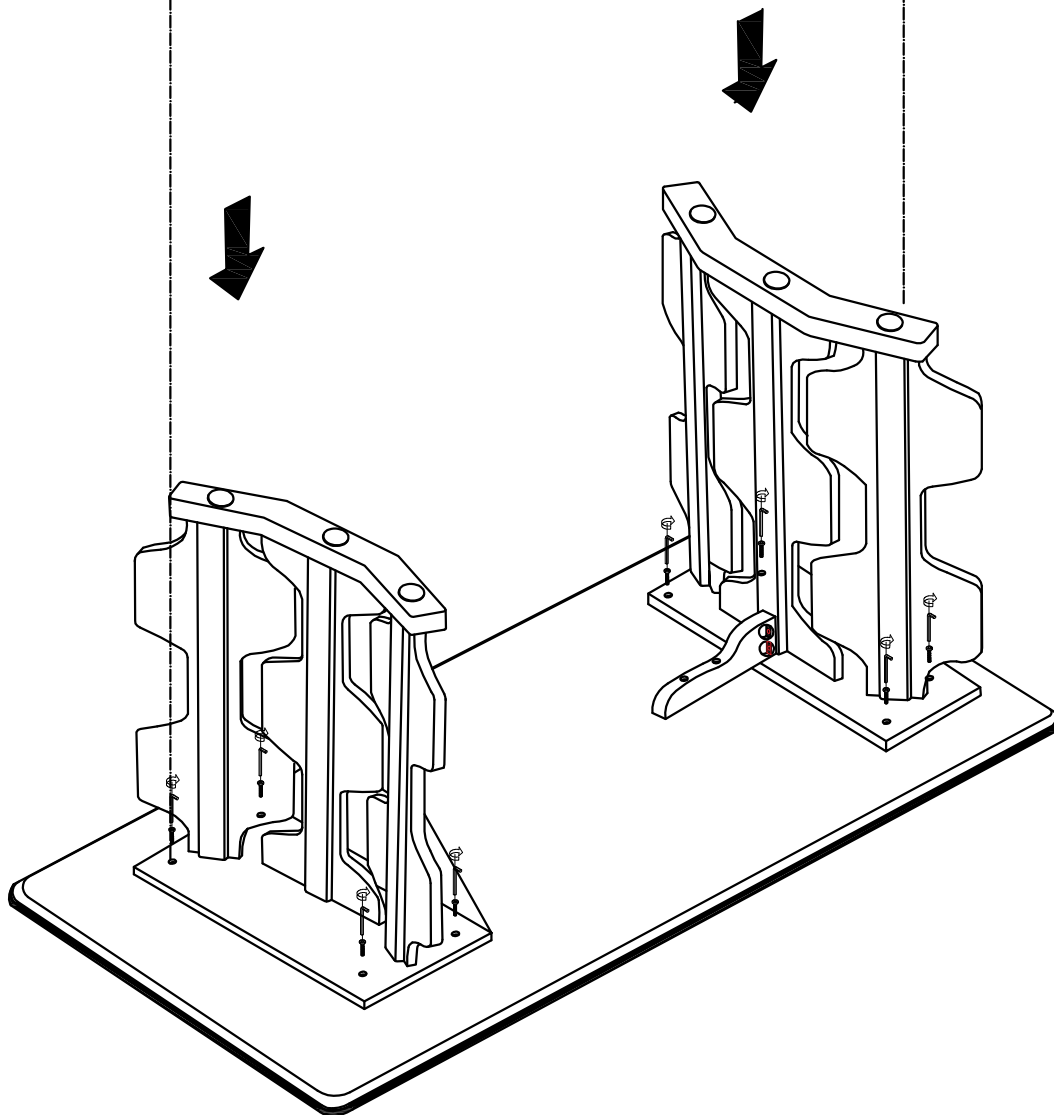
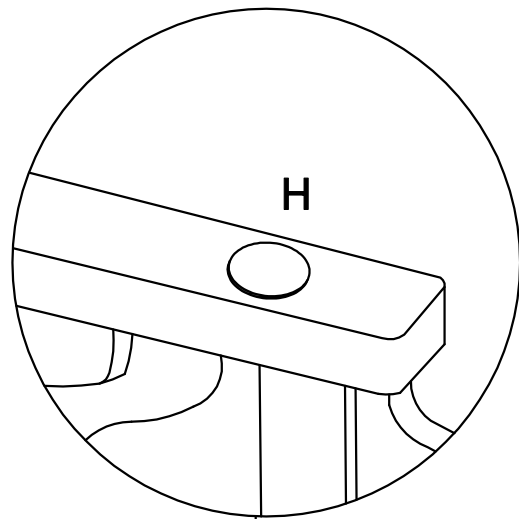
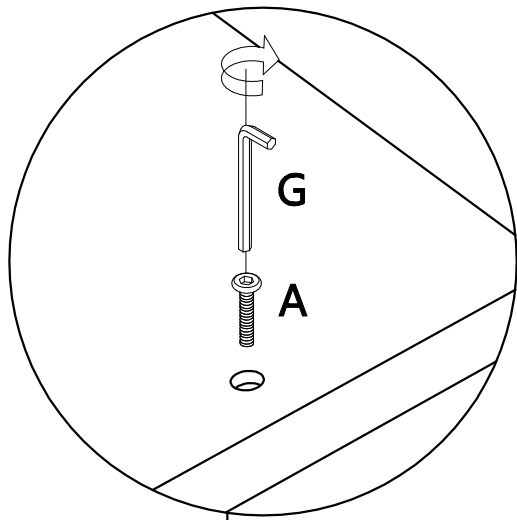
DINING TABLE

Hardware List

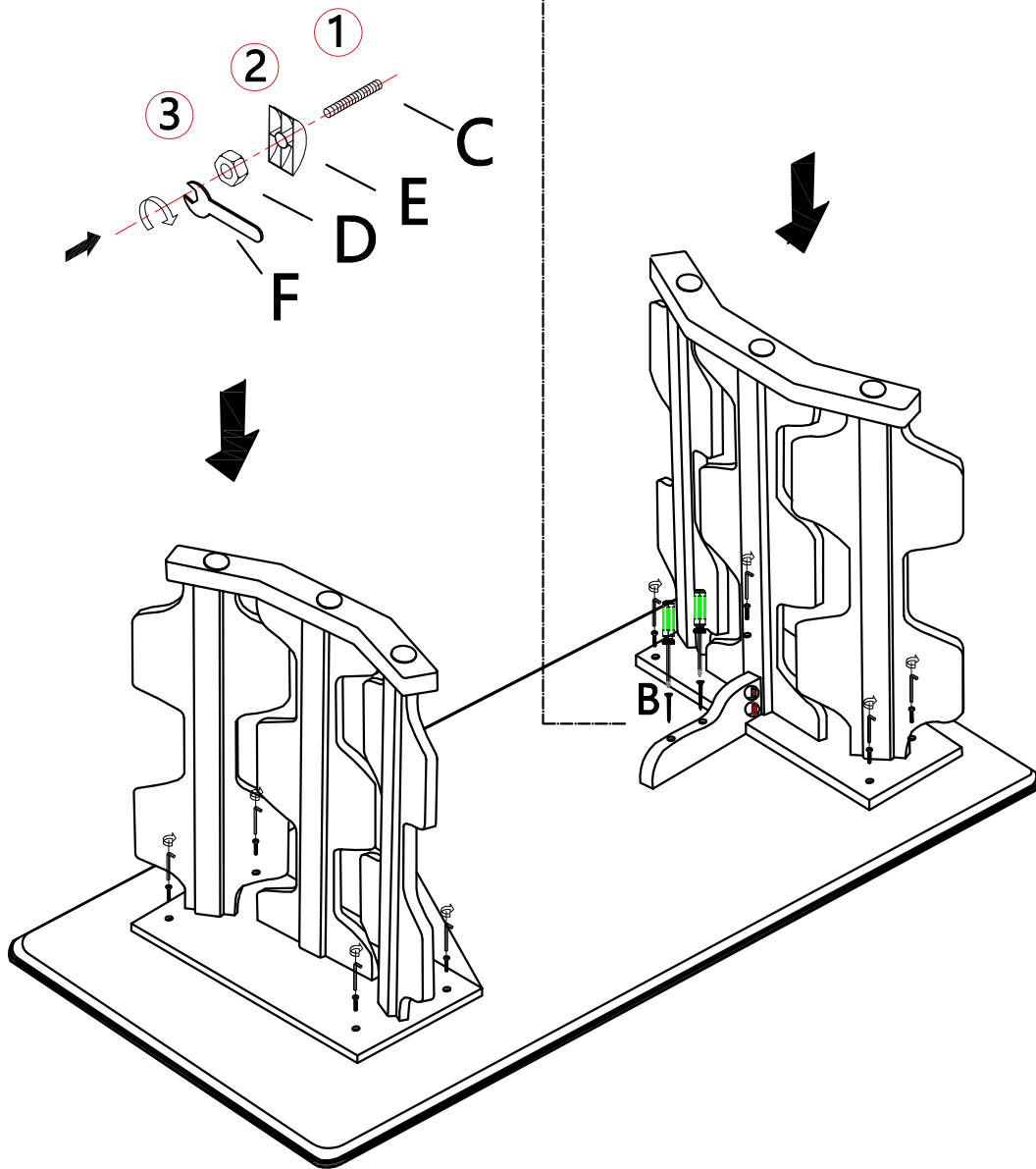
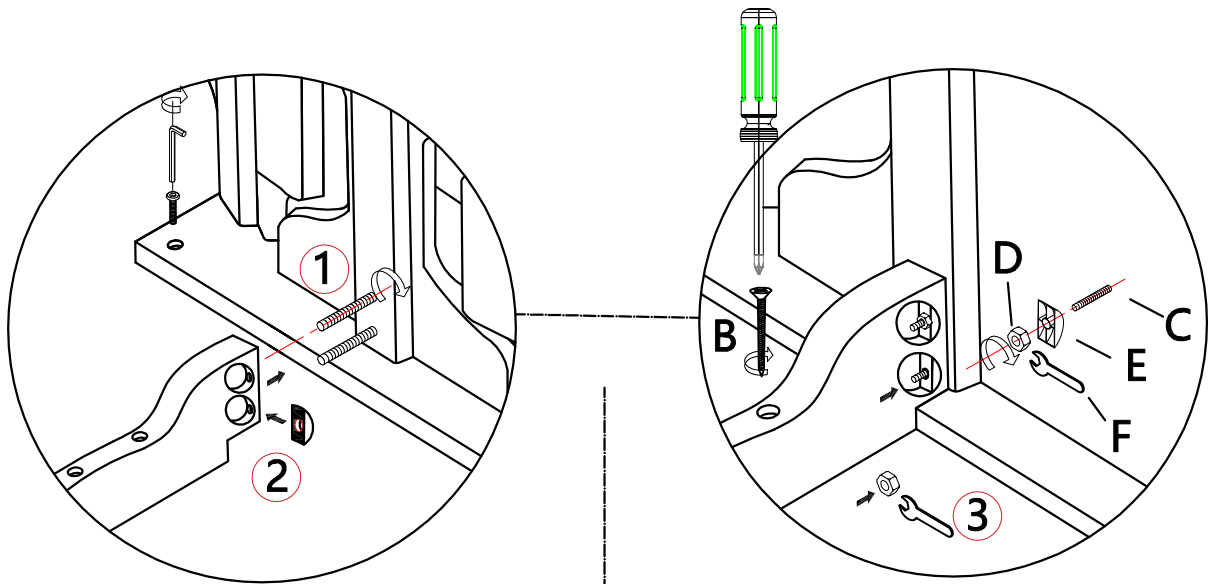
A		Bolt	8x30mm	8	E		Half-moon cushion		4
B		Self-tapping screw	4x60mm	4	F		wrench		1
C		Screw rod	8x70mm	4	G		Socket wrench		1
D		Hexagon nut		4	H		Self-Adhesive Furniture Pads		6



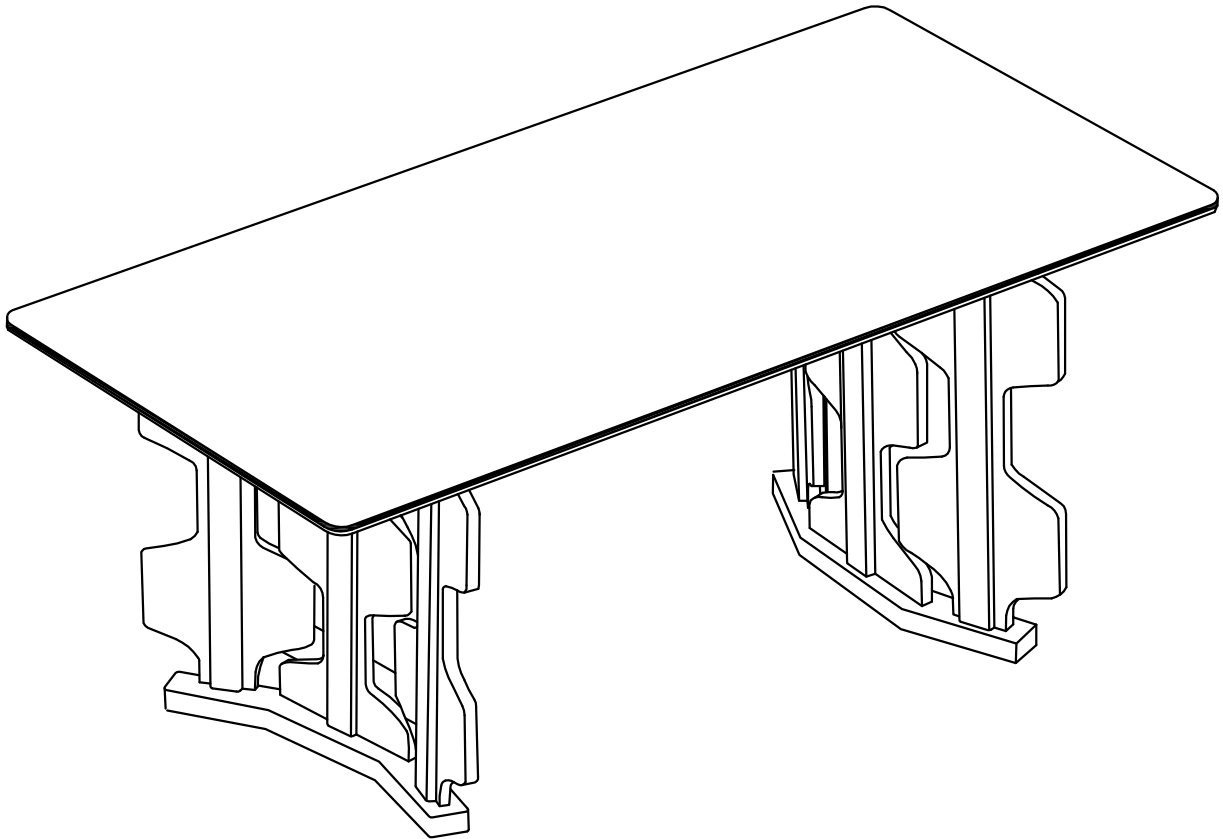
Step 1



Step 2



Step 3



Self-Adhesive Furniture Pads

Your furniture has been expertly crafted and re-adjusted by professionals. However, slight shifts can occur during transportation. If you notice that the furniture wobbles, applying felt pads will ensure stability and maintain a flawless appearance.

Check for stability - Place the furniture in its final position on a level surface. If it wobbles or doesn't sit evenly, simply place the self-adhesive furniture Pads under the uneven legs.