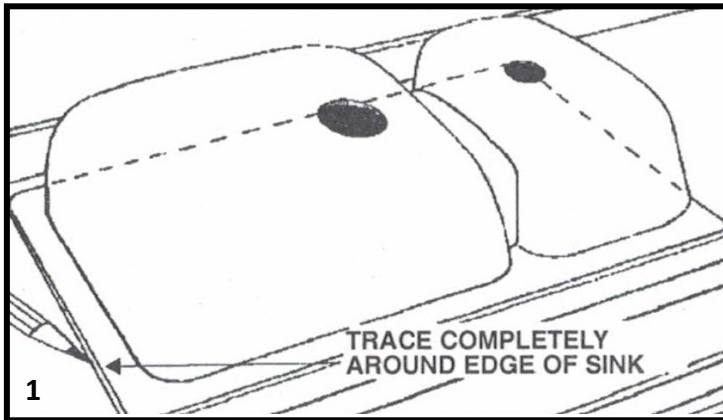
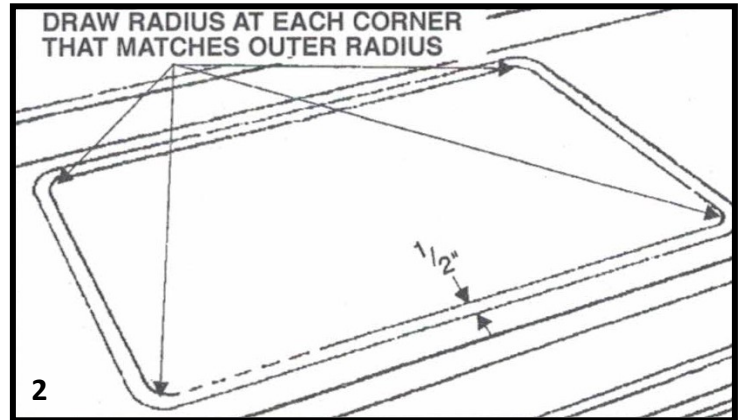


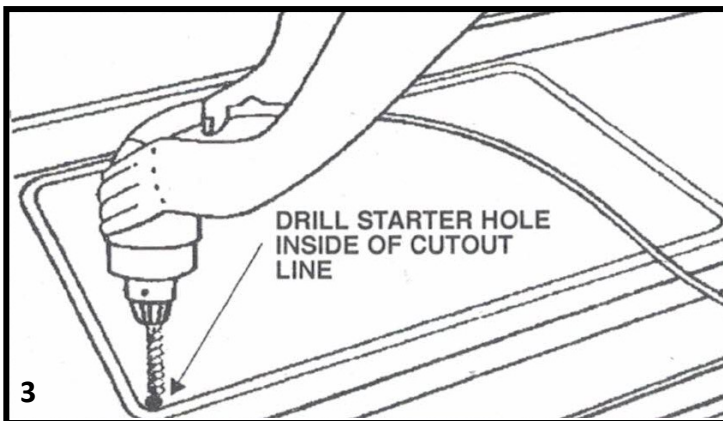
- Read these instructions thoroughly before you begin.
- Always inspect sink closely for damage prior to installing. Do not install a damaged sink.
- Take care when handling stainless steel sinks as they may have sharp edges.
- Take care when handling quartz sinks as they are heavy.
- Adhere to all local building and plumbing codes.



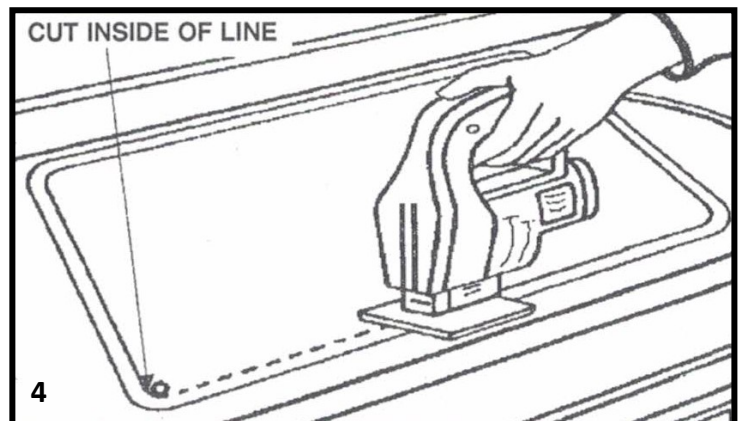
If a paper template has been provided, follow the instructions on the template. If no template is available, use the sink as your template. Place sink upside down in the position where sink is to be installed. Pay attention to backsplash and sink cabinet constraints such as tip-out trays. Trace around the sink.



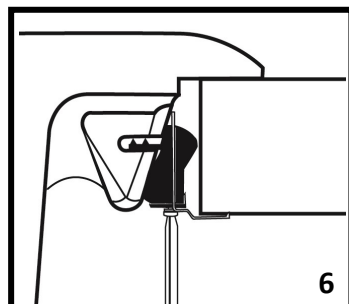
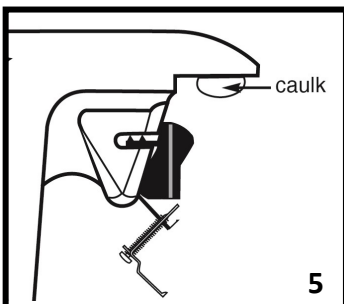
Draw a second line 1/2" inside of the outside perimeter line. This will be your cut line.



Drill a starter hole just inside of the cut line.



Use a jigsaw to make the cutout. If you are using a countertop material other than laminate, you will need to use the appropriate router and hard surface template to accomplish the cutout.



Attach supplied clips to the anchor points on the underside of the sink rim. Styles of clips may vary by sink type. Place a bead of a good quality silicone on the underside rim of the sink. Locate the sink correctly in the cutout in the countertop and tighten the sink clips. Wipe up excess silicone with a damp rag.

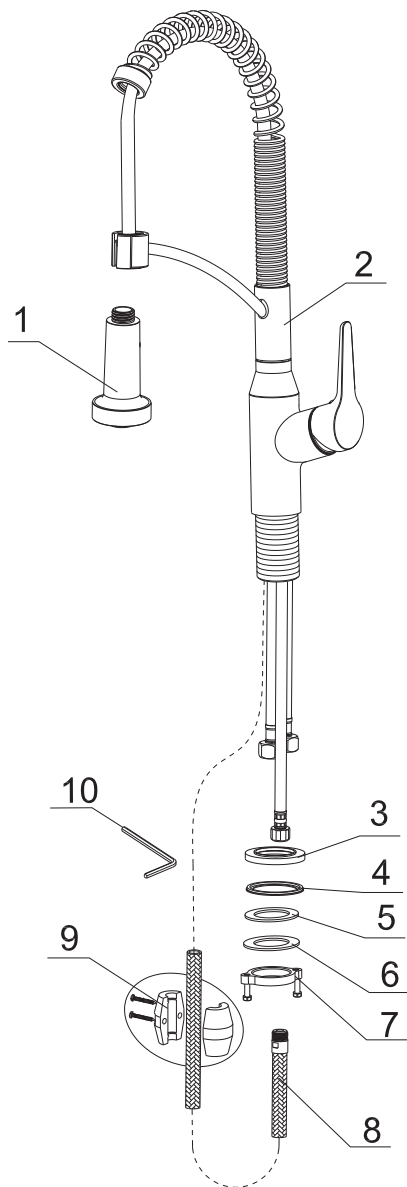
# Karran<sup>®</sup>

## INSTALLATION GUIDE

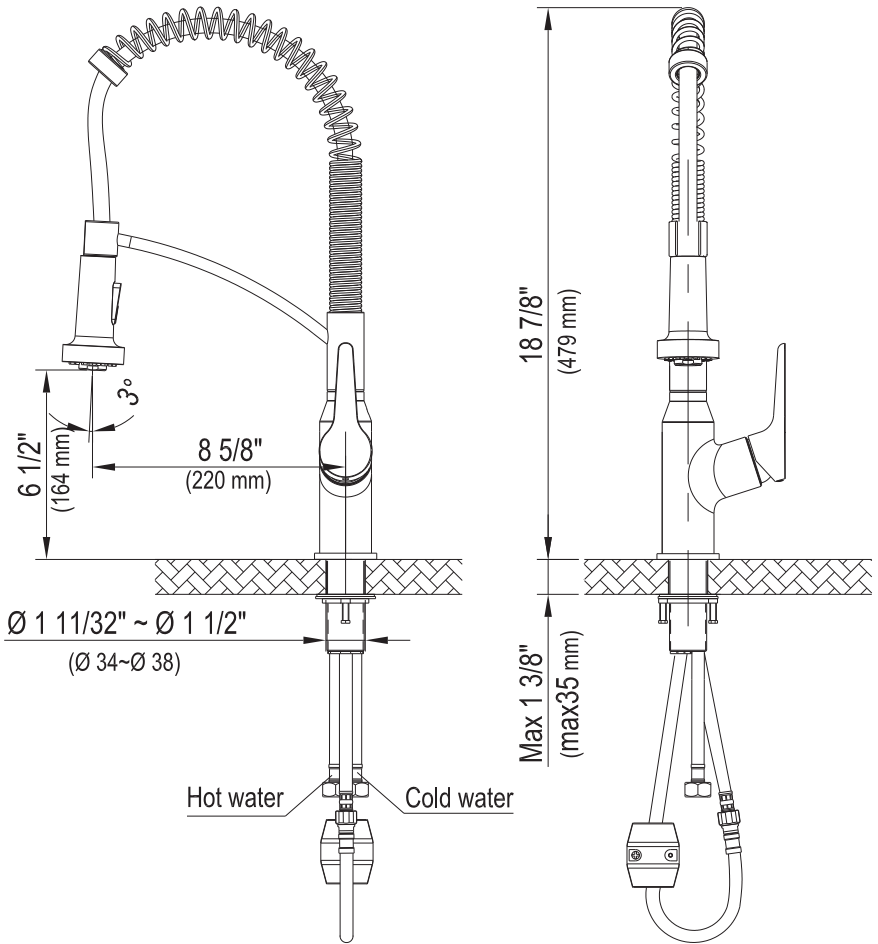


### Scottsdale

**Models:**   KKF210C                   KKF210SS  
              KKF210MB           KKF210GG  
              KKF210BG

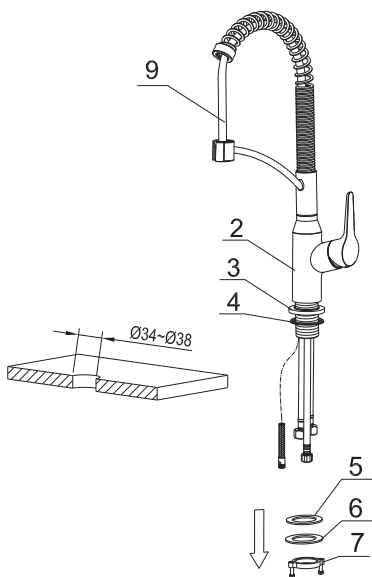


The Component List	Qty.
1. Spray Head	1
2. Main Body	1
3. Base	1
4. Rubber Washer A	1
5. Rubber Washer B	1
6. Metal Washer	1
7. Mounting Hardware	1
8. Spray Hose	2
9. Weight	1
10.Hex Wrench	1



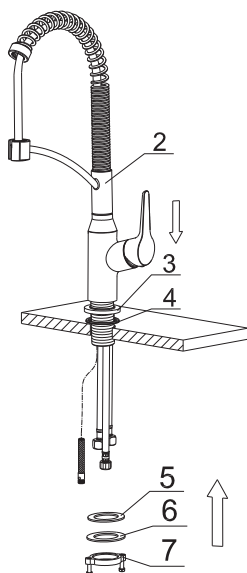
# INSTALLATION GUIDE

## STEP 1



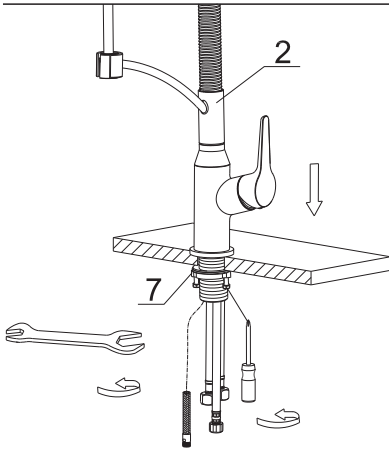
1. Remove the mounting hardware(7), metal washer(6) and rubber washer B(5) from the main body(2);

## STEP 2



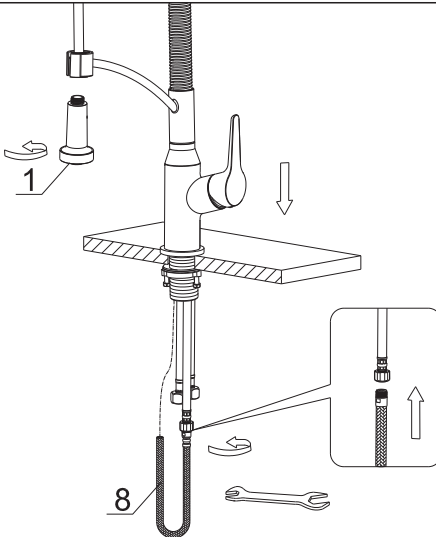
2. Insert the main body into hole with the base(3) and rubber washer A(4). Refix the rubber washer B(5), metal washer(6) and mounting hardware(7) from the bottom.

## STEP 3



3. After adjusting the direction of the main body(2), tighten the mounting hardware(7) with hands and tighten the screws with a Philips screwdriver.

## STEP 4



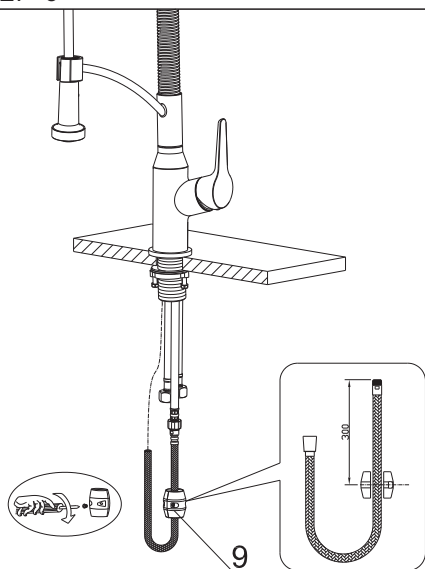
4. Connect the spray hose(8) and spray head(1) to finish installation.

# INSTALLATION GUIDE

---

## STEP 5

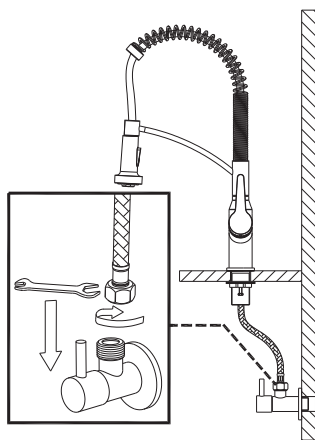
---



5. Attach the weight(9) on the spray hose(8).

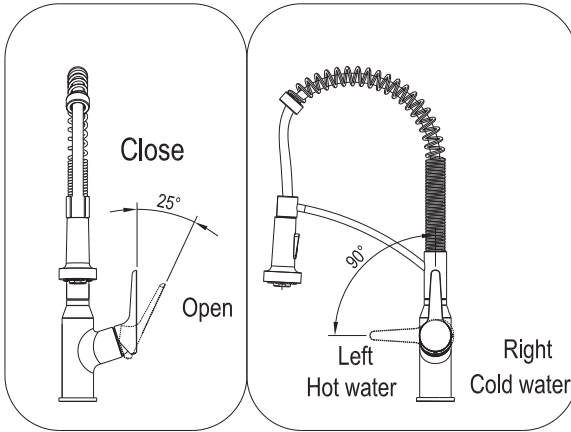
## STEP 6

---



6. Connect the waterlines to outlet tightly. Turn on the outlet and check for leaks.

## How to operate the handle:

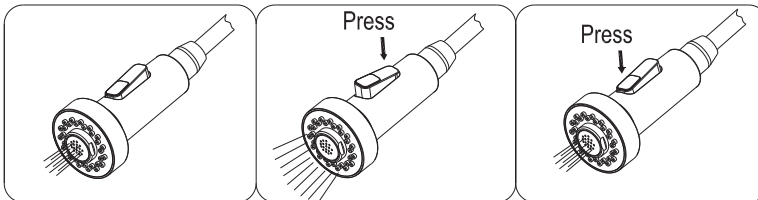


- 1) Open the handle lever to turn water on. Push to turn off.
- 2) Turn the handle lever to the left to increase hot water flow with higher water temperature, while lower the water temperature by operating reversely.

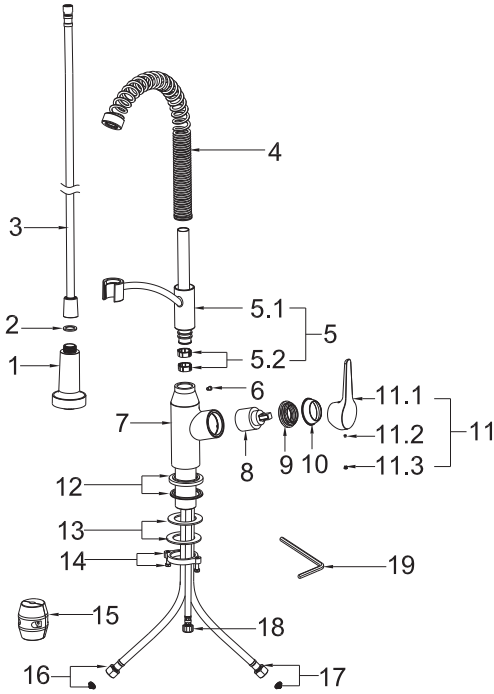
## Spray

The operation of the spray diverter:

- 1) When first turned on, water comes from aerator.
- 2) Press button back, water comes from nozzles.
- 3) Press button front, water comes from aerator.
- 4) Diverter button automatically returns to normal position once handle closed .



# REPLACEMENT PARTS



No.	Description	Finishes/Colors	Item No.
1	Spray	C, SS, MB, GG, BG	500301912**
2	Washer		70020038930
3	Spray Hose	C, SS, MB, GG, BG	500401612**
4	Spring Assembly	C, SS, MB, GG, BG	500600410**
5	Spray Support Assembly	C, SS, MB, GG, BG	400601991**
6	Set Screw		50060033800
7	Main Body	C, SS, MB, GG, BG	100300519**
8	35A Cartridge		20060010900
9	Nut		40060199252
10	Cap	C, SS, MB, GG, BG	500101091**
11	Handle	C, SS, MB, GG, BG	200100446**
12	Base	C, SS, MB, GG, BG	500101638**
13	Rubber & Metal Washer		70020037354
14	Mounting Nuts & Screws		40060185018
15	Weight		50020066700
16	Hot Waterline		50042068521
17	Cold Waterline		50042068526
18	Supply Hose		50040196200
19	Hex Wrench		50060003700

\*\* Denotes faucet component color options:

- C - Chrome
- SS - Spot Free Stainless Steel
- MB - Matte Black
- GG - Gun Gray
- BG - Brushed Gold