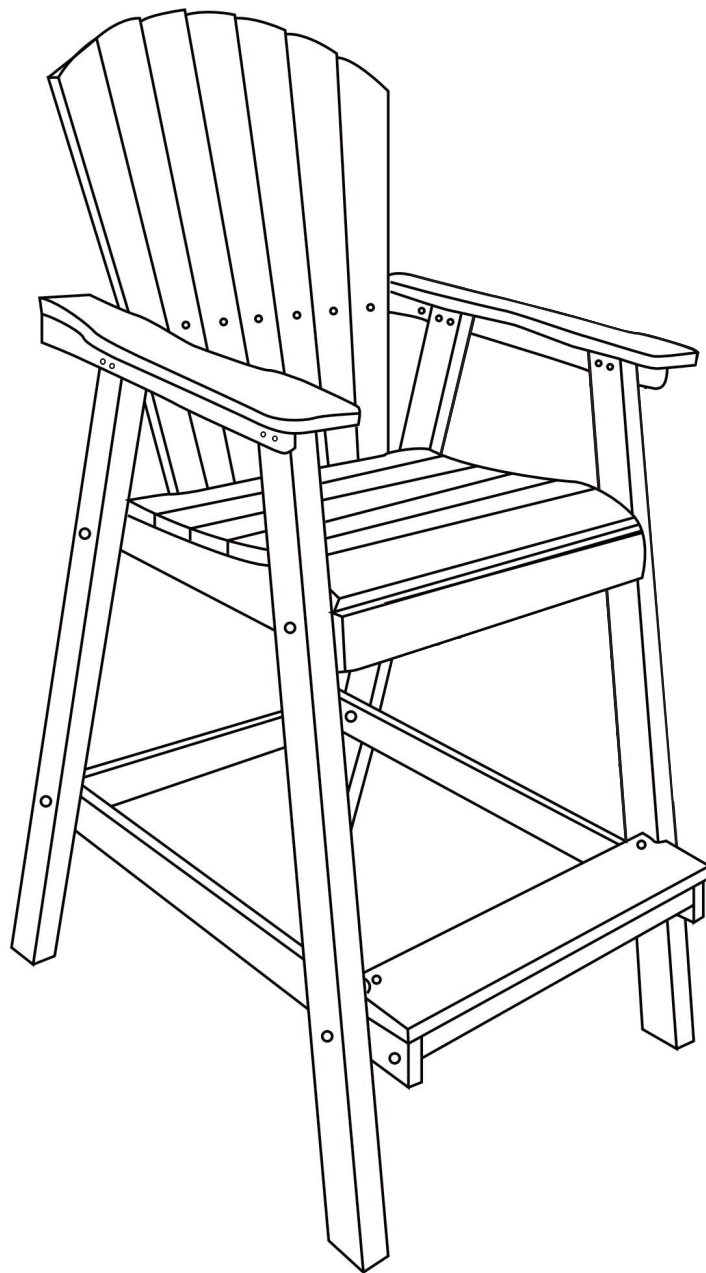


# USER'S MANUAL

Product Name: **Outdoor Adirondack Chair**



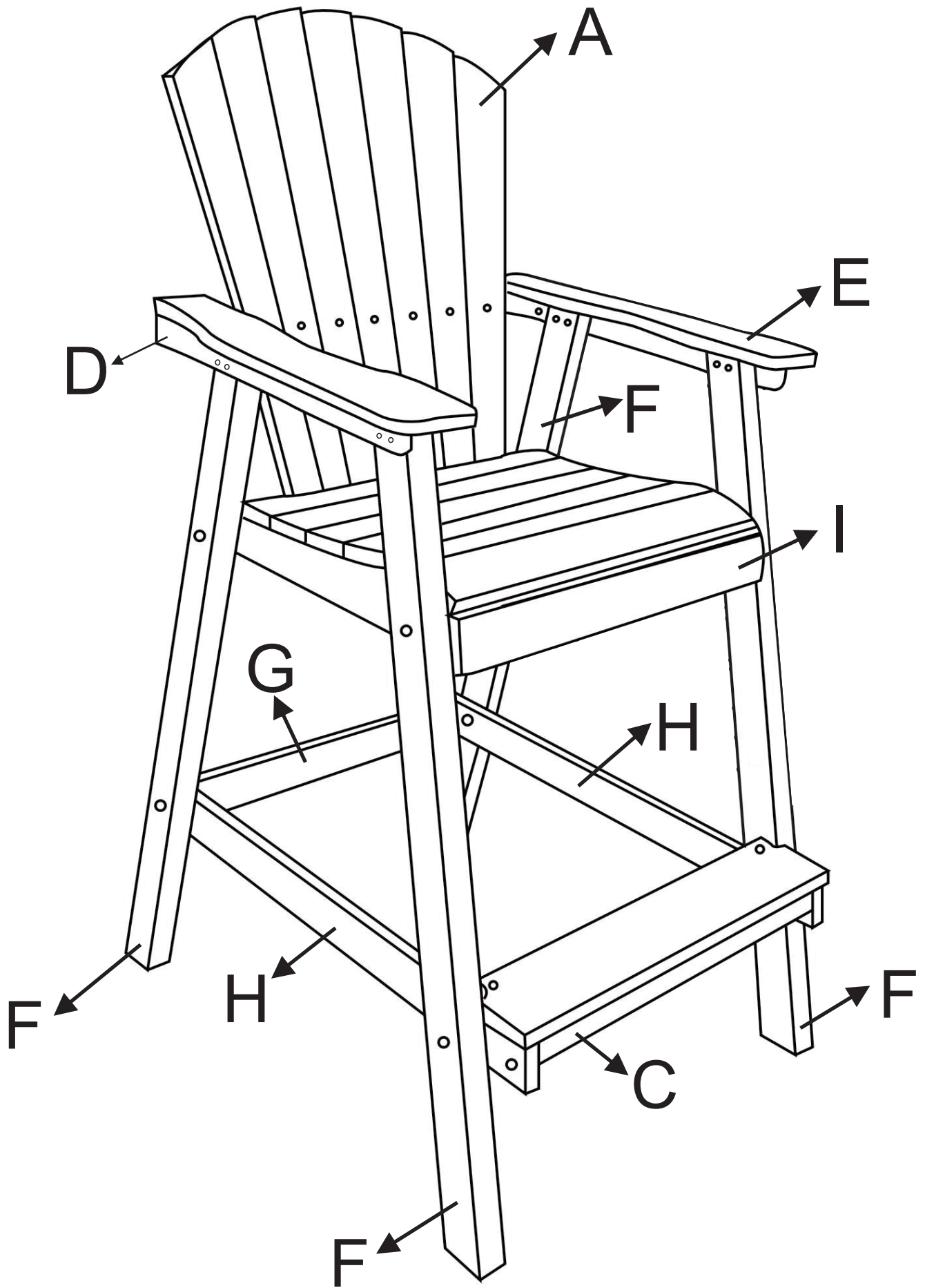
THIS INSTRUCTION BOOKLET CONTAINS **IMPORTANT SAFETY INFORMATION.**

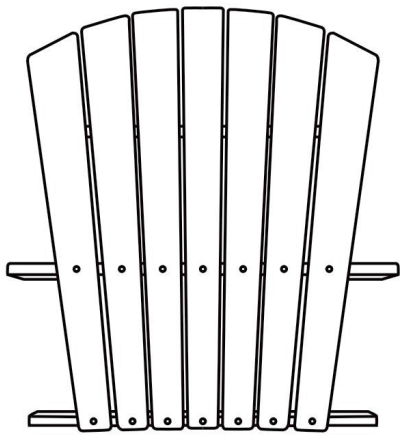
PLEASE READ AND KEEP FOR FUTURE REFERENCE.

# Before You Start

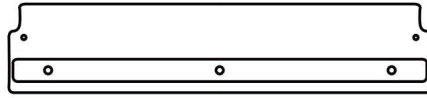
- Please read all instructions carefully.
- Retain instructions for future reference.
- Separate and count all parts and hardware.
- Read through each step carefully and follow the proper order.
- We recommend that, where possible, all items are assembled near to the area in which they will be placed in use, to avoid moving the product unnecessarily once assembled.
- Always place the product on a flat, steady and stable surface.
- Keep all small parts and packaging materials for this product away from babies and children.

# KNOW YOUR PARTS





Part Ax1



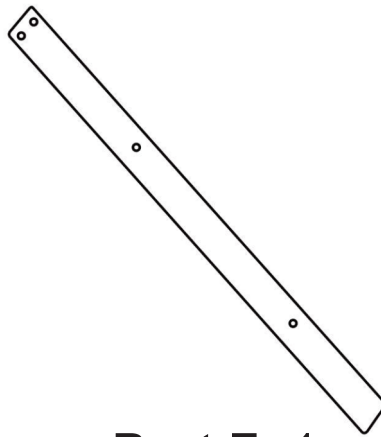
Part Cx1



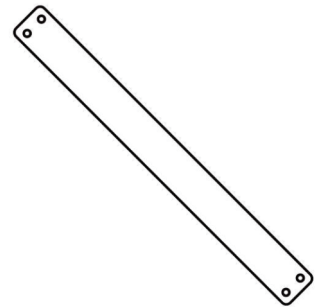
Part Dx1



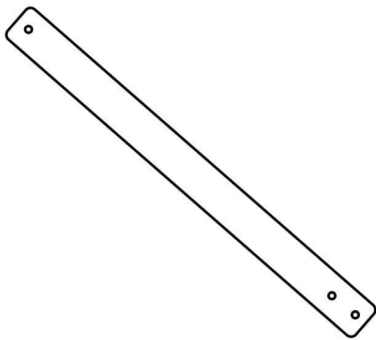
Part Ex1



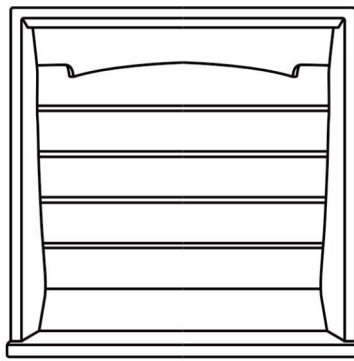
Part Fx1



Part Gx1



Part Hx2



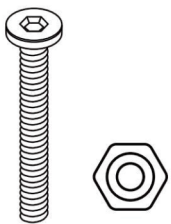
Part 1x1



Wrench A



Wrench B



Screw A(80mm)× 16  
Nut× 16



Screw D (40mm)× 10



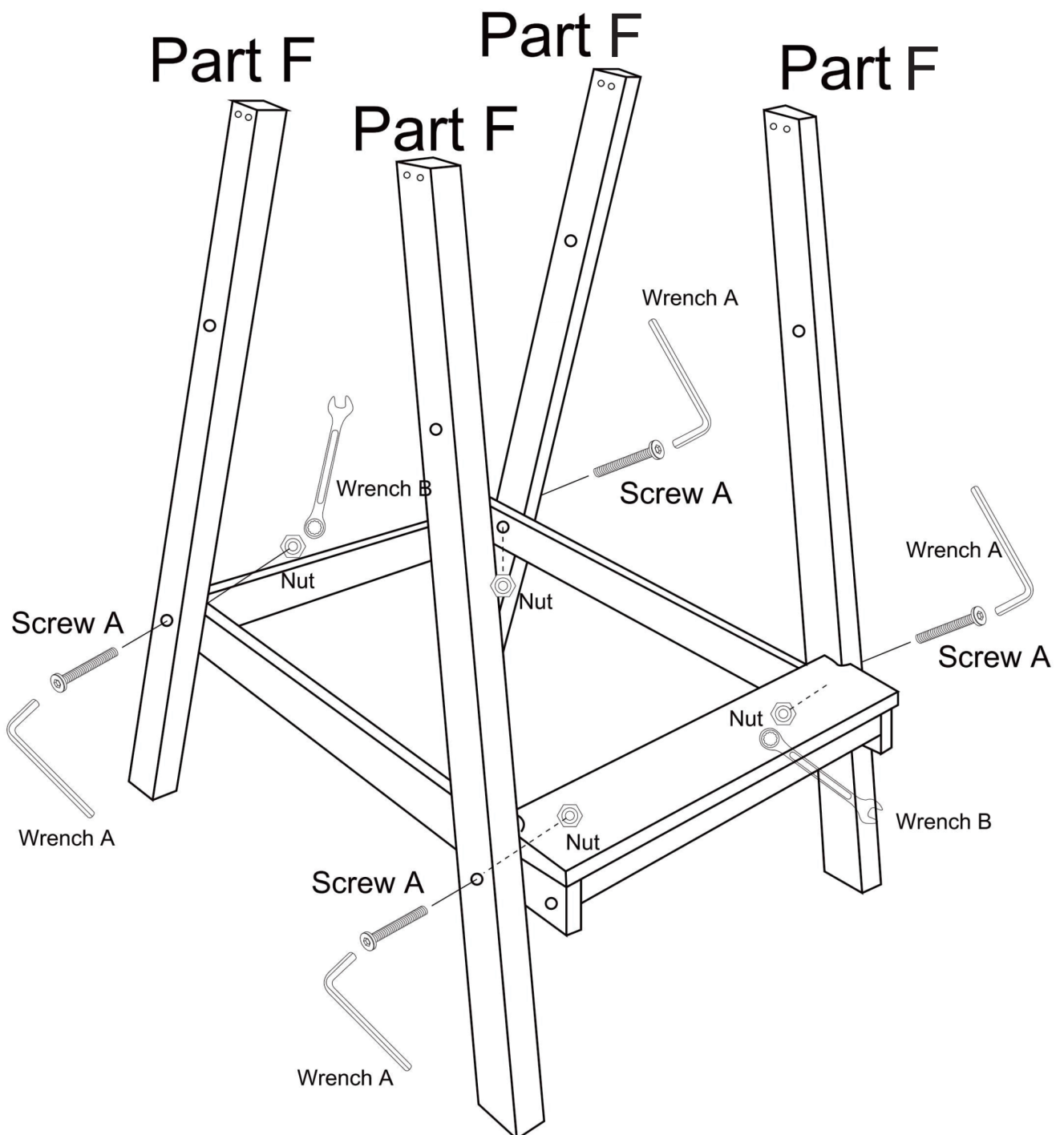
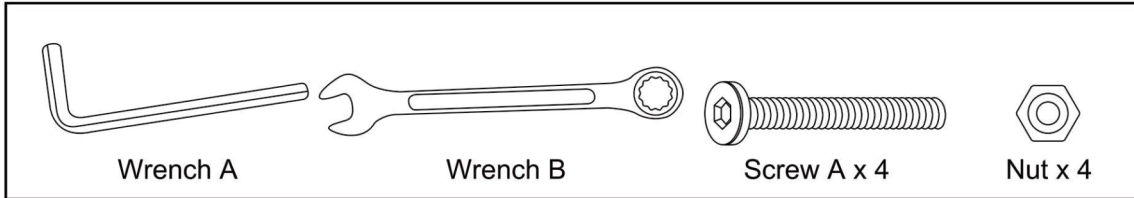
Screw J (42mm)× 2



## Step 2:

Take out part F x 4 (The side with three screw holes faces up), install them with Screw A x 4 and NUT x 4 (As shown in the figure below)

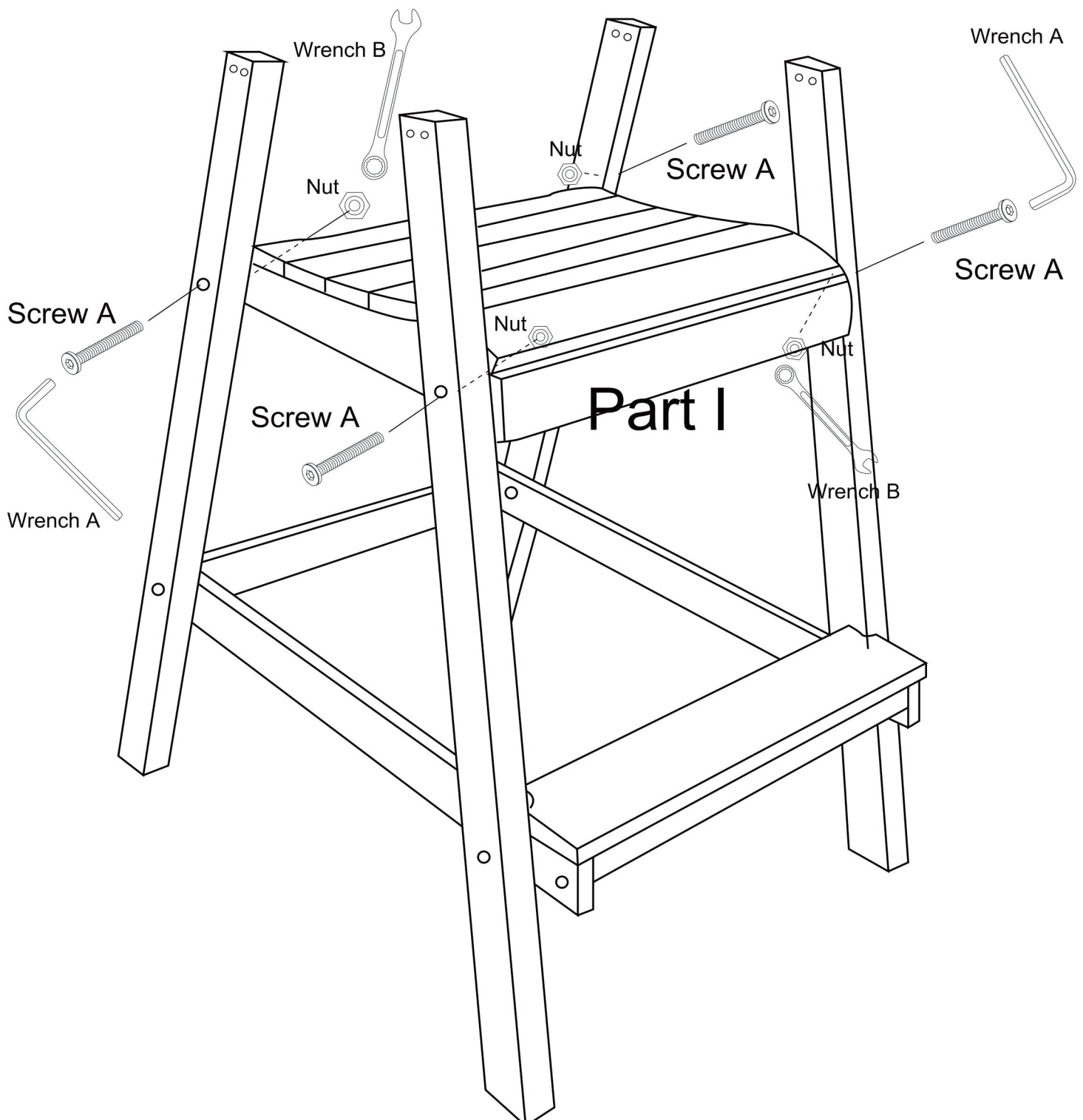
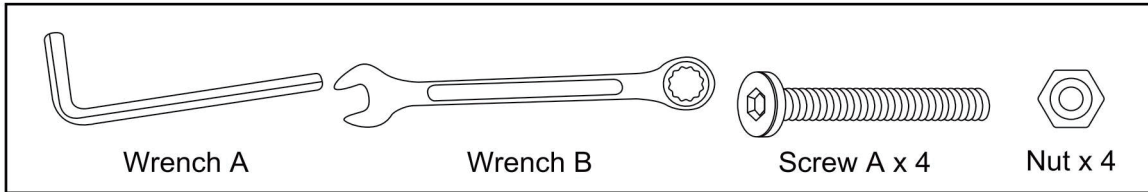
**PS: Please note that Screw A is a non-slip screw. Use a Wrench to clamp the Nut and then tighten it with a hexagon Wrench.**



### Step 3:

Take out Part I x 1, install it with Screw A x 4 and Nut x 4  
(As shown in the figure below)

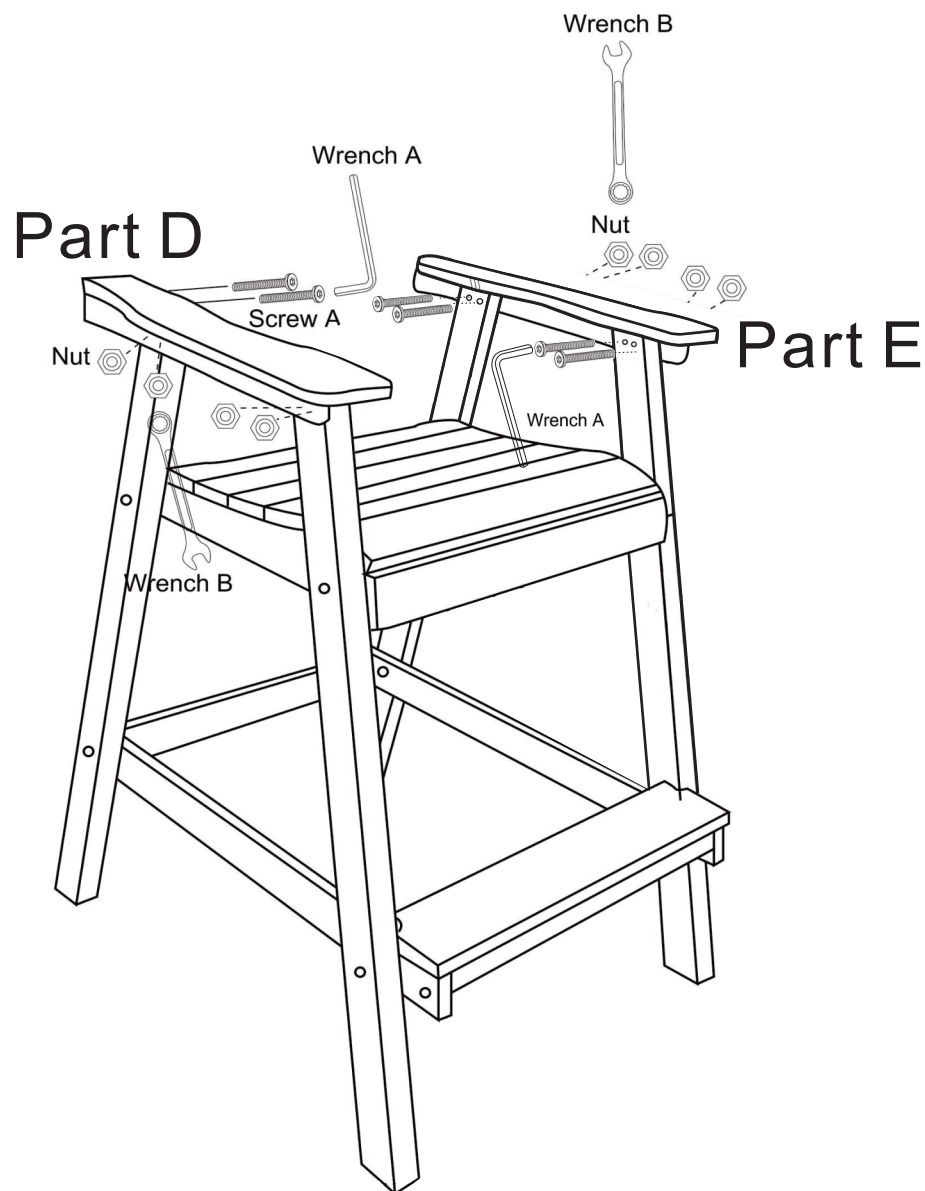
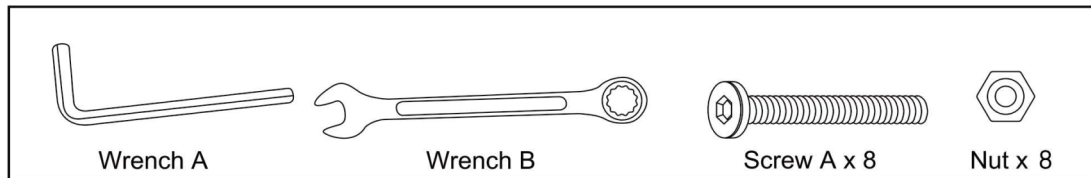
**PS: Please note that Screw A is a non-slip Screw. Use a Wrench to clamp the Nut and then tighten it with a hexagon Wrench.**



## Step 5:

Take out PartDx1 and PartEx1, install them with ScrewAx8 and (As shown in the figure below).

**PS: Please note that Screw A is a non-slip Screw. Use a Wrench to clamp the Nut and then tighten it with a hexagon Wrench.**



## Step 6:

Take out PartAx1 ,install it with ScrewDx2 and ScrewJx2 (As shown in the figure below).

