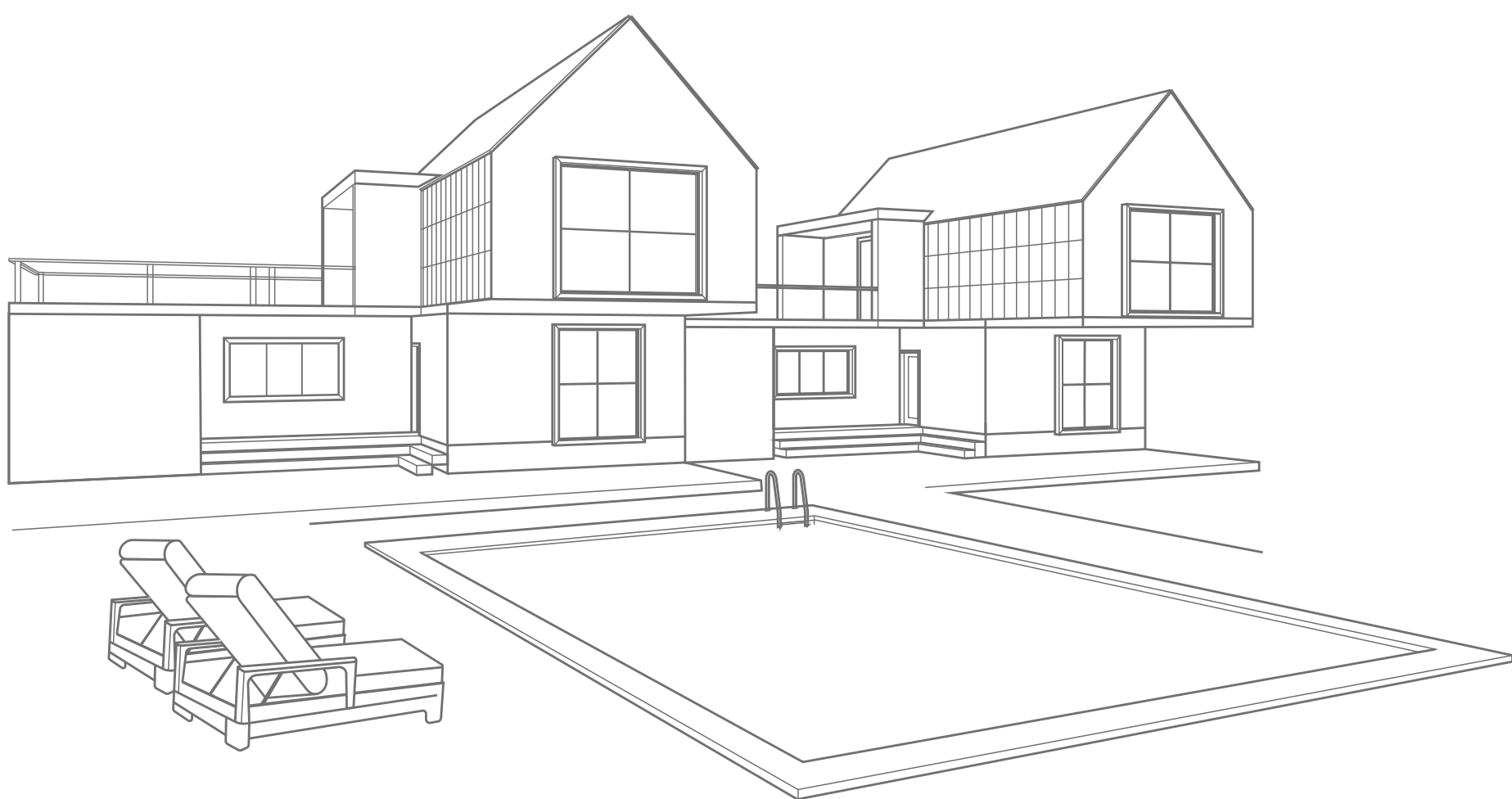


# Corner Bookshelf

Product ID. QCRJG

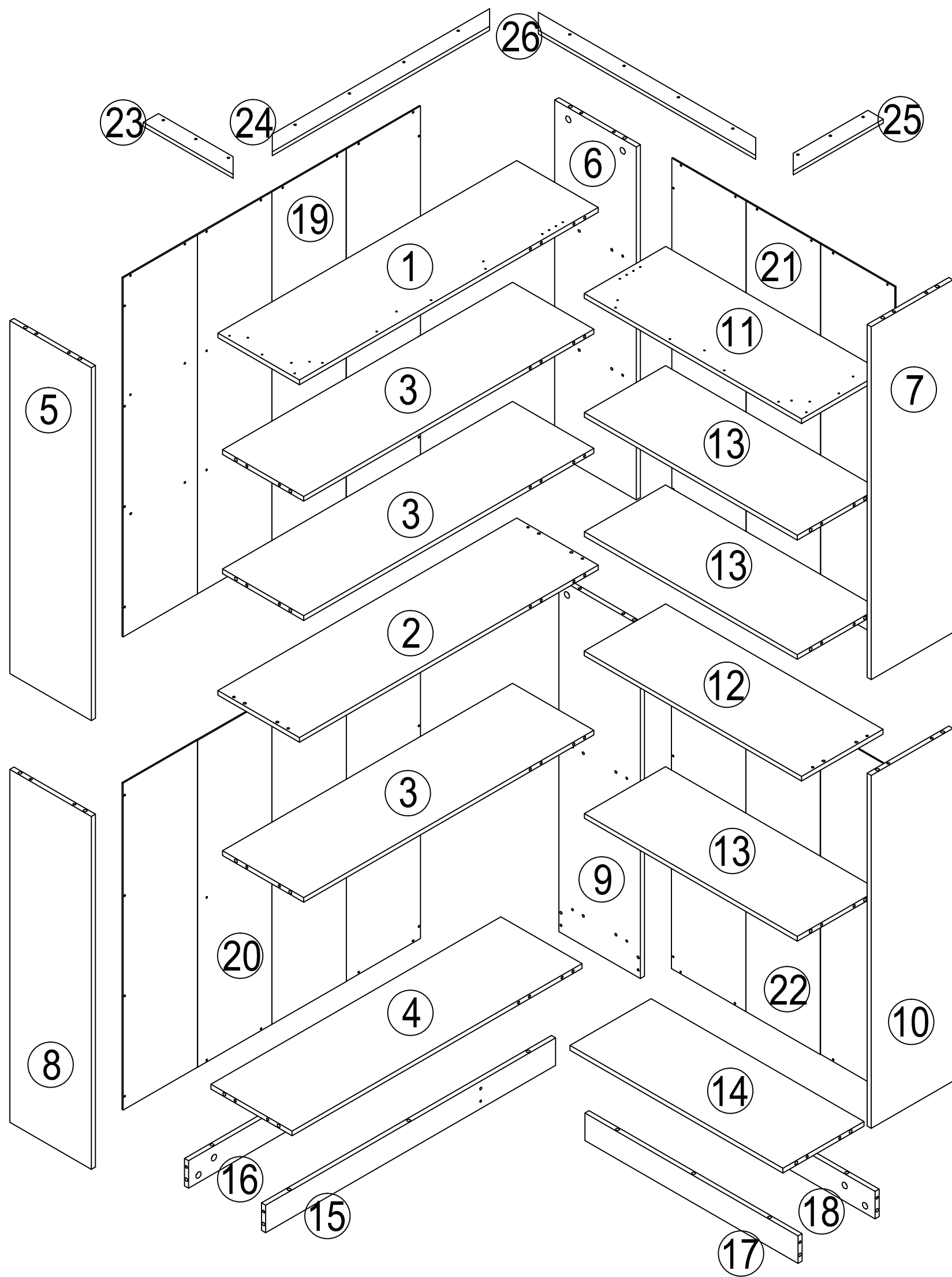


Scan for Support

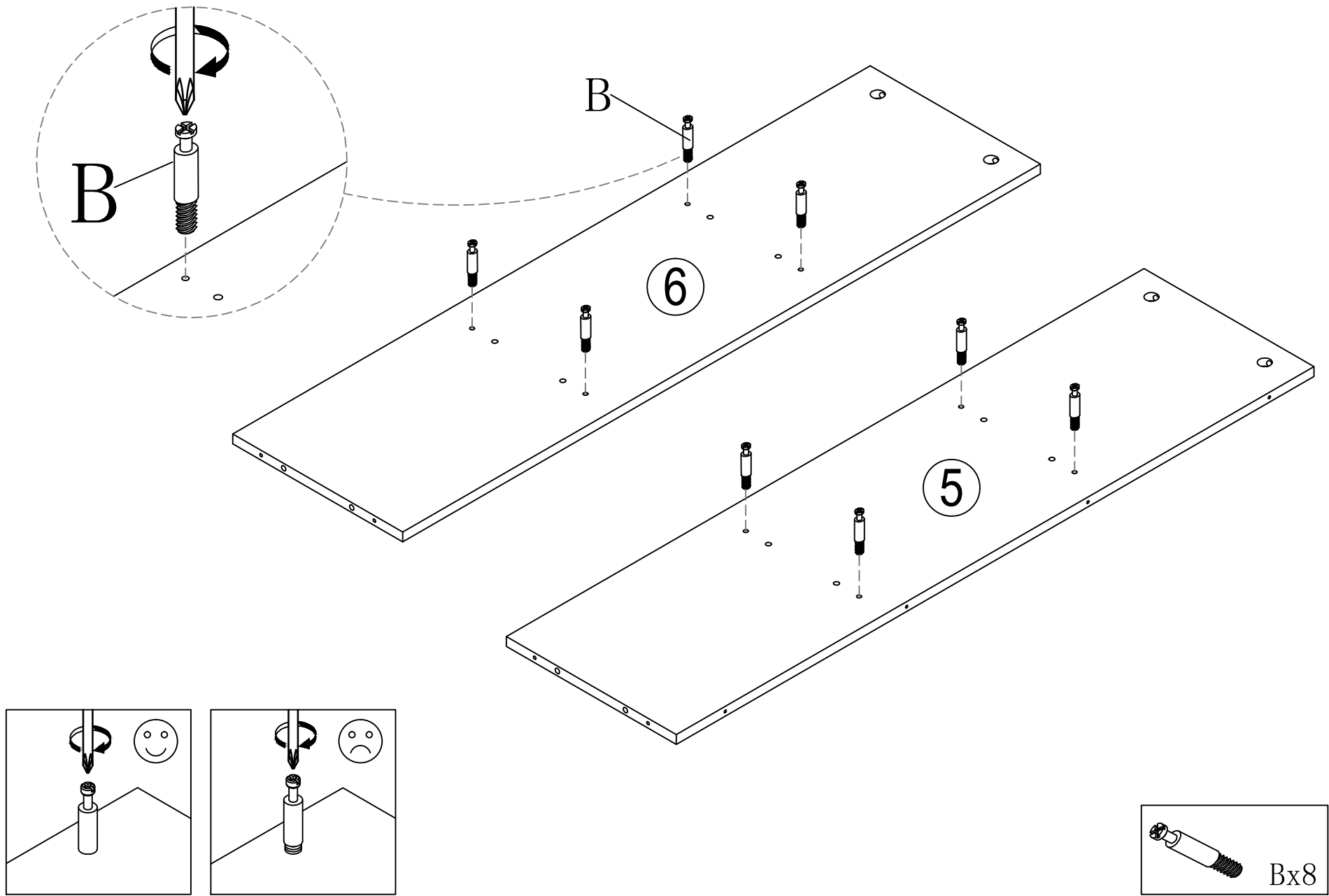


Distributed by  
**GARVEE**.com

support@garvee.com

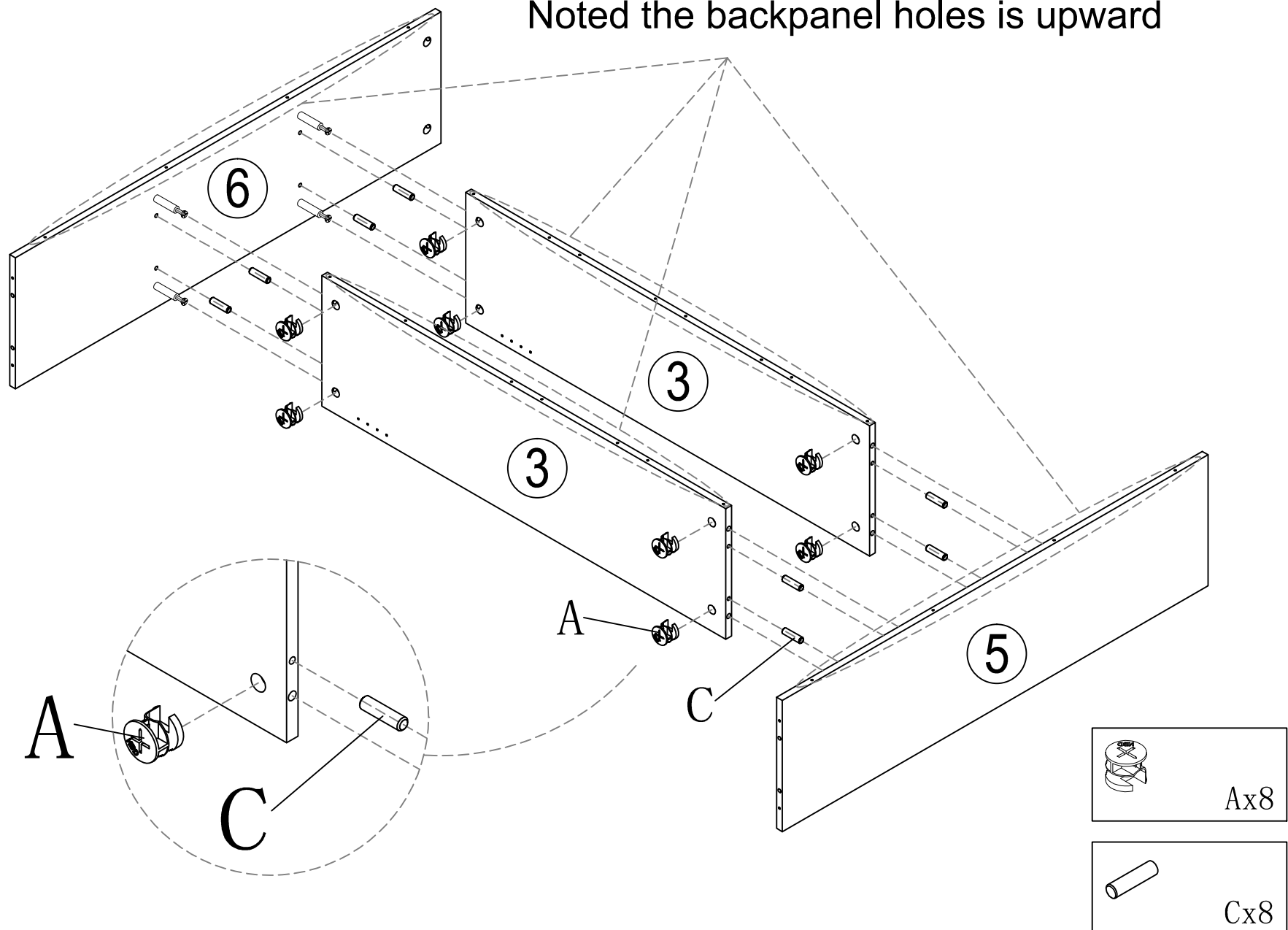


# STEP 1

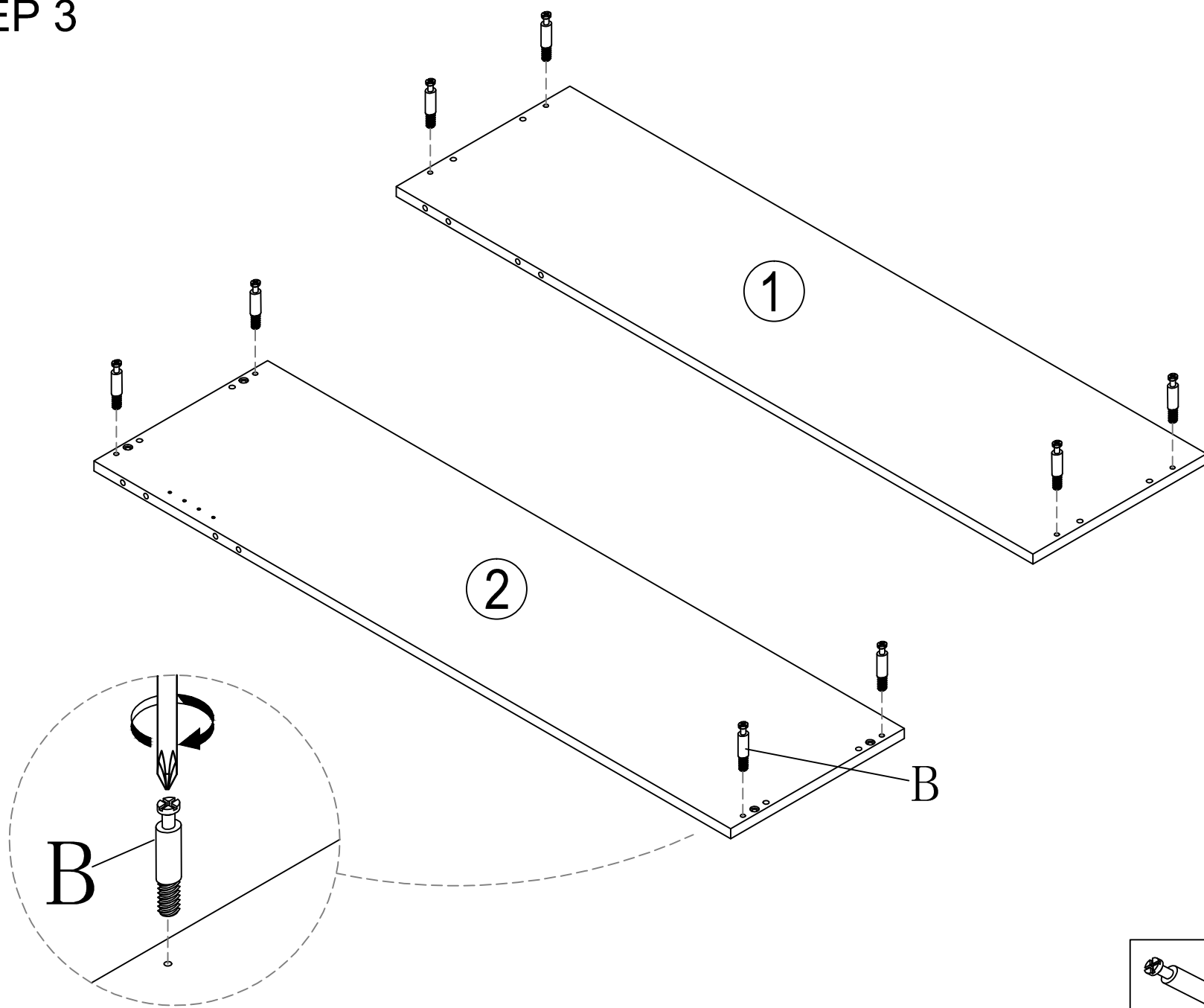


# STEP 2

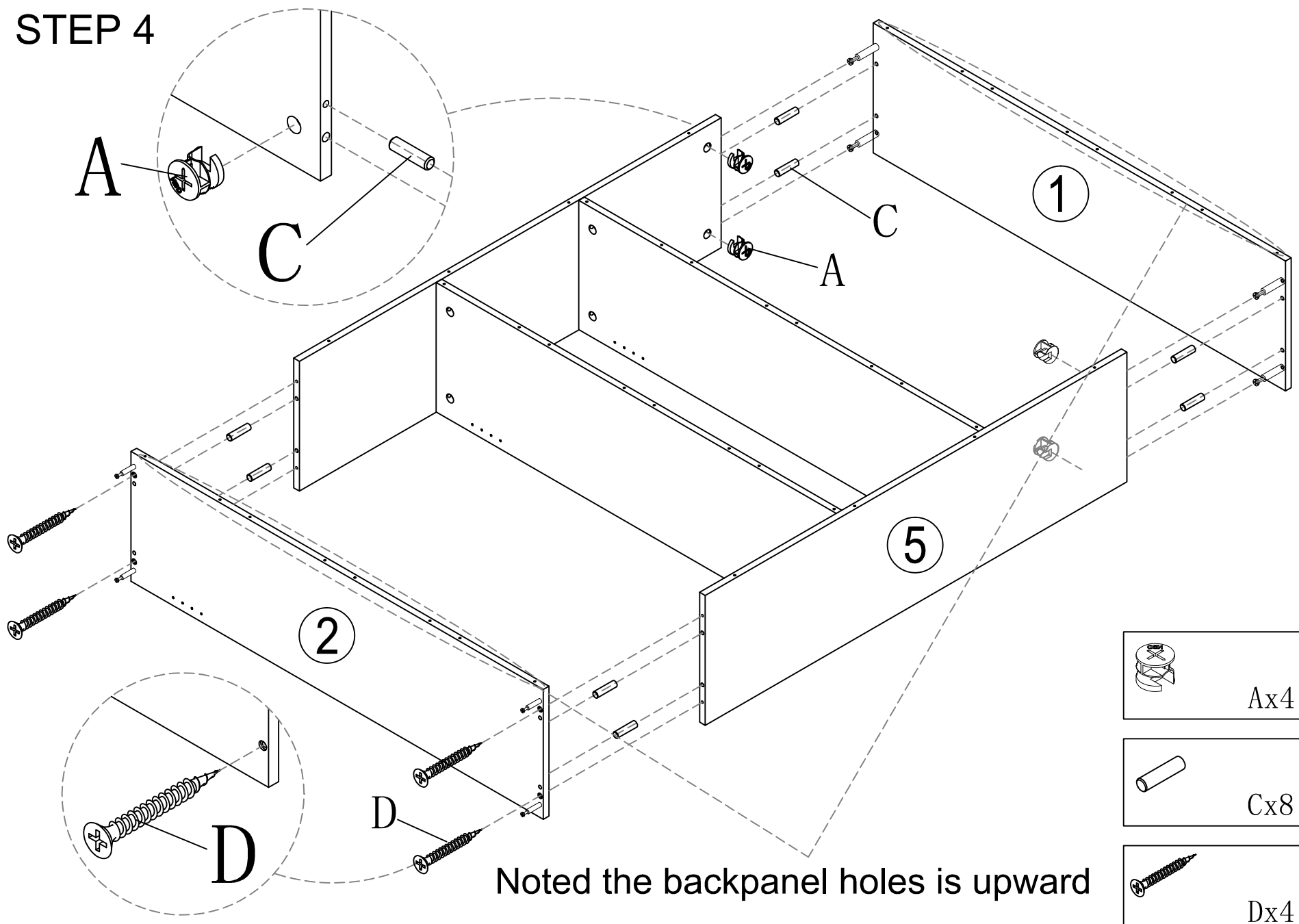
Noted the backpanel holes is upward



# STEP 3

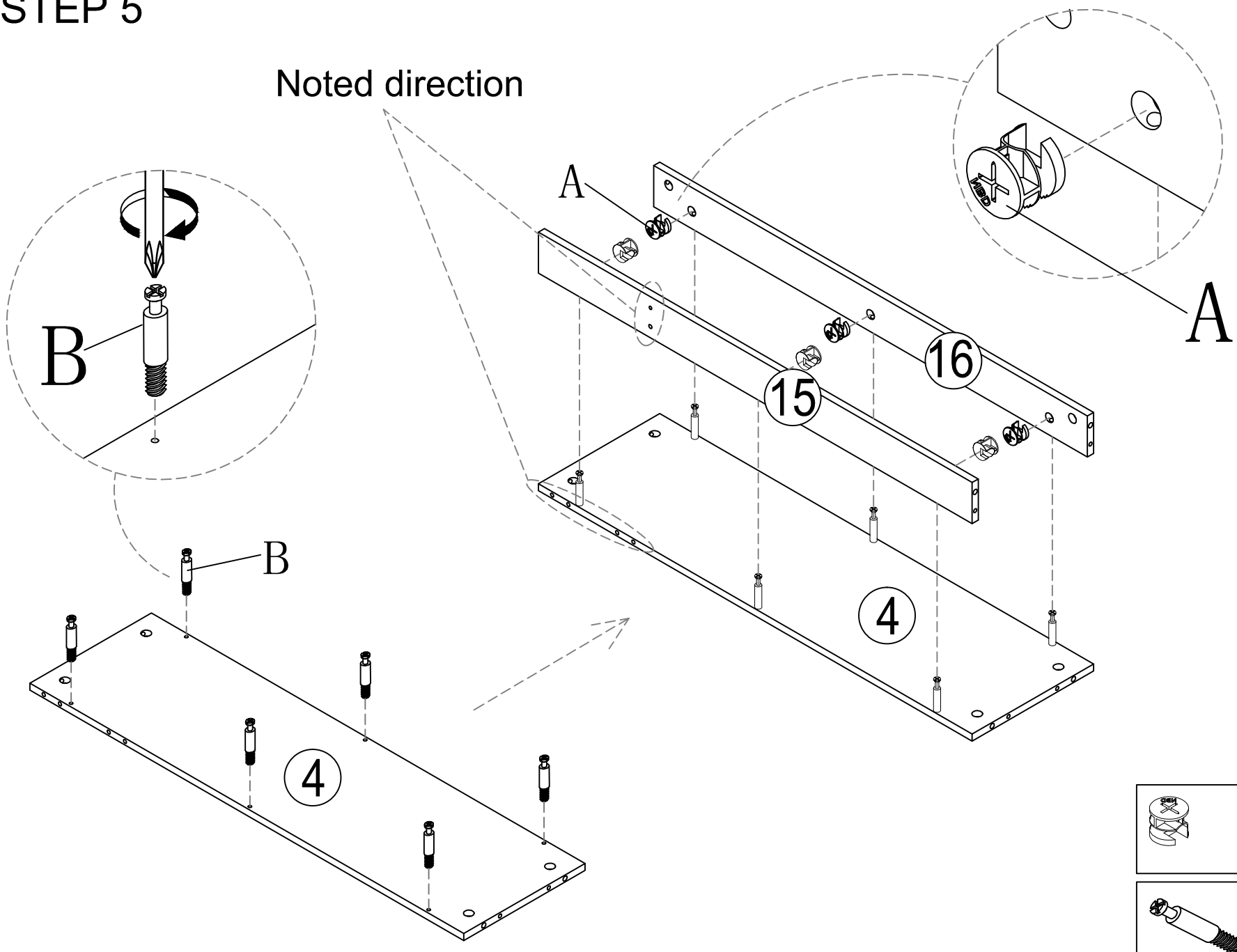


# STEP 4

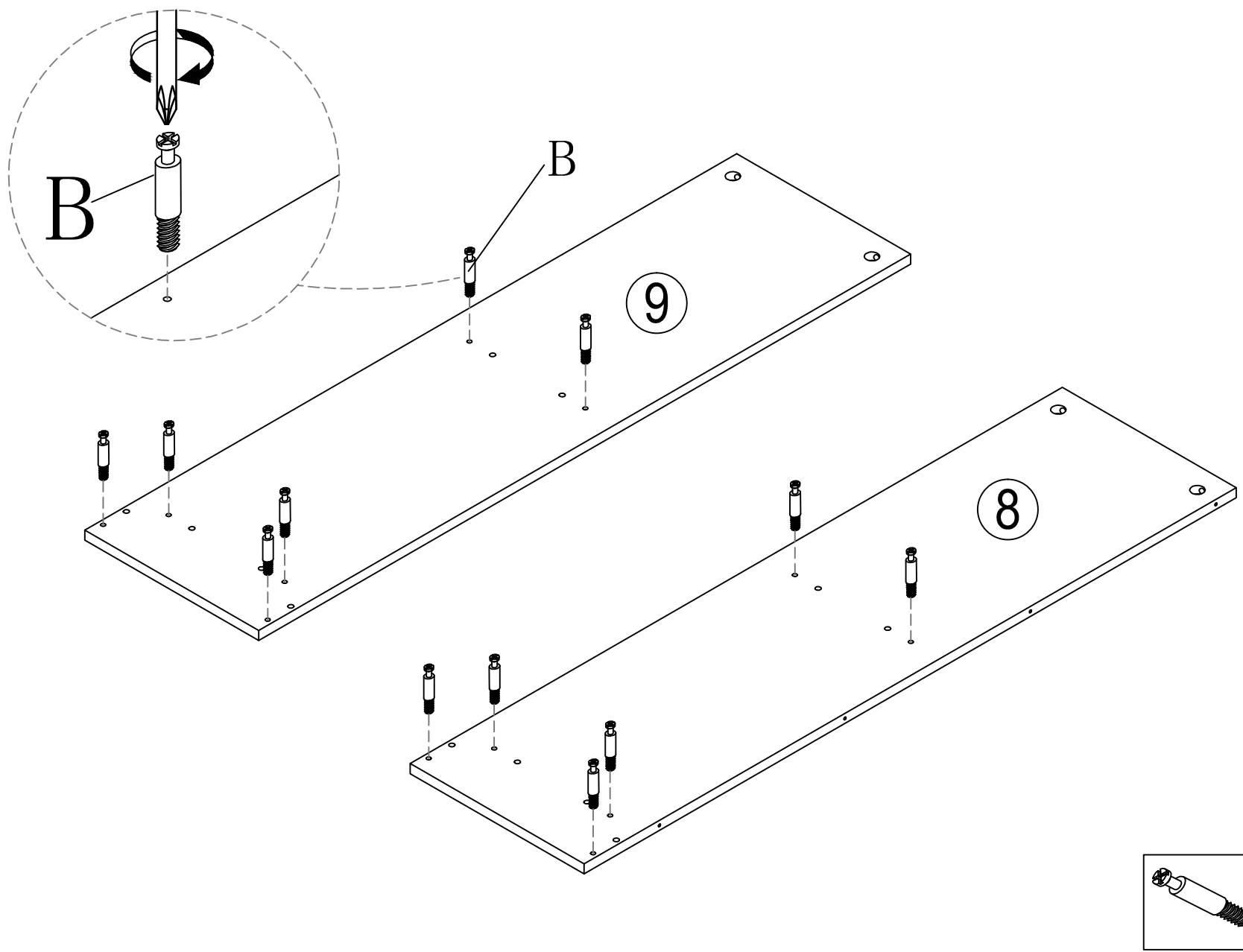


# STEP 5

Noted direction

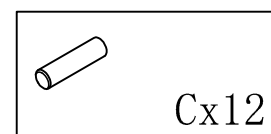
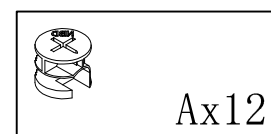
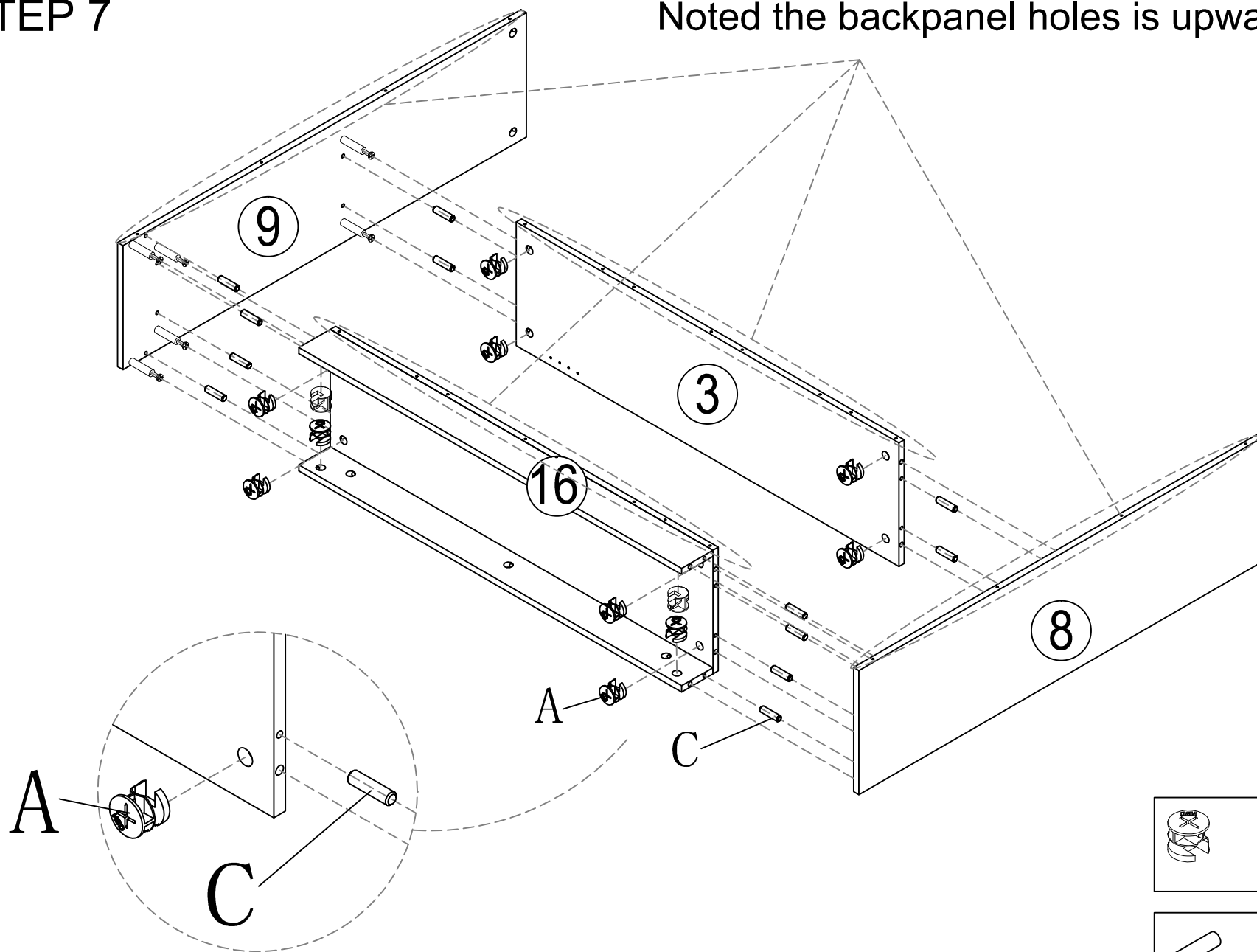


# STEP 6



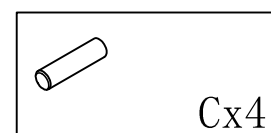
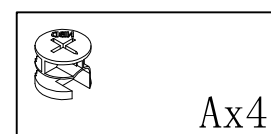
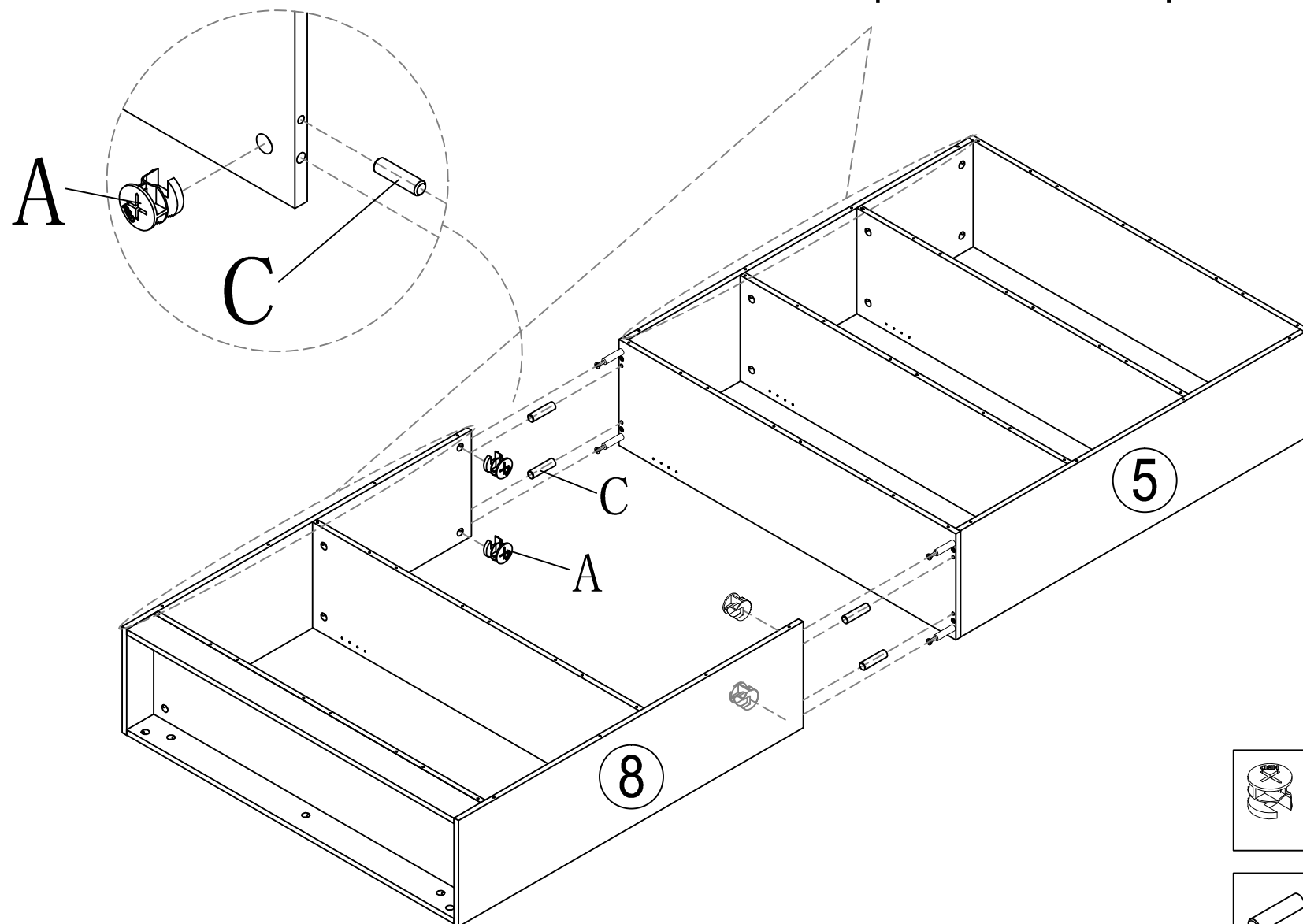
# STEP 7

Noted the backpanel holes is upward

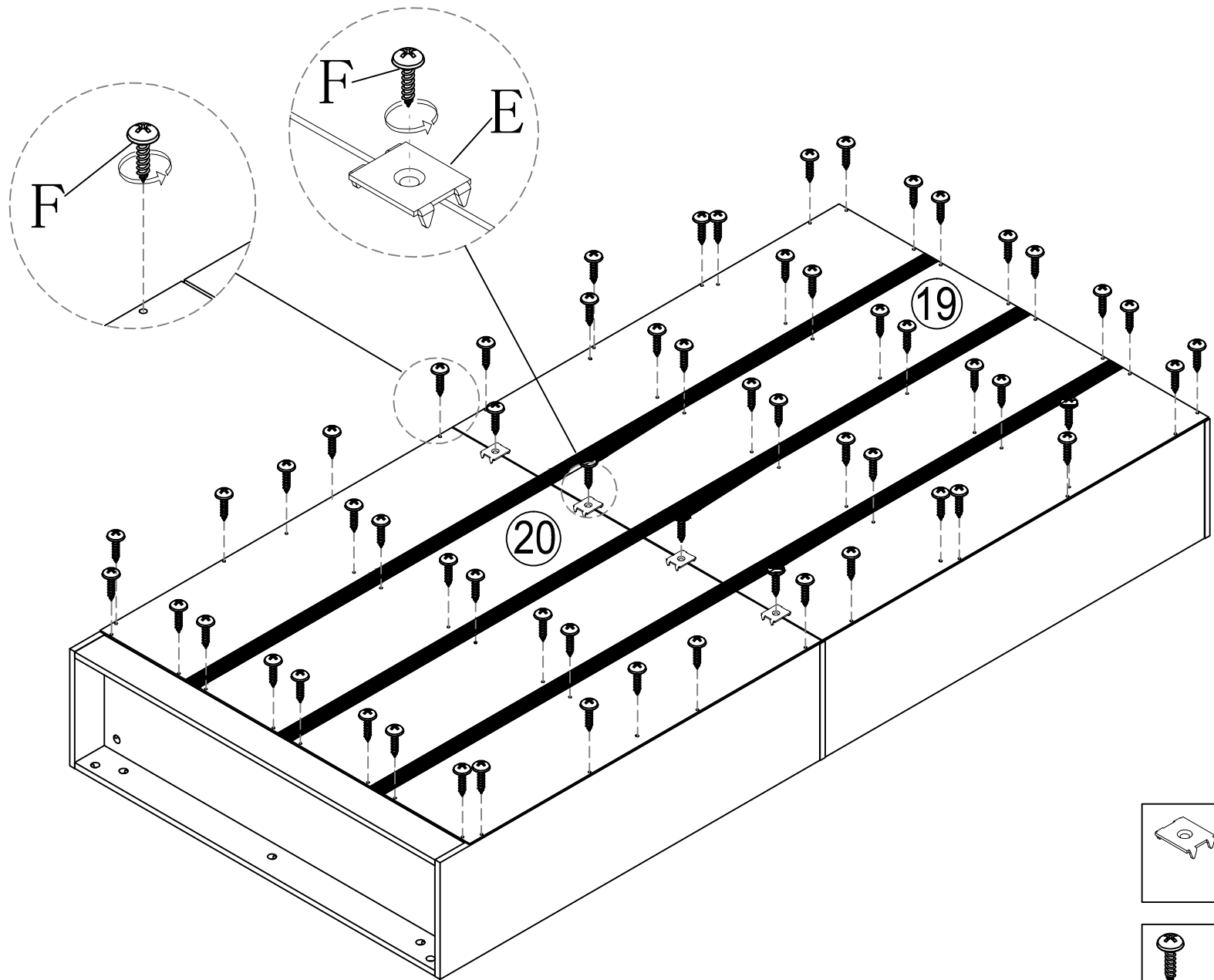


# STEP 8

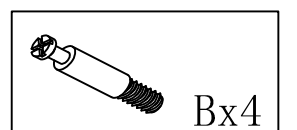
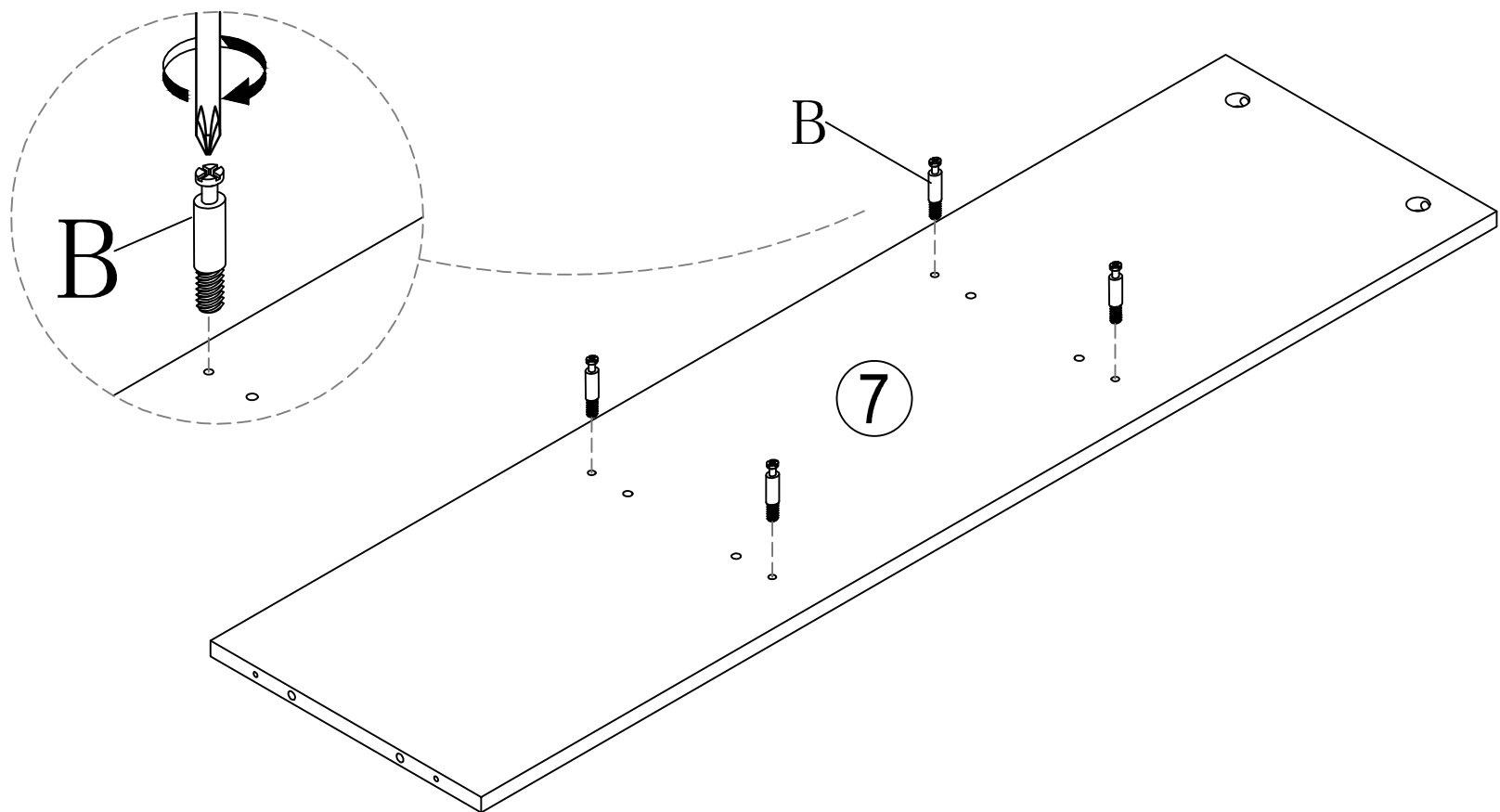
Noted the backpanel holes is upward



# STEP 9

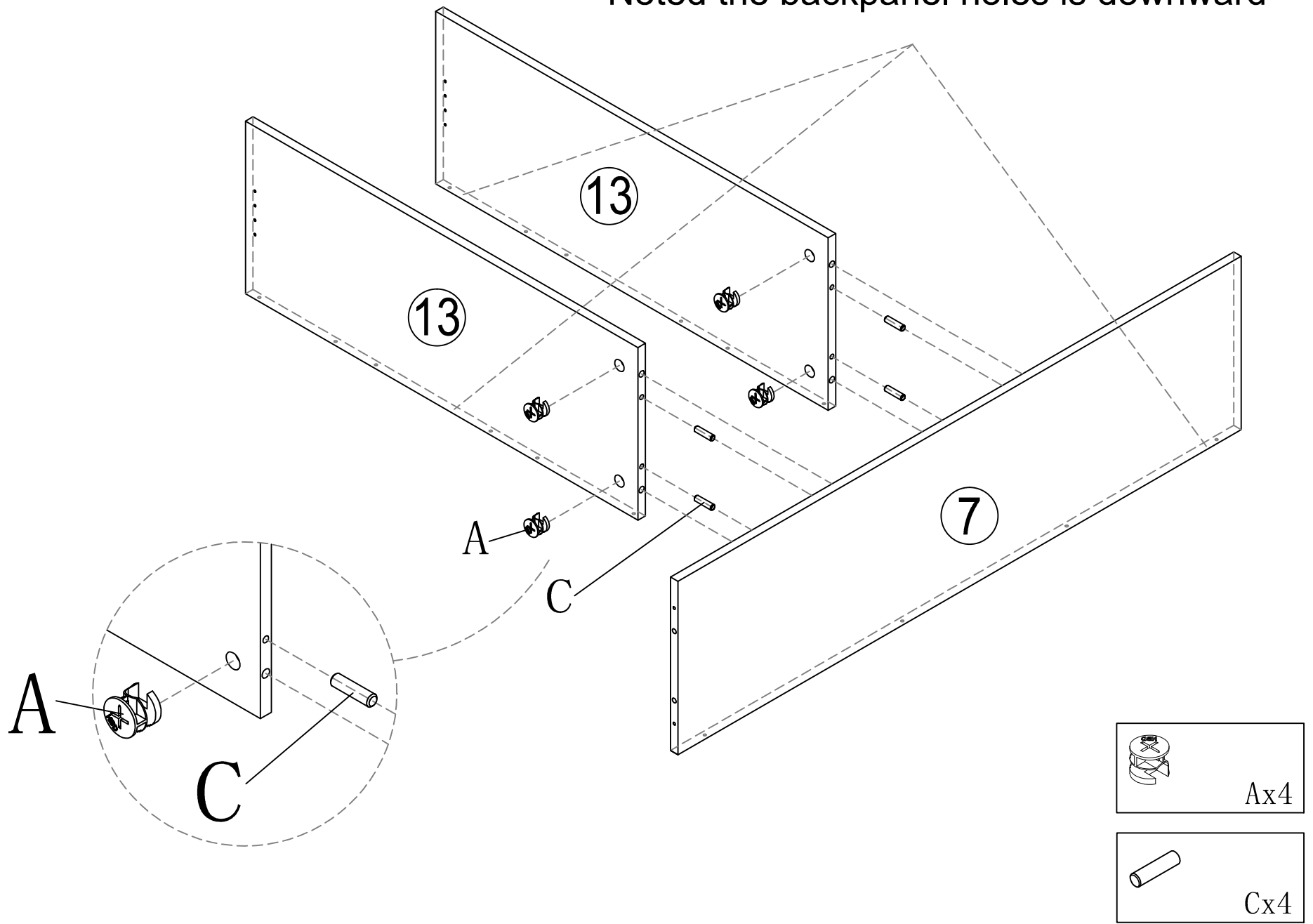


# STEP 10

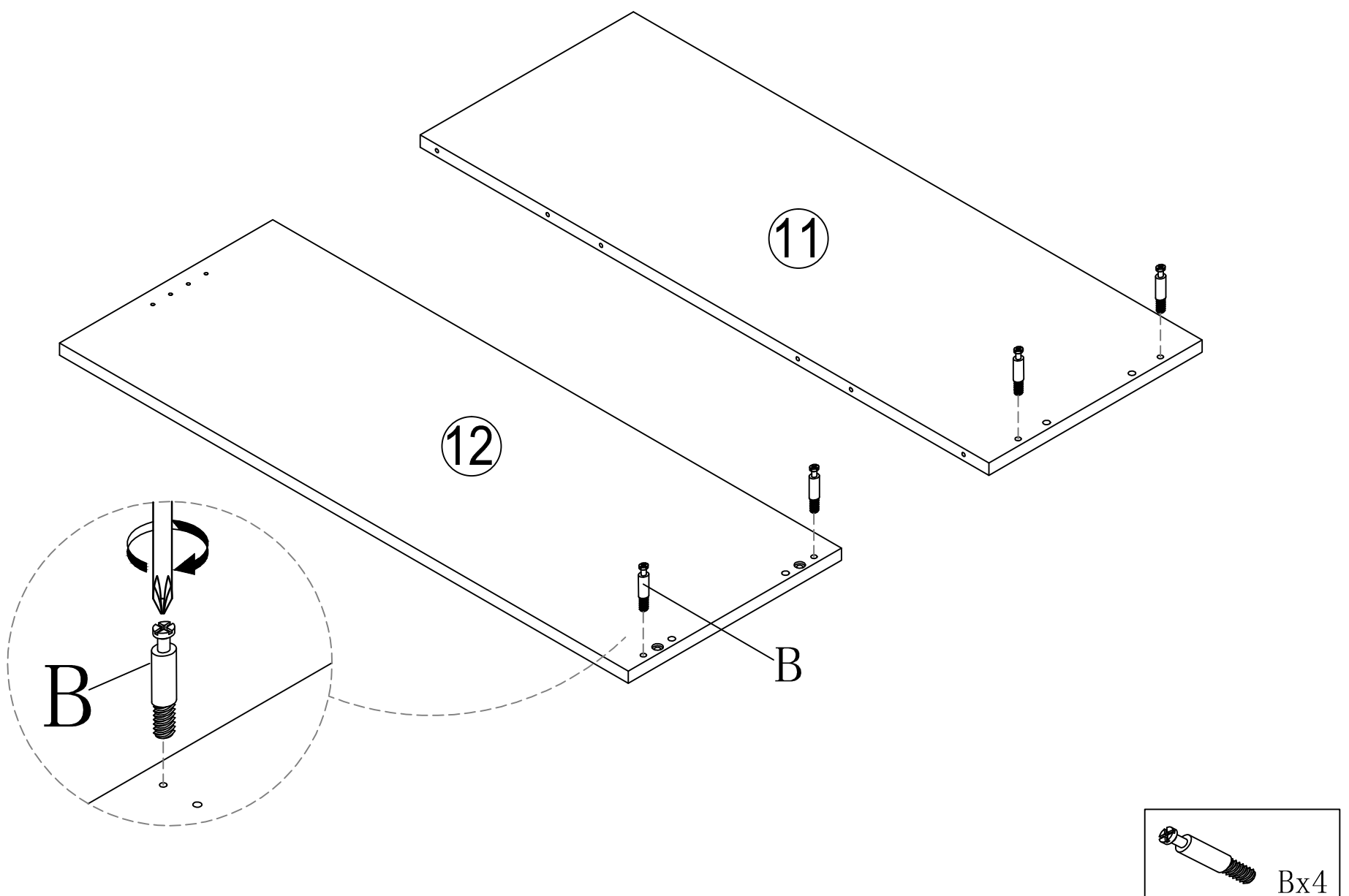


# STEP 11

Noted the backpanel holes is downward

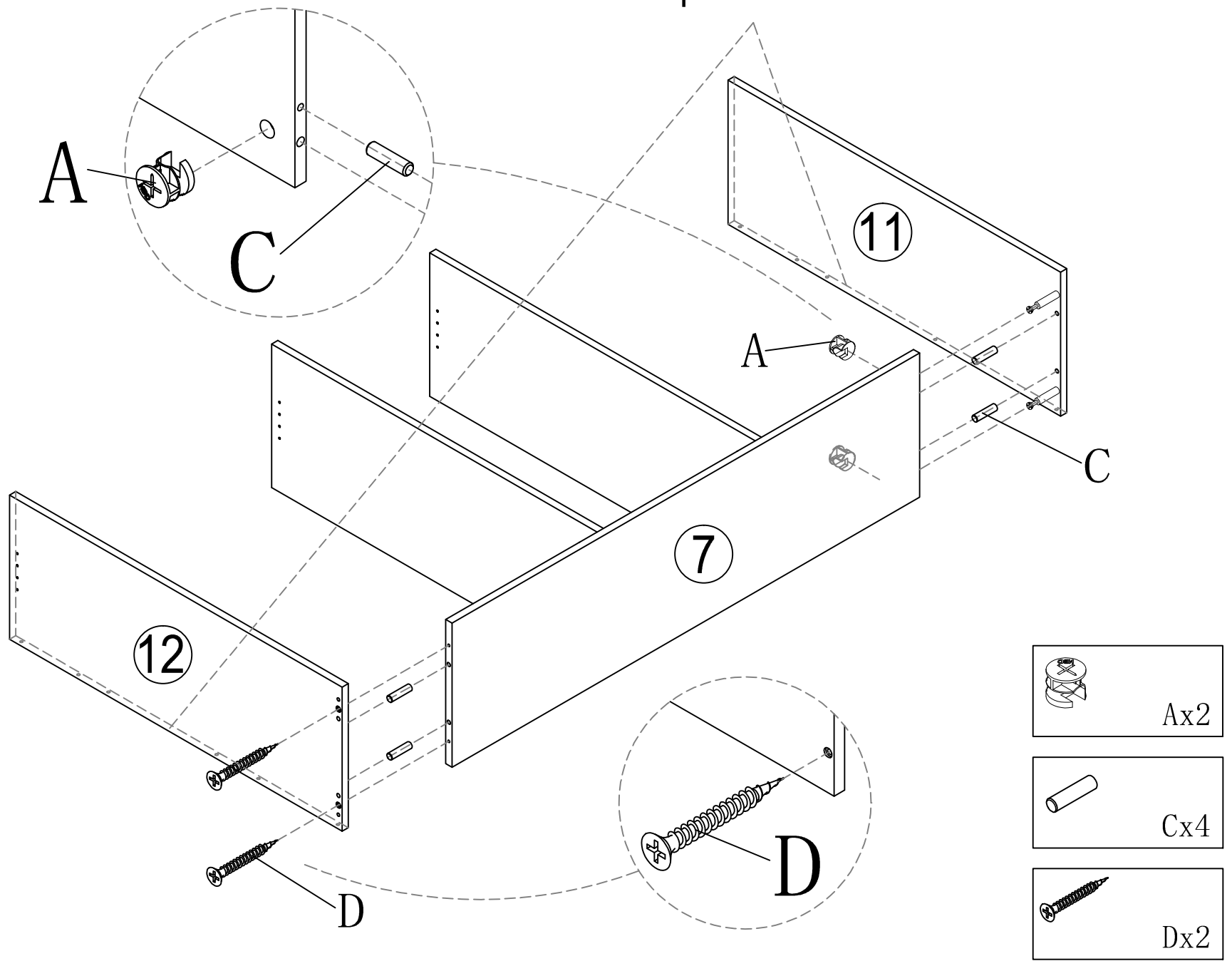


# STEP 12

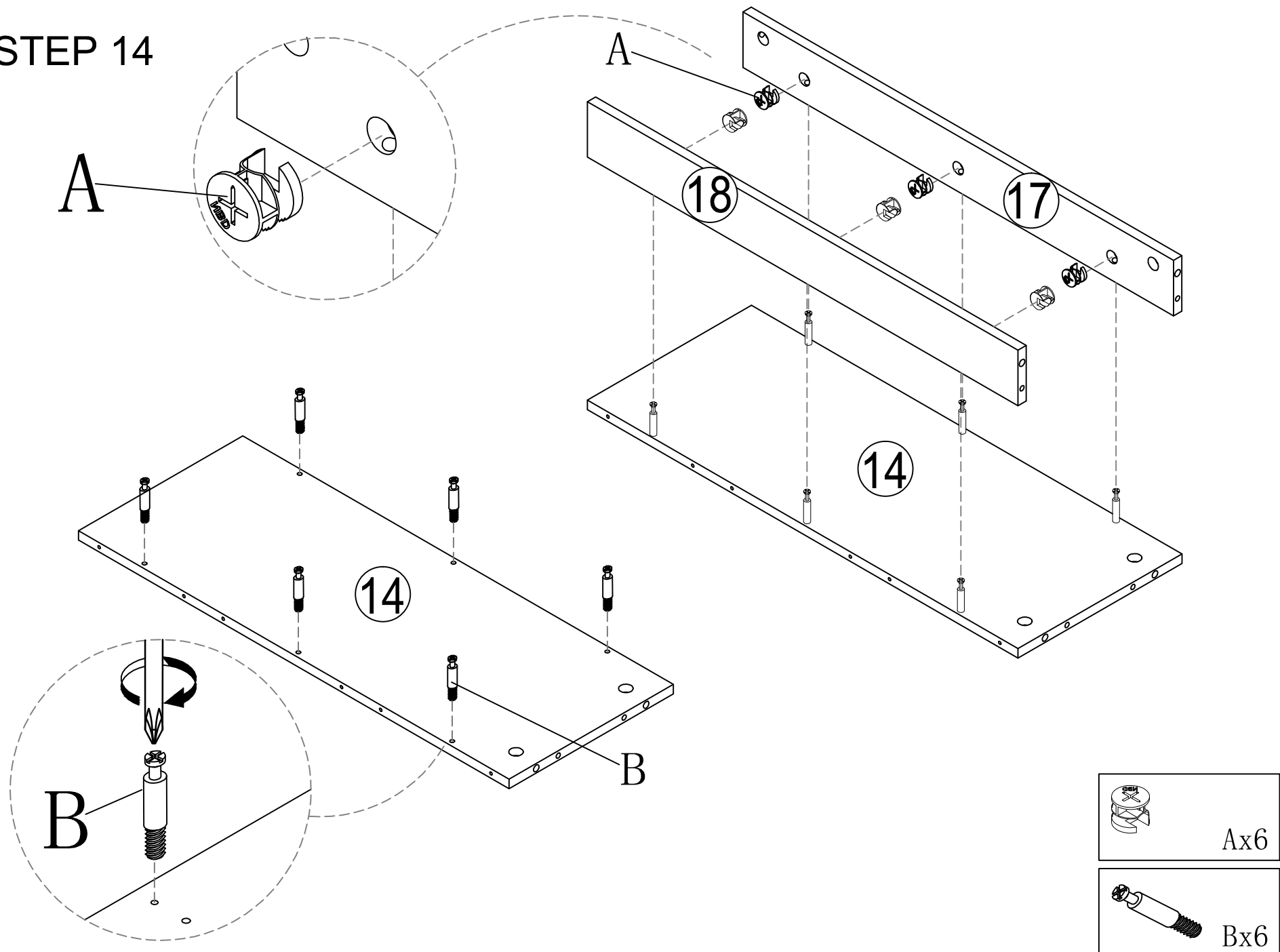


# STEP 13

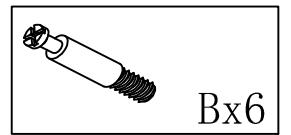
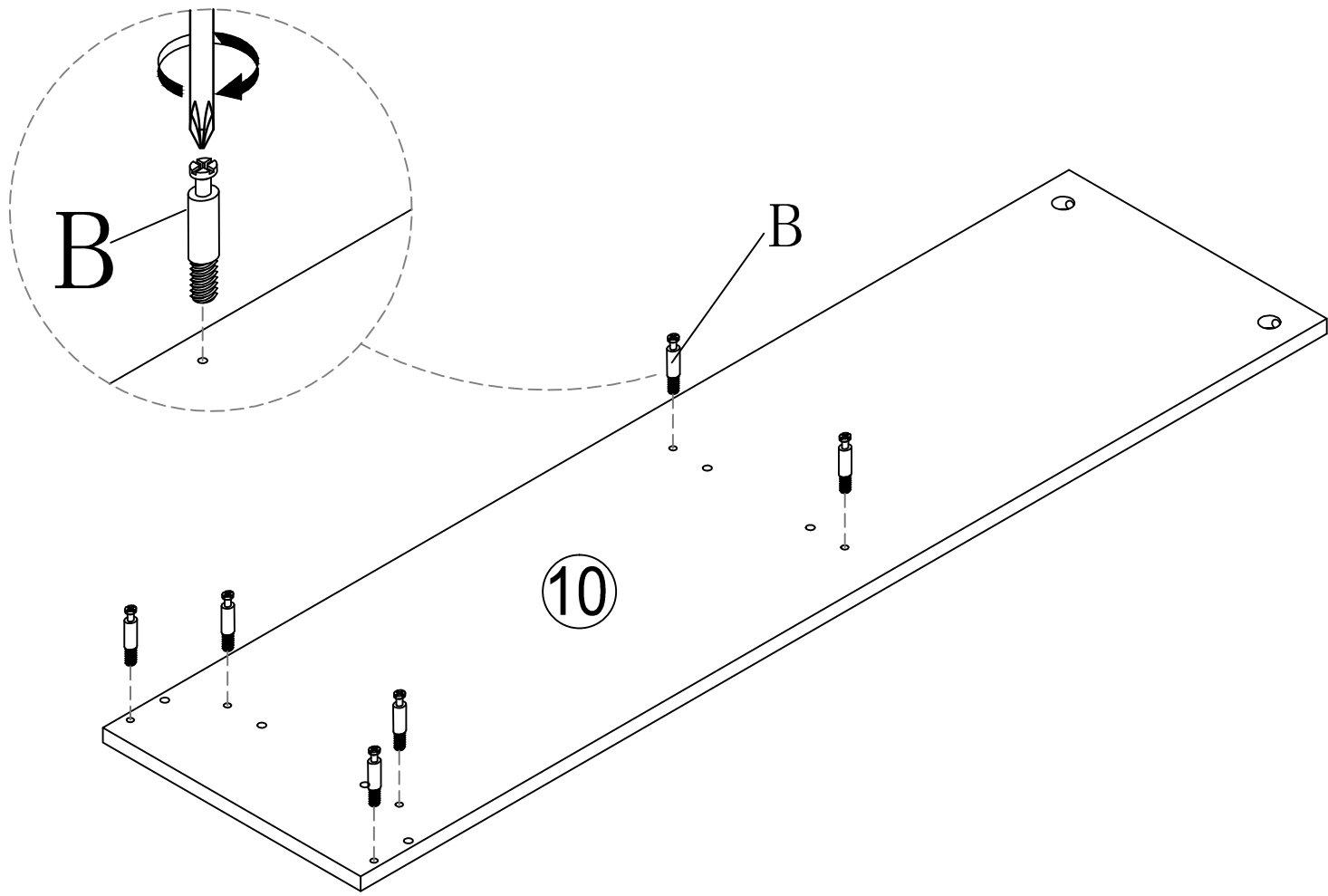
Noted the backpanel holes is downward



# STEP 14

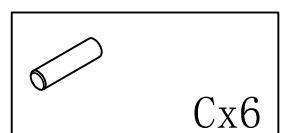
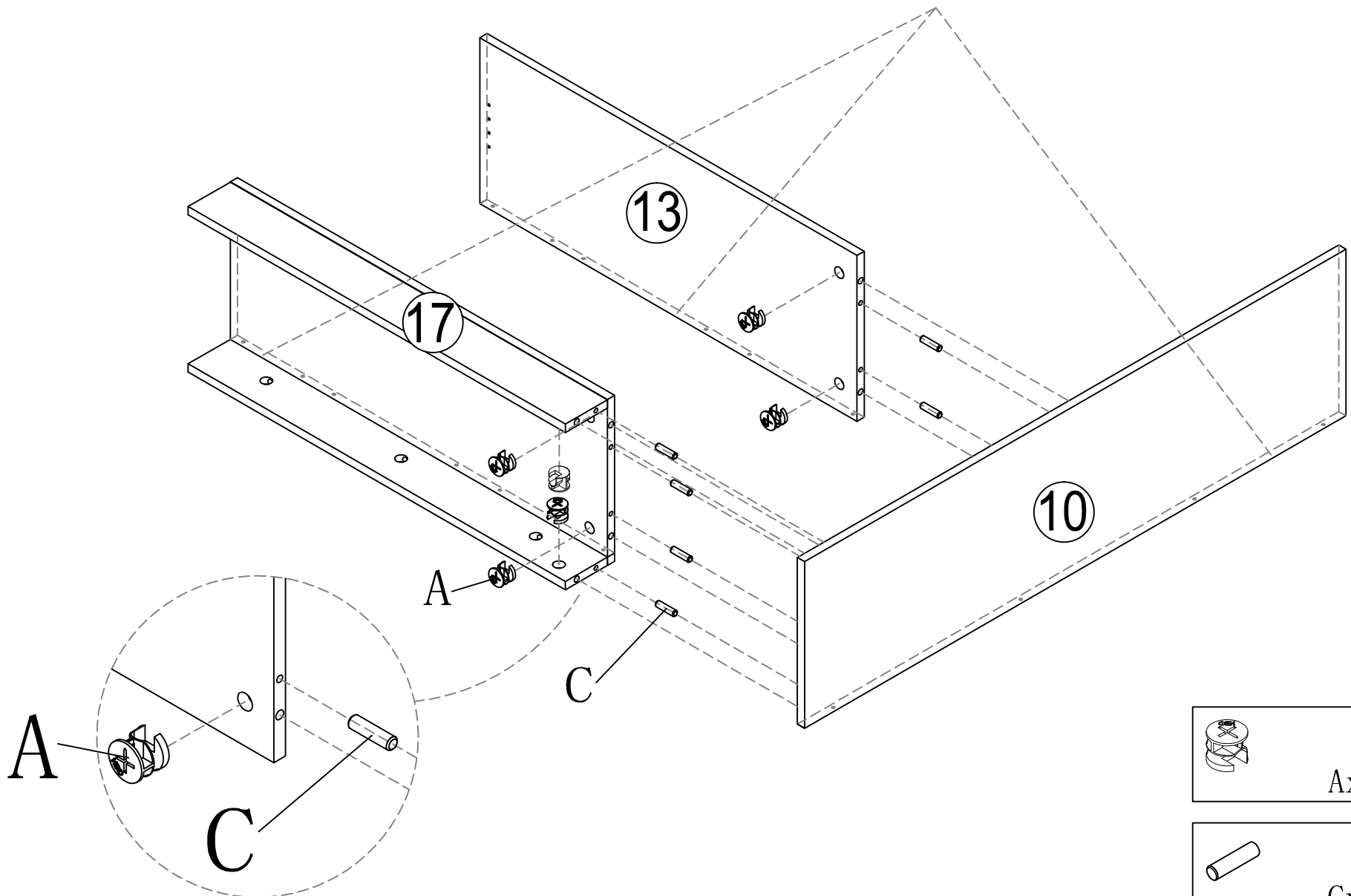


# STEP 15



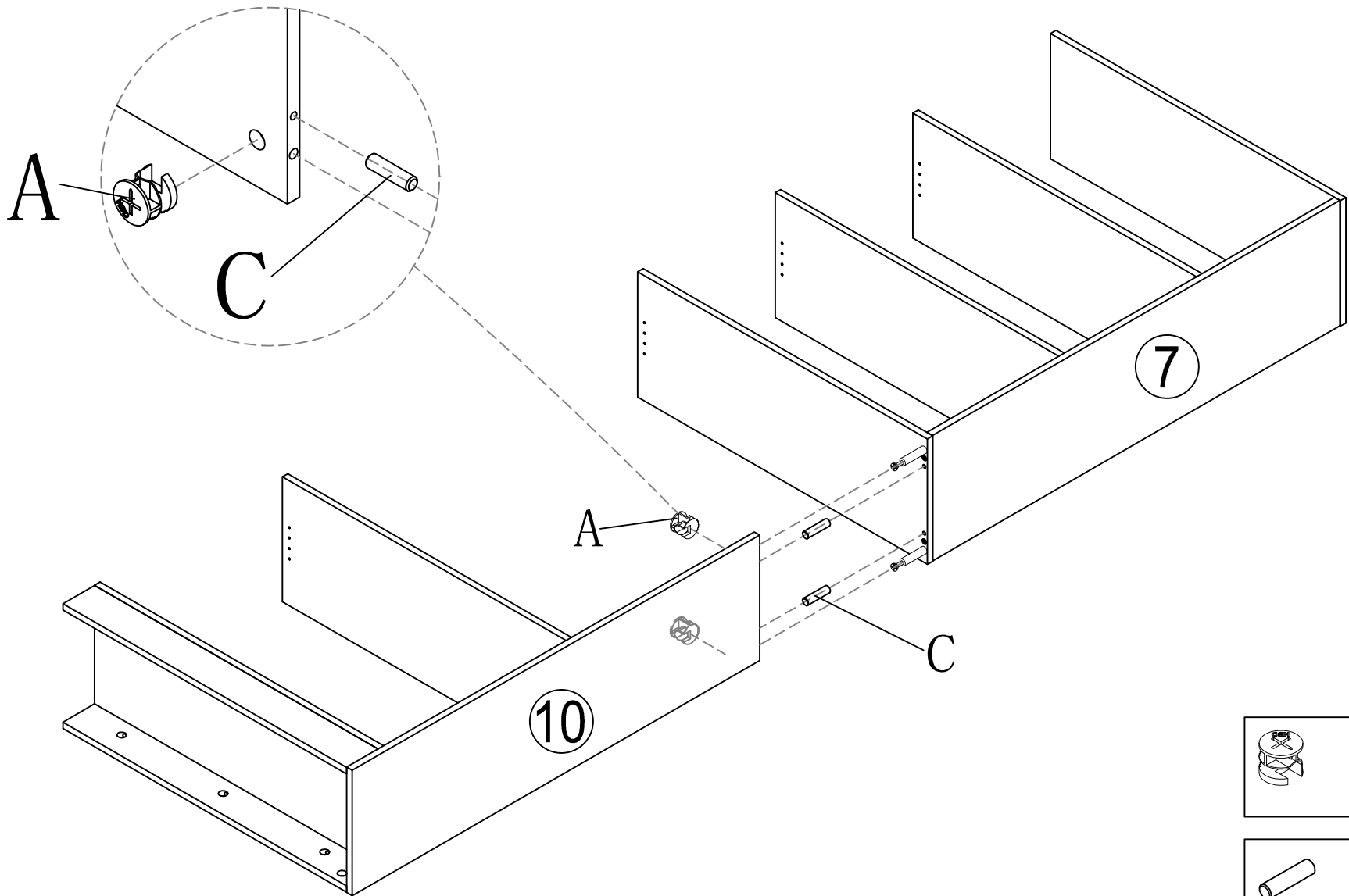
# STEP 16

Noted the backpanel holes is downward

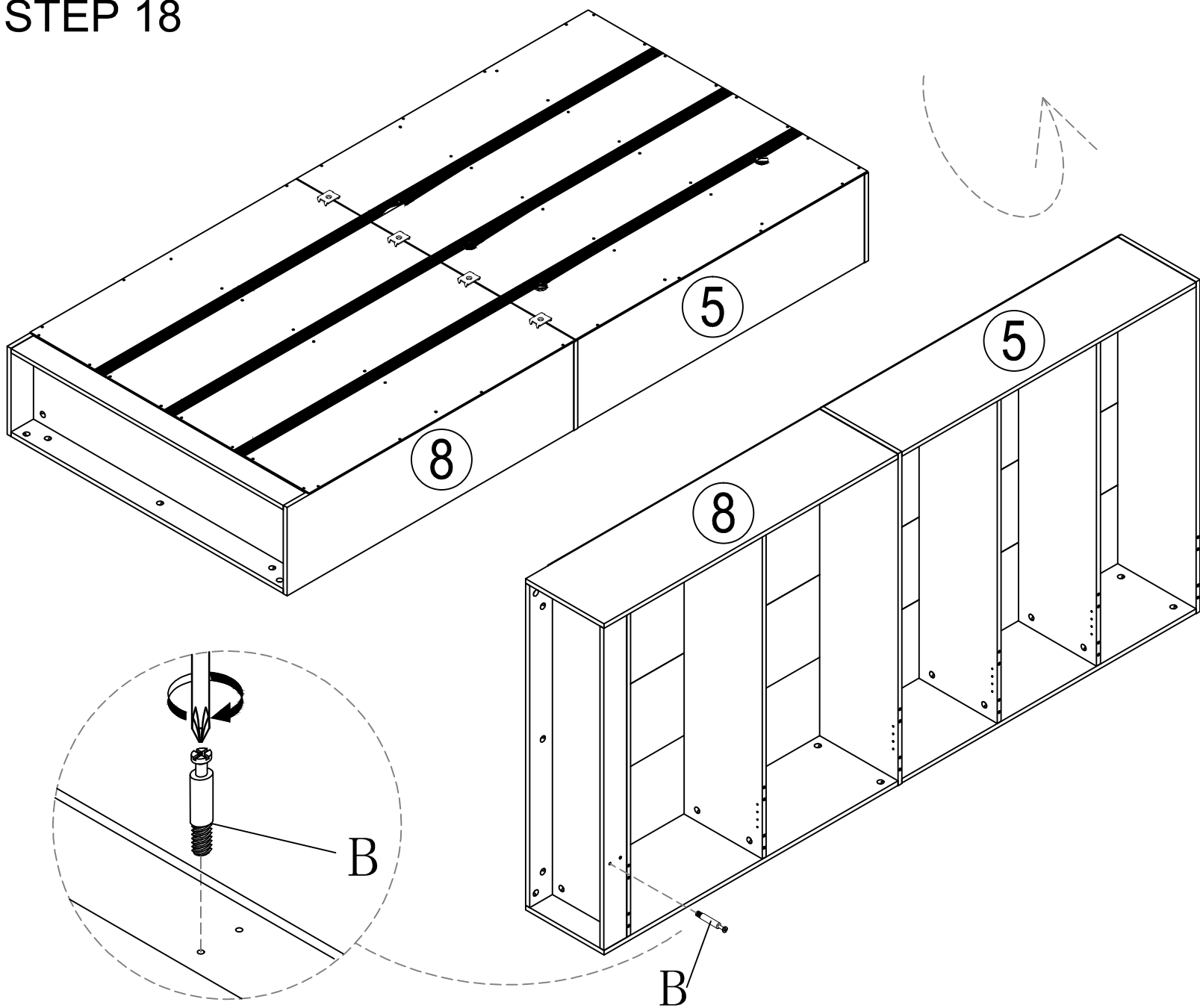


# STEP 17

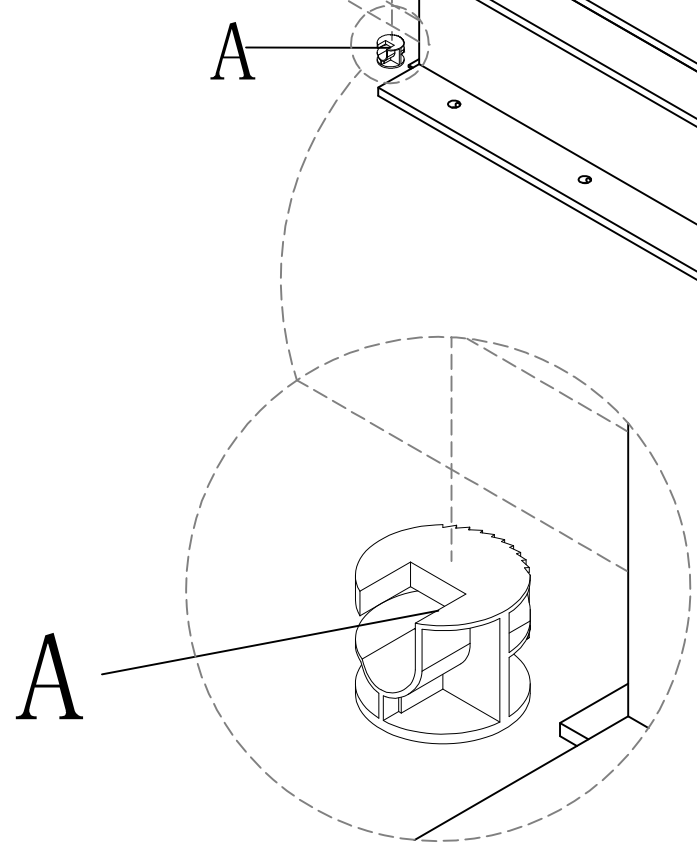
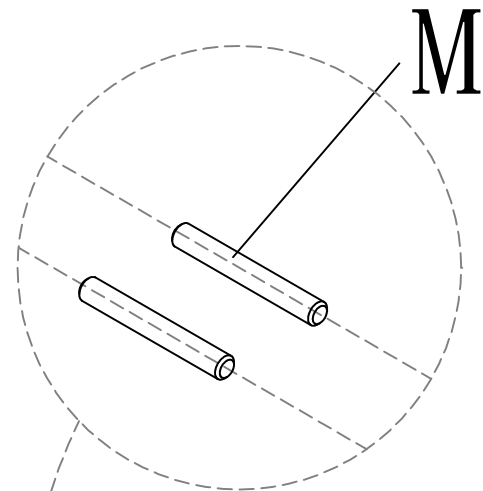
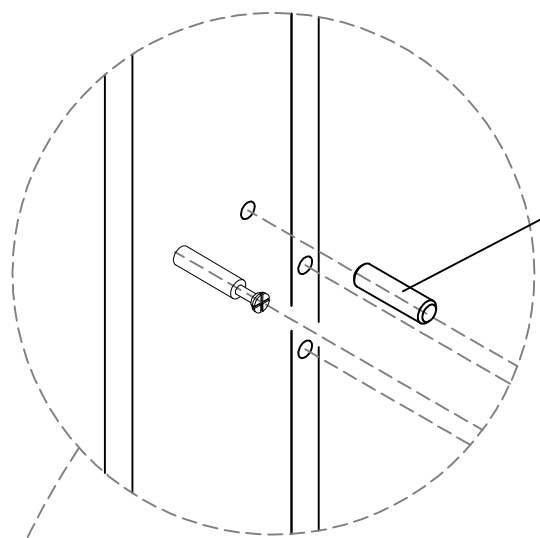
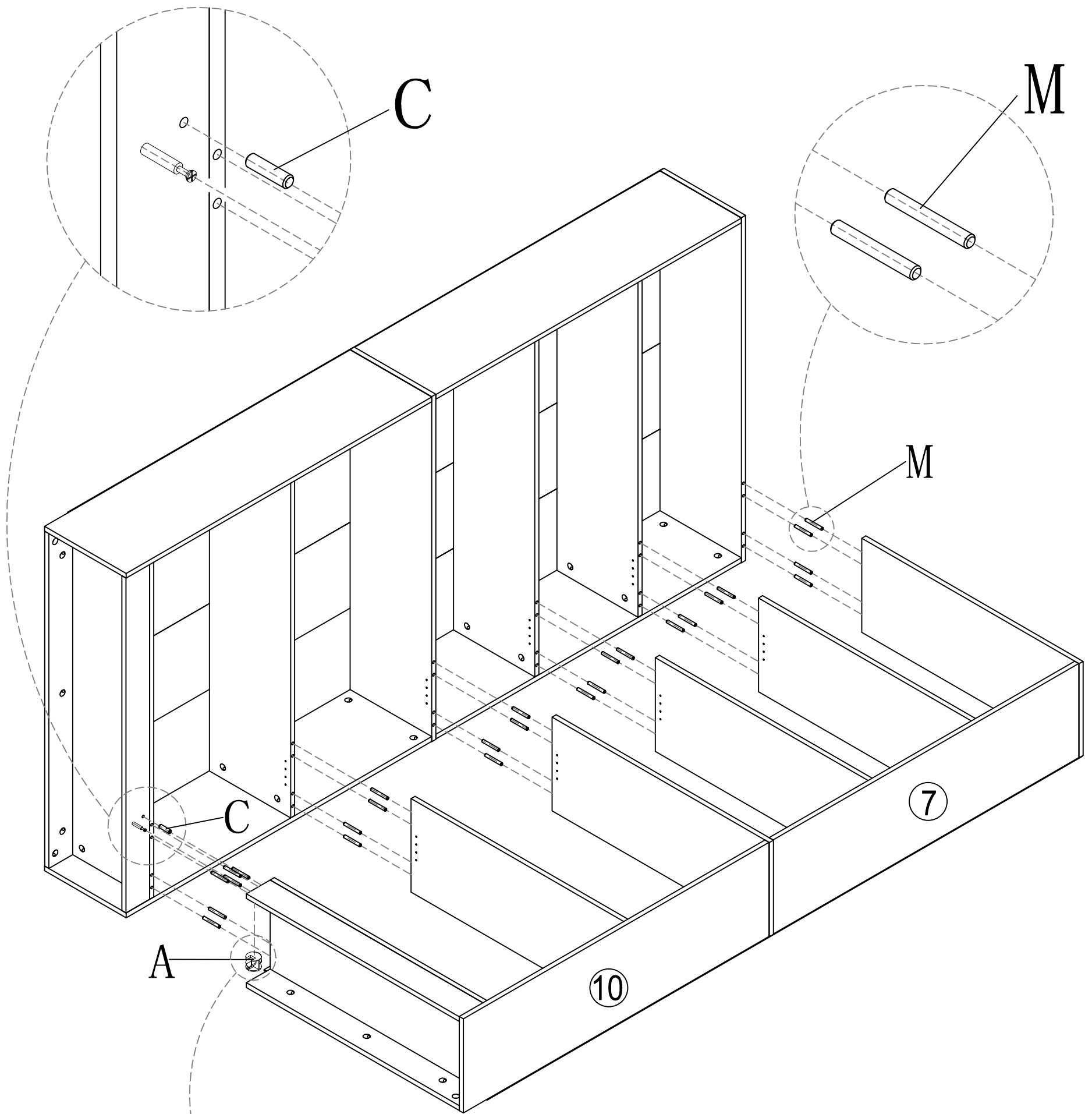
Noted the backpanel holes is downward



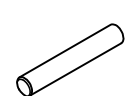


# STEP 18

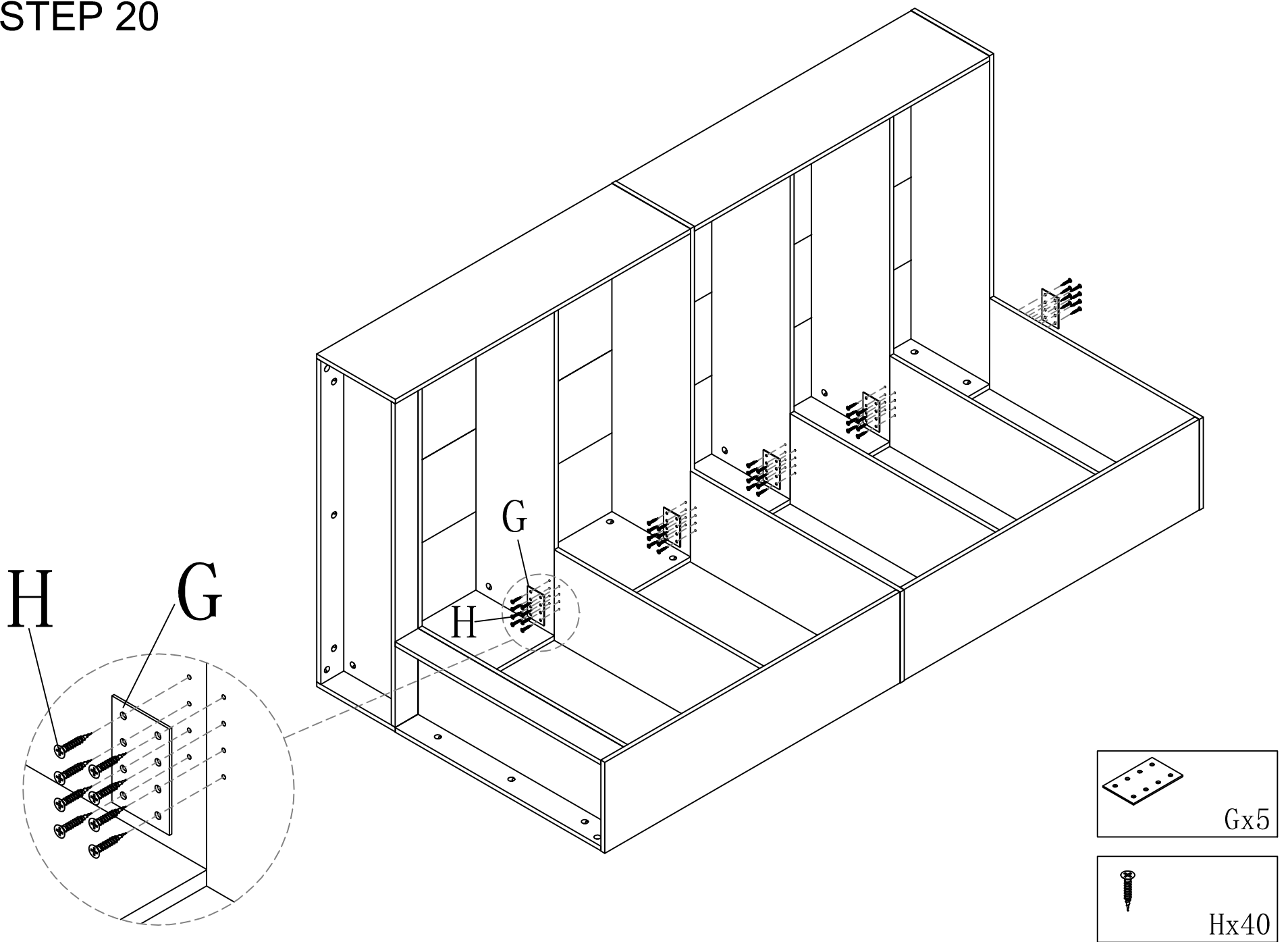


# STEP 19



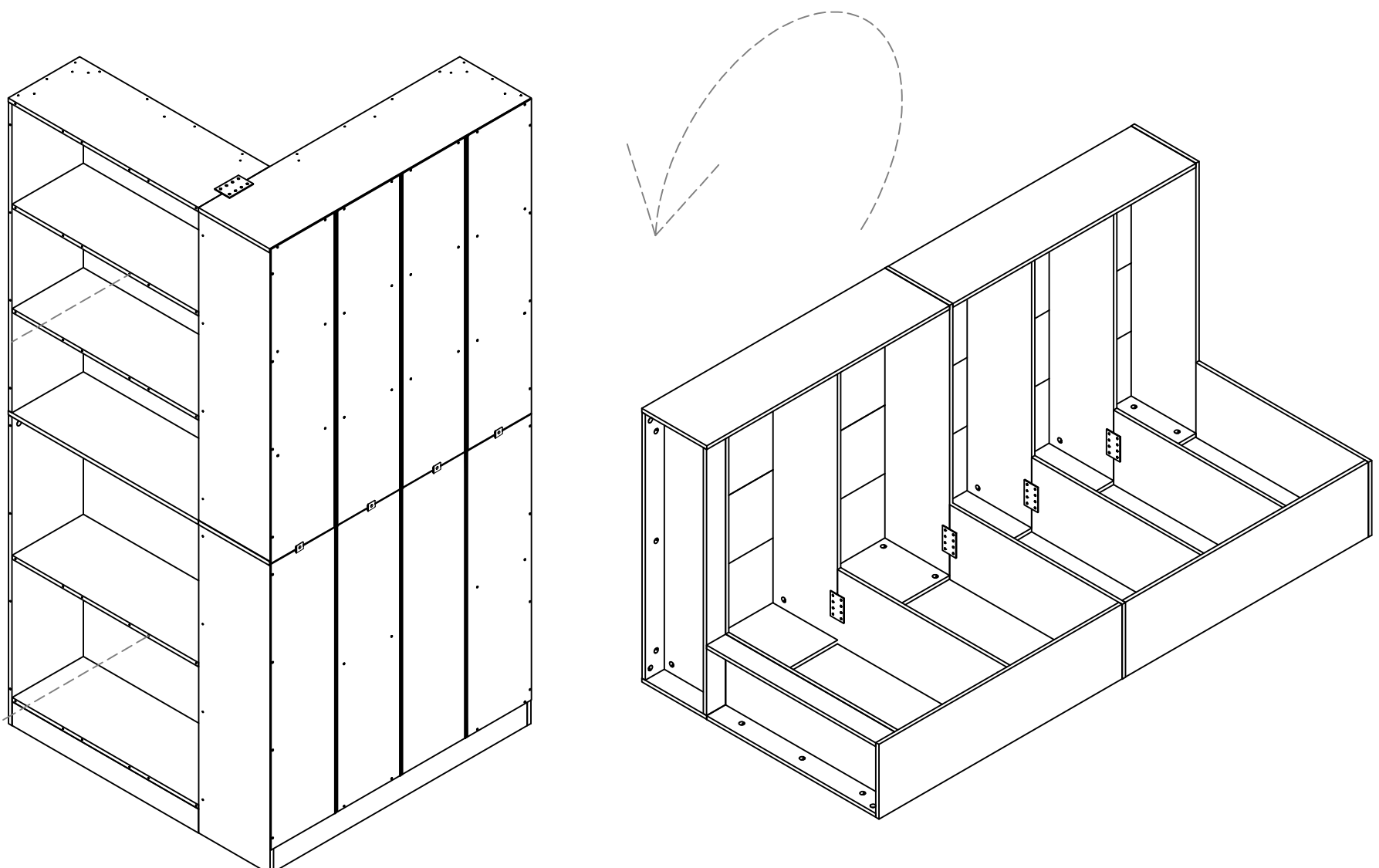
	Ax1
	Cx1
	Mx24

## STEP 20

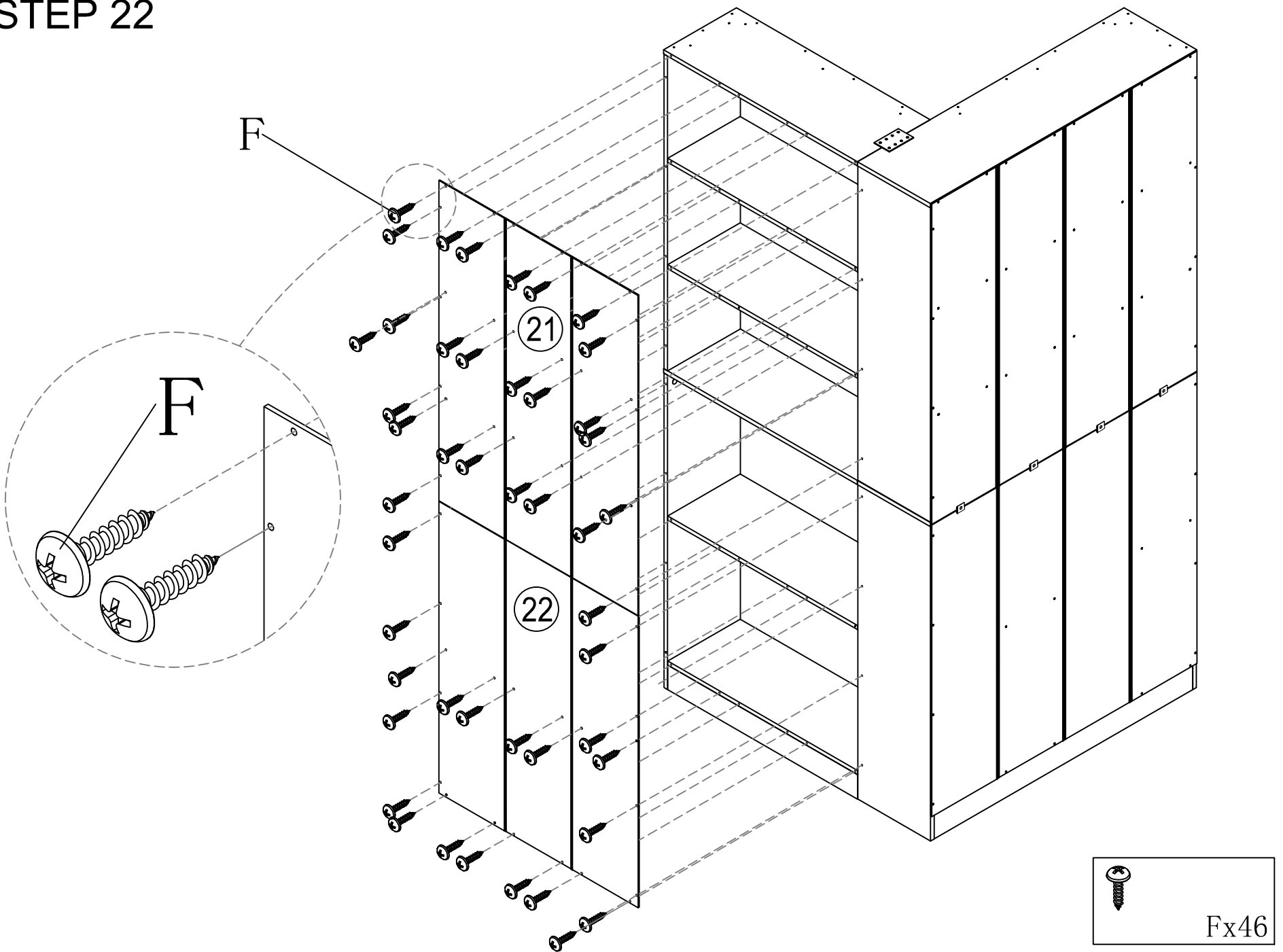


## STEP 21

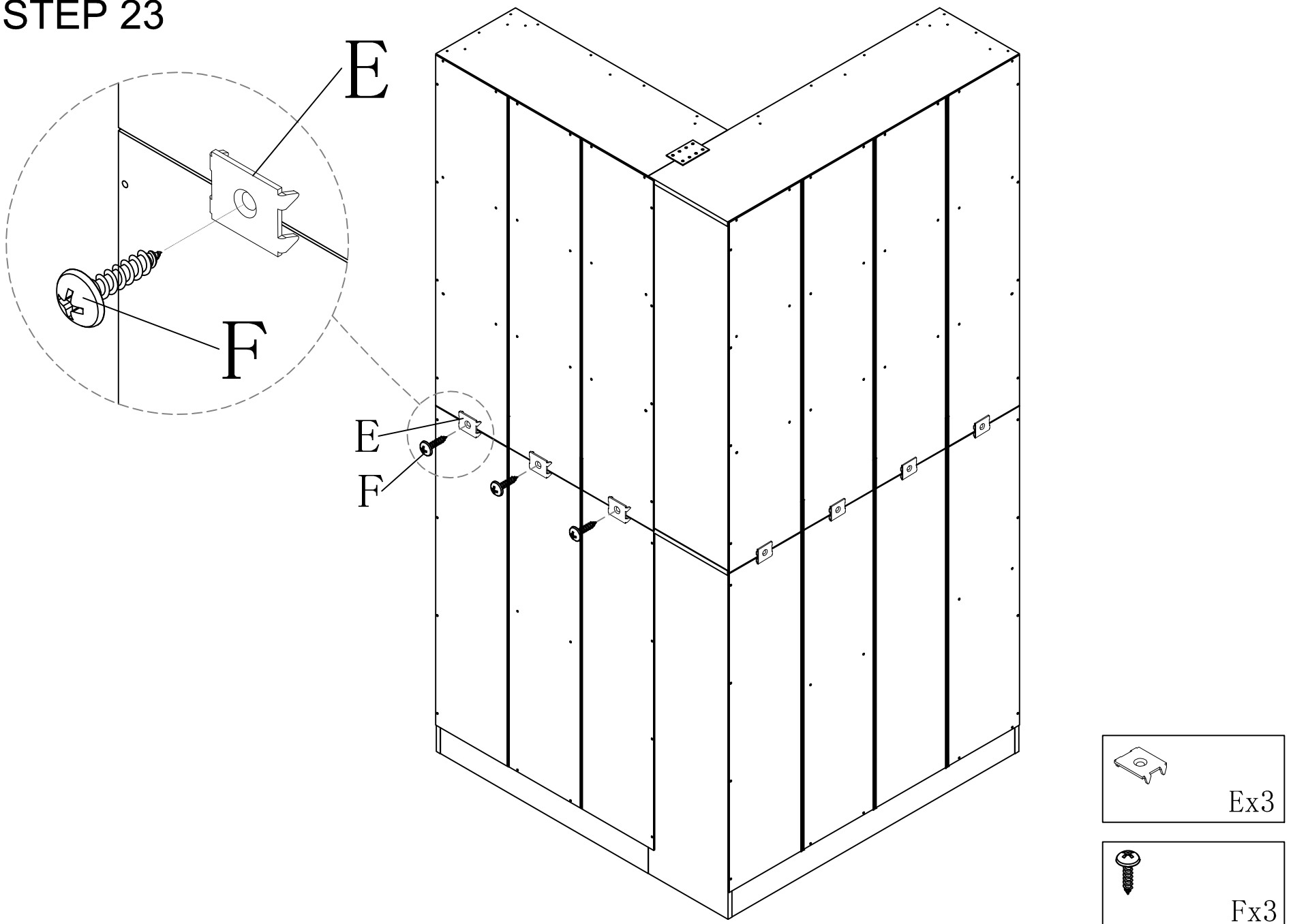
Please be careful When you stand up the product, 2 people is need.



# STEP 22

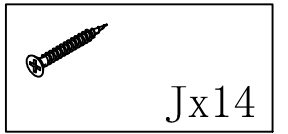
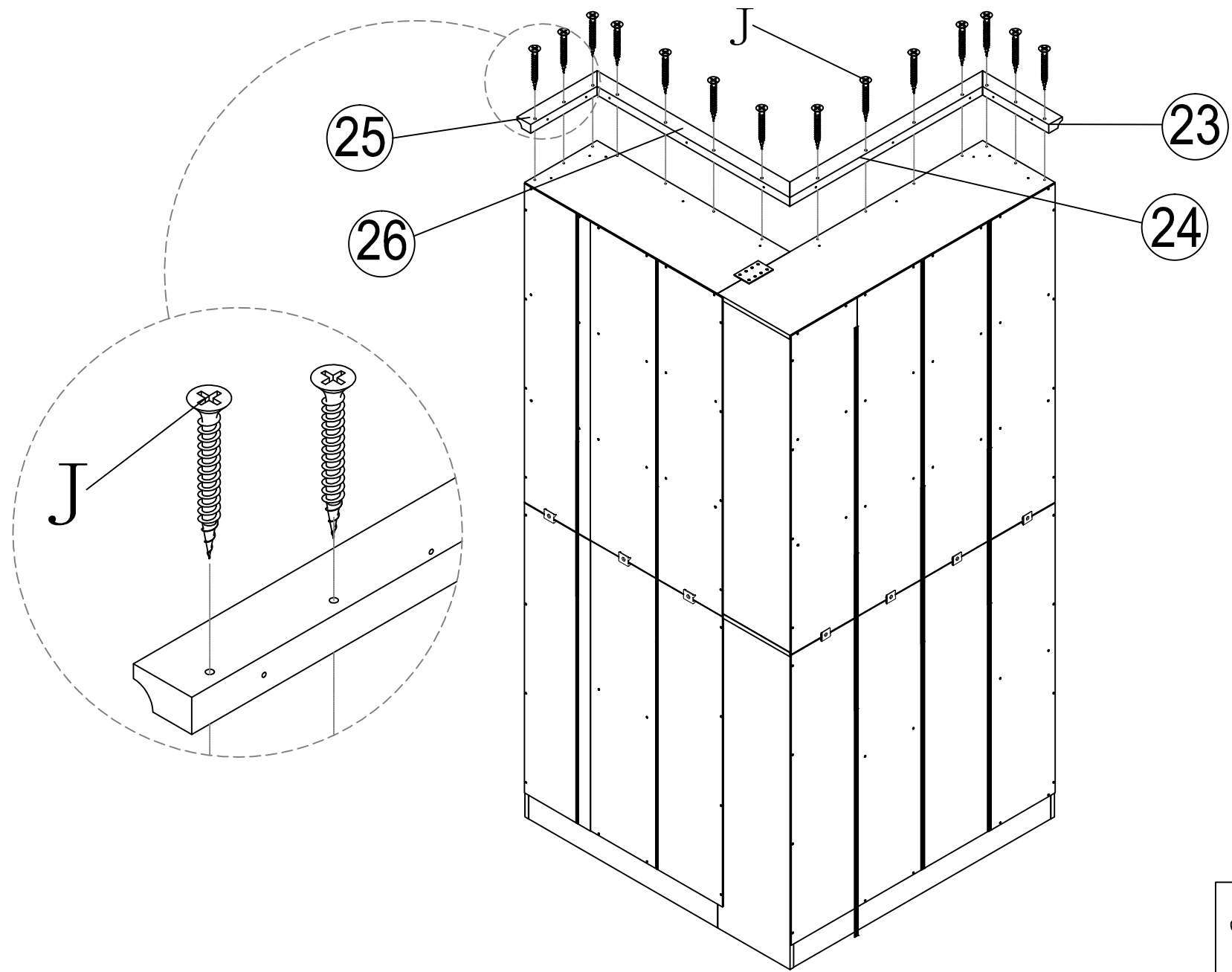


# STEP 23

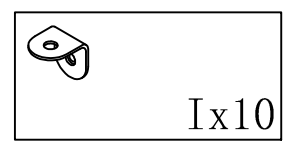
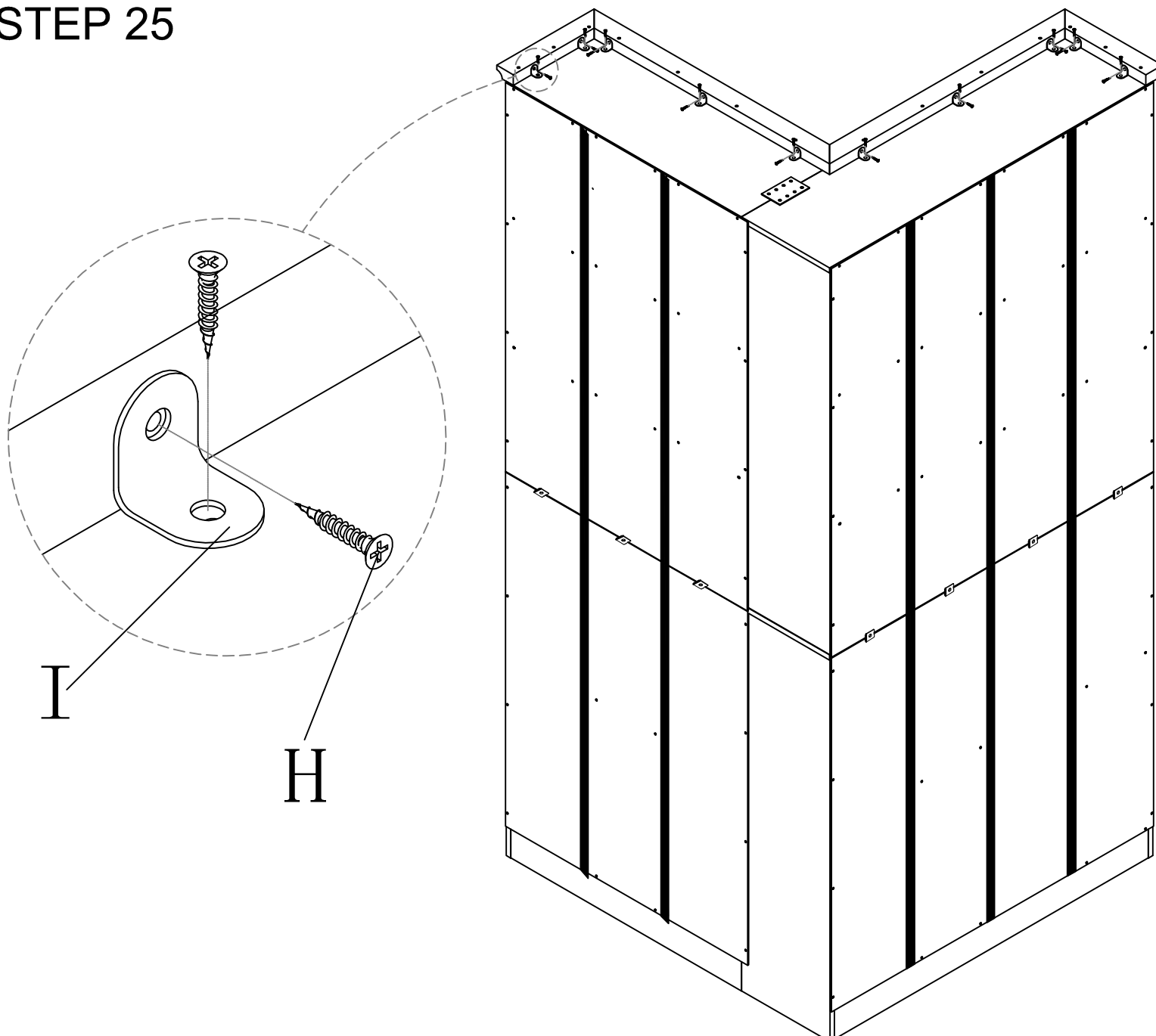


# STEP 24

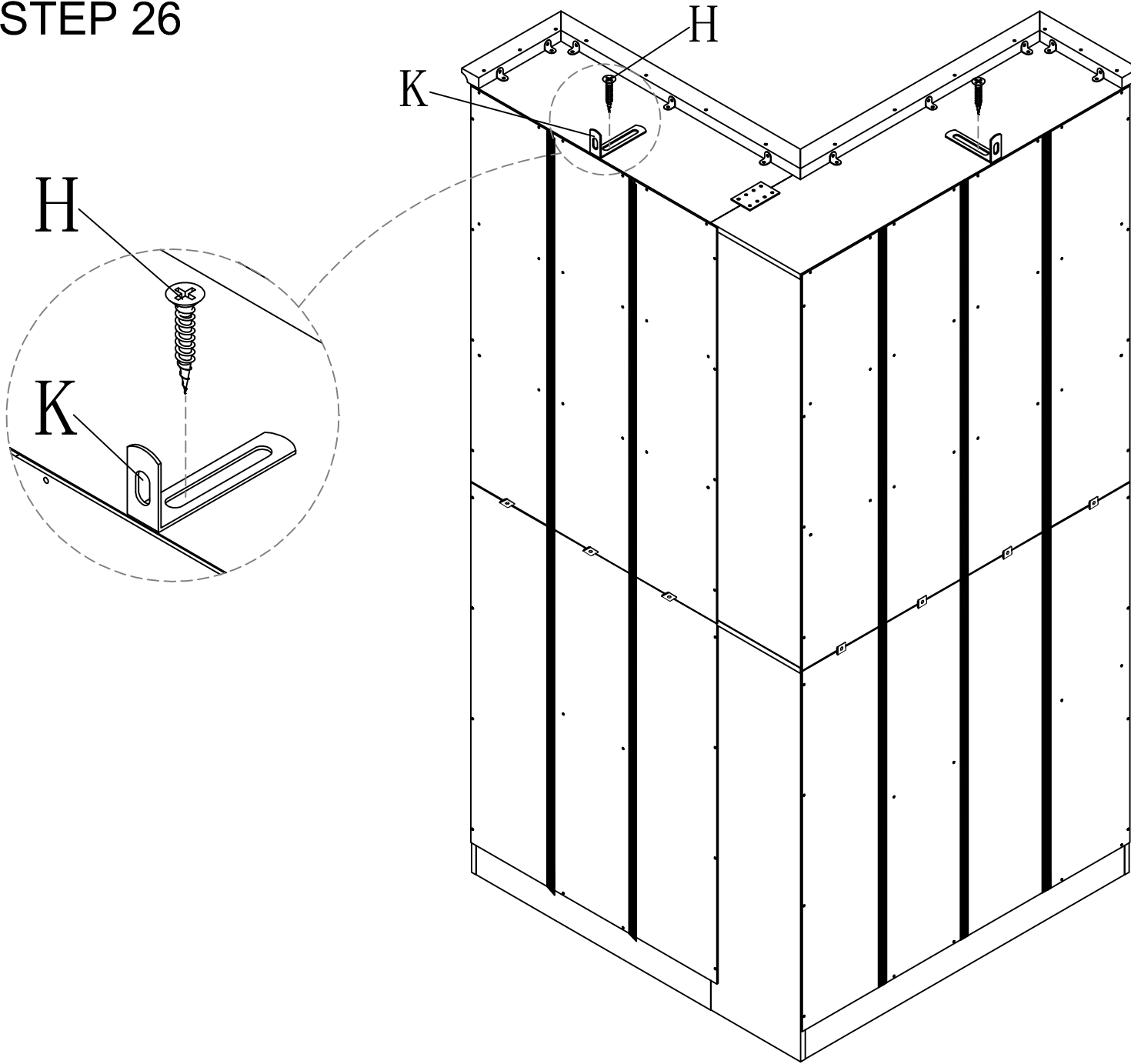
Noted length of screw #J is 35mm


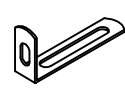


# STEP 25

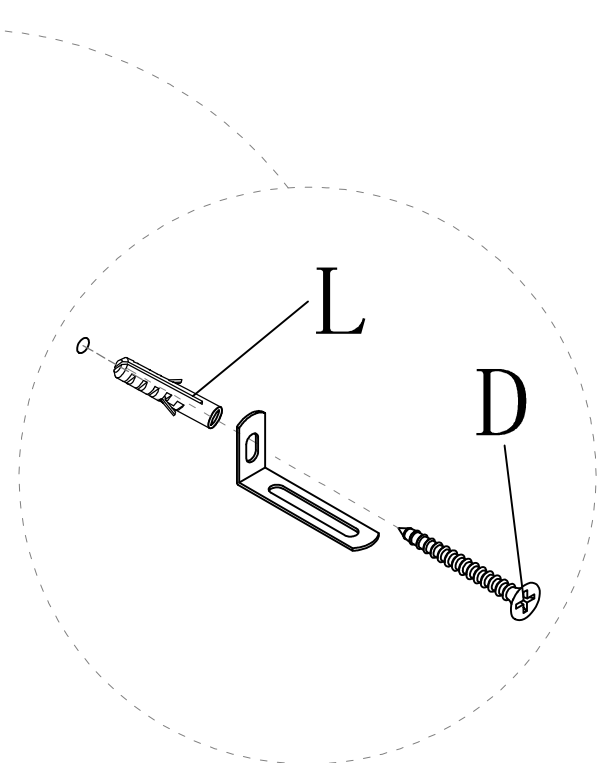
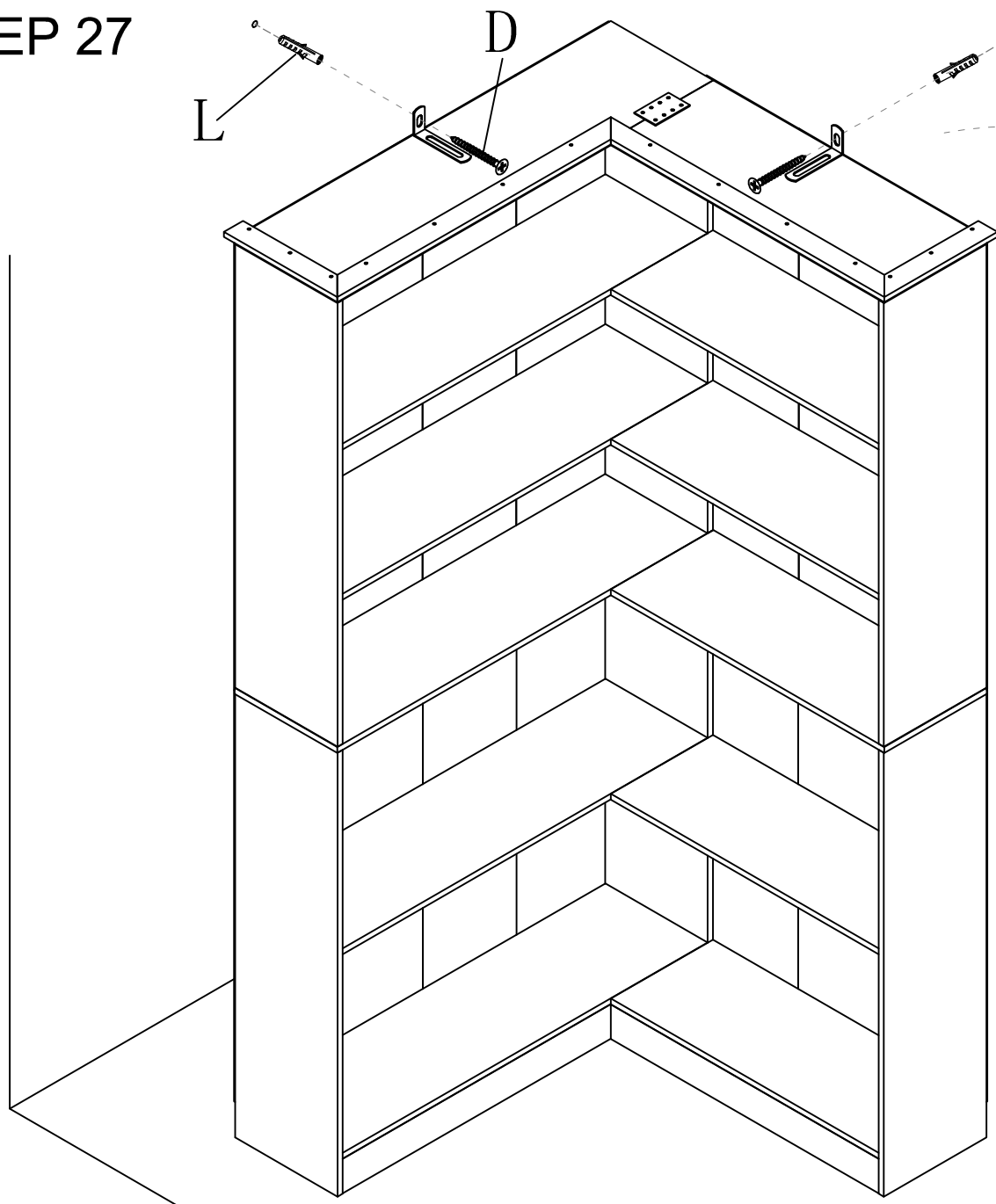




# STEP 26



-  Hx2
-  Kx2

# STEP 27



-  Dx2
-  Lx2

STEP 28

