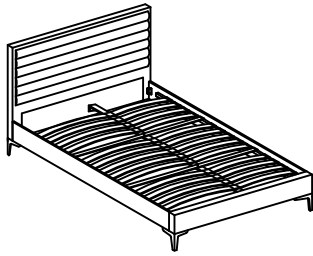


ASSEMBLY INSTRUCTION

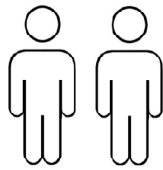
FULL



+ Do Not Use Power Tools



+ Suggested Adults



NOTE:

- 1 Read instructions cover to cover.
- 2 Save all packaging until assembly is completed.

1 IMPORTANT SAFETY INFORMATION

Do not assemble the product if any of the following parts arrived damaged:

- Part # - Side Rails
- Part # - Center Support Bar
- Part # - Support Legs
- Part # - Slats

2 IMPORTANT ASSEMBLY INFORMATION

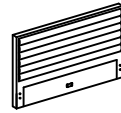
Assembly Step Ensure the side rail bracket is fully hooked onto bolt loosely threaded with both washers on the **OUTSIDE** of the bracket first, then proceed to fully tightening all 4 corners.

Assembly Step When installing slats, ensure that the curve is facing upwards. (↖) (↘)

*Slats come packed in the bottom of headboard carton.

+ Parts Included

- | | | |
|--------------------------|--------------------------|---------------------------|
| ① Headboard
(1 of pc) | ② Footboard
(1 of pc) | ③ Side Rail
(2 of pcs) |
|--------------------------|--------------------------|---------------------------|



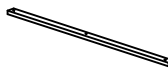
- | | | |
|---------------------|----------------------------|-----------------------------|
| ④ Leg
(4 of pcs) | ⑤ Center Rail
(1 of pc) | ⑥ Support Leg
(3 of pcs) |
|---------------------|----------------------------|-----------------------------|



- | | | |
|-----------------------|--------------------------------|-----------------------------|
| ⑦ Slat
(28 of pcs) | ⑧ Middle Holder
(13 of pcs) | ⑨ End Holder
(26 of pcs) |
|-----------------------|--------------------------------|-----------------------------|



- | |
|--------------------------------|
| ⑩ Stiffener Slat
(2 of pcs) |
|--------------------------------|



+ Hardware Included

- | | | |
|---------------------------------|---------------------------------|---------------------------------------|
| A JCBB
M8x30mm
(8 of pcs) | B JCBC
M6x40mm
(3 of pcs) | C Allen Key
M5 x 70mm
(1 of pc) |
|---------------------------------|---------------------------------|---------------------------------------|



- | | | |
|---------------------------------------|----------------------------------|-----------------------------------|
| D Allen Key
M4 x 65mm
(1 of pc) | E CSK
M4 x 16mm
(6 of pcs) | F CSK
M4 x 25mm
(14 of pcs) |
|---------------------------------------|----------------------------------|-----------------------------------|



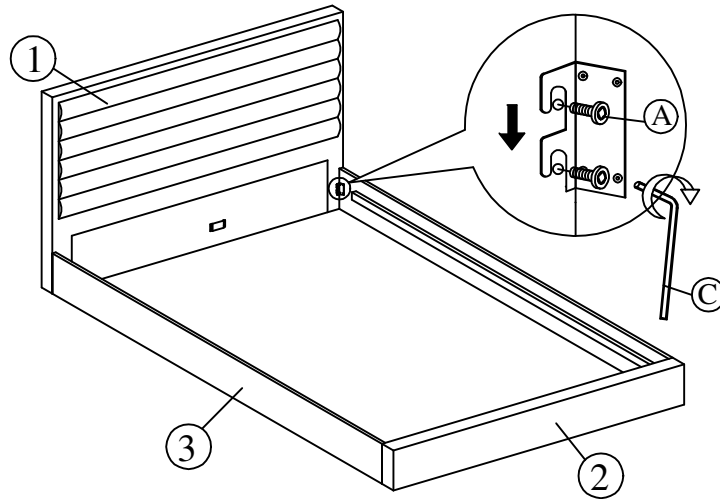
- | | | |
|----------------------------------|------------------------------|--------------------------|
| G CSK
M4 x 32mm
(6 of pcs) | H Flat Washer
(12 of pcs) | I Adjuster
(3 of pcs) |
|----------------------------------|------------------------------|--------------------------|



ASSEMBLY INSTRUCTION

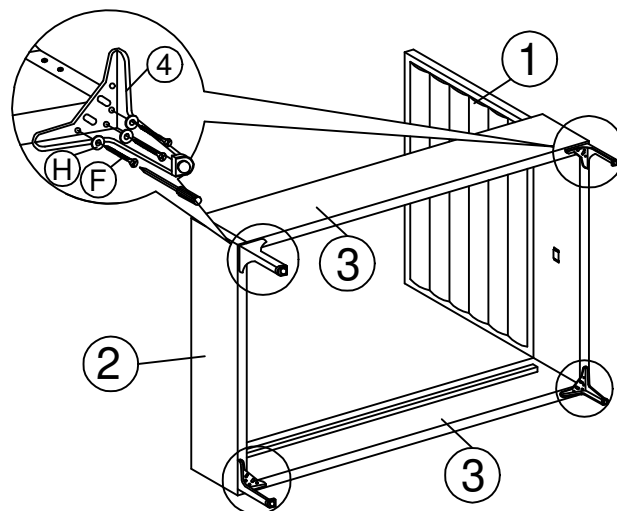
FULL

①



②

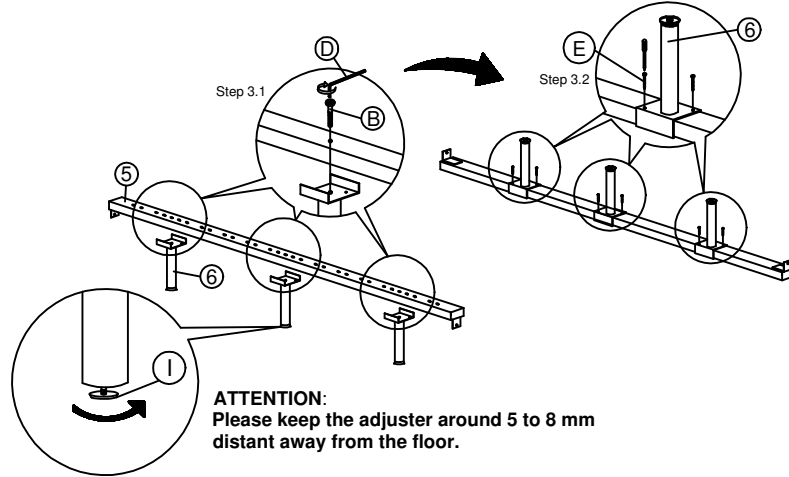
Tilt frame to one side to attach the legs onto the side rails and headboard.
Note: There are no pre-drilled holes.
Please use the wood screws to attach into the wood frame.



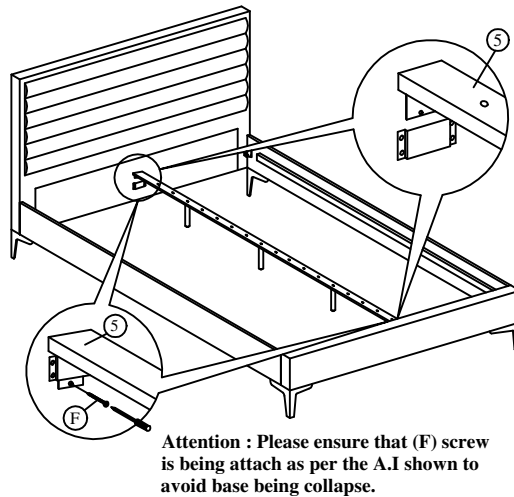
ASSEMBLY INSTRUCTION

FULL

3



4



5

When installing slat, ensure that curve is facing upwards. (✓) (X)

