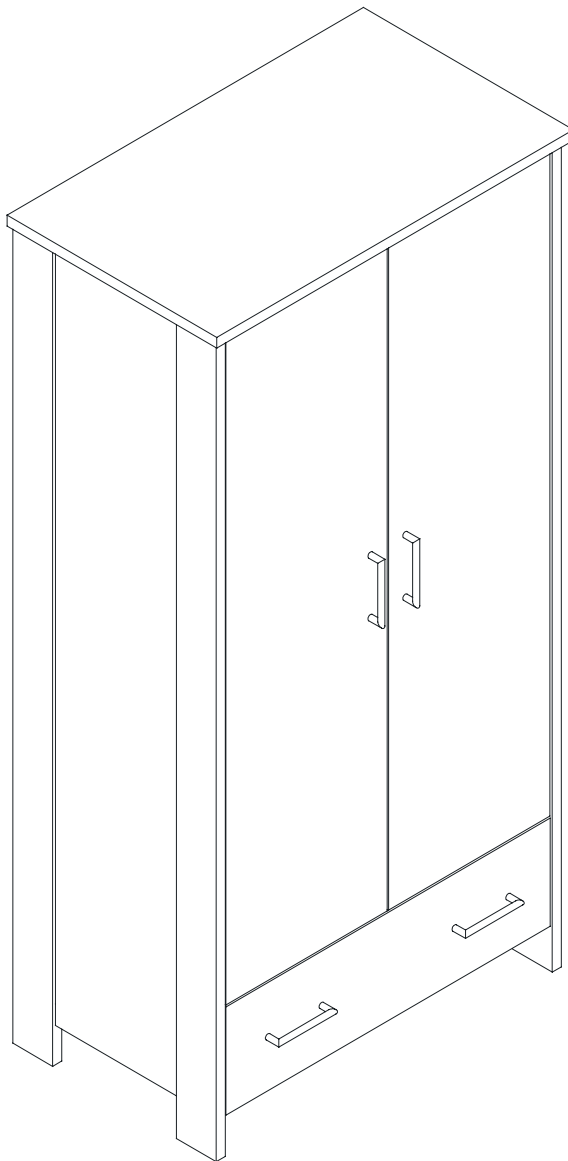




Nika Double Wardrobe

Instructions

Version: R1-0-4



**IMPORTANT
KEEP FOR FUTURE REFERENCE**



Safety Warnings

Thank you for choosing Obaby. This wardrobe conforms to FIRA/FROG C001 & C004:2016
To ensure that your wardrobe is used in accordance with these instructions, please read them fully.

Your child's safety may be affected if you do not follow these instructions.

WARNING: Installation shall be carried out exactly according to the manufacturers instructions - otherwise a safety risk can occur if incorrectly installed.

WARNING: Assembly should be carried out by a competent adult only.

WARNING: In order to prevent tipping this product must be used with the wall attachment devices provided. Serious or fatal crushing injuries can occur from furniture tipping over.

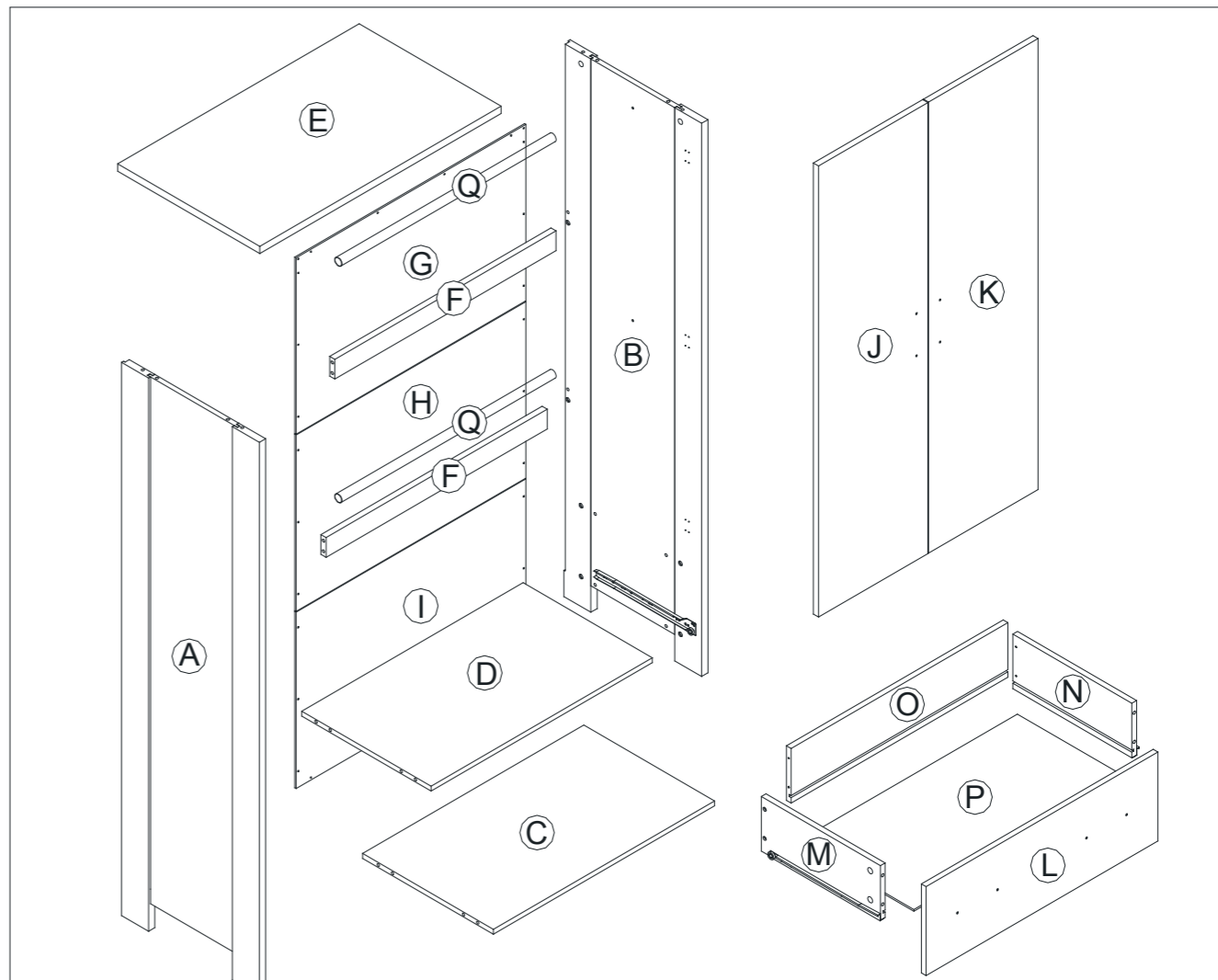
- Be aware of the risk of open fire and other sources of heat, such as electric bar fires, gas fires, etc. in the near vicinity of the wardrobe.
- Do not use the wardrobe if any part is broken or missing. Use only spare parts approved by the manufacturer.
- All assembly fittings should be tightened properly and care should be taken to ensure that no screws are loose, as a child could trap parts of the body, or clothing (e.g. ribbons, drawstrings, necklaces) this could lead to strangulation.
- Regularly check that all fittings and components of the wardrobe are fully tightened and in working order.
- Wood is a natural material, the colour will darken with age.
- During assembly children should be kept away from the product due to possible risk of injury.

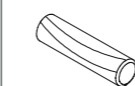
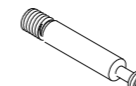



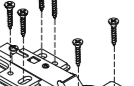





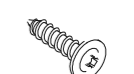
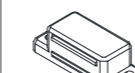



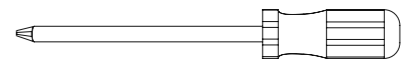
ROUTINE CARE & MAINTENANCE

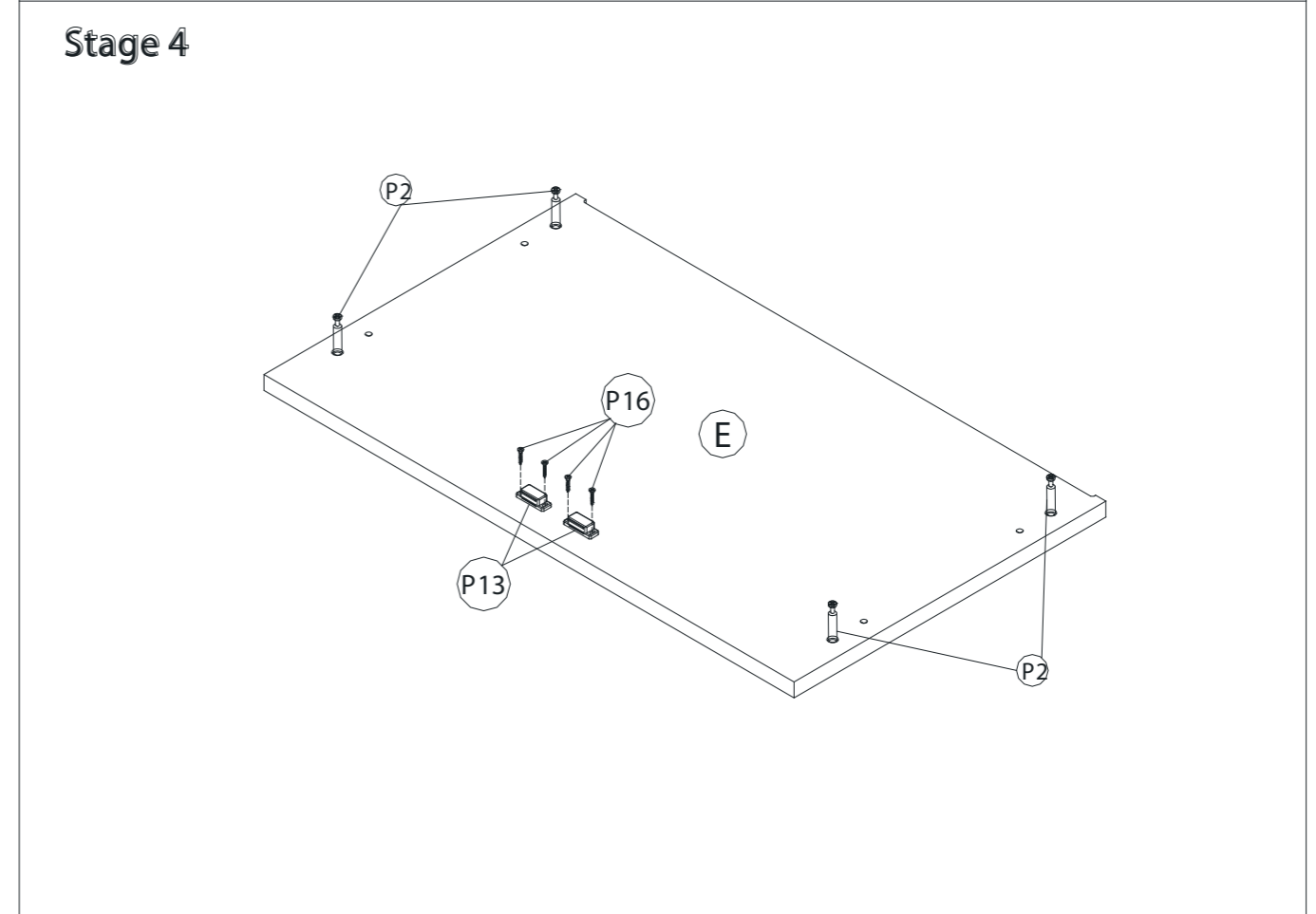
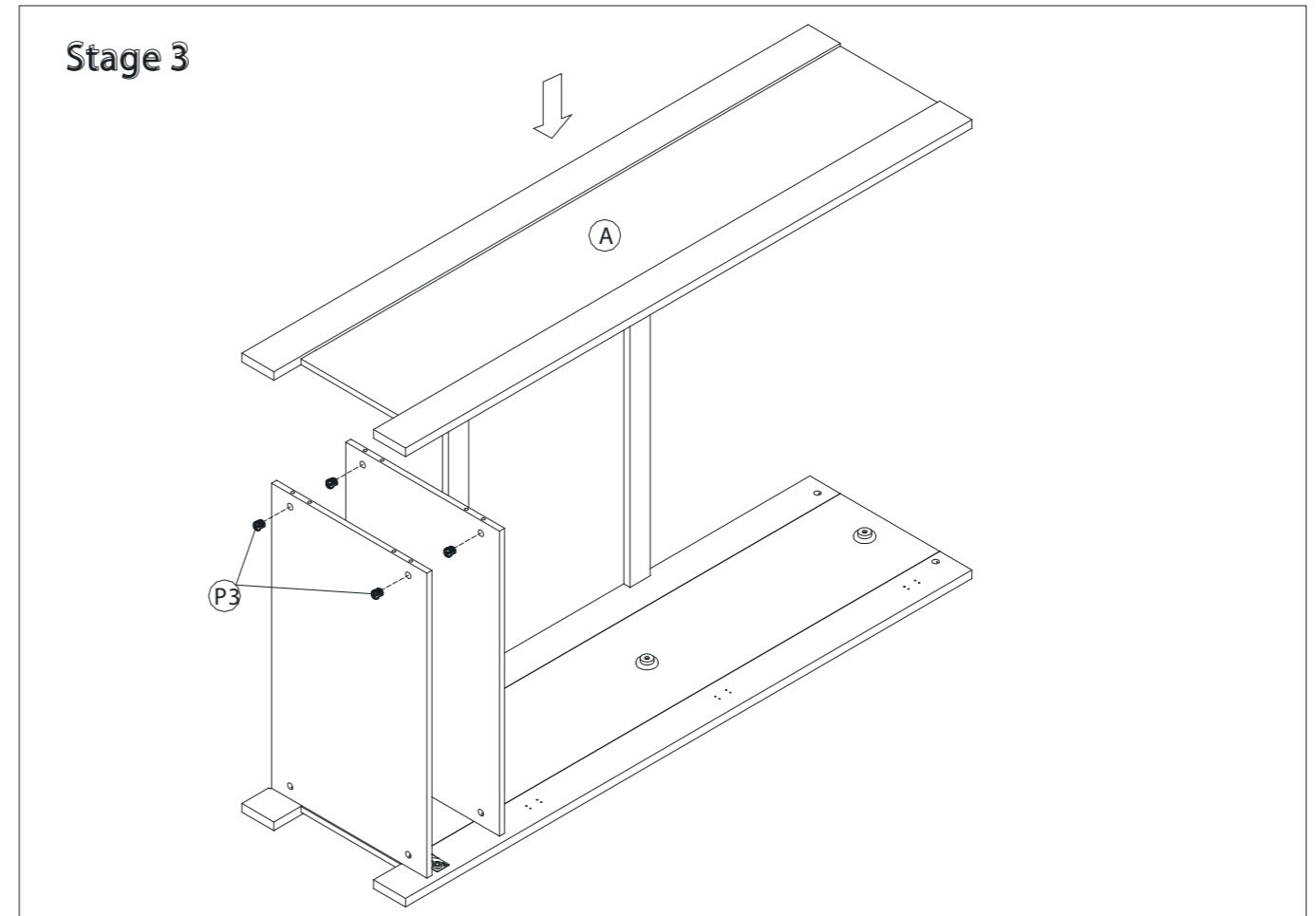
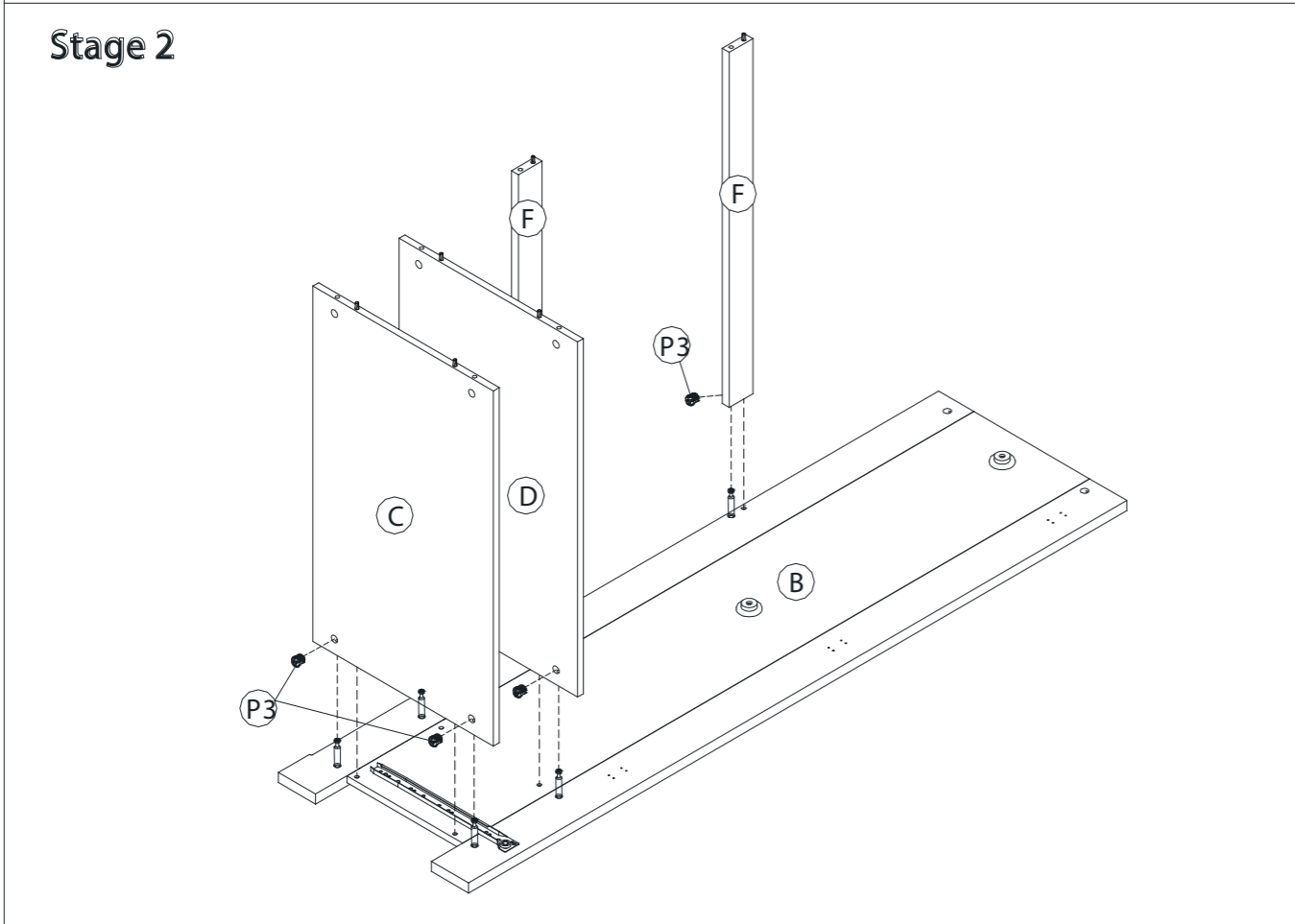
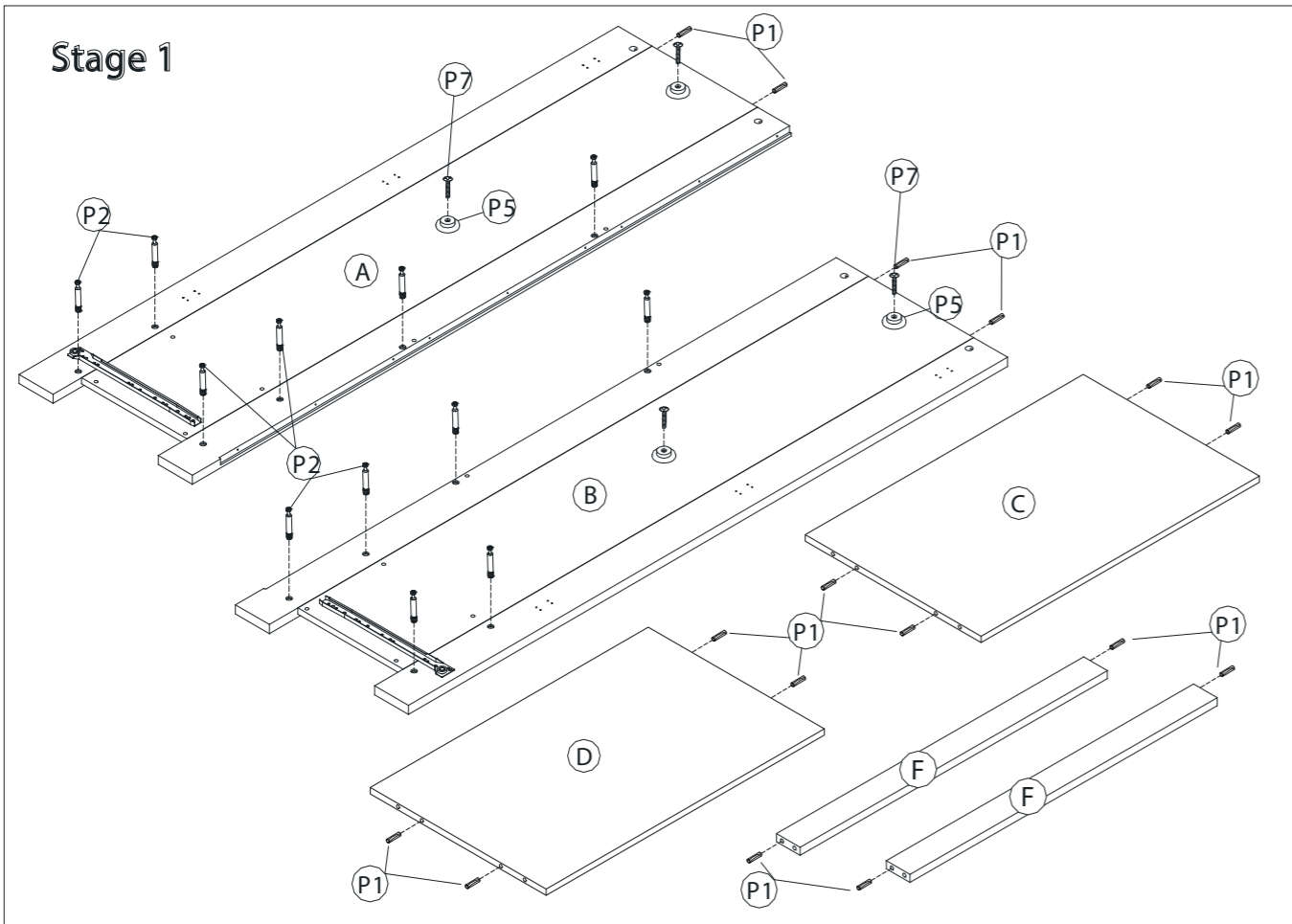
- For cleaning, use only a mild detergent and warm water.
- DO NOT USE BLEACH.
- DO NOT USE any abrasive substances.
- Take care when handling or moving furniture, careless handling can damage wooden furniture.

Due to constant updating and improvements, some components may occasionally differ slightly from the images shown in these instructions. We reserve the rights to change the specifications of any products without prior notice. If you need any assistance please contact your Obaby retailer from whom you purchased your product, who will take appropriate action.

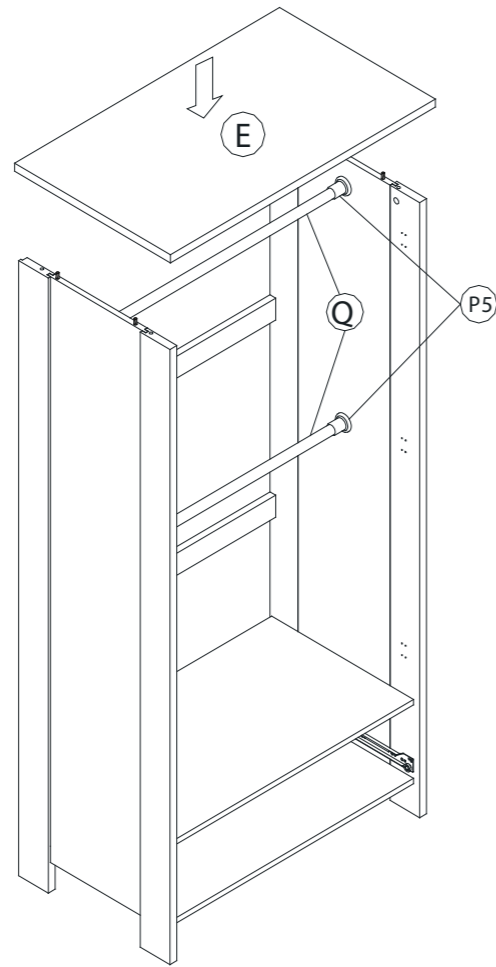
Parts List



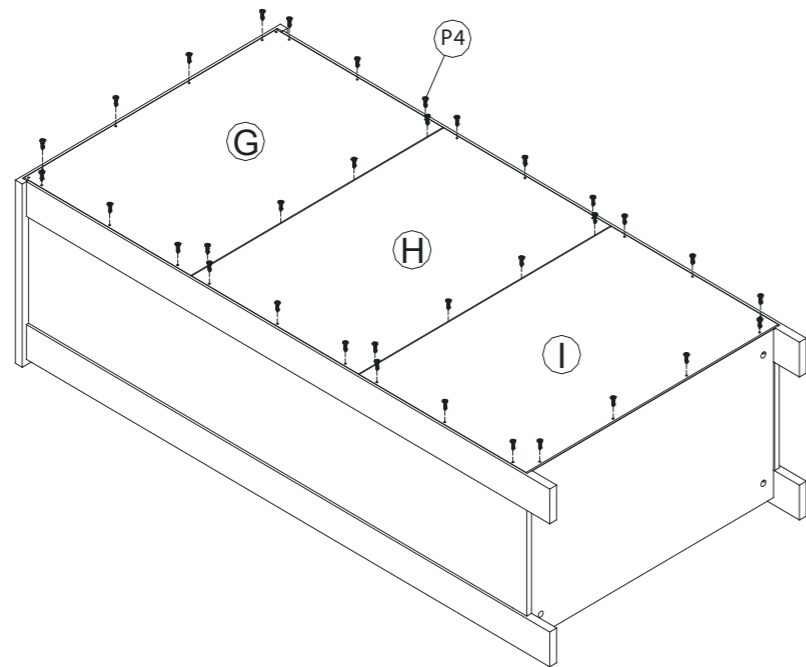
P1  x18	P2  x20	P3  x20	P4  15mm x34	P5  x4	P6  x6
P7  20mm x4	P8  x4	P9  25mm x8	P10  30mm x4	P11  x2	P12  20mm x2
P13  x2	P14  x2	P15  10mm x4	P16  15mm x4	 additional tools required (not included)	



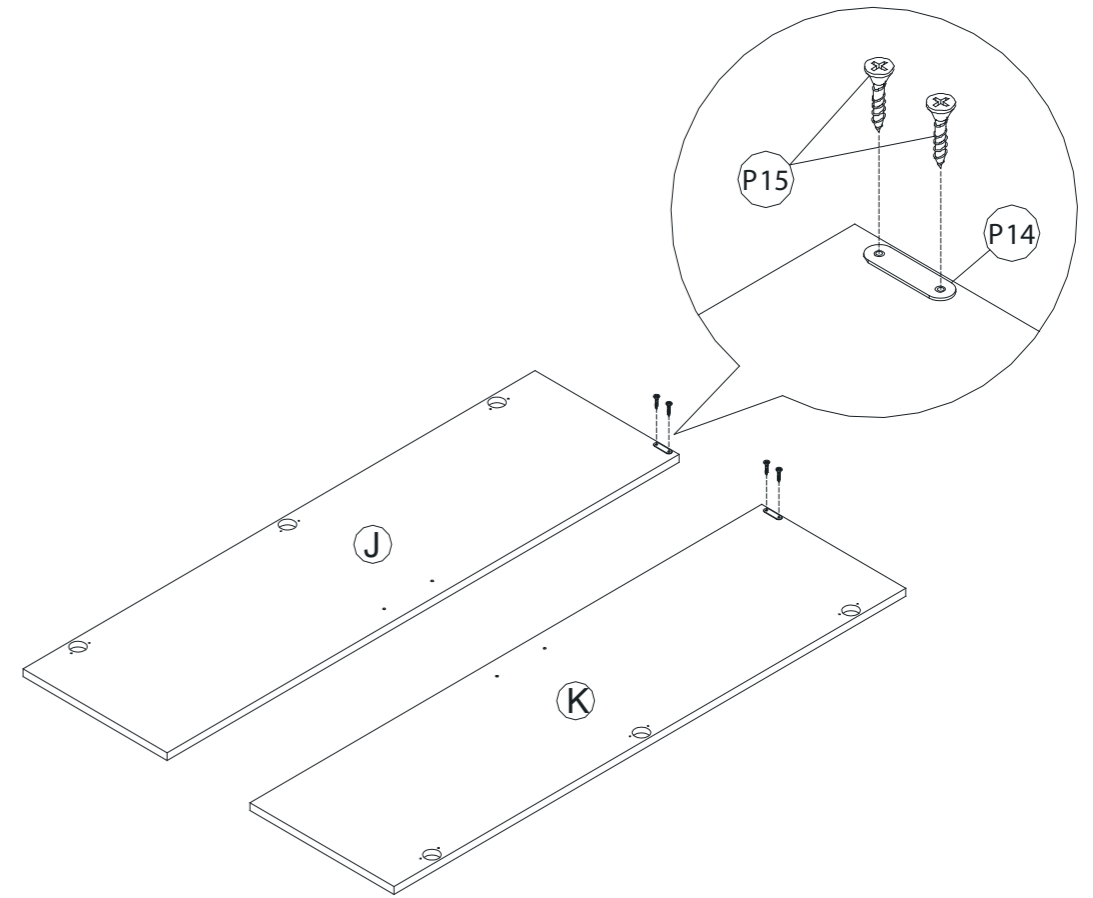
Stage 5



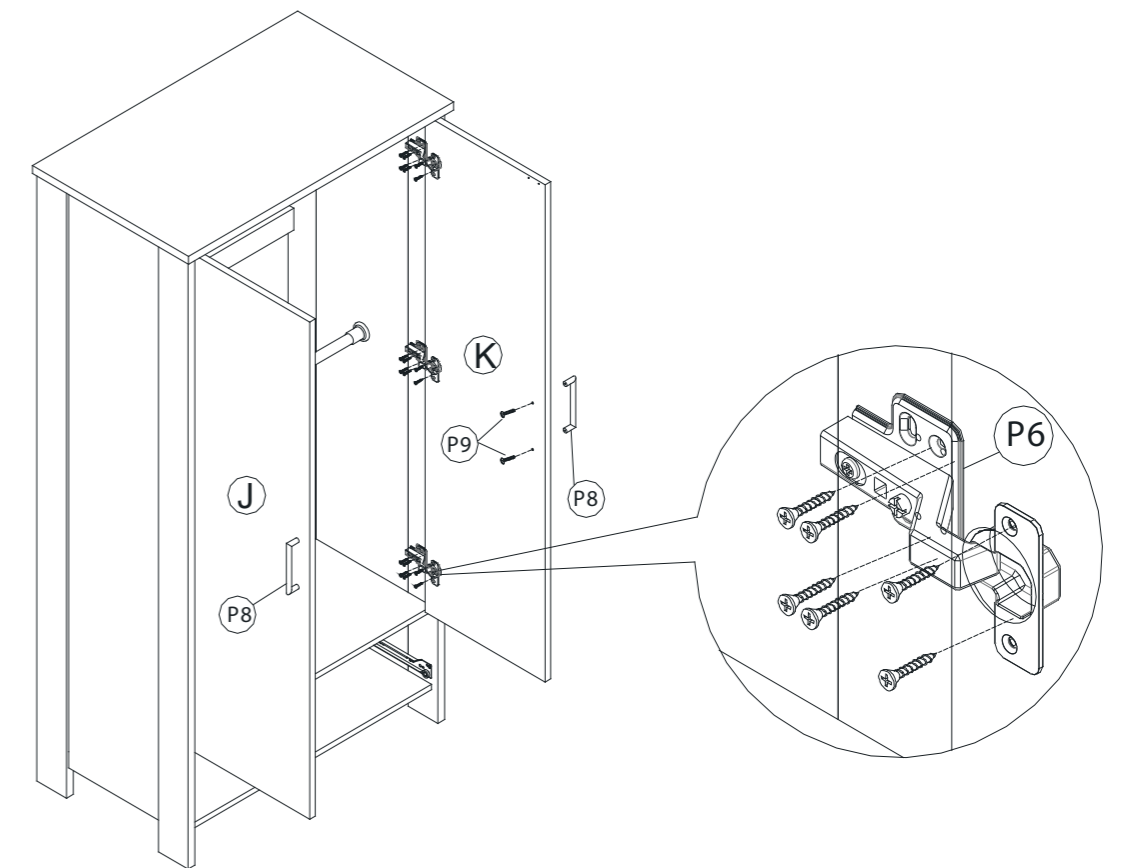
Stage 6



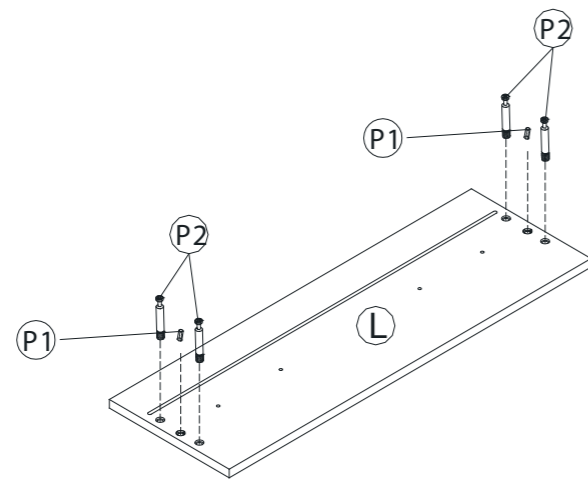
Stage 7



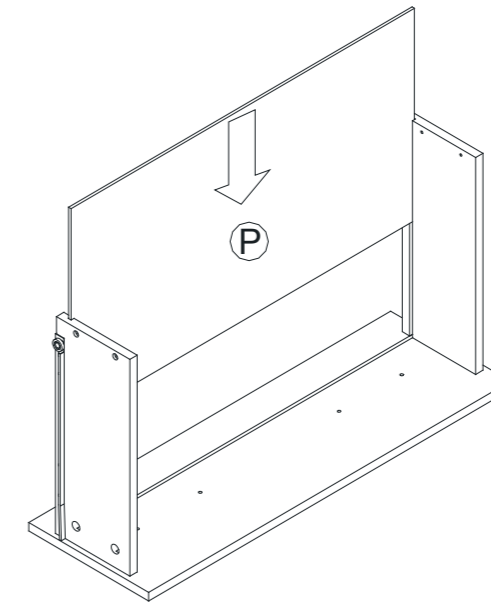
Stage 8



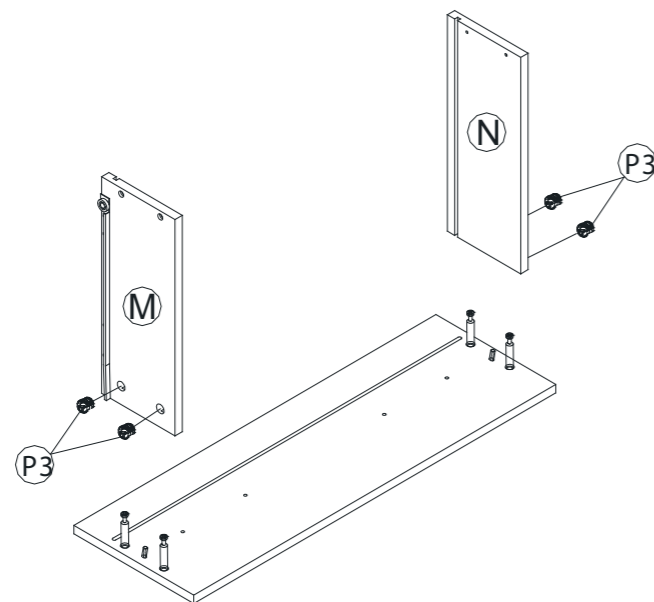
Stage 9



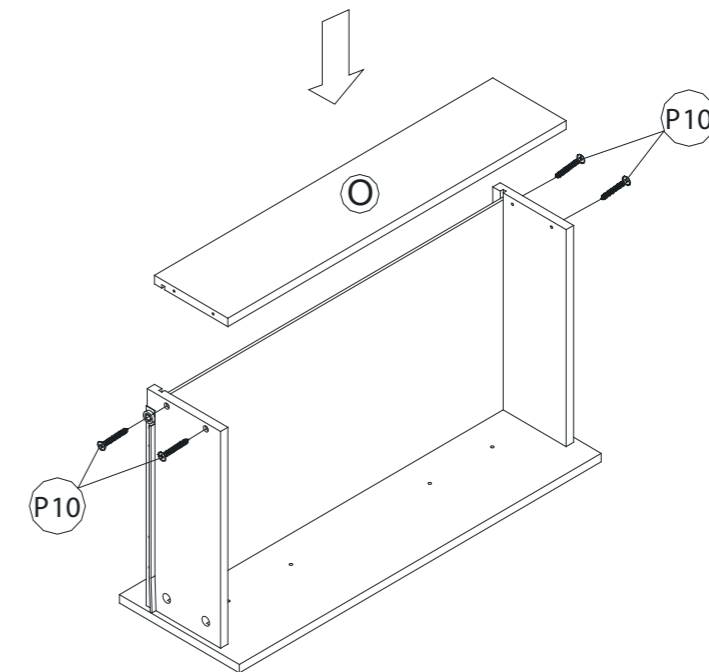
Stage 11



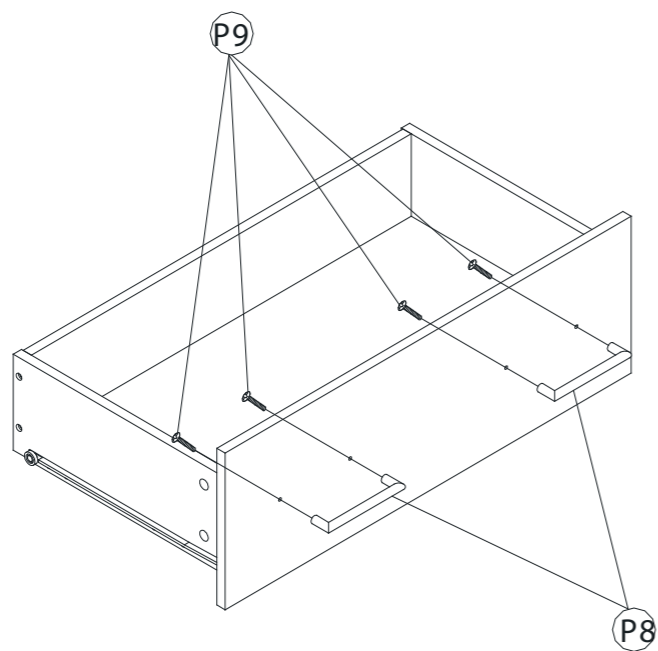
Stage 10



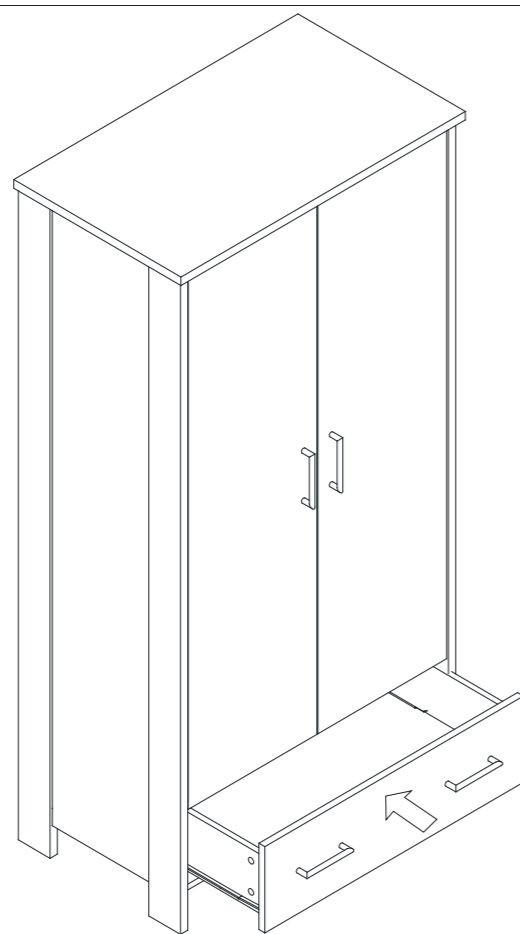
Stage 12



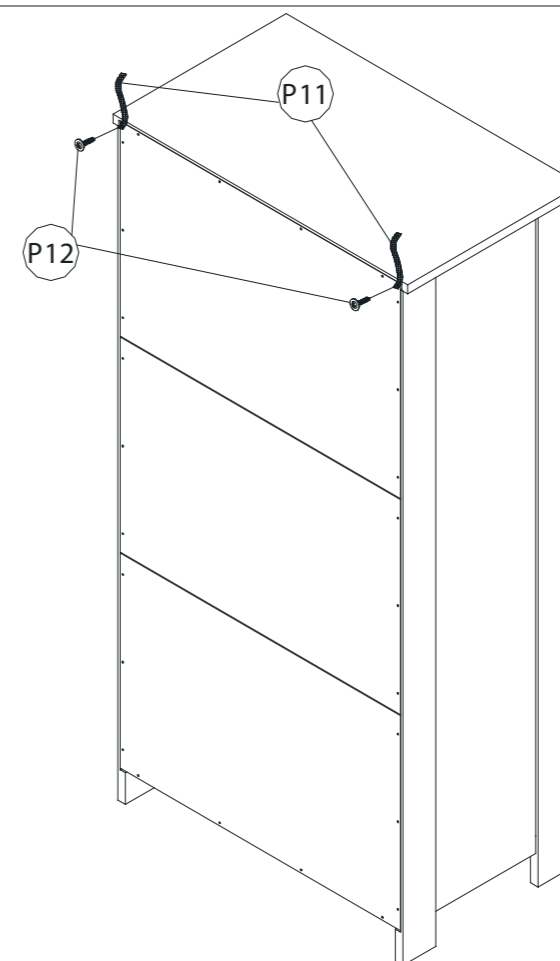
Stage 13



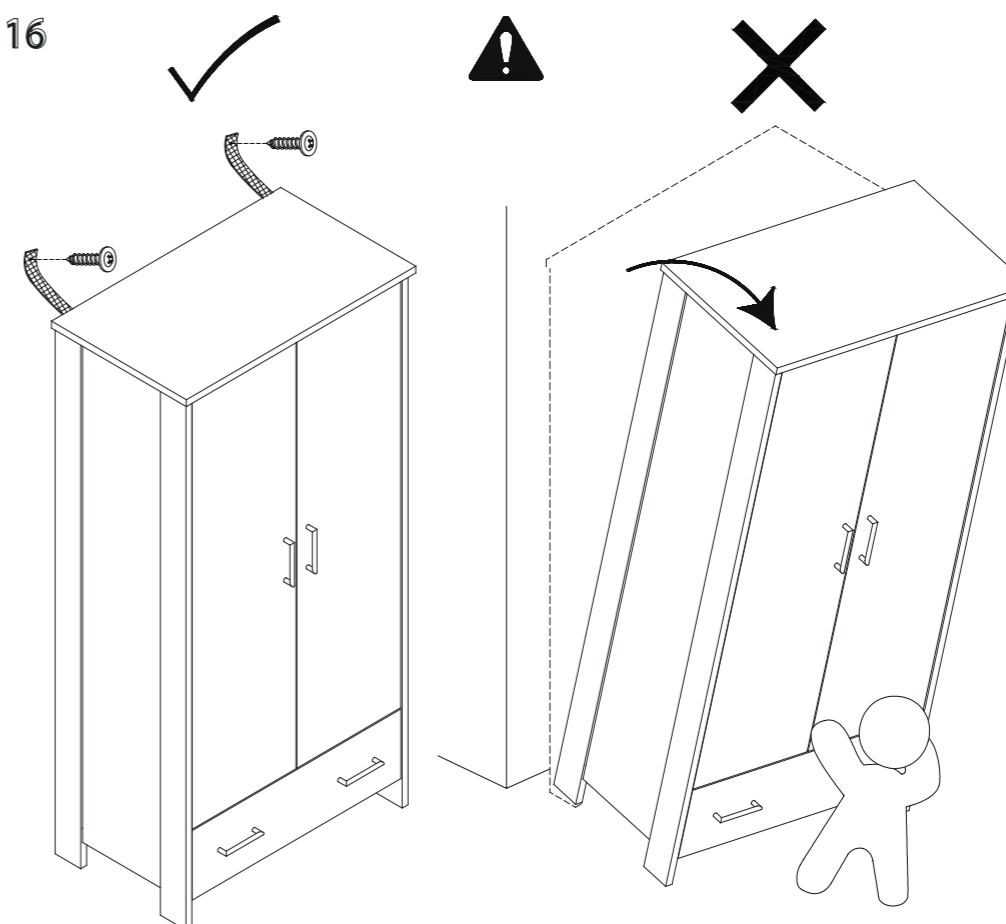
Stage 14



Stage 15



Stage 16



Safety Warnings

WARNING!

IN ORDER TO PREVENT TIPPING THIS PRODUCT MUST BE USED WITH THE WALL ATTACHMENT DEVICES PROVIDED.

Serious or fatal crushing injuries can occur from furniture tipping over. To help prevent tipping:

- Use the wall attachment devices provided
- Never allow children to climb or hang on drawers, doors or shelves
- Place heaviest items in the lower drawers or shelves
- Do not set TVs or other heavy objects on top of this product
- Never open more than one drawer at a time

Attachment devices are provided with your product, however you will need to source suitable fixings for your wall type. If in doubt, please consult a qualified tradesperson.

Always ensure the wall to be drilled is free from hidden electrical wires, water and gas pipes.

