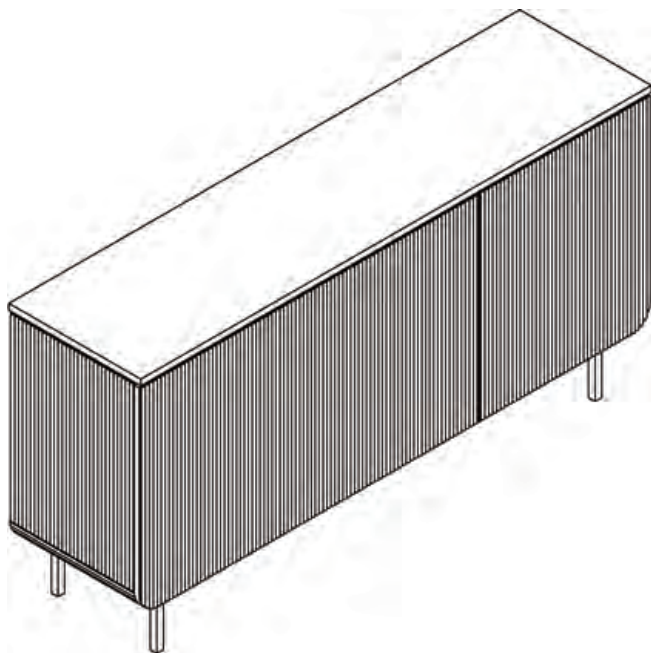


# **SIDEBOARD**

## **ASSEMBLY GUIDE**



**Important - Please read these instructions fully before starting assembly**



**SAFETY AND  
CARE ADVICE**



**NO POWER TOOLS**

## **SAFETY AND CARE ADVICE**

- Check you have all the components and tools listed.
- Remove all fittings from the plastic bags and separate them into their groups.
- We do not recommend the use of power drills/drivers for inserting screws, as this could damage the unit. Only use hand screwdrivers and Allen keys.
- Keep children and animals away from the work area, small parts could cause choking if swallowed.
- Make sure you have enough space to lay out the parts before starting.
- Assemble the item as close to its final position (in the same room) as possible.
- Do not overtighten the nuts to avoid causing damage to the threads.
- Only clean using a damp cloth and mild detergent, do not use bleach or abrasive cleaners.
- From time to time check that there are no loose screws on this unit.
- This product should not be discarded with household waste. Take to your local authority waste disposal centre.

## IMPORTANT INFORMATION



60 MINUTE  
BUILD



TWO  
PERSON



MAXIMUM  
CAPACITY 80Kg

**PLEASE CHECK CAREFULLY AND MAKE SURE YOU HAVE ALL FITTINGS AND TOOLS LISTED BELOW BEFORE YOU START.**

### Parts Key:

Label	Part Name	Image / Drawing	Quantify
A	Top Panel		1
B	Top Connecting Plate		1
C	Side Panel		2
D	Bottom Panel		1

# IMPORTANT INFORMATION



60 MINUTE  
BUILD



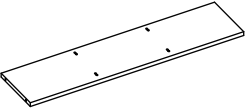
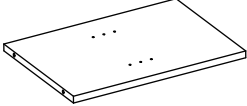
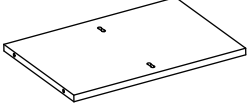
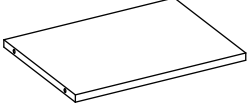
TWO  
PERSON



MAXIMUM  
CAPACITY 80Kg

PLEASE CHECK CAREFULLY AND MAKE SURE YOU HAVE ALL FITTINGS AND TOOLS LISTED BELOW BEFORE YOU START.

## Parts Key:

Label	Part Name	Image / Drawing	Quantify
E	Bottom Connecting Plate		1
F	Left Divider Panel		1
G	Right Divider Panel		1
H	Middle Shelf		1

# IMPORTANT INFORMATION



60 MINUTE  
BUILD



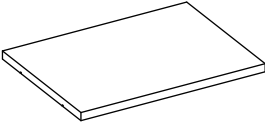
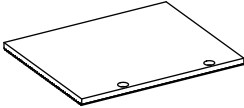
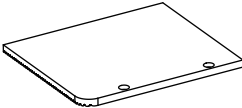
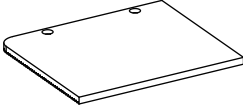
TWO  
PERSON



MAXIMUM  
CAPACITY 80Kg

PLEASE CHECK CAREFULLY AND MAKE SURE YOU HAVE ALL FITTINGS AND TOOLS LISTED BELOW BEFORE YOU START.

## Parts Key:

Label	Part Name	Image / Drawing	Quantify
I	Side Shelf		2
J	Middle Door		1
K	Left Side Door		1
L	Right Side Door		1

# IMPORTANT INFORMATION



60 MINUTE  
BUILD



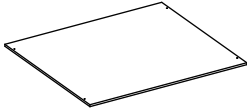

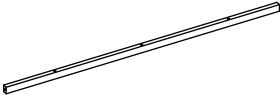
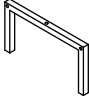
TWO  
PERSON



MAXIMUM  
CAPACITY 80Kg

PLEASE CHECK CAREFULLY AND MAKE SURE YOU HAVE ALL FITTINGS AND TOOLS LISTED BELOW BEFORE YOU START.

## Parts Key:

Label	Part Name	Image / Drawing	Quantify
M	Middle Back Panel		1
N	Side Back Panel		2
O	Aprons		2
P	Legs		2

# IMPORTANT INFORMATION



60 MINUTE  
BUILD










TWO  
PERSON



MAXIMUM  
CAPACITY 80Kg

PLEASE CHECK CAREFULLY AND MAKE SURE YOU HAVE ALL FITTINGS AND TOOLS LISTED BELOW BEFORE YOU START.

## Hardware Key:

Label	Hardware Description	Image / Drawing	Size(mm)	Quantify
H1	Allen Key		5#	1
H2	Dowels		Ø8x30mm	4
H3	Bolts		M6x16mm	2
H4	Bolts		M6x35mm	12
H5	Bolts		M6x90mm	8
H6	Screws		M3.5x16mm	62
H7	Washers		Ø6x16mm	22

**NOTE:** The quantities above are the correct amount to complete the assembly. In some cases more fittings may be supplied than are required.

# IMPORTANT INFORMATION



60 MINUTE  
BUILD



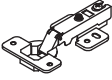
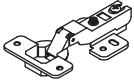
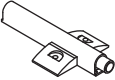



TWO  
PERSON



MAXIMUM  
CAPACITY 80Kg

PLEASE CHECK CAREFULLY AND MAKE SURE YOU HAVE ALL FITTINGS AND TOOLS LISTED BELOW BEFORE YOU START.

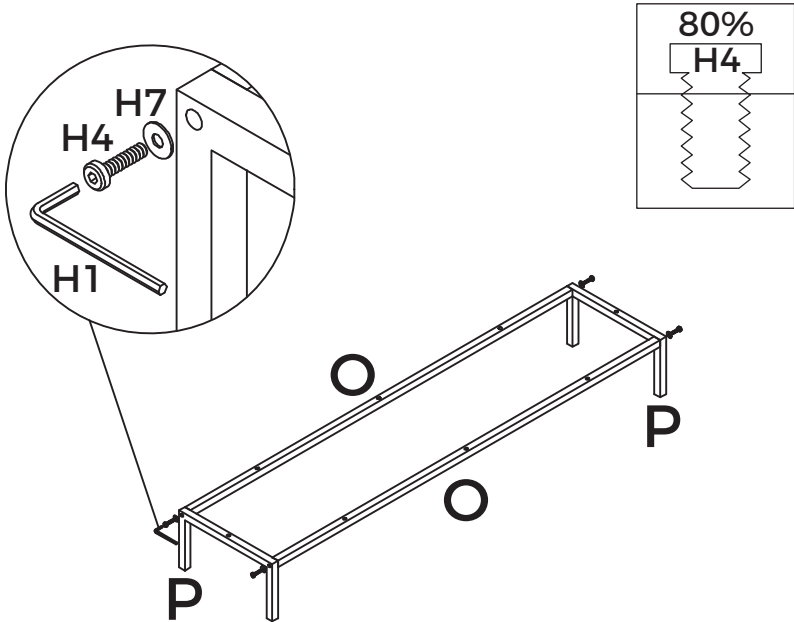
## Hardware Key:

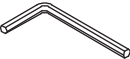


Label	Hardware Description	Image / Drawing	Size(mm)	Quantify
H8	Hinges			4
H9	Hinges			2
H10	Push-Open			3
H11	Shelf Pins			8
H12	Back Panel Clip			4
H13	L-Bracket			2

**NOTE:** The quantities above are the correct amount to complete the assembly. In some cases more fittings may be supplied than are required.

# STEP 1

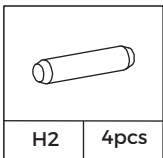
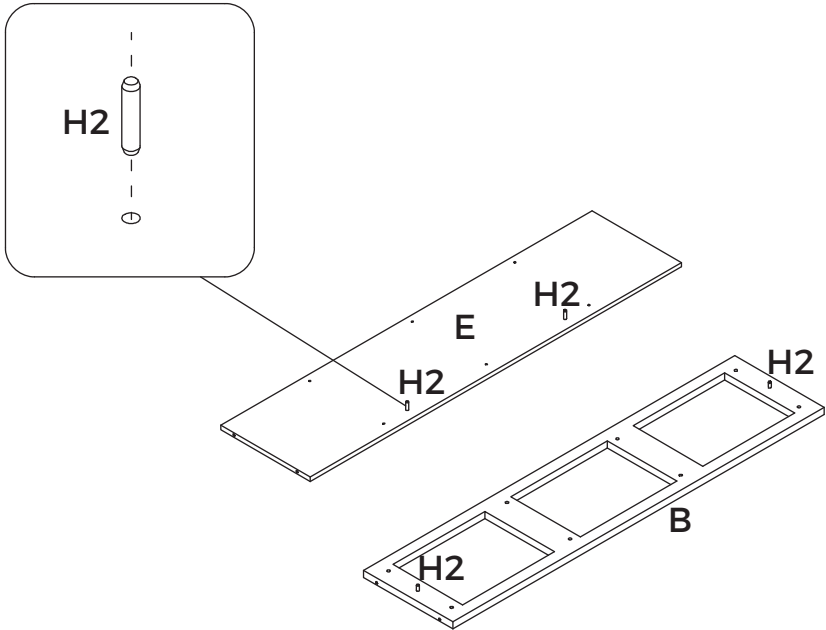
Loosely attach 2 x Legs (Part P) to 2 x Aprons (Part O) using 4 x Bolts (H4) and 4 x Washers (H7) with Allen key (H1).



					
H1	1pcs	H4	4pcs	H7	4pcs

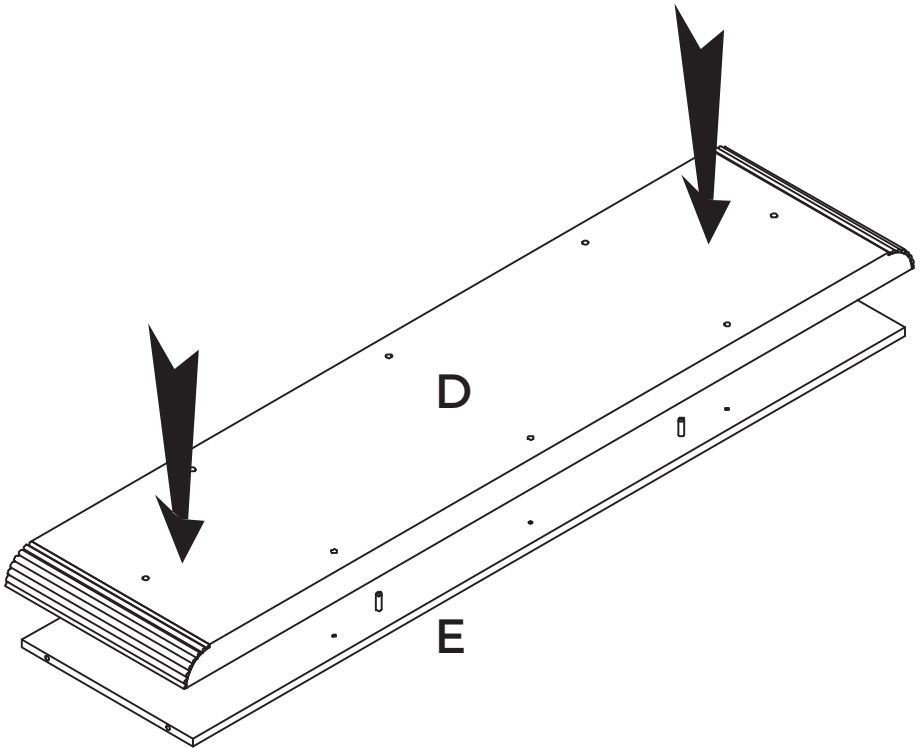
## STEP 2

Insert 4 x Dowels (H2) into Top connecting plate (Part B) and Bottom connecting plate (Part E) as shown.



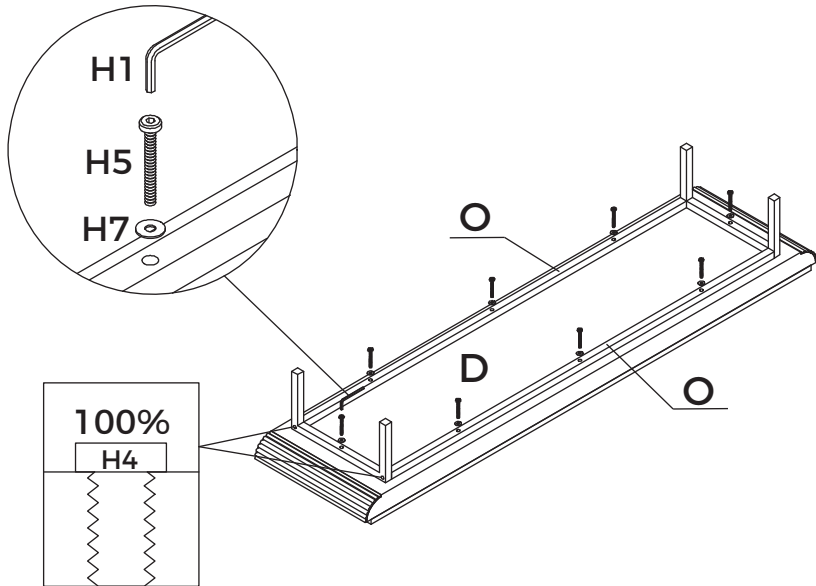
## STEP 3

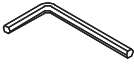


Place Bottom panel (Part D) on Bottom connecting plate (Part E), making sure the holes are aligned.



# STEP 4

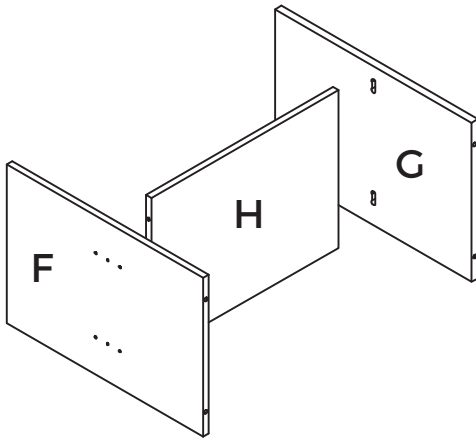
Attach 2 x Aprons (Part O) and 2 x Legs (Part P) to Bottom panel (Part D) using 8 x Bolts (H5) and 8 x Washers (H7) with Allen key (H1). Fully tighten the Bolts (H4) with Allen key (H1).



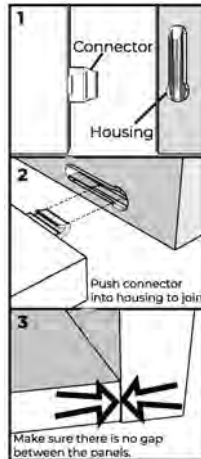
					
H1	1pcs	H5	8pcs	H7	8pcs

## STEP 5

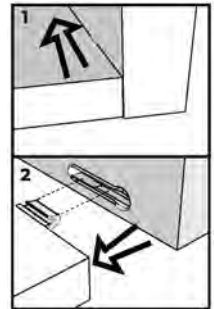
Attach Left divider panel (Part F) and Right divider panel (Part G) to Middle shelf (Part H) as shown.



assembly instruction



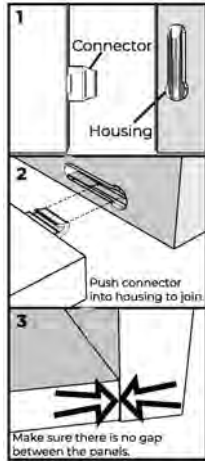
disassembly instruction



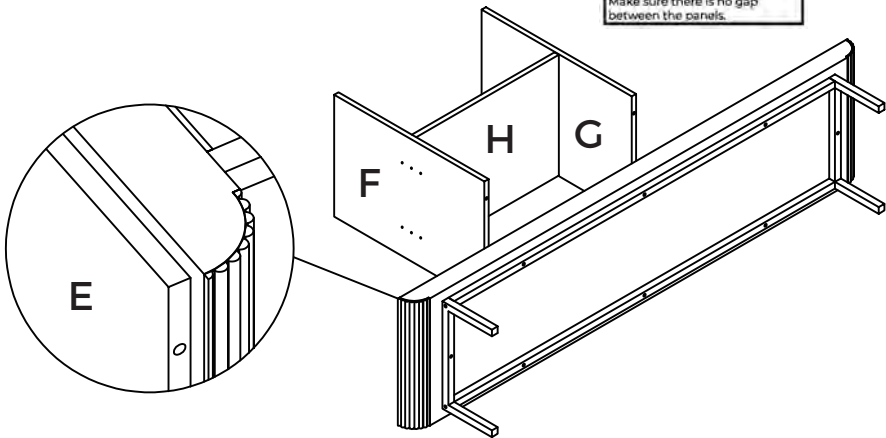
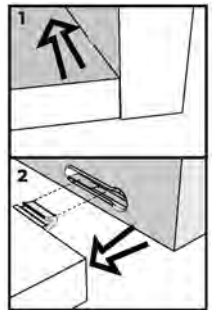
# STEP 6

Attach Left divider panel (Part F) and Right divider panel (Part G) to Bottom connecting plate (Part E) as shown.

assembly instruction

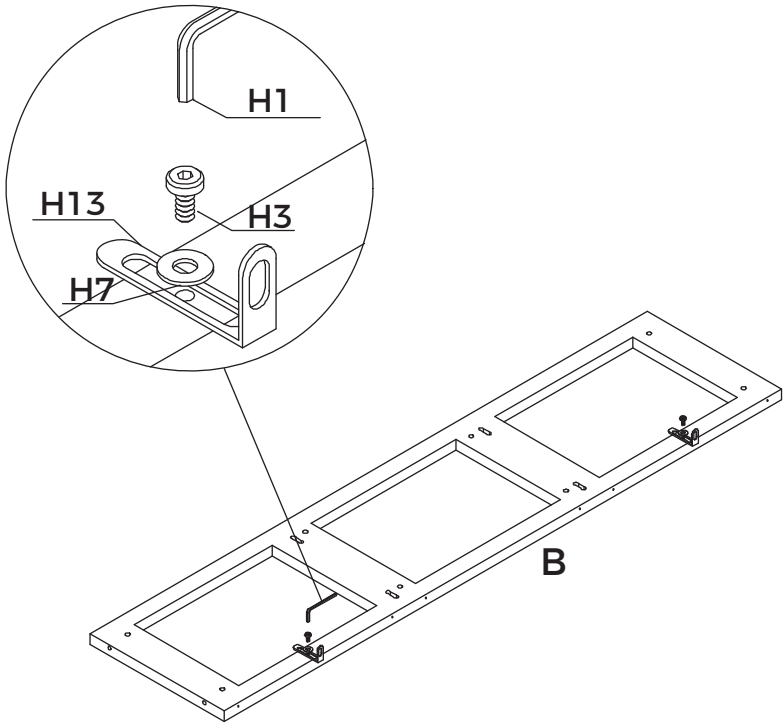


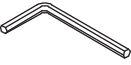



disassembly instruction



# STEP 7

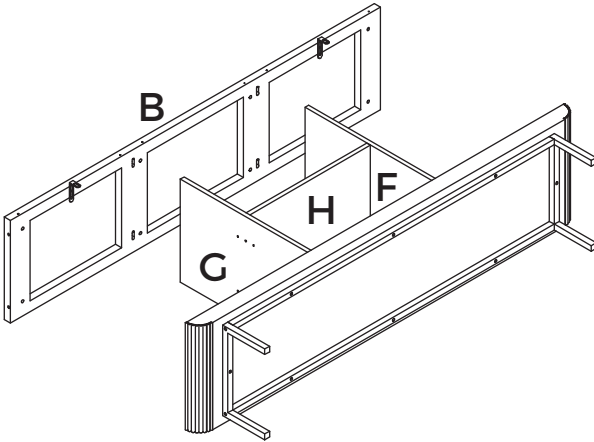
Attach 2 x L-bracket (H13) to Top connecting plate (Part B) using 2 x Bolts (H3) and 2 x Washers (H7) with Allen key (H1).



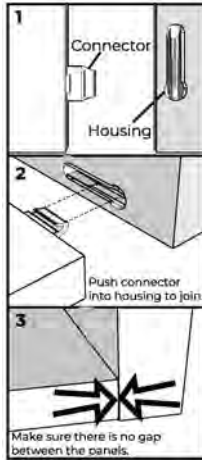
							
H1	1pcs	H3	2pcs	H7	2pcs	H13	2pcs

# STEP 8

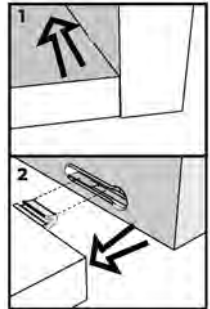
Attach Left divider panel (Part F) and Right divider panel (Part G) to Top connecting plate (Part B) as shown.



assembly instruction

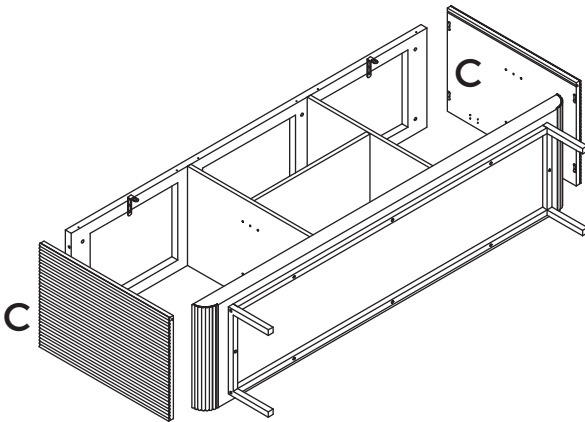


disassembly instruction

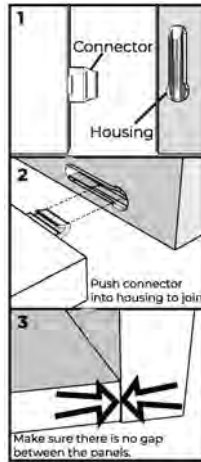


## STEP 9

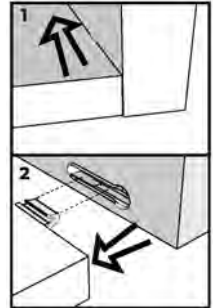
Attach 2 x Side panel (Part C) to Top connecting plate (Part B) and Bottom connecting plate (Part E) as shown.



assembly instruction

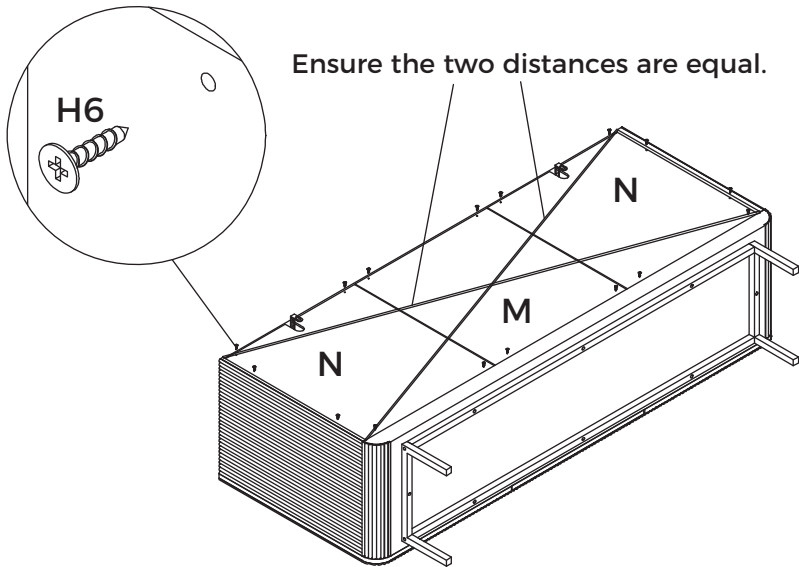



disassembly instruction



# STEP 10

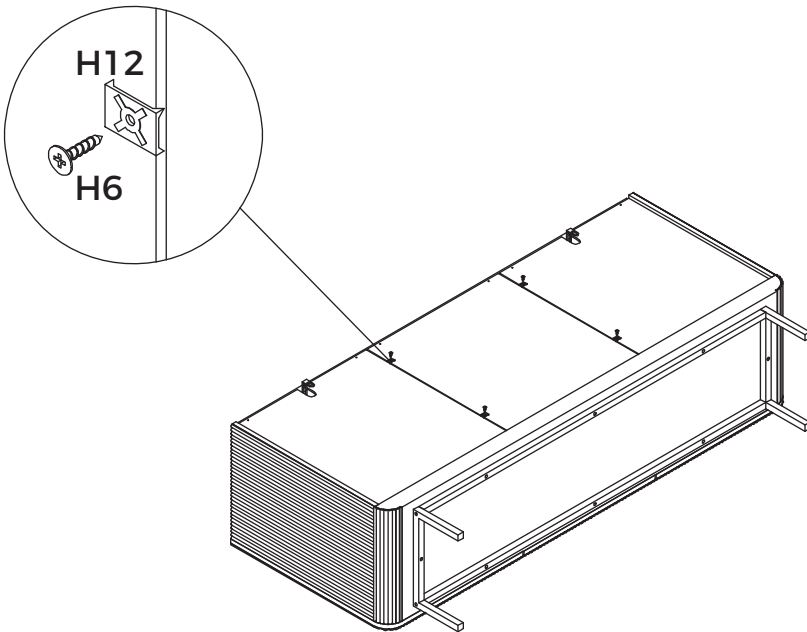
Attach Middle back panel (Part M) and 2 x Side back panel (Part N) to Frame using 16 x Screws (H6) with a Phillips Head Screwdriver.



	
H6	16pcs

# STEP 11

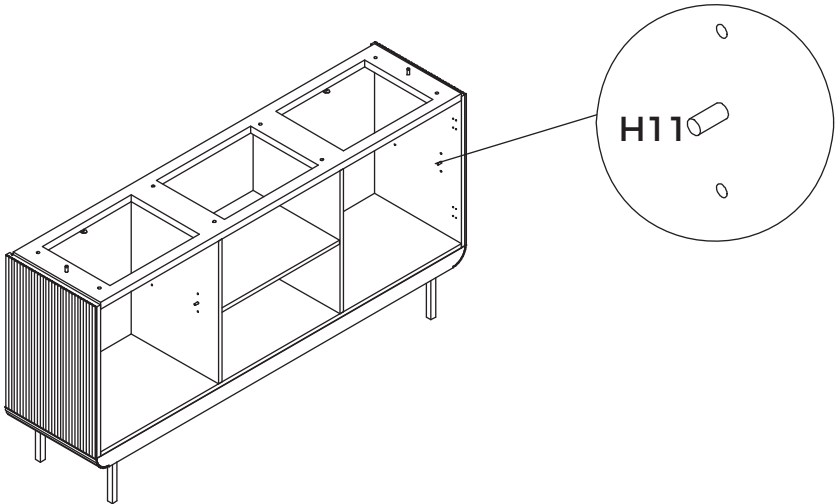
Attach 4 x Back panel clip (H12) to Back panel using 4 x Screws (H6) with a Phillips Head Screwdriver.




H6	4pcs
H12	4pcs

# STEP 12

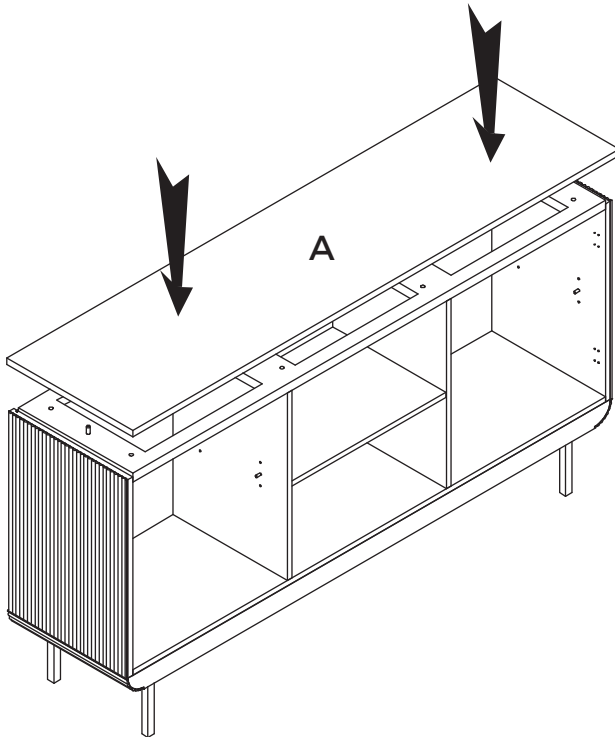
Tighten 8 x Shelf pins (H11) into the 2 x Side panel (Part C), Left divider panel (Part F) and Right divider panel (Part G) as shown.



	
H11	8pcs

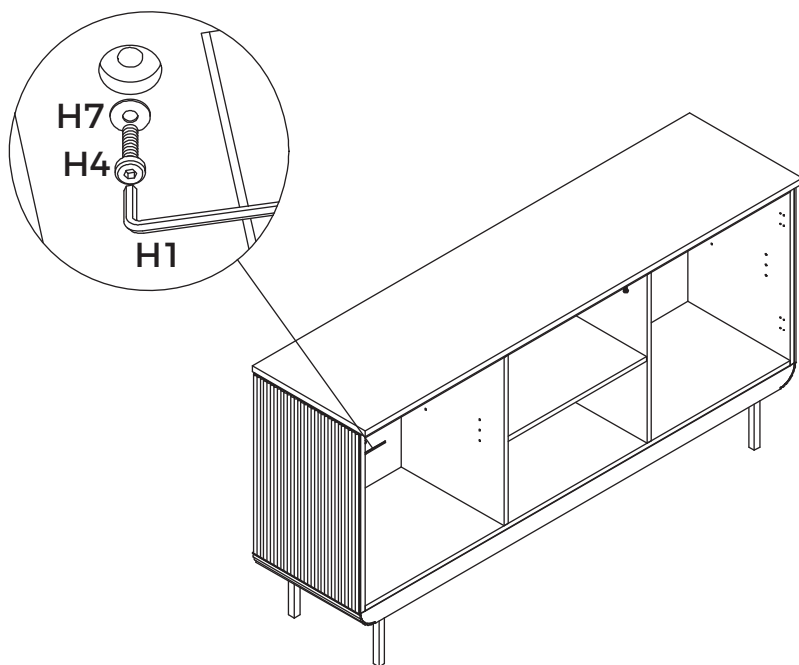
## STEP 13

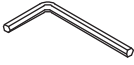


Place Top panel (Part A) on Top connecting plate (Part B), making sure the holes are aligned.



# STEP 14

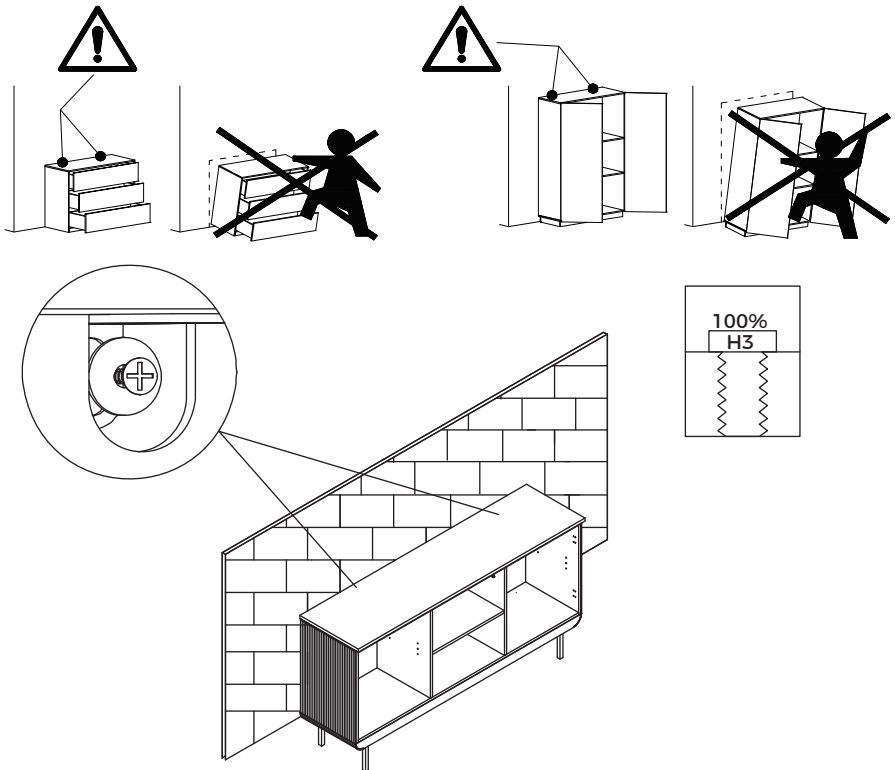
Attach Top panel (Part A) to Top connecting plate (Part B) using 8 x Bolts (H4) and 8 x Washers (H7) with Allen key (H1).



					
H1	1pcs	H4	8pcs	H7	8pcs

## STEP 15

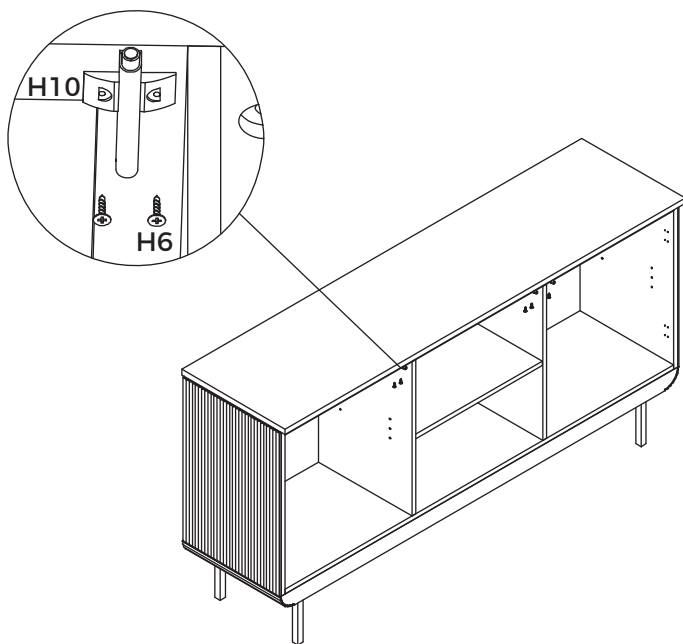
With help, move the Sideboard into position.  
 Mark fixing hole on wall and remove the Sideboard.  
 Reposition Sideboard and fix it to wall using recommended screws.  
 Fully tighten screws and Bolts (H3) on L-brackets.


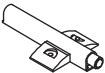


**For safety, this cabinet should be securely affixed to the wall using appropriate fixings for your wall type.  
 If in doubt, please consult a professional or seek advice from your local hardware store.**

# STEP 16

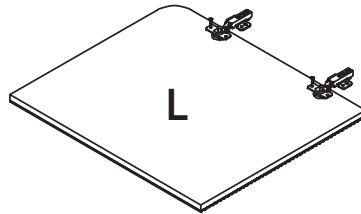
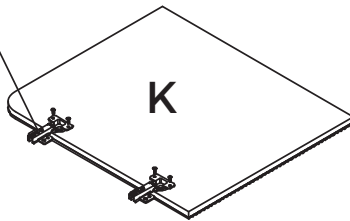
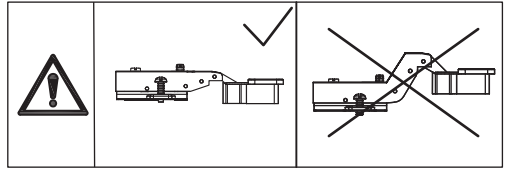
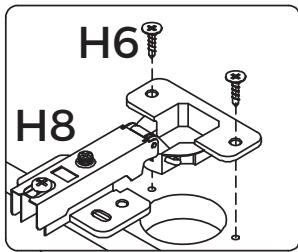
Attach 3 x Push-open (H10) to Top connecting plate (Part B) using 6 x Screws (H6) with a Phillips Head Screwdriver.





			
H6	6pcs	H10	3pcs

# STEP 17

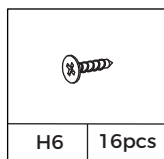
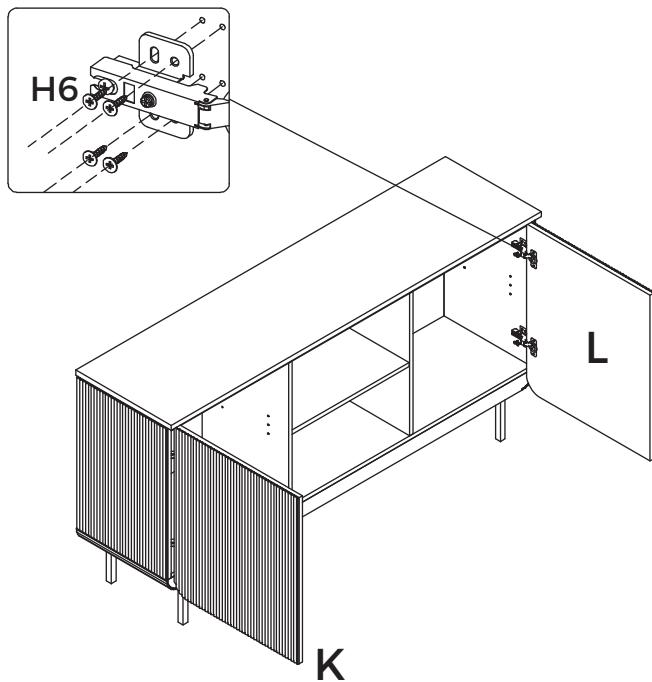
Attach 4 x Hinges (H8) to Left side door (Part K) and Right side door (Part L) using 8 x Screws (H6) with a Phillips Head Screwdriver.



			
H6	8pcs	H8	4pcs

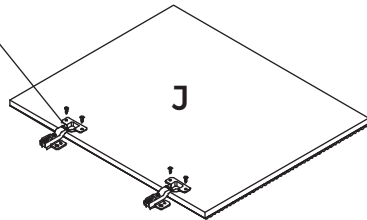
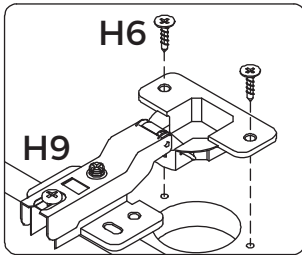
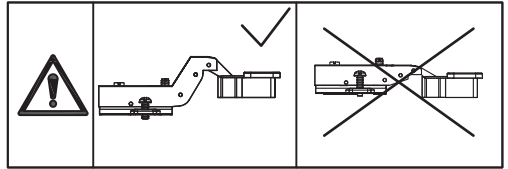
## STEP 18



Attach Left side door (Part K) and Right side door (Part L) to Side panels (Part C) using 16 x Screws (H6) with a Phillips Head Screwdriver.



# STEP 19

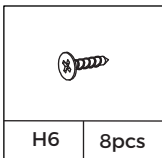
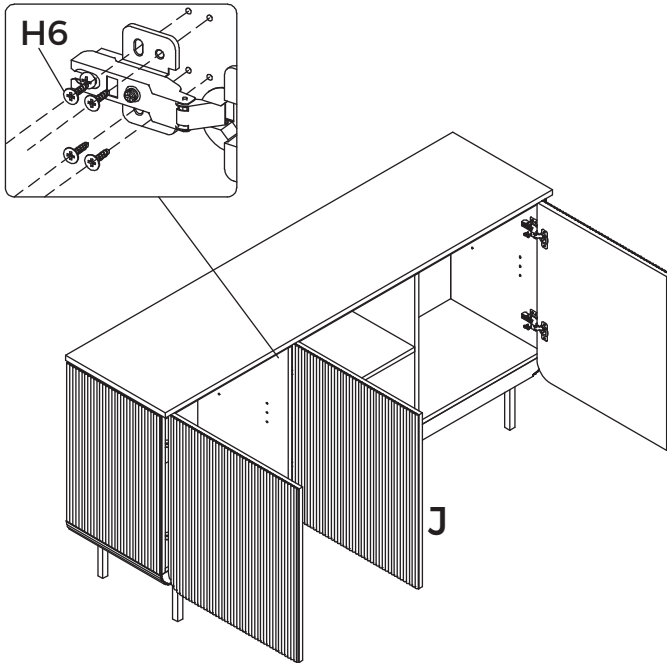
Attach 2 x Hinges (H9) to Middle door (Part J) using 4 x Screws (H6) with a Phillips Head Screwdriver.



			
H6	4pcs	H9	2pcs

# STEP 20

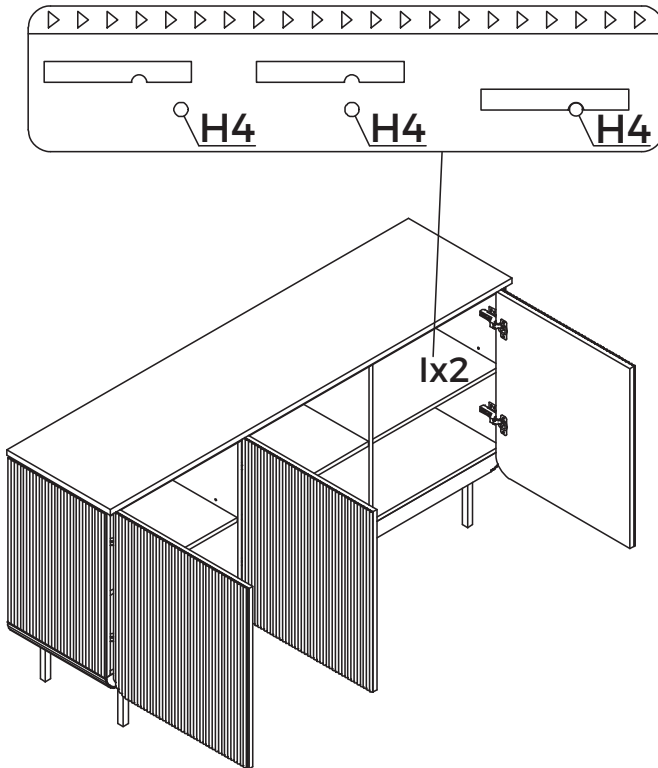
Attach Middle door (Part J) to Left divider panel (Part F) using 8 x Screws (H6) with a Phillips Head Screwdriver.



H6	8pcs
----	------

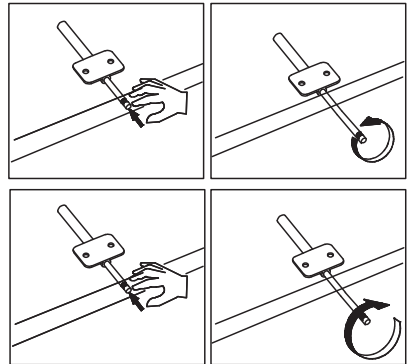
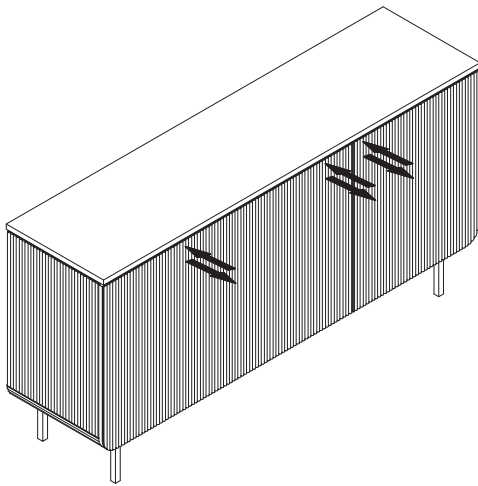
## STEP 21

Place 2 x Side shelf (Part I) into cabinet as shown by resting on the shelf pins.



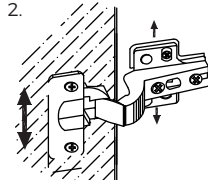
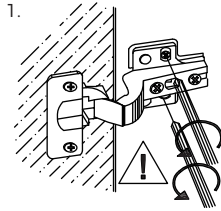
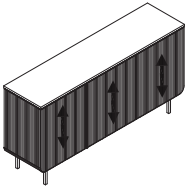
## STEP 22

After transportation the push-to-open magnetic latches may require adjustment if they are not working. See diagrams below. To adjust the latches, please push and release the piston once to allow it to extend outwards. Once extended, gently turn the piston clockwise or anti-clockwise to correct its position. Close and open the door to confirm magnetic latch is functioning correctly.

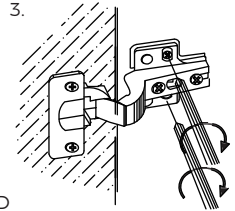


# STEP 23

Adjust the door panels upward or downward



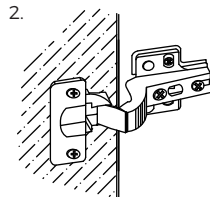
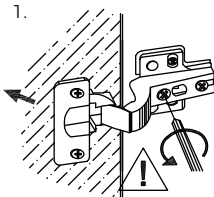
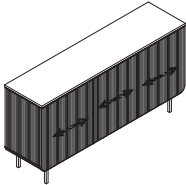
MOVE DOOR UPWARD OR DOWNWARD



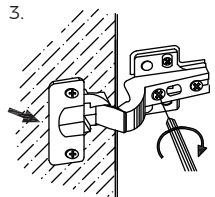
Unscrew 2 screws in round holes loosen 2 screws in oval holes a bit.

Tighten 2 screws in oval holes. Screw in 2 screws in round holes

Adjust the flush between door panel and side panel



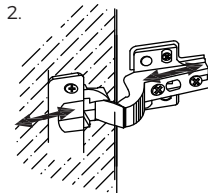
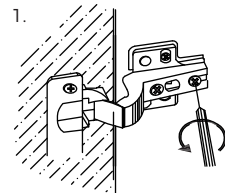
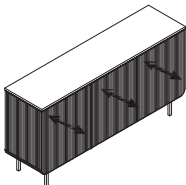
KEEP DOOR IN RIGHT POSITION



MOVE DOOR OUTWARD by turning this screw counter-clockwise

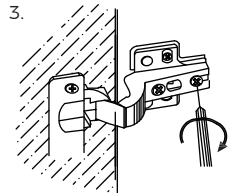
MOVE DOOR OUTWARD by turning this screw clockwise

Adjust the Gap between door panel and side panel



MOVE DOOR BACK OR FORTH

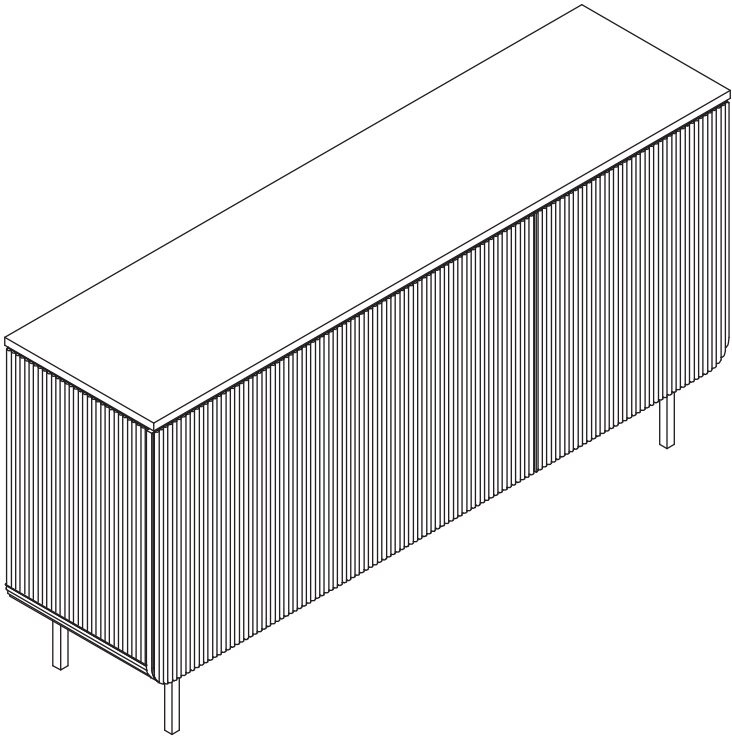
Loosen this screw a bit.



Re-tighten this screw.

# STEP 24

Your Sideboard is complete and ready to use.





# Our 2 Year **GUARANTEE**

Our products come with a 2 year guarantee, giving you extra peace of mind when shopping with us!

## *What the guarantee covers*



**PRE-INSERTED FIXINGS**  
e.g. loose metal threads



**FAULTY JOINTS**  
e.g. legs bending



**EXTERNAL FIXING FAULTS**  
e.g. metal discs removing  
from table top



**STRUCTURAL INTEGRITY**  
e.g. the frame of the  
product