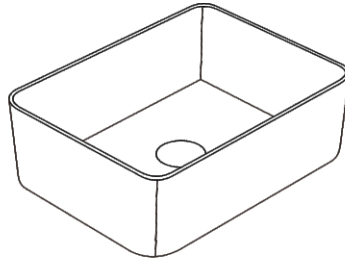
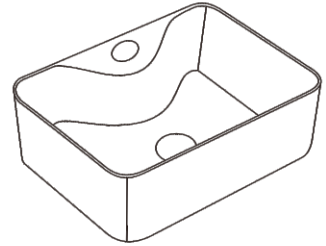


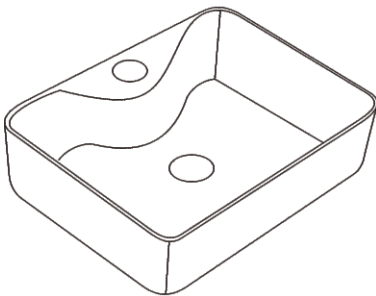
DJ-7050



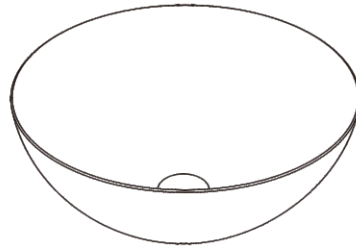
DJ-7050X



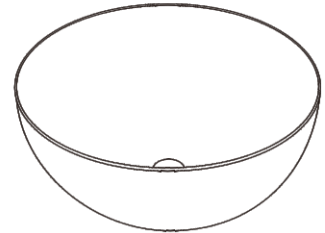
DJ-7291X



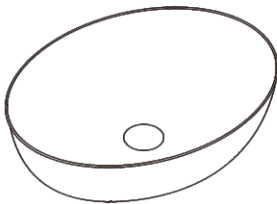
DJ-7291



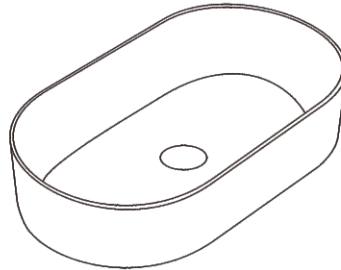
DJ-104



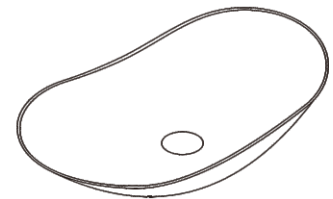
DJ-107



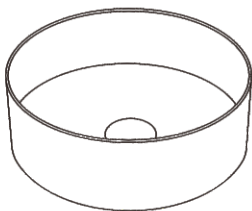
DJ-78166



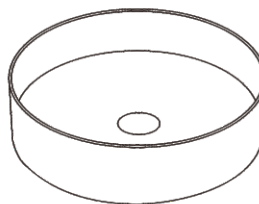
DJ-78330



DJ-7811A



DJ-110



DJ-110A

Vessel Bathroom Sink

INSTALLATION MANUAL

service@theyulika.com



Prior to Installation:

The sink is not equipped with a drain. If you want to purchase, you can search for the following models on the corresponding platform: DJ-T201A; DJ-T201MB; DJ-T201L

- Please observe and adhere to all building and plumbing codes.
- Due to manual measurements, there may be slight discrepancies in product dimensions, it is recommended to use the actual basin for cutting.
- Use 100% Silicone (non-water based) for all installations.
- Ensure there is adequate space behind the sink basin for proper placement of the faucet and backplate, allowing for full movement of both the faucet handle and spout.
- Ensure tight connection between the water pipes and the basin.
- Avoid placing the basin directly on the floor. After unpacking, place it on protective materials such as packaging.

Note:

Install and use before please to cautiously read this manual, Please the warning and regulation of obeying the product manual inside marking, please wear appropriate protective tools to avoid injury.

If you have any questions or concerns please contact us:
service@theyulika.com

INSTRUCTIONS

SUGGESTED TOOLS AND MATERIALS

*Sealant-We recommend the use of a stone, marble and granite silicone caulk or a general purpose silicone sealant.



Level



Thread Sealant



Drill



Pencil



Tape Measure



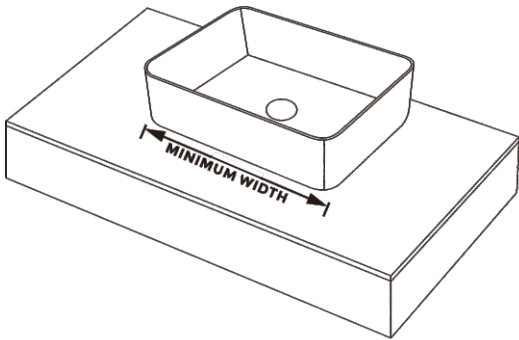
Safety Glasses

WARNING:

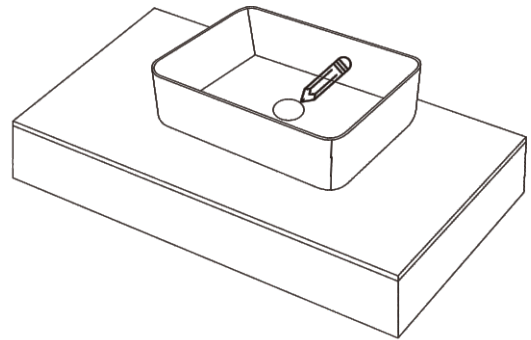
- Please read the following instruction carefully and use the product accordingly.
- Please wear appropriate protective gear to avoid injury.

INSTRUCTIONS

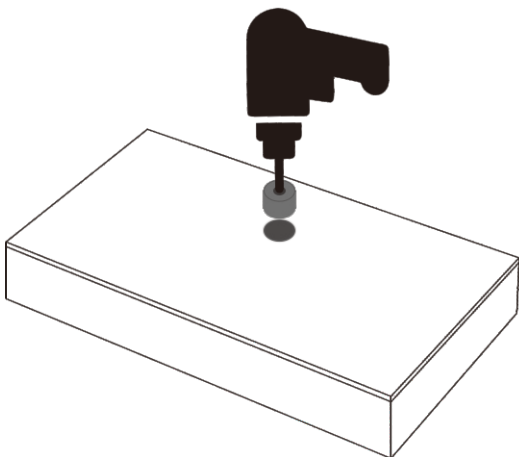
INSTALLATION STEPS



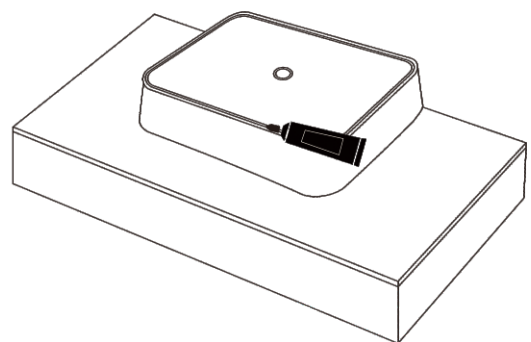
Step 1:
Measure the size of the countertop with a basin, ensuring it fits and determining the placement of the basin.



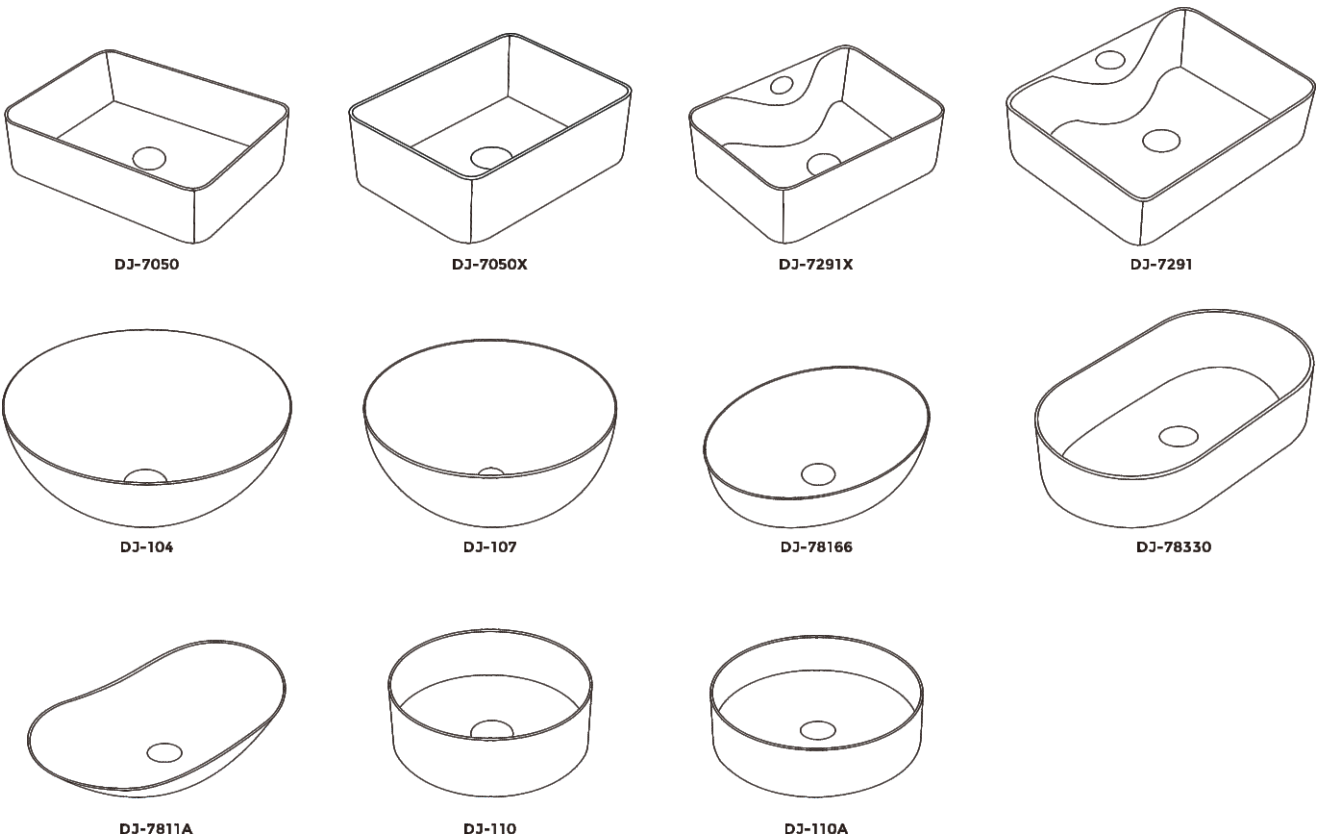
Step 2:
Draw the center of the circle with a pencil.



Step 3:
Cut out 2 and 3/4 inches in the specified positions. (Note that it is not cut according to the size of the center)



Step 4:
Apply silicone along the bottom edge for securing the basin.



BRAND STORY

YULIKA is committed to crafting high-quality, aesthetically pleasing products for our customers, with customer service as our mission. We consistently prioritize customer satisfaction, striving to create a brand that delights our customers. YULIKA guarantees free warranty services for customers within 30 Days. Under normal usage, if your product encounters defects in materials or workmanship, we will provide free replacement parts. Alternatively, under normal installation, usage, service, and maintenance, customers may opt to replace any product or part deemed defective. This provision is applicable only to the original purchaser; customers requiring warranty service must provide relevant proof of purchase for verification.