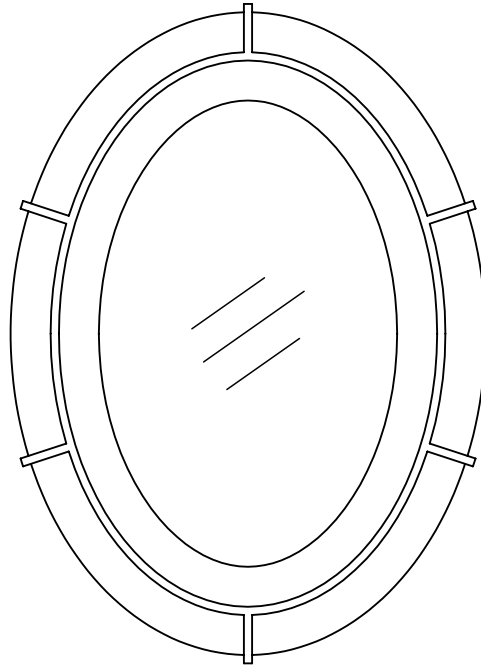


# MOE'S

Assembly Instructions

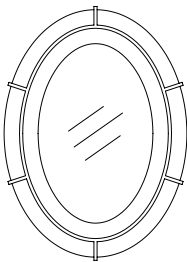
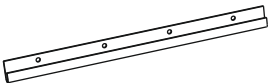
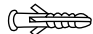



## ANTONI MIRROR BLACK SMALL

PZ-1015-02



Thank you for your purchase!

# Parts and Hardware

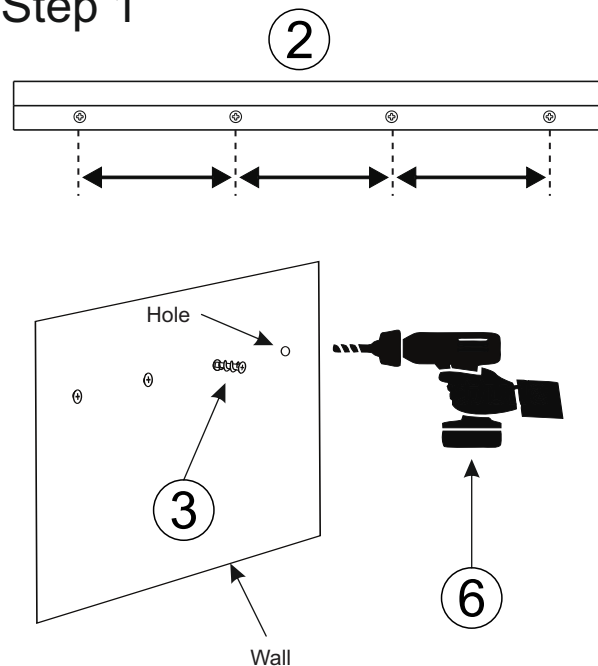
<p>1. IRON MIRROR FRAME x 1</p> 	<p>2. WALL MOUNT BRACKET x 1</p> 
<p>3. WALL ANCHOR x 4 L40 mm x Ø13 mm</p> 	<p>4. SCREW x 4 L38 mm x Ø7 mm</p> 
<p>5. SCREWDRIVER x 1 (NOT INCLUDED)</p> 	<p>6. POWER DRILL x 1 (NOT INCLUDED)</p> 

## Notes

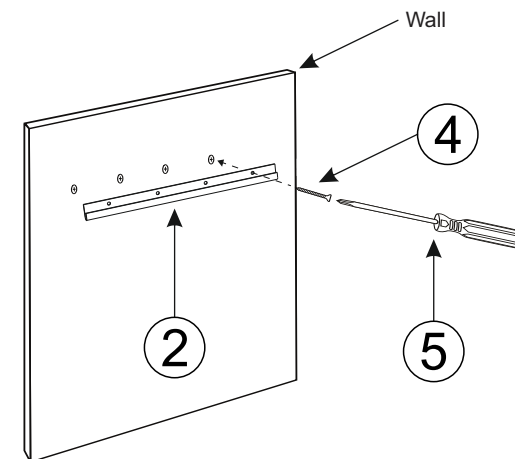
Thank you for purchasing this quality product!  
Be sure to check all packing material carefully for small part that may have come loose inside the carton during shipping.

**Caution:** The item is heavy, assembly should be performed by two people.

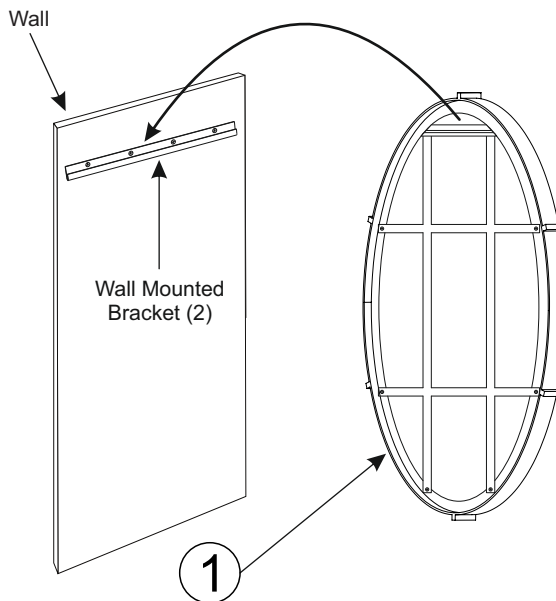
## Step 1



## Step 2



## Step 3



## Step 4

