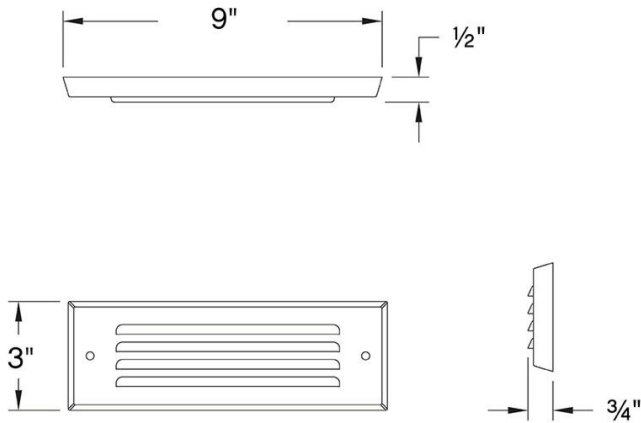


LOUVERED BRICK LIGHT

15765MZ

LED FLUSH STEP LIGHT 12V

Engineered with the durability to withstand the elements, Hinkley LED Flush Step Lighting features a sleek, low-profile design that seamlessly blends into outdoor structures. A solid brass, louvered face plate features a Matte Bronze or Satin Black finish that complements masonry or wood constructions. Integrated low-voltage LEDs behind an etched glass lens cast bright yet comfortable light, adding safety to steps and atmosphere to exterior spaces. Named after the ruggedly beautiful island off the coast of British Columbia, our Hardy Island Collection is impeccably constructed with solid cast brass to defy the harshest environments.



DETAILS	
FINISH:	Matte Bronze
MATERIAL:	Brass
GLASS:	Etched Lens
DIMMABLE:	YES - WITH MLV ON TRANSFORMER PRIMARY

DIMENSIONS	
WIDTH:	9"
HEIGHT:	3"
WEIGHT:	2.1lb

LIGHT SOURCE	
LIGHT SOURCE:	Integrated LED
LED NAME:	LV10W
WATTAGE:	10.30w LED *Included
VOLTAGE:	12v
VOLT AMPS:	11.8
LUMENS:	44
CRI:	80
INCANDESCENT EQUIVALENCY:	1 x 20w
DIMMABLE:	YES - WITH MLV ON TRANSFORMER PRIMARY
TRANSFORMER REQUIRED:	Yes

MOUNTING	
LEAD WIRE:	1 X 300"

SHIPPING	
CARTON LENGTH:	9.8
CARTON WIDTH:	2
CARTON HEIGHT:	3.3
CARTON WEIGHT:	1.5



PRODUCT DETAILS:

- Suitable for use in wet (outdoor direct rain) locations as defined by NEC and CEC. Meets United States UL Underwriters Laboratories & CSA Canadian Standards Association Product Safety Standards
- A wiring kit is supplied
- ADA compliant
- For more information on how to control your landscape lighting via the Hinkley Home Automation App, [click here](#).
- Rated for both indoor and outdoor use
- LED integrated components carry a 10-year limited warranty

HINKLEY

HINKLEY
33000 Pin Oak Parkway
Avon Lake, OH 44012

PHONE: (440) 653-5500
Toll Free: 1 (800) 446-5539

hinkley.com