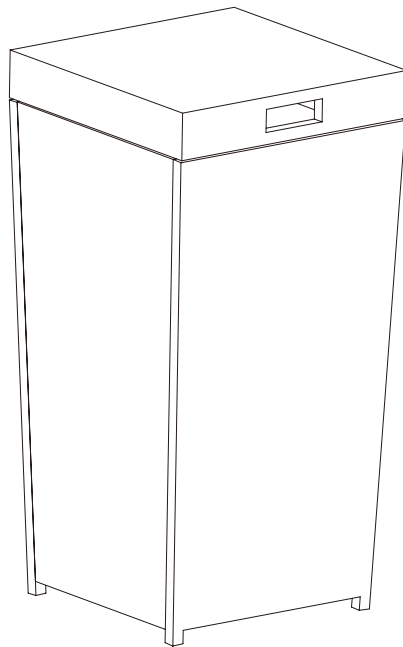
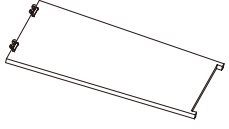
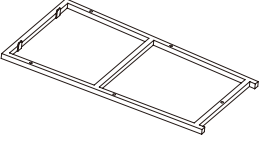
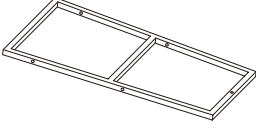
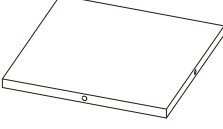
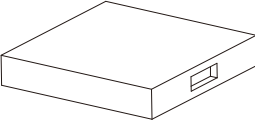
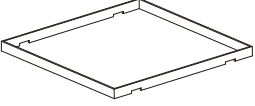


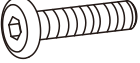
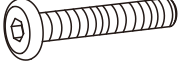



Outdoor Wicker Trash Can



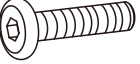
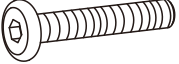


PART LIST

				
<p>Back Panel 1 PC</p>	<p>Front Panel 1 PC</p>	<p>Side Panel 2 PCS</p>	<p>Bottom Panel 1 PC</p>	<p>Top Panel 1 PC</p>
<p>F</p>  <p>NOTE: We recommend using a 13-16 gallon bag with a thickness of .90 to 1.2 mil for standard refuse (thicker bags may be required for more durable refuse such as yard waste). Using a bag that is too large or overloading the trash can may result in difficulties removing the bag.</p>				
<p>Garbage Bag Holder 1 PC</p>				

HARDWARE LIST

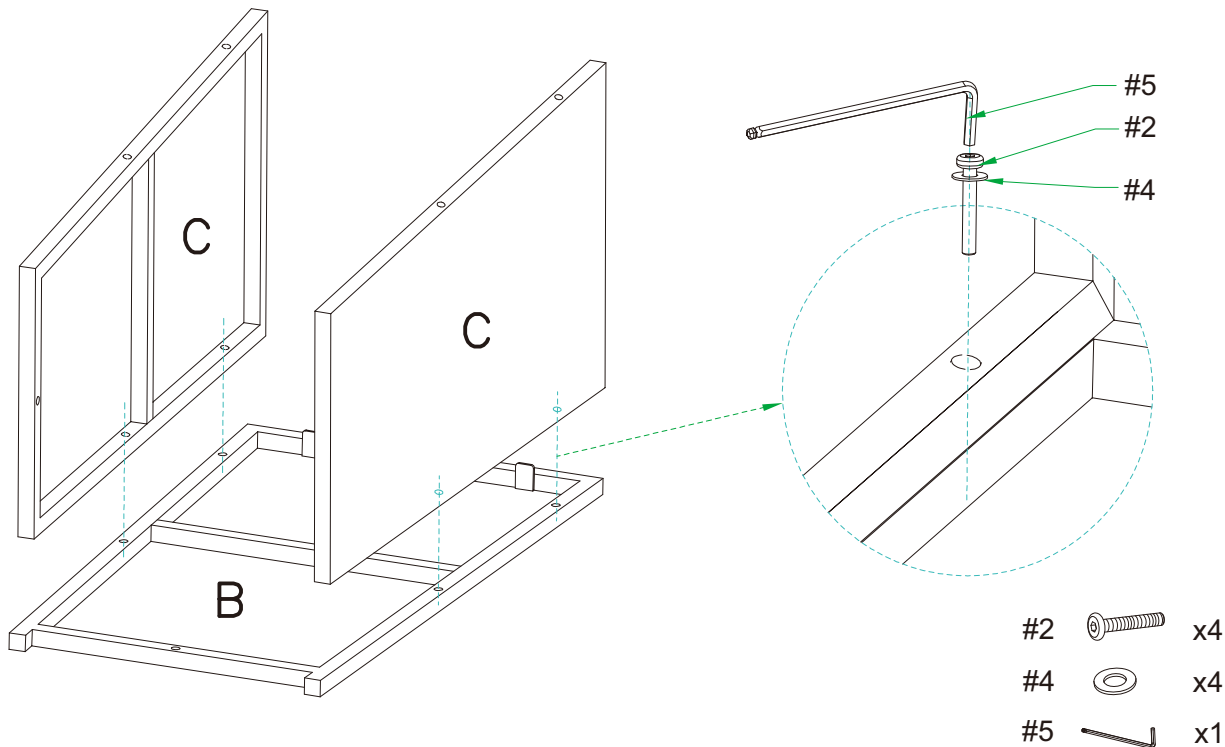
<p>#1</p>  <p>M6*10mm</p>	<p>#2</p>  <p>M6*40mm</p>	<p>#3</p>  <p>M6*40mm</p>	<p>#4</p>  <p>M6mm</p>	<p>#5</p>  <p>M6mm</p>
<p>Short Bolt 2 PCS</p>	<p>Long Bolt 12 PCS</p>	<p>Inner Thread Bolt 2 PCS</p>	<p>Washer 12 PCS</p>	<p>Allen Key 2 PCS</p>

EXTRA HARDWARE LIST

<p>#1</p>  <p>M6*10mm</p>	<p>#2</p>  <p>M6*40mm</p>	<p>#3</p>  <p>M6*40mm</p>	<p>#4</p>  <p>M6mm</p>
<p>Short Bolt 1 PC</p>	<p>Long Bolt 1 PC</p>	<p>Inner Thread Bolt 1 PC</p>	<p>Washer 1 PC</p>

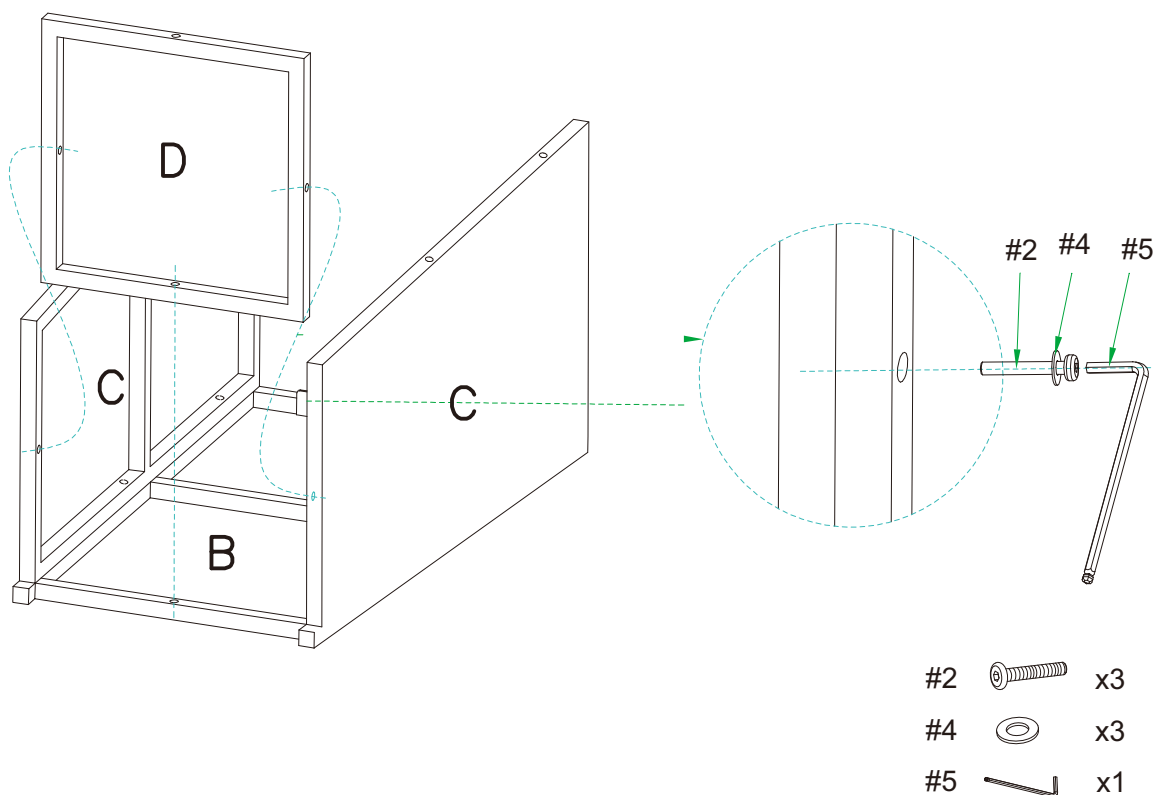
Step 1. Lay front panel (part B) down on a soft flat surface, such as carpet as shown below. Attach side panels (part C) to front panel (part B) using long bolts (part #2), washers (part #4) and allen key (part #5).

NOTE: Please do not fully tighten bolts until unit is fully assembled.



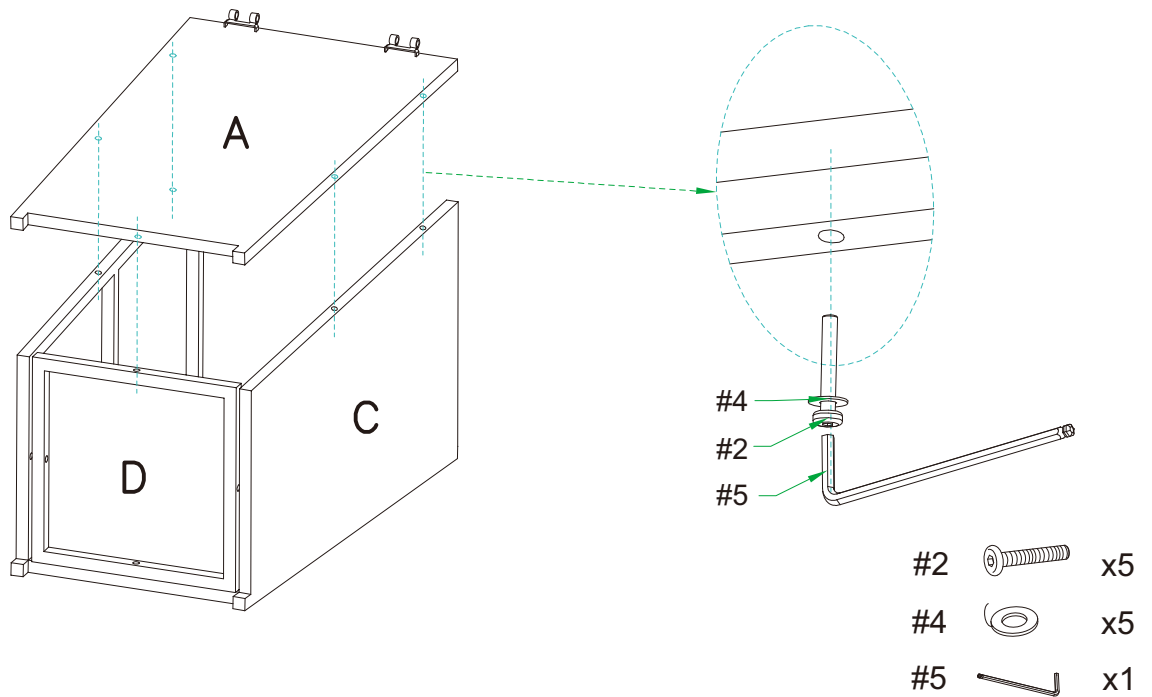
Step 2. Attach bottom panel (part D) to side panels (part C) and front panel (part B) using long bolts (part #2), washers (part #4) and allen key (part #5).

NOTE: Please do not fully tighten bolts until unit is fully assembled.



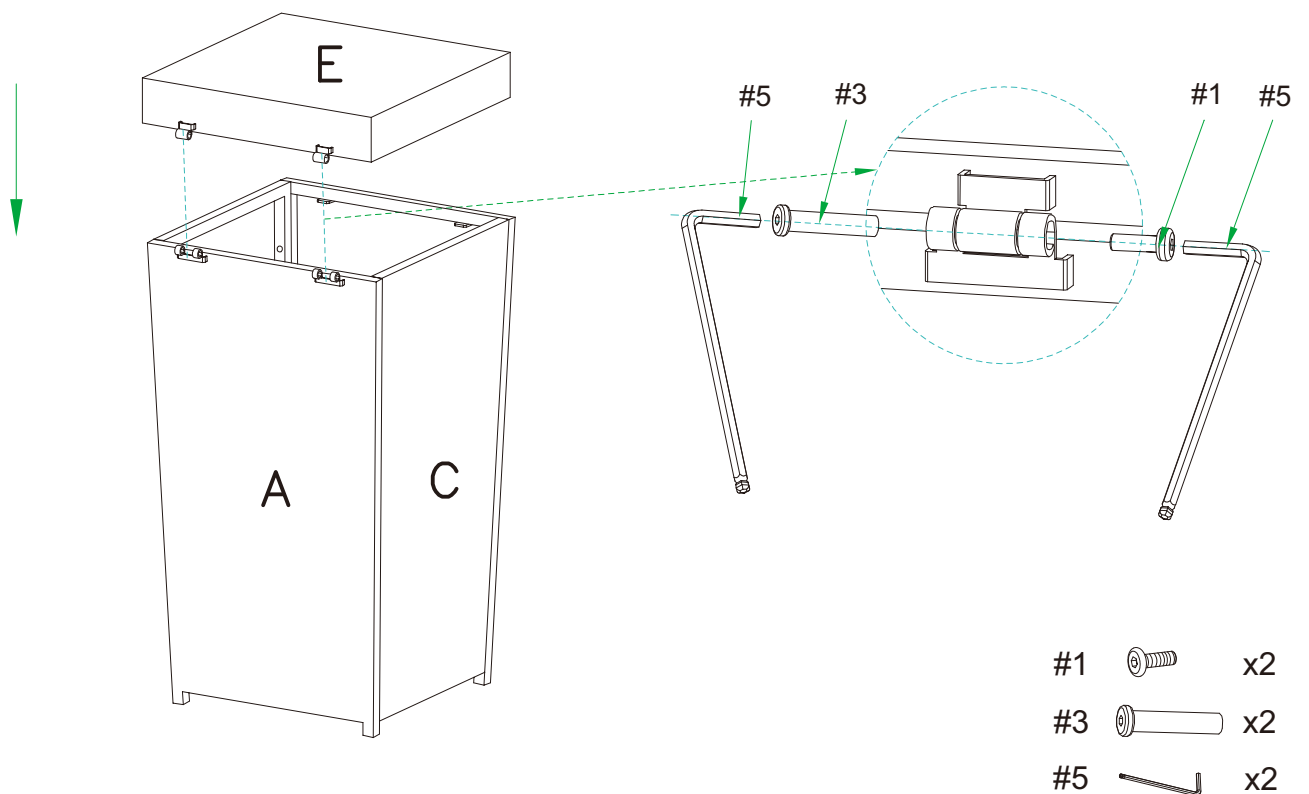
Step 3. Attach back panel (part A) to side panels (part C) and bottom panel (D) using long bolts (part #2), washers (part #4) and allen key (part #5).

NOTE: Please do not fully tighten bolts until unit is fully assembled.



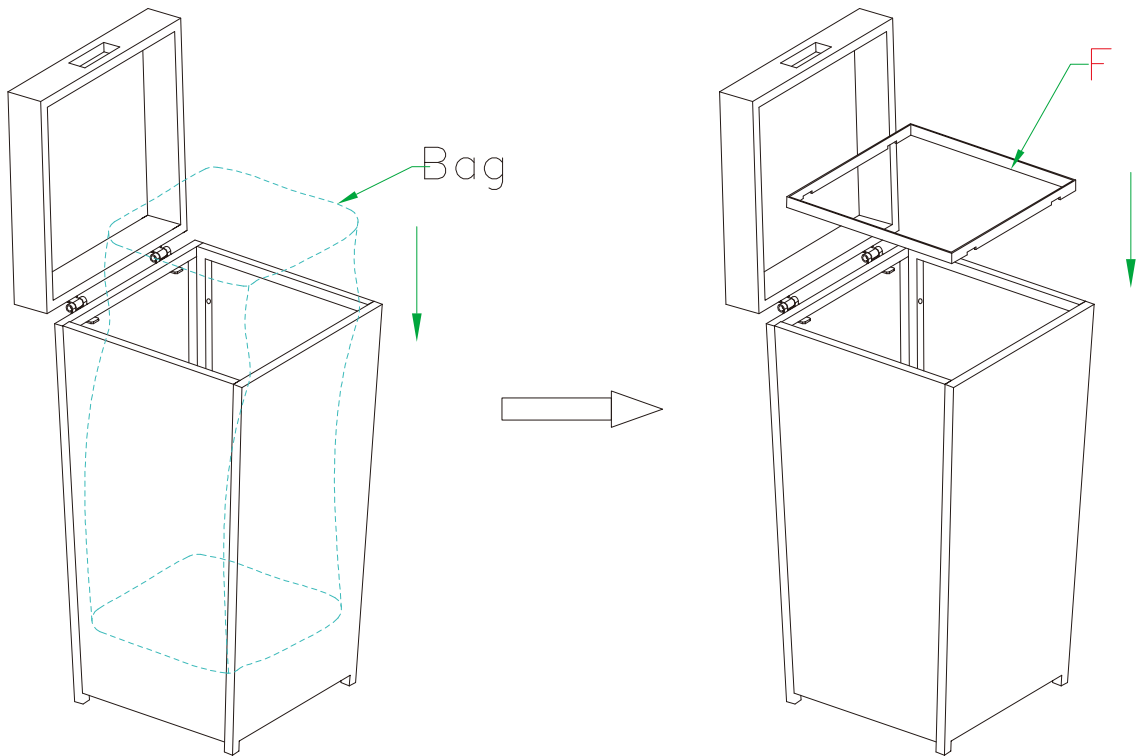
Step 4. Carefully turn trash can upright. Attach top panel (part E) to back panel (part A) using inner thread bolts (part #3), short bolts (part #1) and both allen keys (part #5) as shown.

NOTE: Please fully tighten all bolts at this time.



Step 5. Place garbage bag (not provided) inside the trash can as shown, and secure in place with garbage bag holder (part F).

NOTE: Please see page 2 for info on garbage bag size.



Step 6. Top panel (part E) can be opened and closed.

