



## VINGLI UTILITY SINK

ASSEMBLY INSTRUCTION



Thank you for purchasing from VINGLI!  
Please contact us via email if parts are missing or damaged, we will  
gladly ship your replacement parts free of charge

### **⚠ IMPORTANT**

THIS INSTRUCTION BOOKLET CONTAINS IMPORTANT SAFETY INFORMATION.  
PLEASE READ AND KEEP FOR FUTURE REFERENCE.

# CONTENT

1. Return & Warranty .....	1
2. Specification .....	2
3. Identify Parts .....	3
4. Assembly Steps .....	4
5. WARM TIPS & FAQs .....	11

# RETURN & WARRANTY

## Thank you for choosing our product!

We would like to take this opportunity to thank you for choosing VINGLI.

We hope that you are completely satisfied with your purchase, and enjoy it for years to come.

**Your satisfaction is our highest pursuit.**

## Return policy

VINGLI believes you will absolutely love your utility sink, but if for some reason you want to return the product, please contact us directly before you decide to return your product to the retailer. Our Customer Service organization can answer most concerns and can assist you with any questions you may have about your new product.

The item must be returned in good condition, in original box, with all original proof of purchase, parts and accessories, within the time frame specified by the retailer it was purchased from.

## Warranty

VINGLI warrants this product to be free from defects in material and workmanship agrees to remedy any such defect. This warranty covers one year from the date of original purchase. This is solely limited to be repair or replacement of defective parts and no assembly labor is included.

This warranty does not apply to any product which has been improperly assembled, subjected to misuse or abuse or which has been altered or repaired in any way.

Components repaired or replaced warranted through the remainder of the original warranty period only. The defective components will be repaired or replaced without charge, subject to the terms and conditions described above.

For help with assembly, identifying parts, product information or to order parts, please contact us freely.

# SPECIFICATION

## Applicable Model



### OVERALL SIZE:

19.7"W x 18.9"D x 33.5"H  
50cm x 48cm x 85cm

### FEATURES:

Hot & Cold Faucet  
Push-down Drain  
Adjustable Levelers

### ITEM WEIGHT:

17.6LBS / 8KG



Estimated Time for Assembly

**30 mins**

## Caution:

1. This product is designed for home use and not intended for commercial use.
2. This product contains small components. Please ensure that they are kept away from small children.
3. Be careful when using power tools to assemble your furniture. Power tools may strip or damage the parts.

# IDENTIFY PARTS

1



Soap Sink x1

2



Iron Leg x4

3



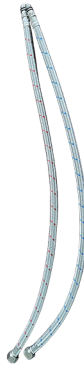
Push-Down Drain x1

4



Faucet x1

5



Hot & Cold Hose x1

6



L-shaped Leveling Pad x4

7



L-shaped Hex Wrench x1

8



M6 Screw x12

9



Spring Washer x12

10



Flat Washer x12

11



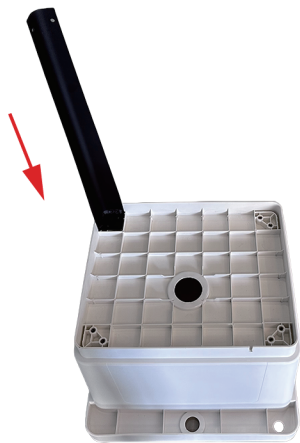
M6 Nut x4

# ASSEMBLY STEPS

## STEP 1

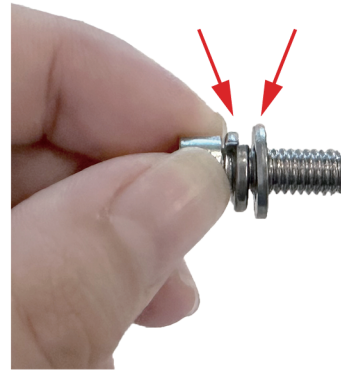
Place the soap sink upside down and then insert the iron legs into the grooves on the bottom of the soap sink.

The sequence for M6 screw assembly is as follows: first the spring washer, and then the flat washer.



Spring Washer

Flat Washer



## STEP 2

Align the screws with the holes, and then use a L-shaped hex wrench to secure and tighten them.

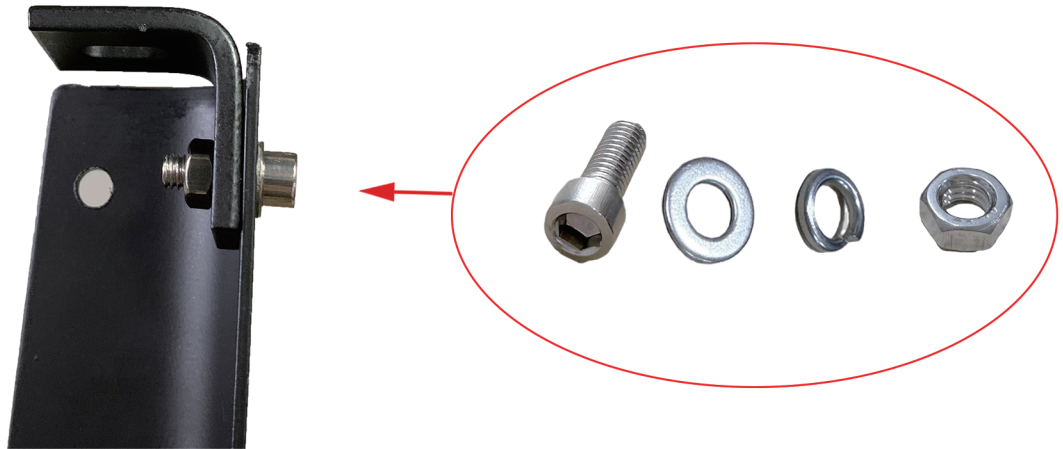
Turn the inverted sink upright, with the main opening facing upwards.



# ASSEMBLY STEPS

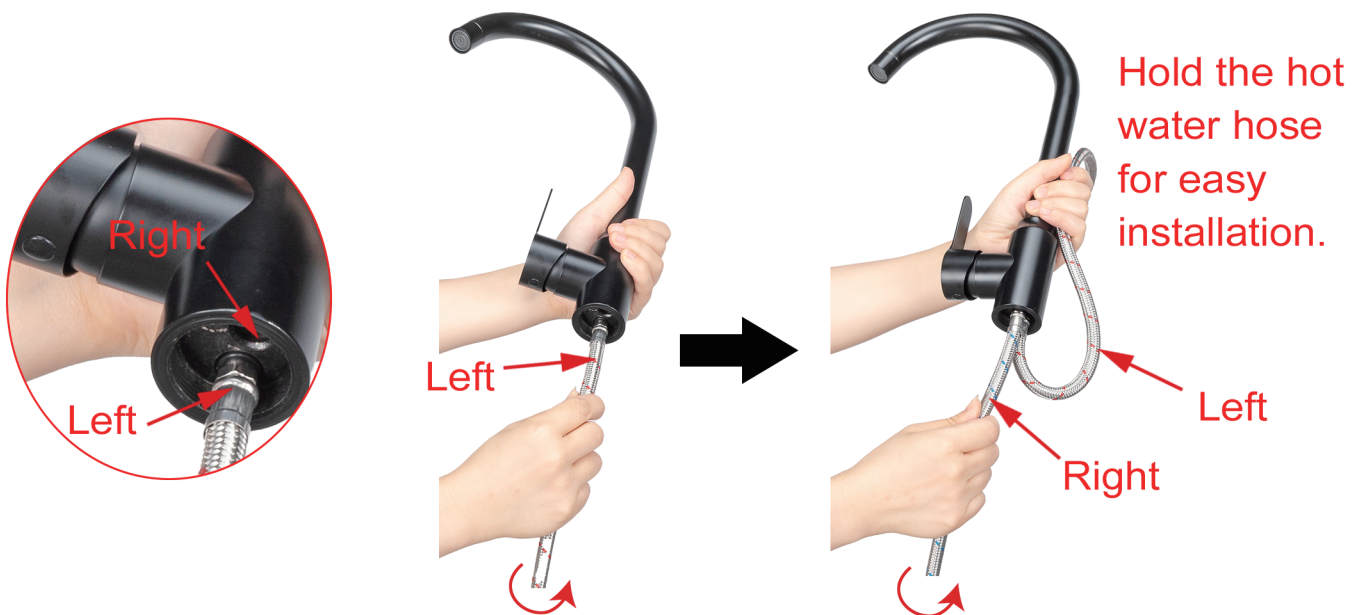
## STEP 3

Attach the L-shaped leveling pad if needed



## STEP 4

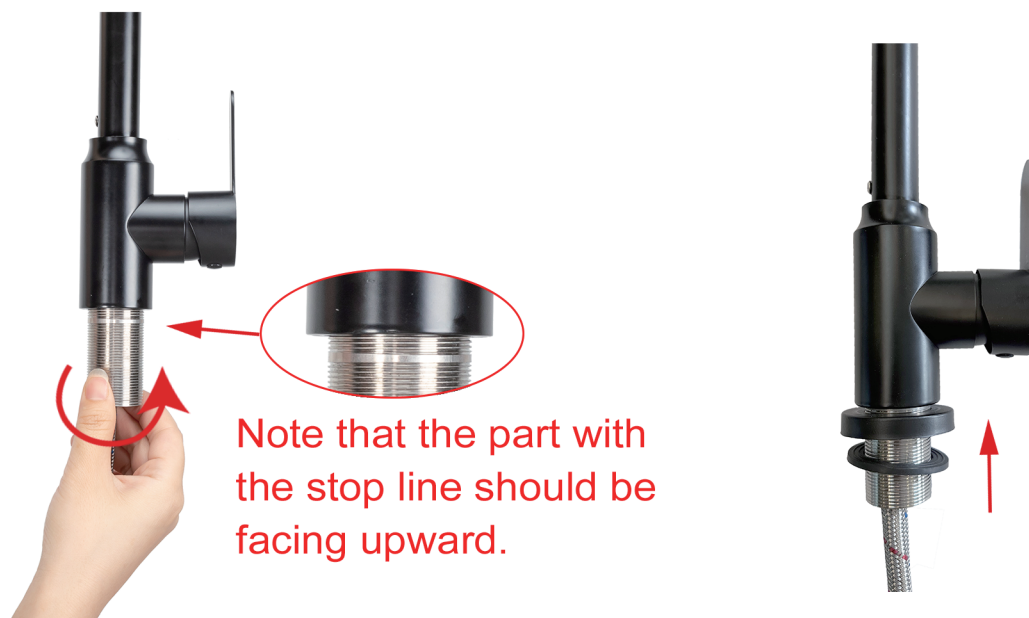
Screw the hot water hose (red) into the hole on the left side of the faucet  
Screw the cold water hose (blue) into the hole on the right side of the faucet



# ASSEMBLY STEPS

## STEP 5

Thread the metal base through the hot and cold water hoses and screw it onto the bottom of the faucet.



## STEP 6

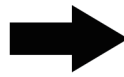
Assemble the rest parts accordingly.



# ASSEMBLY STEPS

## STEP 7

Disassemble the Push-down Drain assembly, place the small components into the drain assembly.



## STEP 8

Hold the base firmly and tighten it with a 15mm wrench (the wrench shown is not included in the kit).  
Install the strainer.



# ASSEMBLY STEPS

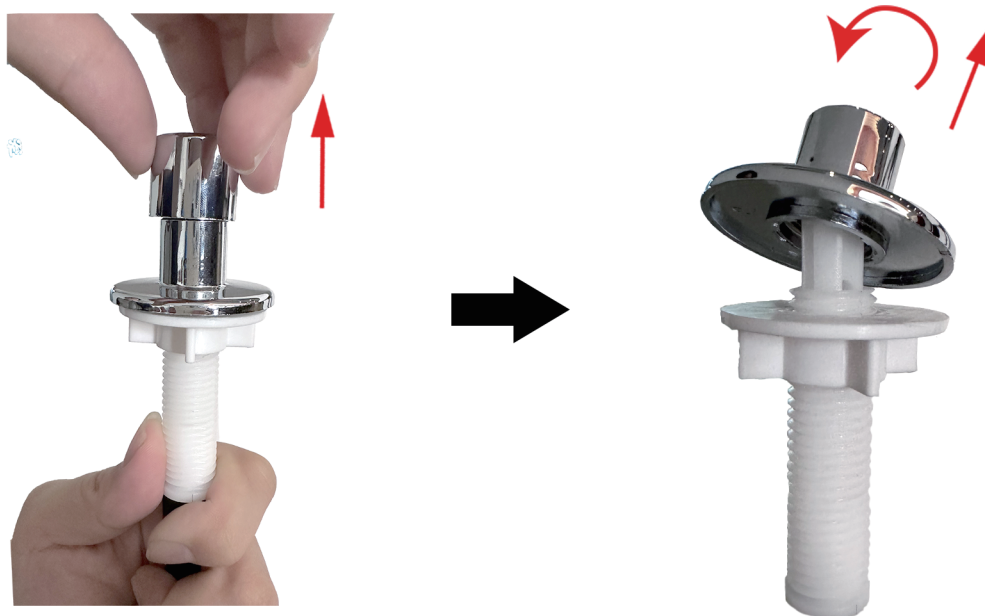
## STEP 9

Insert the push-down drain assembly's line into the groove on the side bottom of the soap sink.



## STEP 10

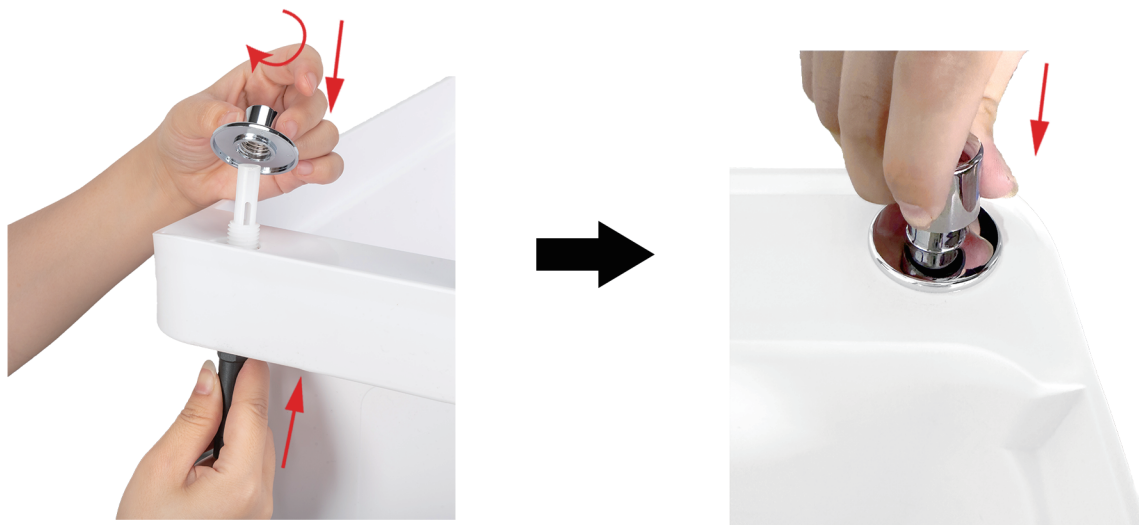
First, remove the button.  
Then unscrew the switch base.



# ASSEMBLY STEPS

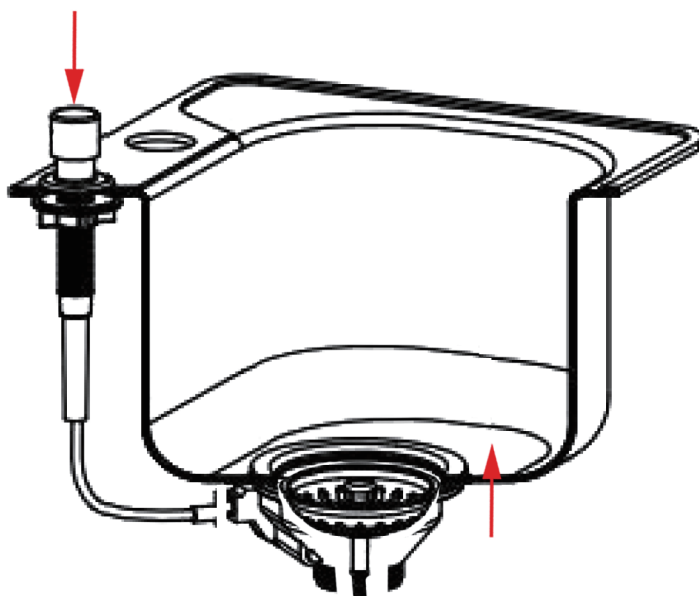
## STEP 11

Secure the switch onto the soap sink.  
Reattach the button onto the switch base.



## STEP 12

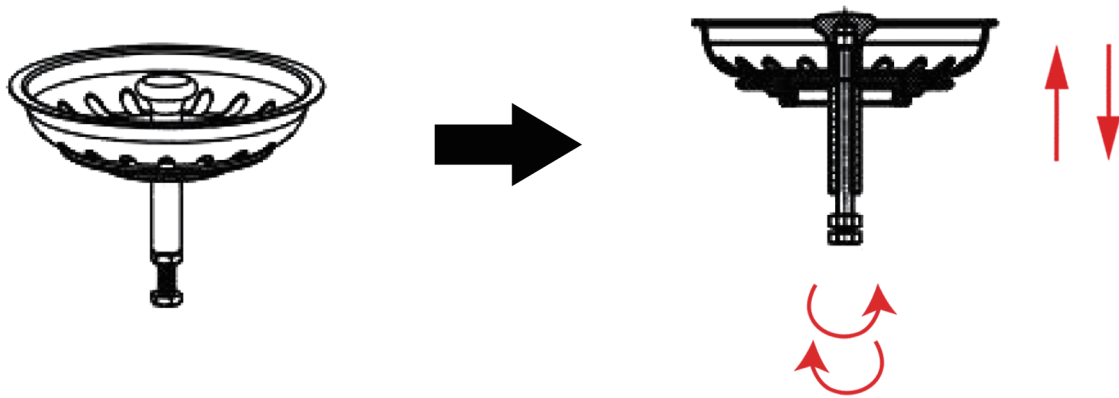
Test the push-down drain assembly by pressing the button, ensuring that the pressing action is smooth and that the strainer can move up and down smoothly.



# ASSEMBLY STEPS

## STEP 13

Adjustment of the strainer (seal). By changing the height to ensure the sealing of the soap sink.



# WARM TIPS

1. Avoid contact with strong acids, alkalis, or other chemical substances, except for regular cleaning agents.
2. Please refrain from striking the product to prevent damage.
3. Regularly remove and clean the sink's drain strainer to ensure proper drainage performance.

## FAQs

### 1. What should I do when I received a defected item?

Please do not repack immediately. Please feel free to contact VINGLI customer service via the link where you purchased with your order ID, pictures of the defective areas to us. We are eager to help you to make it right

---

### 2. Why is my utility sink wobble?

We recommend that you use it against a wall to increase the stability of this utility sink

---

### 3. Can I leave out the L-shaped Leveling Pad if I don't need them?

Yes, it's up to you.