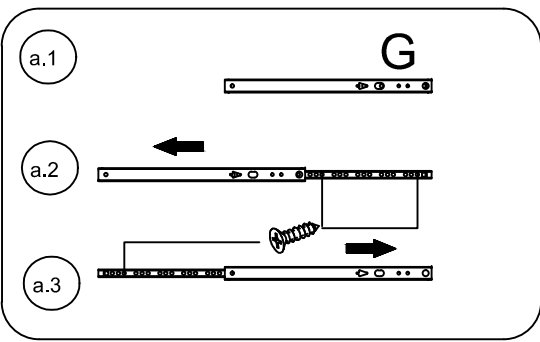
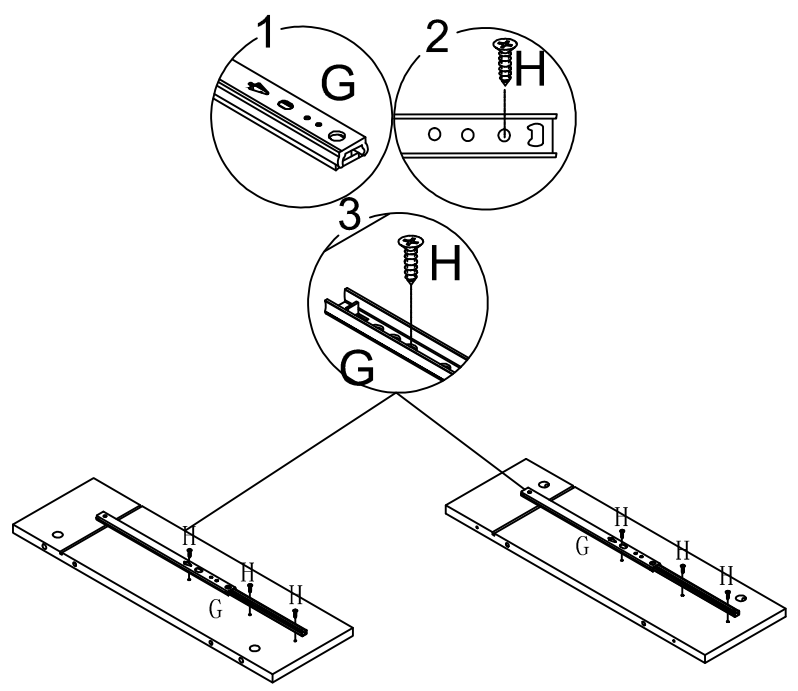


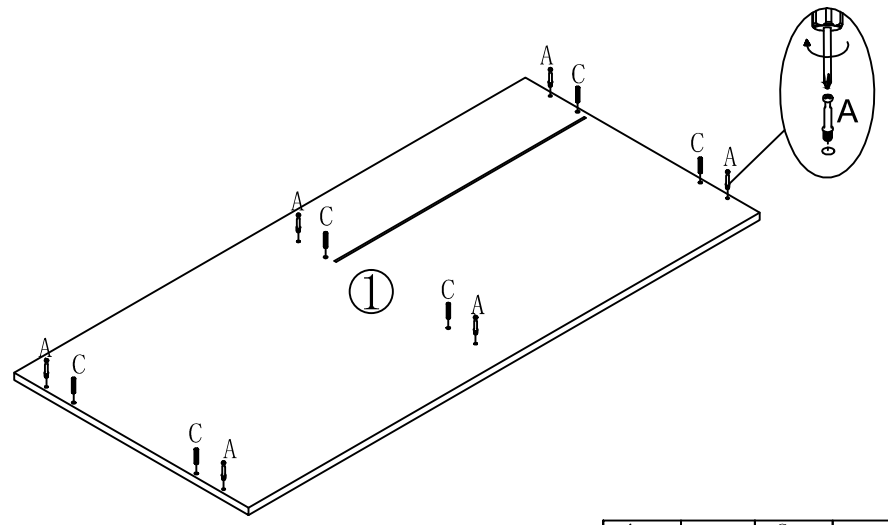


1



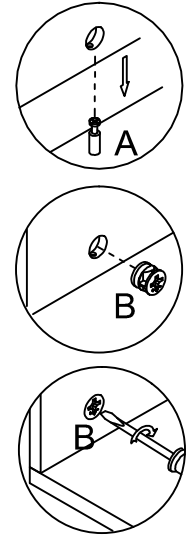
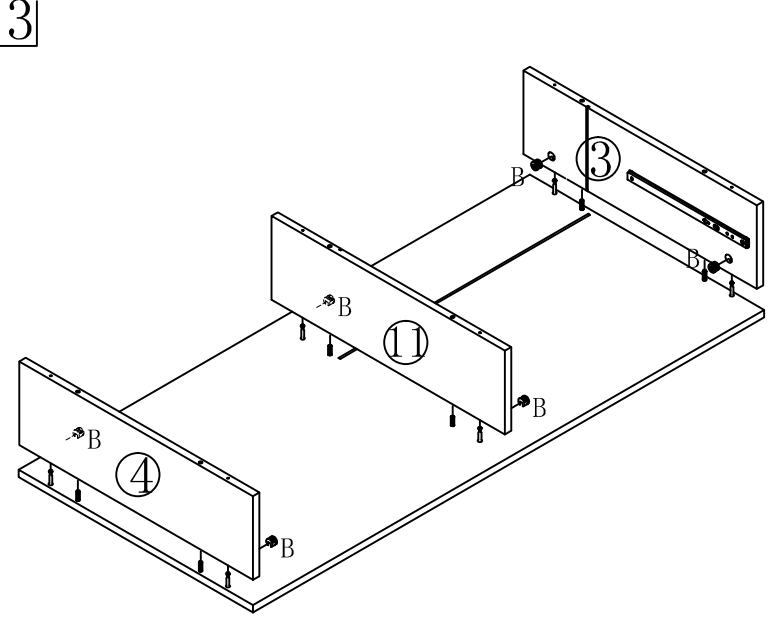
G	×2	H	×6
		φ3*14mm	

2



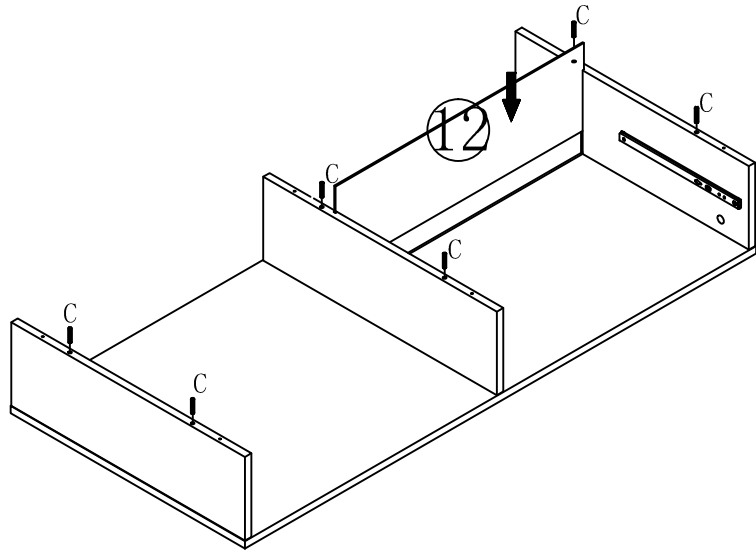
A	×6	C	×6
M6*35mm		φ6*30mm	


3



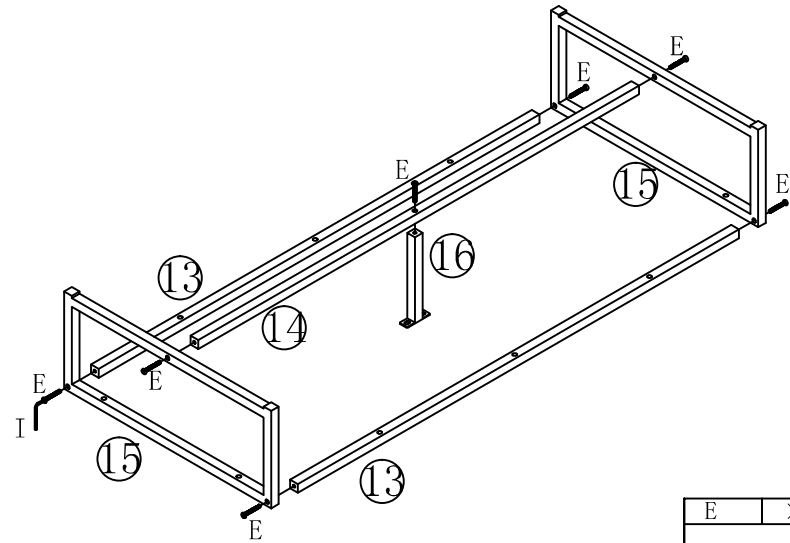
B	×6
φ15*10mm	



4



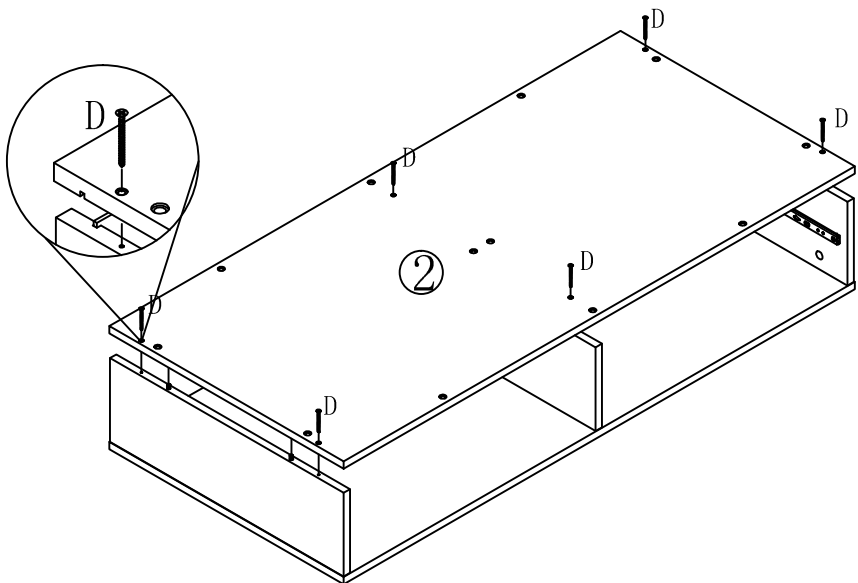
C	×6
	
Φ6*30mm	

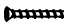
6



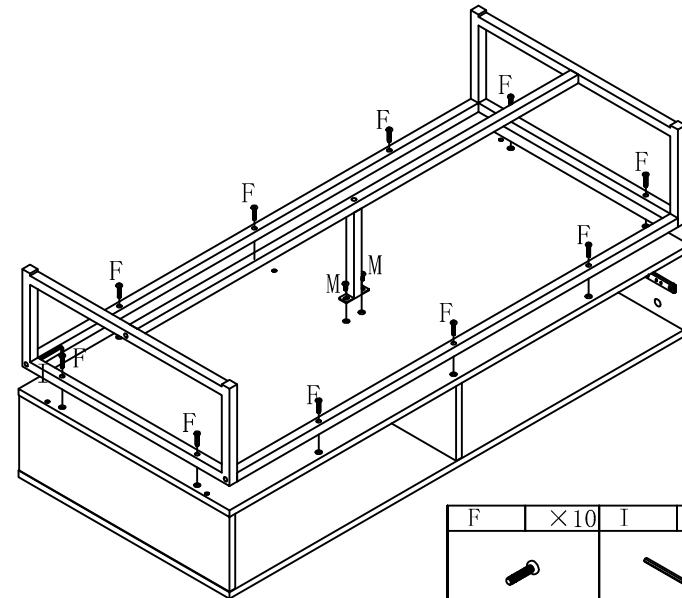
E	×7	I	×1
			
M6*40mm			




5



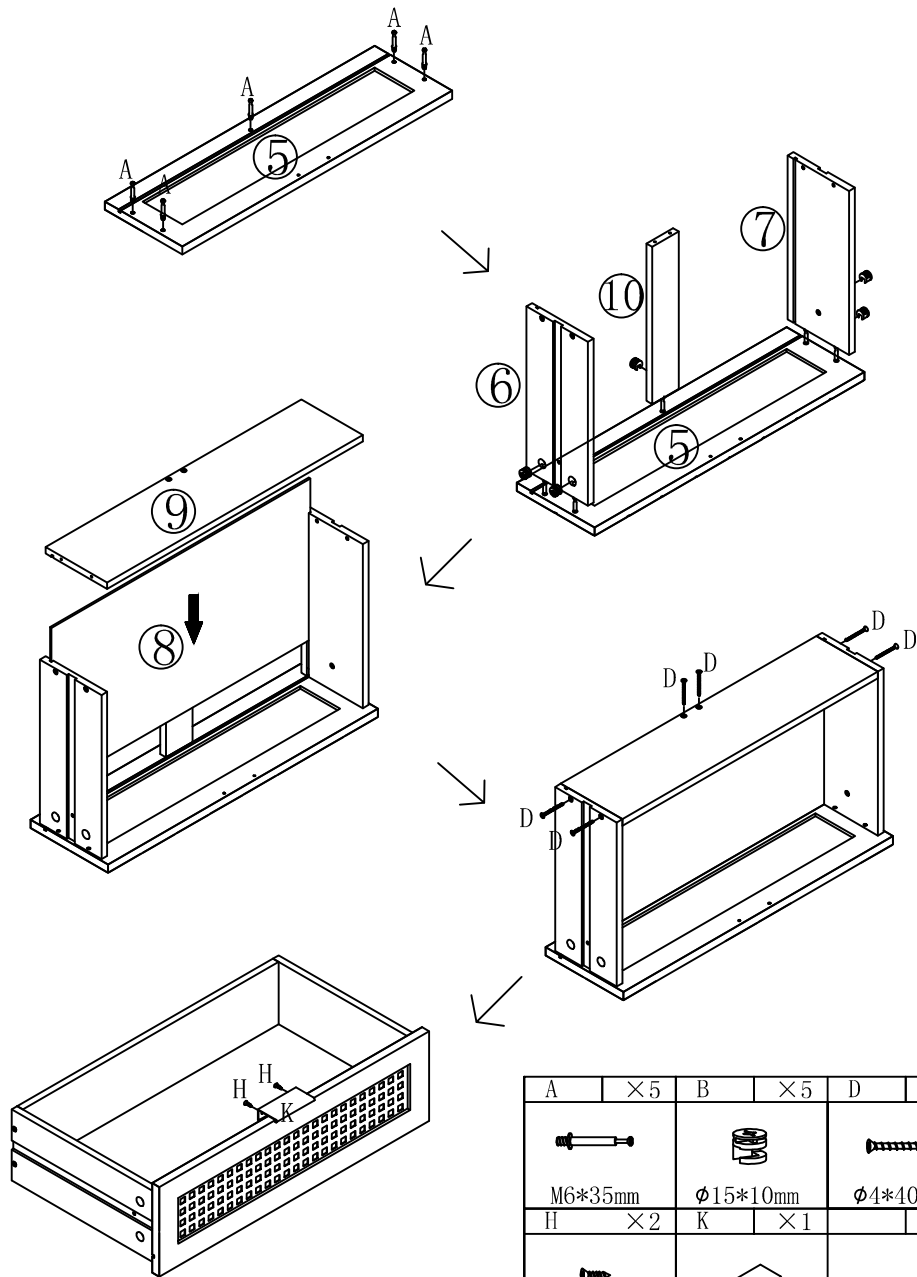
D	×4
	
Φ4*40mm	

7



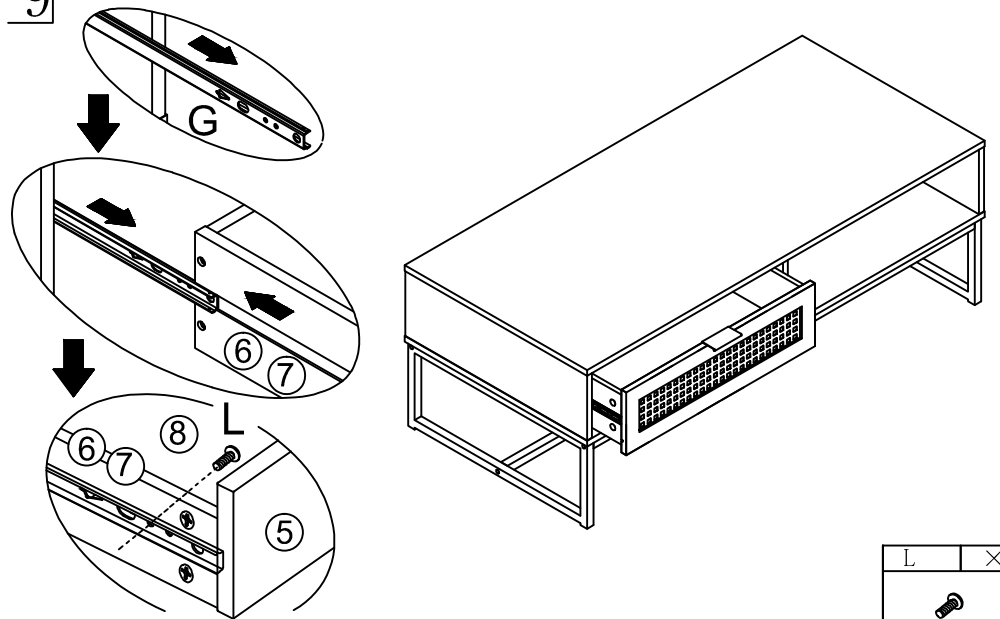
F	×10	I	×1	M	×2
					
M6*30mm				M6*12mm	

8



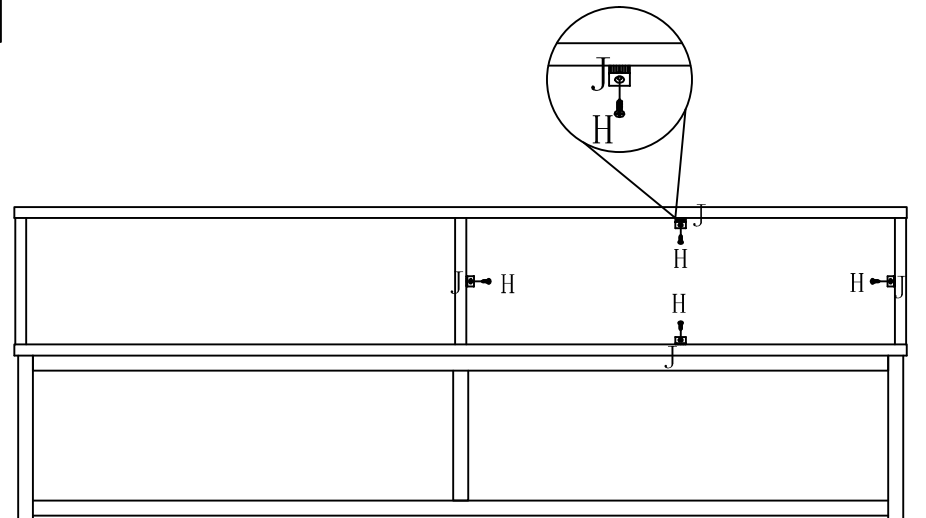
A	×5	B	×5	D	×6
M6*35mm		φ15*10mm		φ4*40mm	
H	×2	K	×1		
φ3*14mm					

9



L	×2
M4*10mm	

10



H	×4	J	×4
φ3*14mm			