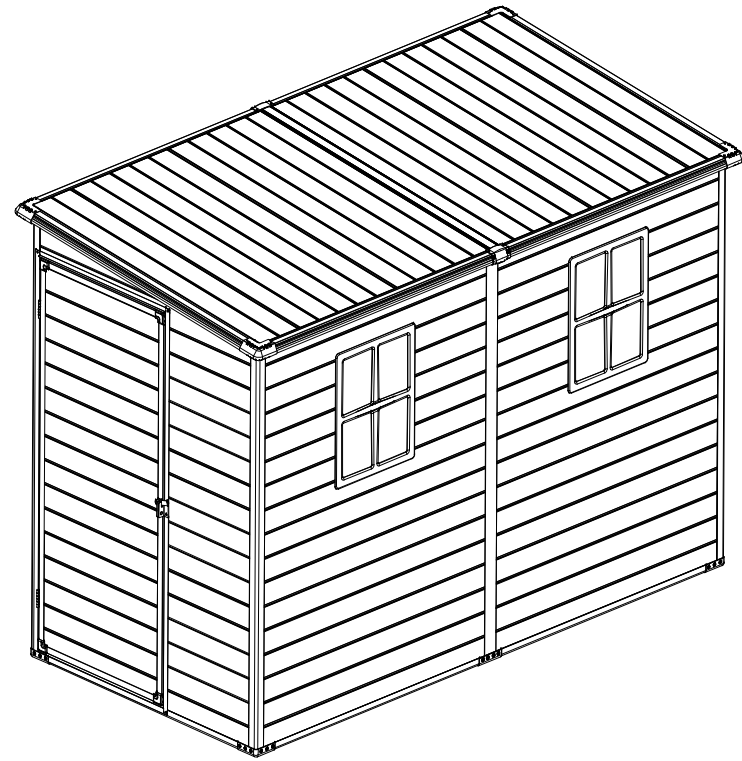


## Resin Garden Shed

OWNER'S MANUAL  
Instructions for Assembly



---

# SLD-P84-V4

Requires three people and take 3-4 hours for installation.  
Quick & Easy assembly. Ridge Reinforced Walls.  
Available in Various Sizes.

# BEFORE YOU START

---

## Owner's Manual

Prior to installation, it is important that you contact your local government authority to determine if building approval is required. Study and understand this owner's manual. Important information and helpful tips will make your construction easier and more enjoyable.

## Assembly instructions

Instructions are supplied in this manual and contain all appropriate information for your building model. Review all instructions before you begin. During assembly, follow the step sequence carefully for correct results. Please be aware: this unit takes 3 people about 3 - 4 hours to complete.

## Parts

Check to be sure that you have all the necessary parts for the building.

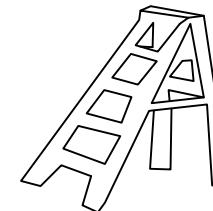
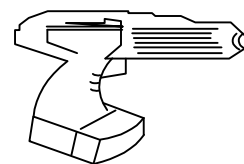
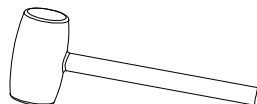
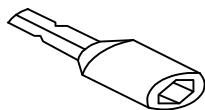
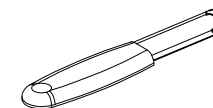
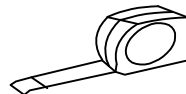
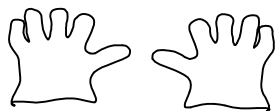
Separate contents of the carton by the part number while reviewing parts list.

Familiarize yourself with the hardware and fasteners for easier use during construction. These are packaged within the carton. Note that extra fasteners have been supplied for your convenience.

---

# TOOLS MAY REQUIRED

---

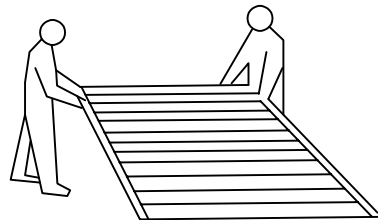


Use heavy duty gloves when handling steel sheets and flashing

---

# PLAN AHEAD

---



## Watch the weather:

Please be sure the day you select for installation is dry and calm.

**DO NOT** attempt to assemble your shed in windy weather because of risk of damage to panels, or personal injury. Be careful of wet or muddy ground.

## Teamwork:

Whenever possible, two or more people should work together to assemble the building. One person can position parts or panels

# PLAN AHEAD

---

## Site Selection

Avoid overhanging trees as much as possible as leaves will make regular cleaning necessary and broken branches are a potential hazard.

Small trees, bushes or fences nearby can be helpful, acting as a wind break.

If a concrete pad is made, it is important that this slopes towards the edges to prevent water ingress.

Time must be allowed for any concrete or cement to dry before building the shed on top.

## Site Preparation

The site must be prepared so that the base of the shed is level all round and checking with a spirit level is required.

The base can be constructed by treated timber or concrete, in order to stop the moisture getting into the shed. The shed is not designed to be built onto lawn directly. Also the ground will get muddy during rainy days.

Bases can also be constructed from bricks, blocks, or mounted on a concrete pad.

The bricks or blocks should be cemented onto firm and level concrete footings and the shed frame drilled and screwed to the base.

---

## IMPORTANT NOTES:

---

Find someone to help you: it is much easier with someone to hold parts, pass tools etc. Also some steps require two people to lift structures together. This is not very heavy work so would suit most able-bodied people.







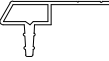



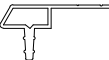
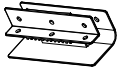



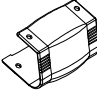

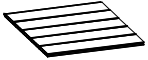
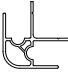
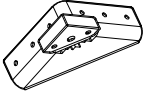


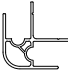
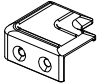


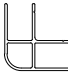
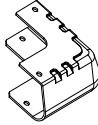


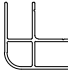
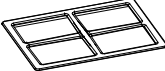
Allow plenty of time: rushing often causes errors and the re-doing of incorrect assemblies. If you have never built a shed before, it can take most of a day to carefully complete the construction.

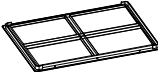
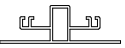

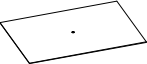
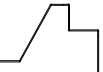

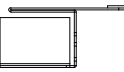
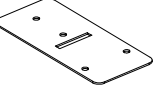
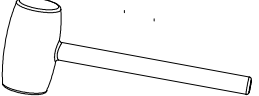

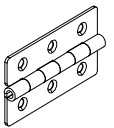
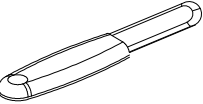
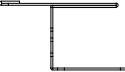
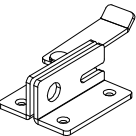
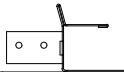
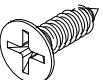

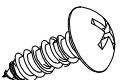

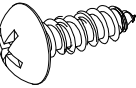
Have the right tools to hand.

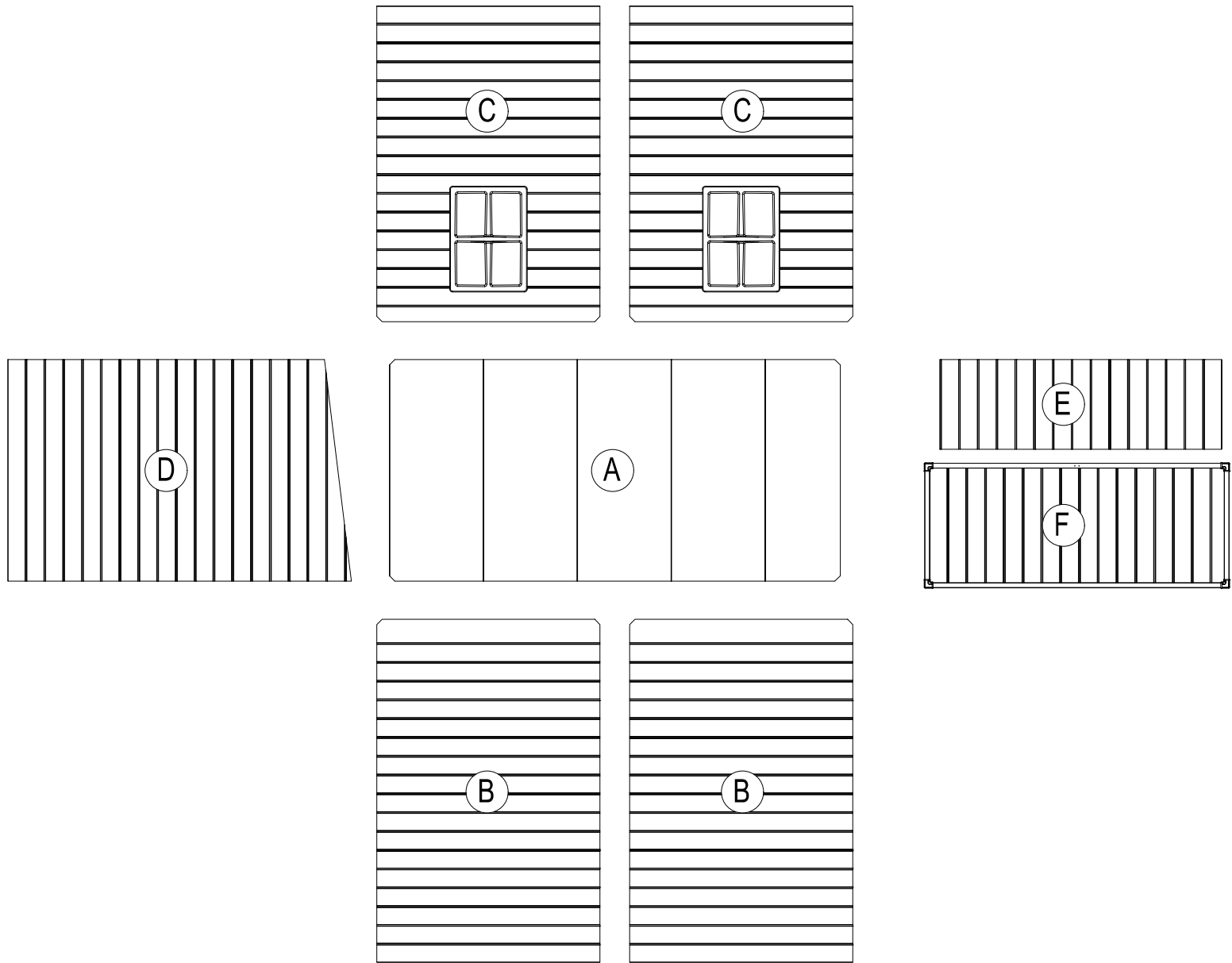
Safety clothing as recommended in the 'Tools' section.

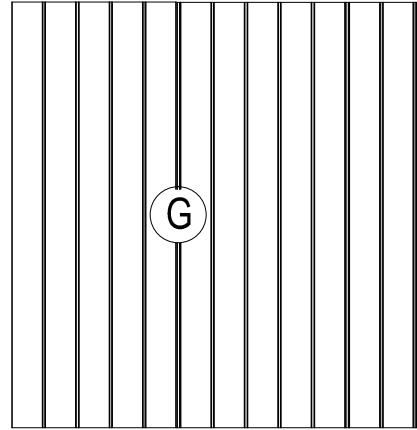
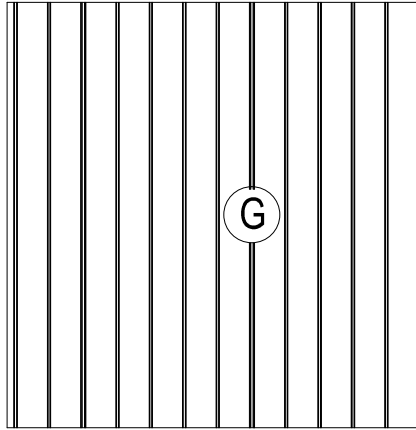
Ideally lay out the parts and check that all are present before commencing construction. Lay on cloths or plastic sheets if there is any risk of scratching the parts.

Tighten all nuts carefully, being sure not to miss any. Check the frame is square and using a spirit level to check that it is upright.

P84-C01 	x 1	P84-C08 	x 3	P84-C16 	x 2	P84-C23 	x 1
P84-C02 	x 6	P84-C09 	x 8	P84-C15-1 	x 4	P84-C24 	x 1
P84-C03 	x 1	P84-C10 	x 2	P84-C16-1 	x 2	A64-C30 	x 2
F35-C03 	x 1	P84-C11 	x 2	P84-C17 	x 1	A64-C31 	x 2
F35-C04 	x 3	P84-C12 	x 4	P84-C19 	x 4	F35-C27 	x 4
P84-V4-C01 	x 4	P84-C13 	x 2	P84-C20 	x 2	F35-C29 	x 4
P84-V4-C02 	x 2	P84-C14 	x 1	P84-C21 	x 2	F35-C30 	x 4
P84-C07 	x 1	P84-C15 	x 4	P84-C22 	x 2	F35-C31 	x 2

F35-C32		x 2	P84-V4-A01		x 4	E04		x 6		
F35-C33		x 2	F35-V4-A04		x 1	E12		x 12		
C35-V4-A01		x 1	AM86-A10		x 2	F35-D03		x 1		
C35-A03		x 1	A64-A15		x 2	F35-C34		x 1		
F35-V4-A01		x 1	F35-D02		x 1					
F35-V4-A02		x 1	E01		x 20					
C35-A06		x 2	E02		x 280					
F35-A03		x 1	E03		x 32					







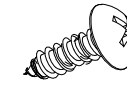
P84-C01 x1



P84-C02 x3



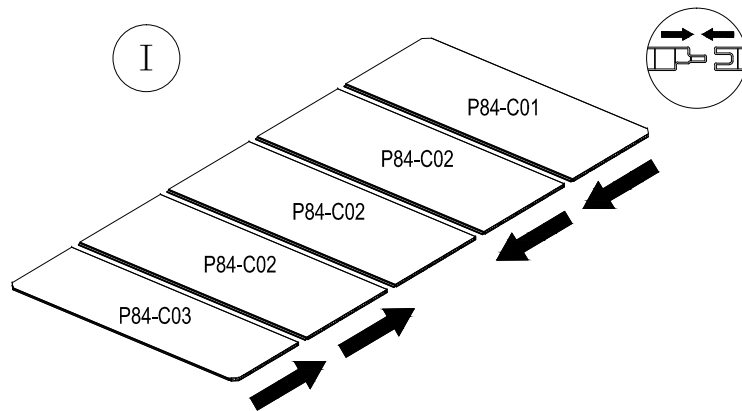
P84-C03 x1



(ST4.2x12)  
E02x8

## Basement Pre-assembly

# A

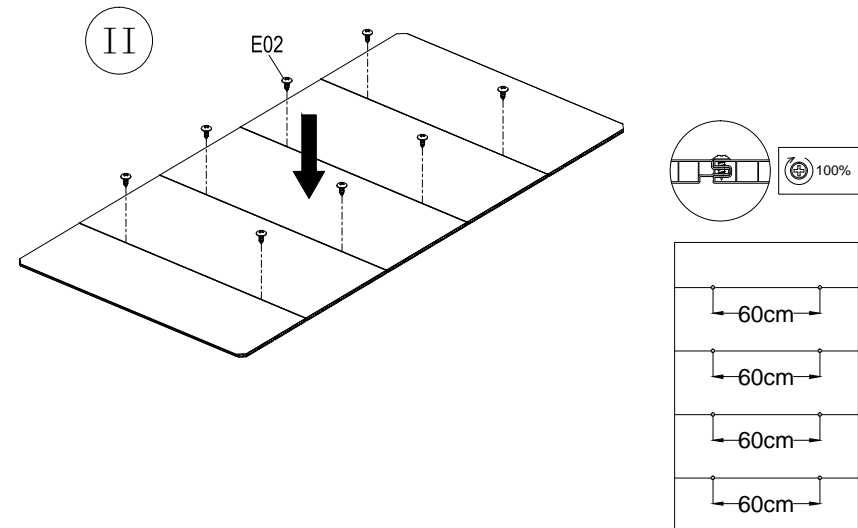


Note : All panels have a rough side and a smooth side. When installing, make sure that the smooth side is toward the inside of the storage shed.

There are card slots on all panels. Align the panel and push it directly with force when installing panels; if it can't be pushed, you can stand the panel up and use the sliding type installation

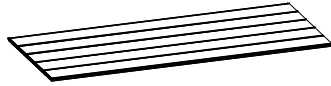
Place the panel smooth side up, knock the panel tightly by using hammer to make sure the panel is tightly fitted. This will prevent leaks, and then secure it with screws.

It is recommended to have three people install this at the same time, this will help with a better installation.

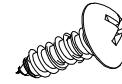




P84-C10 x2



P84-C09 x6

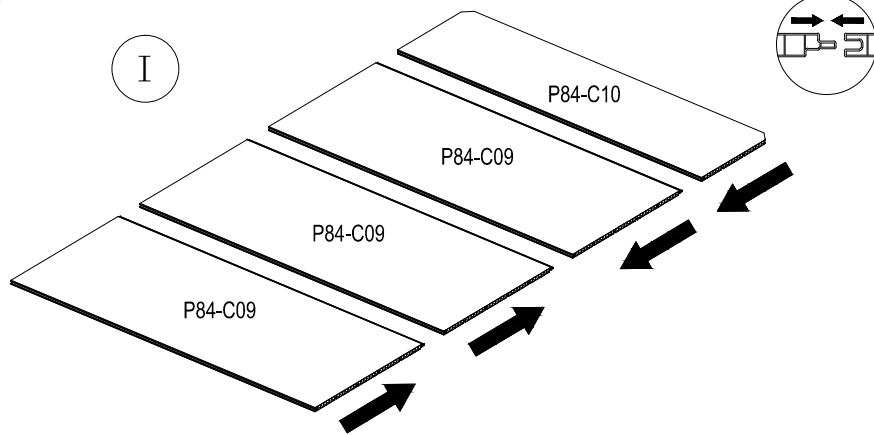


(ST4.2x12)  
E02x12

## Side wall Pre-assembly

### B

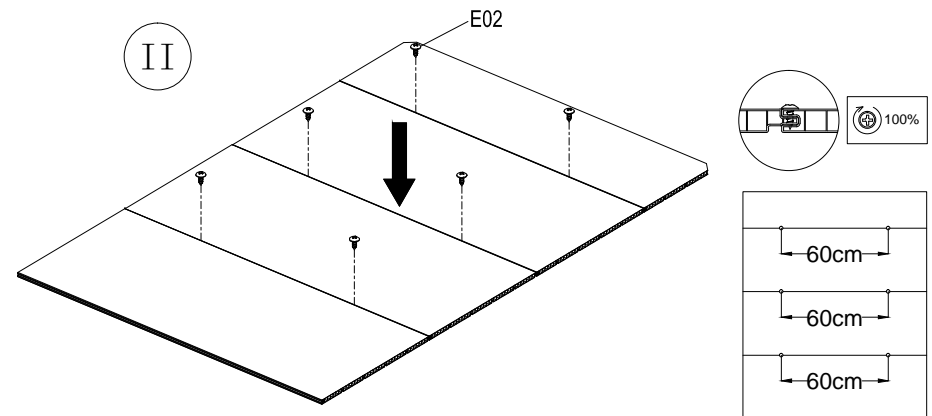
I

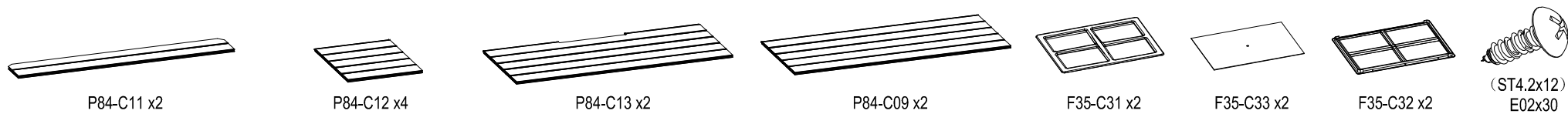


x2

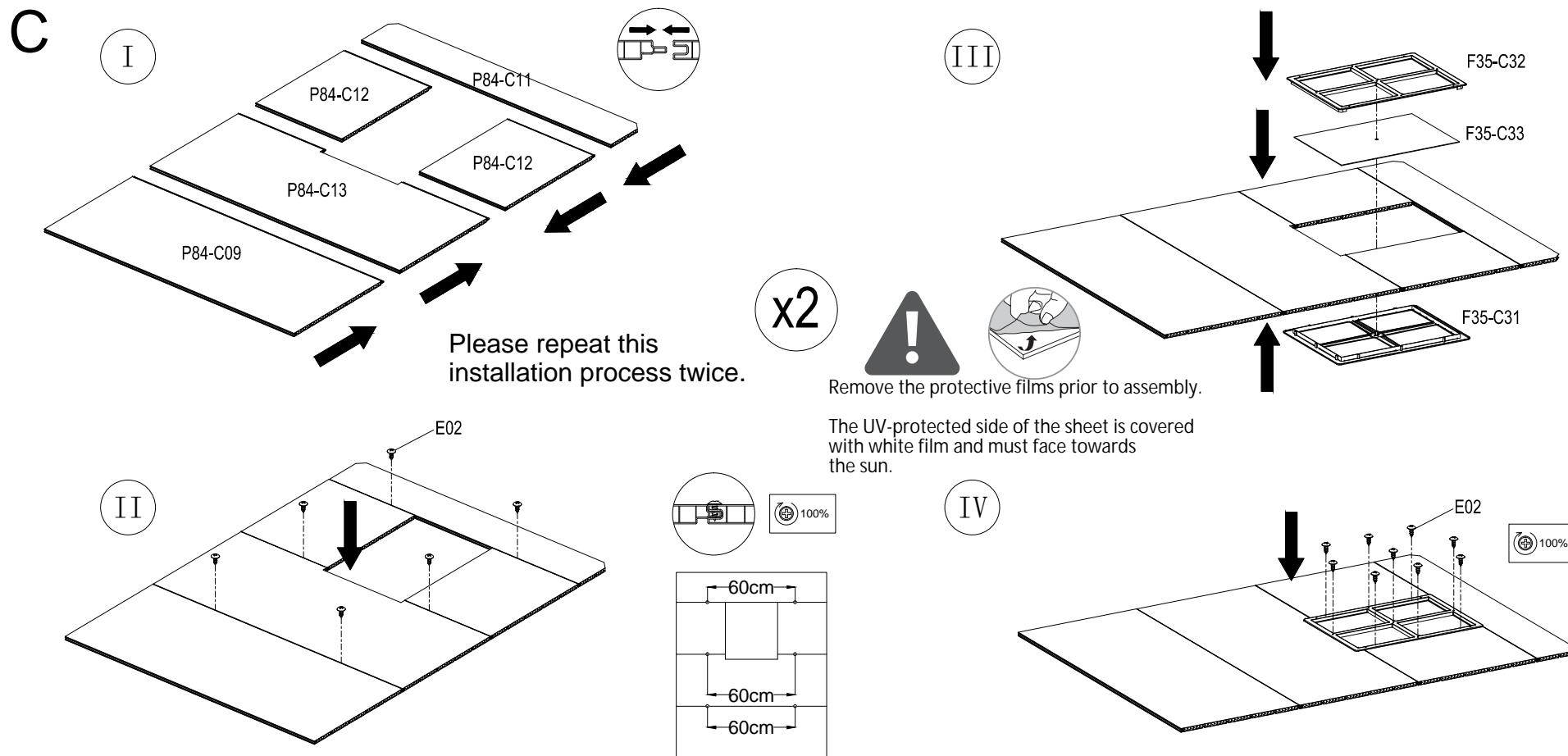
Please repeat this installation process twice.

II





## Side wall Pre-assembly

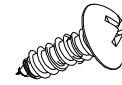




P84-C02 x3



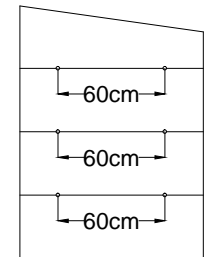
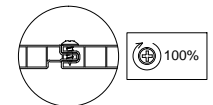
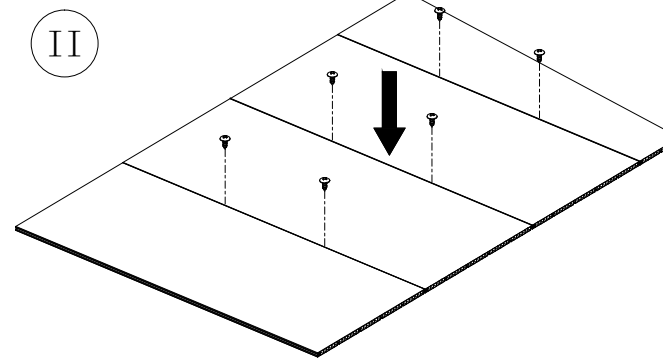
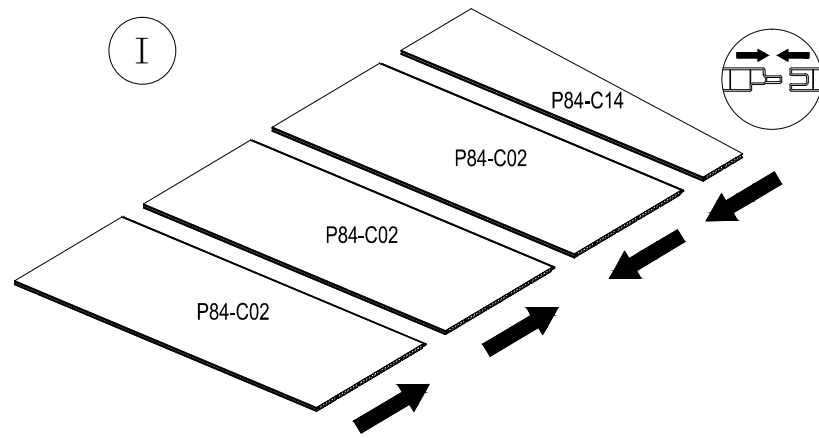
P84-C14 x1

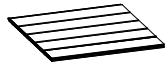


(ST4.2x12)  
E02x6

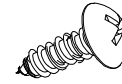
## Back wall Pre-assembly

### D





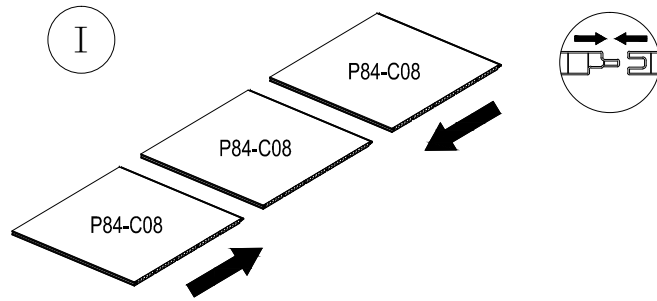
P84-C08 x3



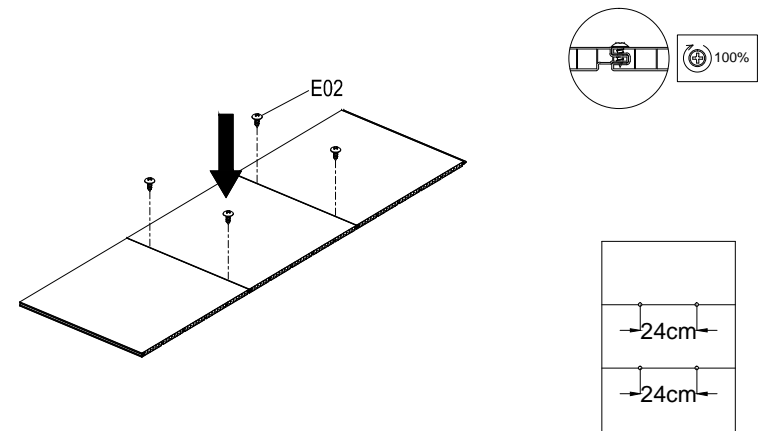
(ST4.2x12)  
E02x4

## Front wall Pre-assembly

# E



II





F35-C04 x3



F35-C03 x1



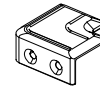
C35-A03 x1



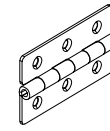
F35-A03 x1



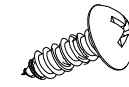
C35-A06 x2



F35-C29 x4



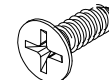
A64-A15 x2



(ST4.2x12)  
E02x8



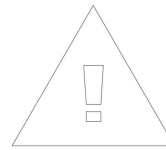
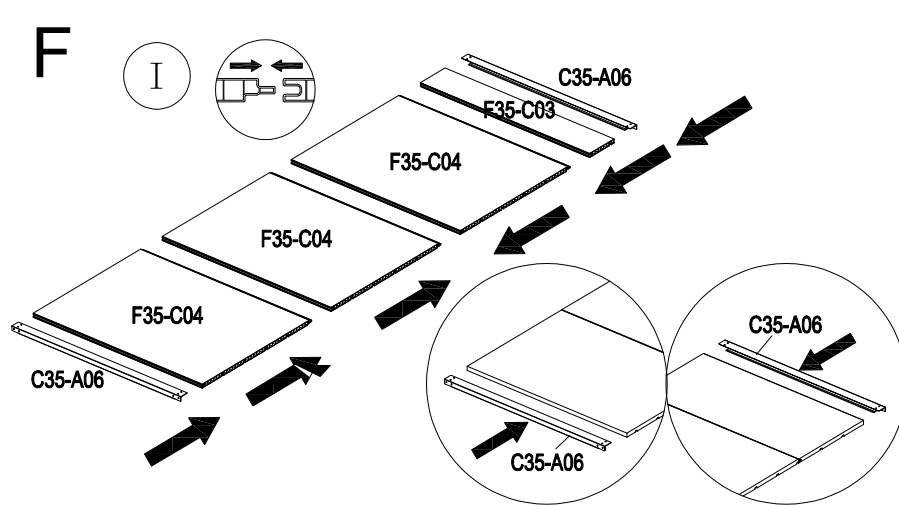
(M4x10)  
E12x6



(ST4.2x13)  
E01x16

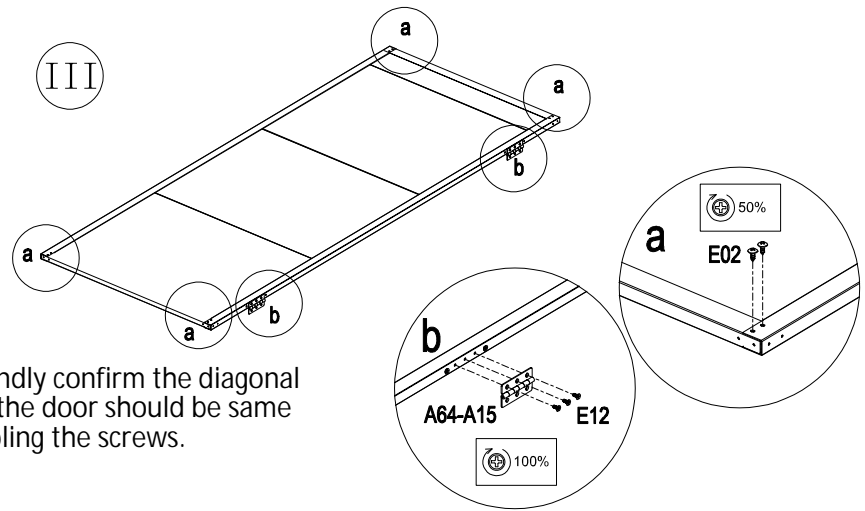
## Door Pre-assembly

F

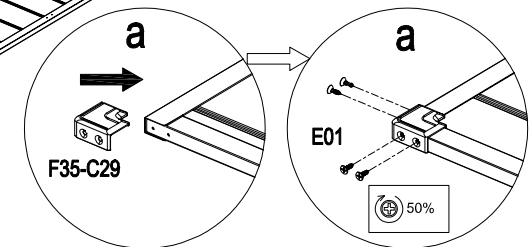
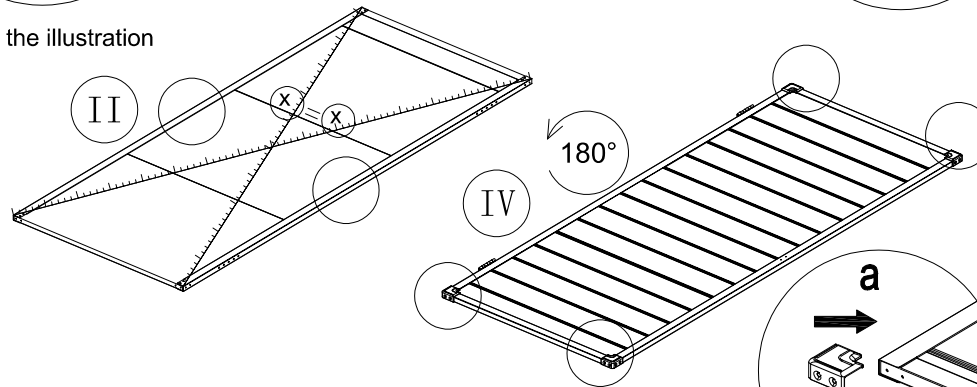
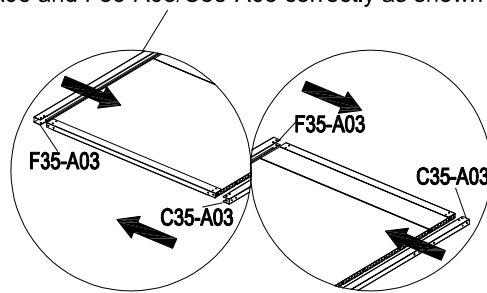


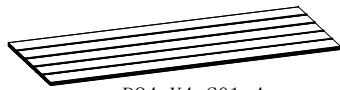
$X = X$

Note: Please kindly confirm the diagonal distance "X" of the door should be same before assembling the screws.



Please position C35-A06 and F35-A03/C35-A03 correctly as shown in the illustration





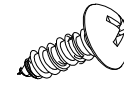
P84-V4-C01x4



P84-V4-C02x2



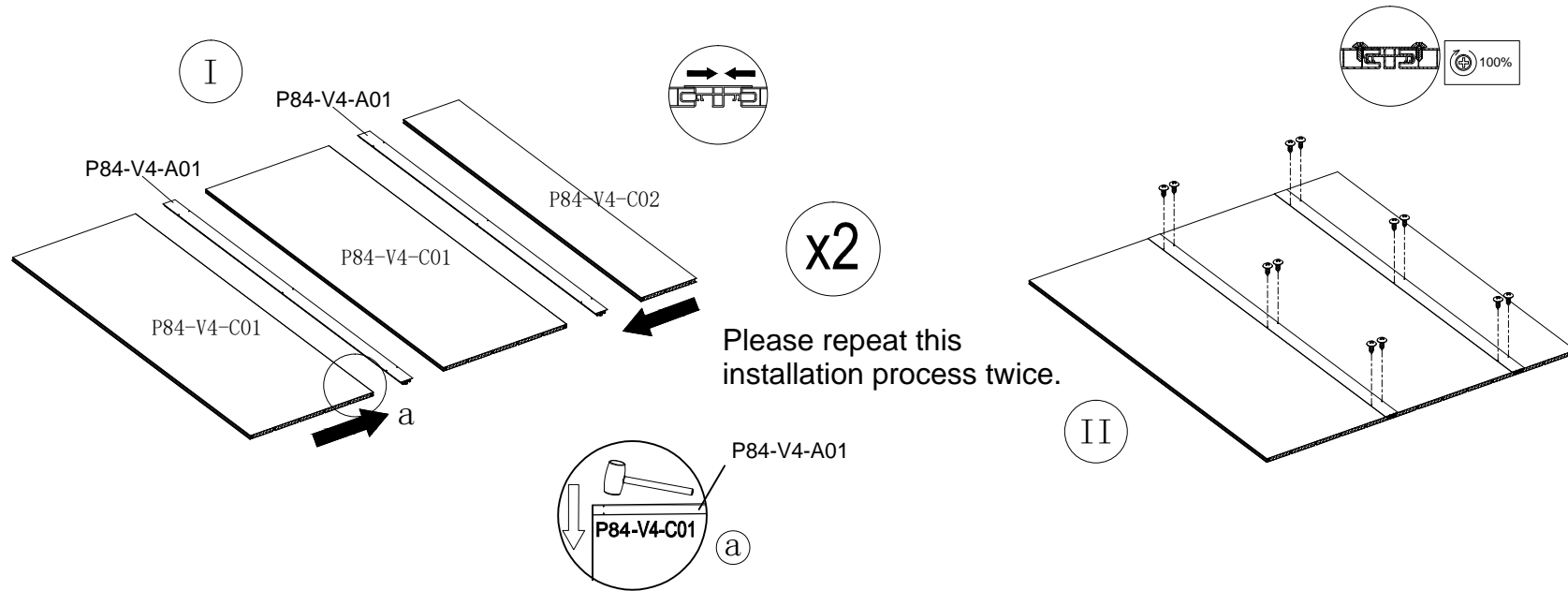
P84-V4-A01x4

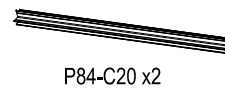
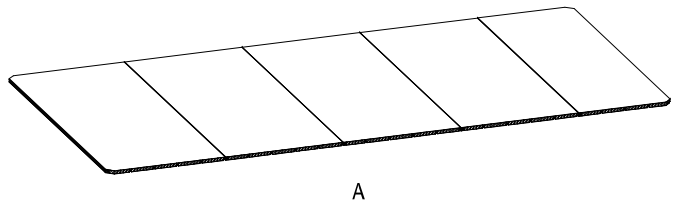


(ST4.2x12)  
E02x24

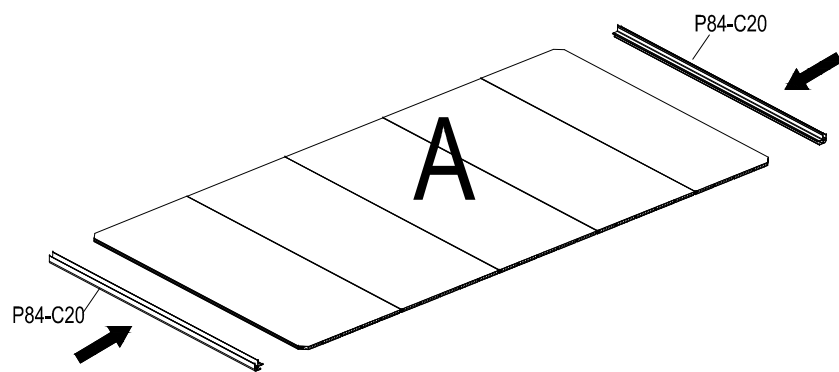
## Roof Pre-assembly

# G

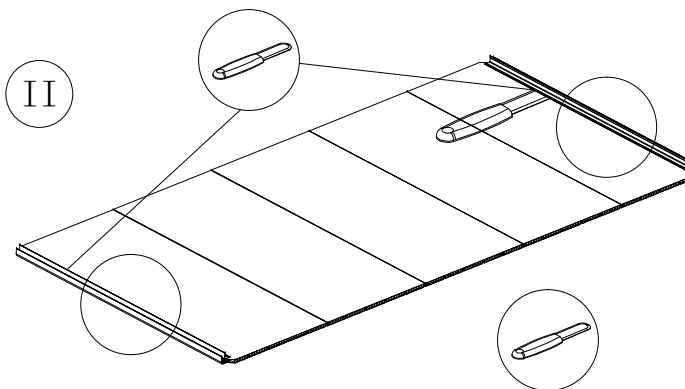




I



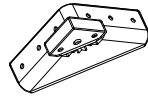
II



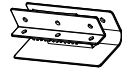
Please use rubber-knife to helping assembly.



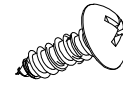
P84-C19 x4



F35-C27 x4

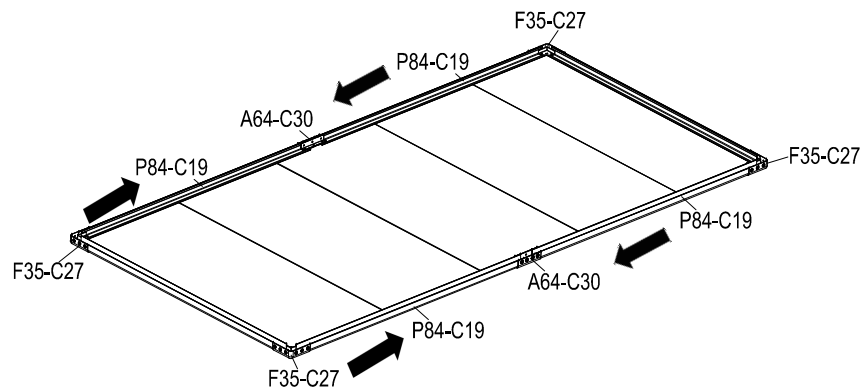
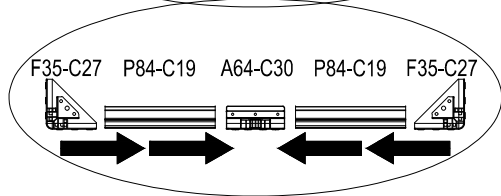
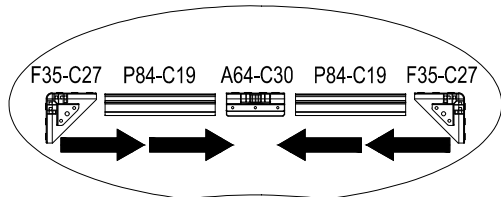


A64-C30 x2



(ST4.2x12)  
E02x16

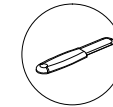
I



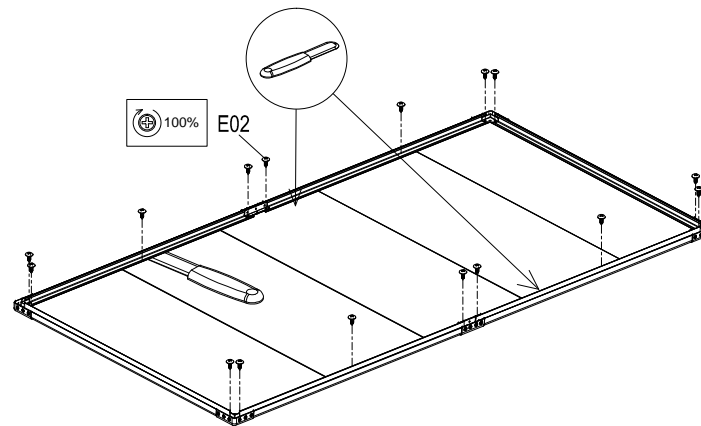
Insert P84-C19 in the direction  
of the arrow shown in the illustration.

Insert F35-C27  
Insert A64-C30

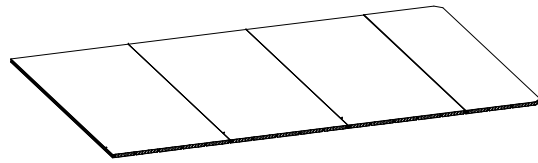
II



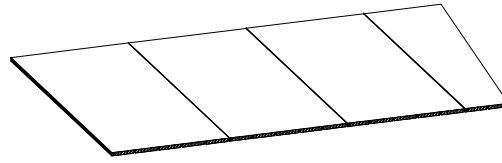
Please use rubber-knife to helping assembly.



Lock the screws



B x1



D x1



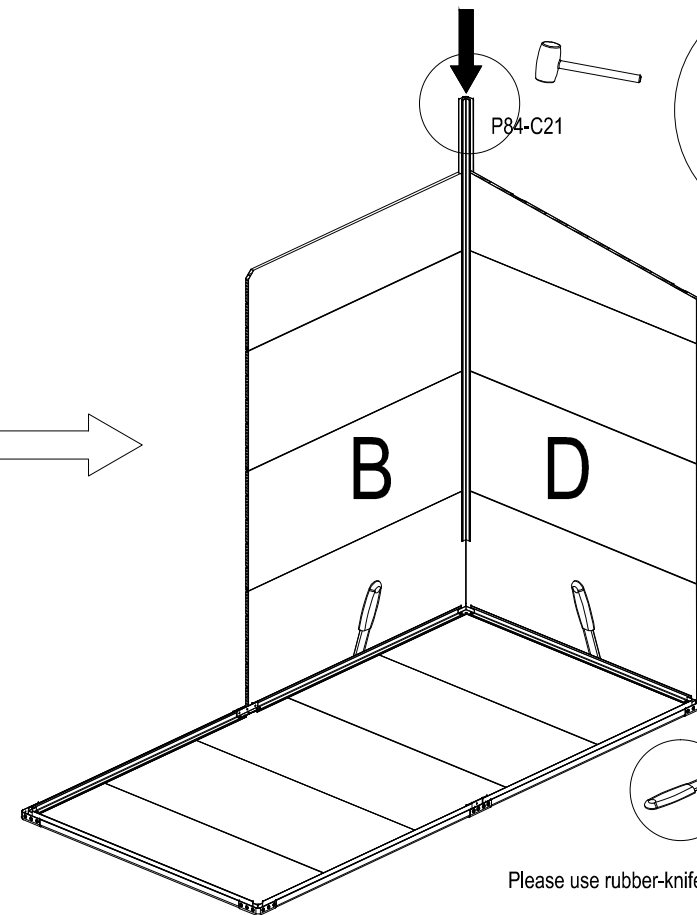
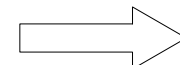
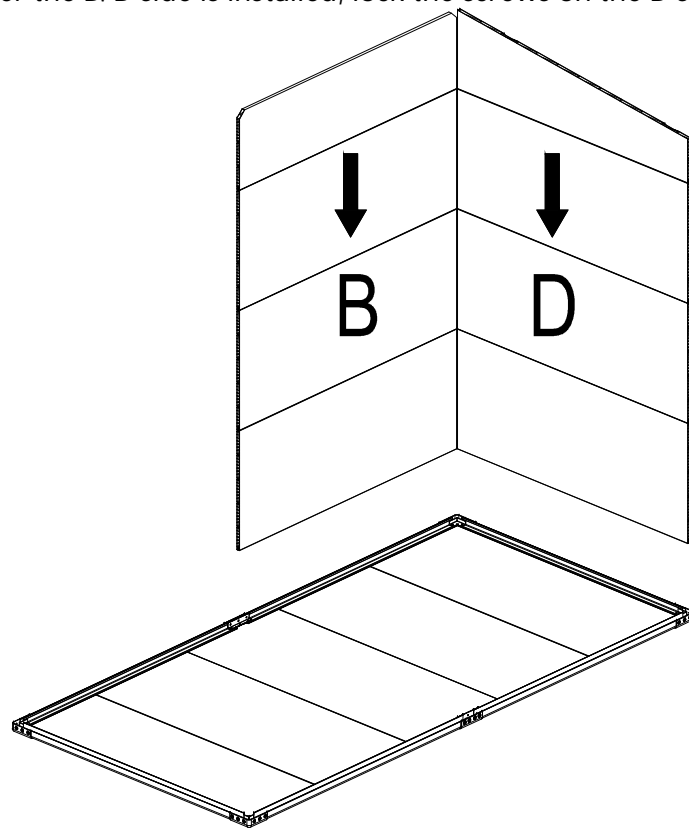
P84-C21 x1

It is recommended to have three people install this at the same time (one standing on the ladder to insert P84-C21, and one person holding on each of the B/D sides)

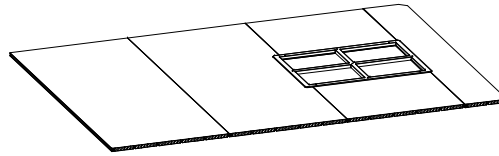
Smooth side facing inward

Make sure P84-C21 is inserted to the bottom

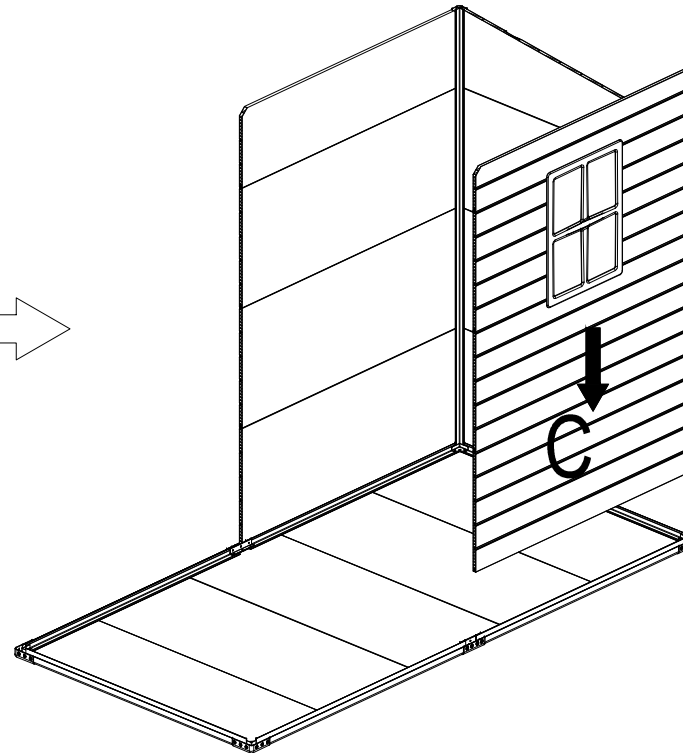
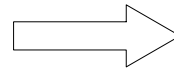
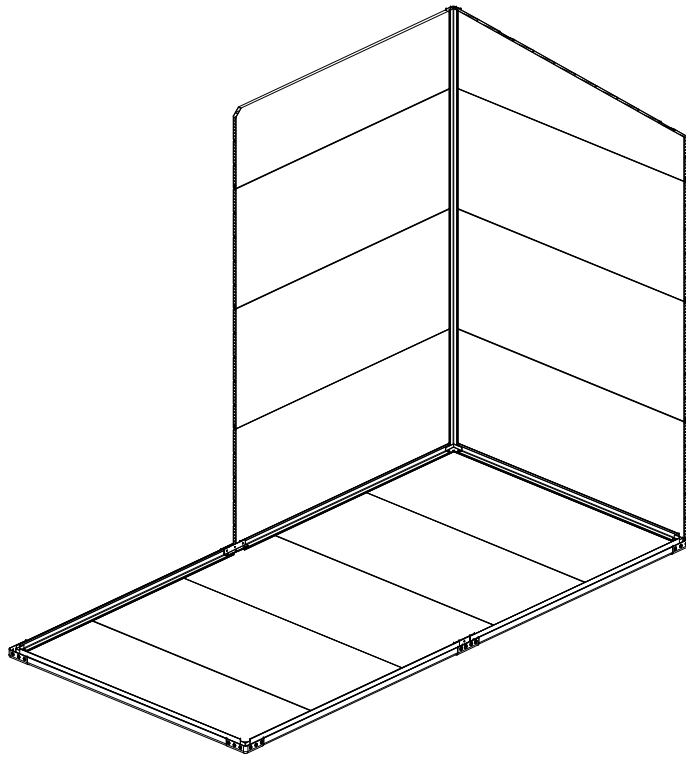
After the B/D side is installed, lock the screws on the D side.



Please use rubber-knife to helping assembly.

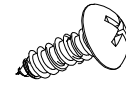


C x1

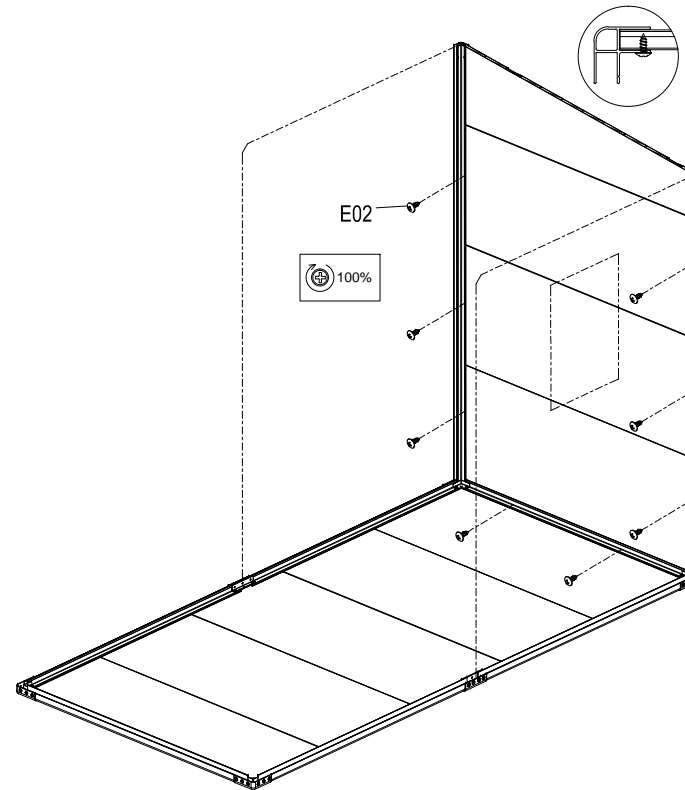
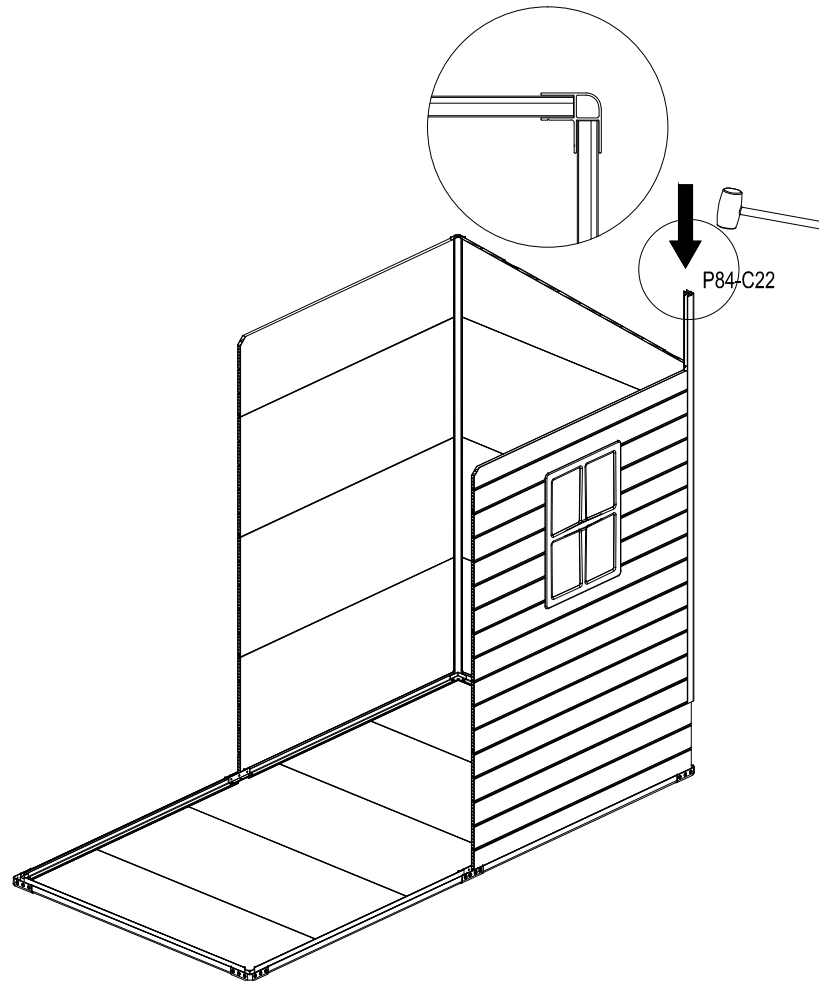


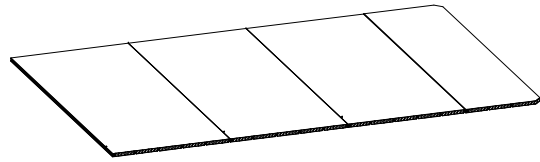


P84-C22 x1



(ST4.2x12)  
E02x8





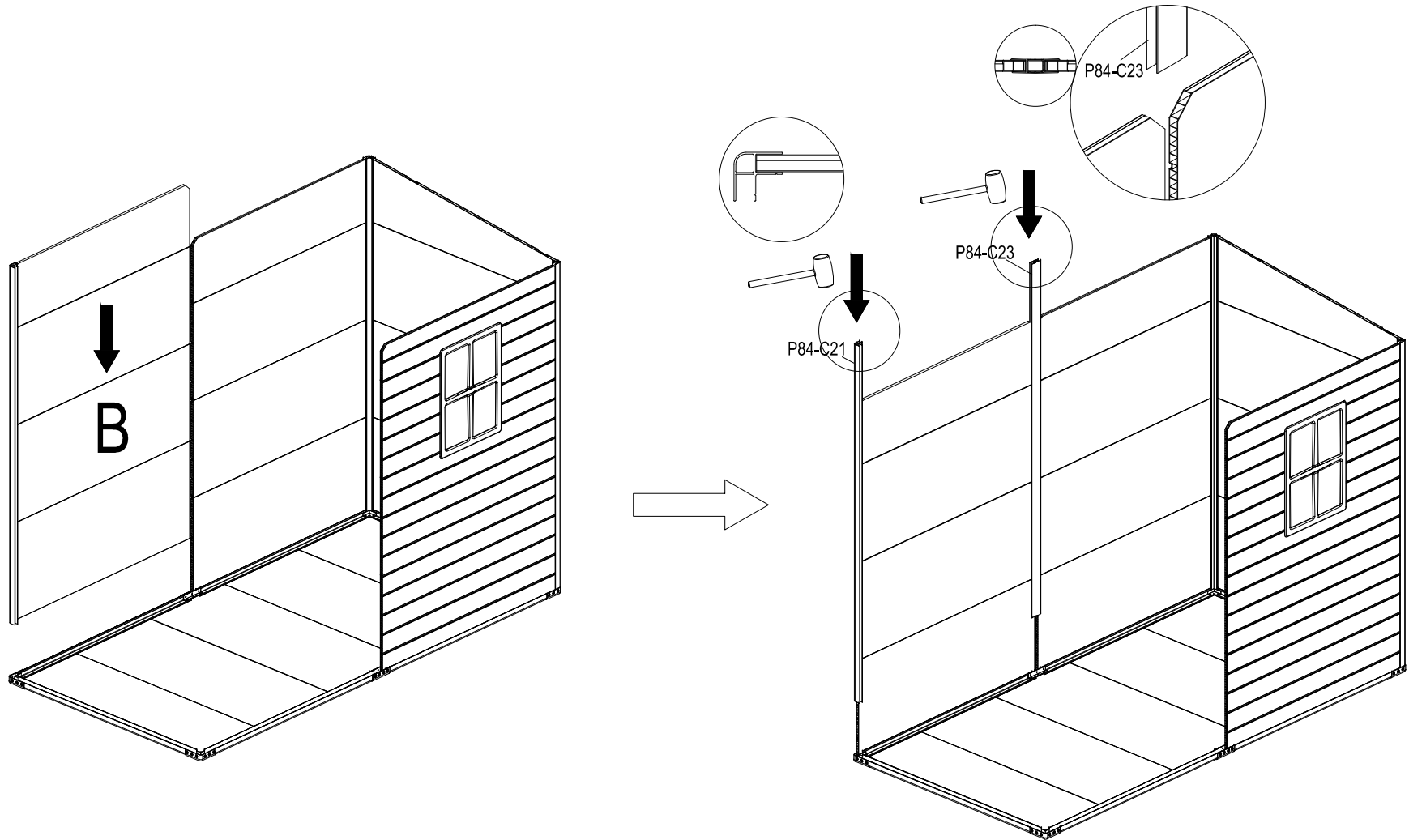
B x1

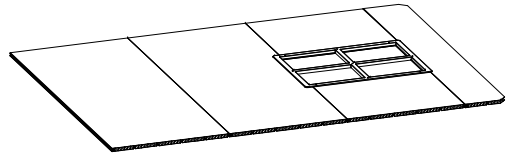


P84-C21 x1

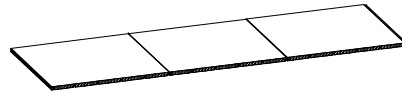


P84-C23

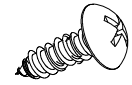




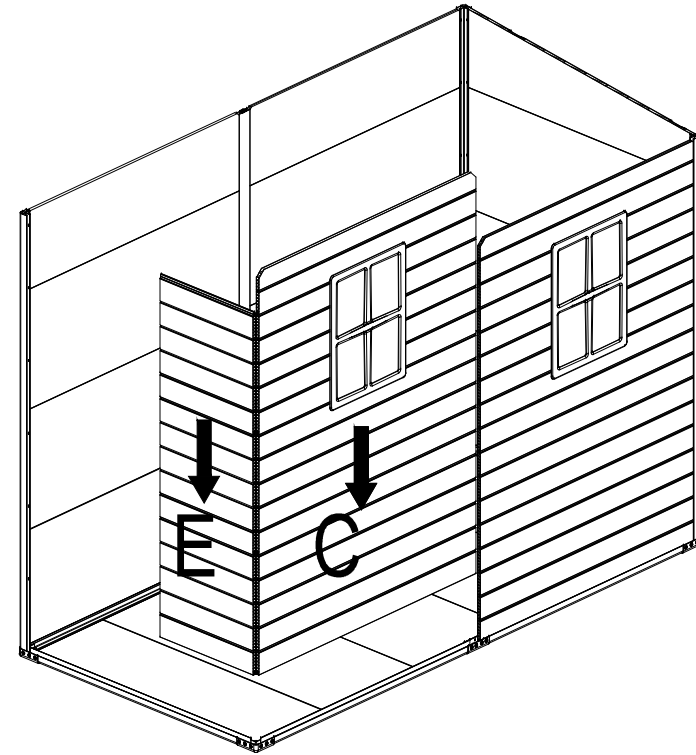
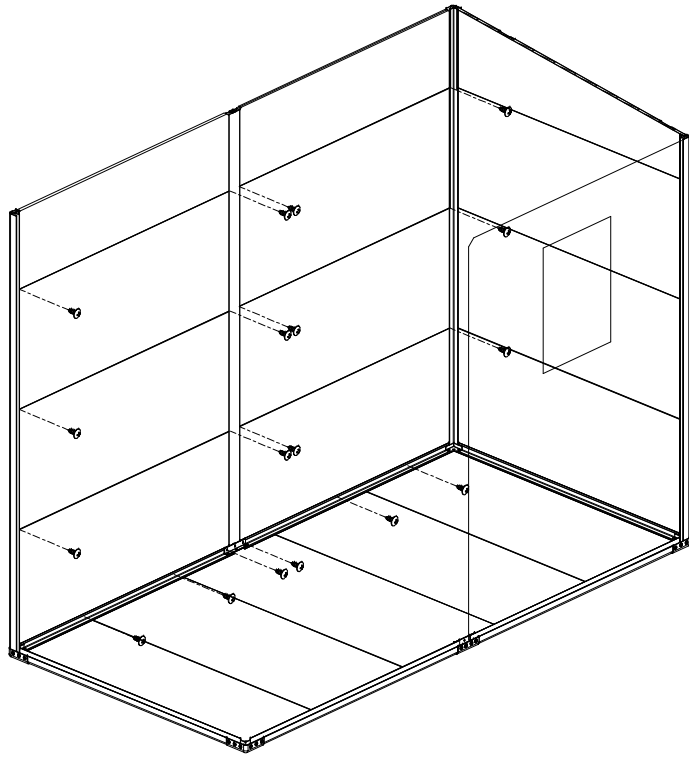
C x1



E x1



(ST4.2x12)  
E02x18

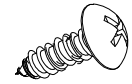




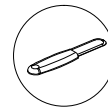
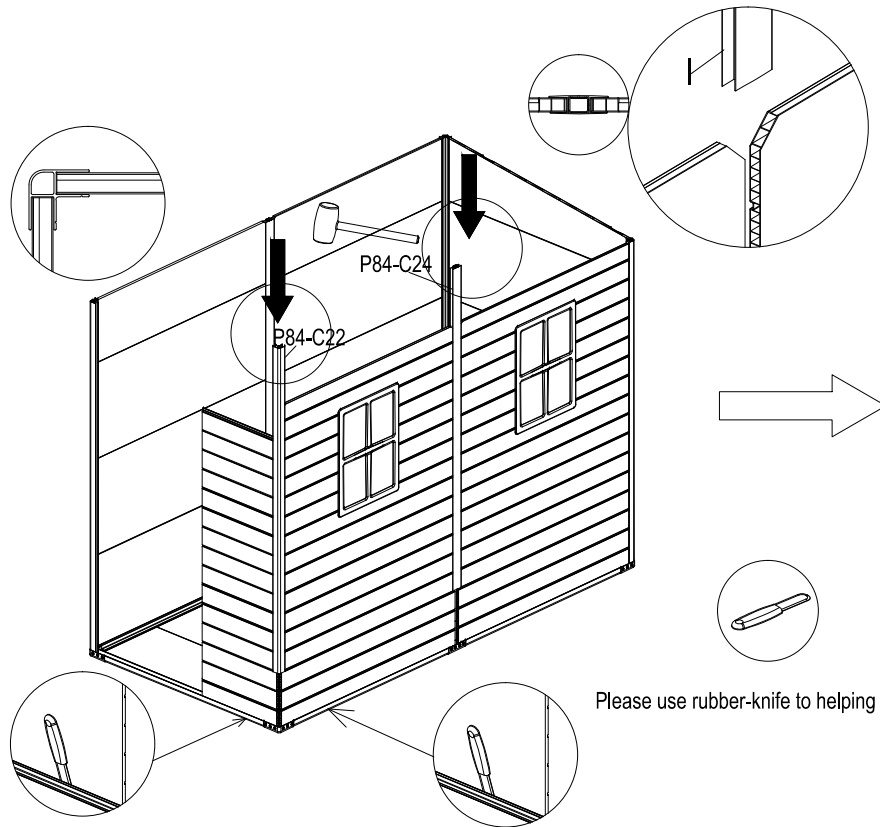
P84-C22 x1



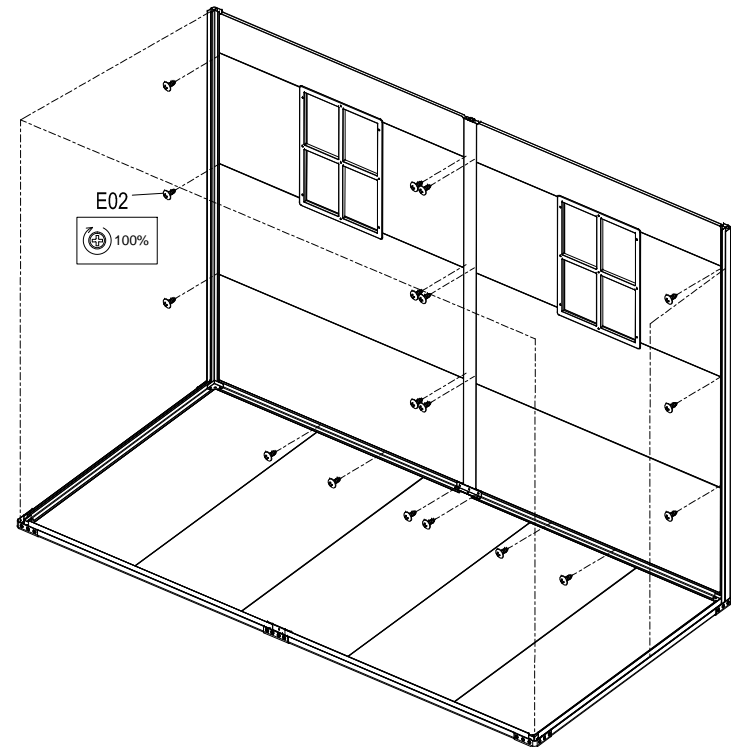
P84-C24x1

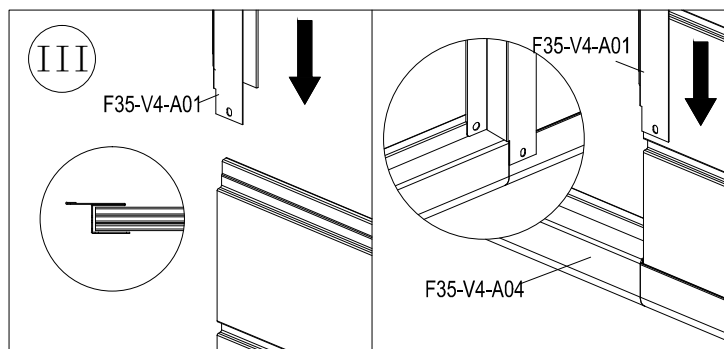
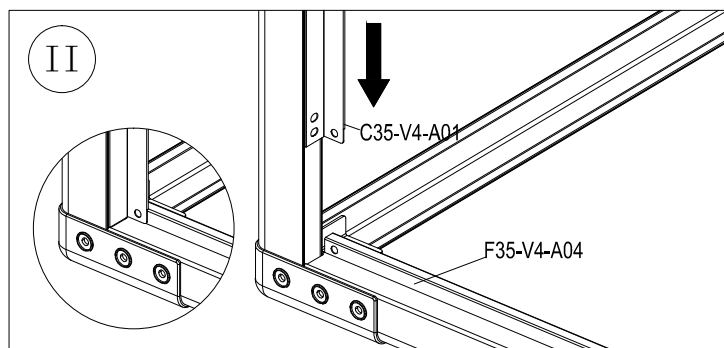
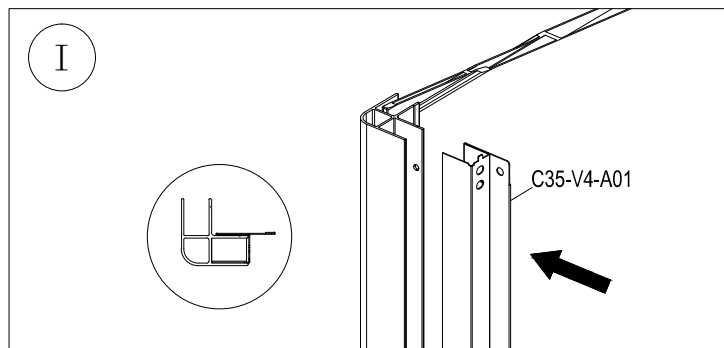
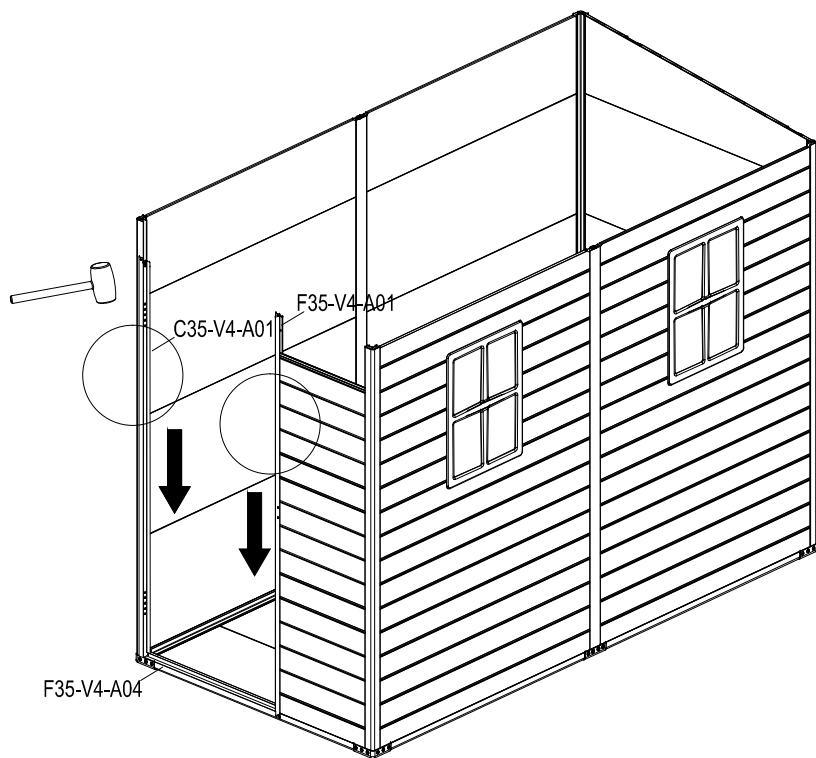
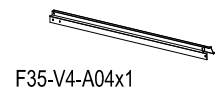
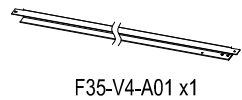
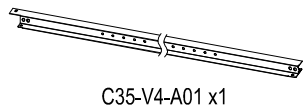


(ST4.2x12)  
E02x18



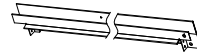
Please use rubber-knife to helping assembly.







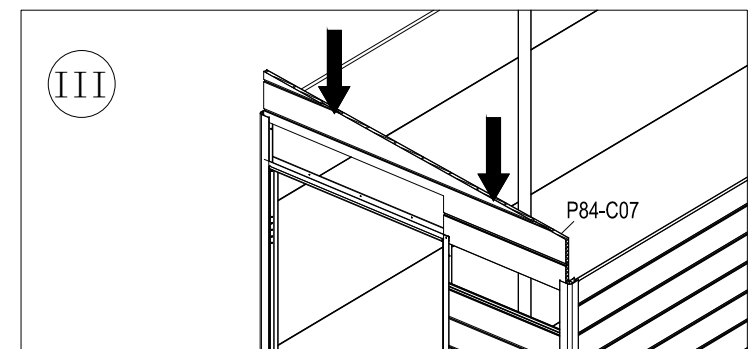
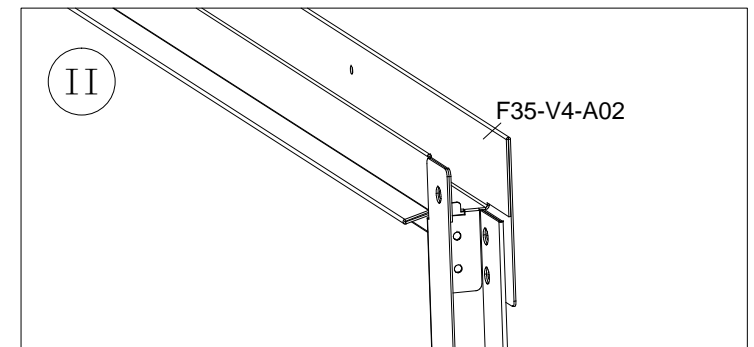
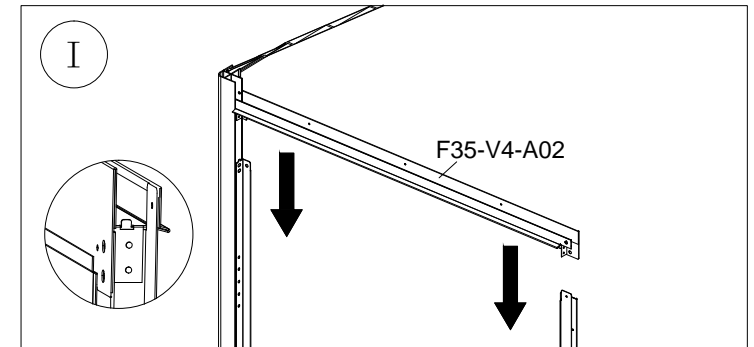
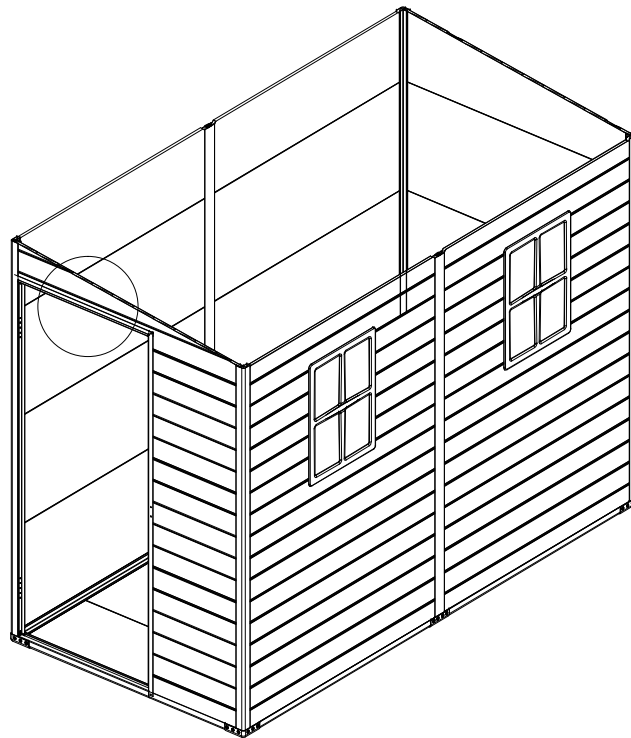
P84-C07 x1

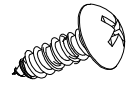


F35-V4-A02 x1

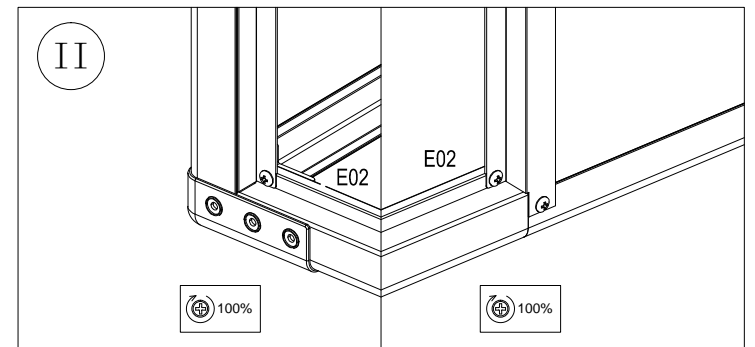
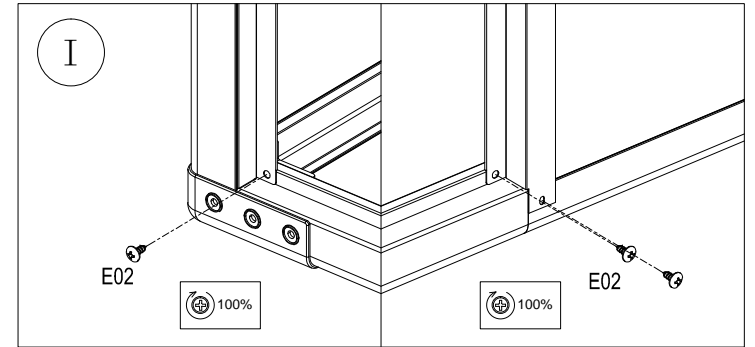
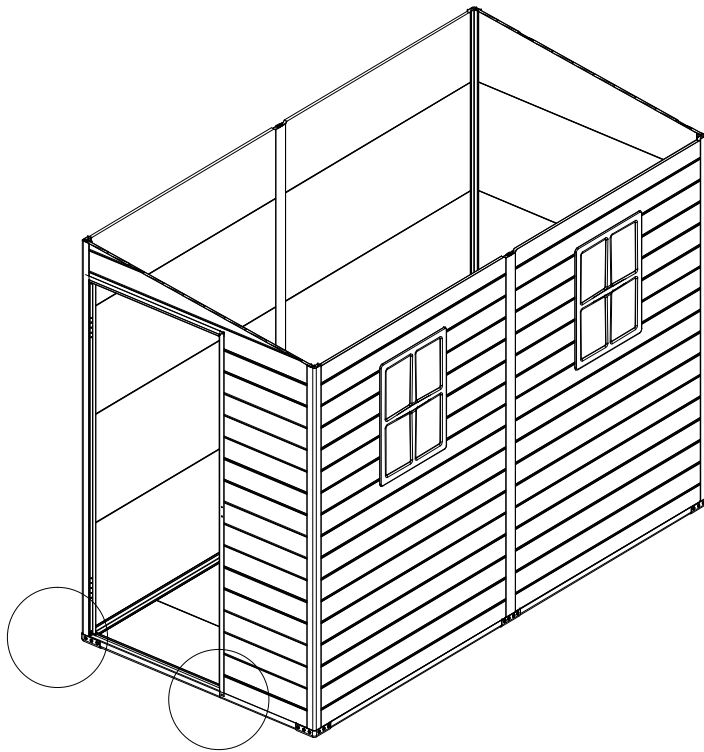
Note : Please bend the iron pieces on both ends of F35-V4-A02 to form a right angle, then insert this F35-V4-A02.

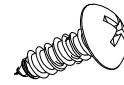
Please note that the F35-V4-A02 excess holes need to be stuck out of the way as shown in the illustration.



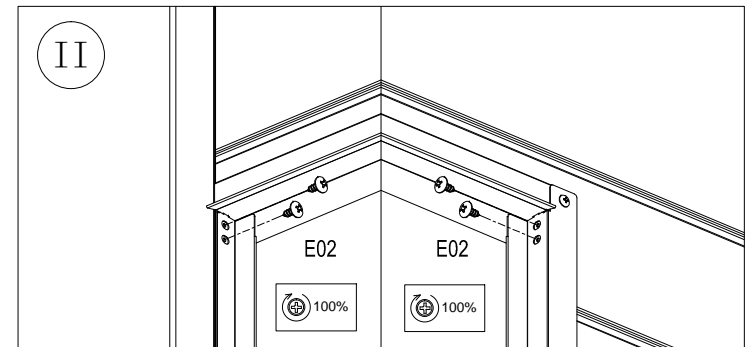
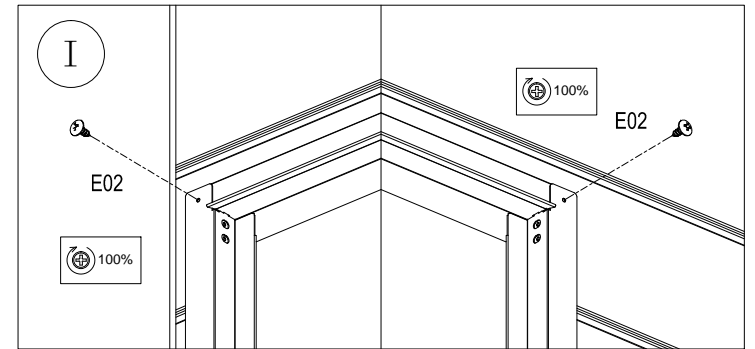
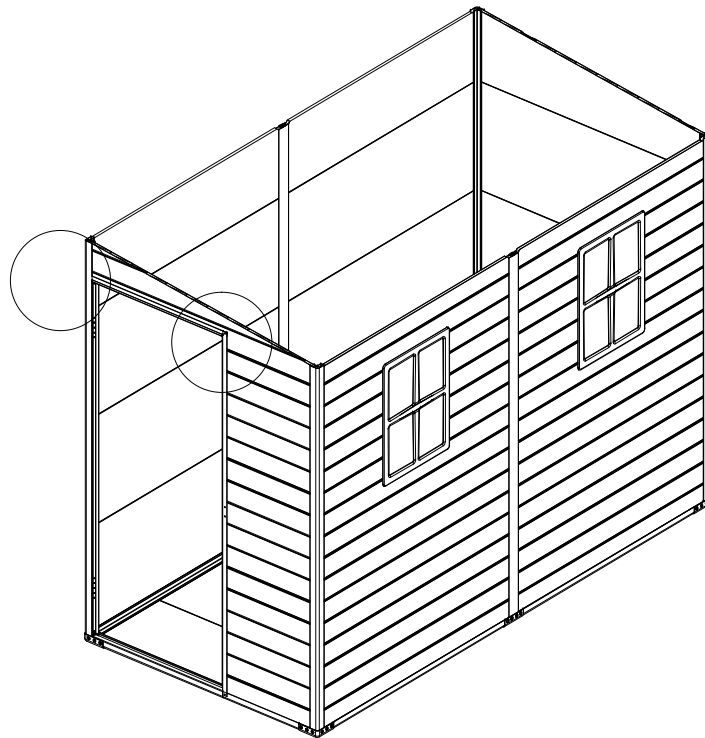


(ST4.2x12)  
E02x3





(ST4.2x12)  
E02x6

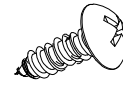




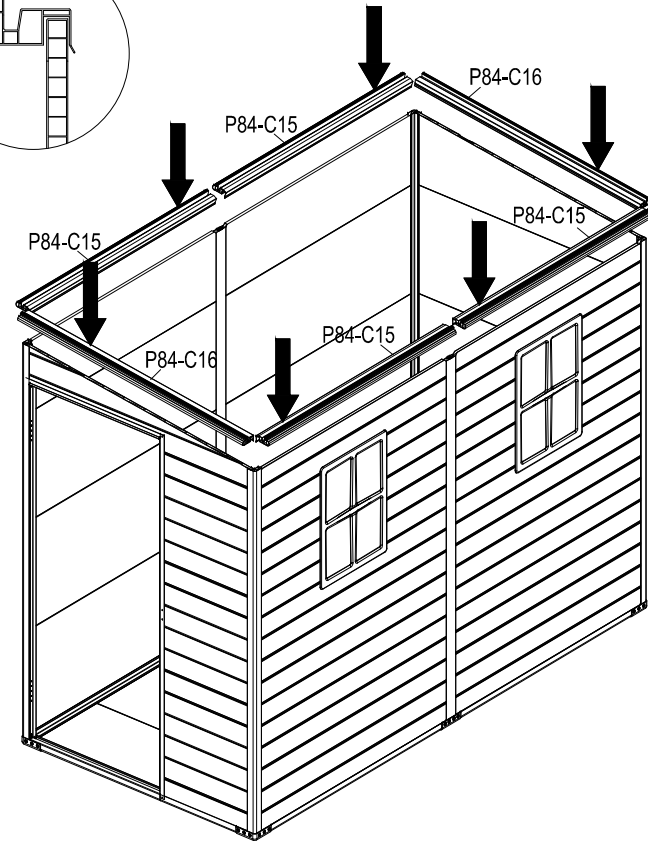
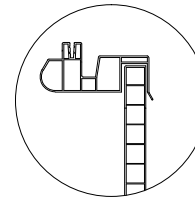
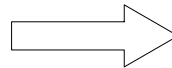
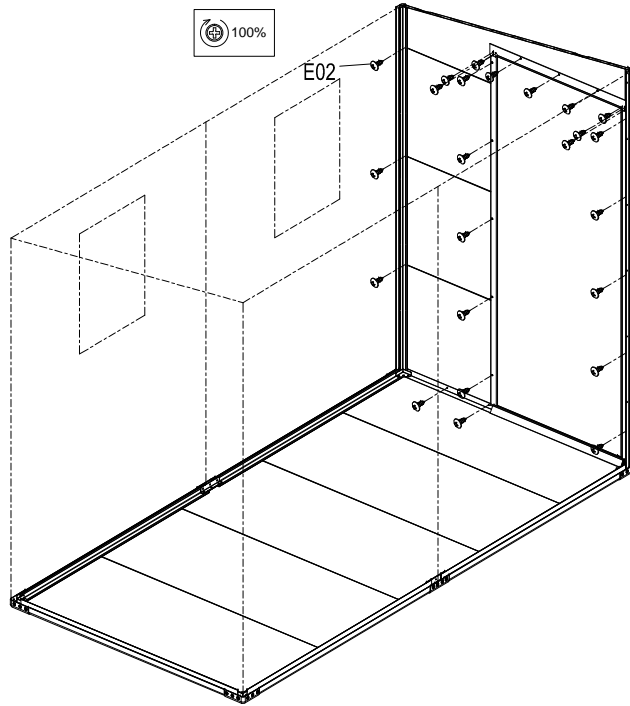
P84-C15 x4

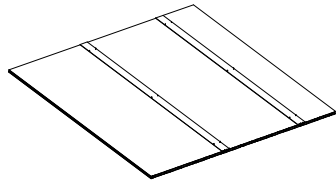


P84-C16 x2



(ST4.2x12)  
E02x24

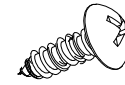




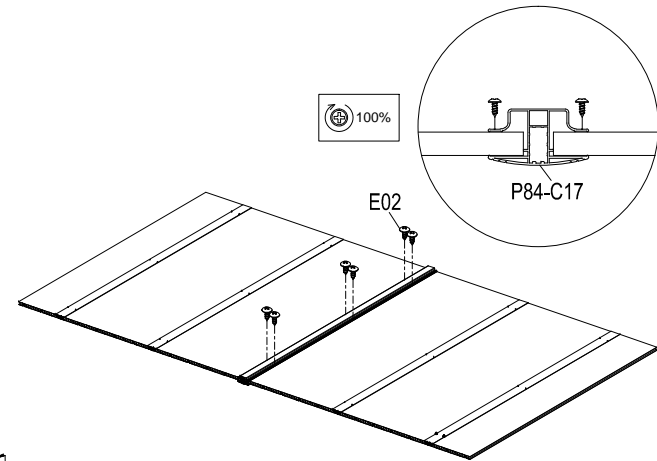
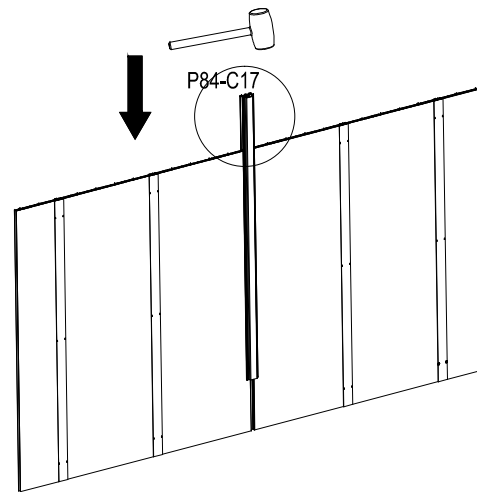
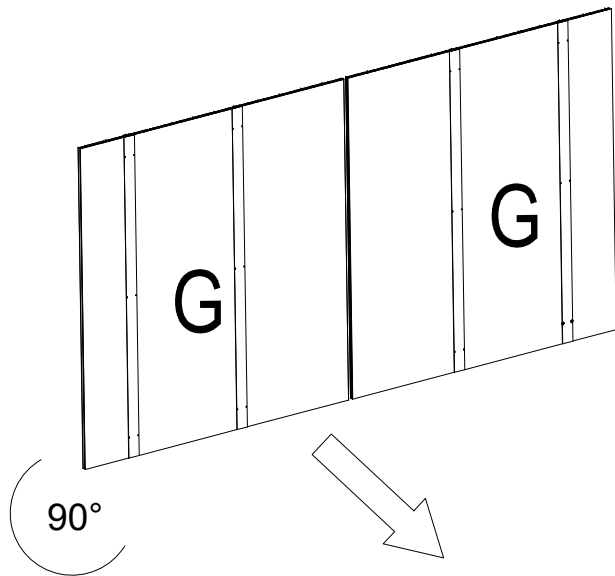
G x2



P84-C17 x1



(ST4.2x12)  
E02x6

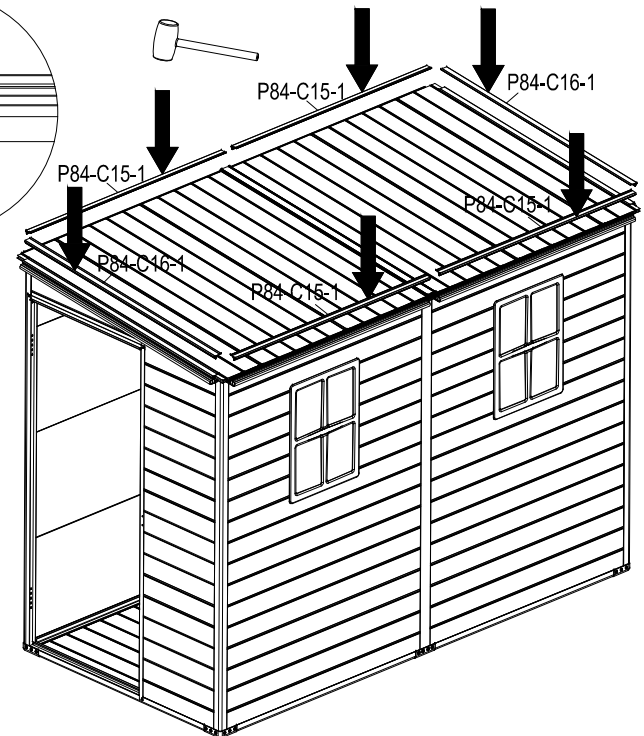
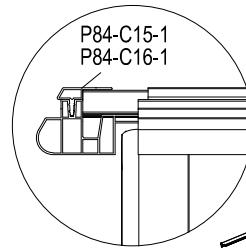
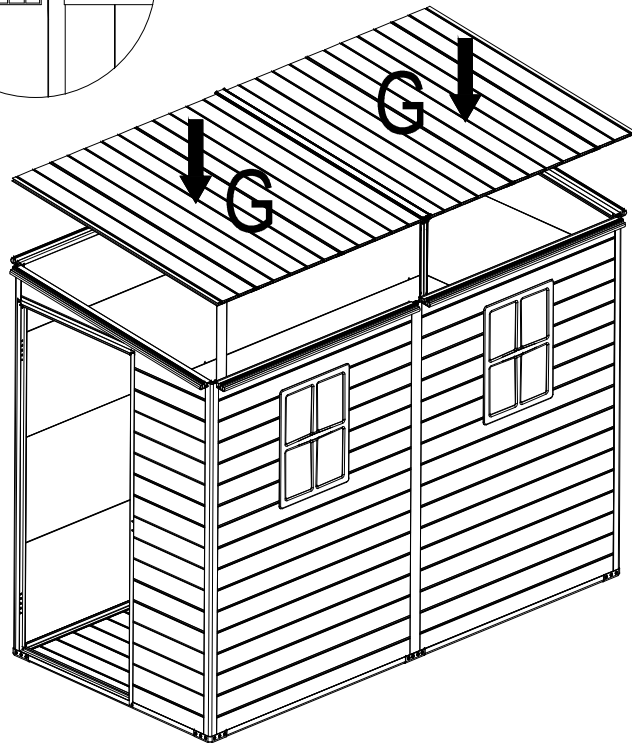
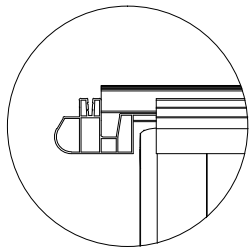


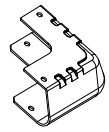


P84-C15-1 x4

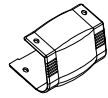


P84-C16-1 x2





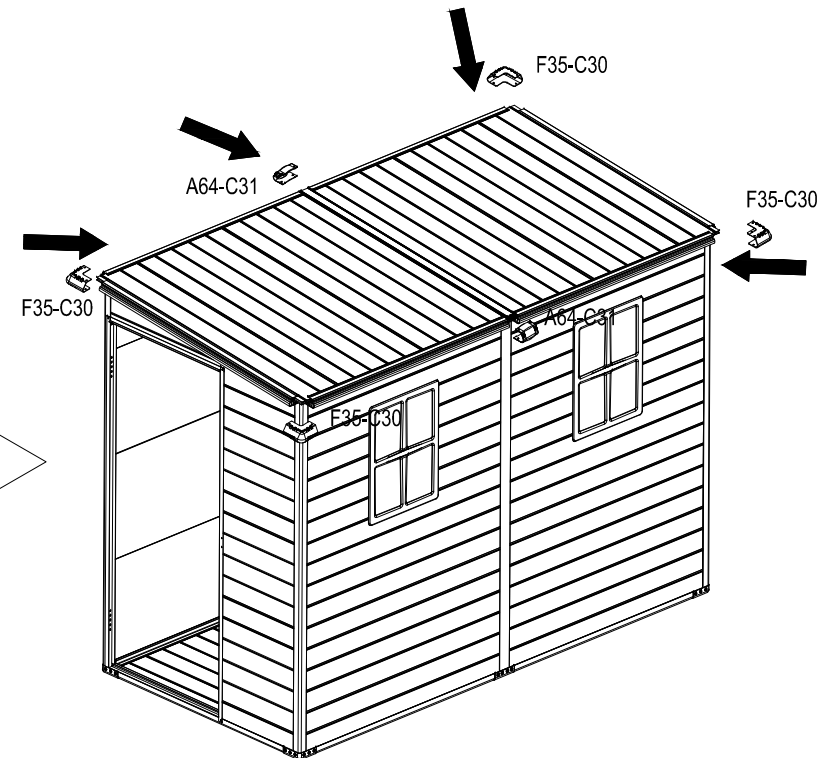
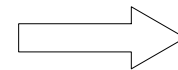
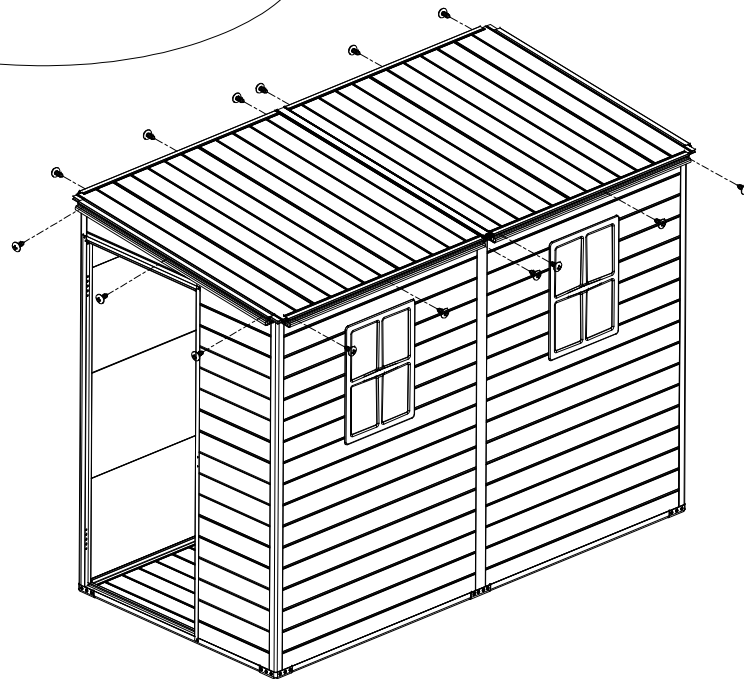
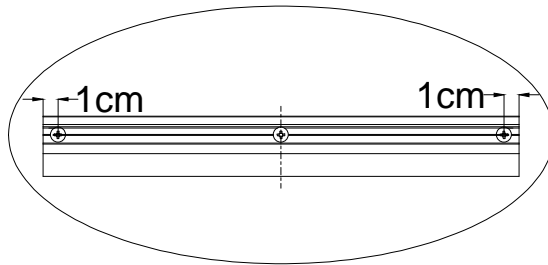
F35-C30 x4

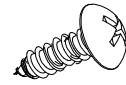


A64-C31 x2



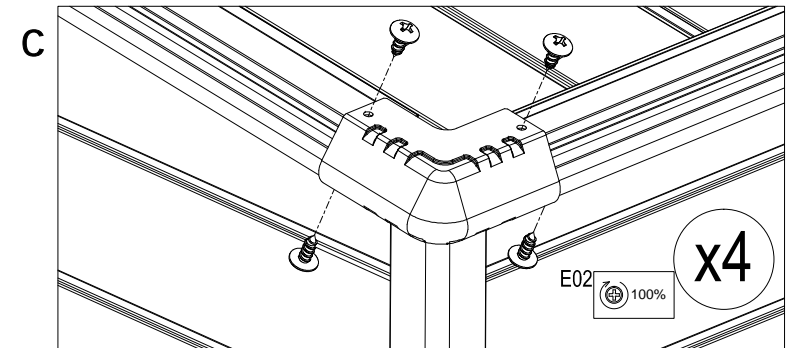
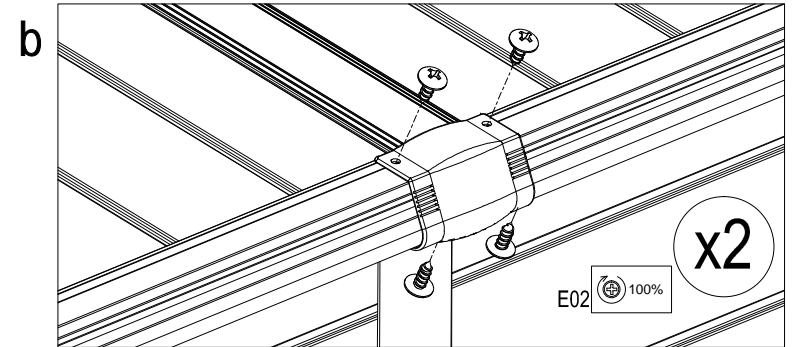
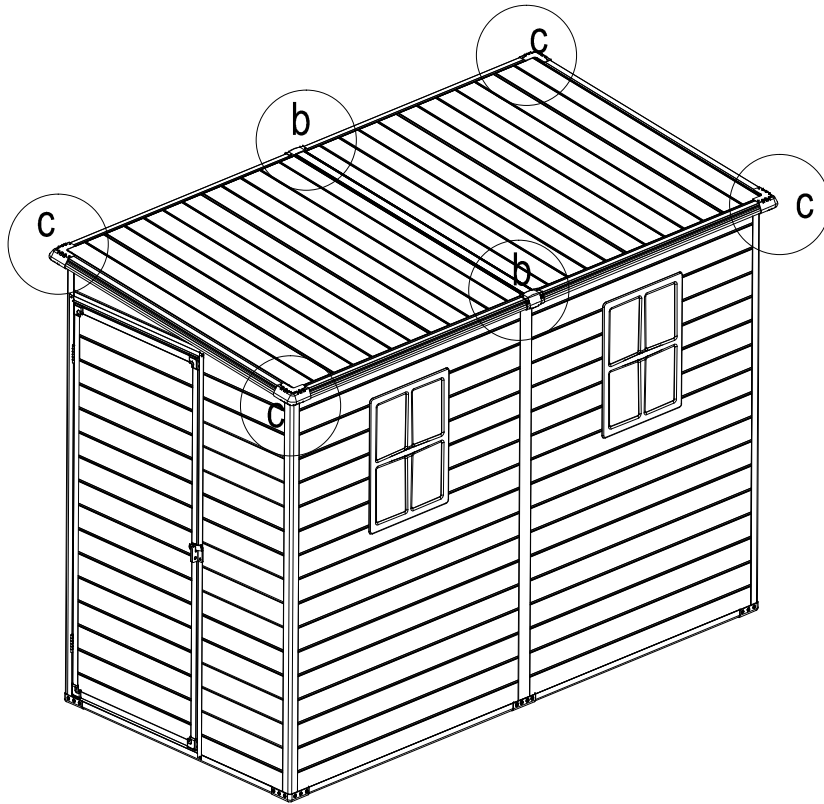
(ST4.2x12)  
E02x18

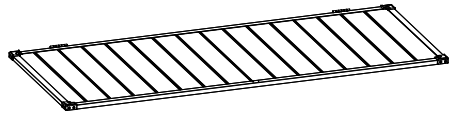




(ST4.2x12)  
E02x24

Note: Please make sure that all the holes under the connector are lined up before locking the screws.

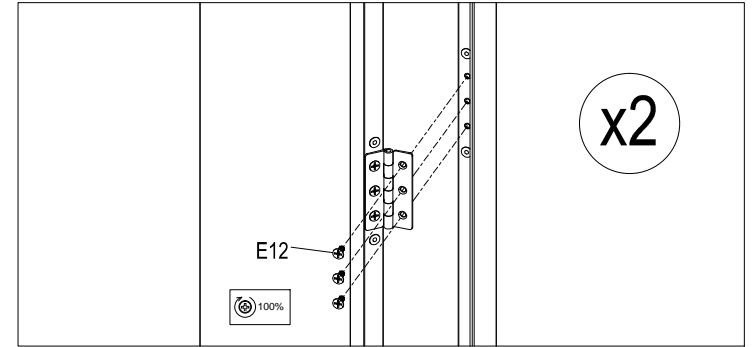
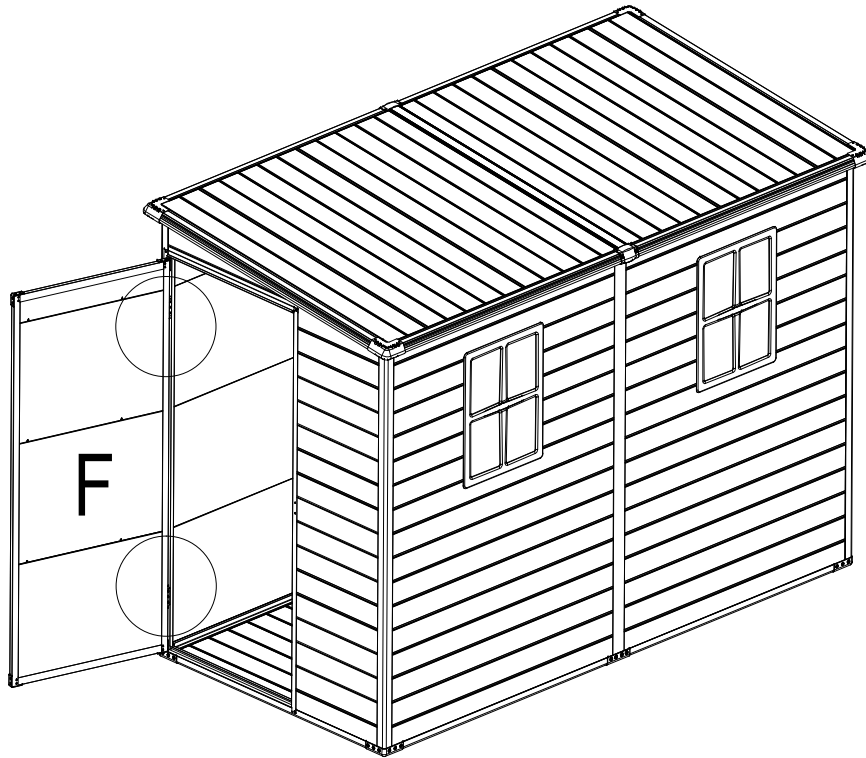




F x1

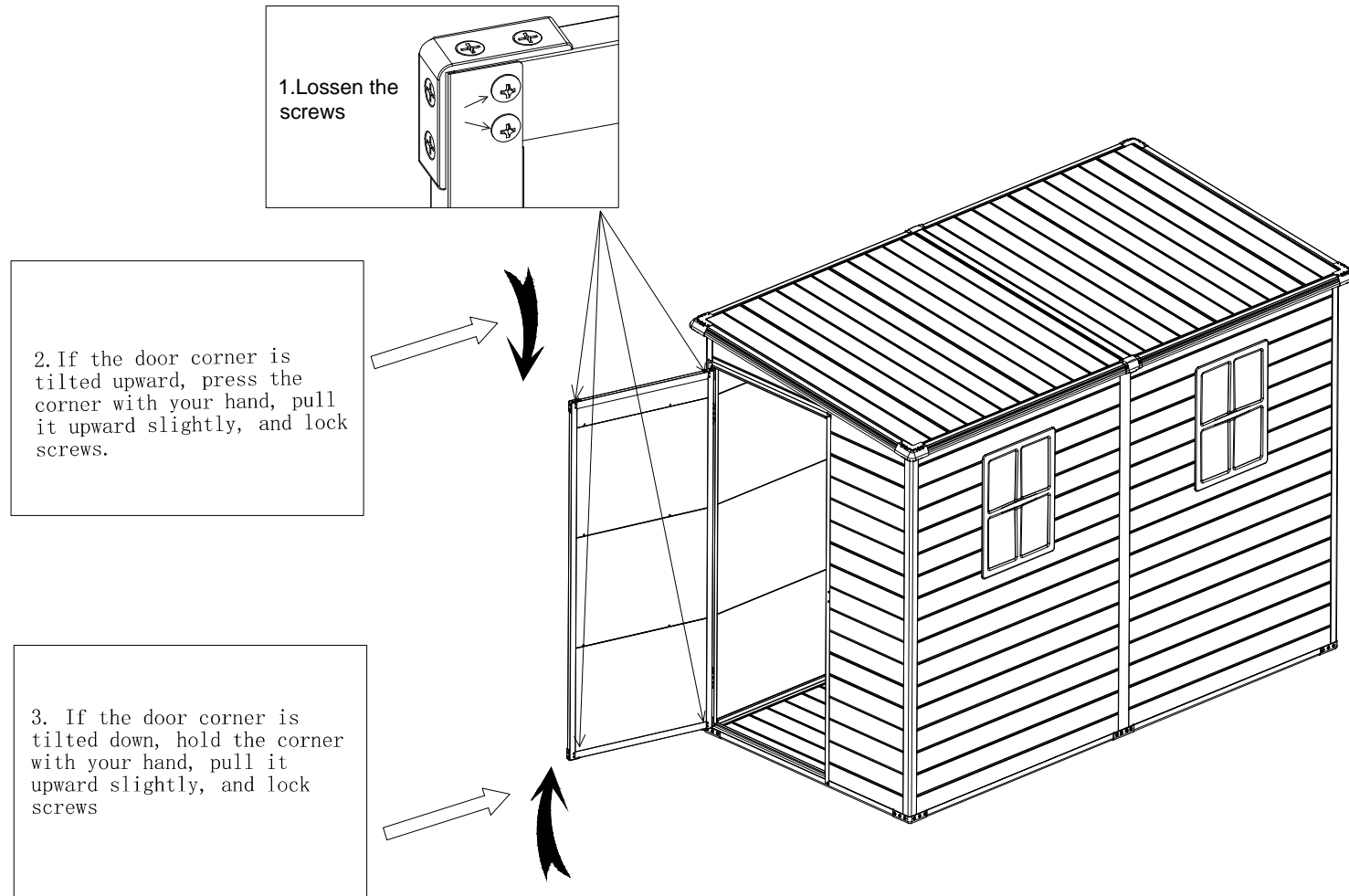


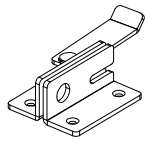
(M4x10)  
E12x6



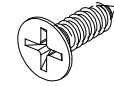
**ATTENTION!!**

When the door is not vertical or parallel after installation, please make appropriate adjustments according to the following figure.

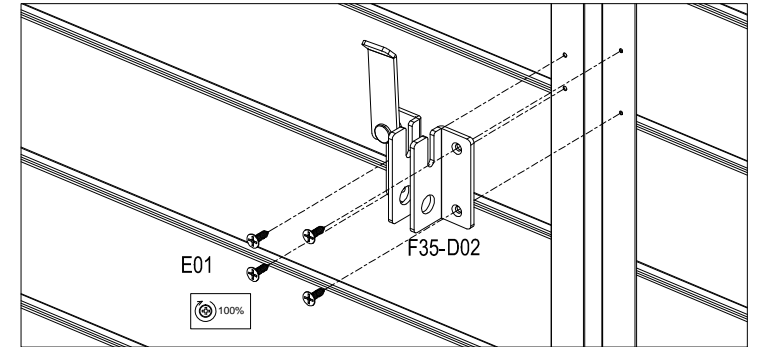
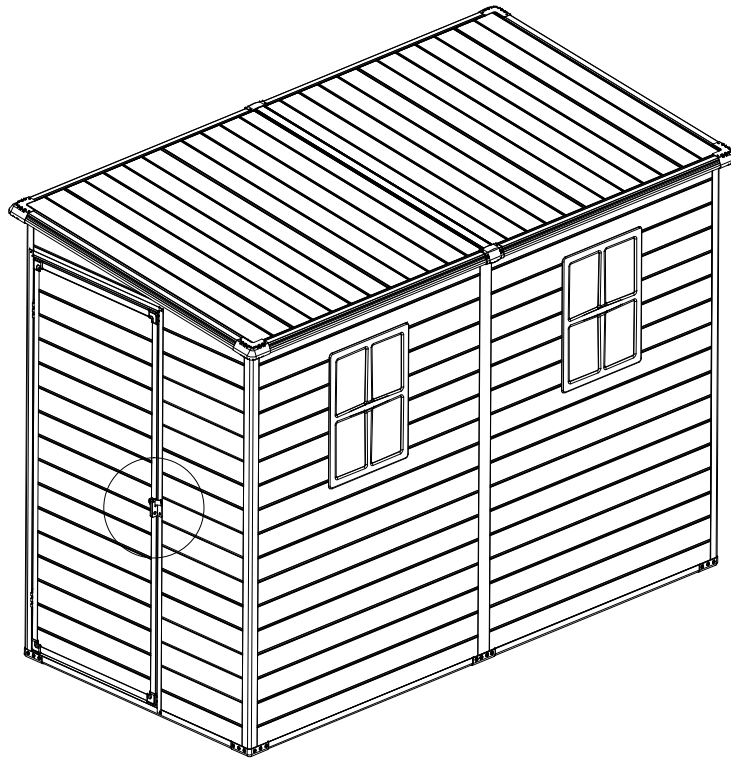


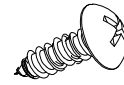


F35-D02 x1



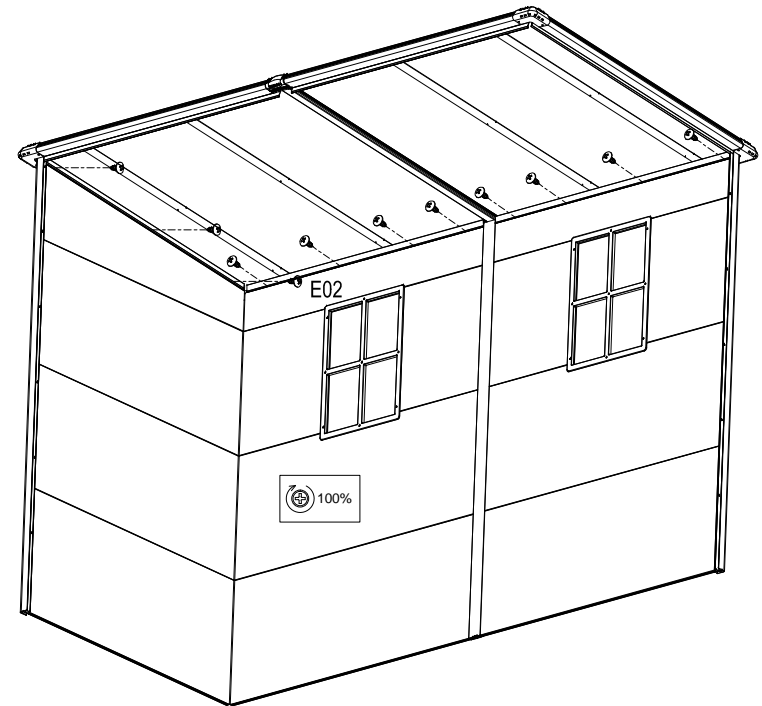
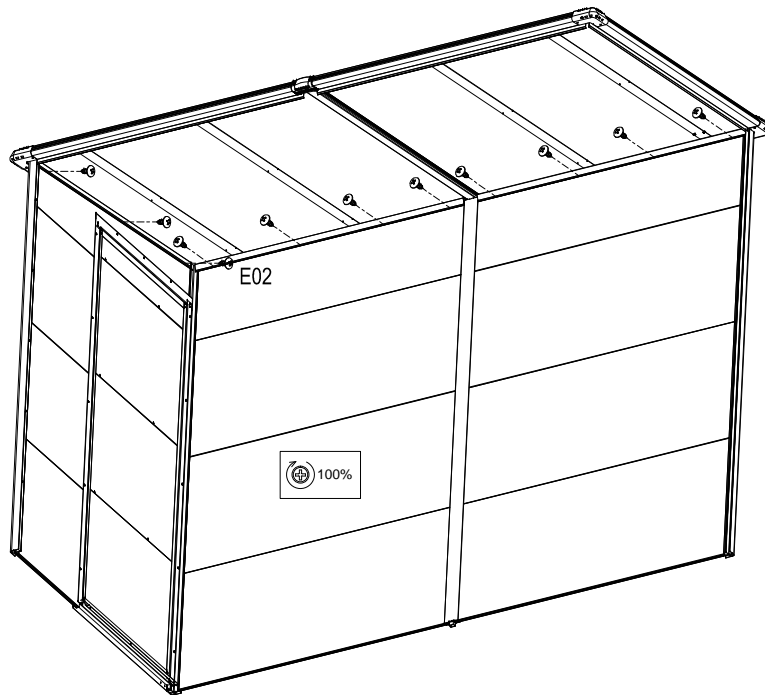
(ST4.2x12)  
E01x4

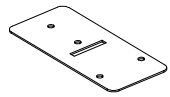




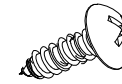
(ST4.2x12)  
E02x22

## Internal Side View

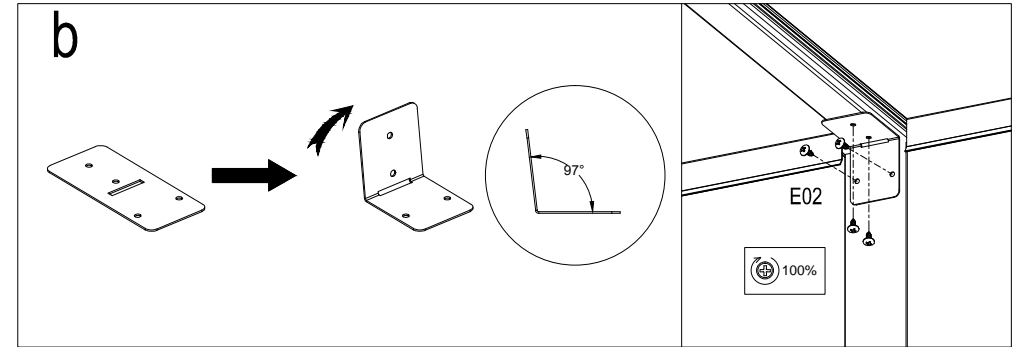
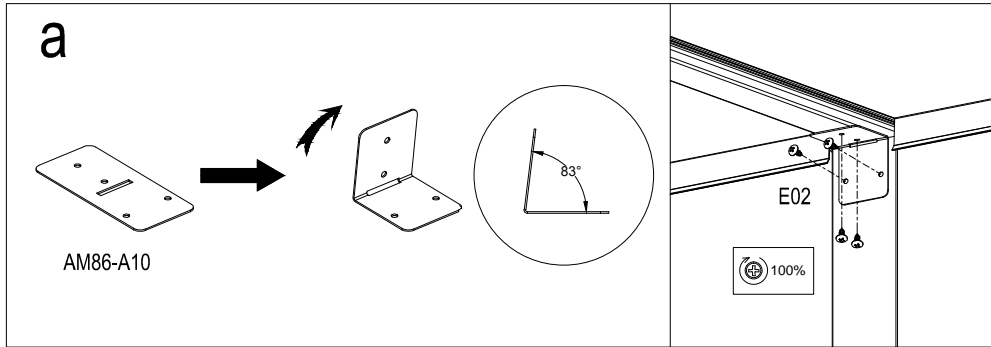




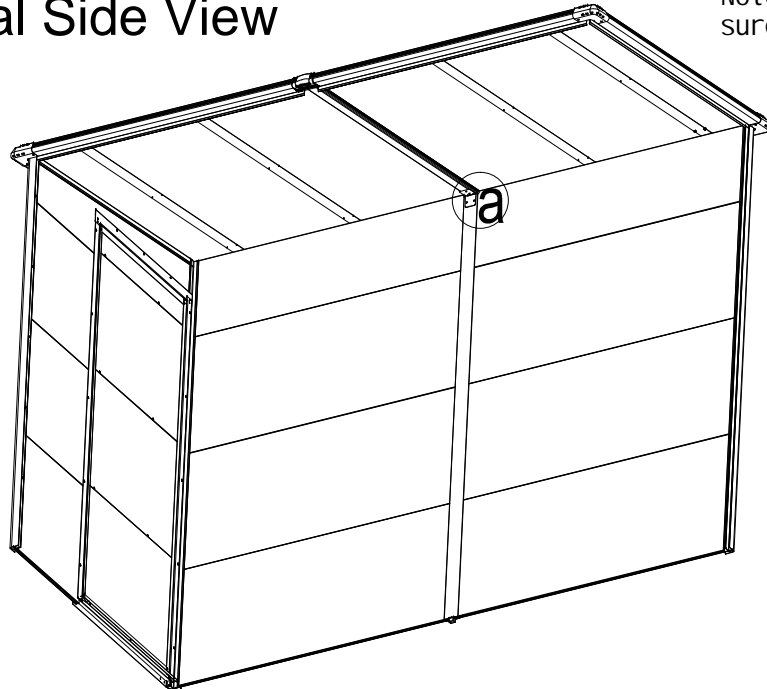
AM86-A10 x2



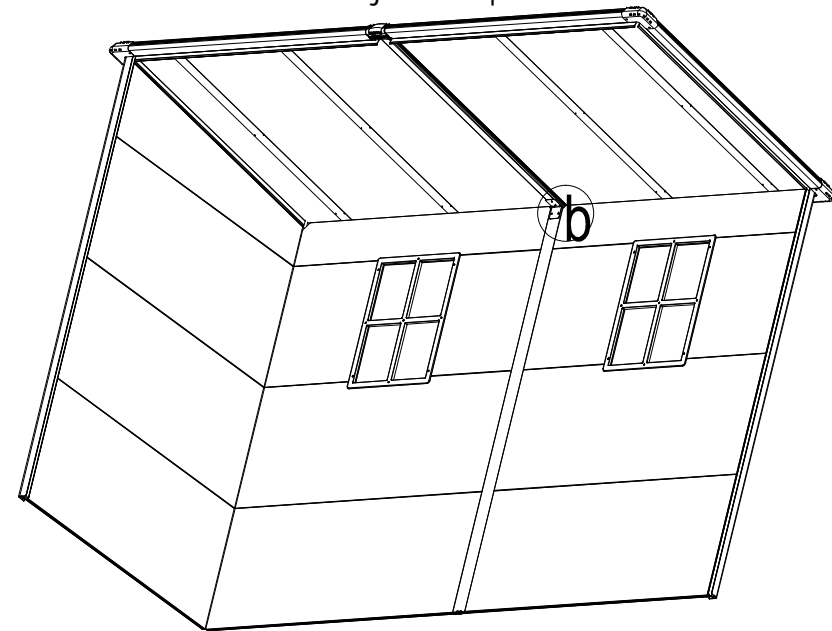
(ST4.2x12)  
E02x8

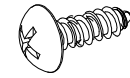


## Internal Side View



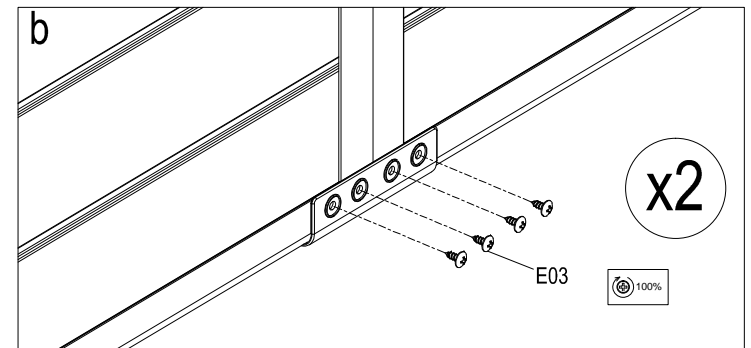
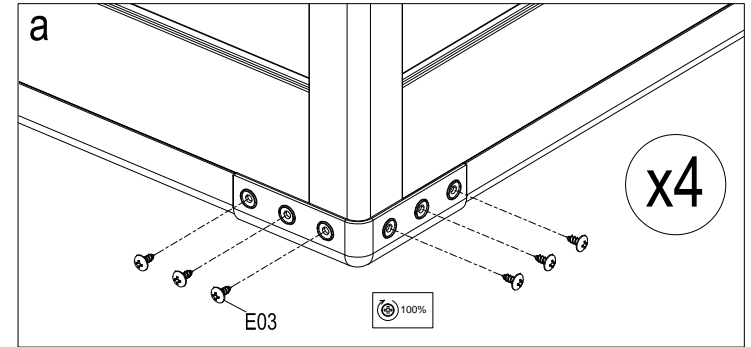
Note: When installing the AM86-A10, please look outside the shed to make sure the outside connector A64-C31 is jacked up.

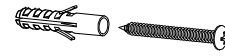




(ST4.8x19)  
E03x32

External View





E04x6

Internal View

