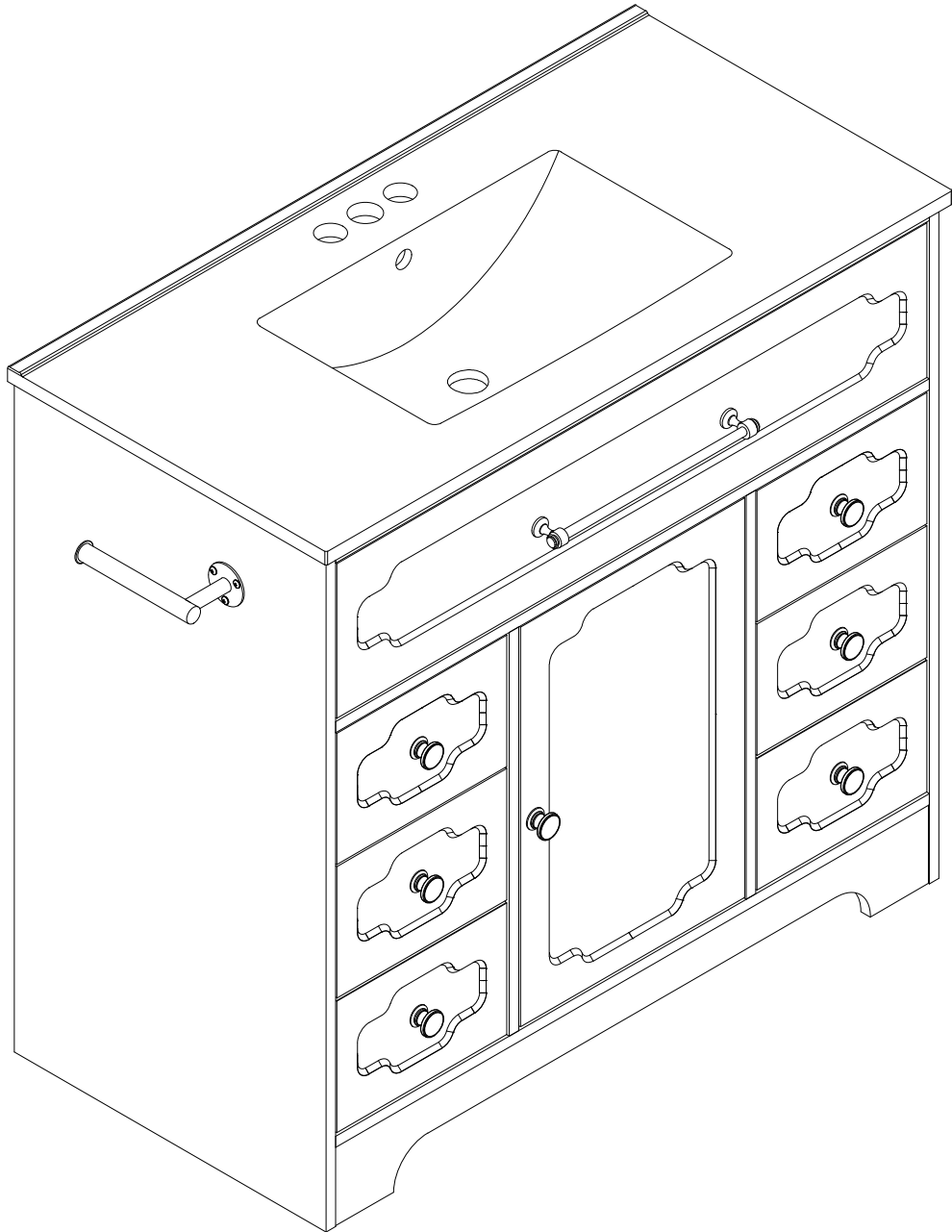


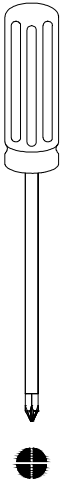
ASSEMBLY INSTRUCTIONS

PF030
V-CB25-1294-36

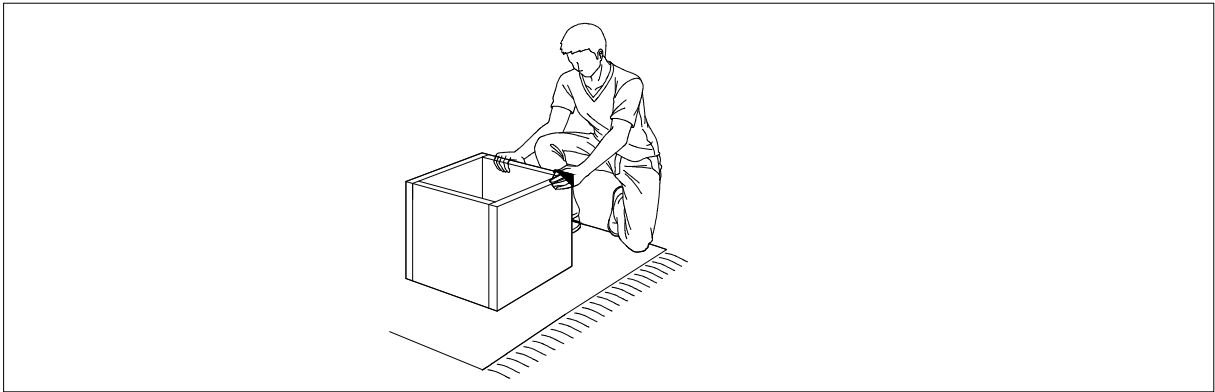
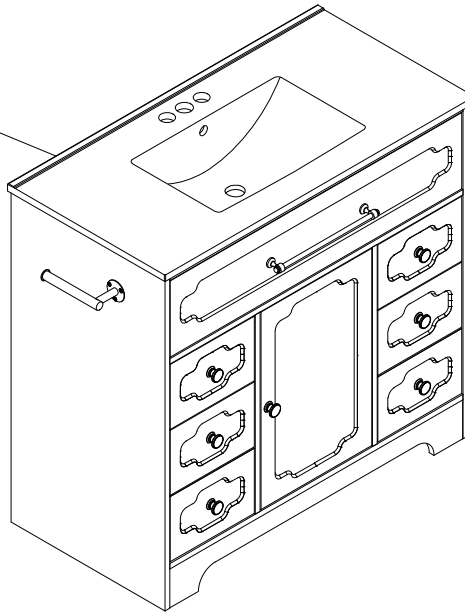


WARNING!

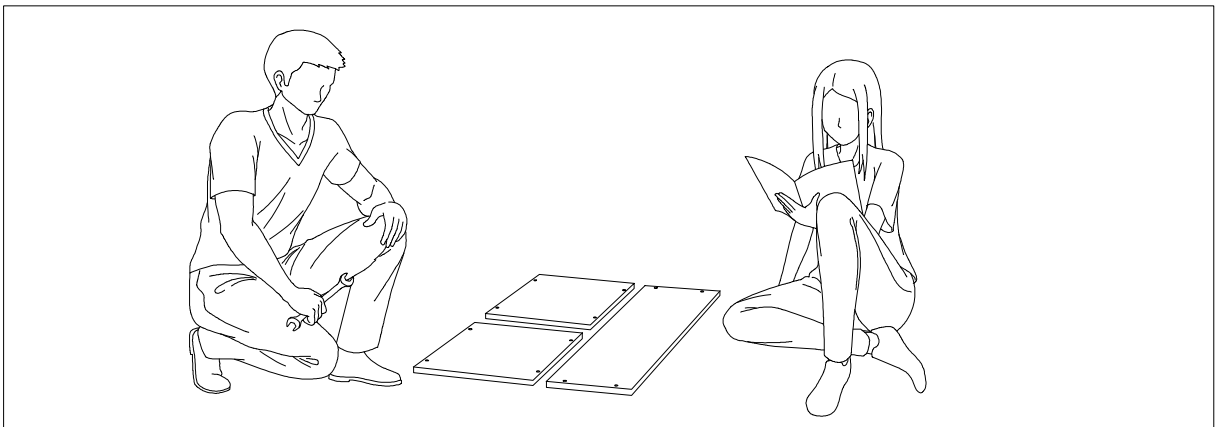
PF030



MAXIMUM LOAD
220 lb/100kg



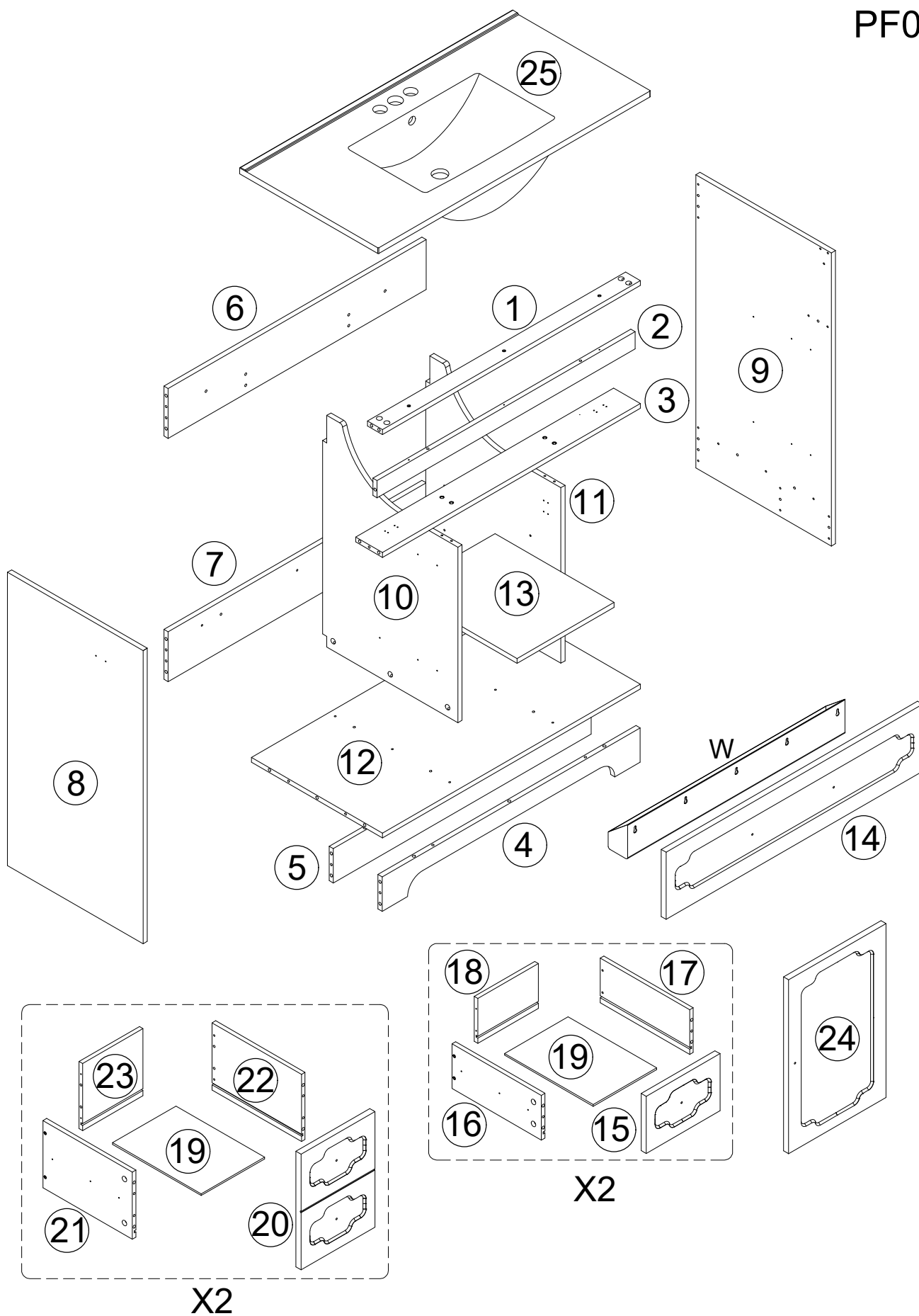
Assemble the furniture on empty carton, carpet, or rug to prevent scratches or damage.



**This furniture requires 2 people to assembly.
Make sure no parts are missing or damaged before assembly.**

PACKAGE CONTENT

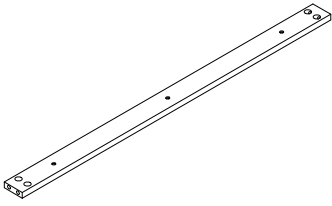
PF030



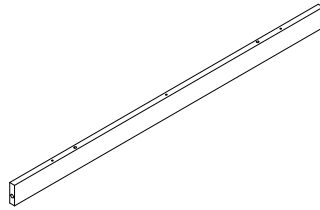
BOARD IDENTIFICATION

Not actual size

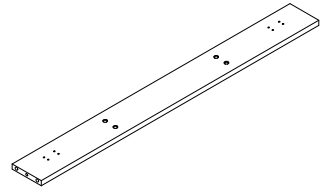
PF030



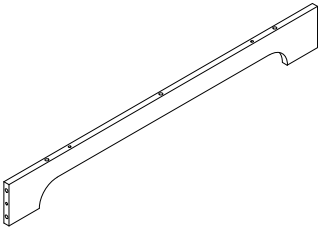
① X1



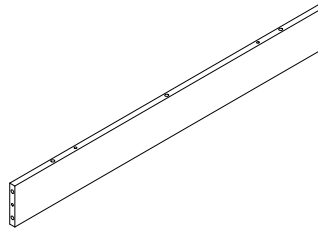
② X1



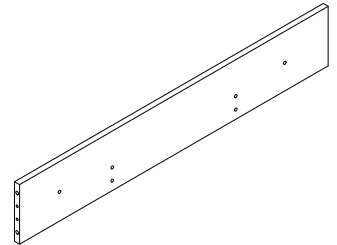
③ X1



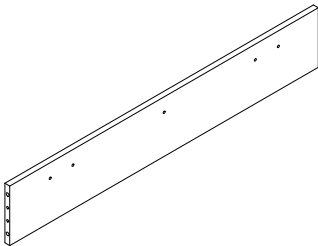
④ X1



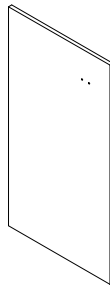
⑤ X1



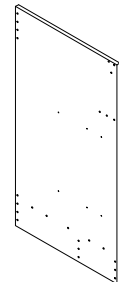
⑥ X1



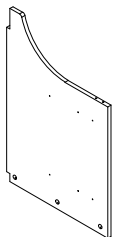
⑦ X1



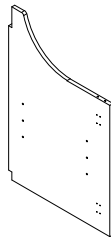
⑧ X1



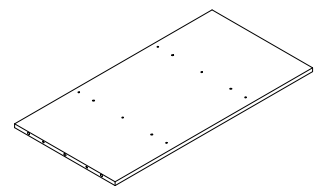
⑨ X1



⑩ X1



⑪ X1

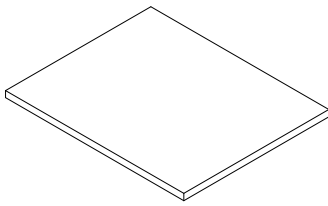


⑫ X1

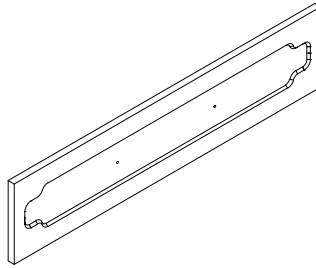
BOARD IDENTIFICATION

Not actual size

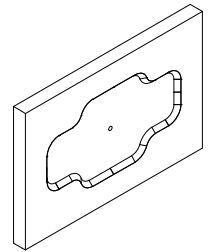
PF030



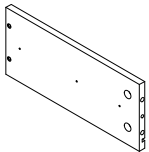
⑬X1



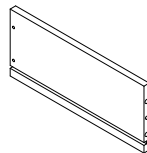
⑭X1



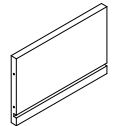
⑮X2



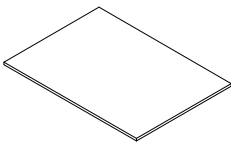
⑯X2



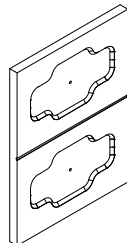
⑰X2



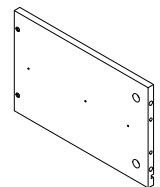
⑱X2



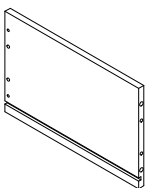
⑲X4



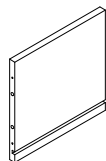
⑳X2



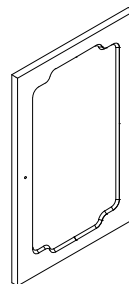
㉑X2



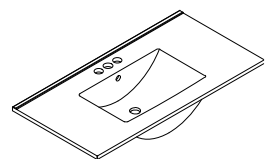
㉒X2



㉓X2





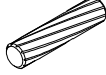
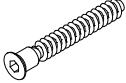
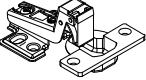
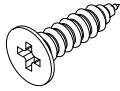
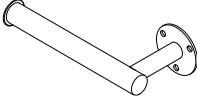
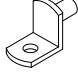


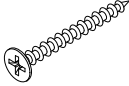

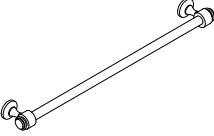

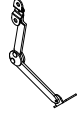
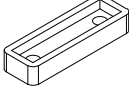
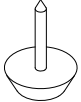
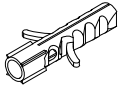
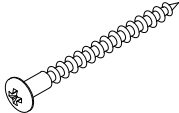
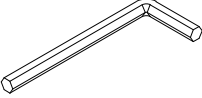
㉔X1



㉕X1

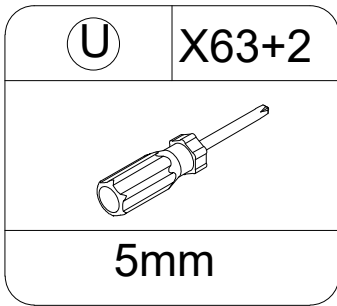
HARDWARE PART LIST

PF030

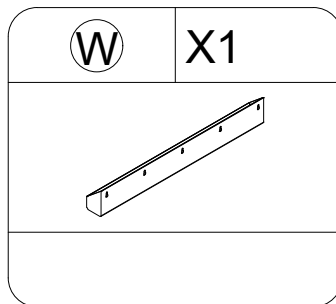
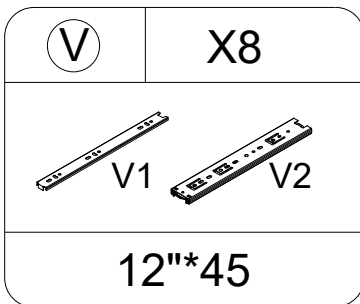
<p>(A) X63+2</p>  <p>Ø6x34</p>	<p>(B) X63+2</p>  <p>Ø15x9.5</p>	<p>(C) X50+2</p>  <p>Ø6x30</p>	<p>(D) X8</p>  <p>Ø6x40</p>
<p>(E) X4</p>  <p>Ø35</p>	<p>(F) X24+1</p>  <p>Ø8x15</p>	<p>(G) X1</p> 	<p>(H) X4</p> 
<p>(I) X24+1</p>  <p>Ø4x10</p>	<p>(J) X38+1</p>  <p>Ø4x12</p>	<p>(K) X19</p>  <p>Ø8x35</p>	<p>(L) X7</p> 
<p>(M) X1</p> 	<p>(N) X9</p>  <p>Ø5/32"x14</p>	<p>(O) X1</p> 	<p>(P) X1</p> 
<p>(Q) X4</p>  <p>Ø13x4</p>	<p>(R) X2</p>  <p>Ø8x40</p>	<p>(S) X2</p>  <p>Ø5x55</p>	<p>(T) X1</p>  <p>4mm</p>

HARDWARE PART LIST

PF030

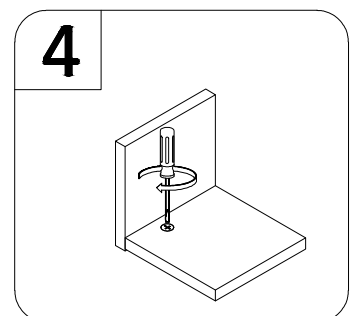
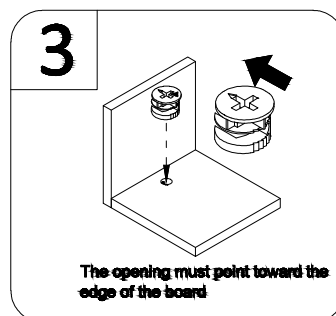
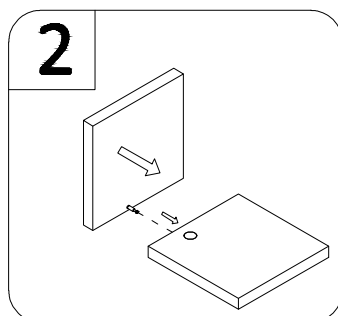
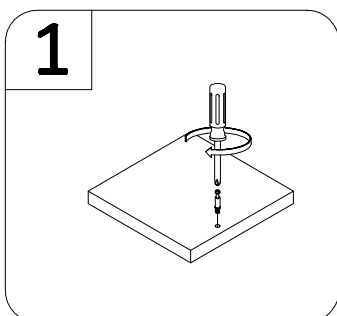


Accessories



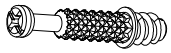
Cam Lock Fastening System

Insert the cam bolt into the hole first, then insert the cam lock and lock it.



STEP 1

PF030

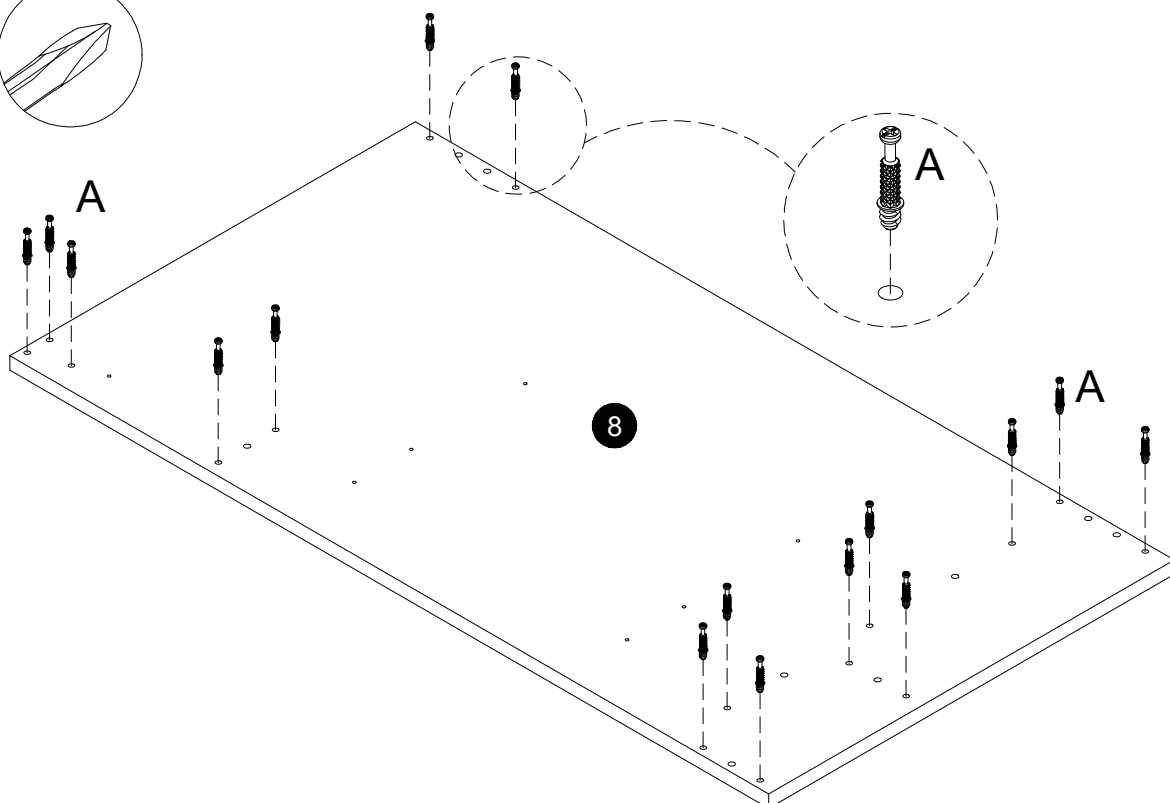
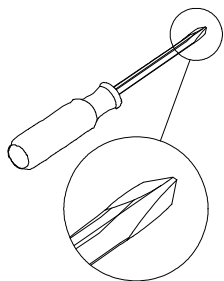
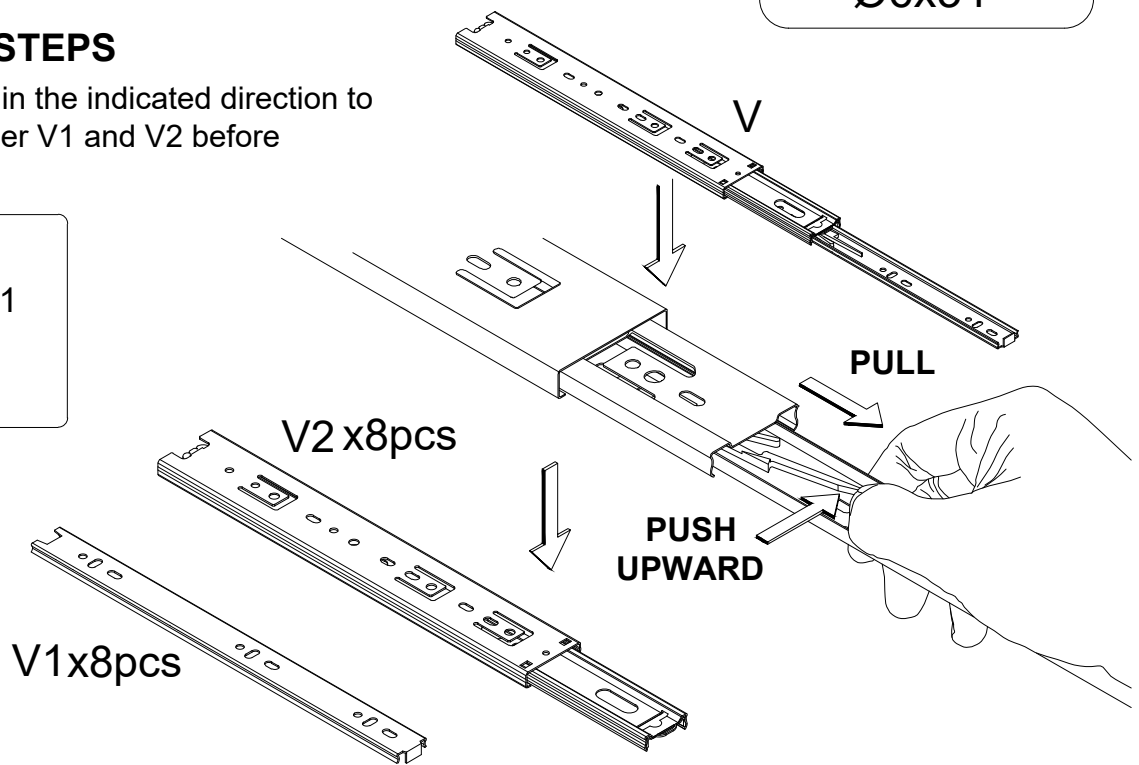
(A)	X16
	
Ø6x34	

INSTALLATION STEPS

Press the plastic part in the indicated direction to separate drawer runner V1 and V2 before assembling.

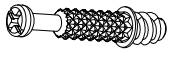
REMARK:


Please grip the V1 part while sliding the V2 part

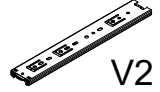


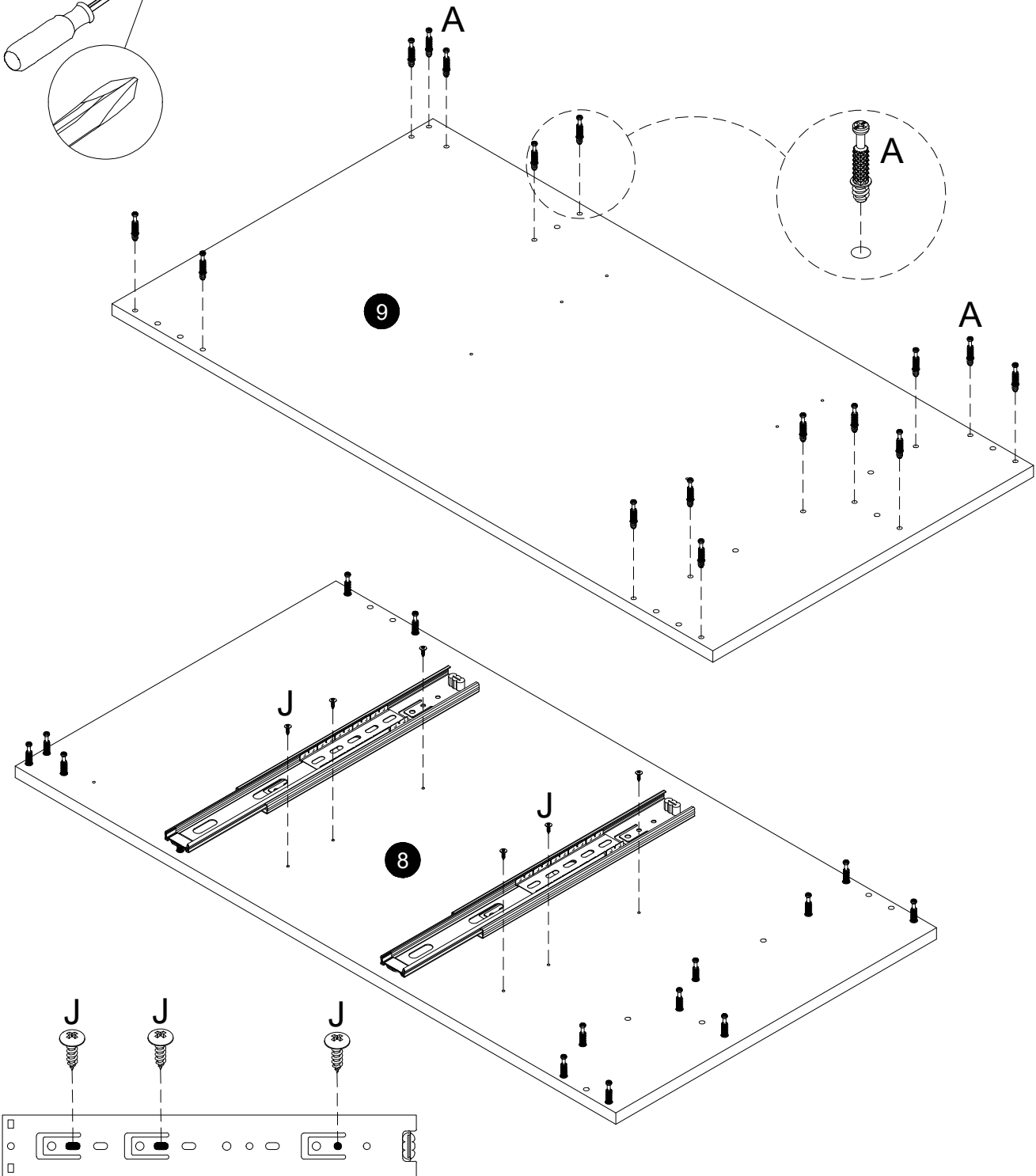
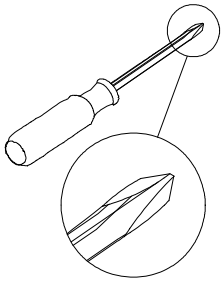
STEP 2

PF030

A	X16
	
Ø6x34	

J	X6
	
Ø4x12	

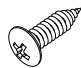
V	X2
	V2
12"*45	




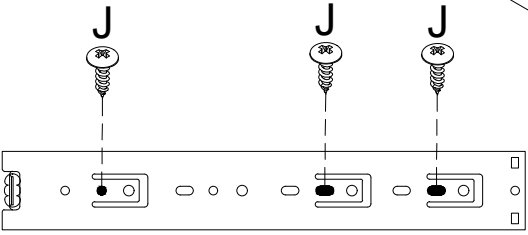
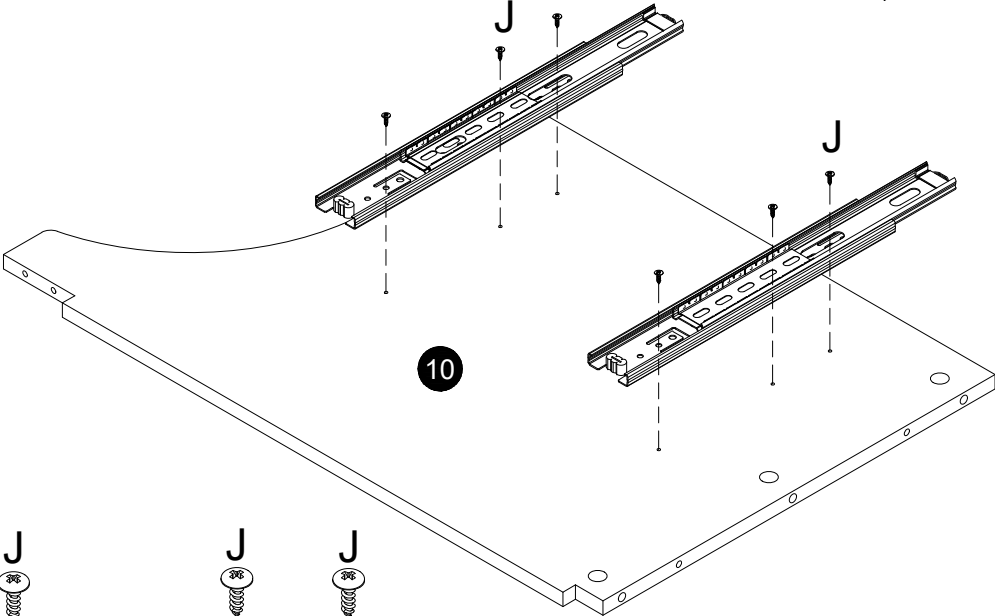
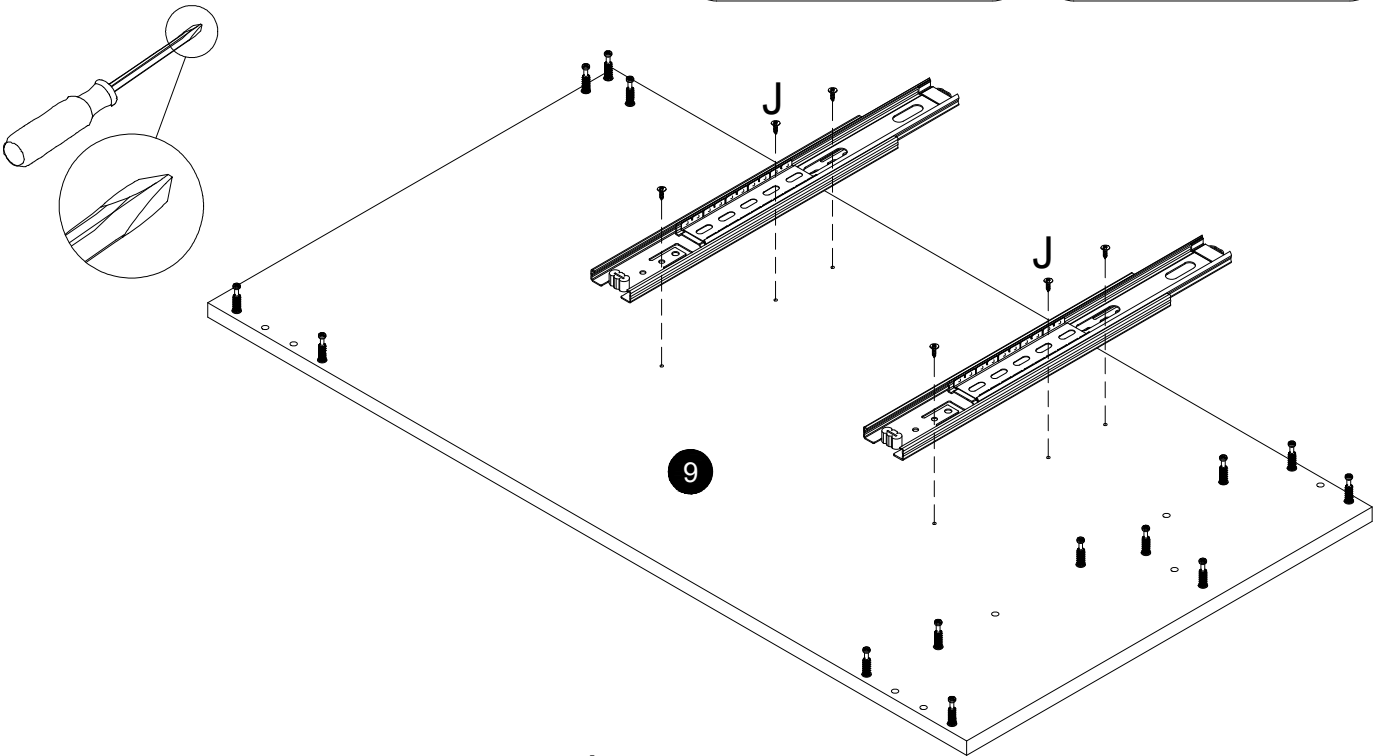
V2

STEP 3

PF030

ⓐ	X12
	
Ø4x12	


Ⓥ	X4
	V2
12"*45	

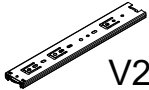


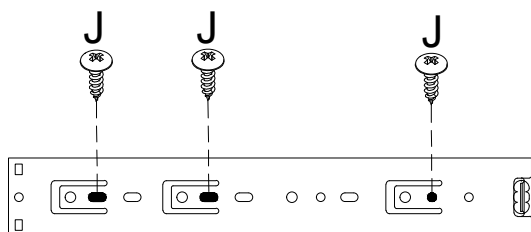
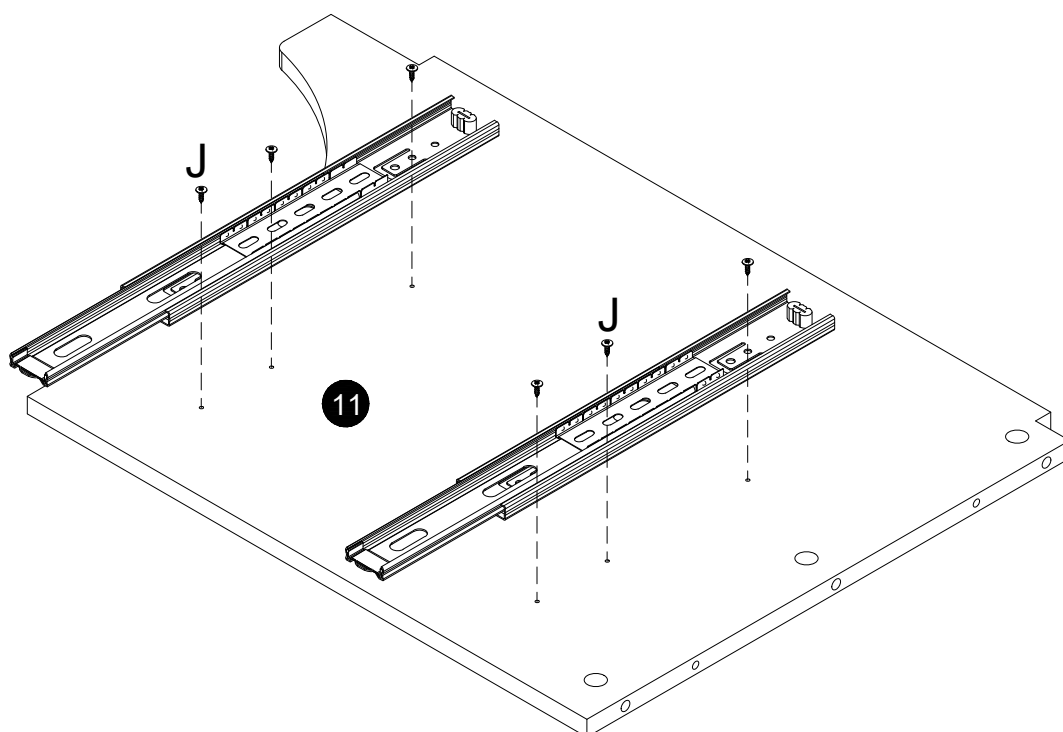
V2

STEP 4

PF030

ⓐ	X6
	
Ø4x12	

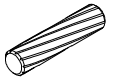
Ⓥ	X2
	
12"*45	




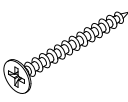
V₂

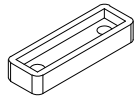
STEP 5

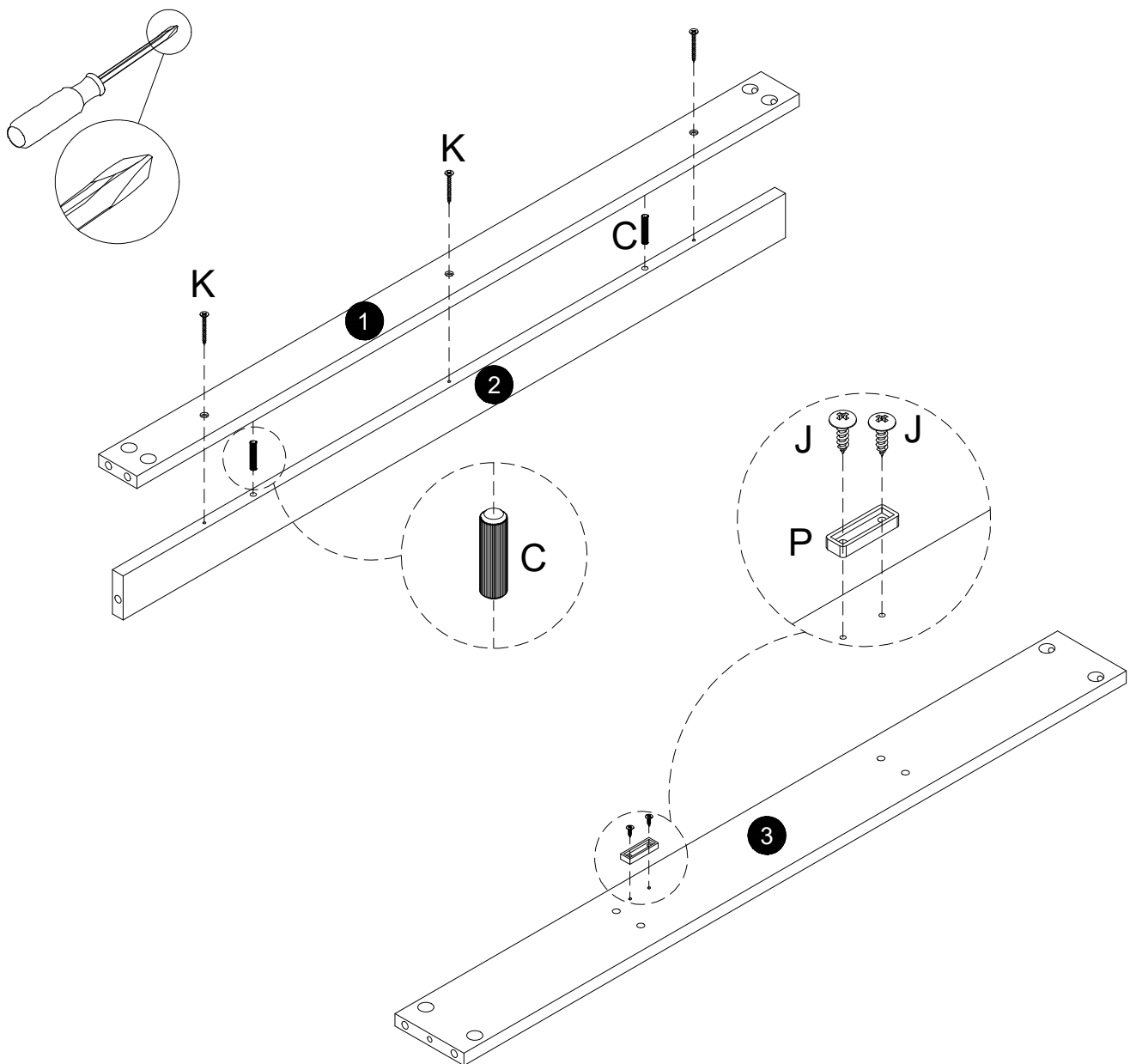
PF030

C	X2
	
$\text{Ø}6 \times 30$	

J	X2
	
$\text{Ø}4 \times 12$	

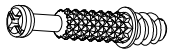
K	X3
	
$\text{Ø}8 \times 35$	

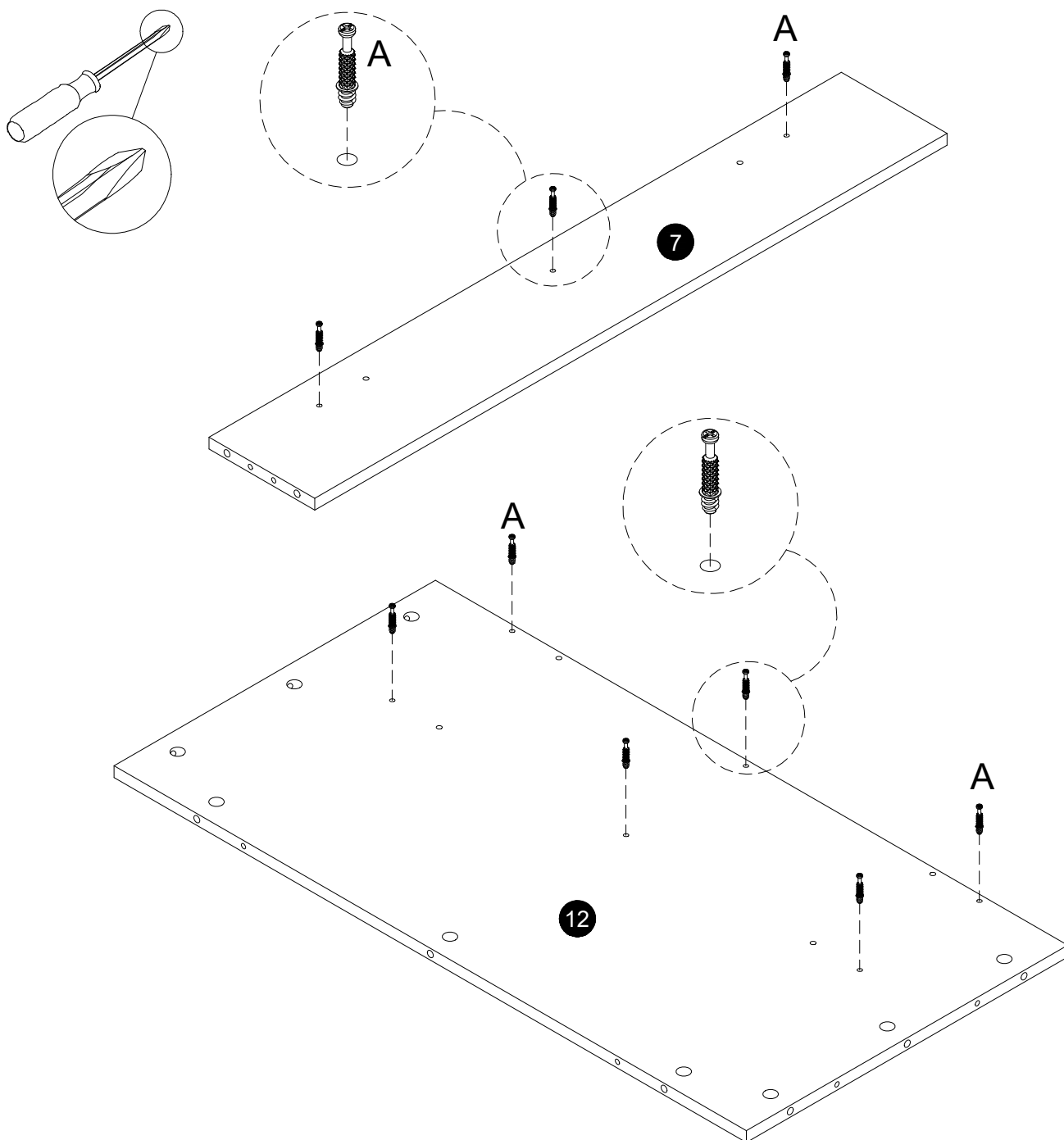
P	X1
	



STEP 6

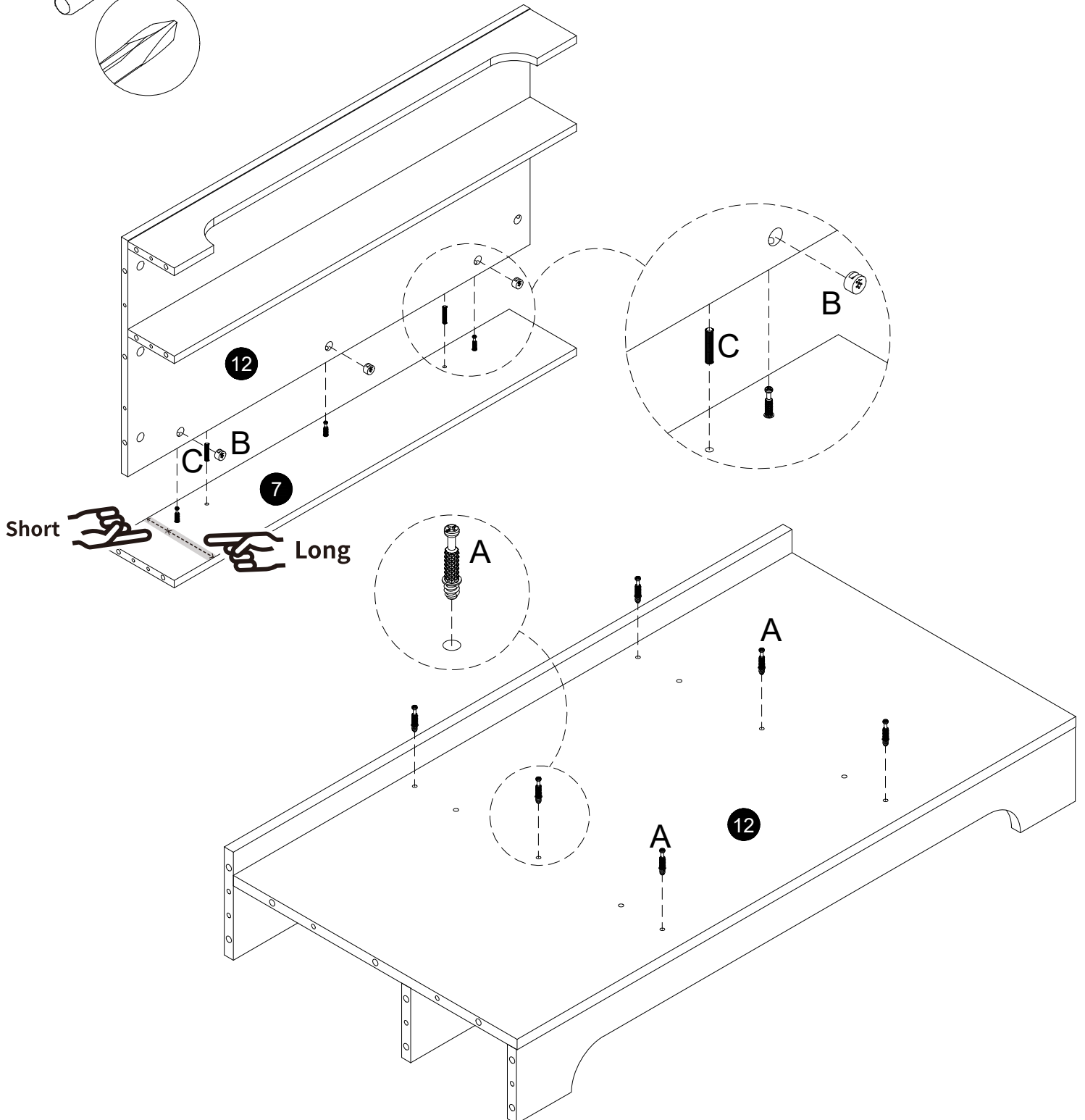
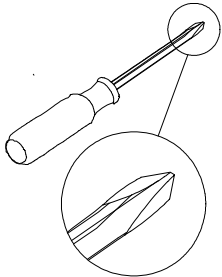
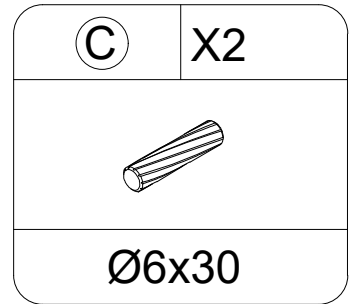
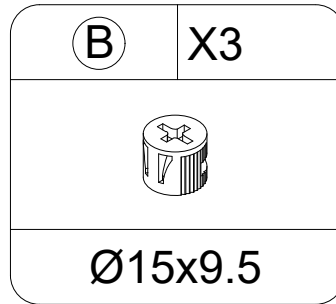
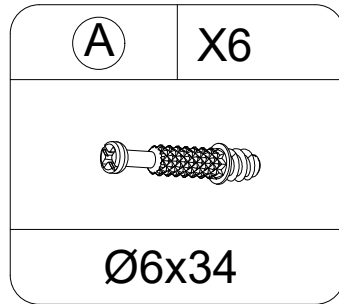
PF030

A	X9
	
Ø6x34	



STEP 8

PF030



STEP 9

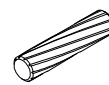
PF030

(B) X6

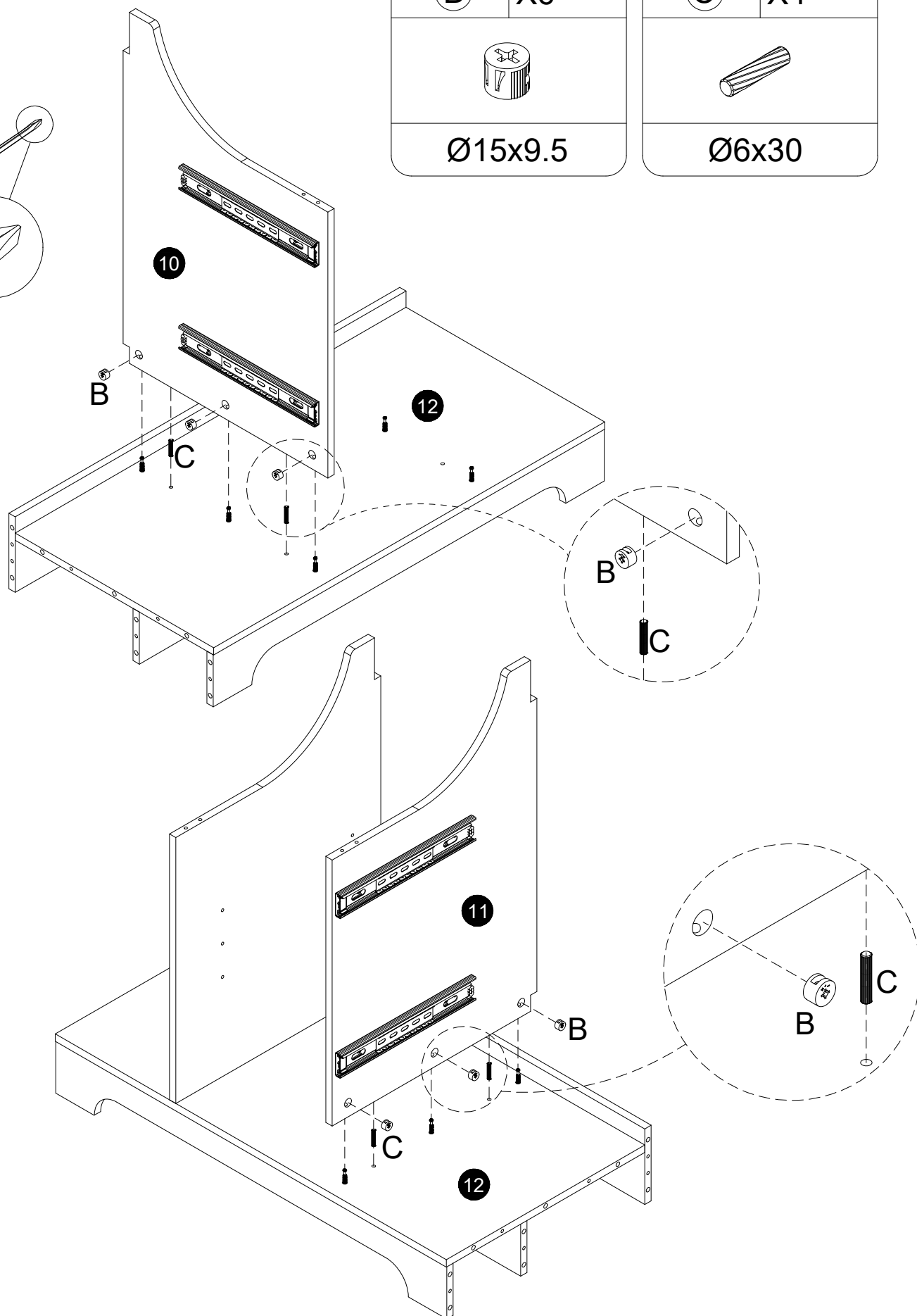
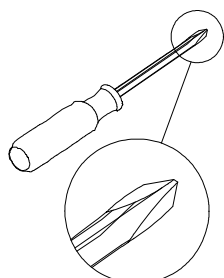


Ø15x9.5

(C) X4




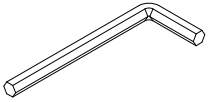
Ø6x30

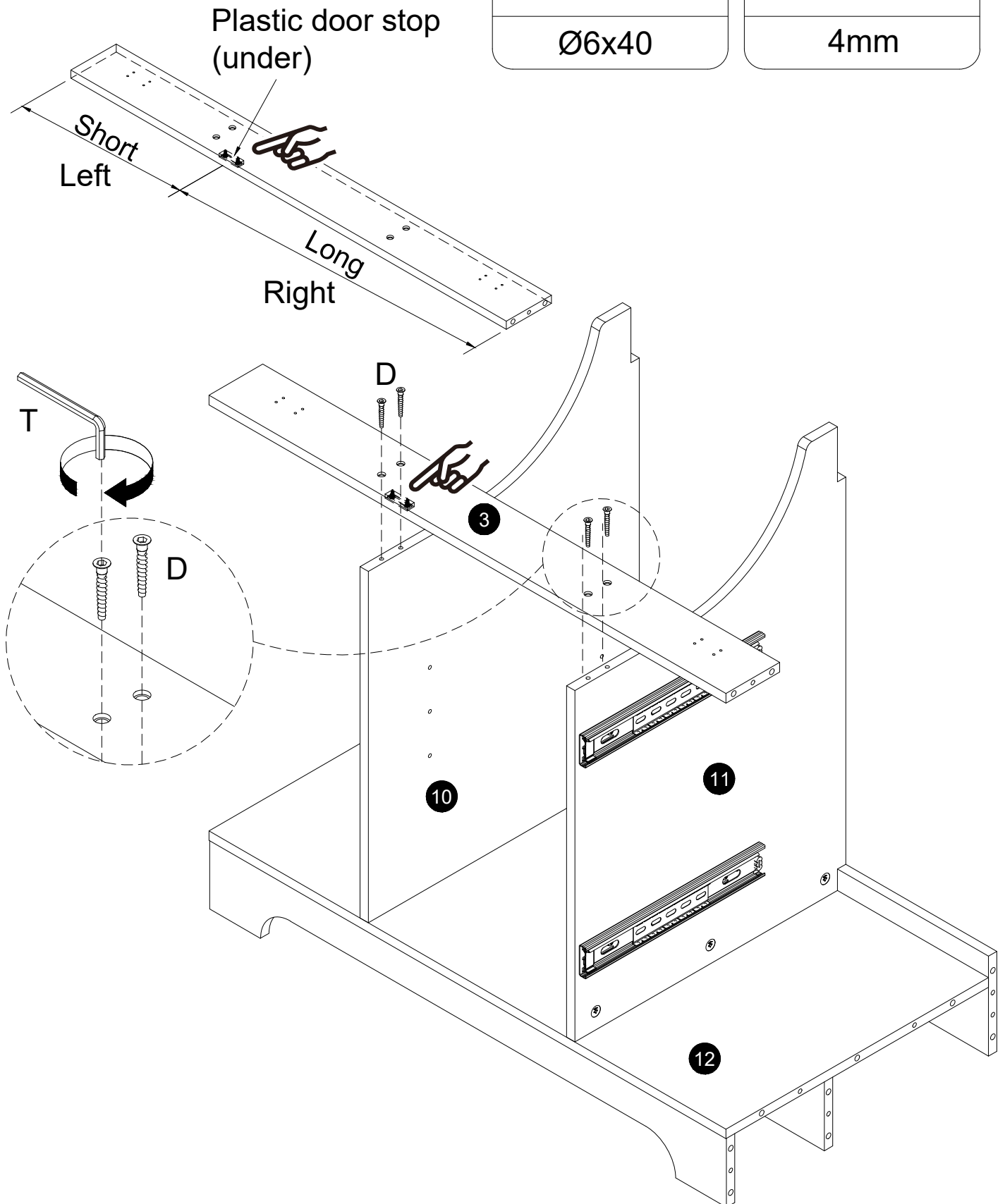


STEP 10

PF030

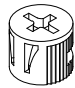
(D)	X4
	
Ø6x40	

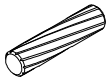
(T)	X1
	
4mm	

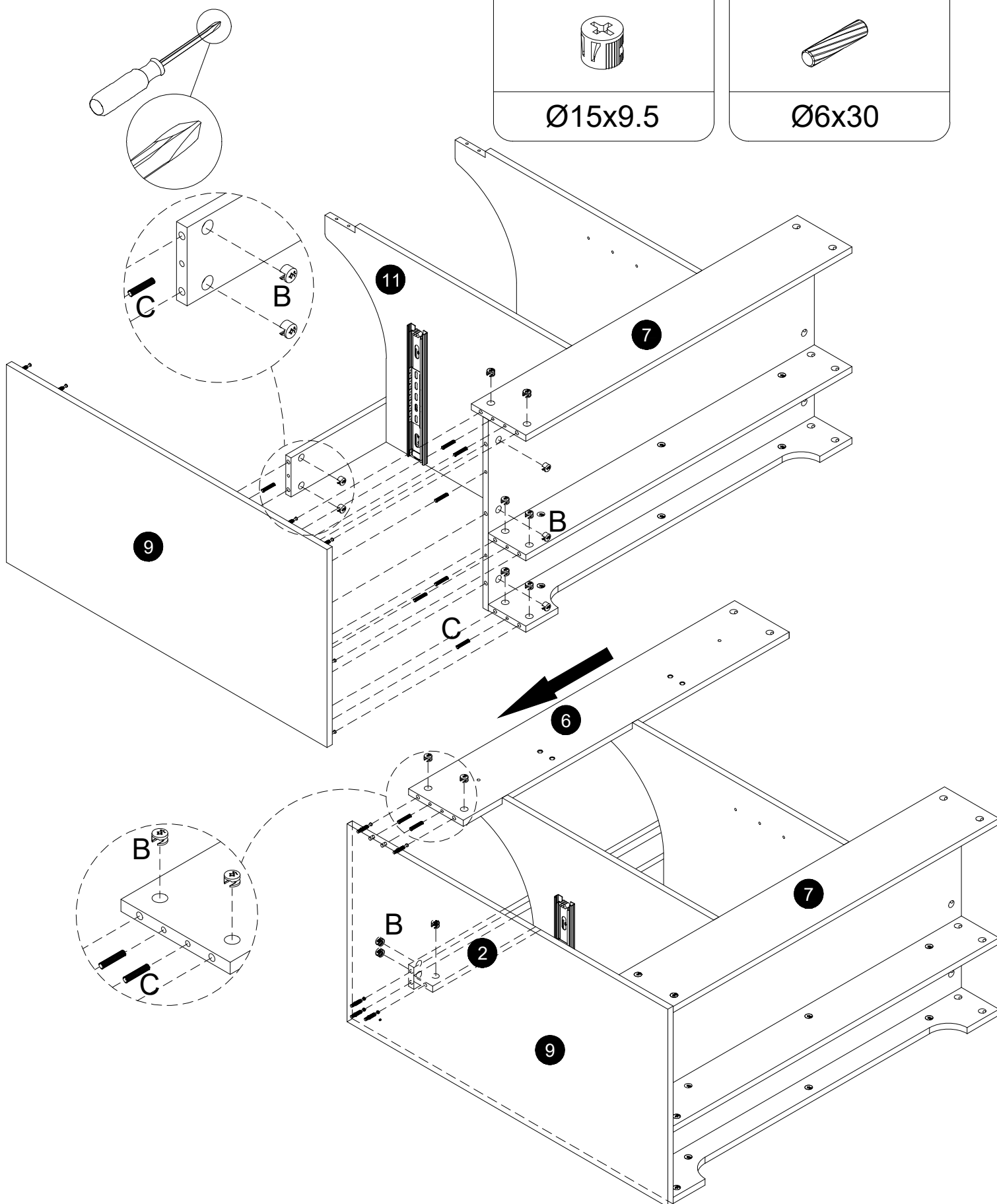


STEP 11

PF030

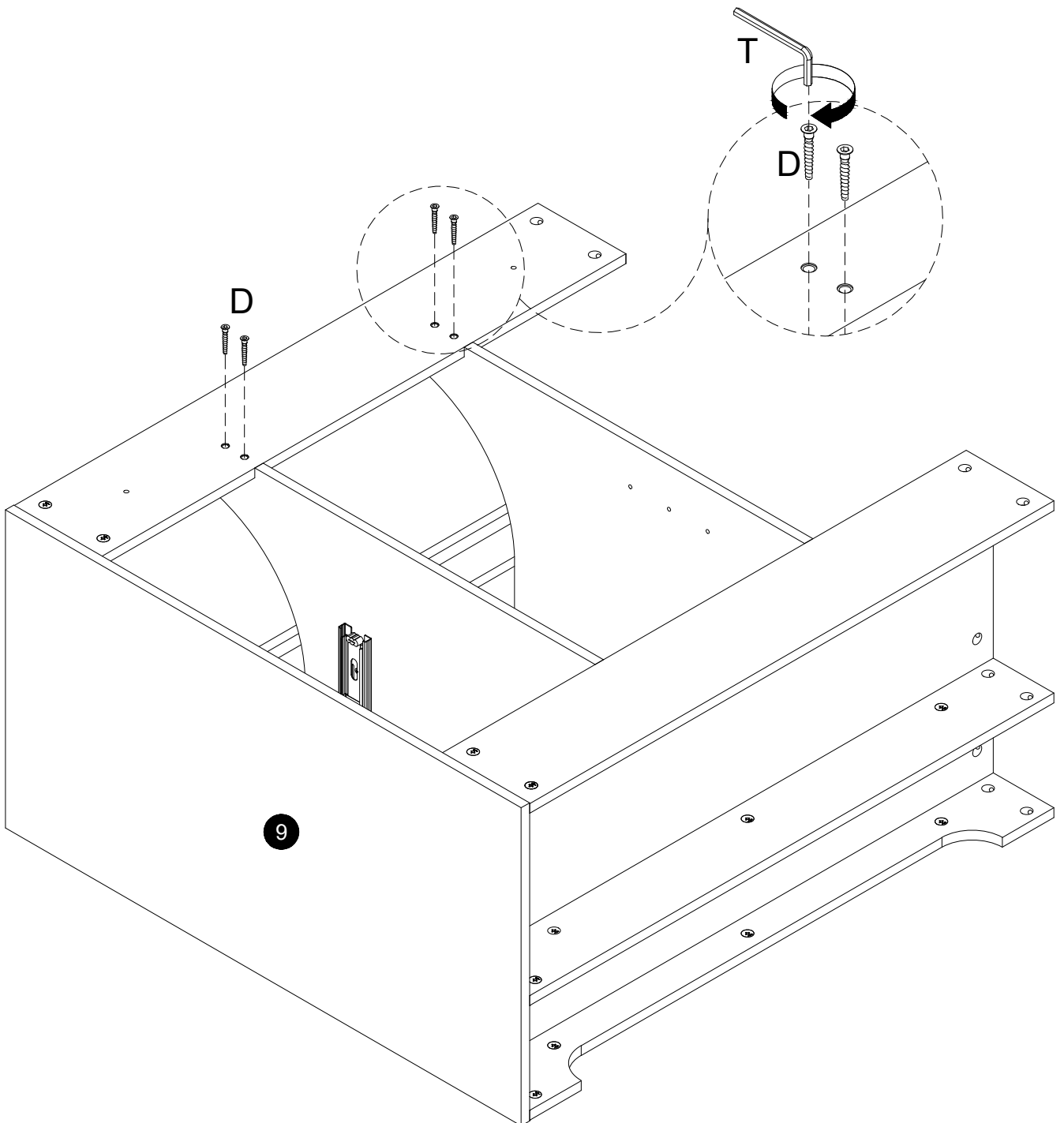
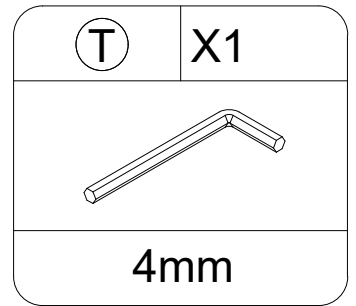
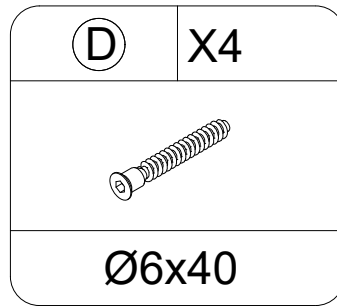
(B)	X16
	
Ø15x9.5	

(C)	X9
	
Ø6x30	



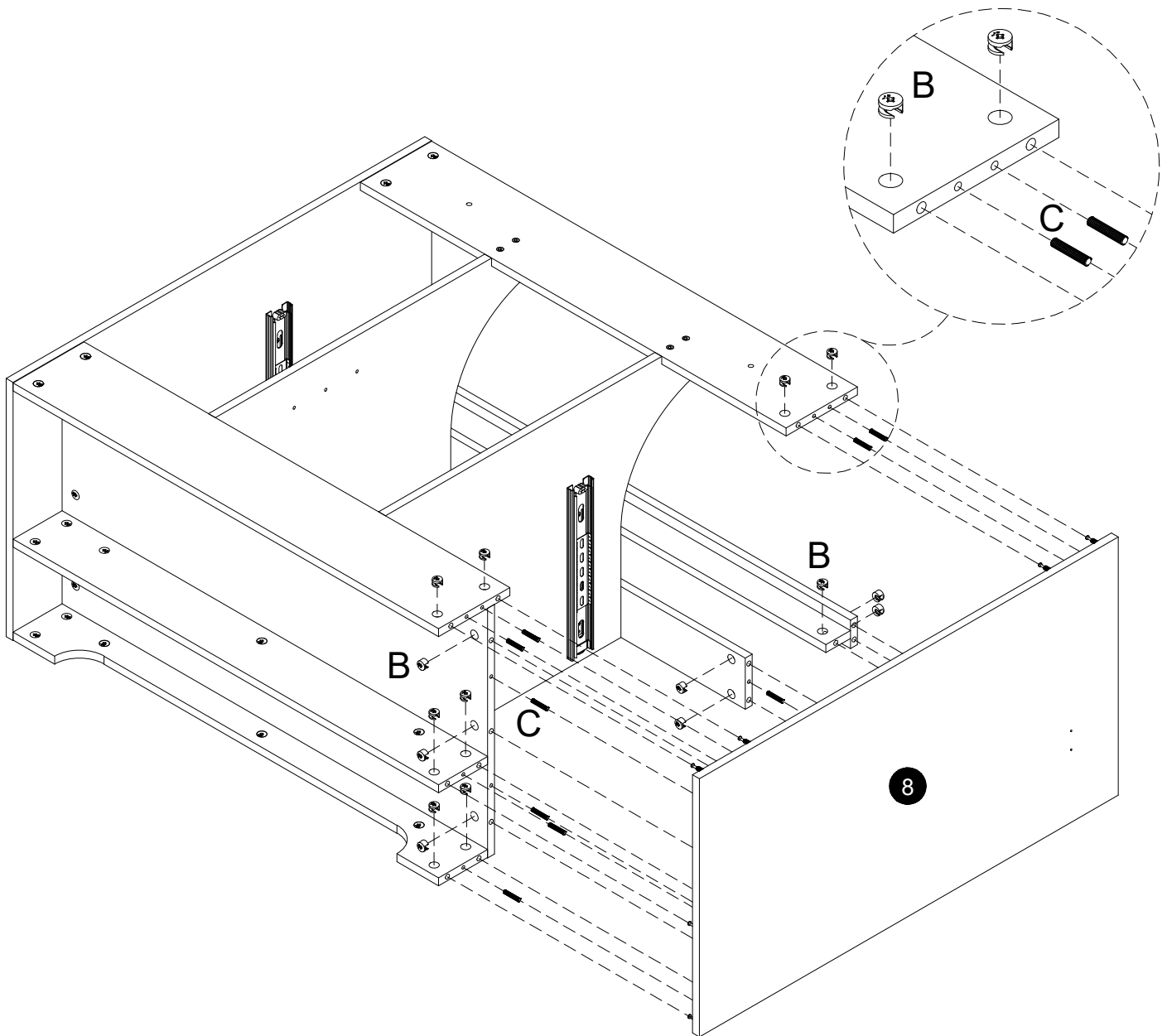
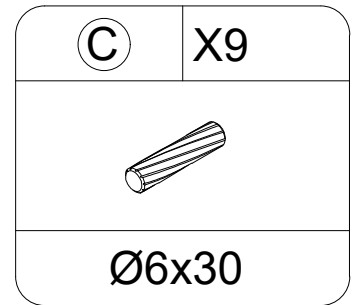
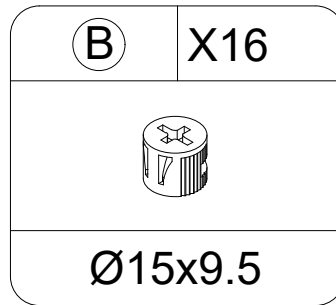
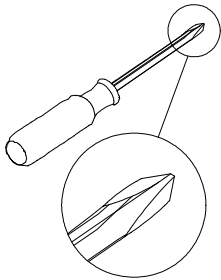
STEP 12

PF030



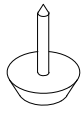
STEP 13

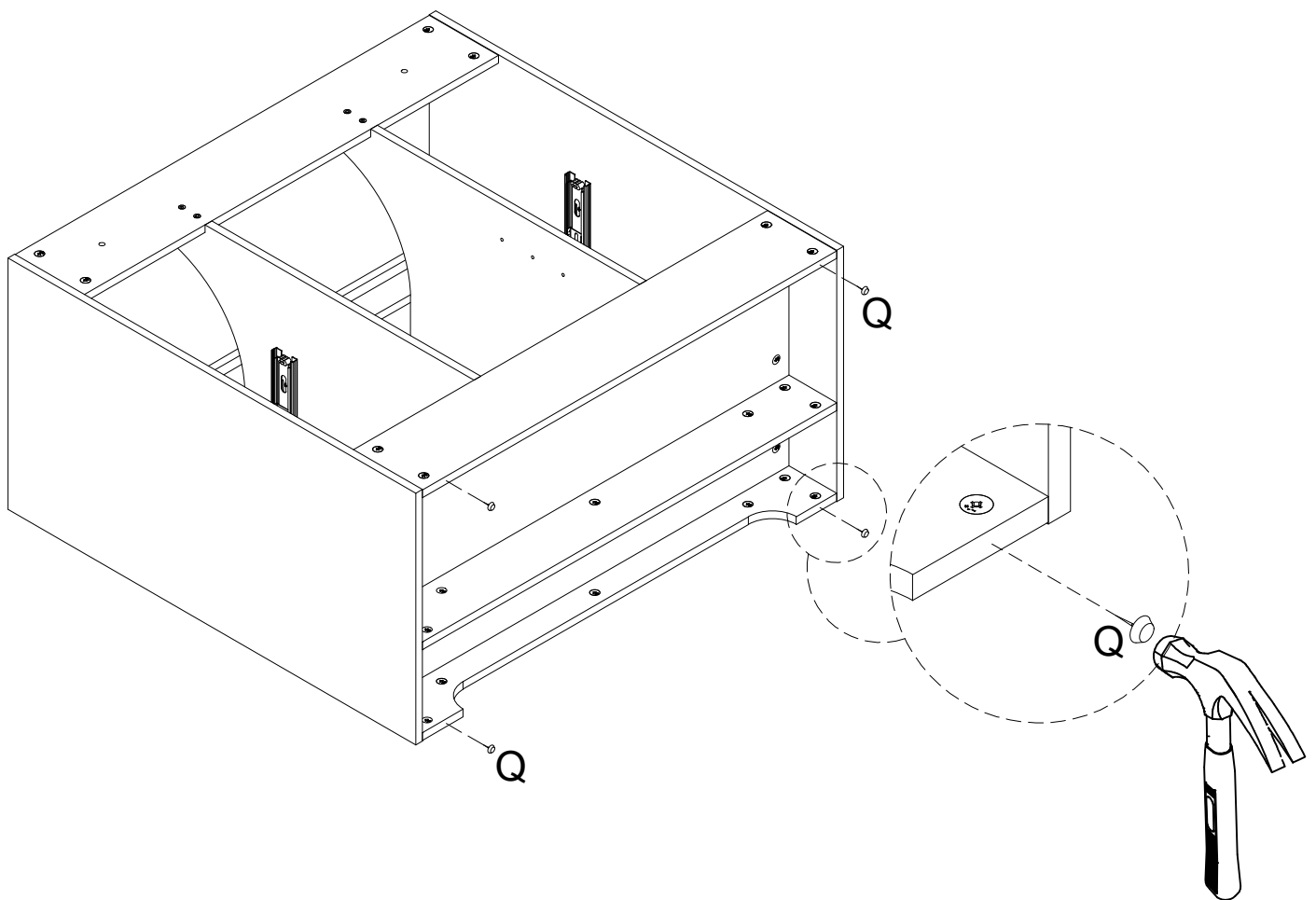
PF030



STEP 14

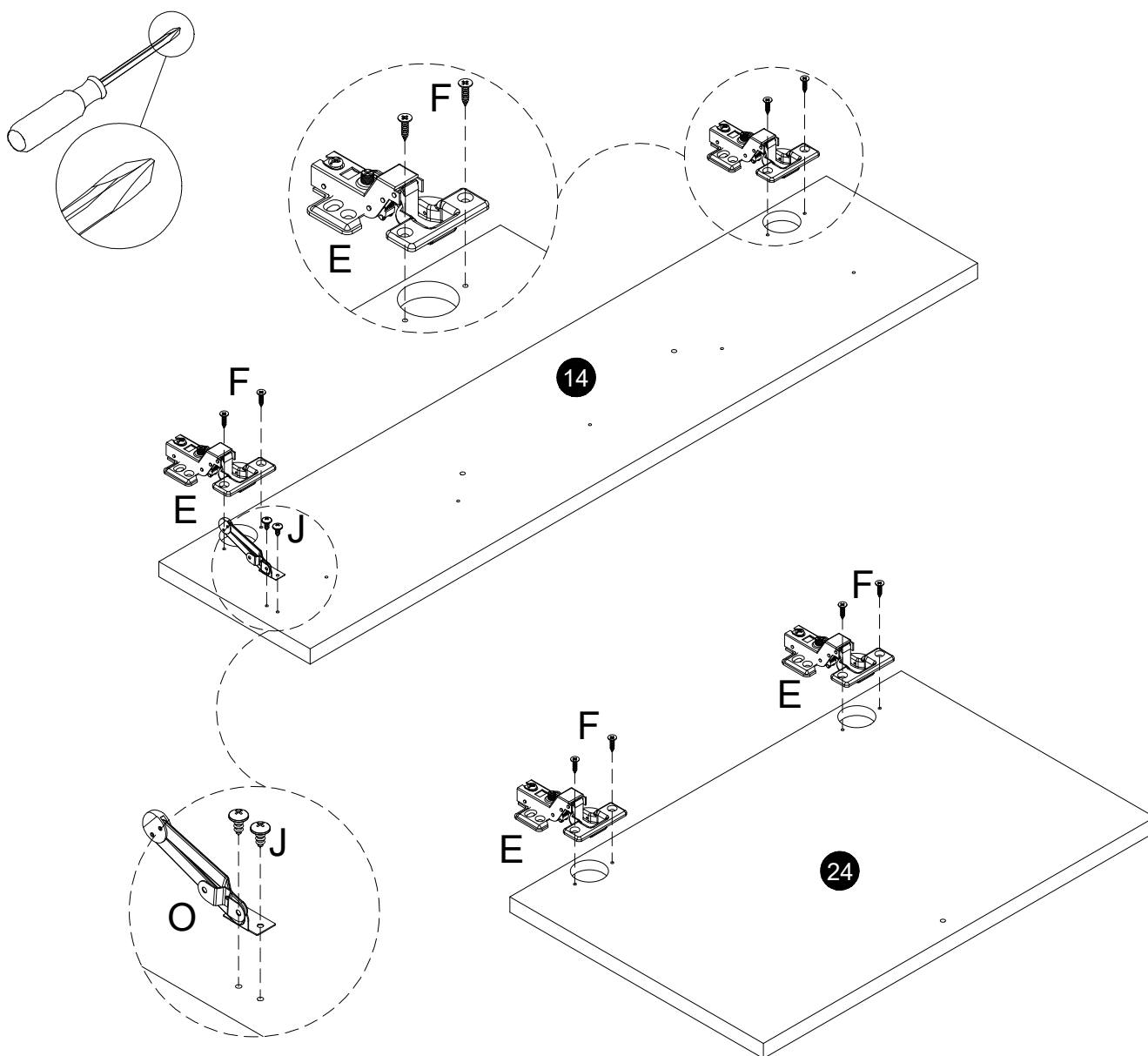
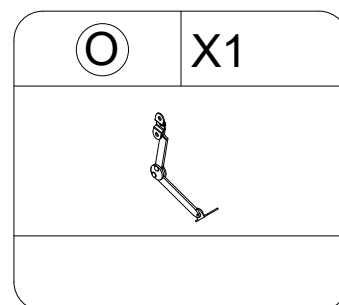
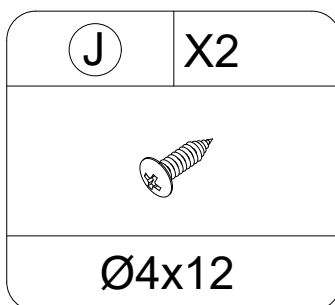
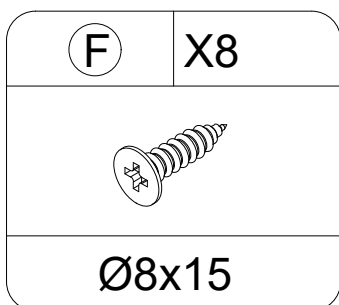
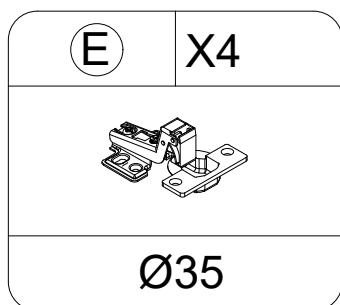
PF030

Q	X4
	
Ø13x4	



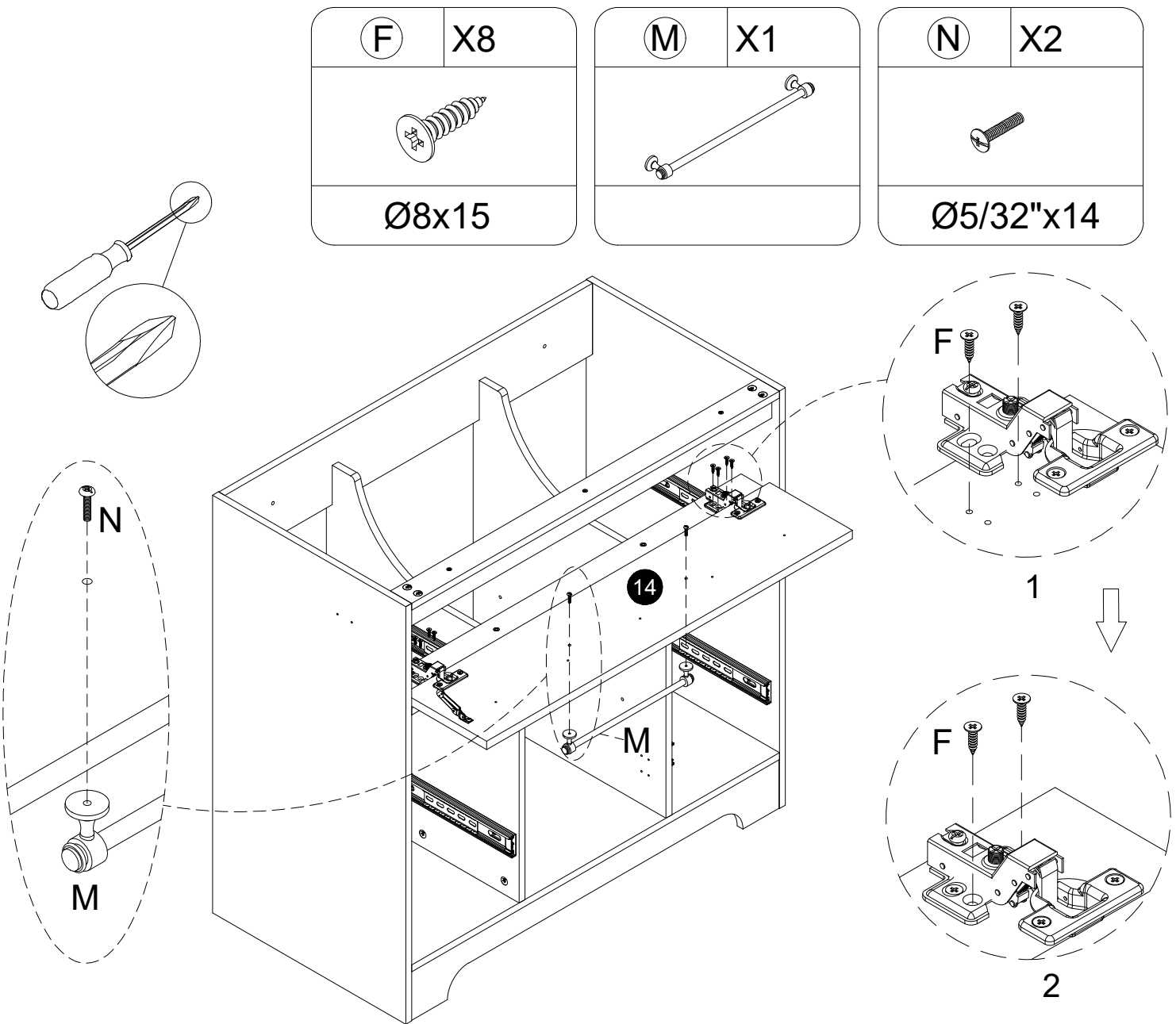
STEP 15

PF030

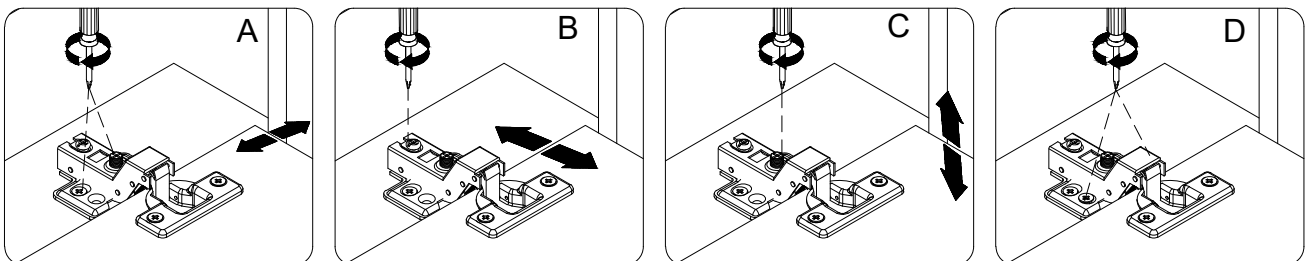


STEP 16

PF030



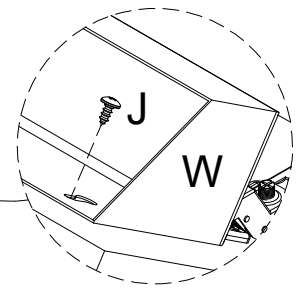
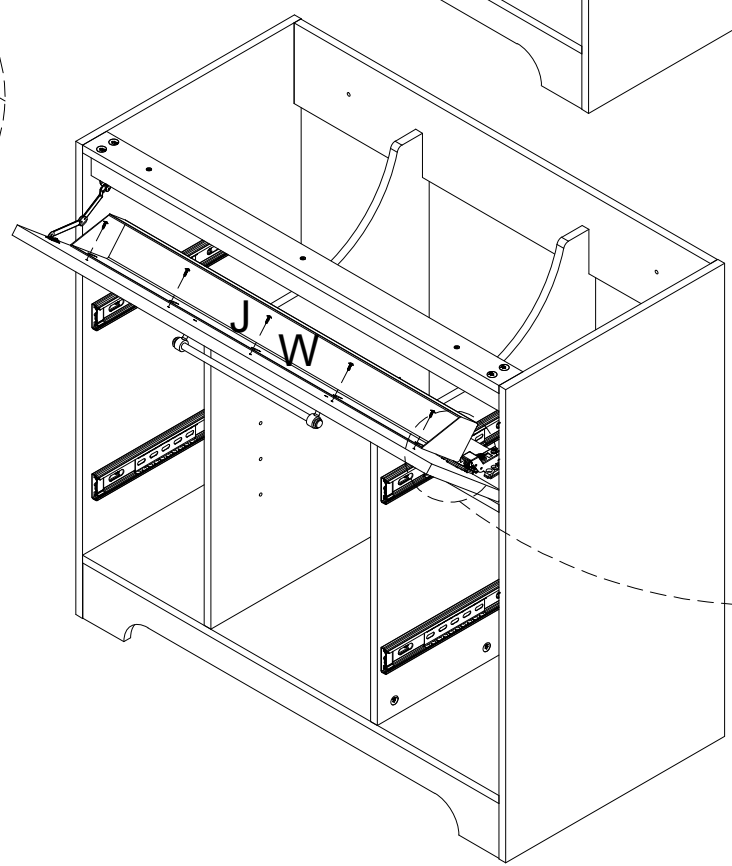
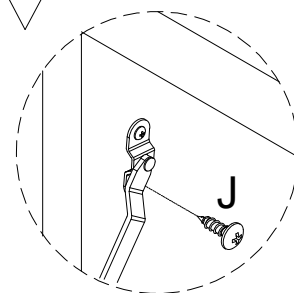
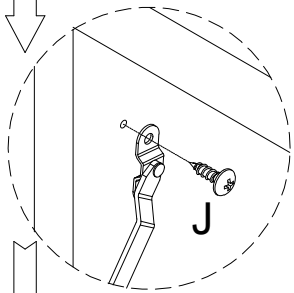
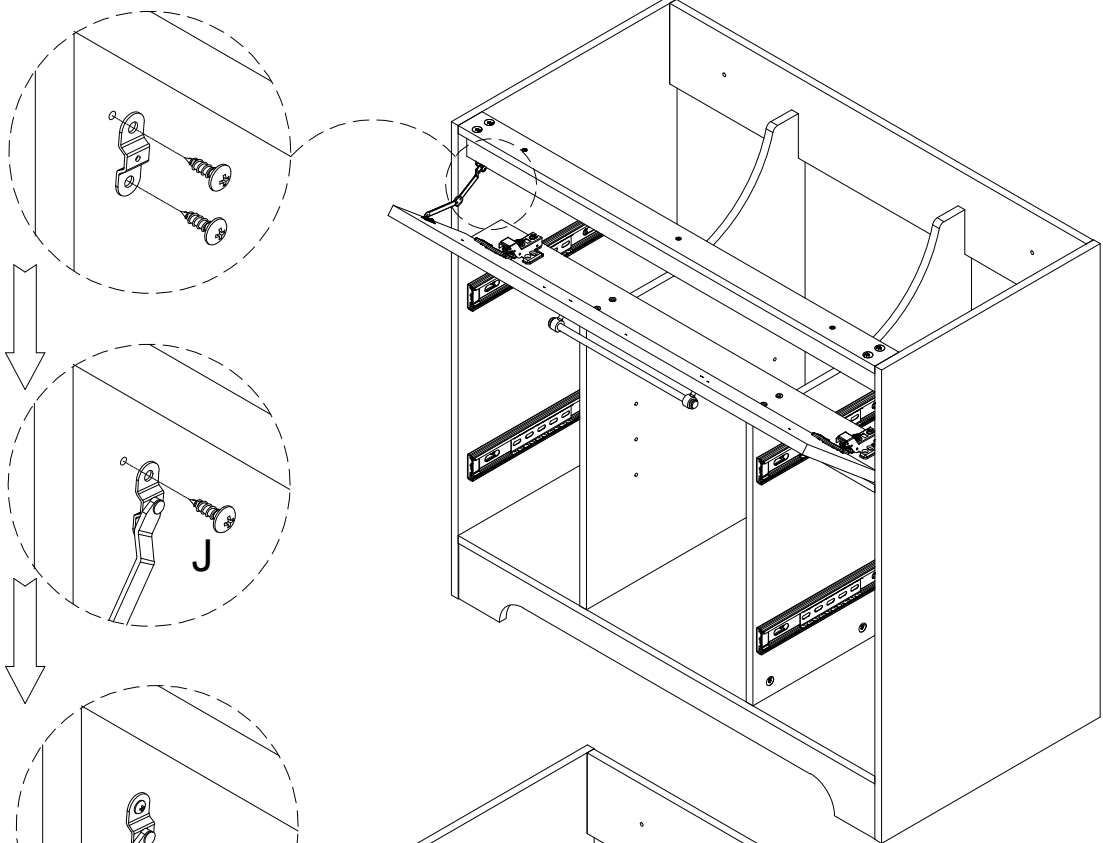
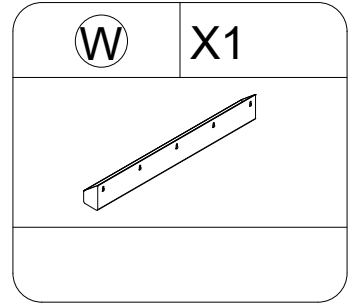
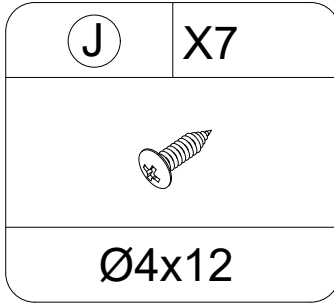
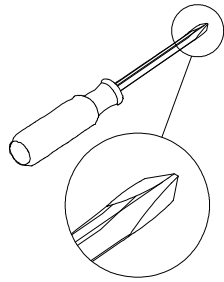
When the hinges are installed, you can refer to the pictures to adjust crevice of the doors till it's perfect



1. To adjust the doors up and down, please refer to step (A)
2. To adjust the distance between the doors and side panels, please refer to (B)
3. To adjust the gap between two doors, please refer to step (C)
4. After the adjustment finished, please tight the screws, refer to step (D)

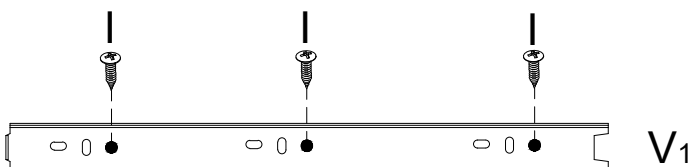
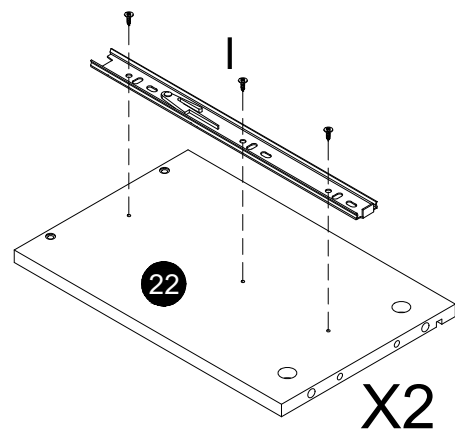
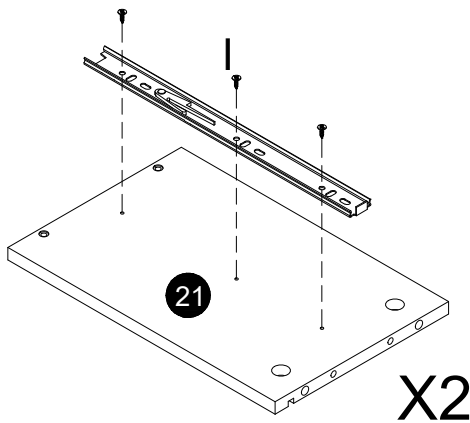
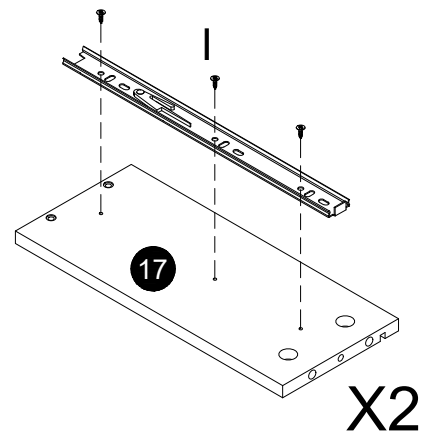
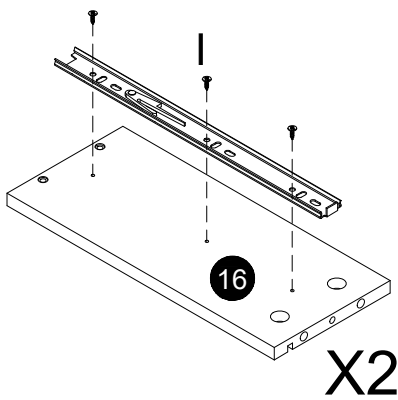
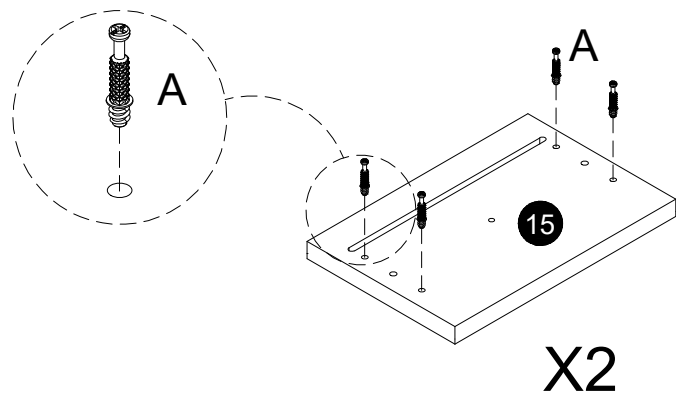
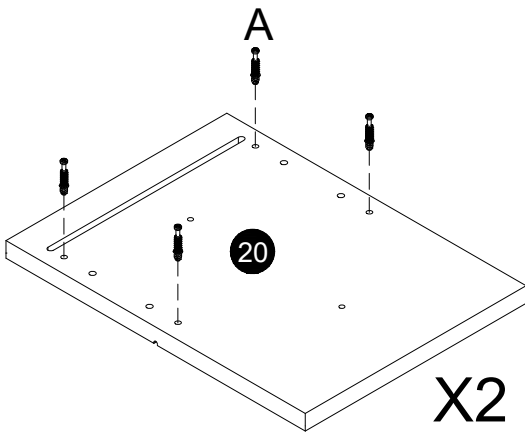
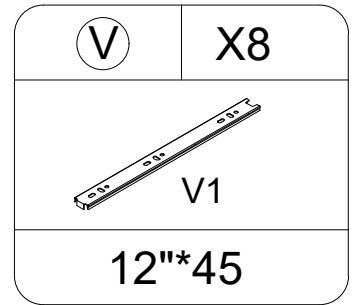
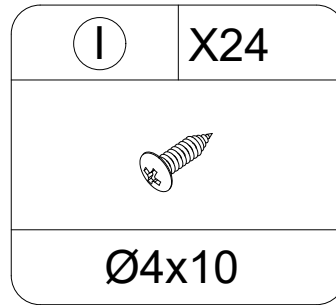
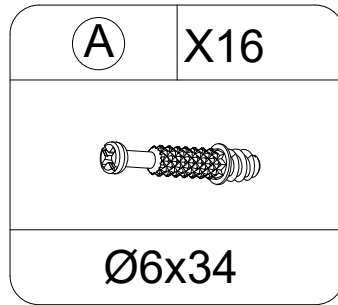
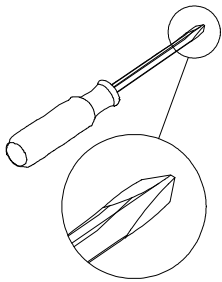
STEP 17

PF030



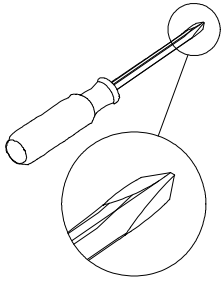
STEP 18

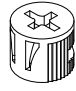
PF030

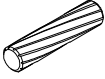


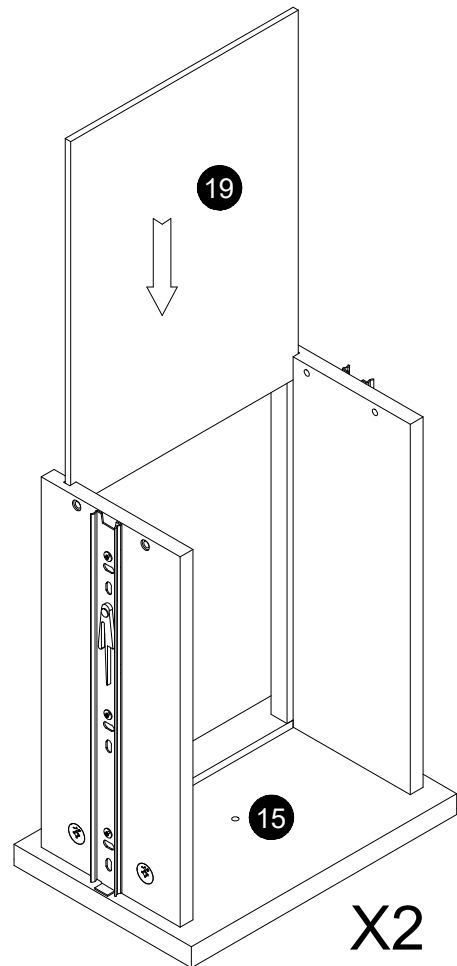
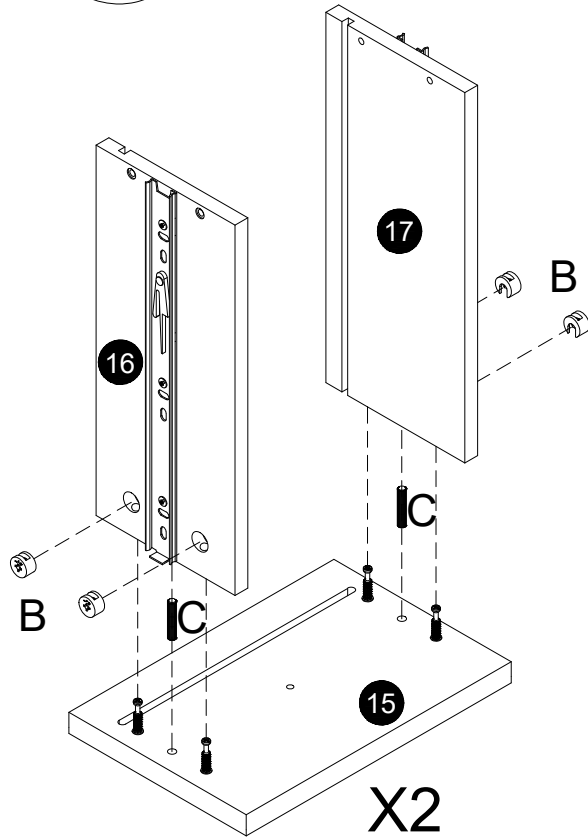
STEP 19

PF030



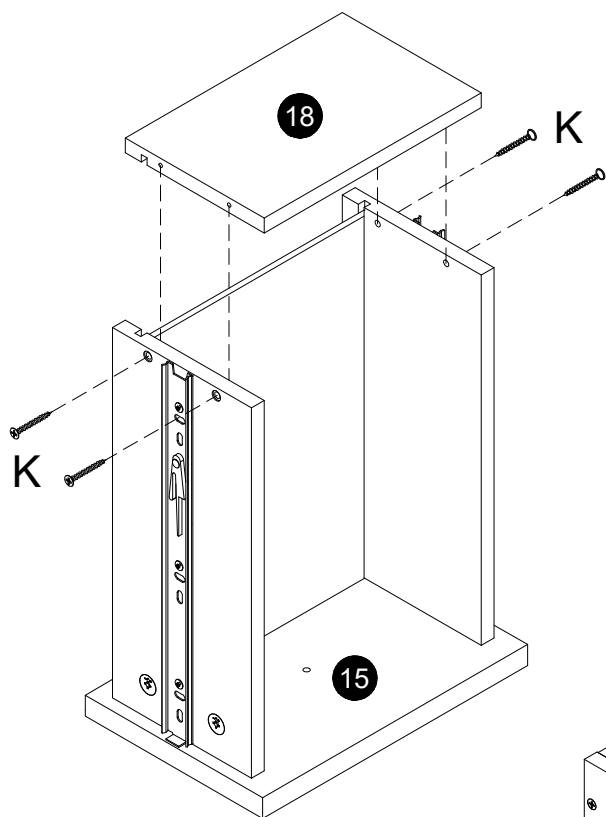
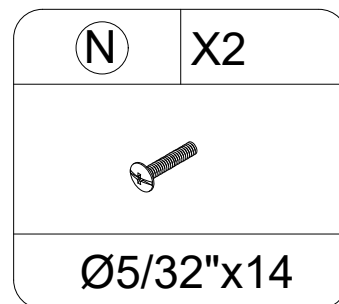
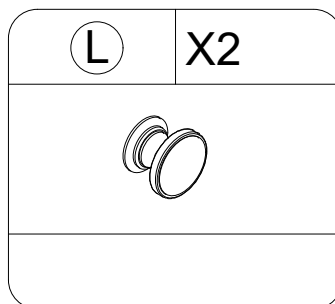
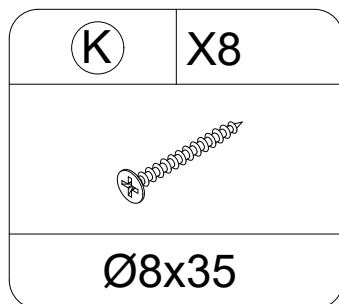
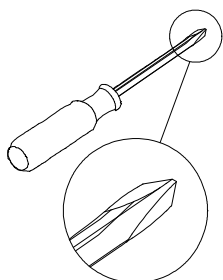
(B)	X8
	
Ø15x9.5	

(C)	X4
	
Ø6x30	

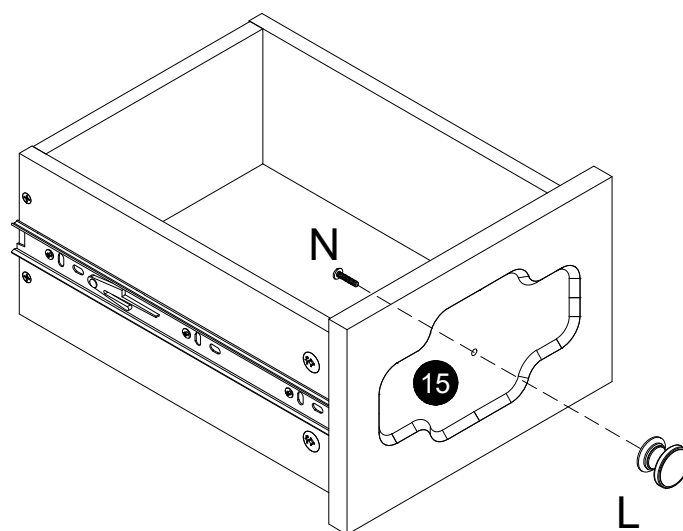


STEP 20

PF030



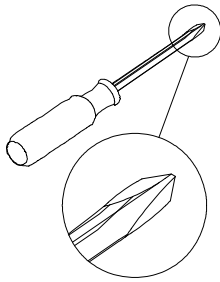
X2

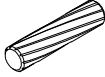


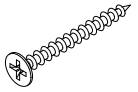
X2

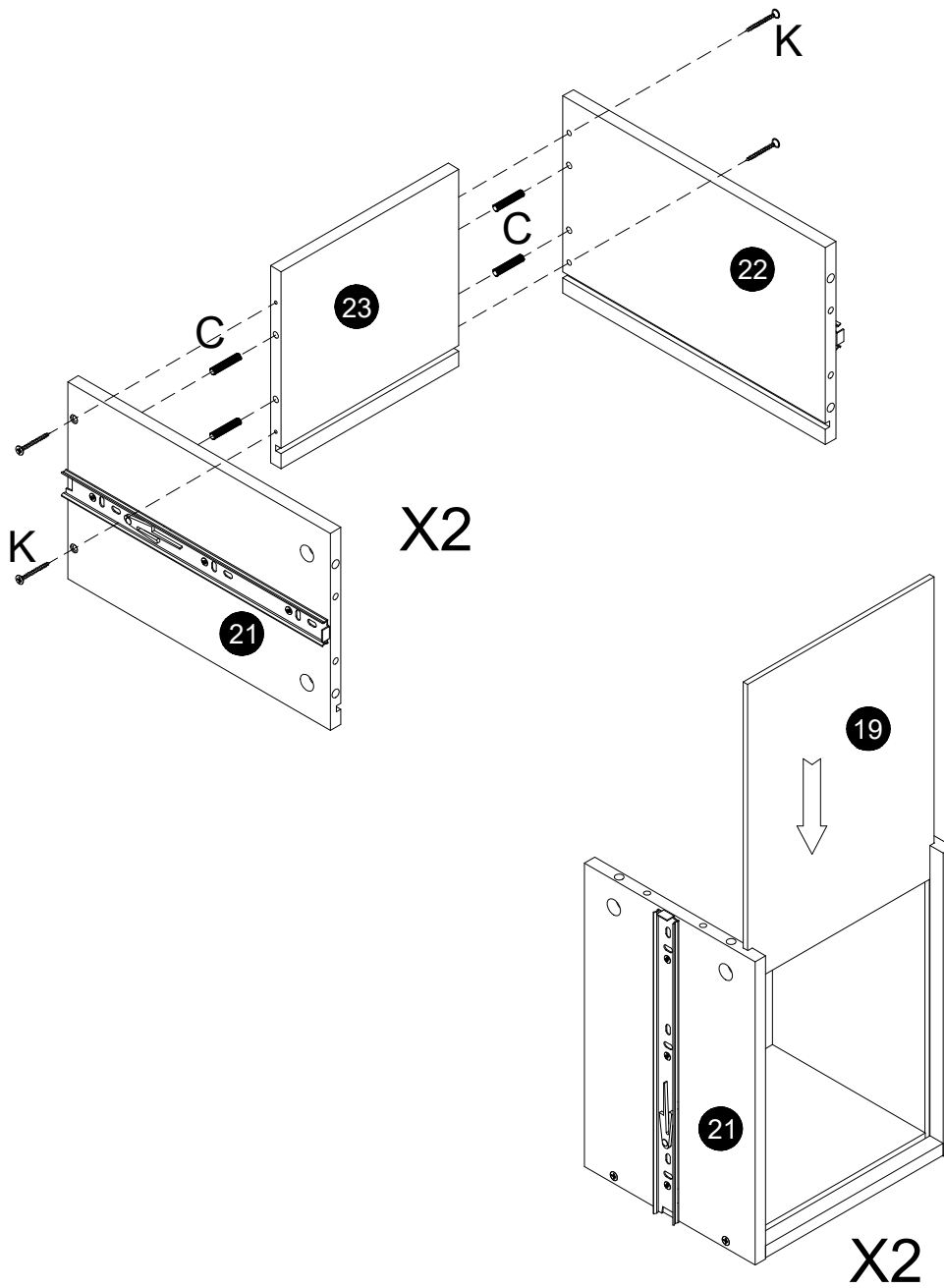
STEP 21

PF030



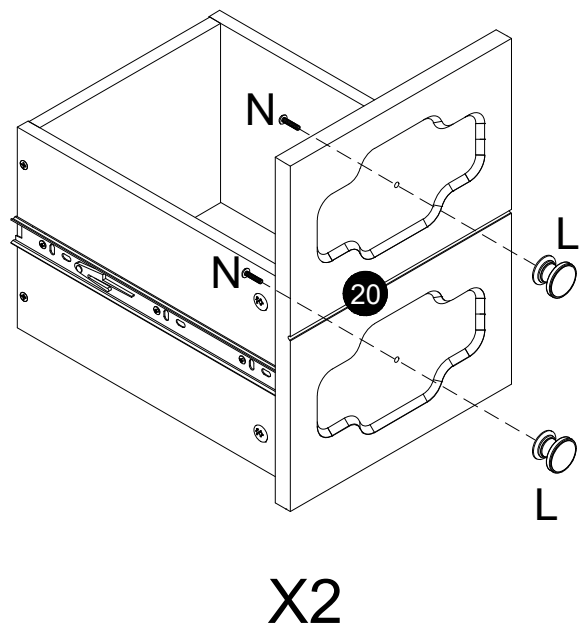
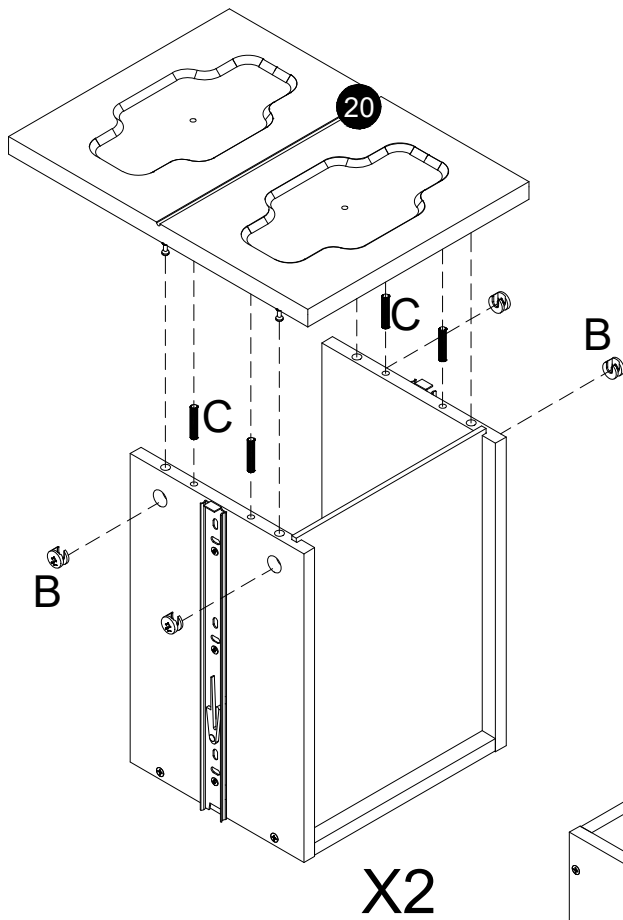
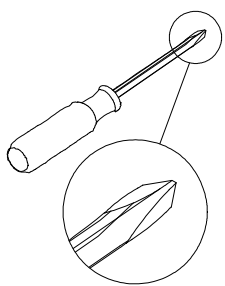
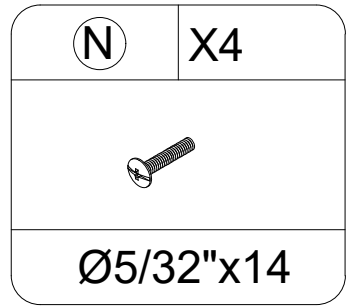
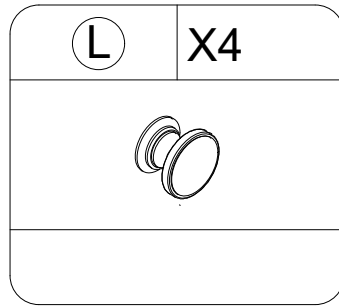
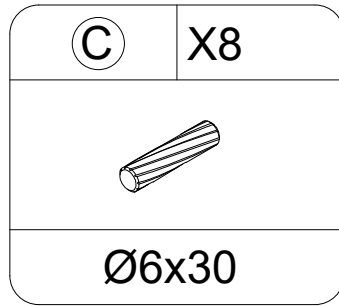
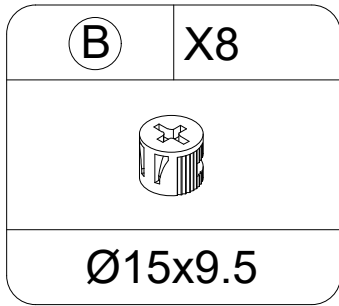
(C)	X8
	
Ø6x30	

(K)	X8
	
Ø8x35	



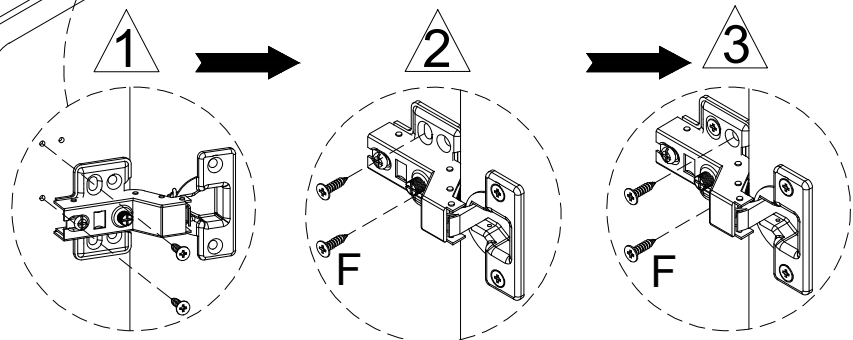
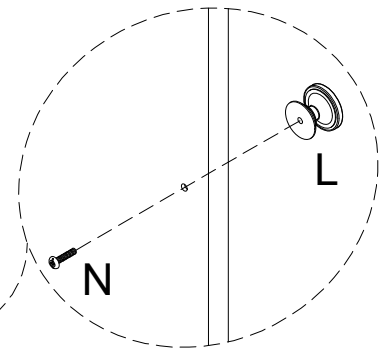
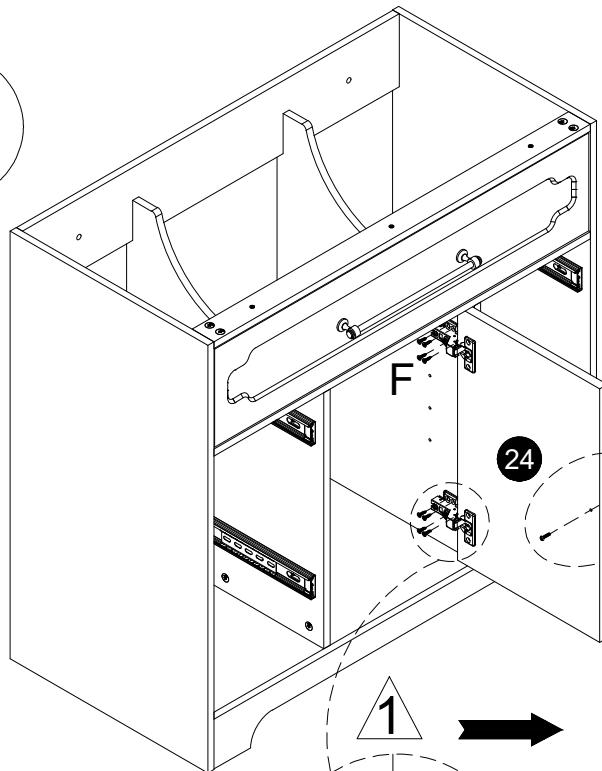
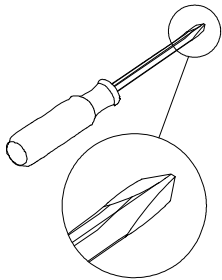
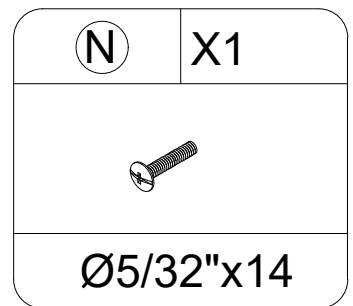
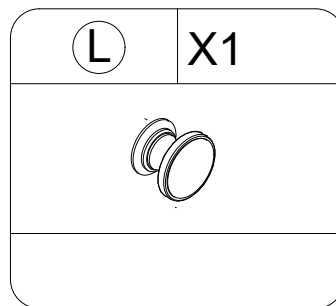
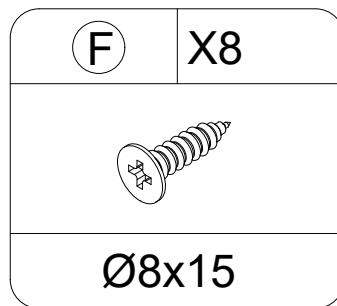
STEP 22

PF030

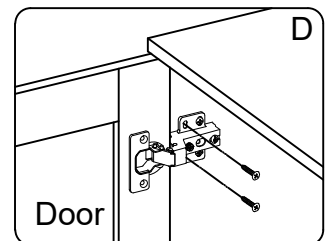
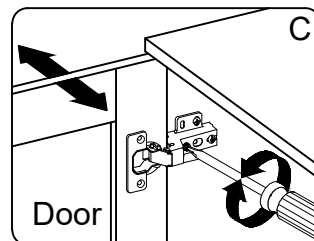
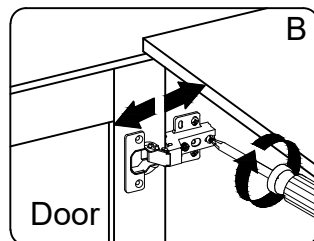
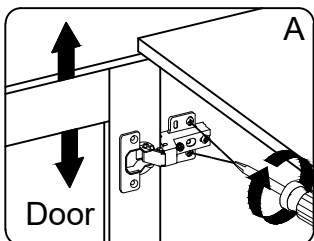


STEP 23

PF030



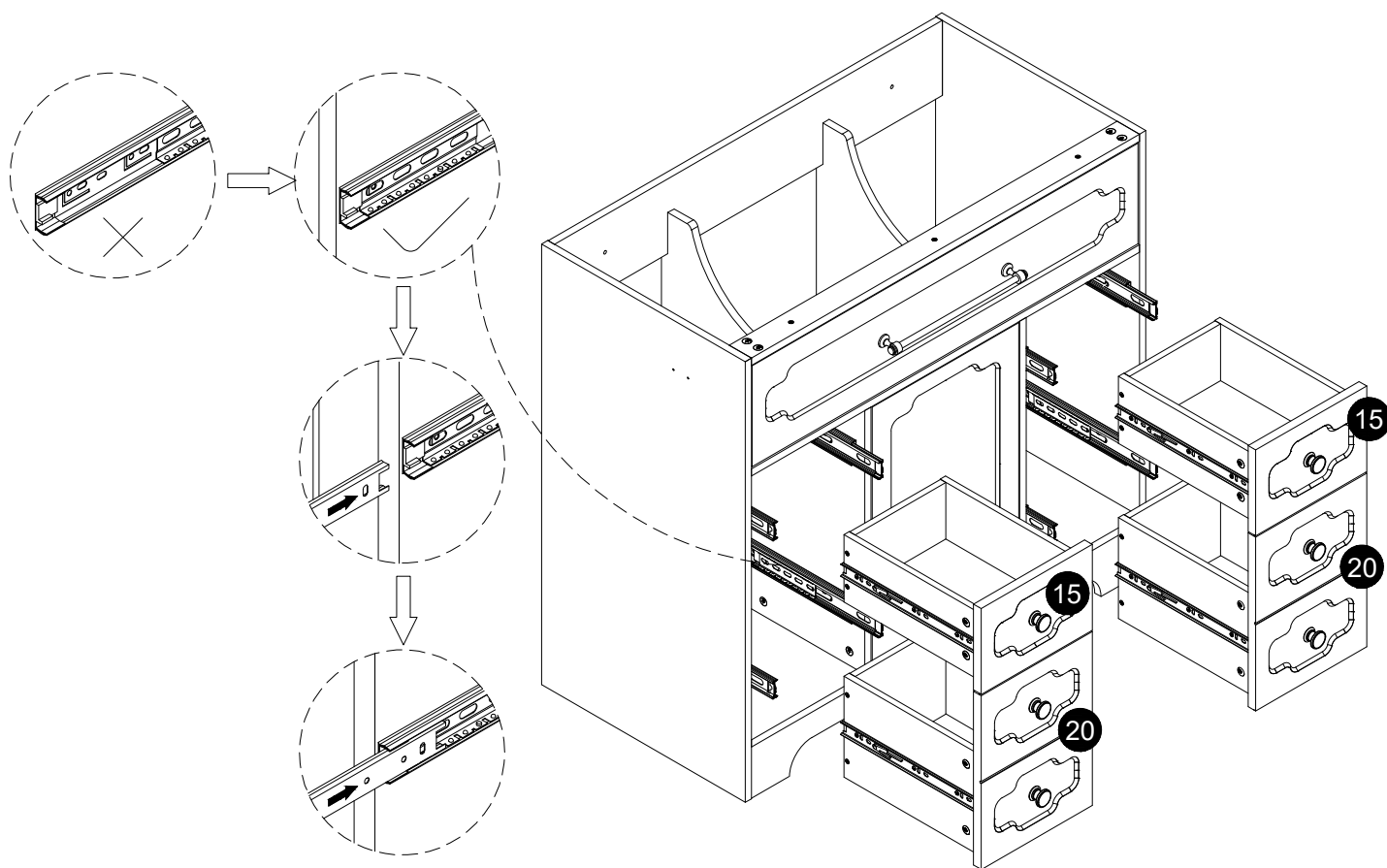
When the hinges are installed, you can refer to the pictures to adjust crevice of the doors till it's perfect



1. To adjust the doors up and down, please refer to step (A)
2. To adjust the distance between the doors and side panels, please refer to (B)
3. To adjust the gap between two doors, please refer to step (C)
4. After the adjustment finished, please tight the screws, refer to step (D)

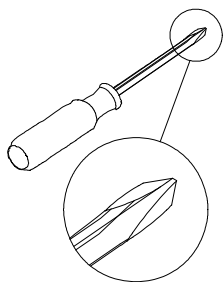
STEP 24

PF030



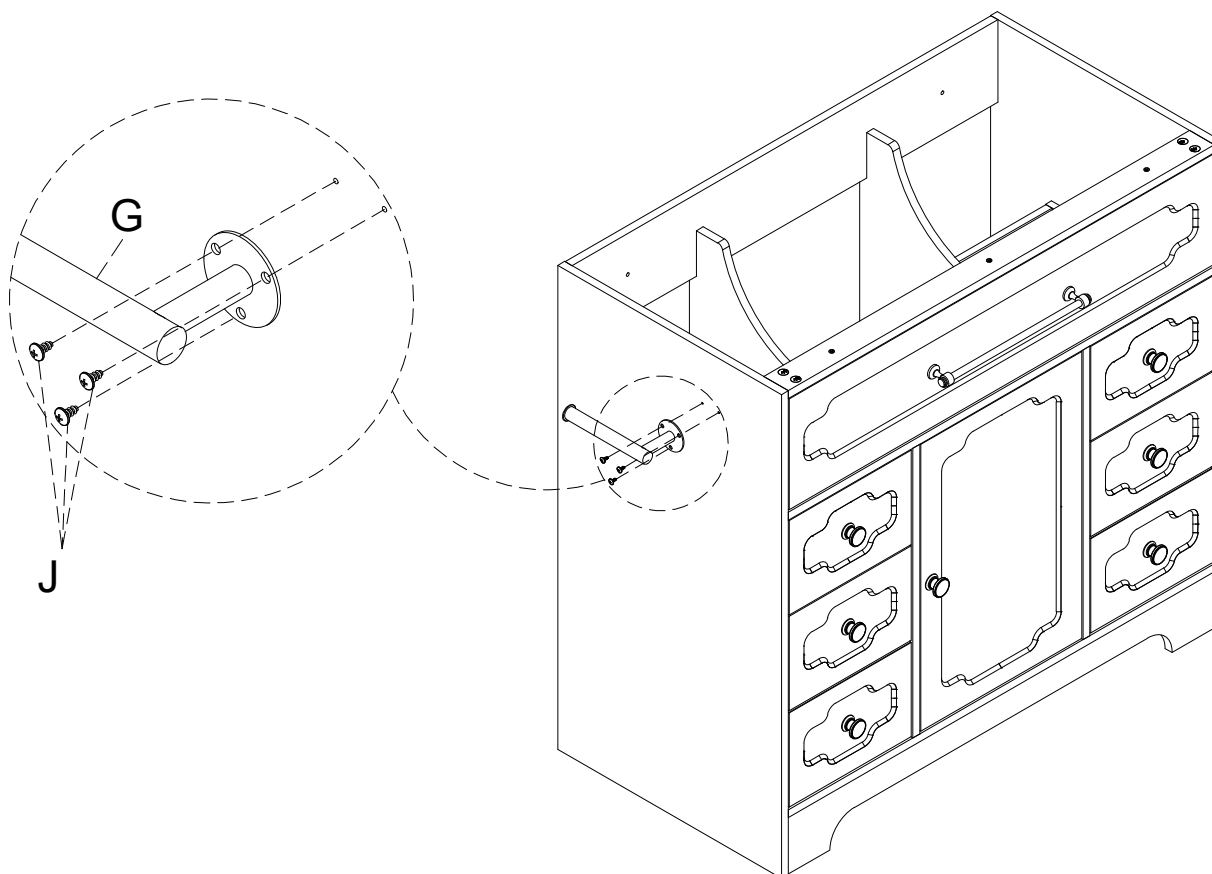
STEP 25

PF030



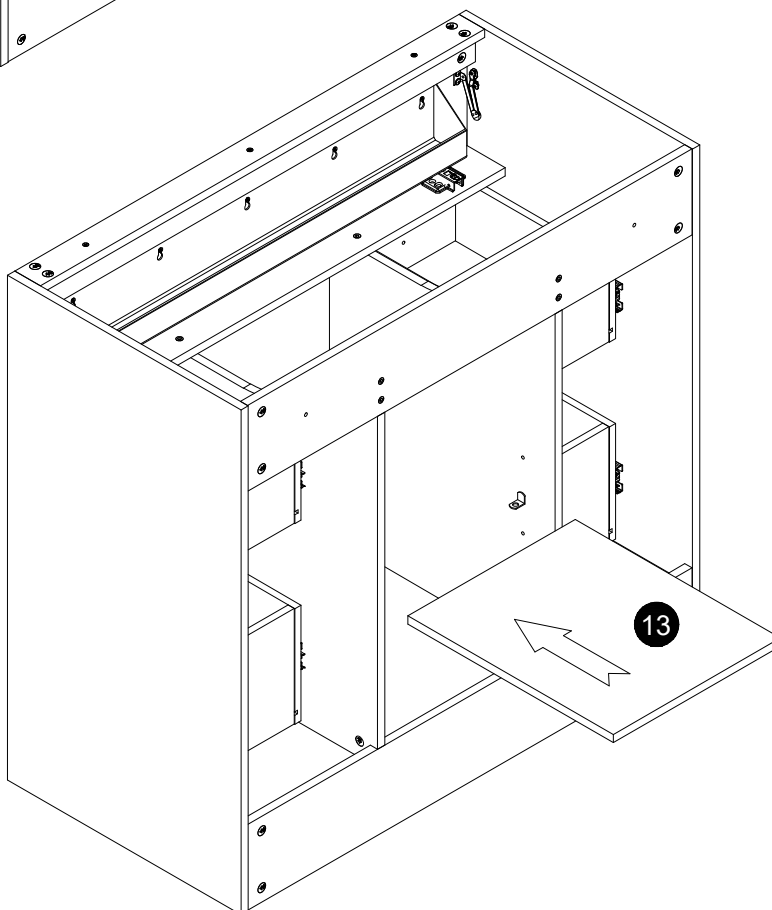
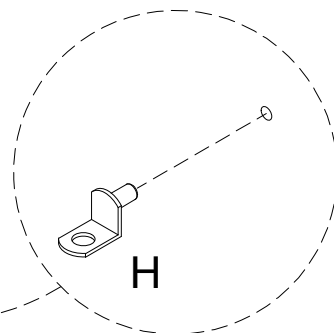
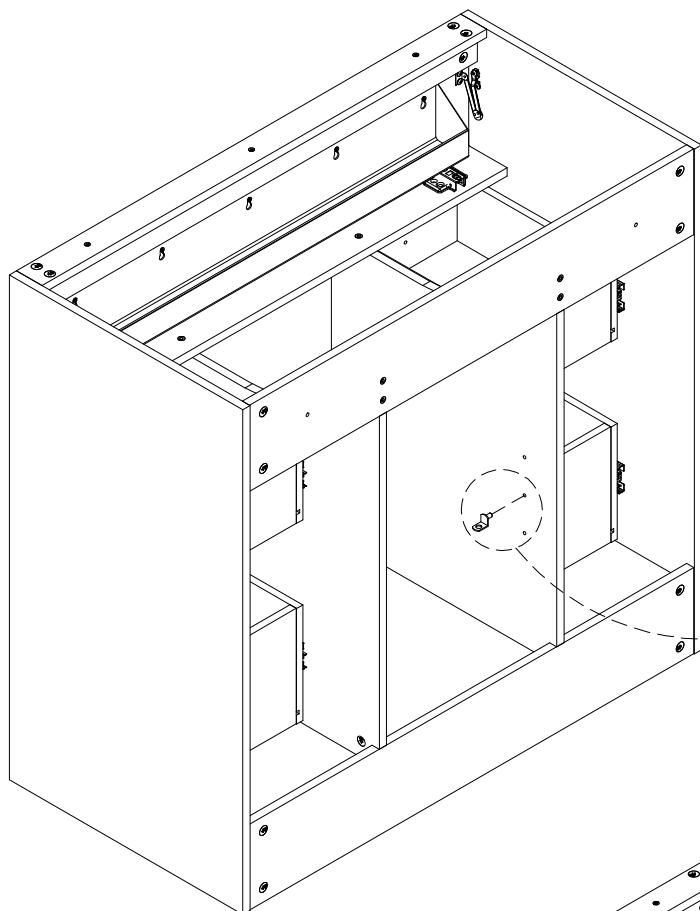
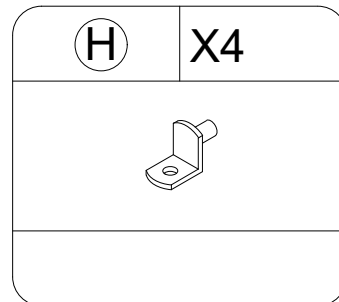
J	X3
A detailed drawing of a screw with a Phillips head and a threaded shaft.	
Ø4x12	

G	X1
A drawing of a metal L-shaped bracket with a circular base and a long arm.	



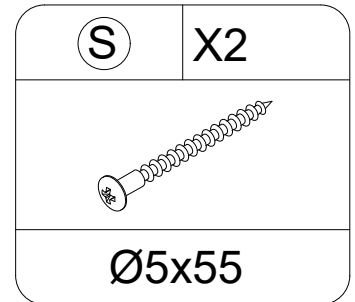
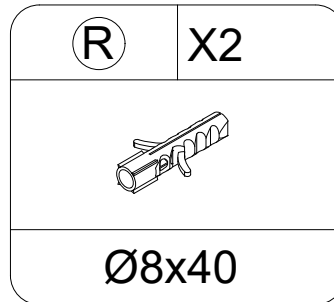
STEP 26

PF030



STEP 27

PF030



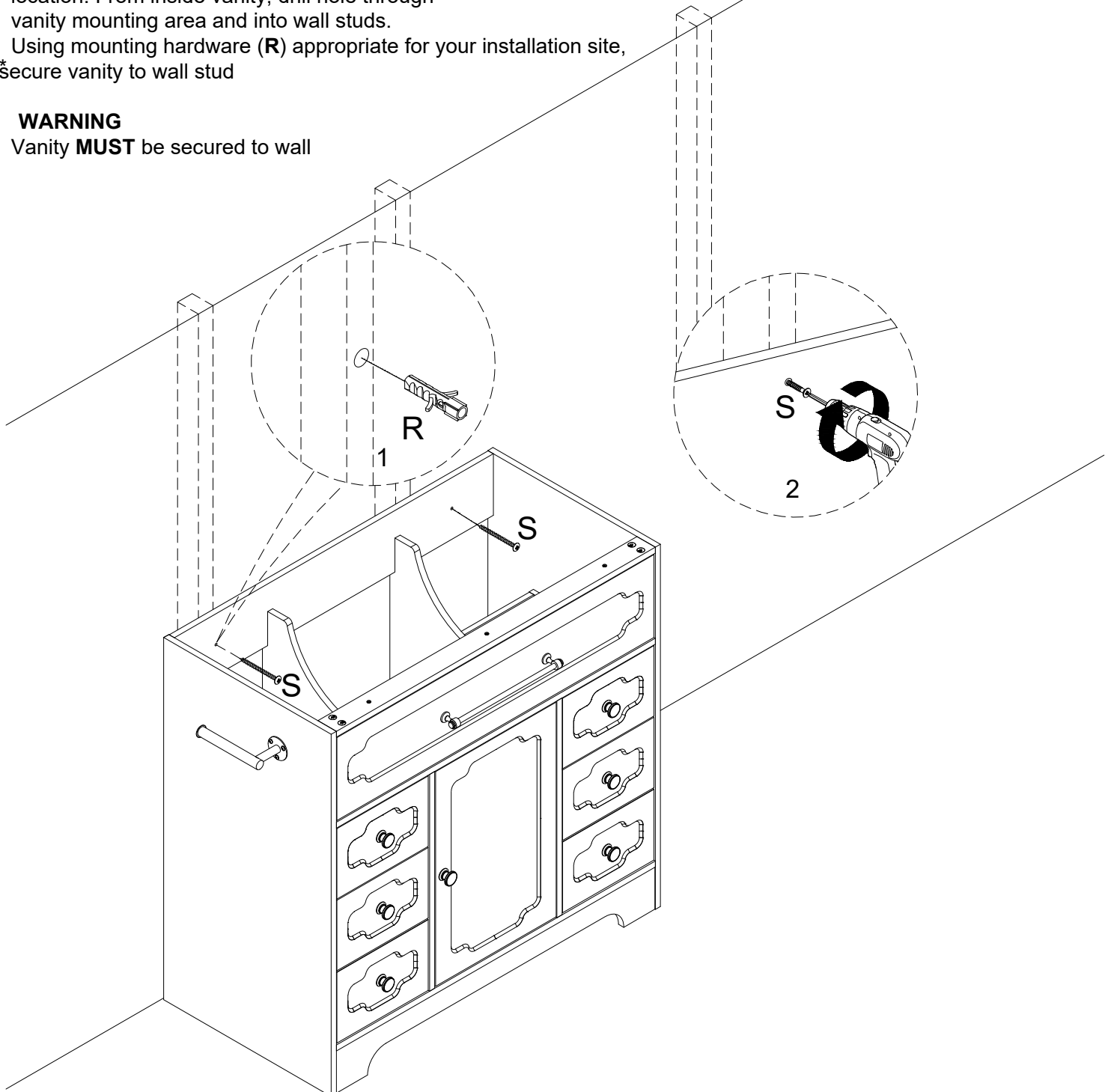
***Note:** Clean area where the vanity will be permanently located prior to beginning installation, ensuring the vanity will not interfere with any water supply and drain lines once mounted.

With the help of another adult, carefully place vanity against the wall in its final location. From inside vanity, drill hole through vanity mounting area and into wall studs.

Using mounting hardware (R) appropriate for your installation site, secure vanity to wall stud

WARNING

Vanity **MUST** be secured to wall

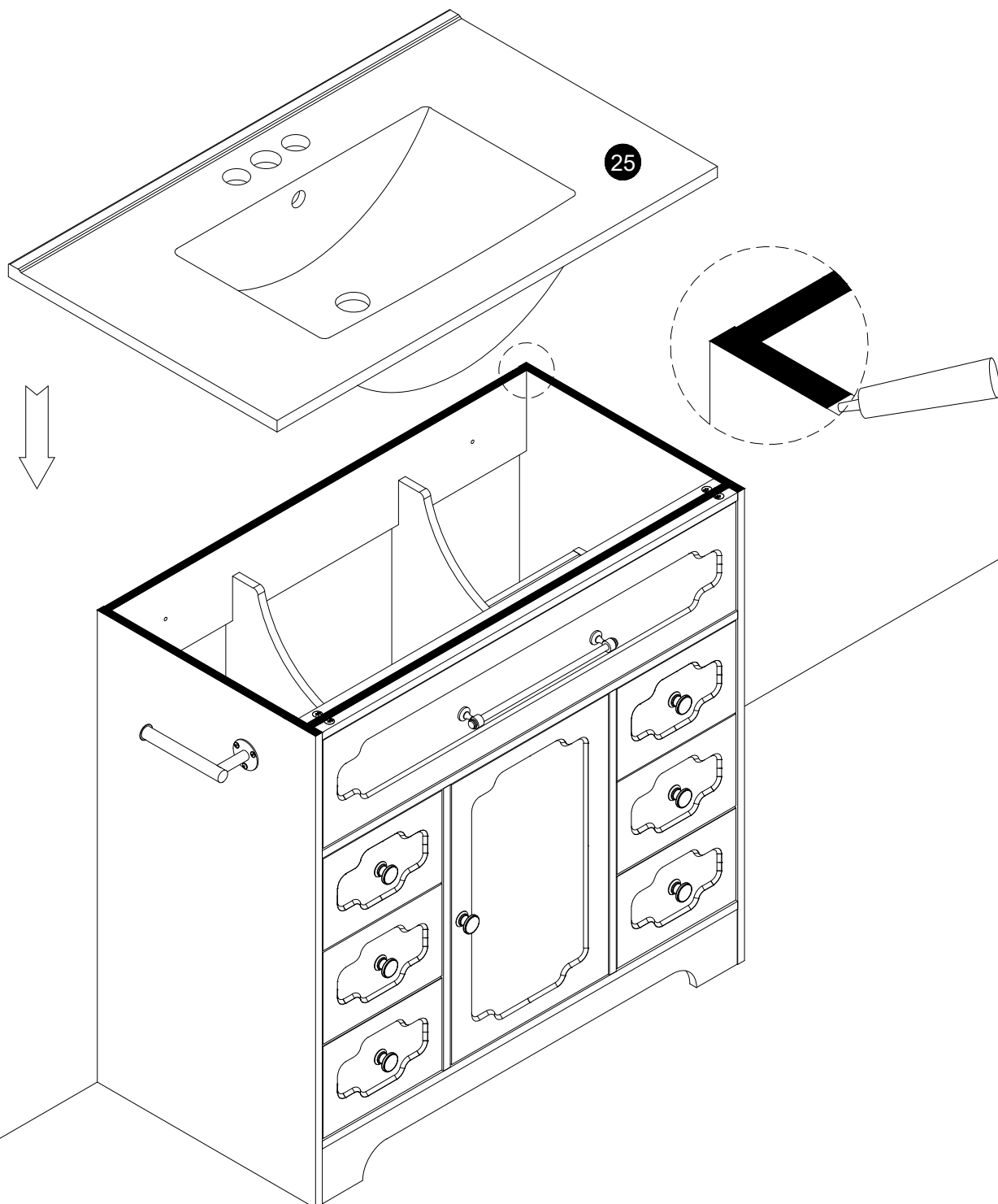


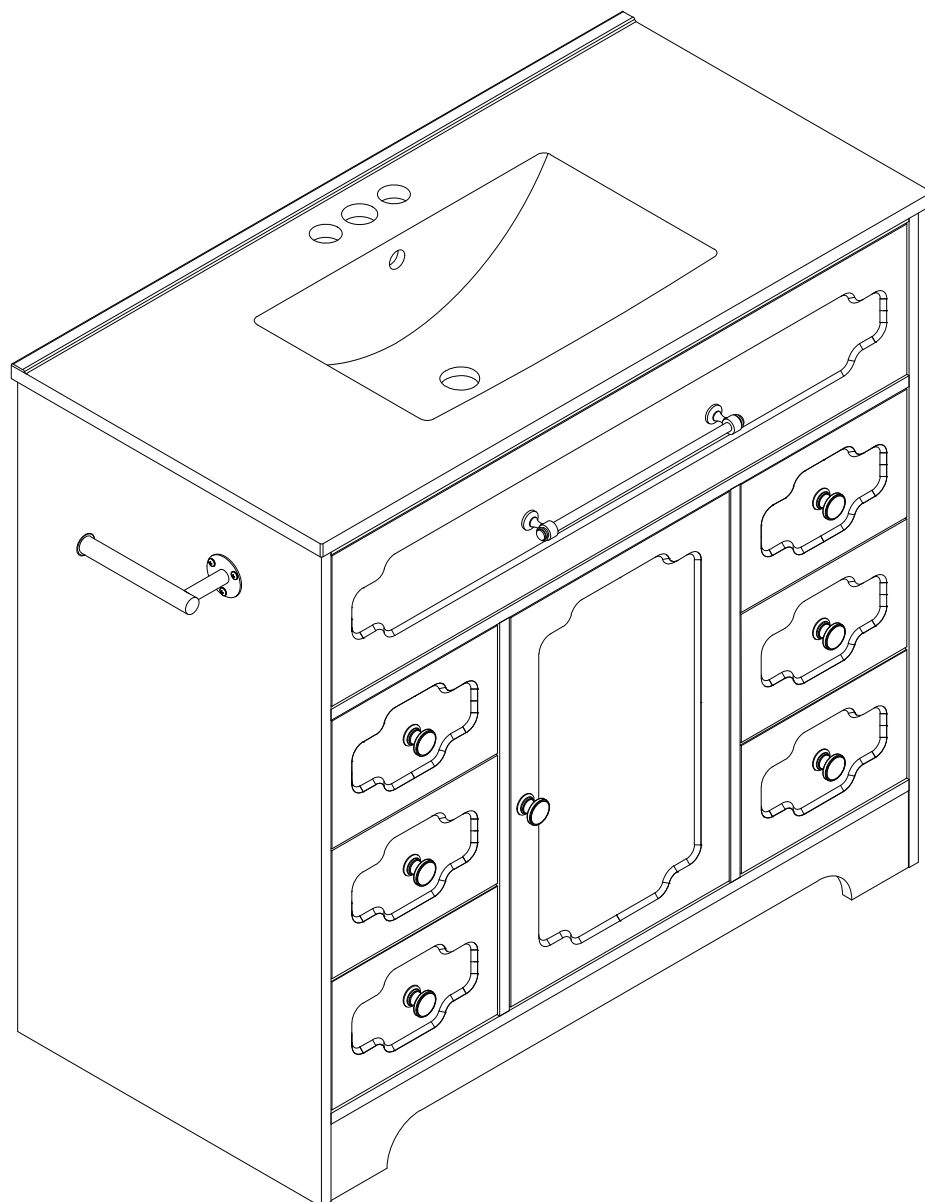
STEP 28

PF030

Note: At this stage it may be easier to install the faucet and drain kit (not included) to top (25) per the manufacturer's instructions.

* Apply stain free silicone or latex silicone caulk (not included) to the top edge of vanity. With the help of another adult, gently lower top (25) onto the vanity. Wipe away any excess caulk with a soft cloth, and wait approximately 24 hours for it to dry.





FURNITURE CARE AND MAINTENANCE

Thank you for your purchase. We want your item to last as long as possible. To ensure the Product gives you years of service, please refer to this care and maintenance guide.



MAINTENANCE

Tighten all bolts and screws again within the first 2 weeks of assembly
Check the tightness of all bolts every 2 months, tighten them if necessary



CLEANING

Clean the surface of the MDF and PB (medium - density fiberboard) with a lightly dampened cloth.

Small amount of mild soap can be used if necessary
Dry the surface immediately after cleaning.

- ⚠ DO NOT use bleach or alcohol detergent to clean the surface.
- ⚠ DO NOT apply wood treatment on parts made with MDF/PB.

Medium - density fiberboard and PB will swell and distort when suffer from water damage.
Make sure to dry the furniture immediately after cleaning