

INSTALLATION

Product Manual

Version: 650013US-01-26A-OL



IMPORTANT INFORMATION!

please read the entire manual before starting to assemble and/or using this product. follow the manual thoroughly and keep it for further reference.



AVOID SCRATCHES!

In order to avoid scratching this furniture should be assembled on a soft layer- could be a rug.



IMPROVE EFFICIENCY !

Try to find a partner to install with you, which can speed up the installation efficiency and shorten the time.



ANTI-TOPPLE WARNING !

Overturned furniture can cause serious or fatal crush injuries. To prevent tipping over, be sure to use the wall attachment, if not included with this product. Please purchase the wall attachment that fit your wall. If unsure, seek professional advice. Please read and follow each step of the instructions carefully.

IMPORTANT !

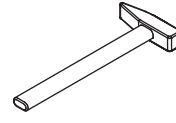
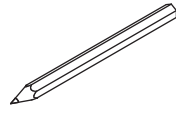
It is important that any product which is assembled using any kind of screw is re-tightened 2 weeks after assembly, and once every 3 months - in order to assure stability through-out the lifespan of the product.

For regular maintenance and cleaning of the product, for the frame, please use a rag dipped in neutral detergent to fully wipe it, and then dry it with a clean rag. For glass materials, wipe with a rag dampened with water glass cleaner, and then dry with a dry rag.

Do not use an electric screwdriver, and do not use too much force when installing, because the board is easy to break.

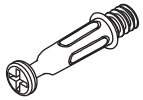


Please prepare the following tools



When installing, please carefully confirm whether each screw corresponds to the manual, accessories with similar shapes can be distinguished by size

A x 104



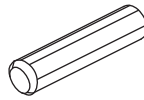
Ø6 x 40 mm

B x 104



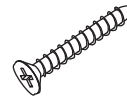
Ø12 x 12 mm

C x 57



Ø8 x 30 mm

D x 6



Ø4 x 25 mm

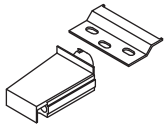
E x 72



Ø3.9 x 16 mm

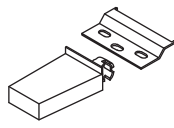
F x 2

Right

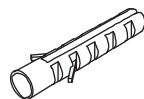


G x 1

Left

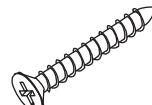


H x 9



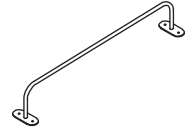
Ø8 x 60 mm

J x 9

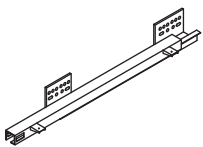


Ø5 x 60 mm

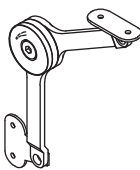
K x 1



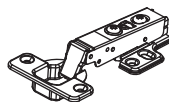
L x 2



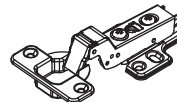
M x 2



N x 6



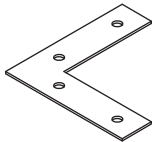
O x 2



P x 1

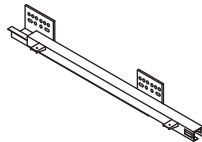


Q x 2

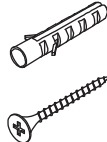


60 x 60 x 0.9 mm

R x 2



S x 2

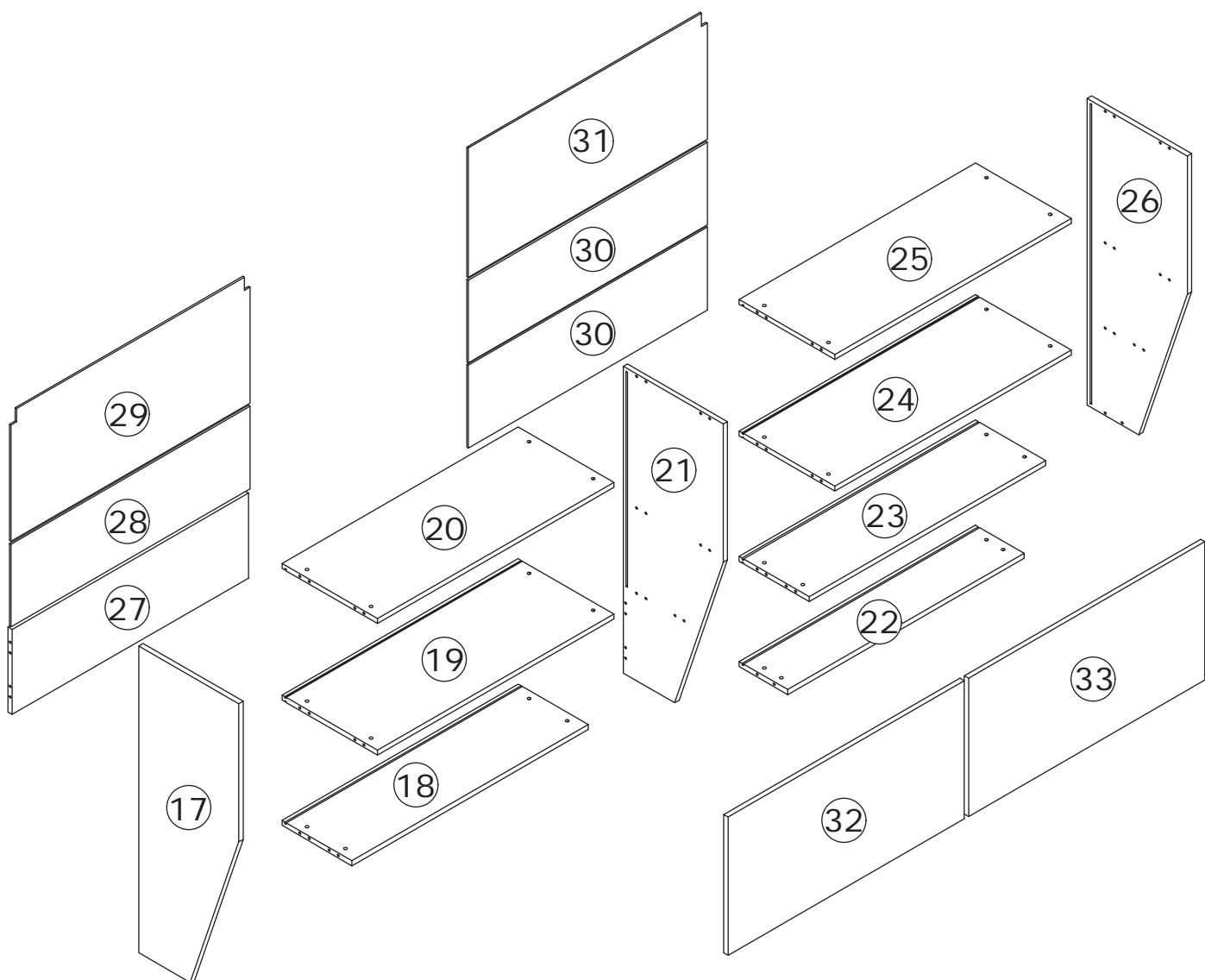


Ø3.9 x 40 mm

T x 2



65 x 15 mm



⚠ WARNING

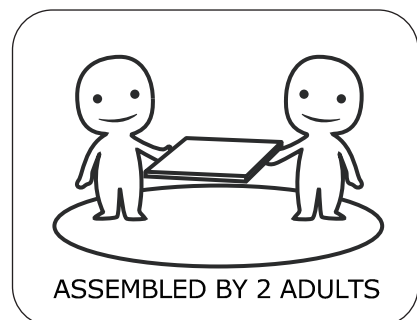


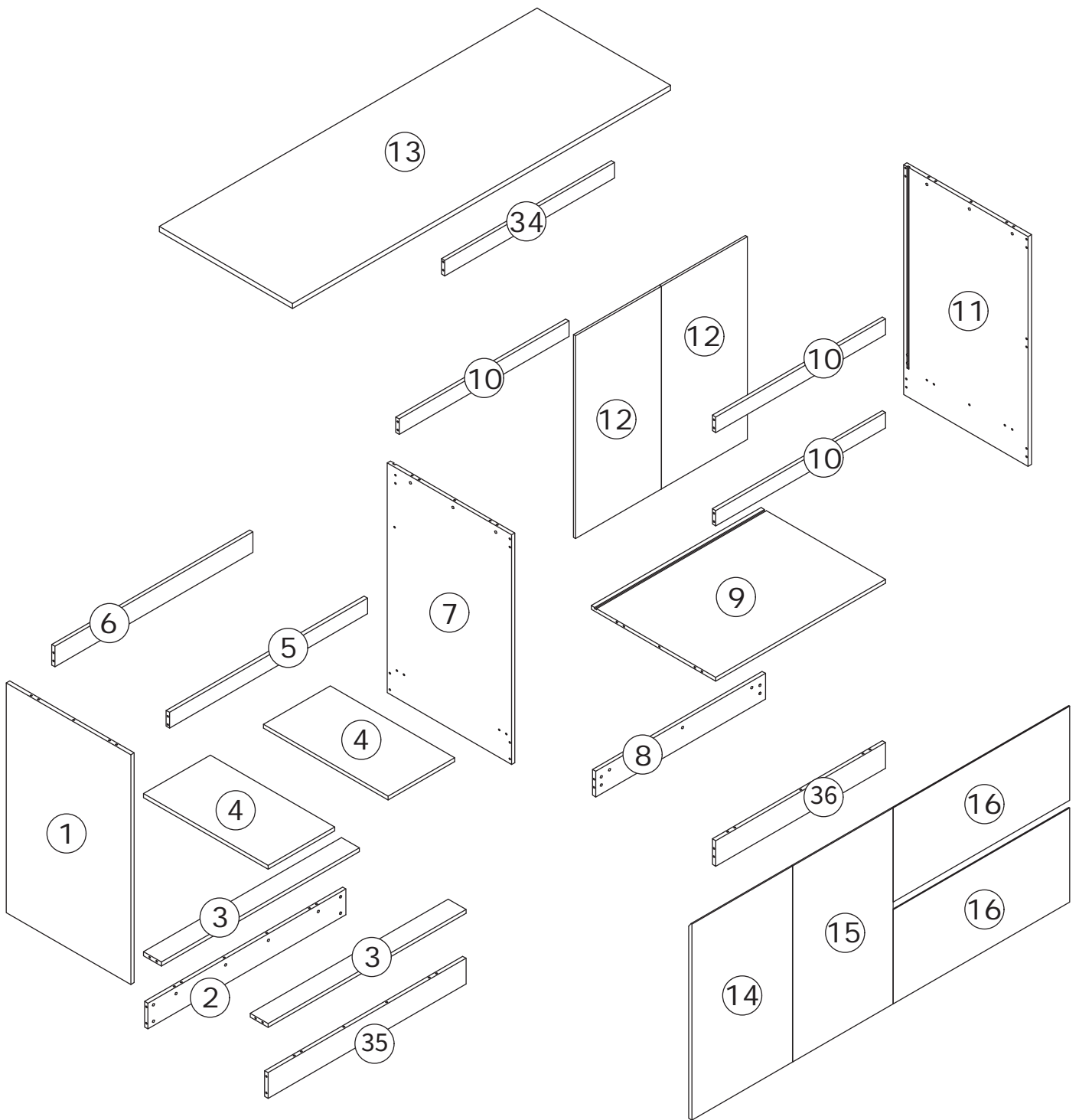
Children have died from furniture tipover. To reduce the risk of furniture tipover:

- ALWAYS install Anti-tip device provided.
- NEVER put a TV on this product.
- NEVER allow children to stand, climb or hang on drawers, doors, or shelves.
- NEVER open more than one drawer at a time.
- Place heaviest items in the lowest drawers.



*This is a permanent label.
Do not remove!*





⚠ WARNING

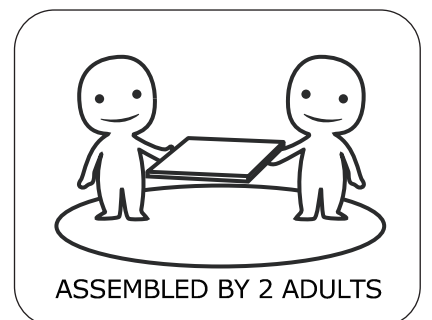


Children have died from furniture tipover. To reduce the risk of furniture tipover:

- ALWAYS install Anti-tip device provided.
- NEVER put a TV on this product.
- NEVER allow children to stand, climb or hang on drawers, doors, or shelves.
- NEVER open more than one drawer at a time.
- Place heaviest items in the lowest drawers.

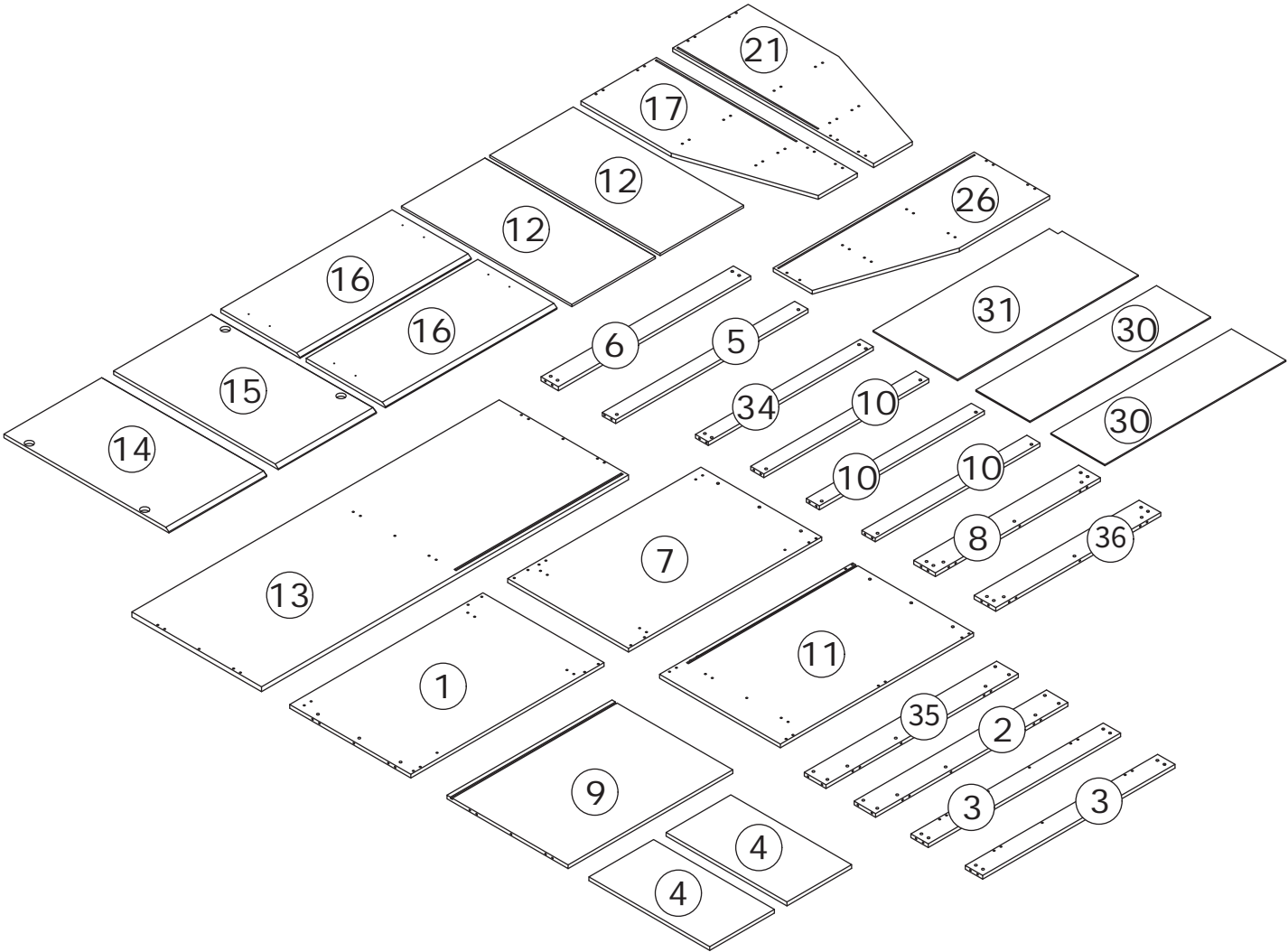


*This is a permanent label.
Do not remove!*



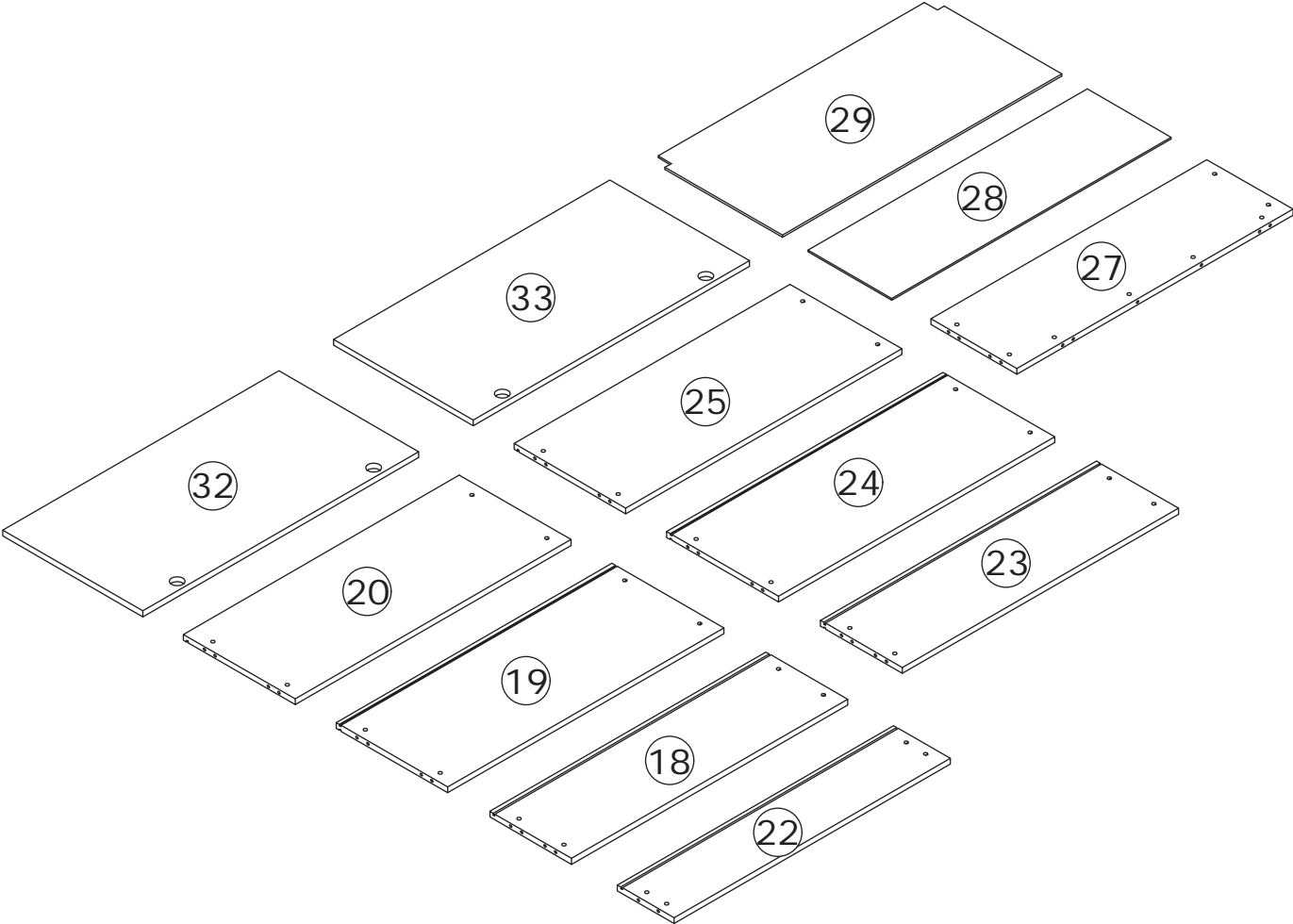
Part List

Box 1/2

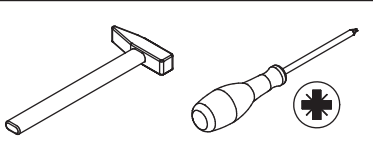
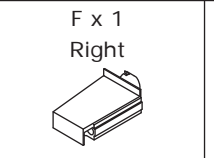
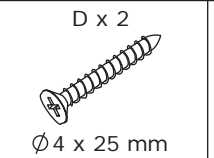
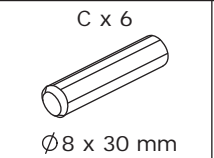
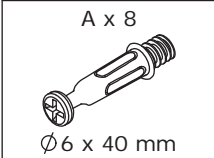


Part List

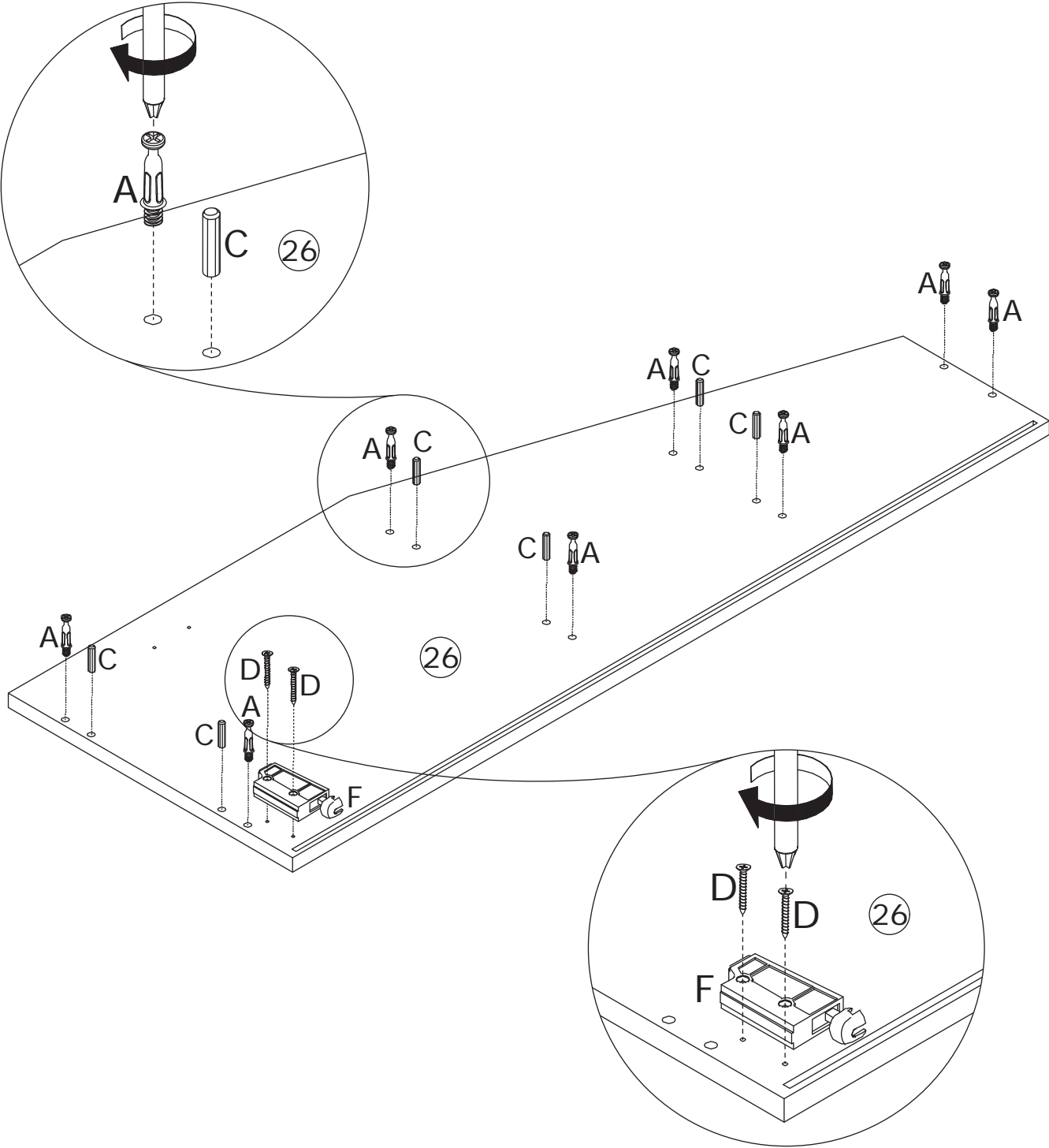
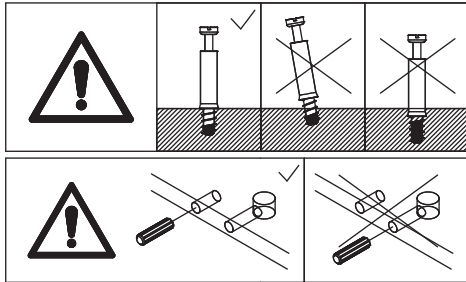
Box 2/2



1

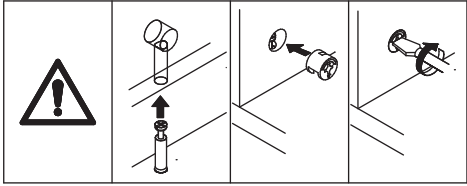


Screw the self-tapping stud (A) into panel 26, insert the dowel (C) into panel 26, and use screw (D) to secure component (F) to the installation unit of panel 26.

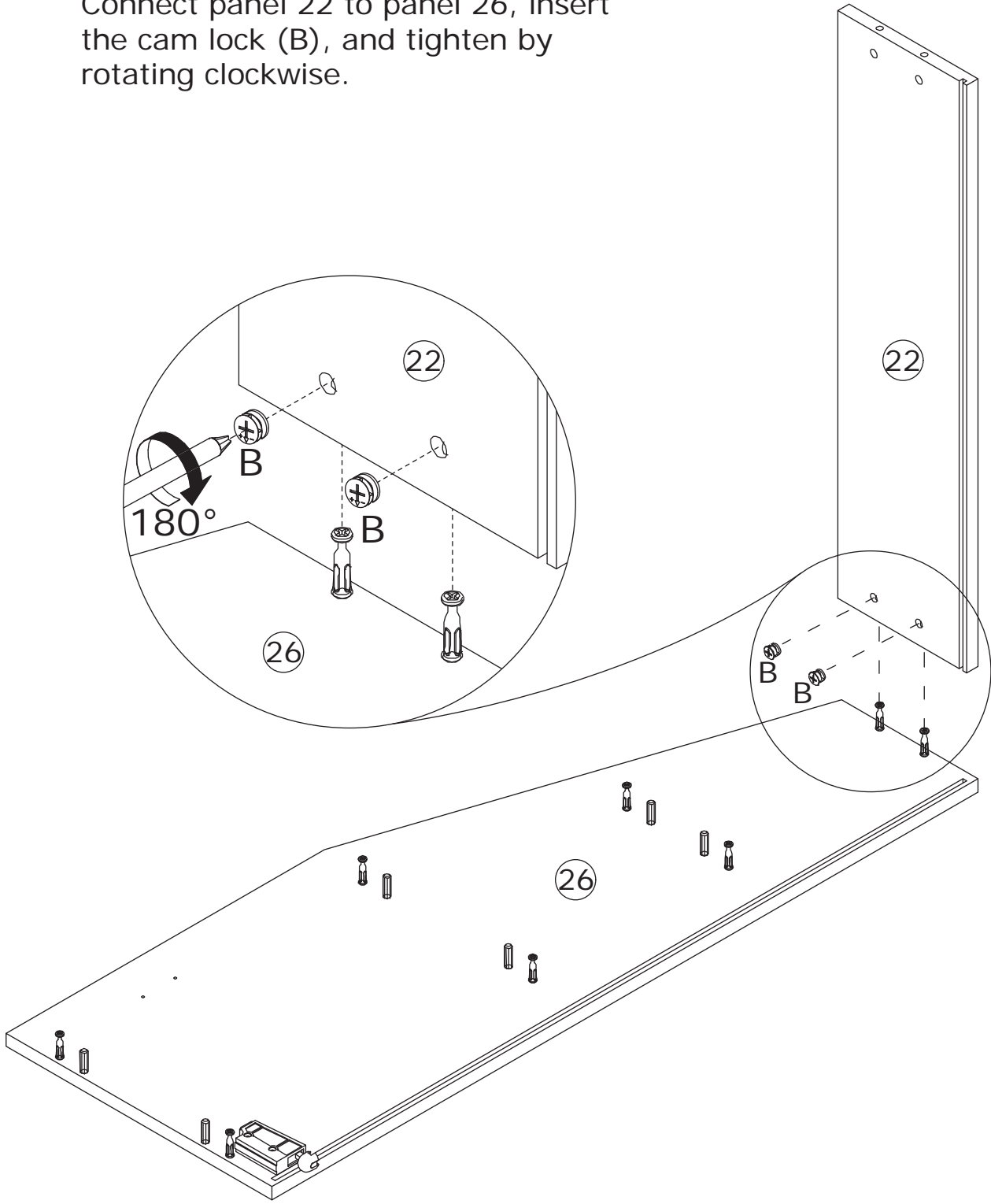


2

B x 2
Ø12 x 12 mm

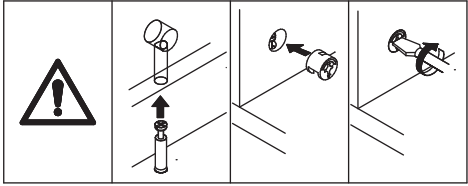


Connect panel 22 to panel 26, insert the cam lock (B), and tighten by rotating clockwise.

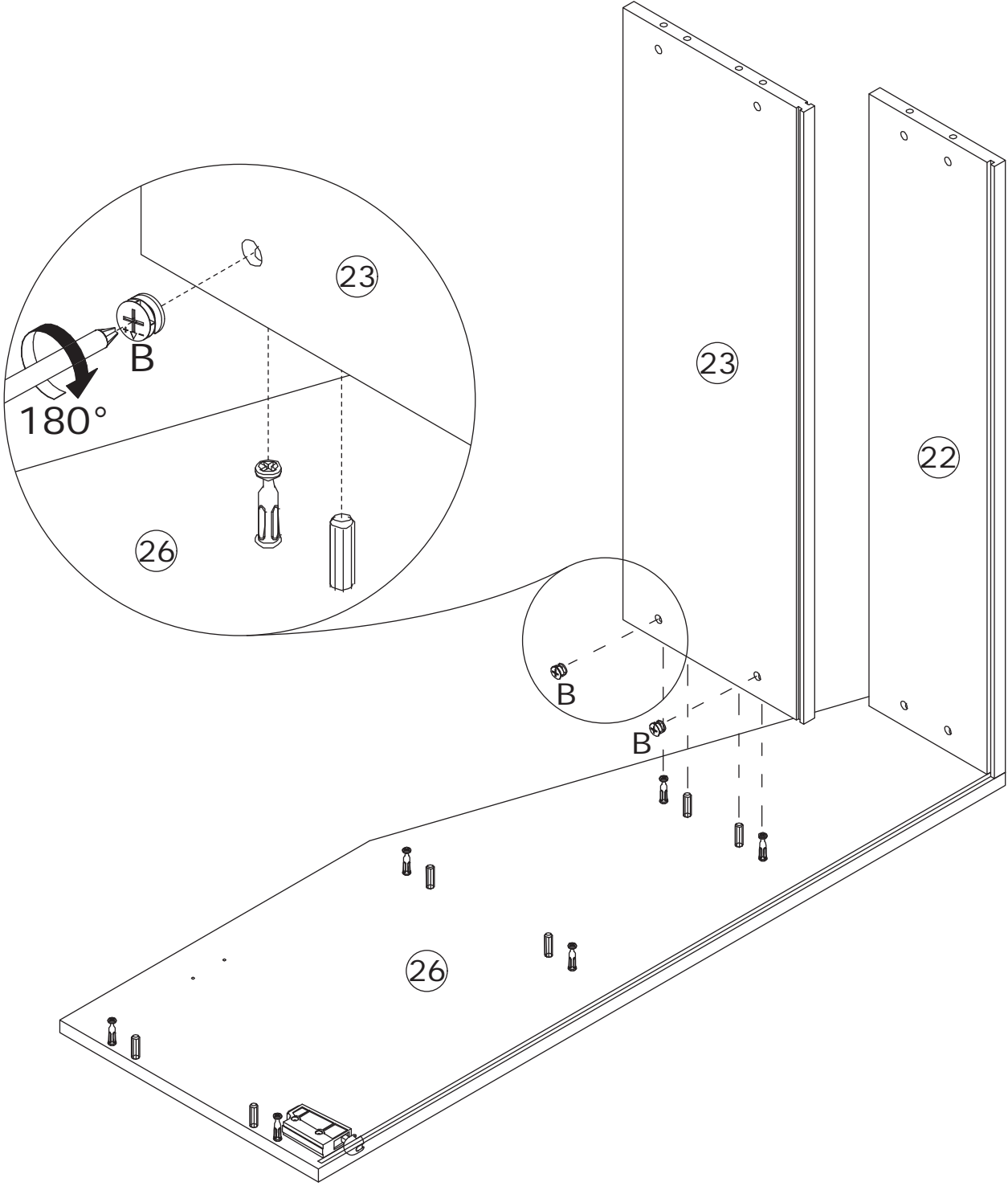


3

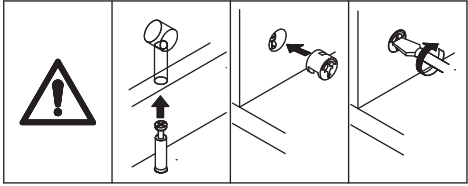
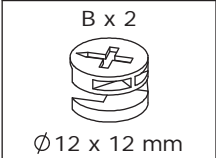
B x 2
Ø12 x 12 mm



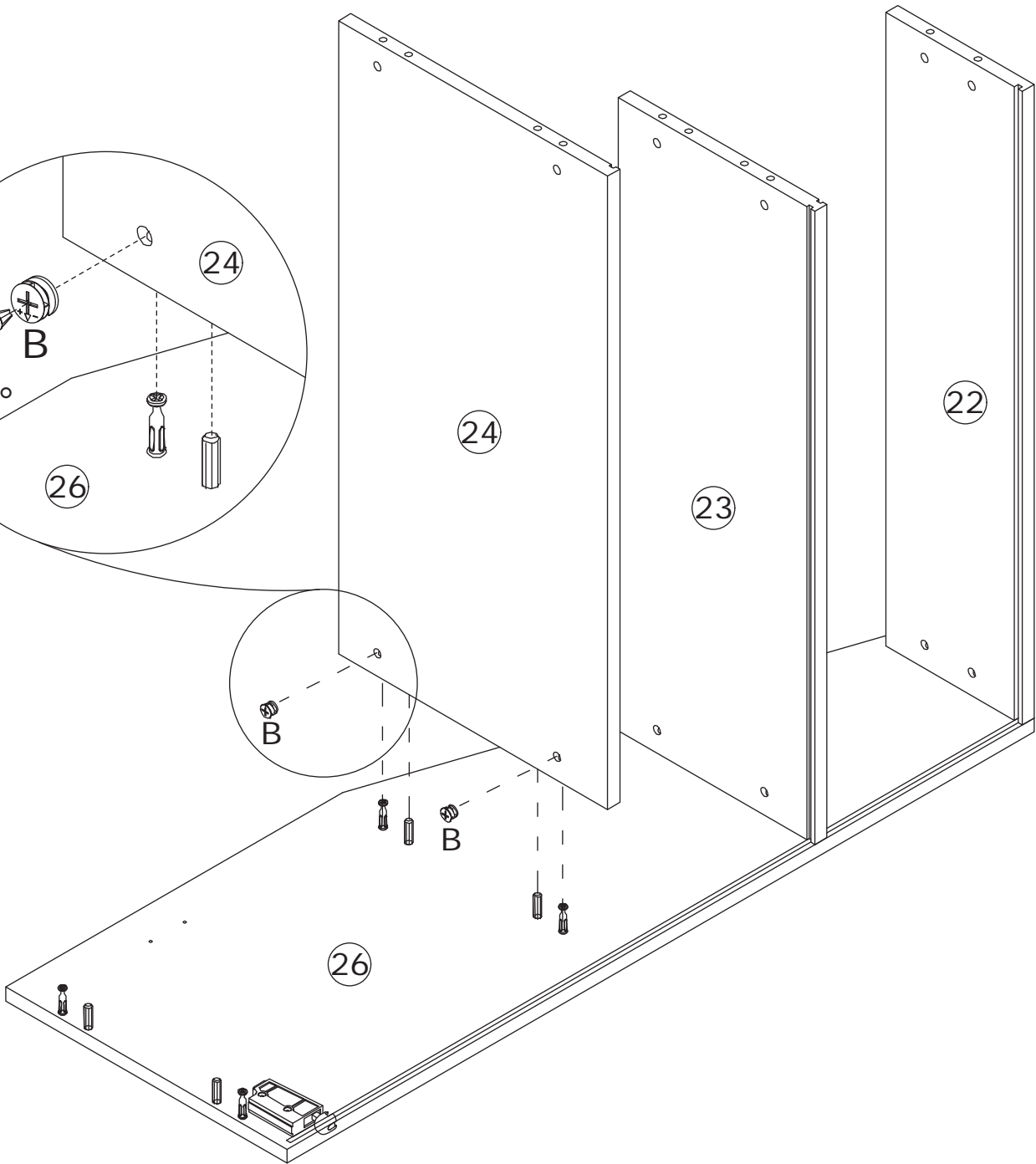
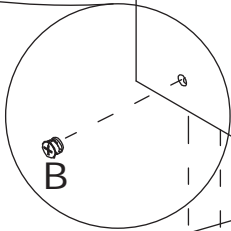
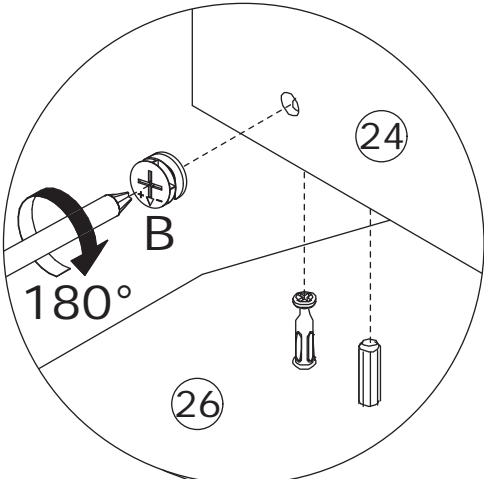
Connect panel 23 to panel 26, insert the cam lock (B), and tighten by rotating clockwise.



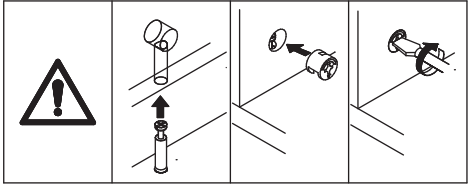
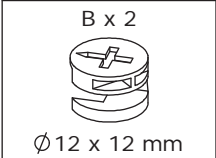
4



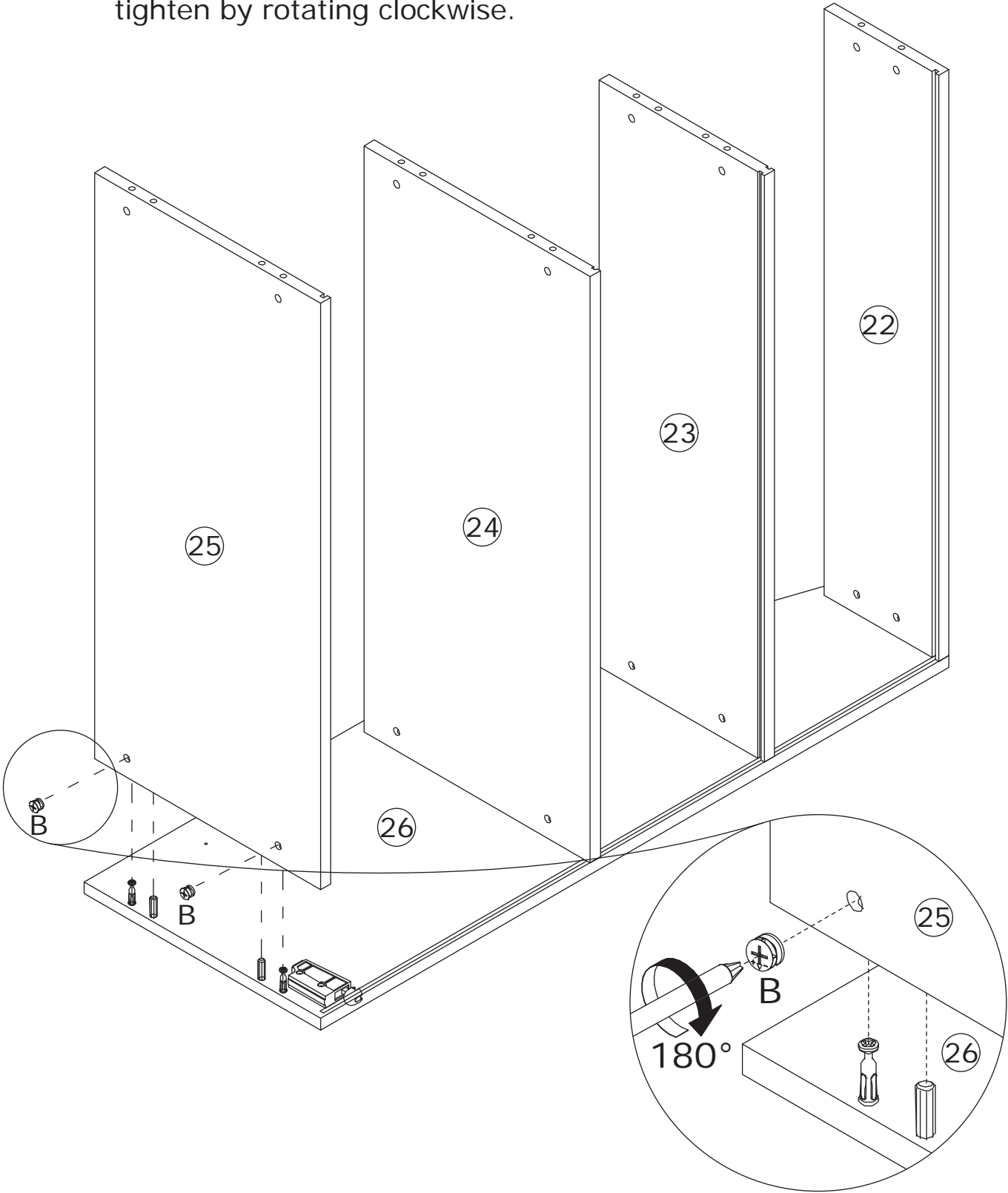
Connect panel 24 to panel 26,
insert the cam lock (B), and
tighten by rotating clockwise.



5



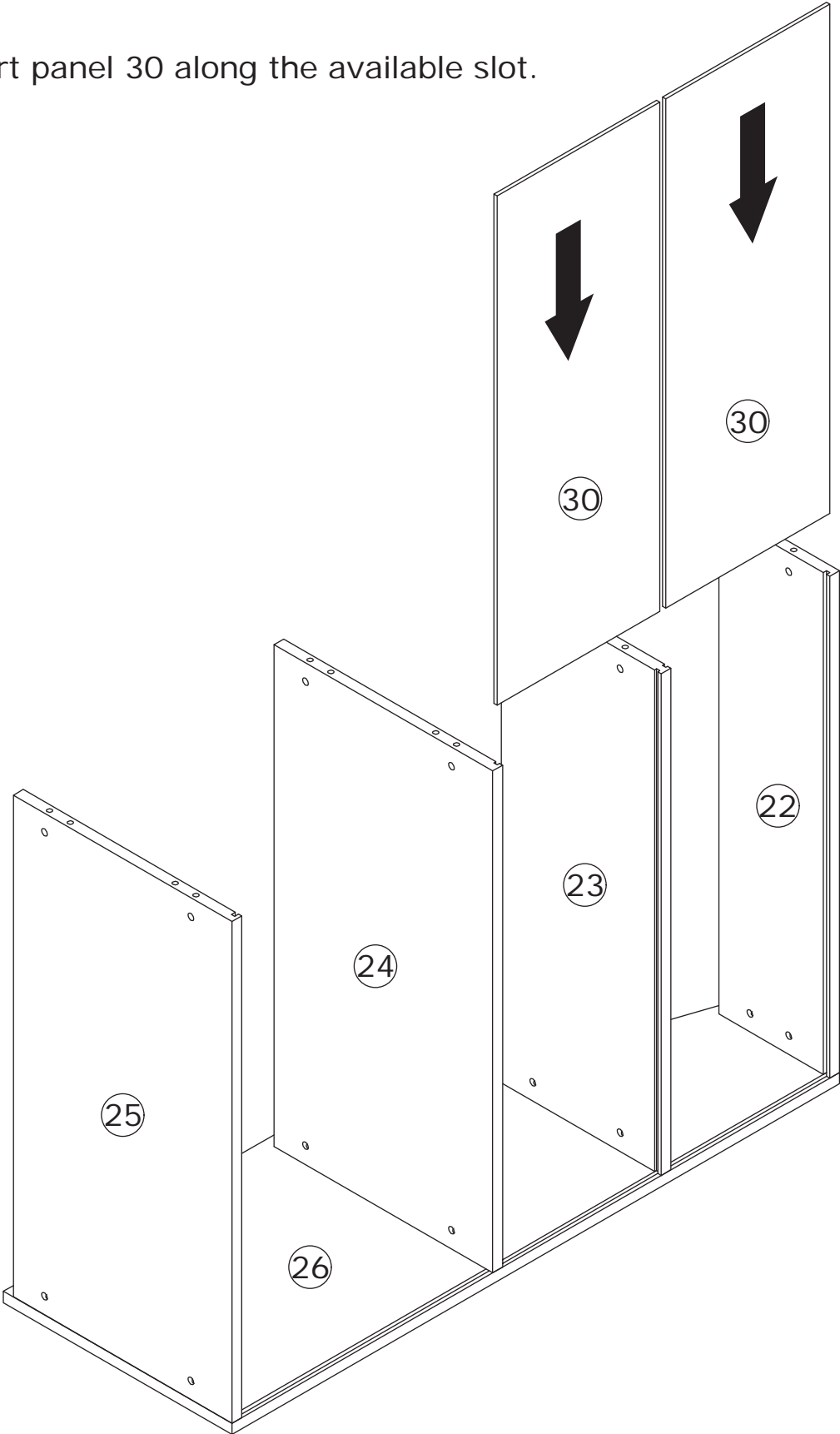
Connect panel 25 to panel 26,
insert the cam lock (B), and
tighten by rotating clockwise.



6



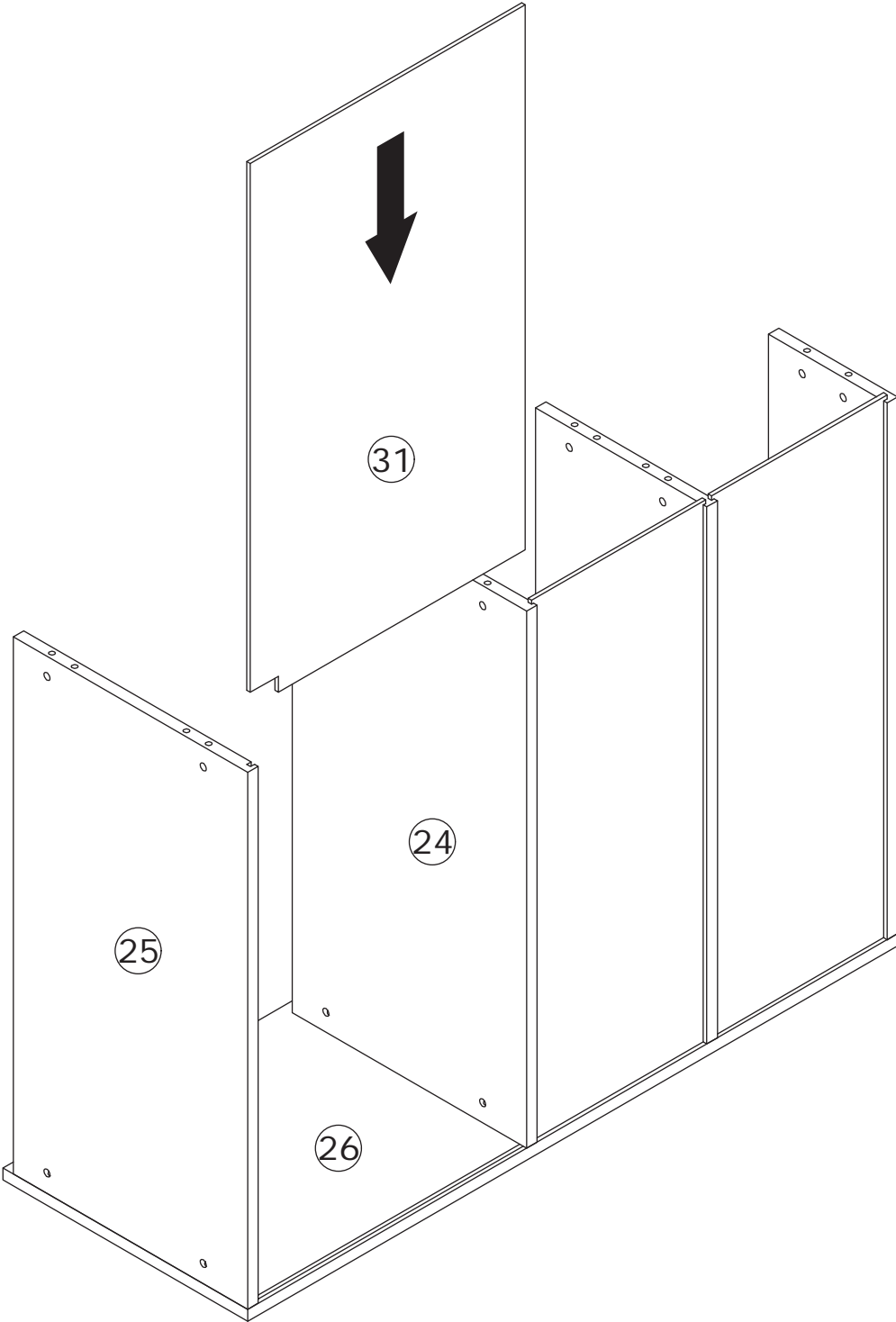
Insert panel 30 along the available slot.



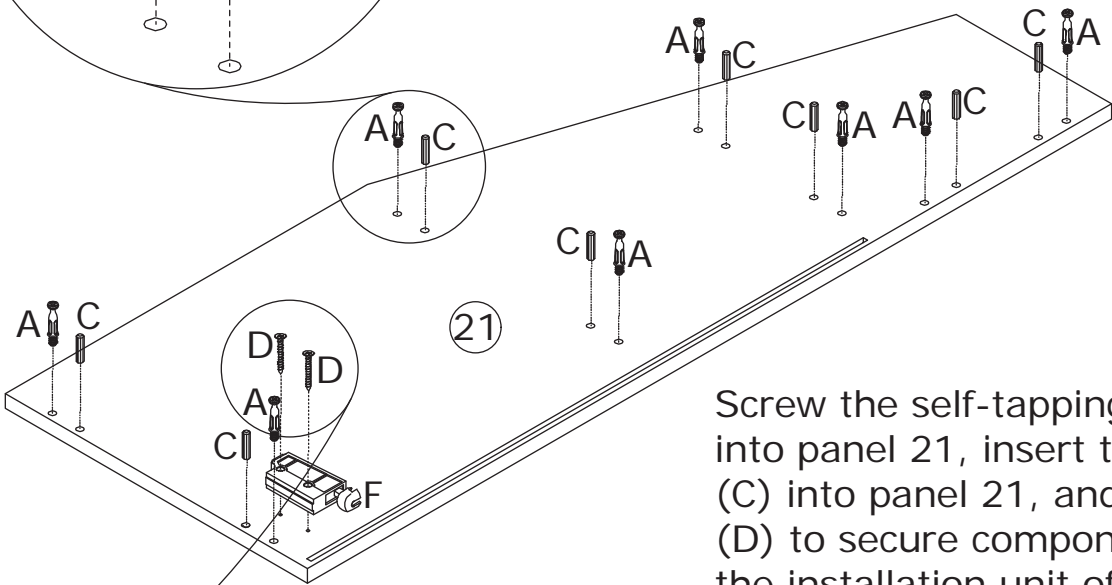
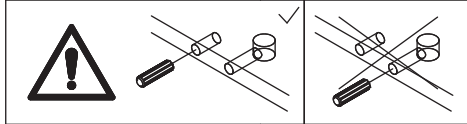
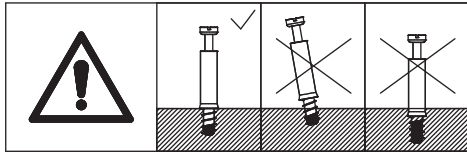
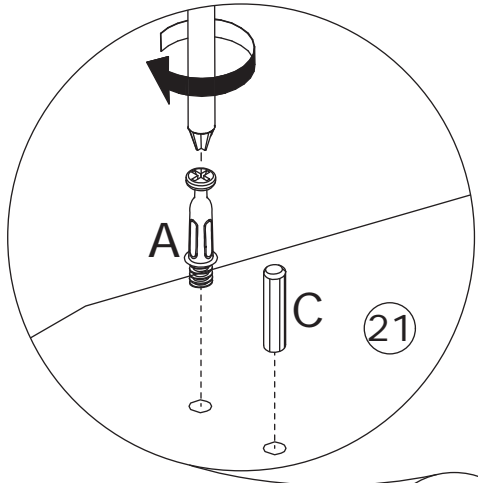
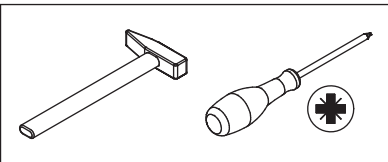
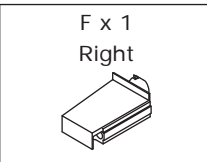
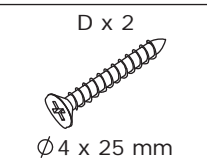
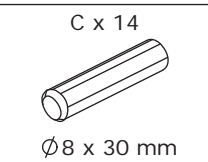
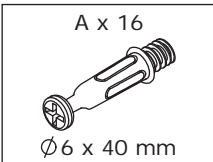
7



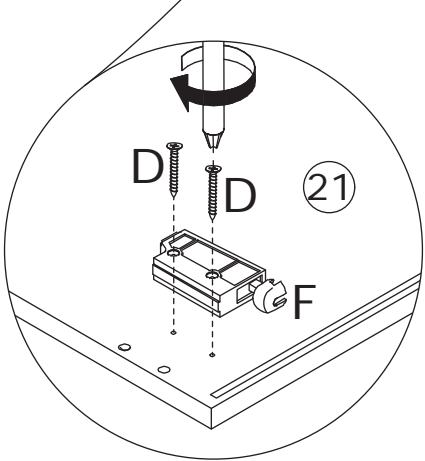
Insert panel 31 along the available slot.



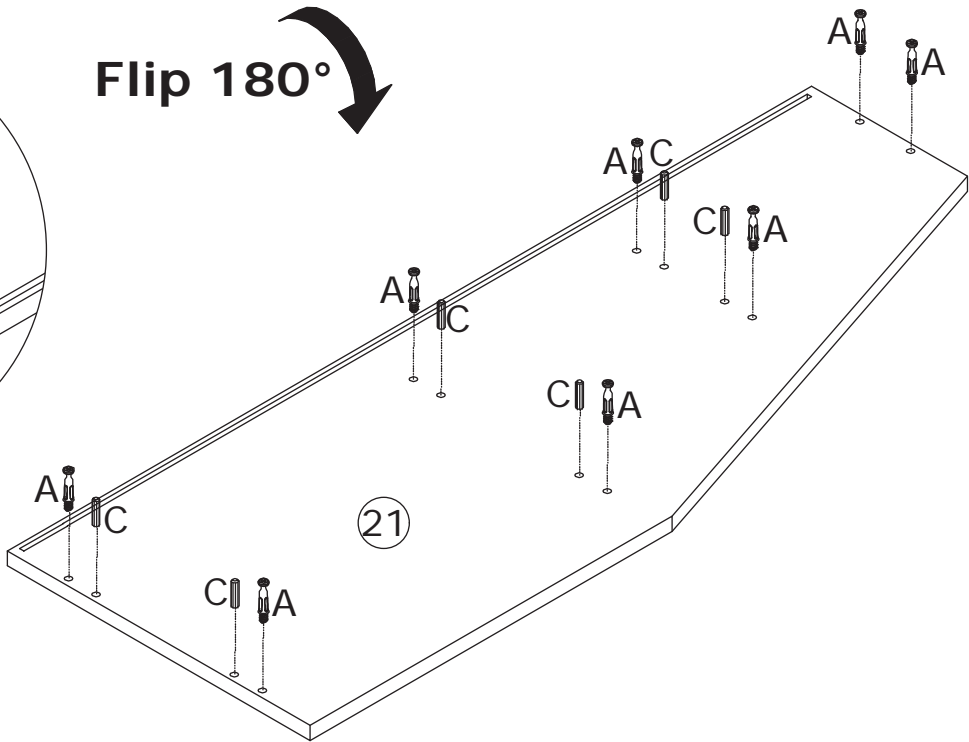
8



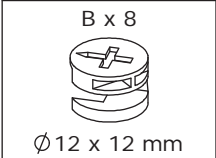
Screw the self-tapping stud (A) into panel 21, insert the dowel (C) into panel 21, and use screw (D) to secure component (F) to the installation unit of panel 21.



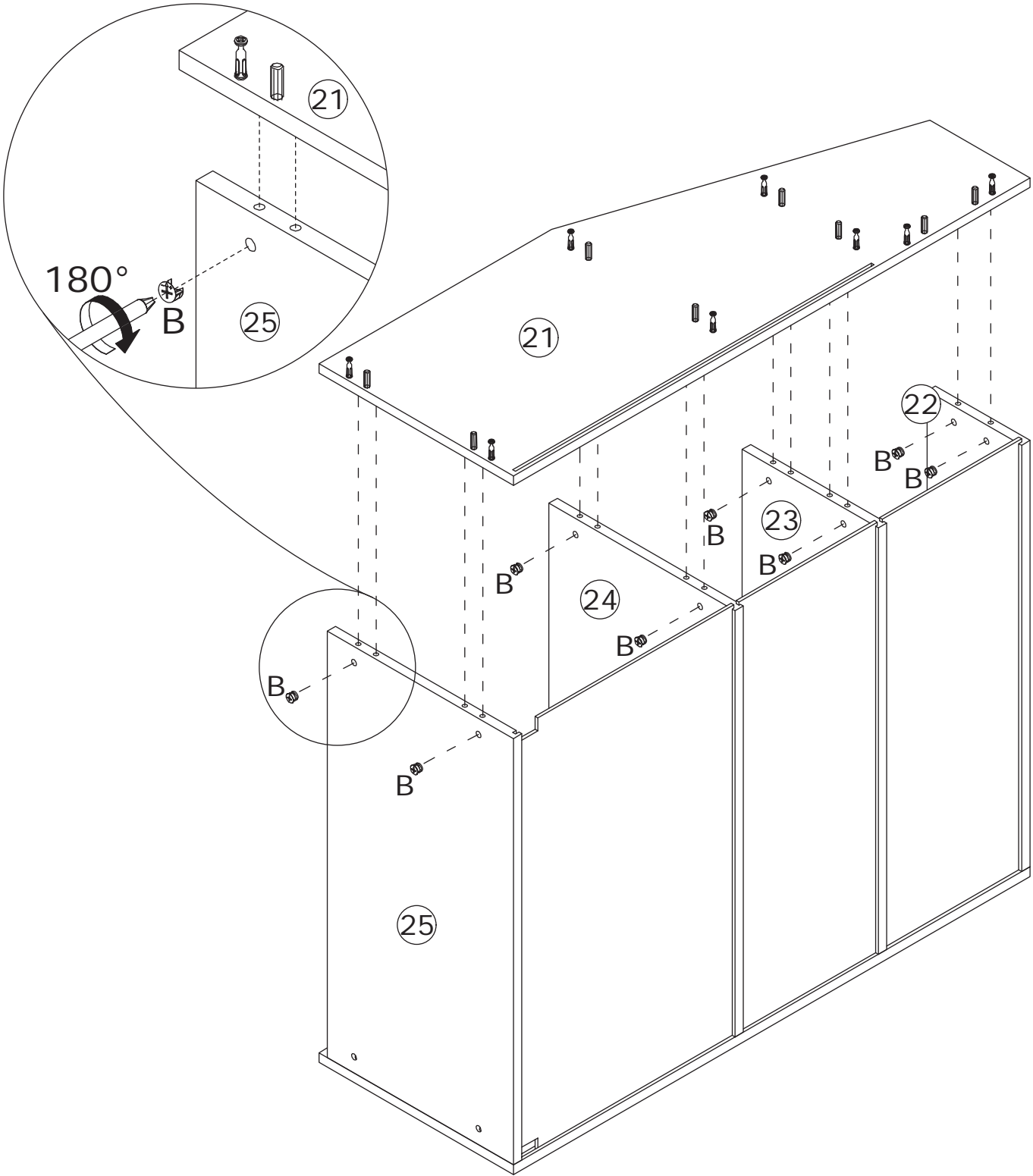
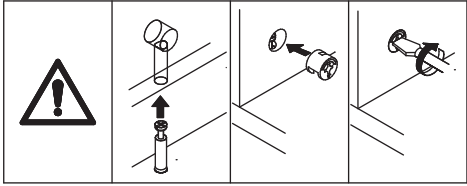
Flip 180°



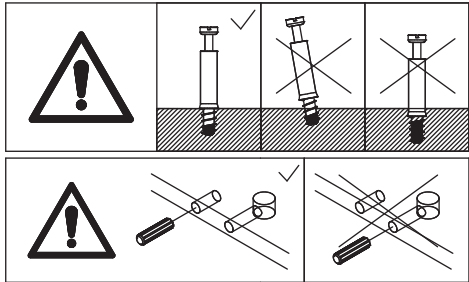
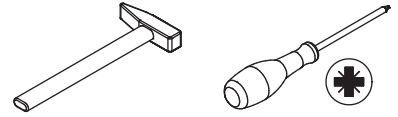
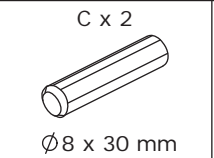
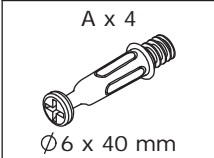
9



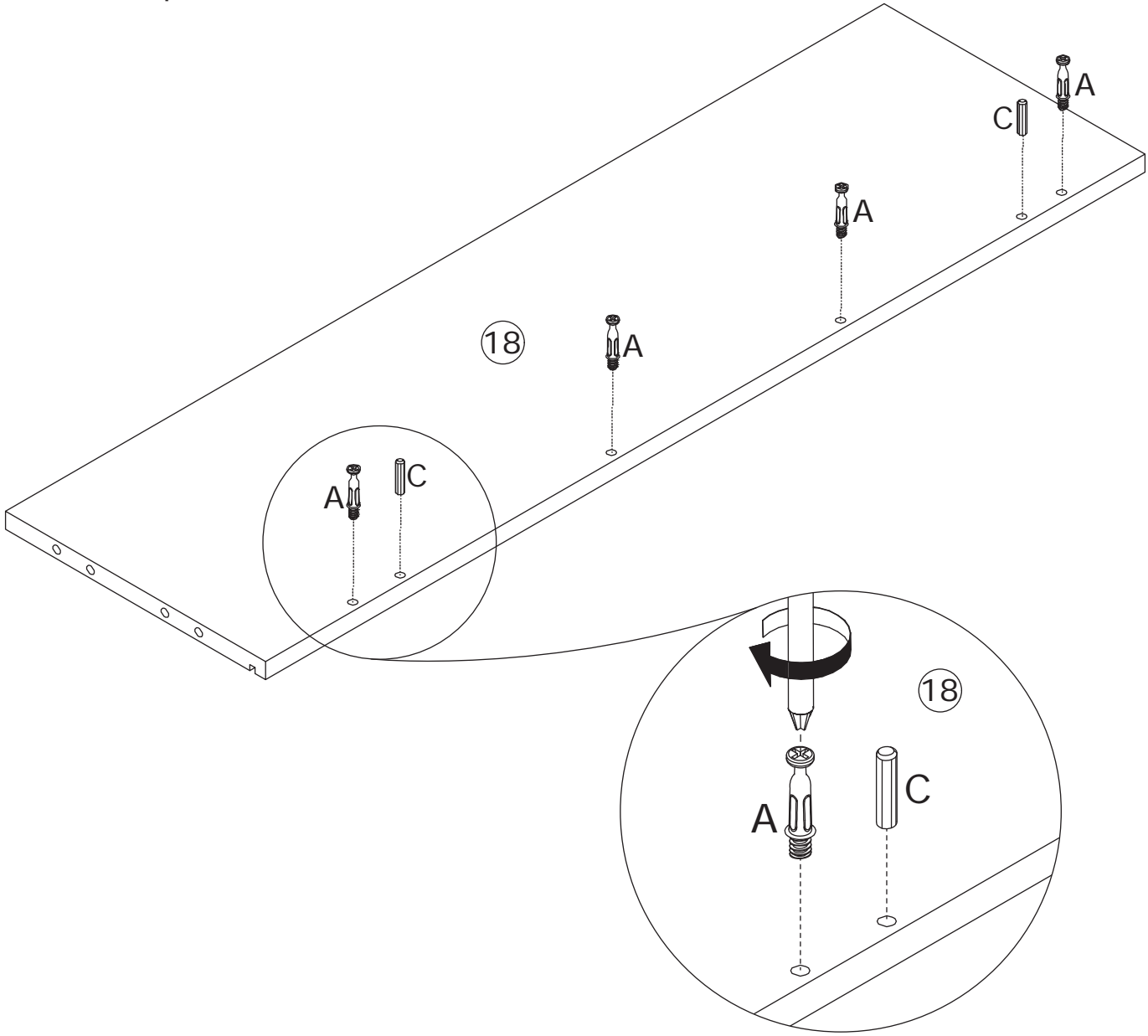
Connect panel 21 to panel 24, panel 25, panel 22 and panel 23, insert the cam lock (B), and tighten by rotating clockwise.



10



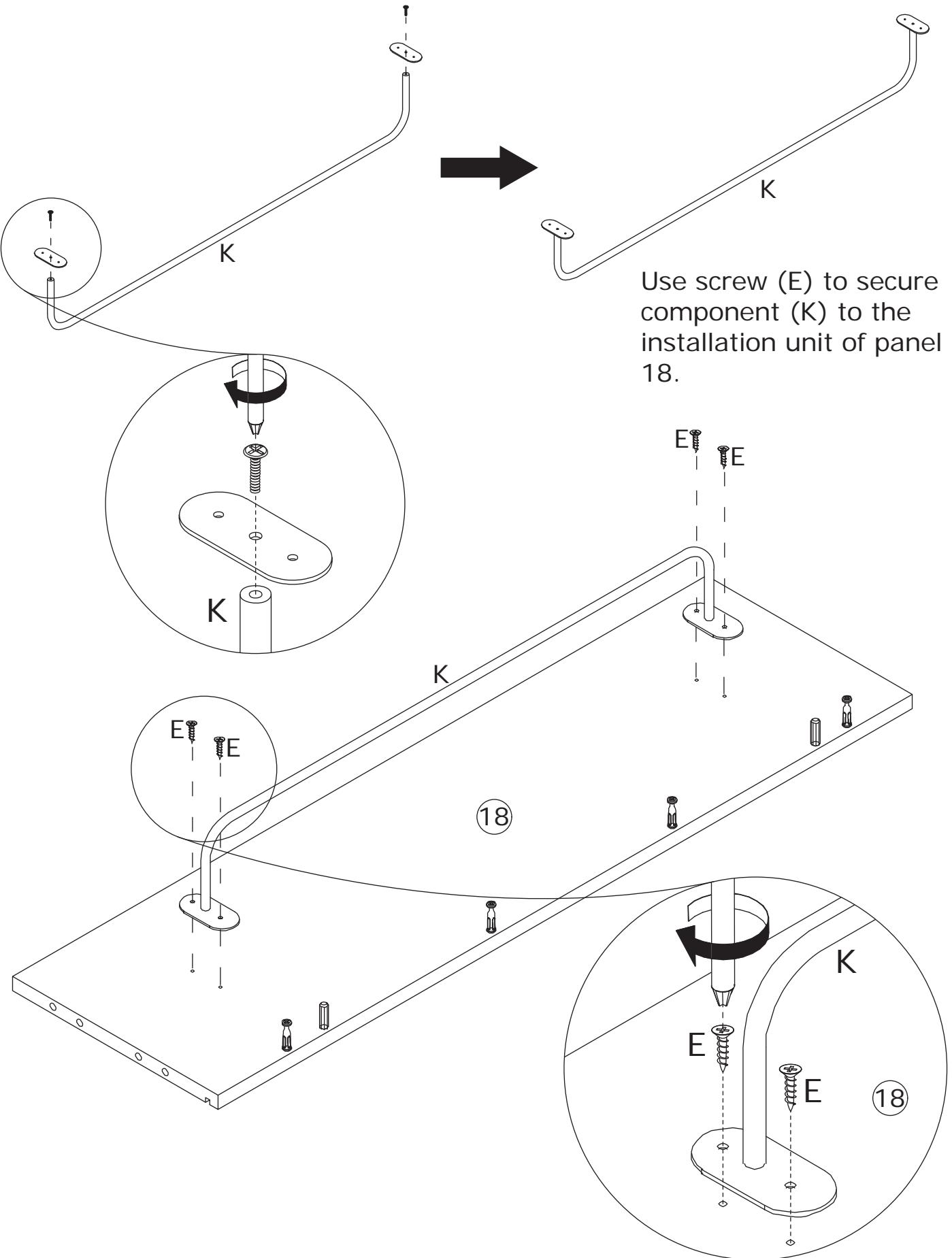
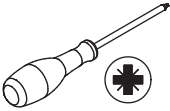
Screw the self-tapping stud (A) into panel 18, and insert the dowel (C) into panel 18.



11

E x 4
Ø3.9 x 16 mm

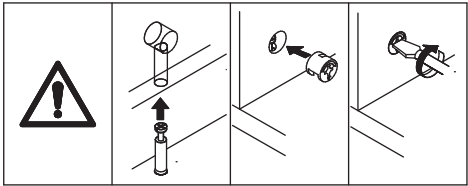
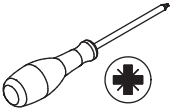
K x 1



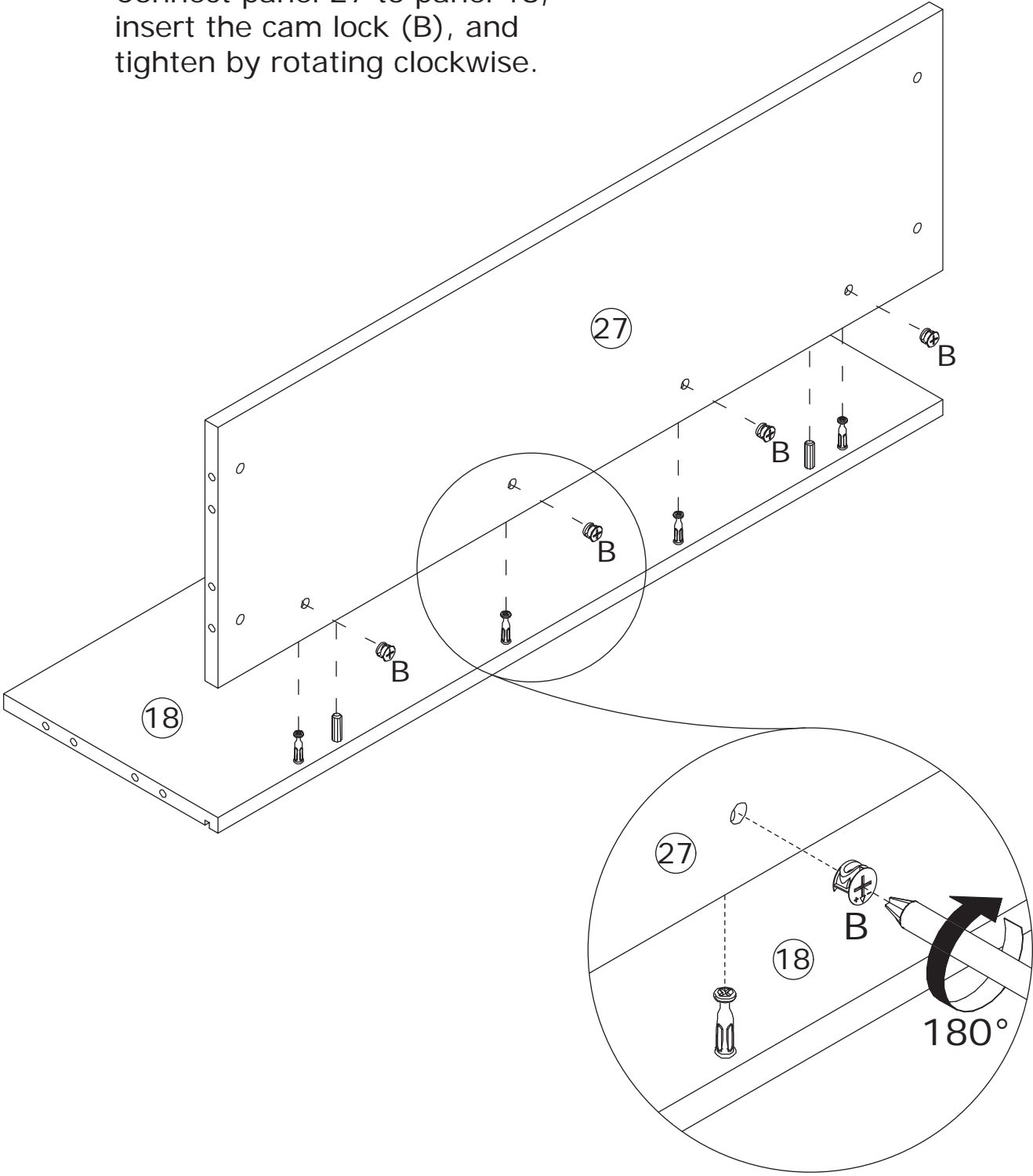
Use screw (E) to secure component (K) to the installation unit of panel 18.

12

B x 4
Ø12 x 12 mm

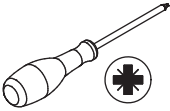


Connect panel 27 to panel 18,
insert the cam lock (B), and
tighten by rotating clockwise.

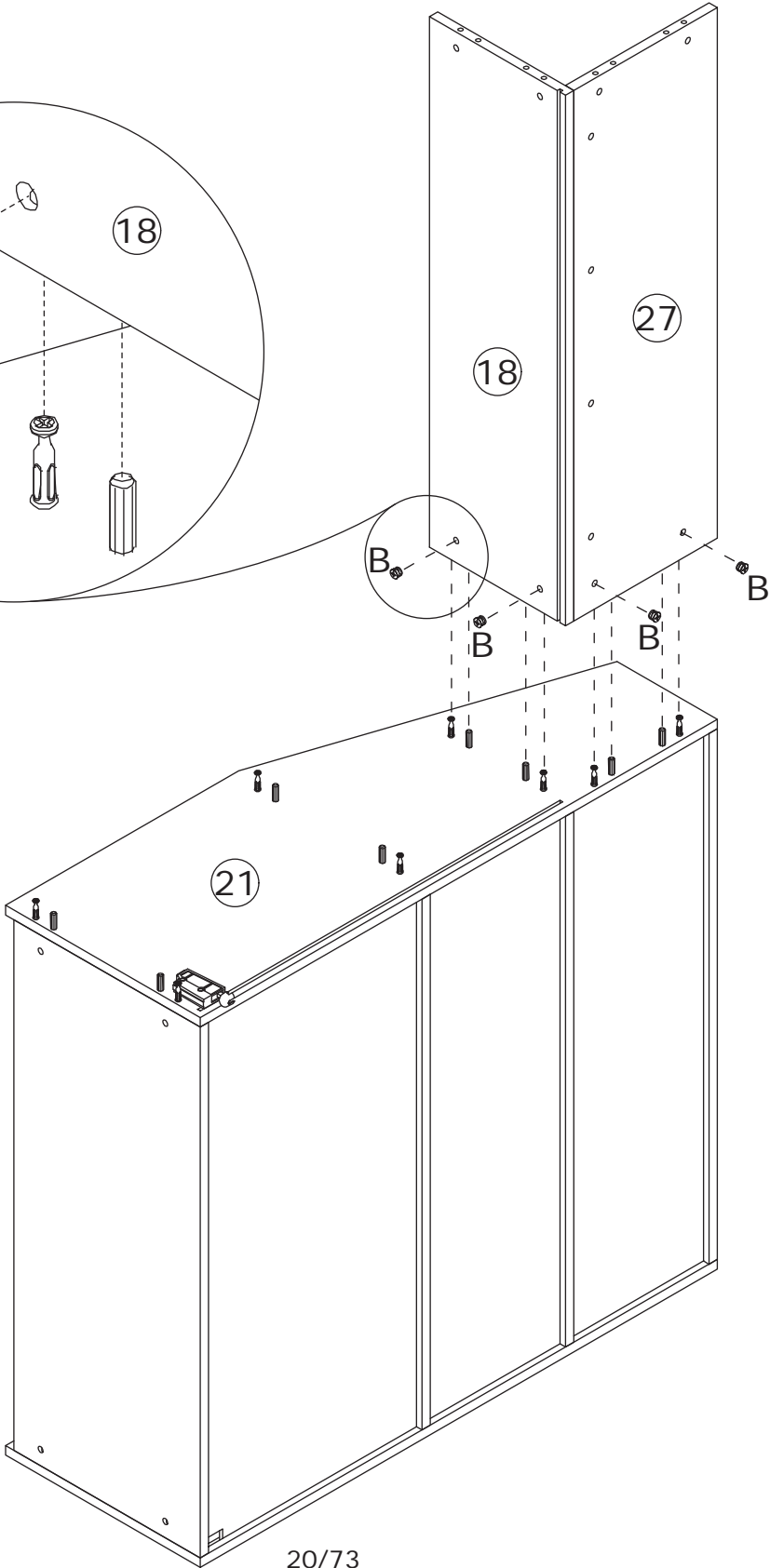
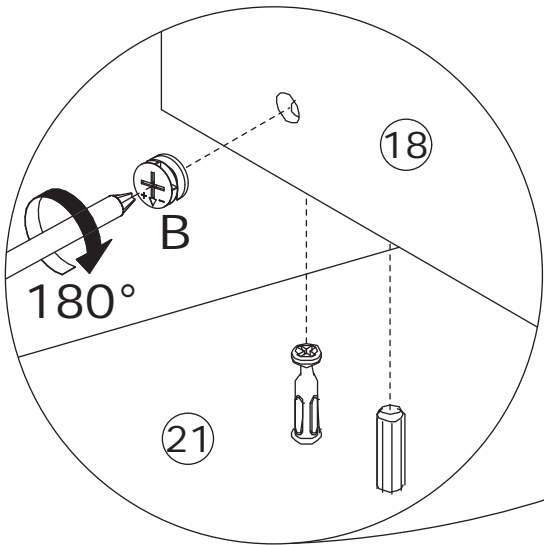
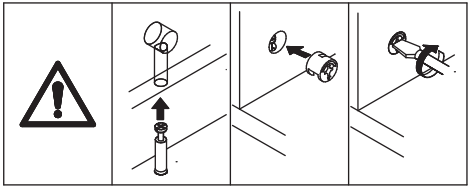


13

B x 4
Ø12 x 12 mm

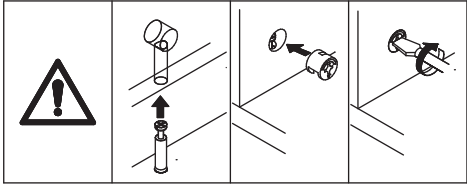
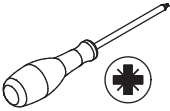


Connect panel 18 and panel 27 to panel 21, insert the cam lock (B), and tighten by rotating clockwise.

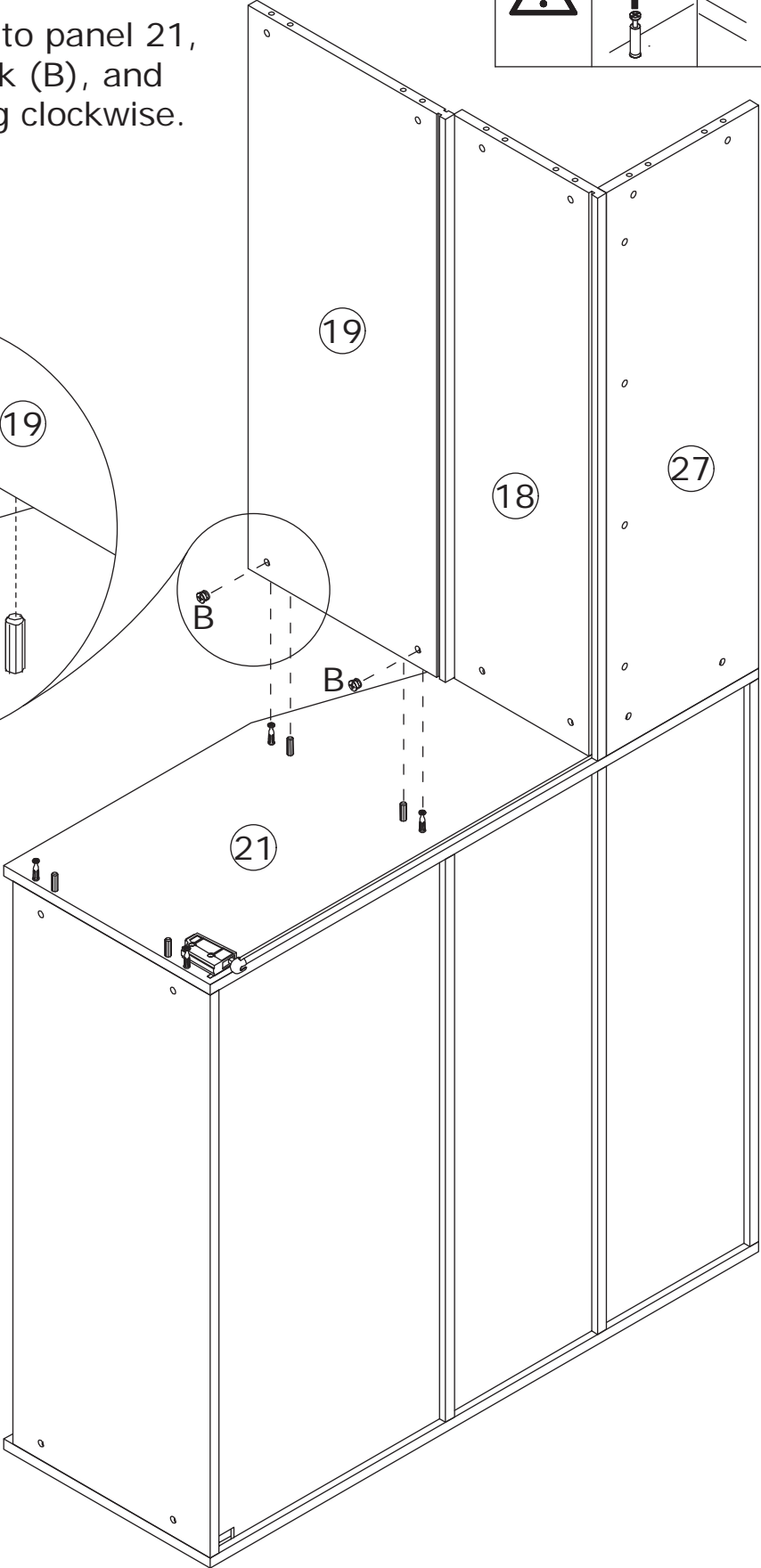
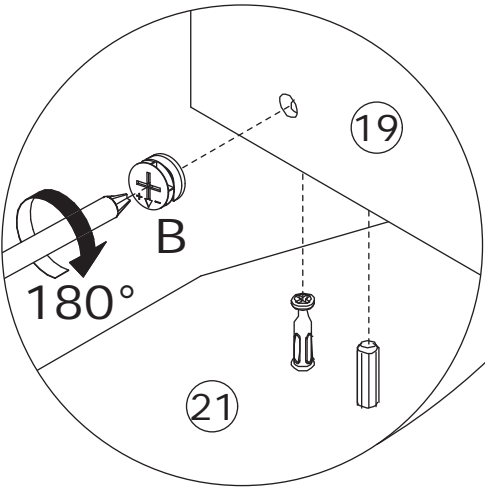


14

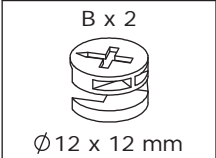
B x 2
Ø 12 x 12 mm



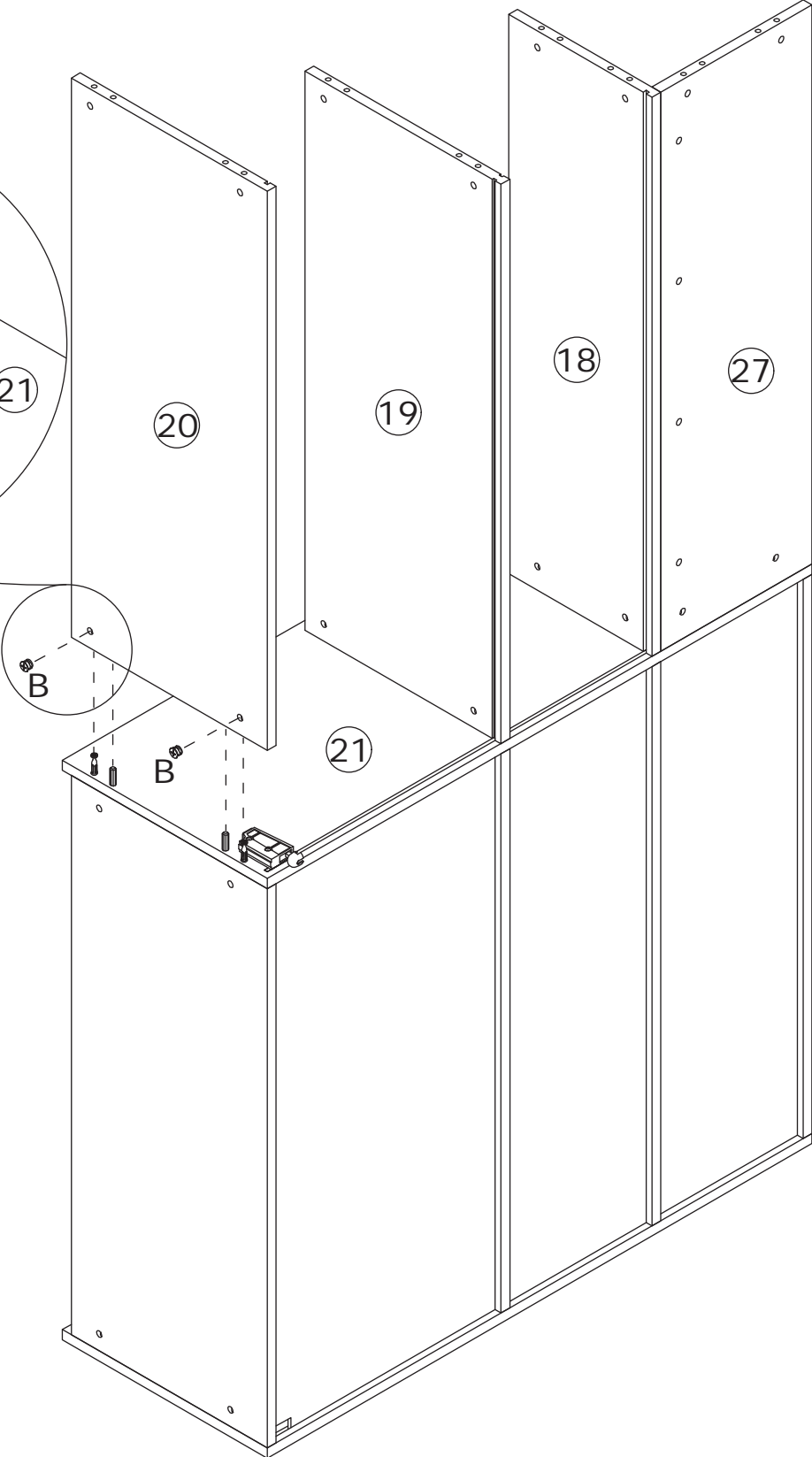
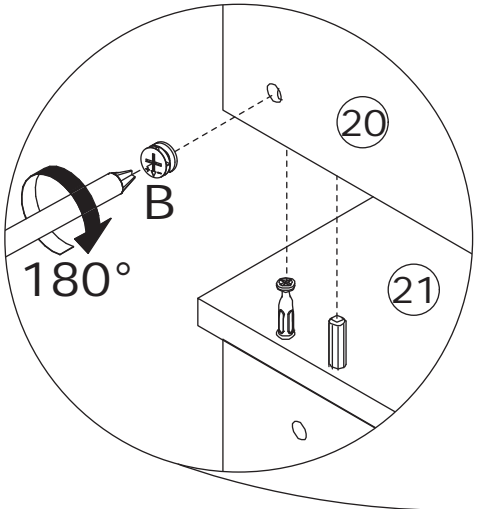
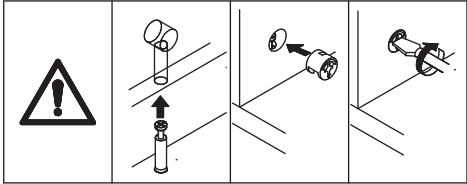
Connect panel 19 to panel 21, insert the cam lock (B), and tighten by rotating clockwise.



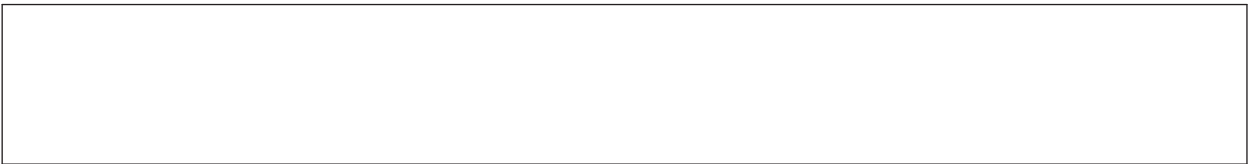
15



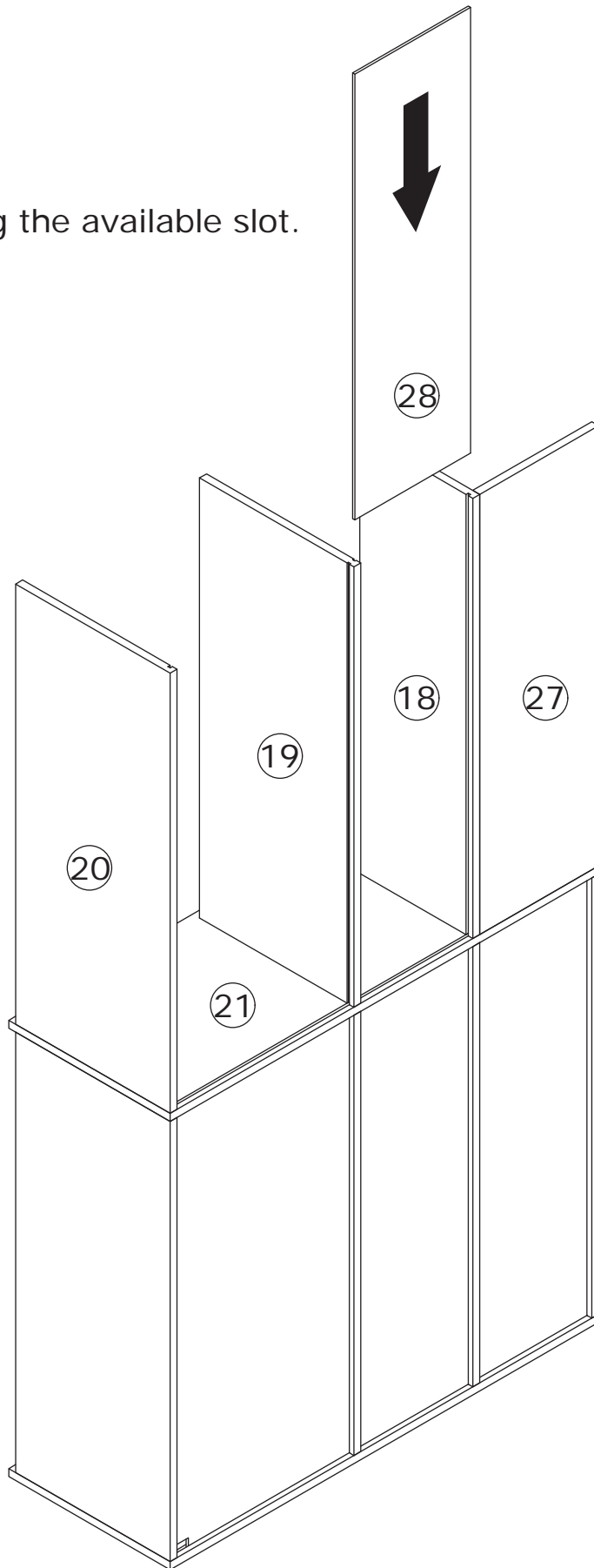
Connect panel 20 to panel 21, insert the cam lock (B), and tighten by rotating clockwise.



16

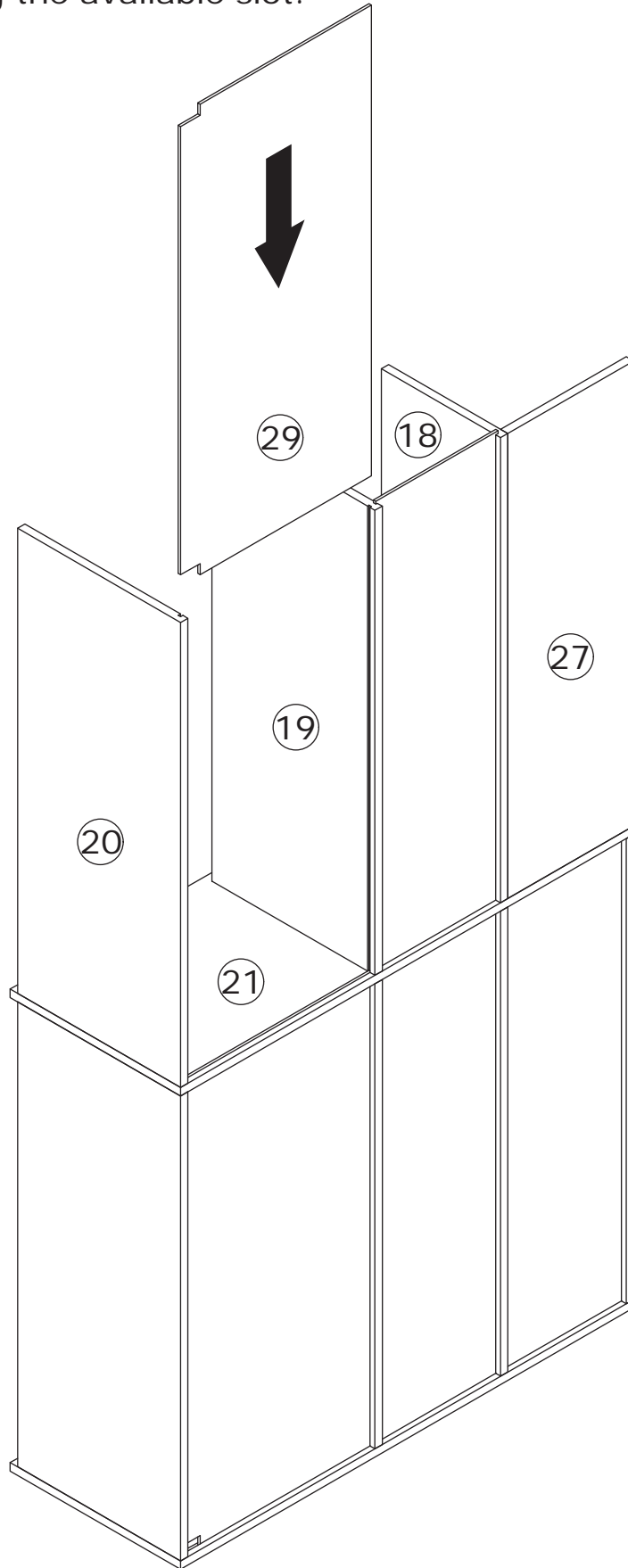


Insert panel 28 along the available slot.

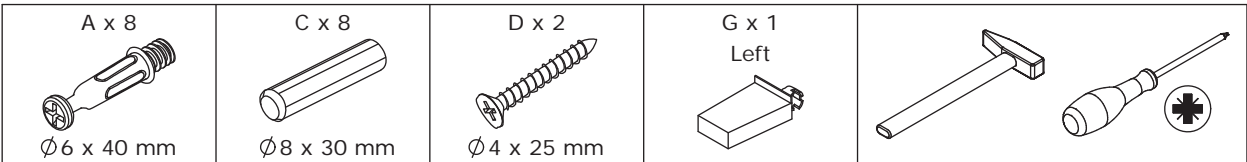


17

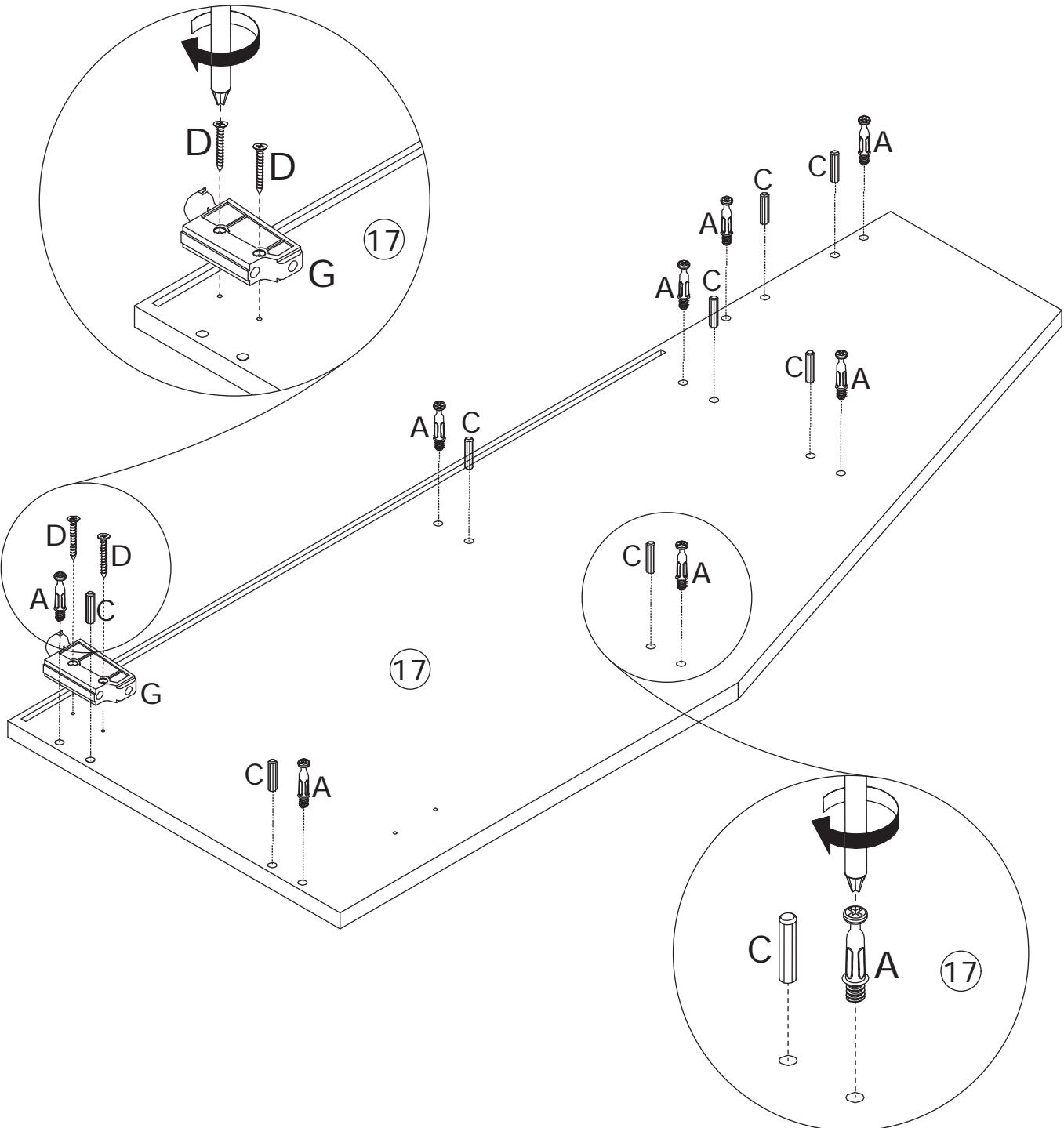
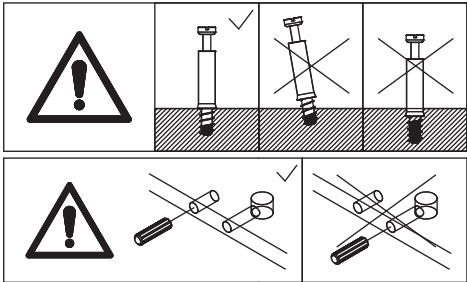
Insert panel 28 along the available slot.



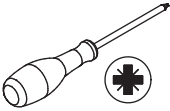
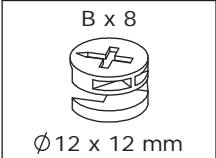
18



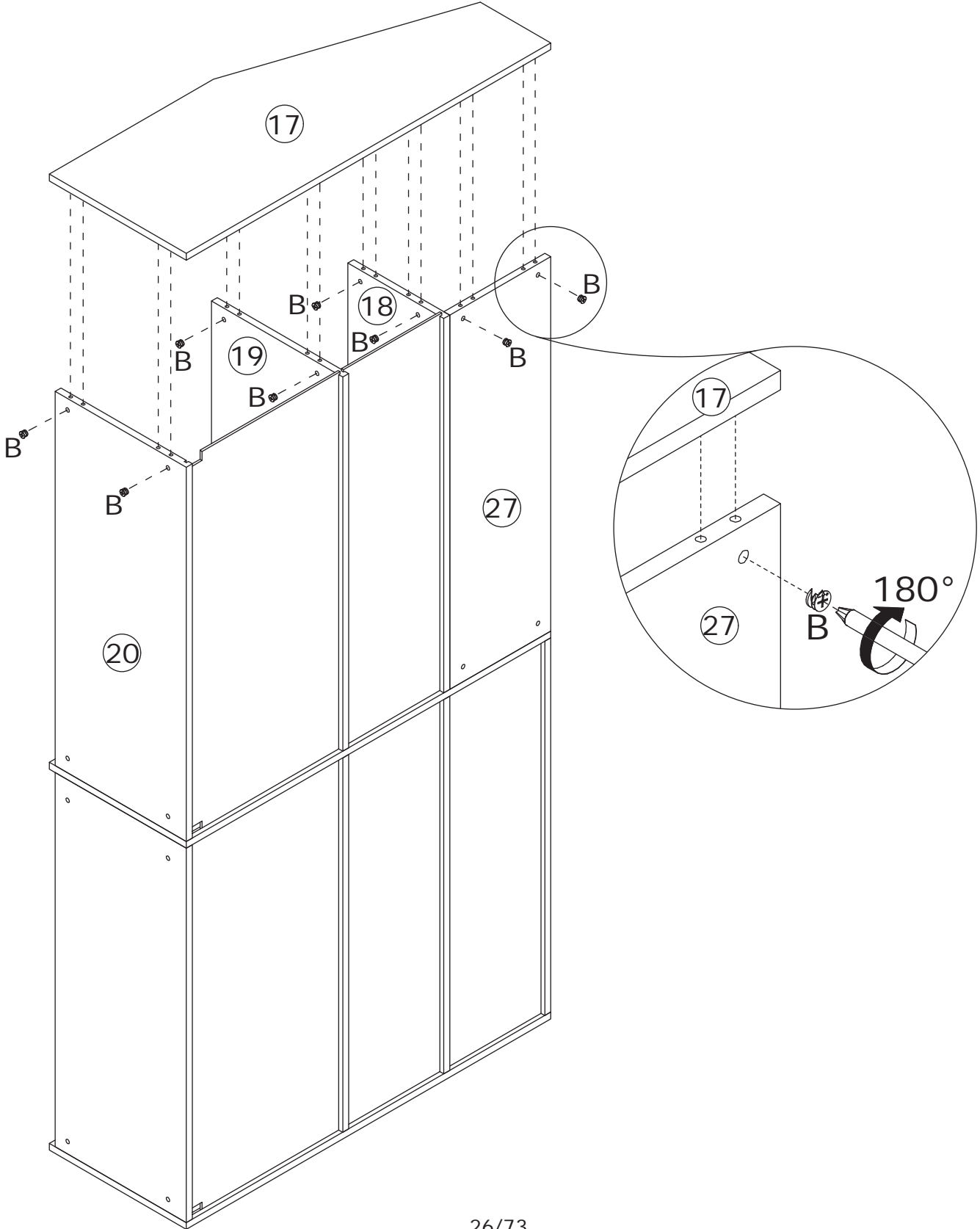
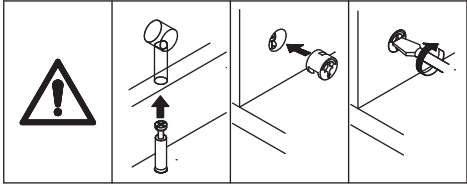
Screw the self-tapping stud (A) into panel 17, insert the dowel (C) into panel 17, and use screw (D) to secure component (G) to the installation unit of panel 17.



19



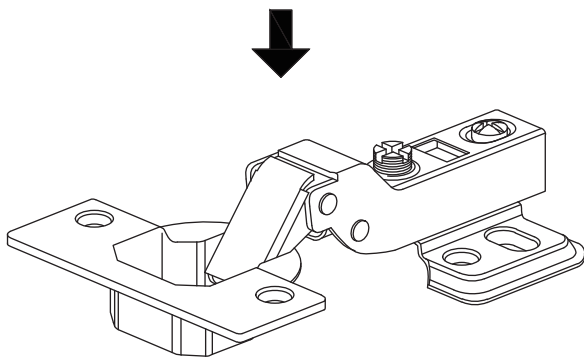
Connect panel 17 to panel 20, panel 19, panel 18 and panel 27, insert the cam lock (B), and tighten by rotating clockwise.



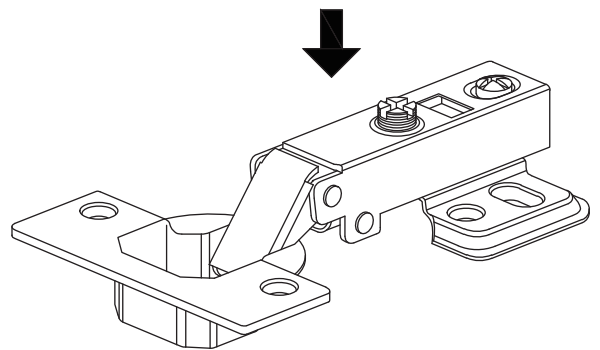


Pay attention to the difference between the middle parts of the two types of door hinges.

- The curved door hinges(O) are used on the outermost door plates
- And the full coverage door hinges(N) are used on the door panel in the middle of the cabinet.




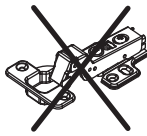
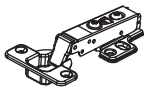
O

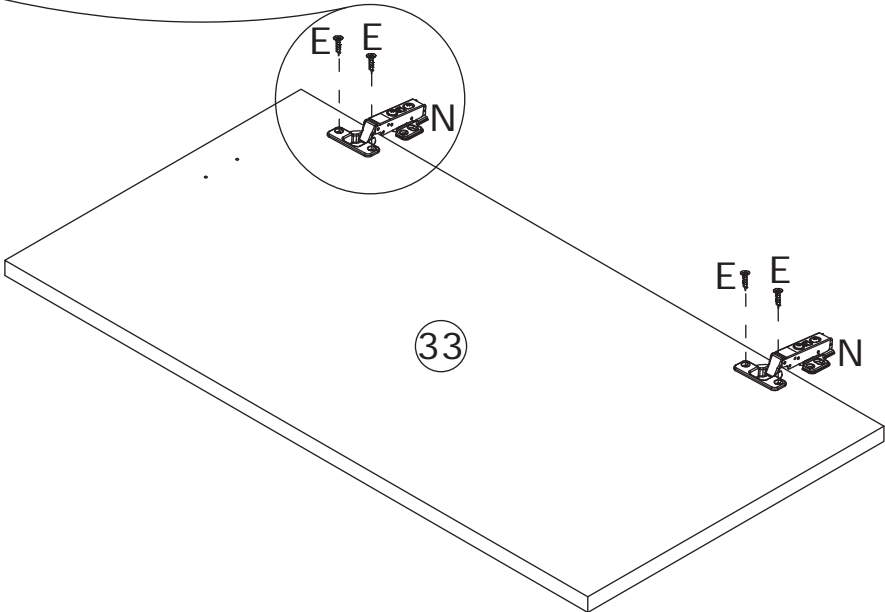
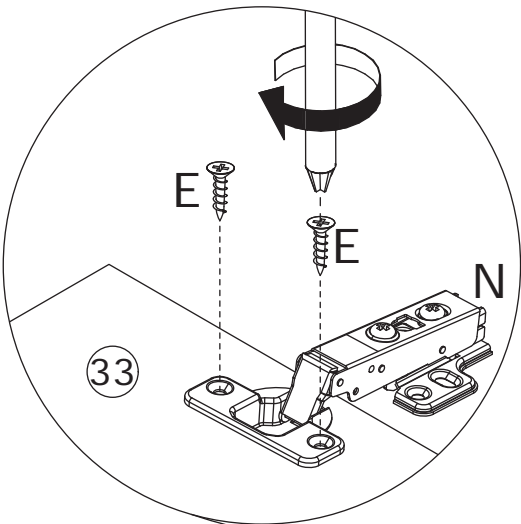
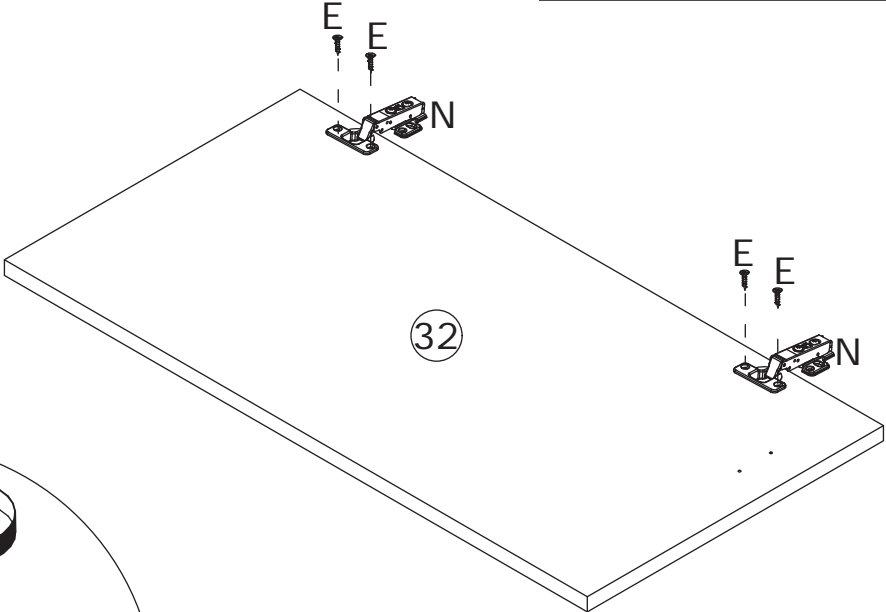


N

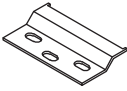
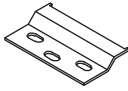
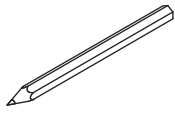
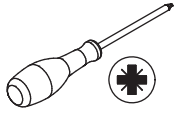
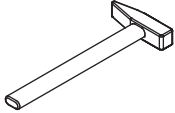



21

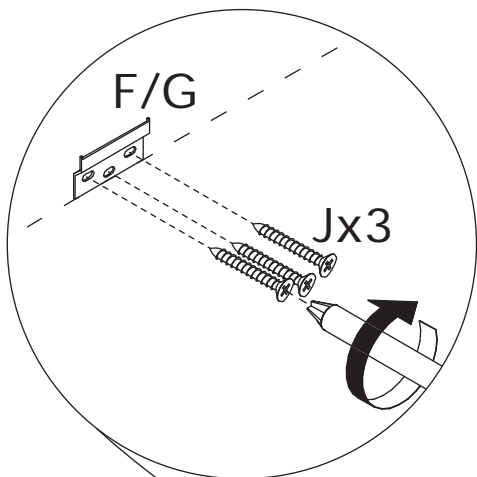
<p>E x 8</p>  <p>Ø 3.9 x 16 mm</p>	<p>N x 4</p> 	
---	--	---

	<p>O</p> 	<p>N</p> 
---	--	--

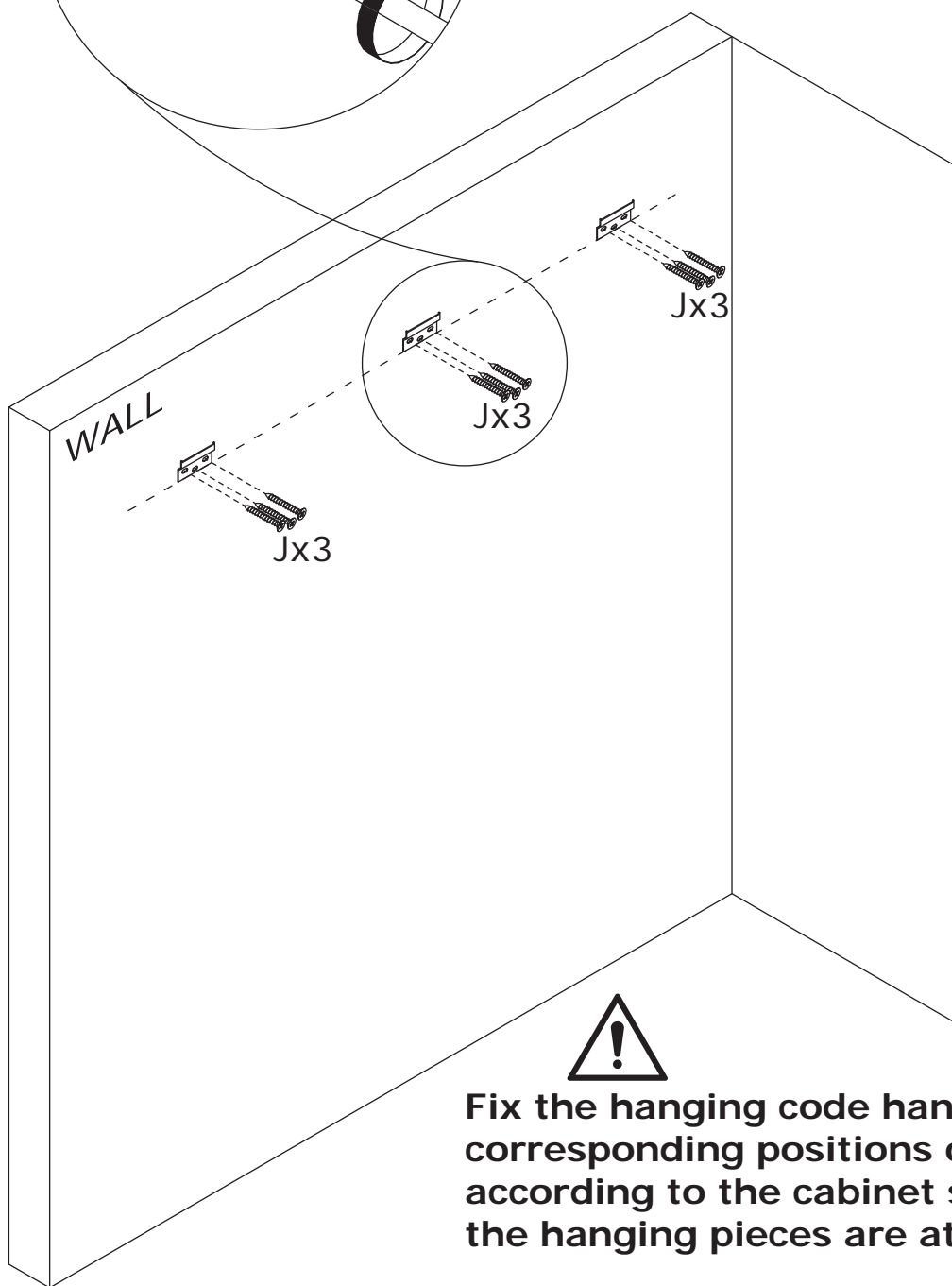
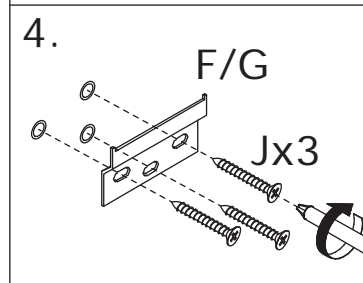
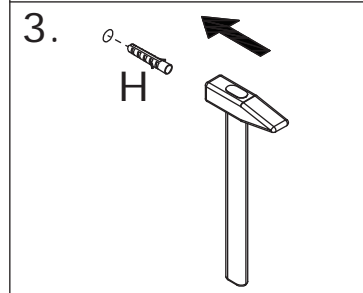
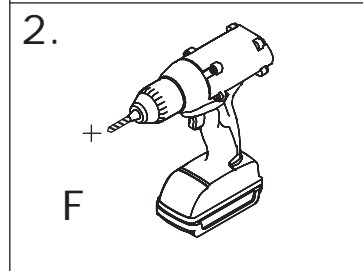
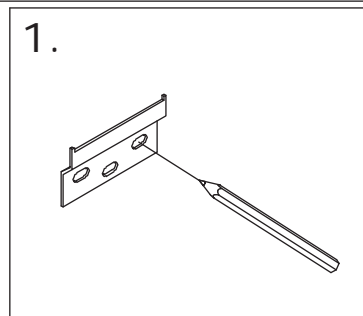


22

F x 2 	G x 1 				
H x 9  Ø8 x 60 mm	J x 9  Ø5 x 60 mm				



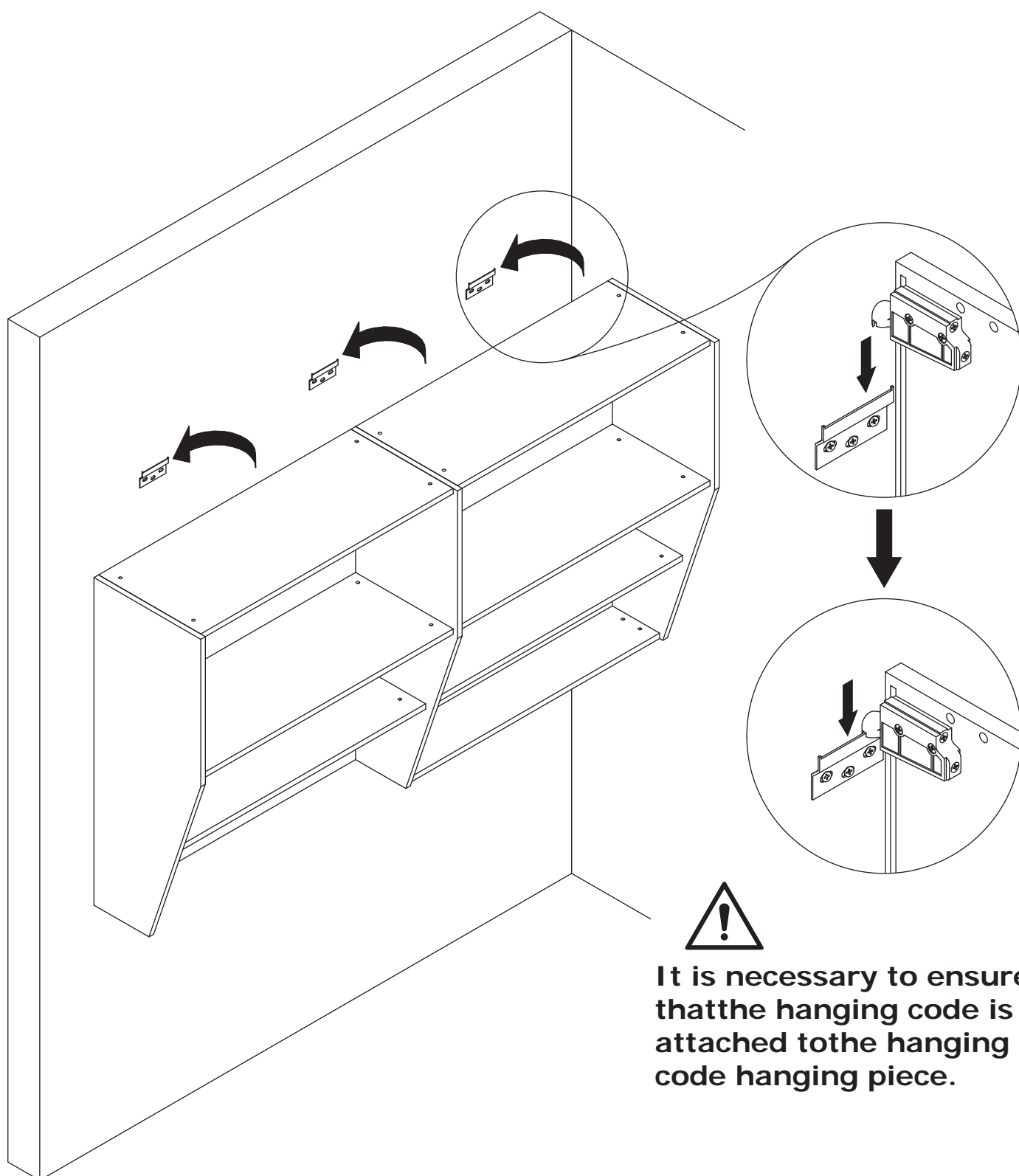
Use screws (H) and (J) to secure the cabinet hanger to the installation unit.



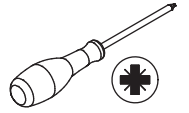
Fix the hanging code hanging pieces at the corresponding positions on the wall according to the cabinet size, ensuring that the hanging pieces are at the same height.

23

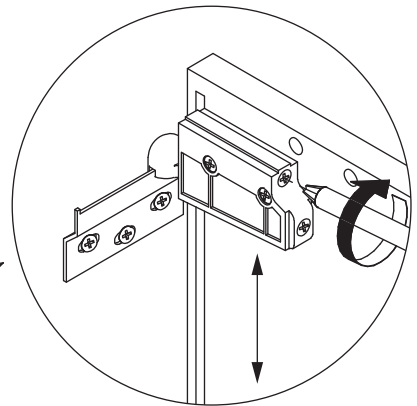
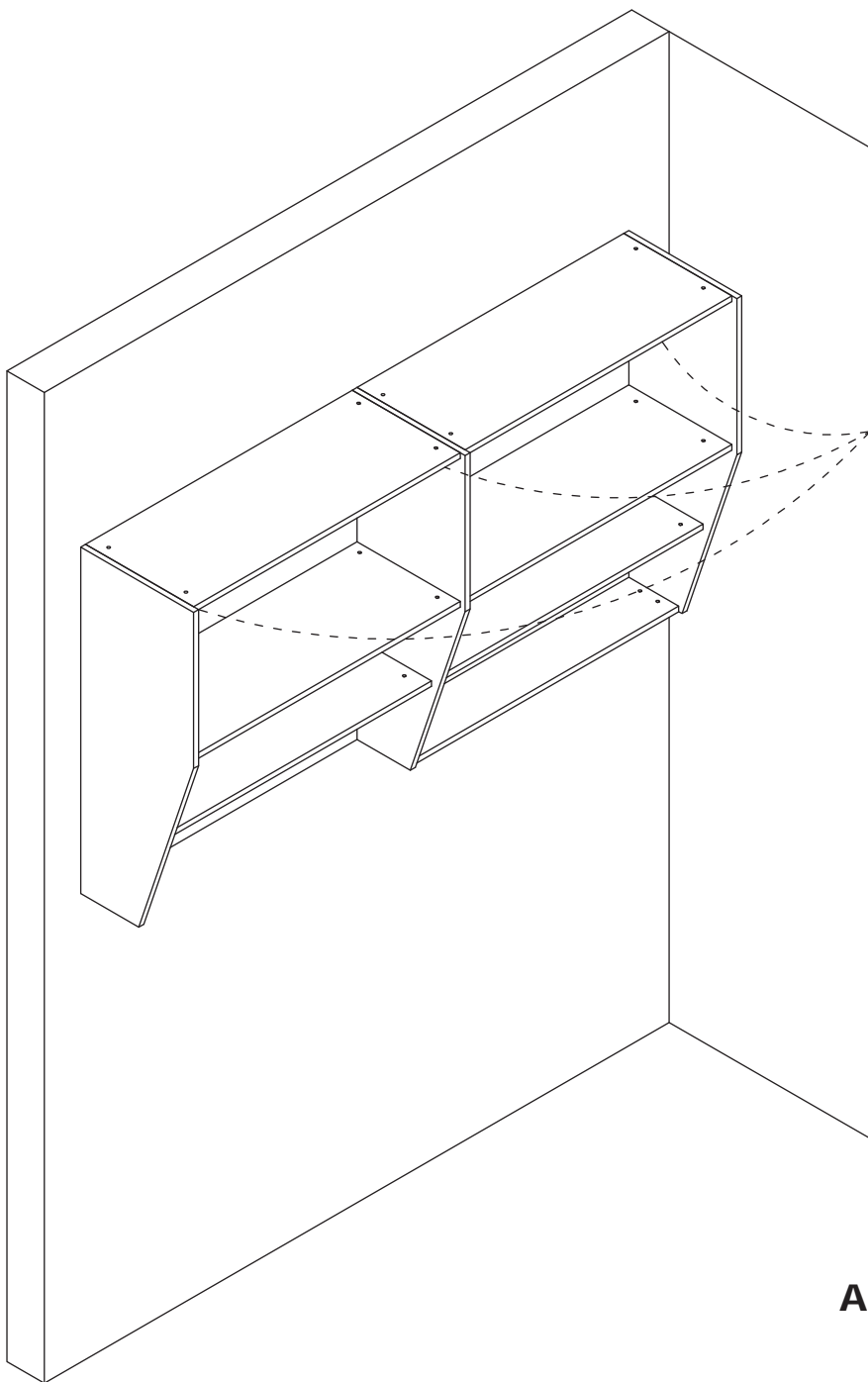
Hang the wall cabinet on the cabinet hanger.



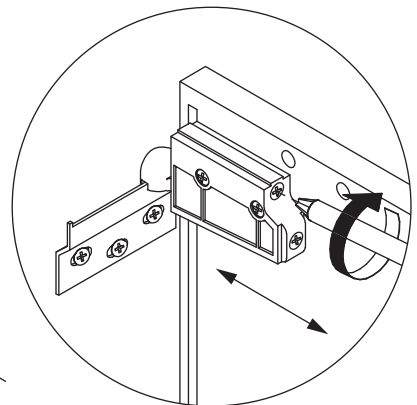
24



Adjust the cabinet height and front/rear position via components (F) and (G).



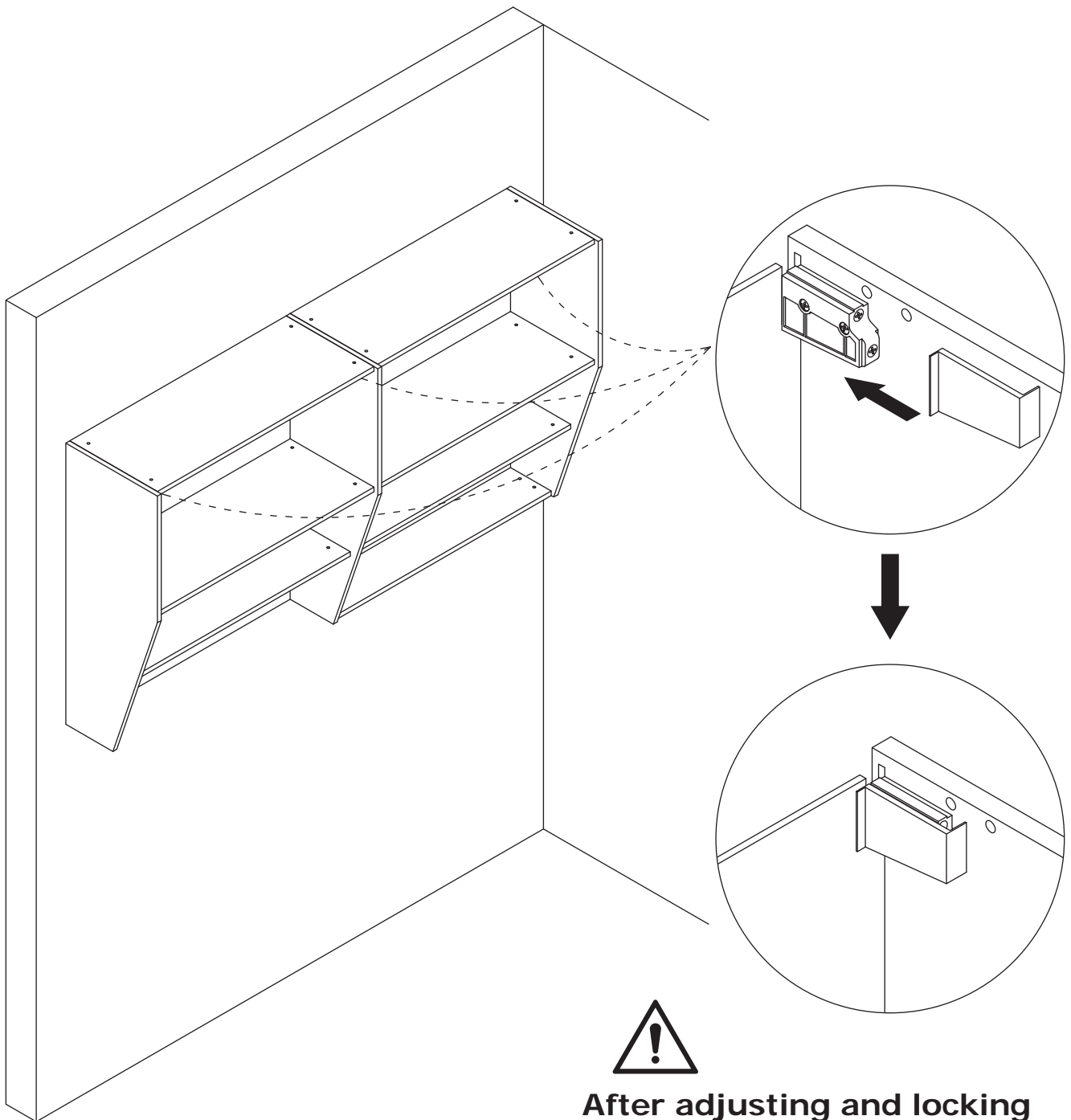
Adjust up and down



Adjust before and after

25

Install decorative covers for components (F) and (G).



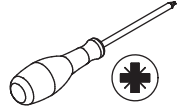
After adjusting and locking the hanging code, cover the hanging code decorative cover

26

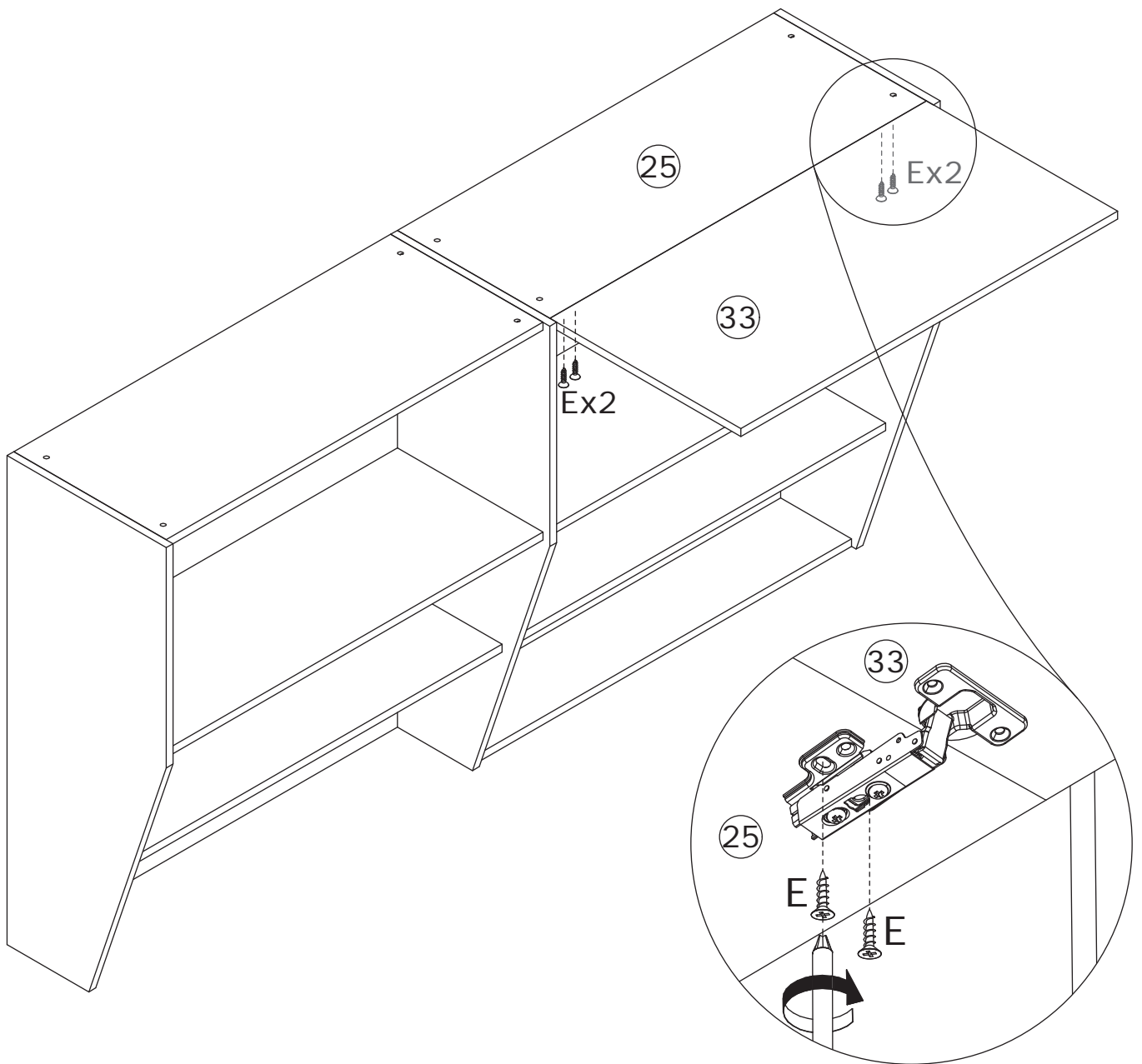
E x 4



Ø3.9 x 16 mm

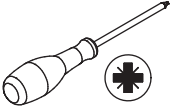


Use screw (E) to secure panel 33 to the installation unit.

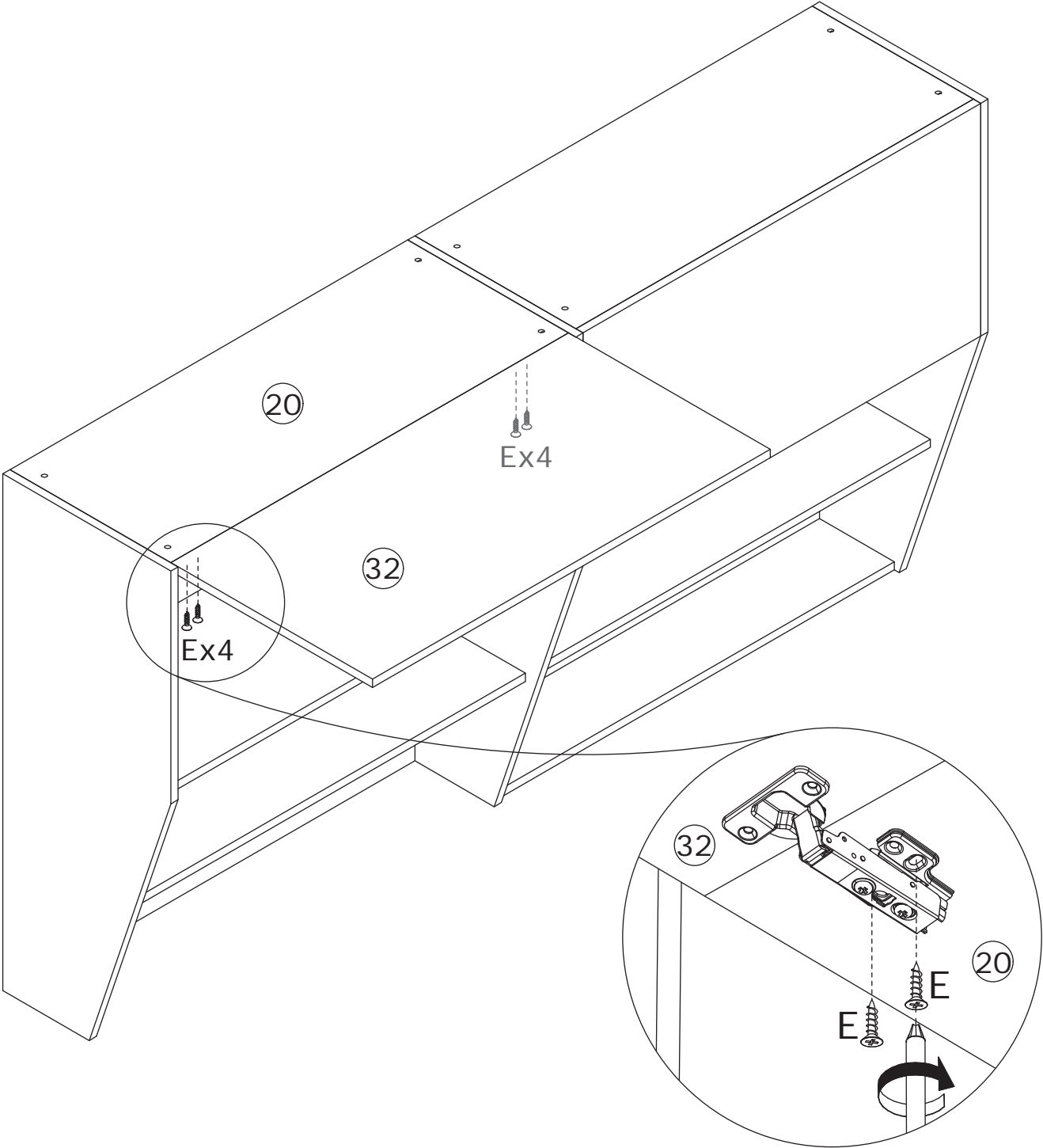


27

E x 4
Ø3.9 x 16 mm



Use screw (E) to secure panel 32 to the installation unit.



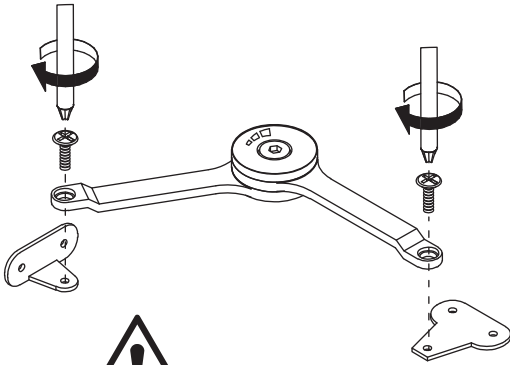
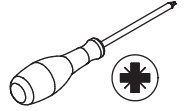
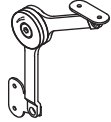
28

E x 4

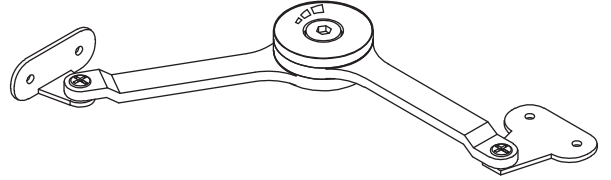


Ø3.9 x 16 mm

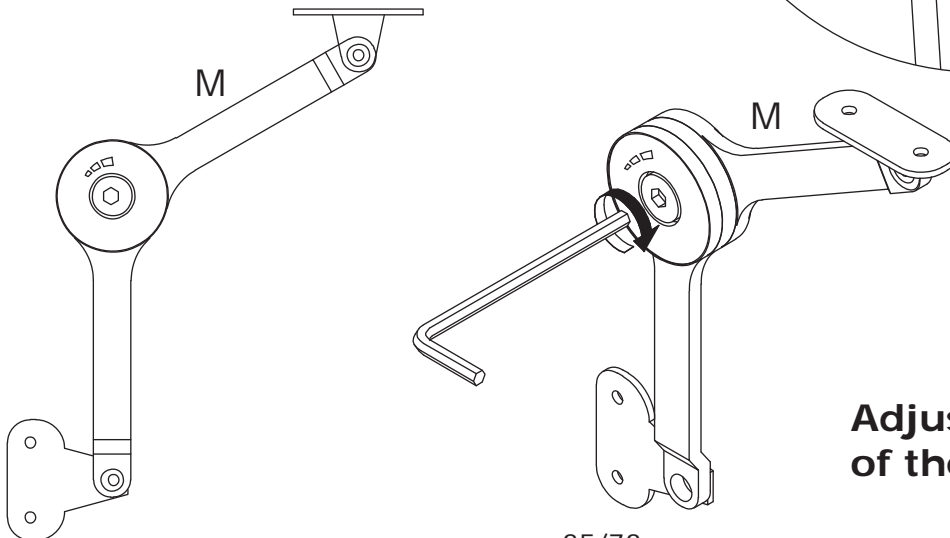
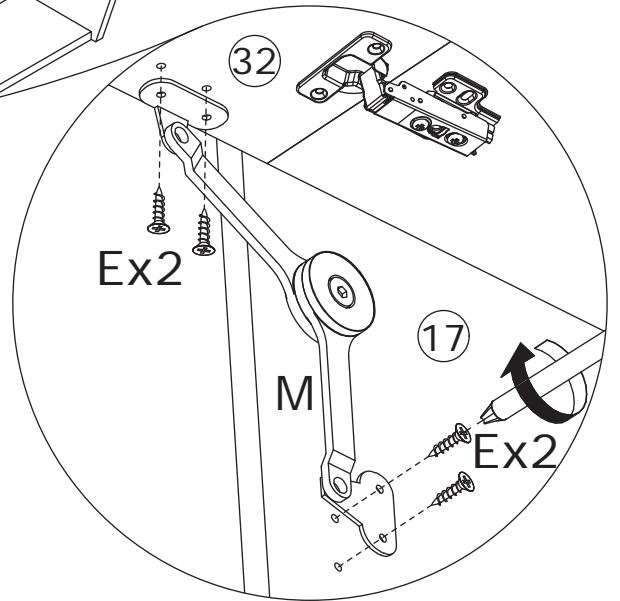
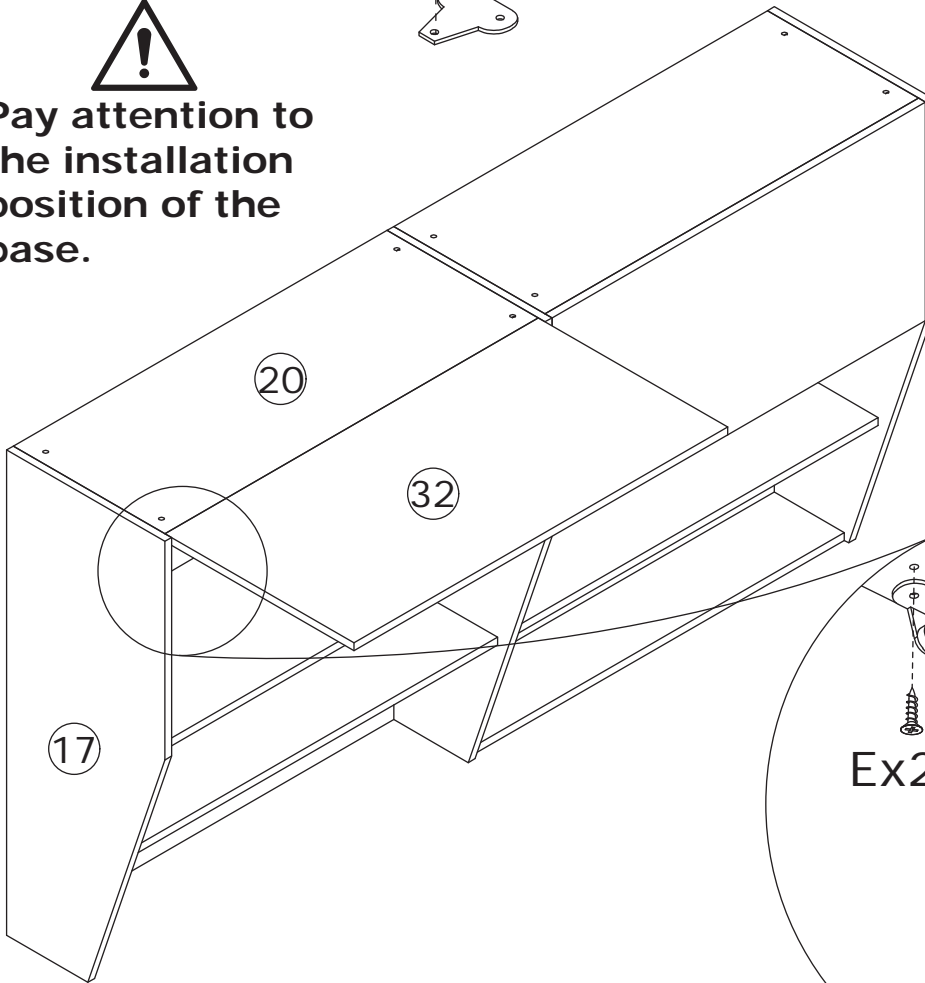
M x 1



Use screw (E) to secure component (M) to the installation unit.



Pay attention to the installation position of the base.

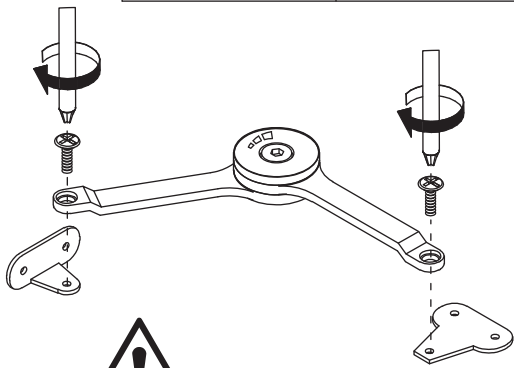


Adjust the strength of the support

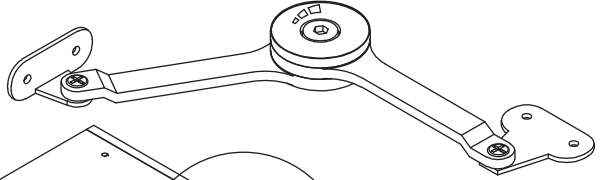
29

E x 4
Ø 3.9 x 16 mm

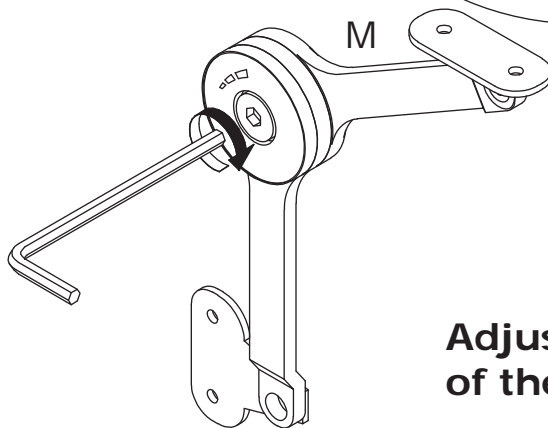
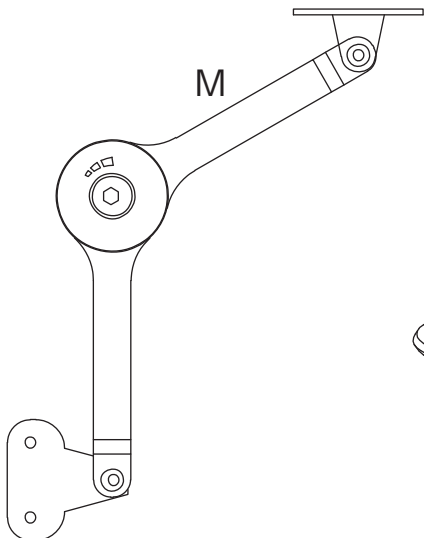
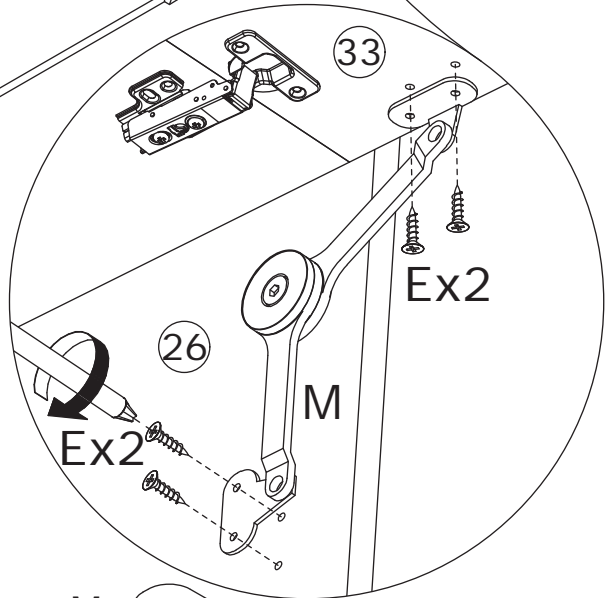
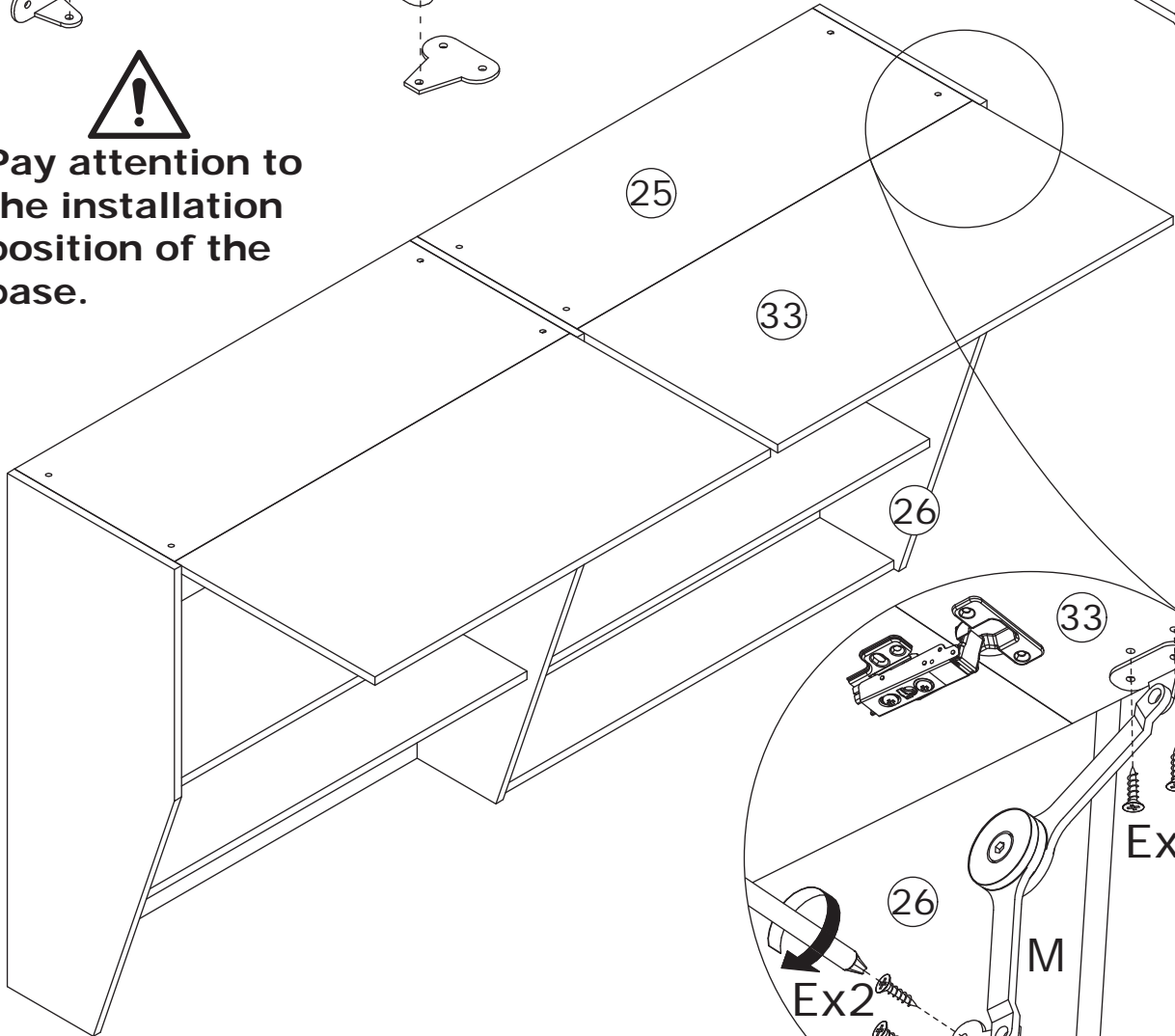
M x 1



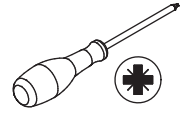
Use screw (E) to secure component (M) to the installation unit.



Pay attention to the installation position of the base.



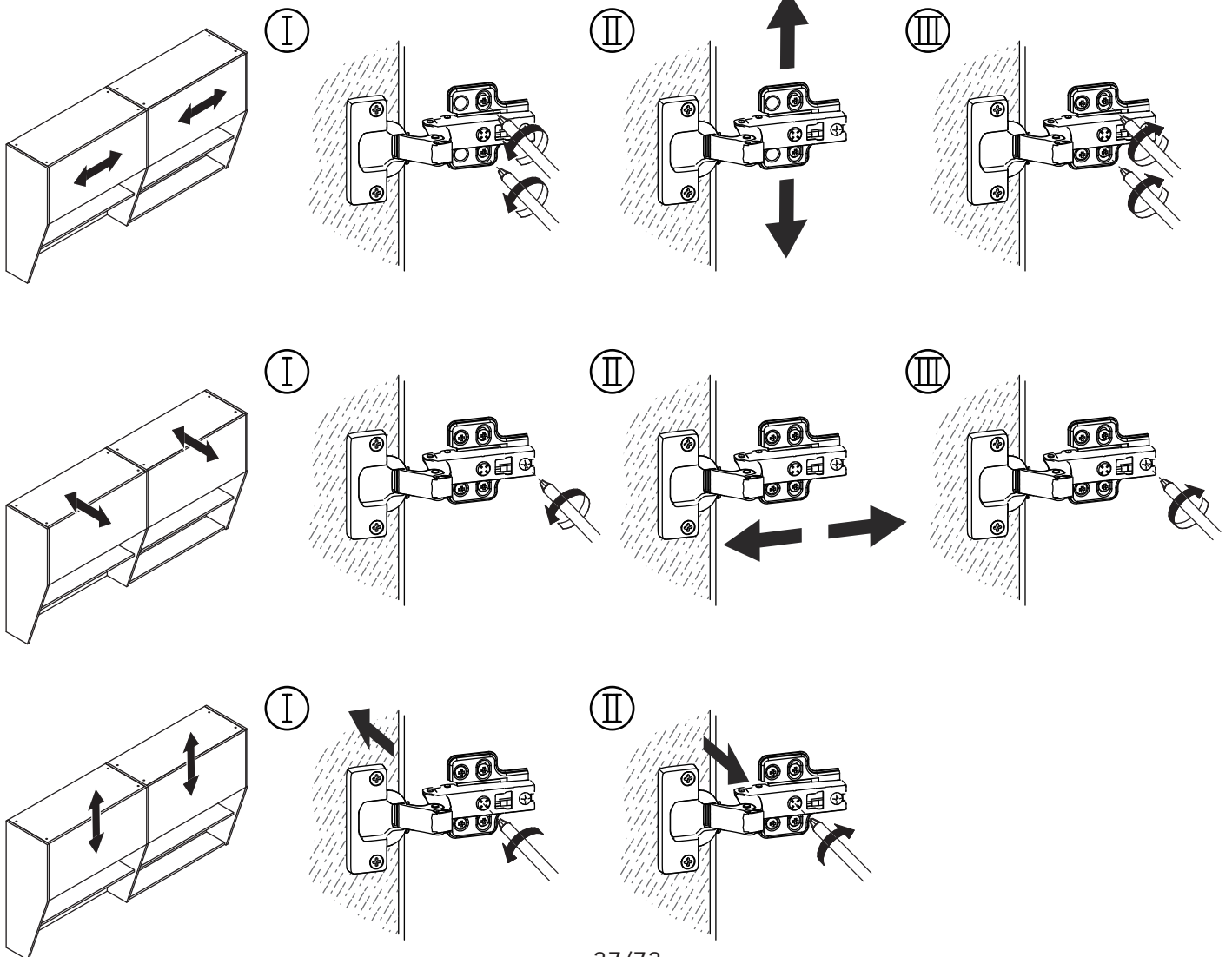
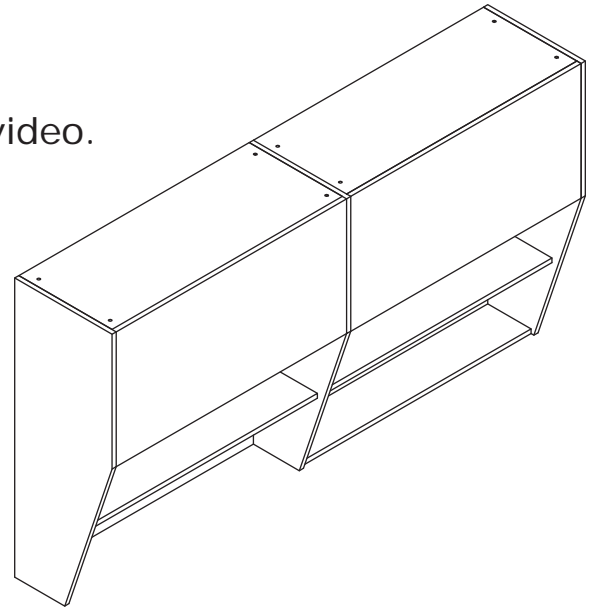
Adjust the strength of the support



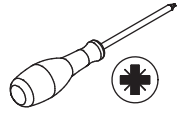
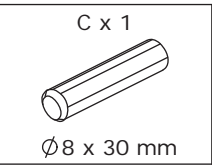
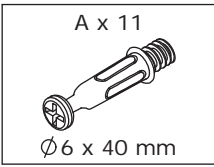
If doors are still not aligned if the hinges are properly correctly, please watch the video.

<https://youtu.be/n0Lb36SoODM>

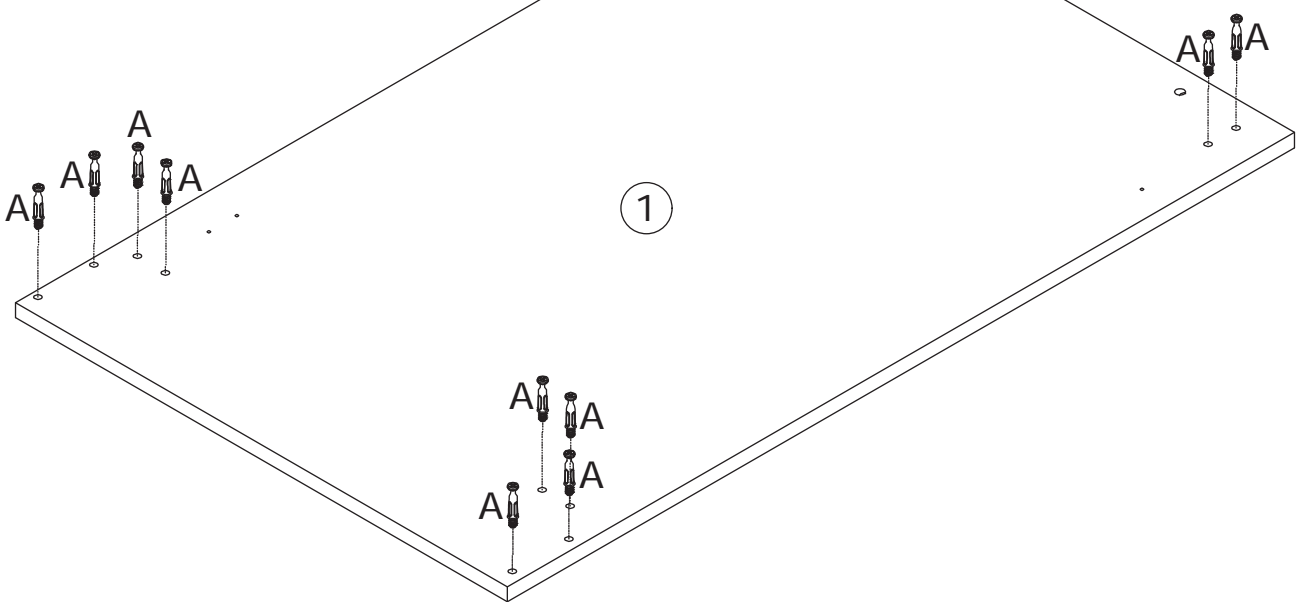
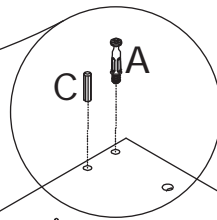
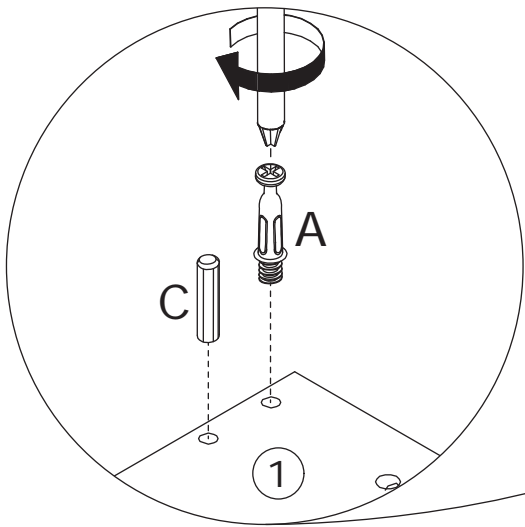
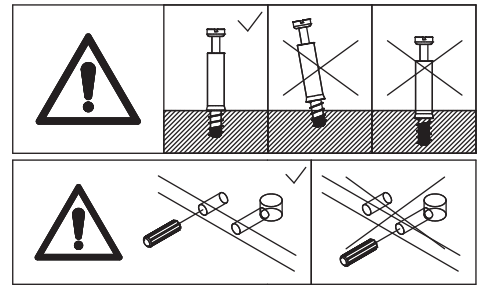
If there is misalignment after you install, adjust the screw to the best condition



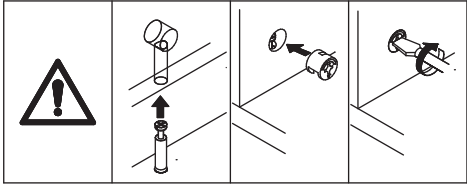
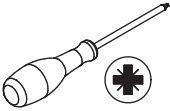
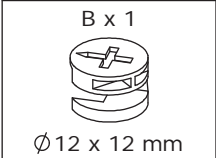
31



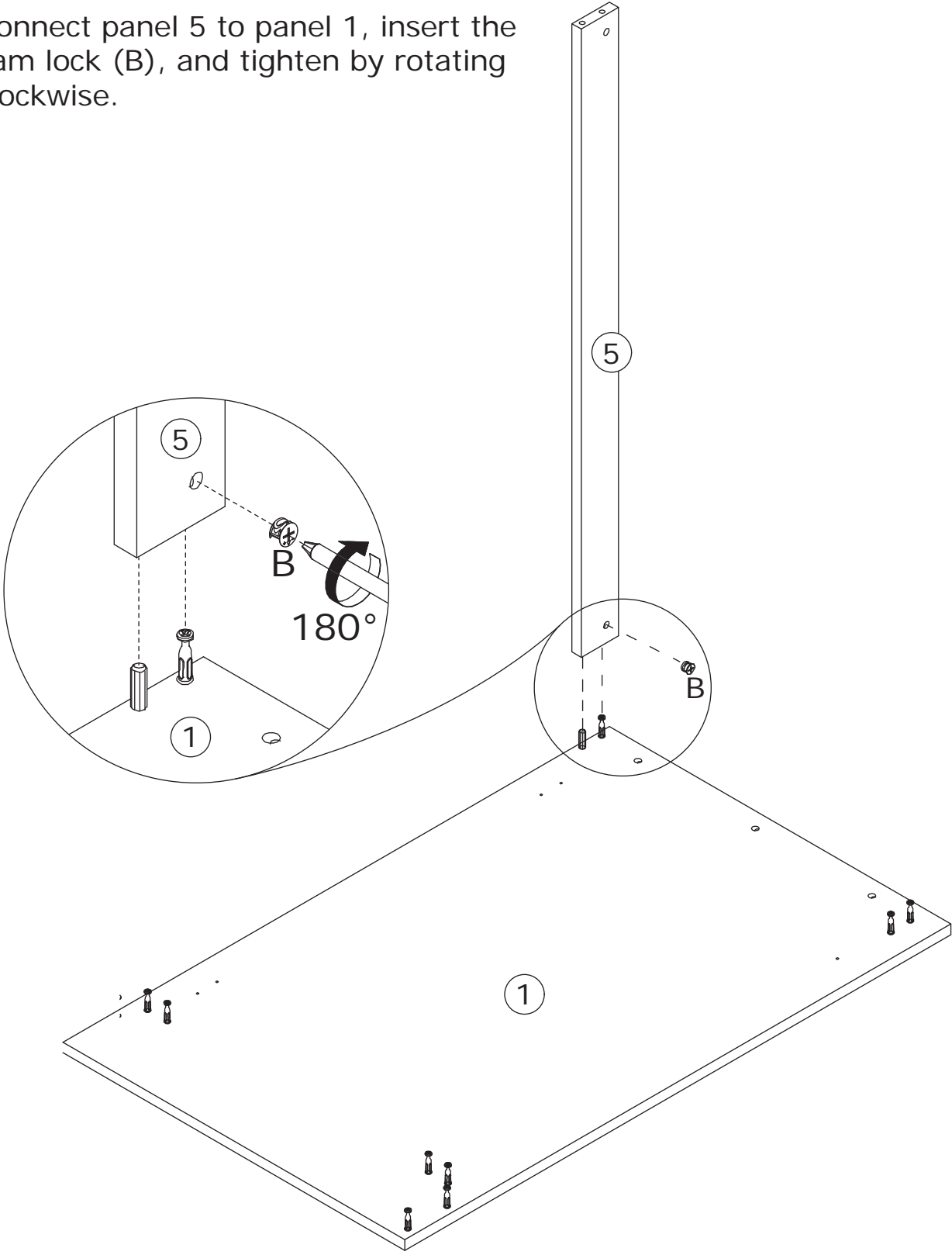
Screw the self-tapping stud (A) into panel 1, and insert the dowel (C) into panel 1.



32

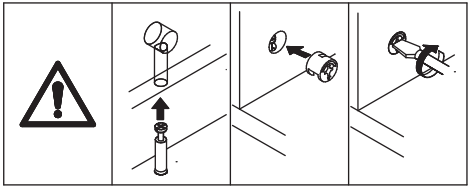
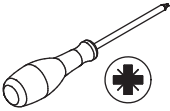


Connect panel 5 to panel 1, insert the cam lock (B), and tighten by rotating clockwise.

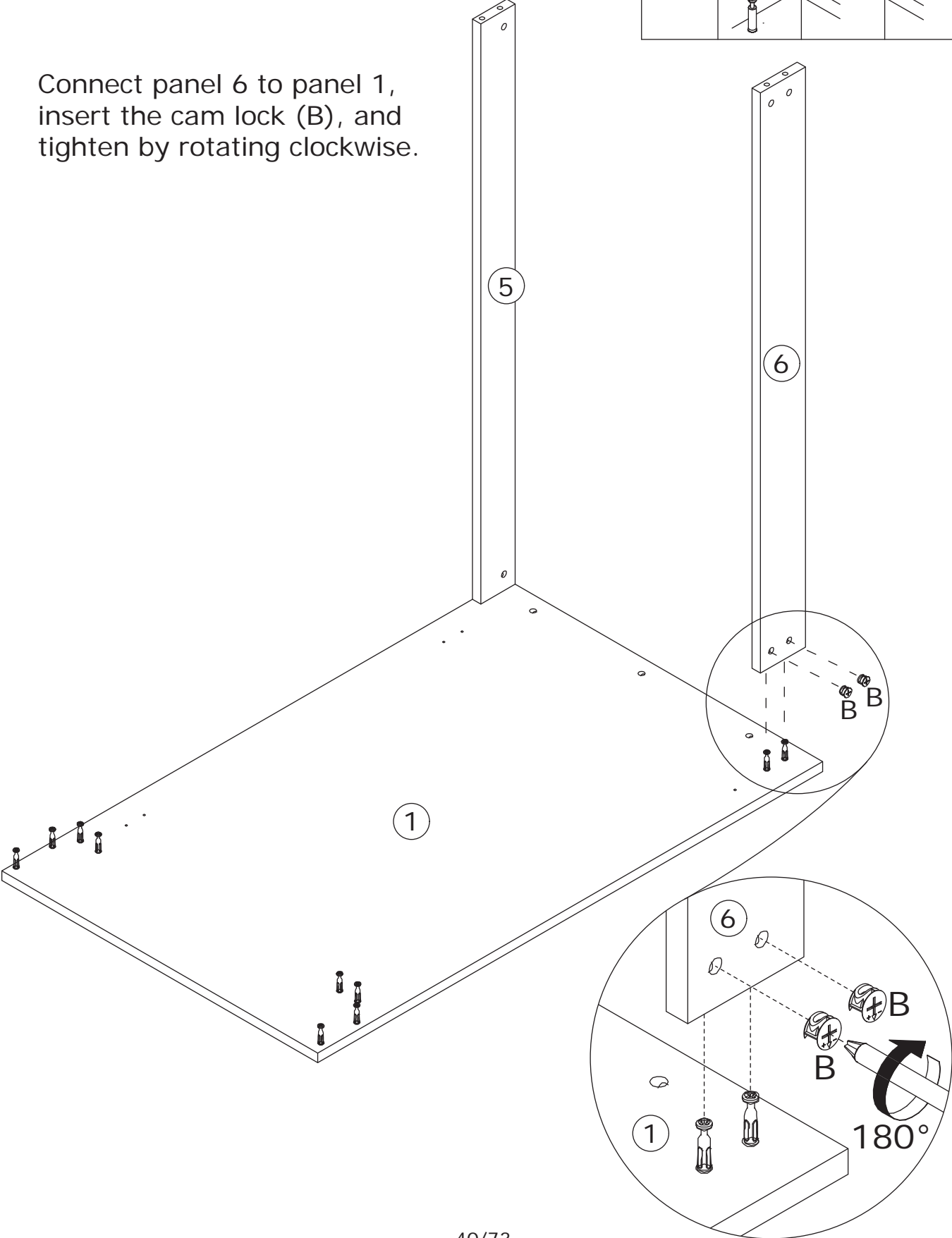


33

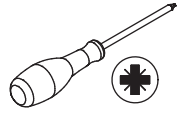
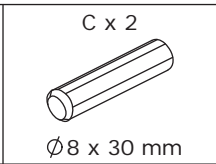
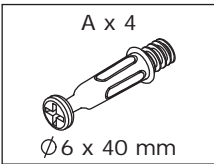
B x 2
Ø12 x 12 mm



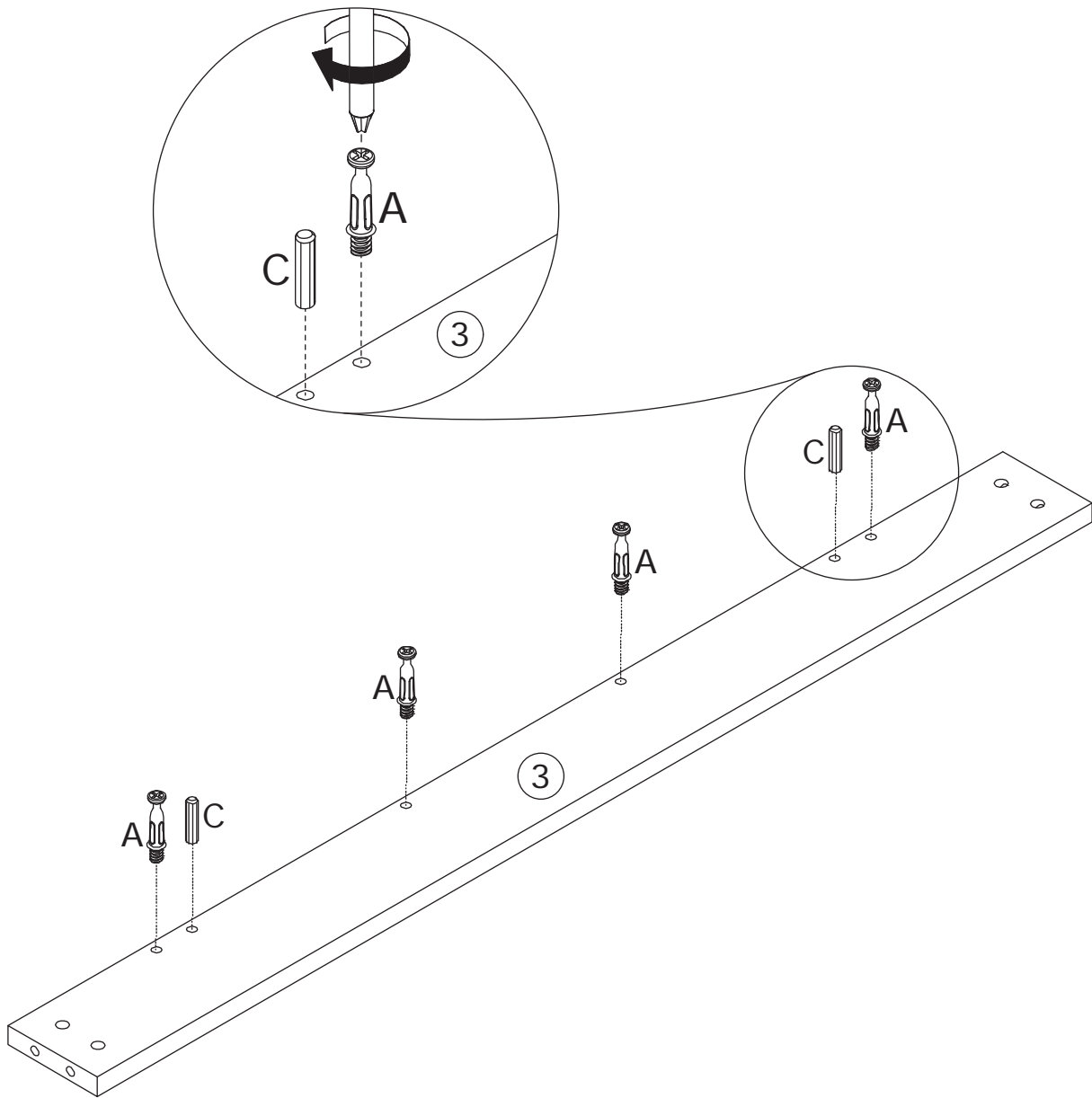
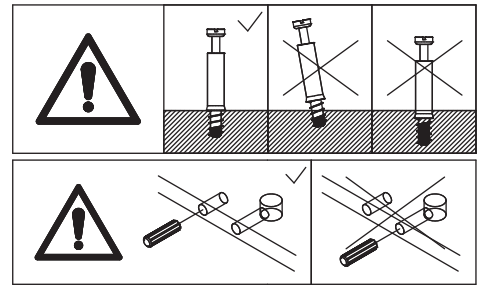
Connect panel 6 to panel 1,
insert the cam lock (B), and
tighten by rotating clockwise.



34

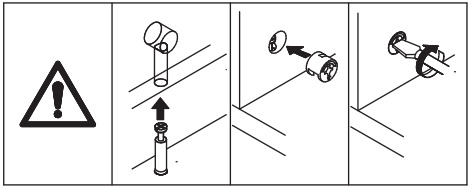
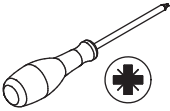


Screw the self-tapping stud (A) into panel 3, and insert the dowel (C) into panel 3.

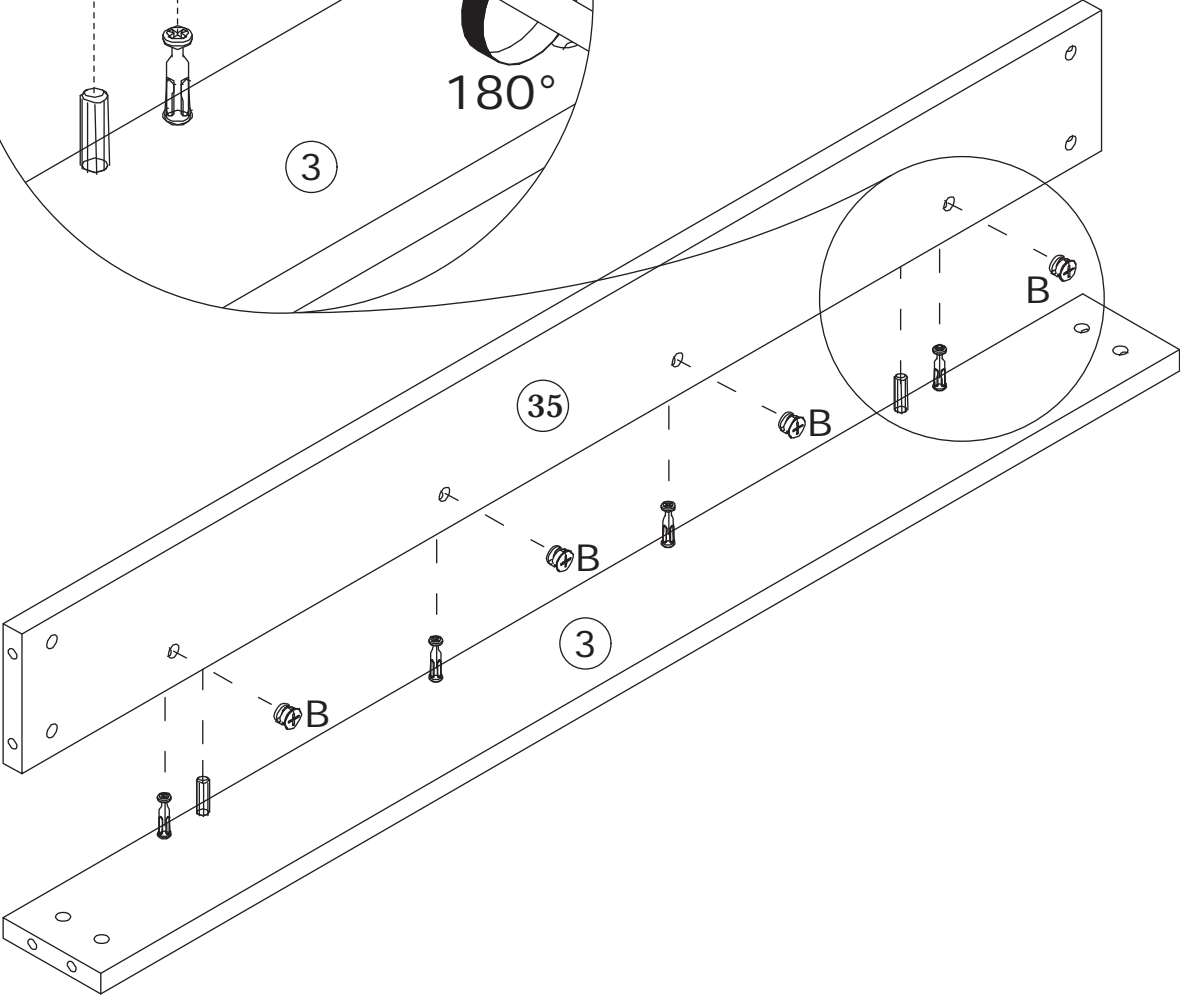
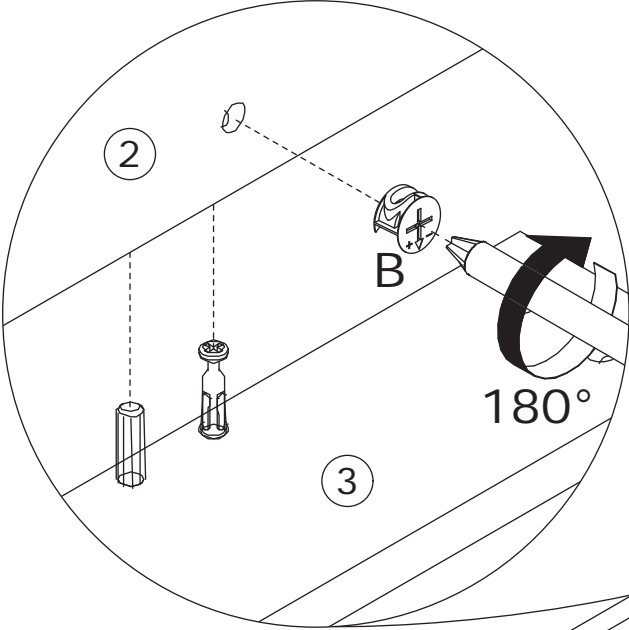


35

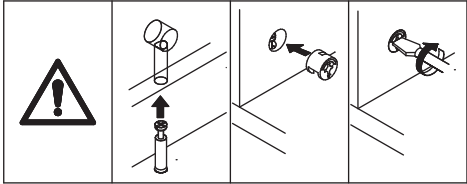
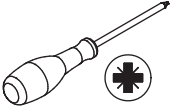
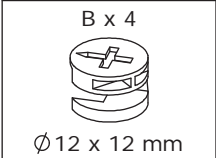
B x 4
Ø12 x 12 mm



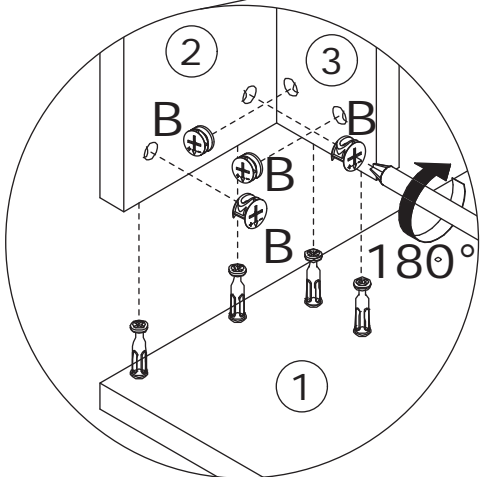
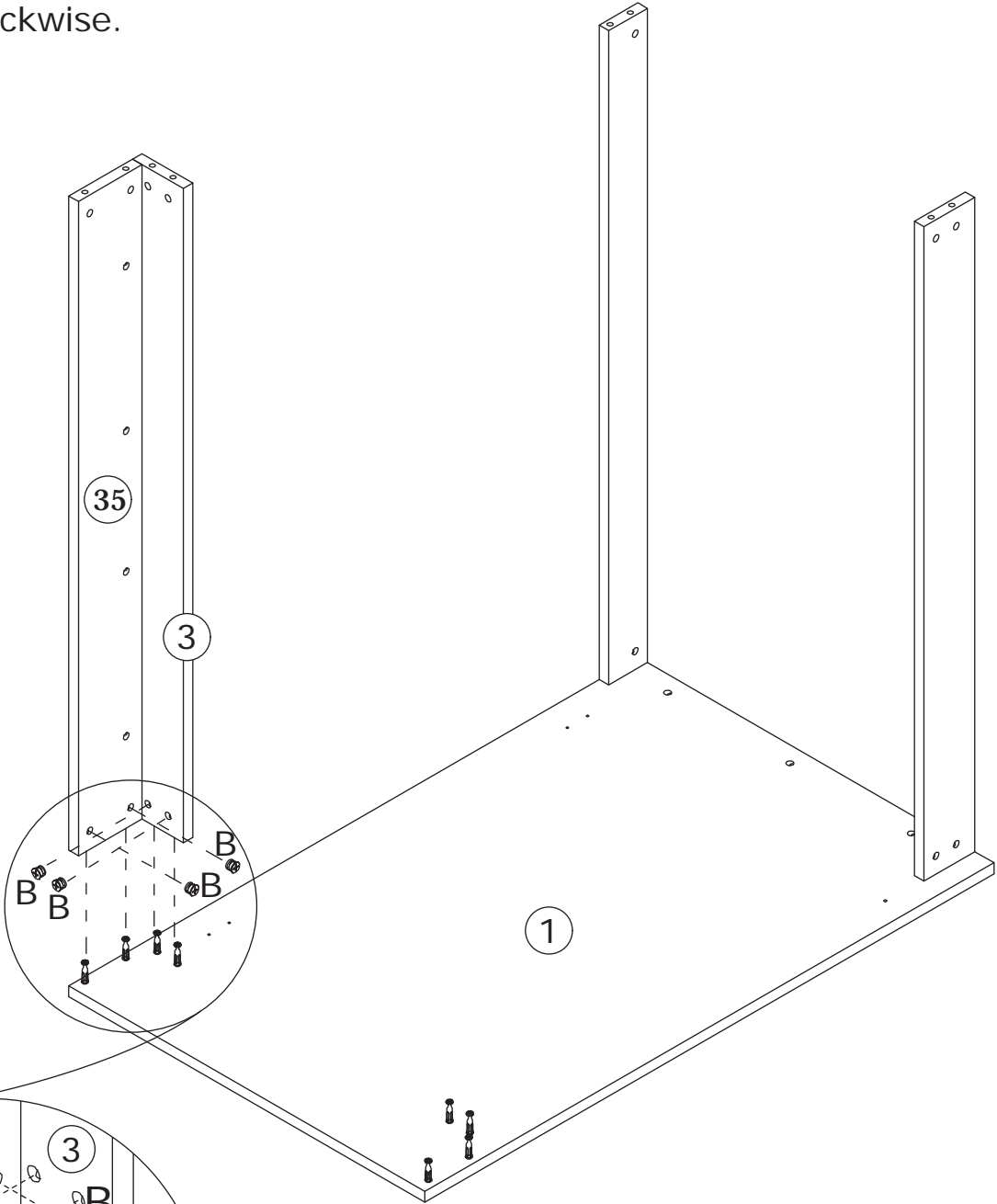
Connect panel 2 to panel 3, insert the cam lock (B), and tighten by rotating clockwise.



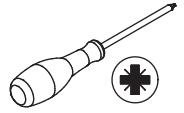
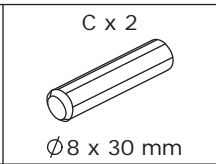
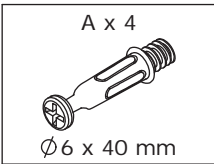
36



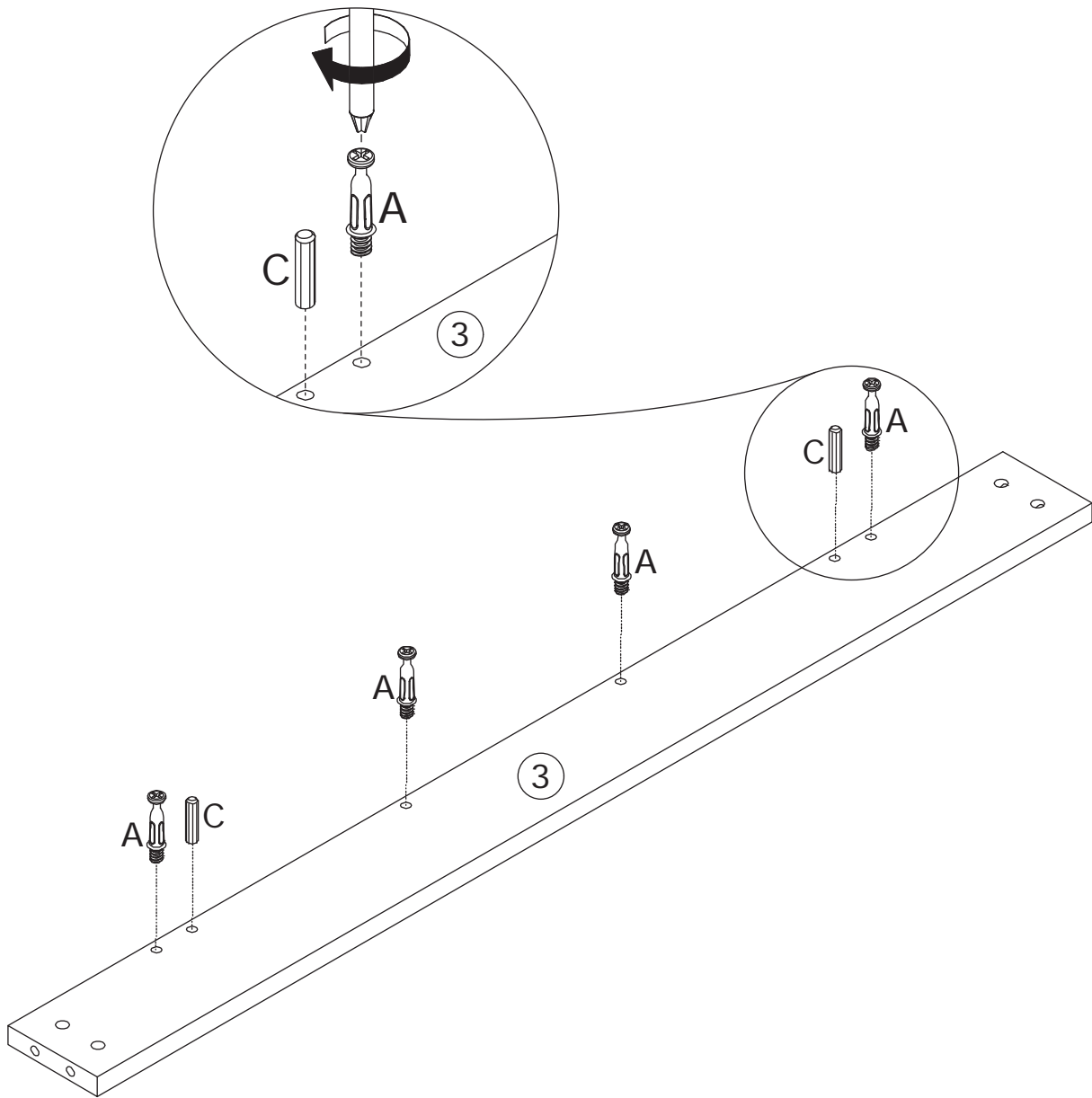
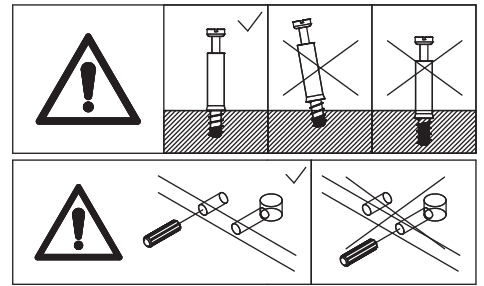
Connect panel 2 and panel 3 to panel 1, insert the cam lock (B), and tighten by rotating clockwise.



37

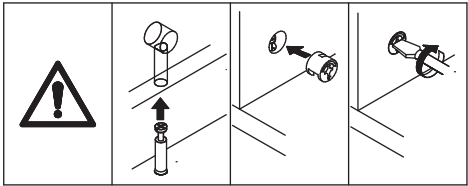
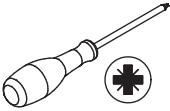


Screw the self-tapping stud (A) into panel 3, and insert the dowel (C) into panel 3.

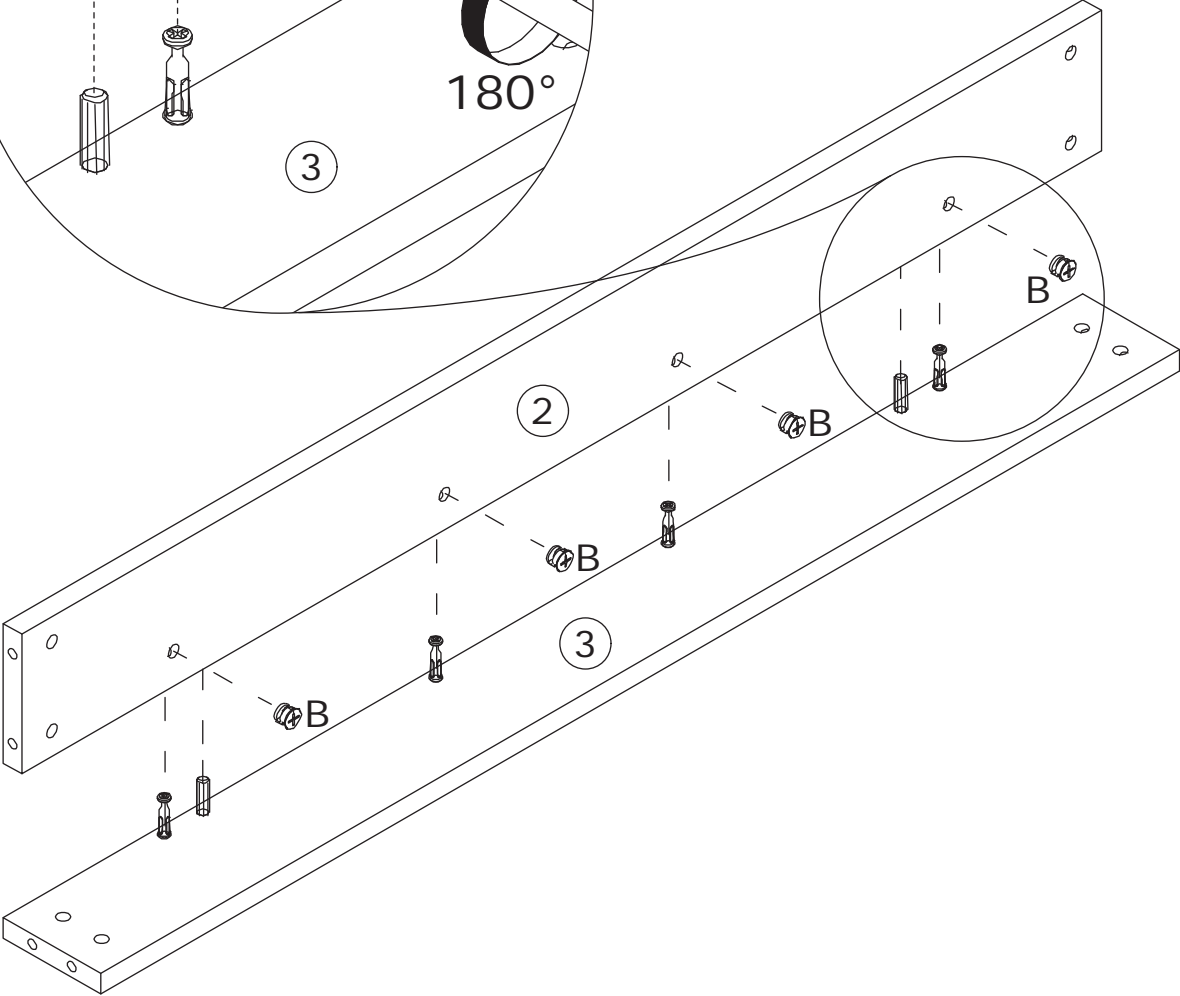
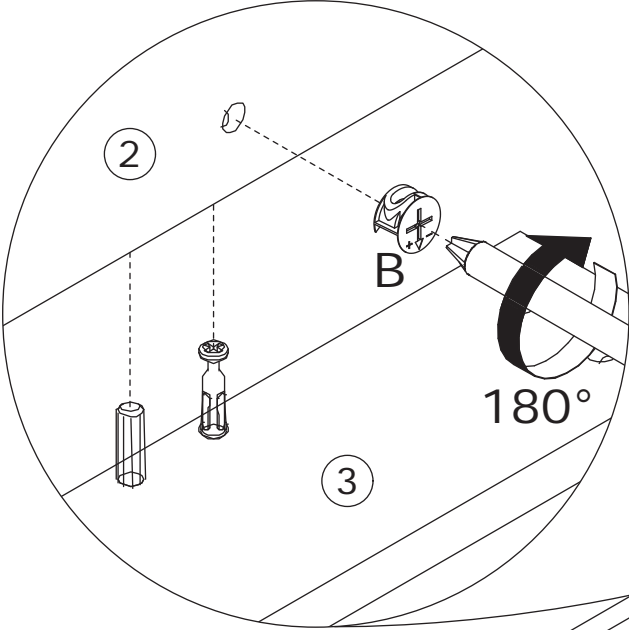


38

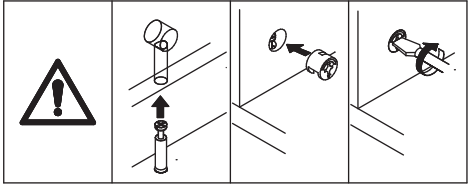
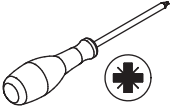
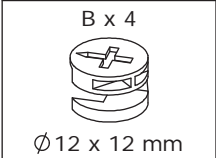
B x 4
Ø12 x 12 mm



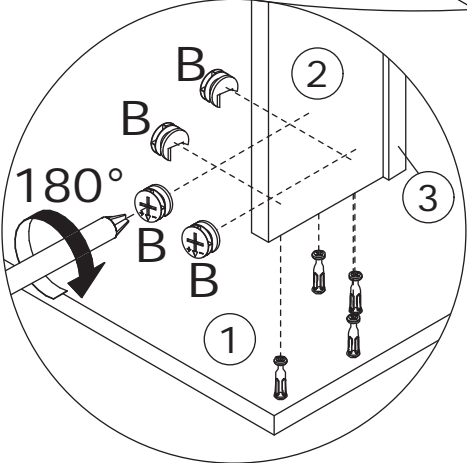
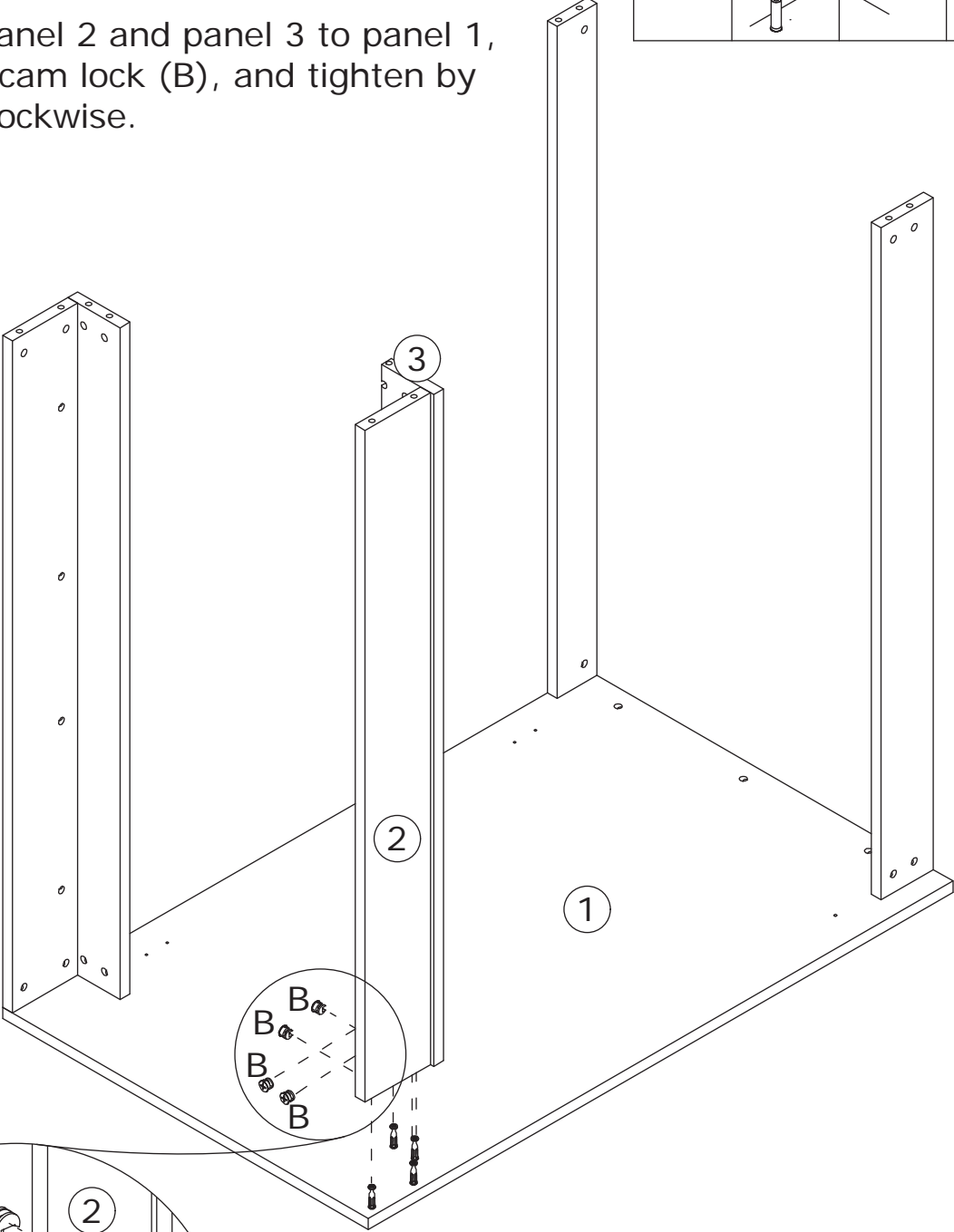
Connect panel 2 to panel 3, insert the cam lock (B), and tighten by rotating clockwise.



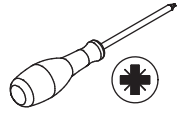
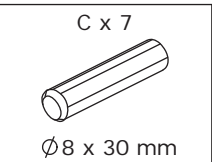
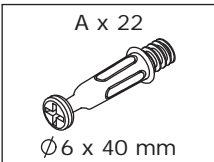
39



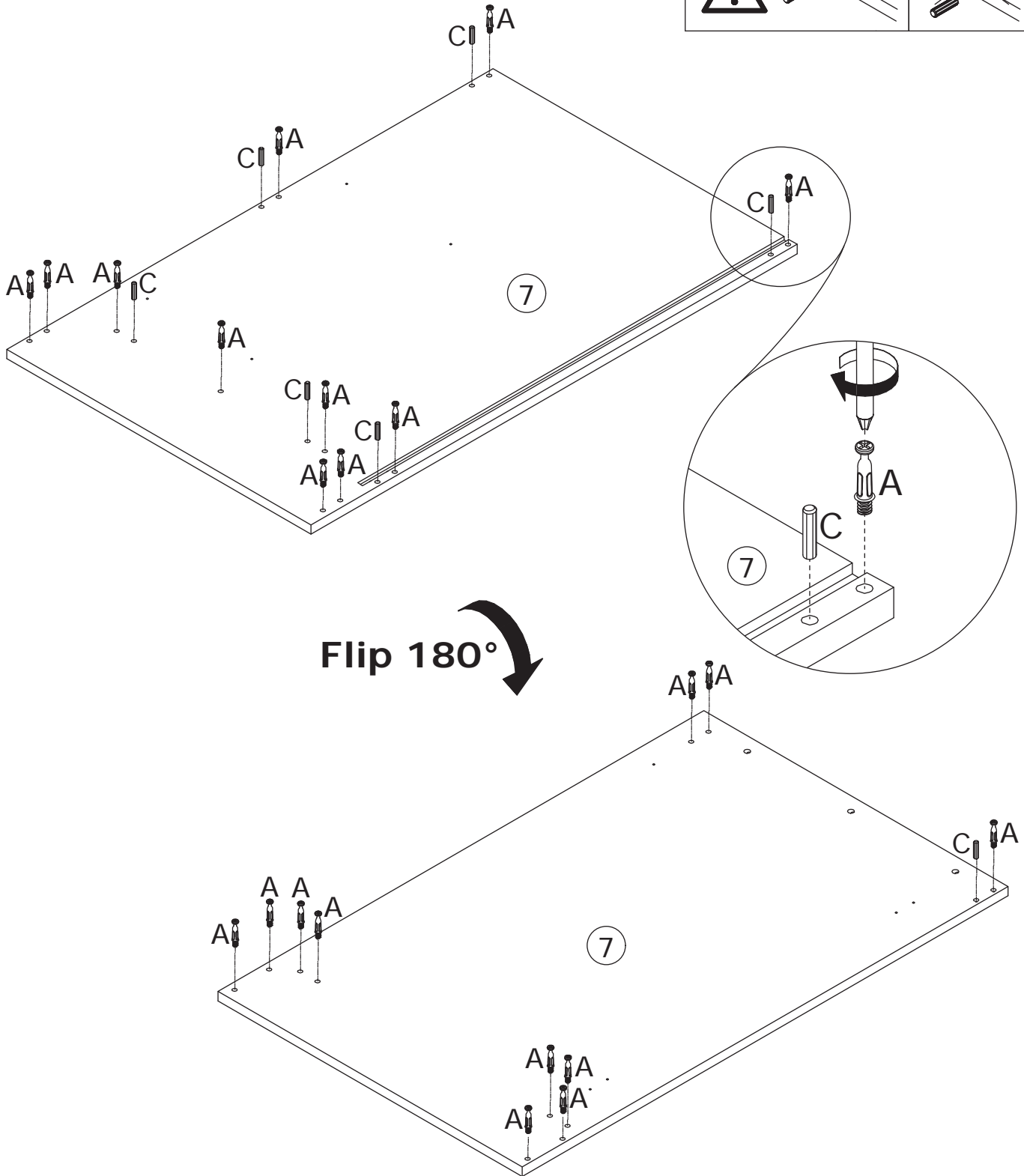
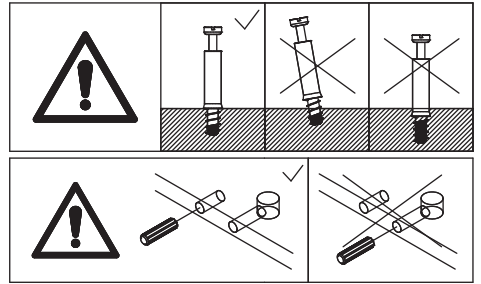
Connect panel 2 and panel 3 to panel 1, insert the cam lock (B), and tighten by rotating clockwise.



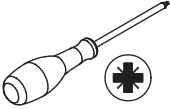
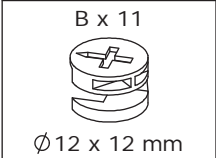
40



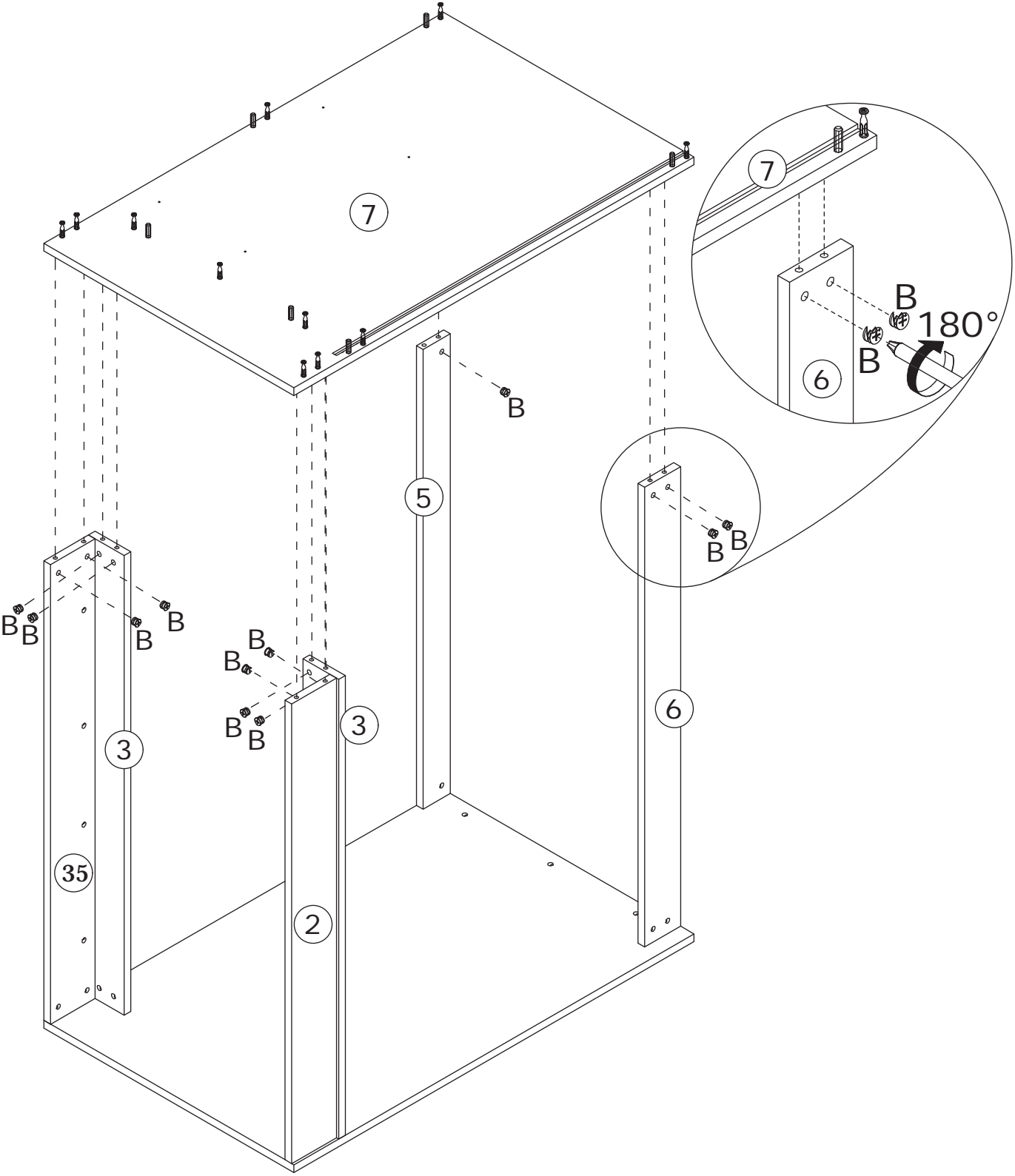
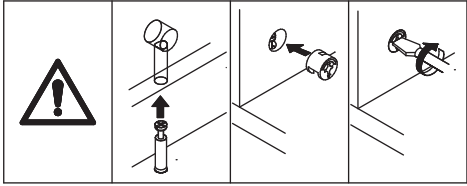
Screw the self-tapping stud (A) into panel 7,
and insert the dowel (C) into panel 7.



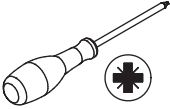
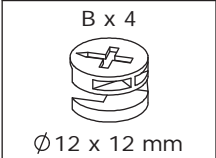
41



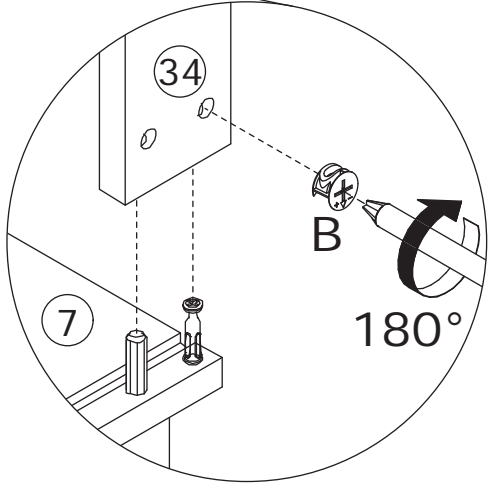
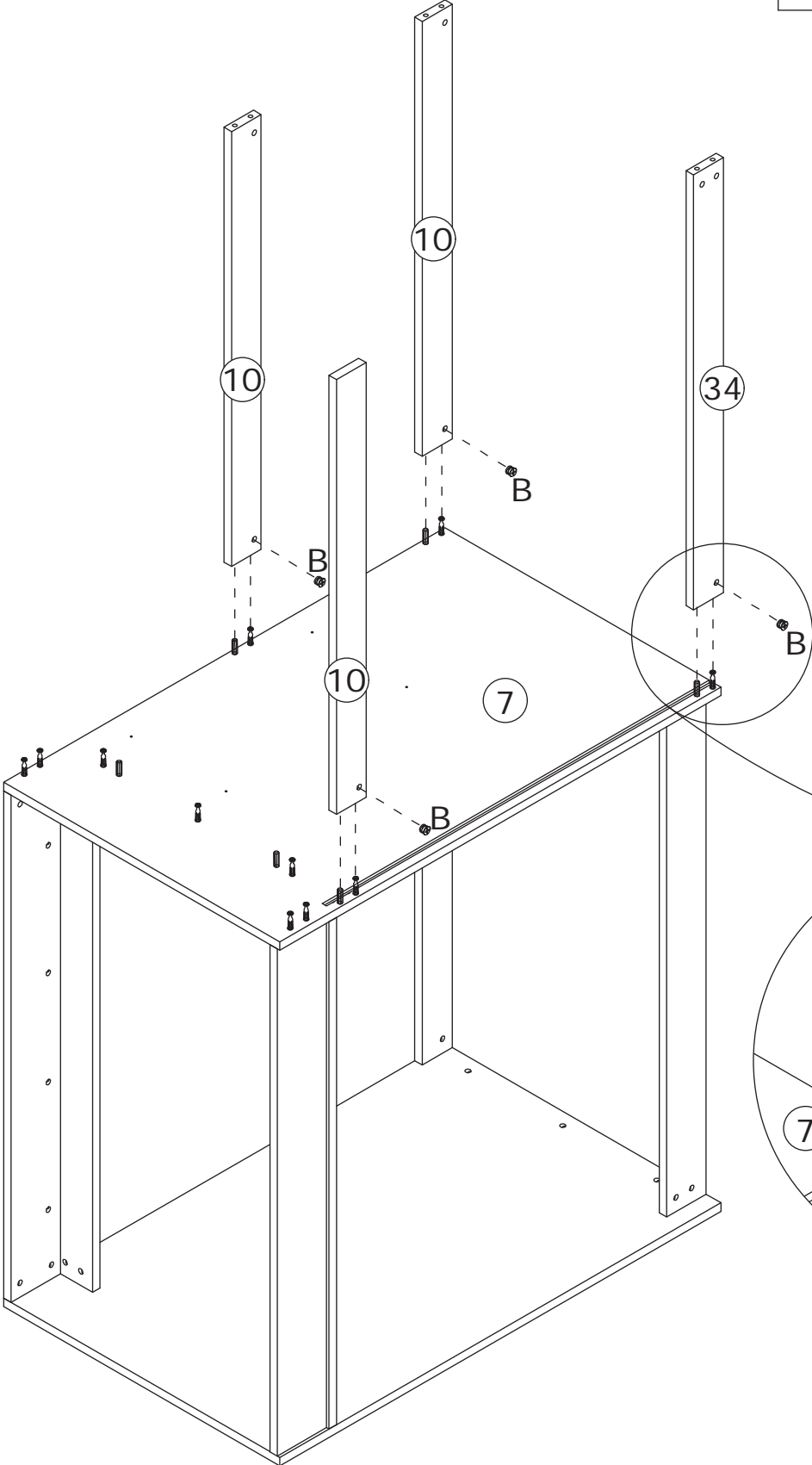
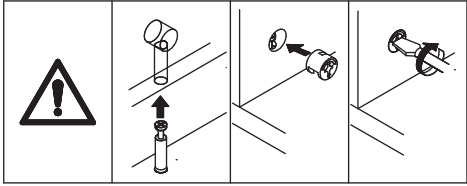
Connect panel 7 to panel 2, panel 3, panel 5 and panel 6, insert the cam lock (B), and tighten by rotating clockwise.



42

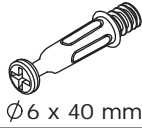


Connect panel 10 and panel 34 to panel 7, insert the cam lock (B), and tighten by rotating clockwise.

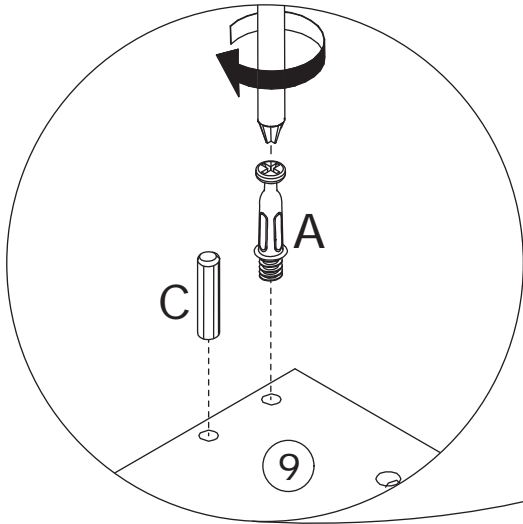
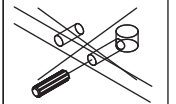
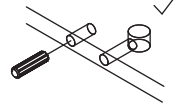
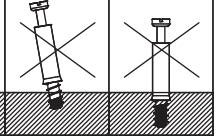
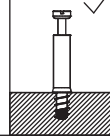
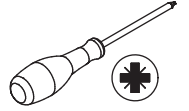
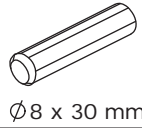


43

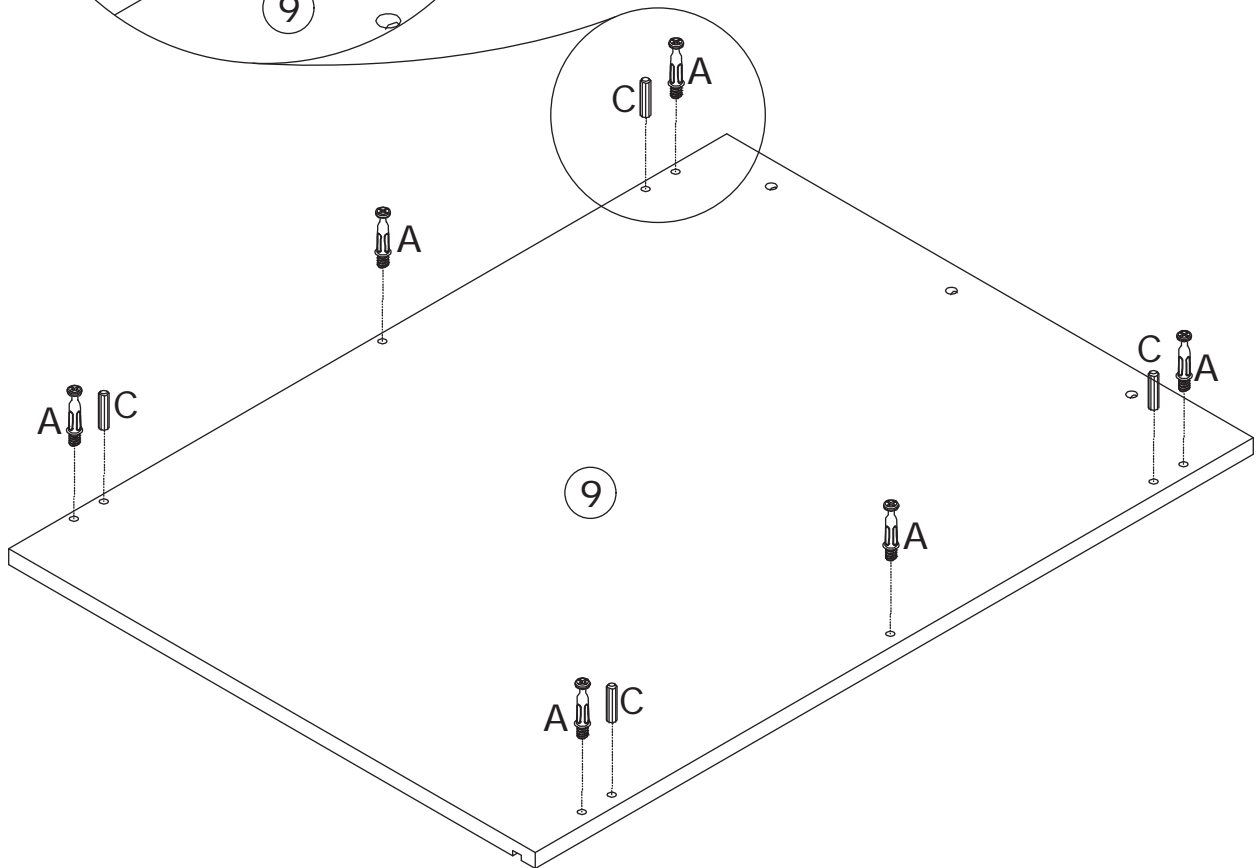
A x 6



C x 4

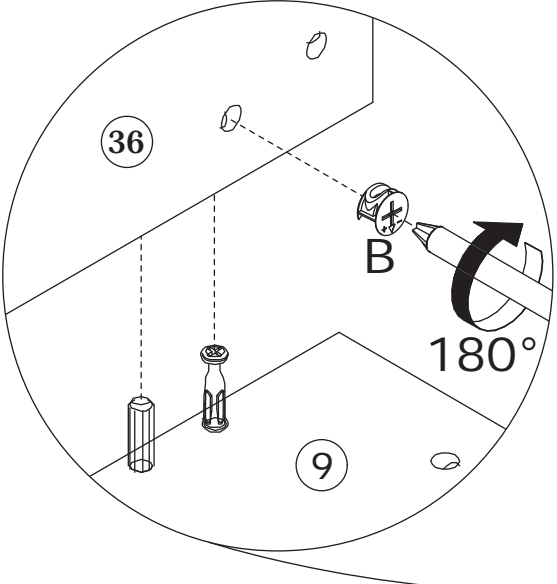
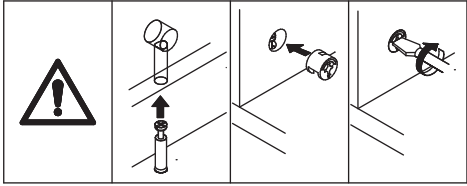
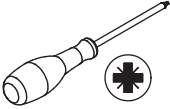


Screw the self-tapping stud (A) into panel 9, and insert the dowel (C) into panel 9.

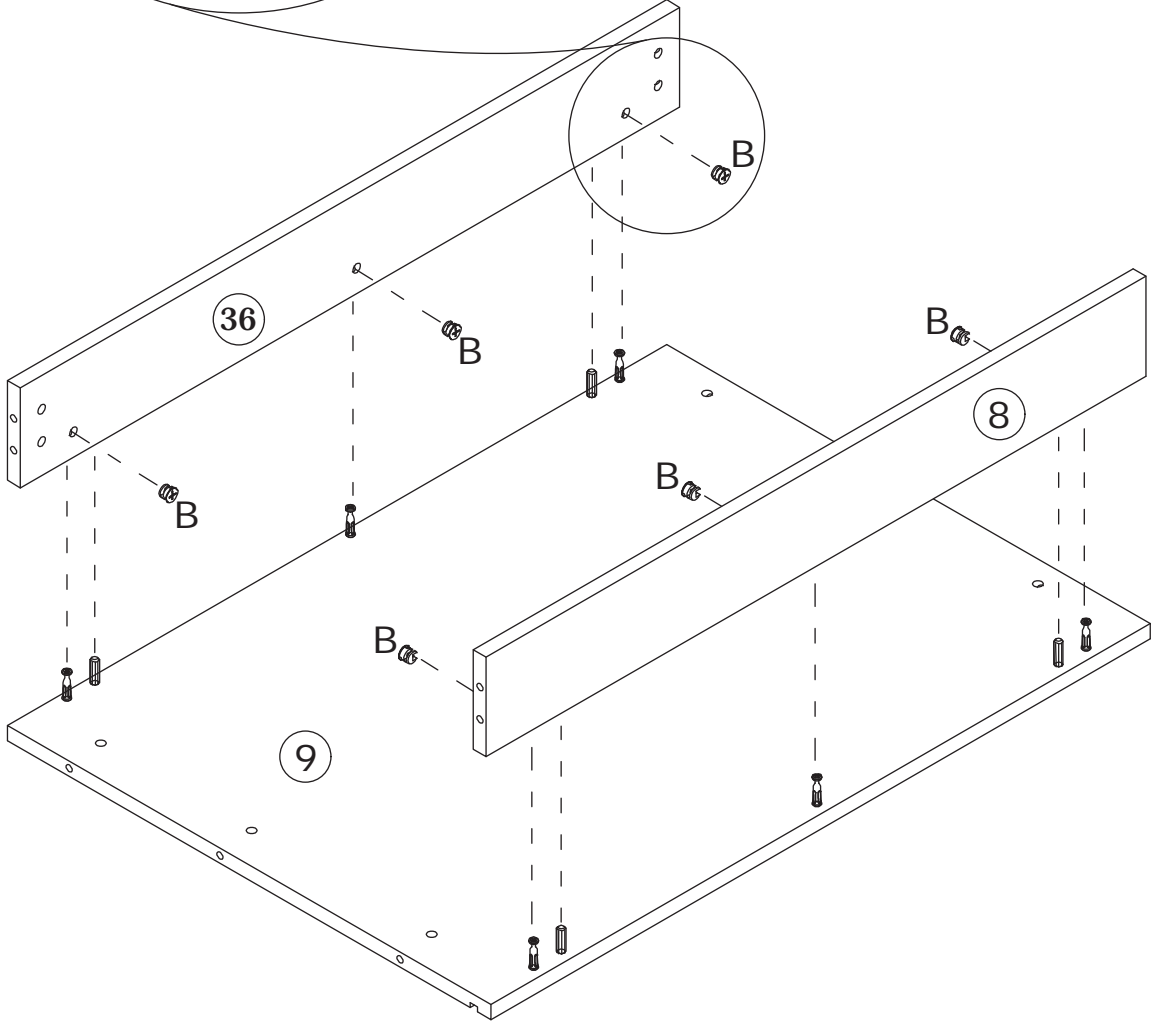


44

B x 6
Ø 12 x 12 mm

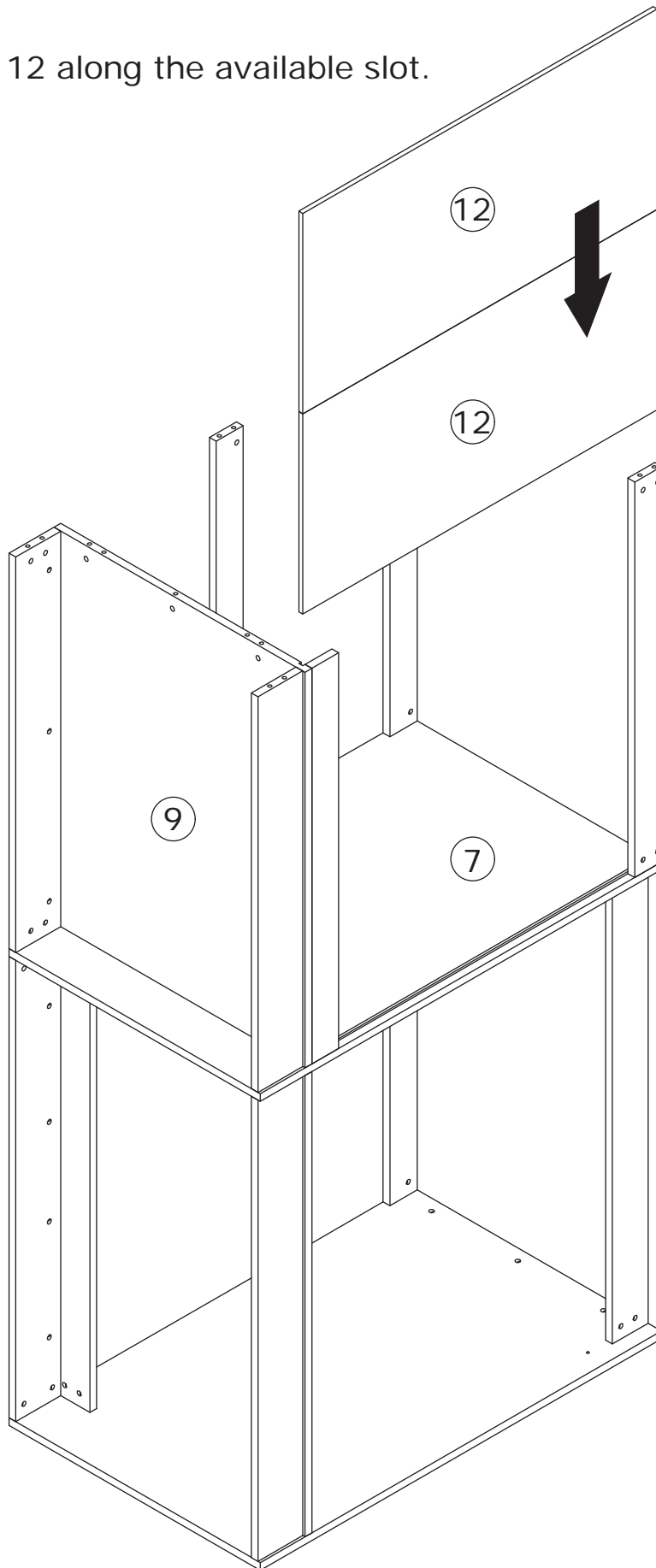


Connect panel 8 to panel 9, insert the cam lock (B), and tighten by rotating clockwise.

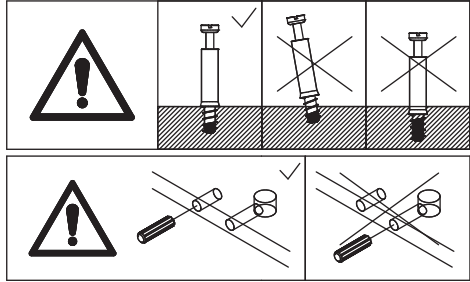
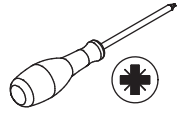
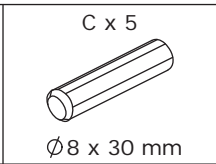
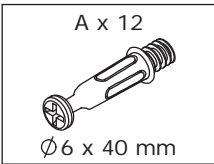


46

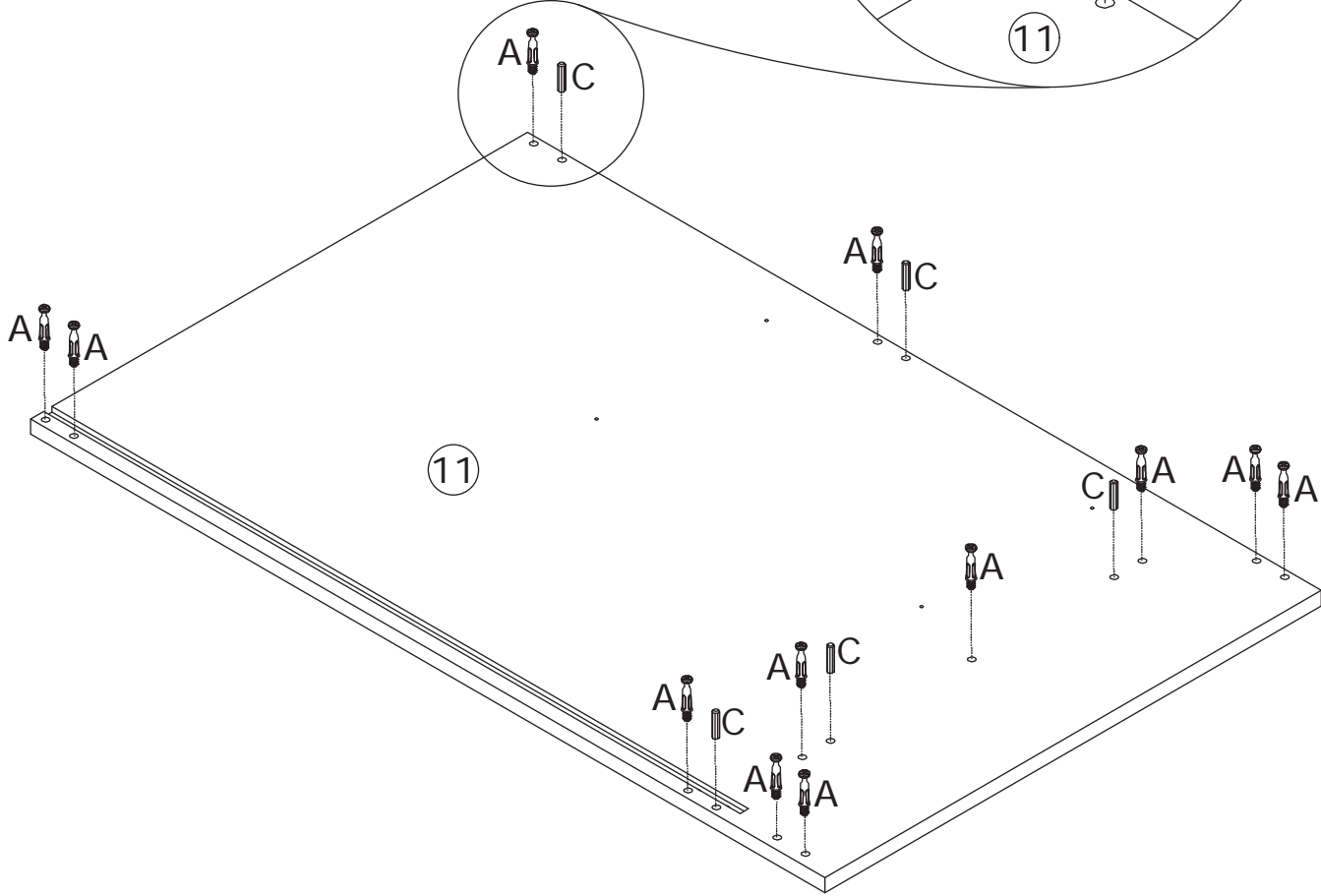
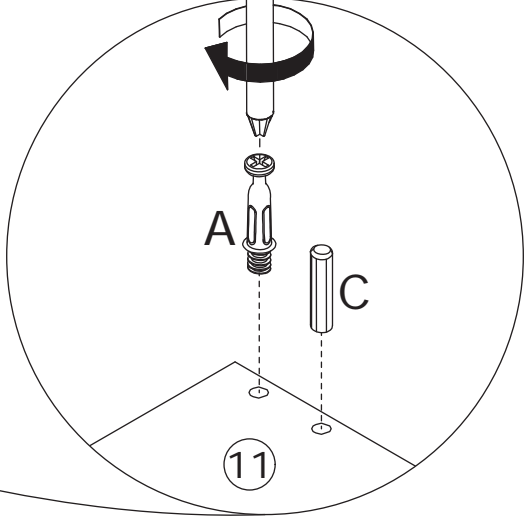
Insert panel 12 along the available slot.



47



Screw the self-tapping stud (A) into panel 11, and insert the dowel (C) into panel 11.

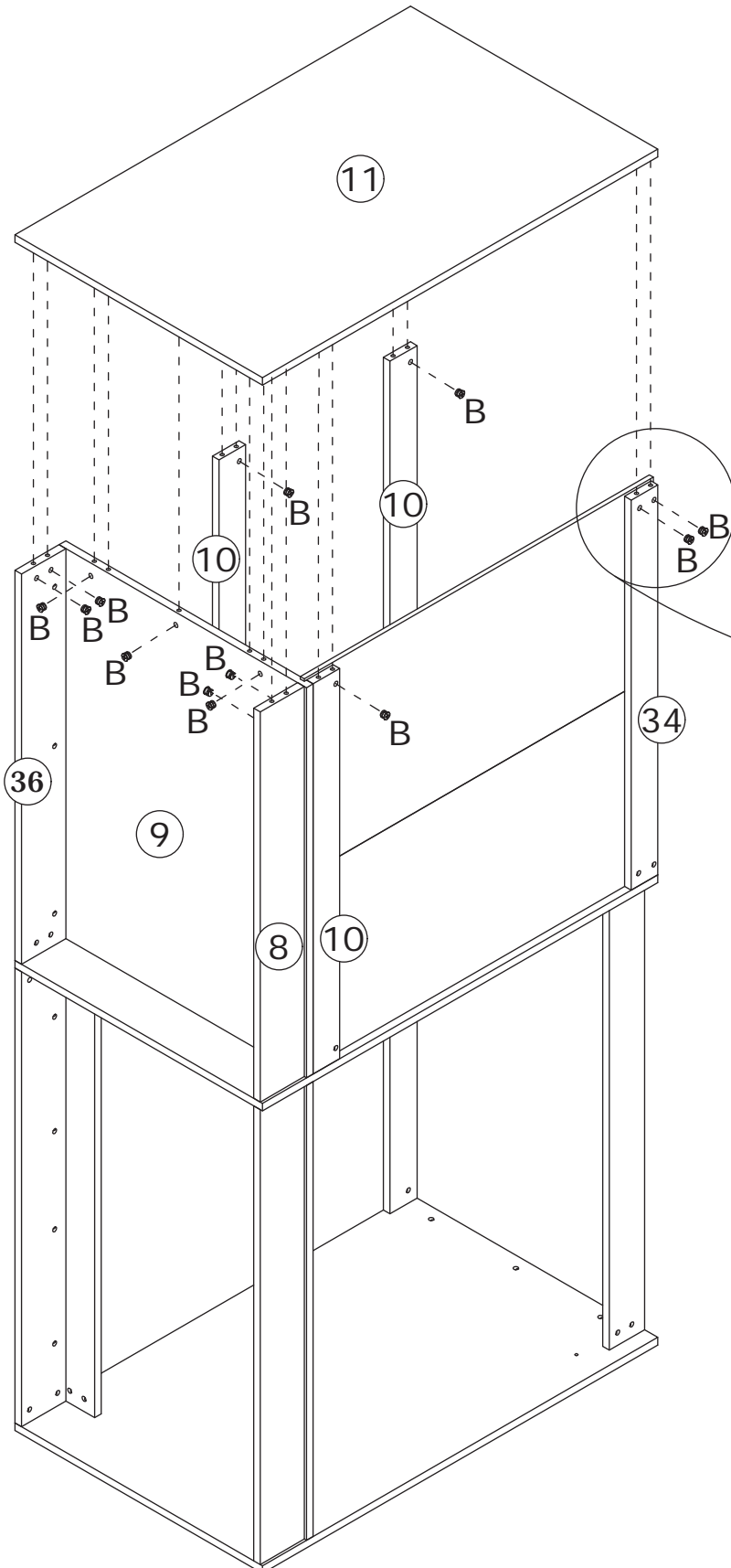
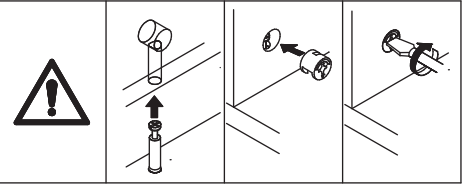
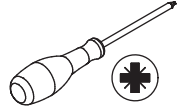


48

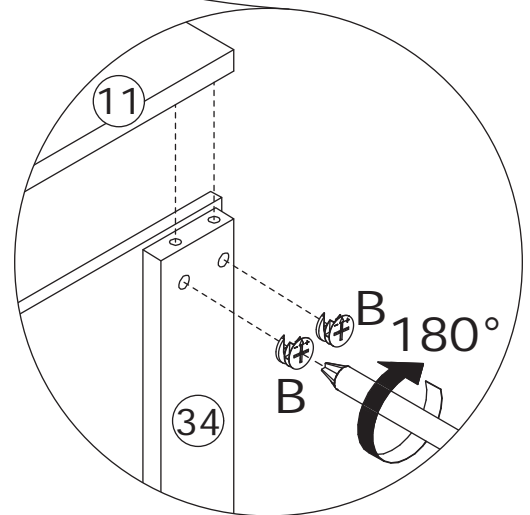
B x 12



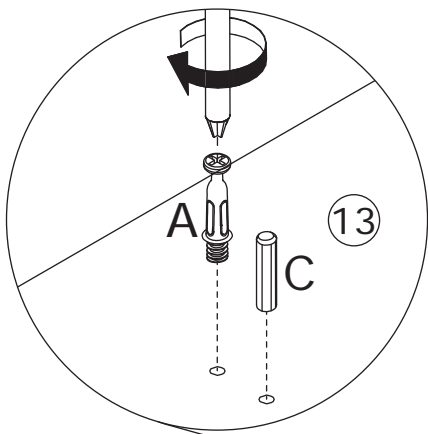
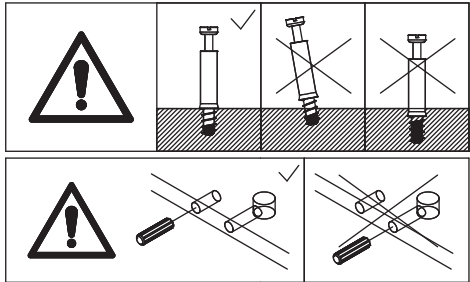
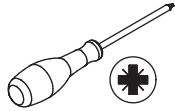
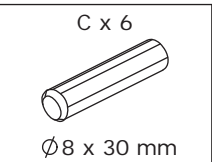
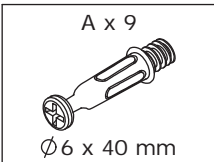
Ø12 x 12 mm



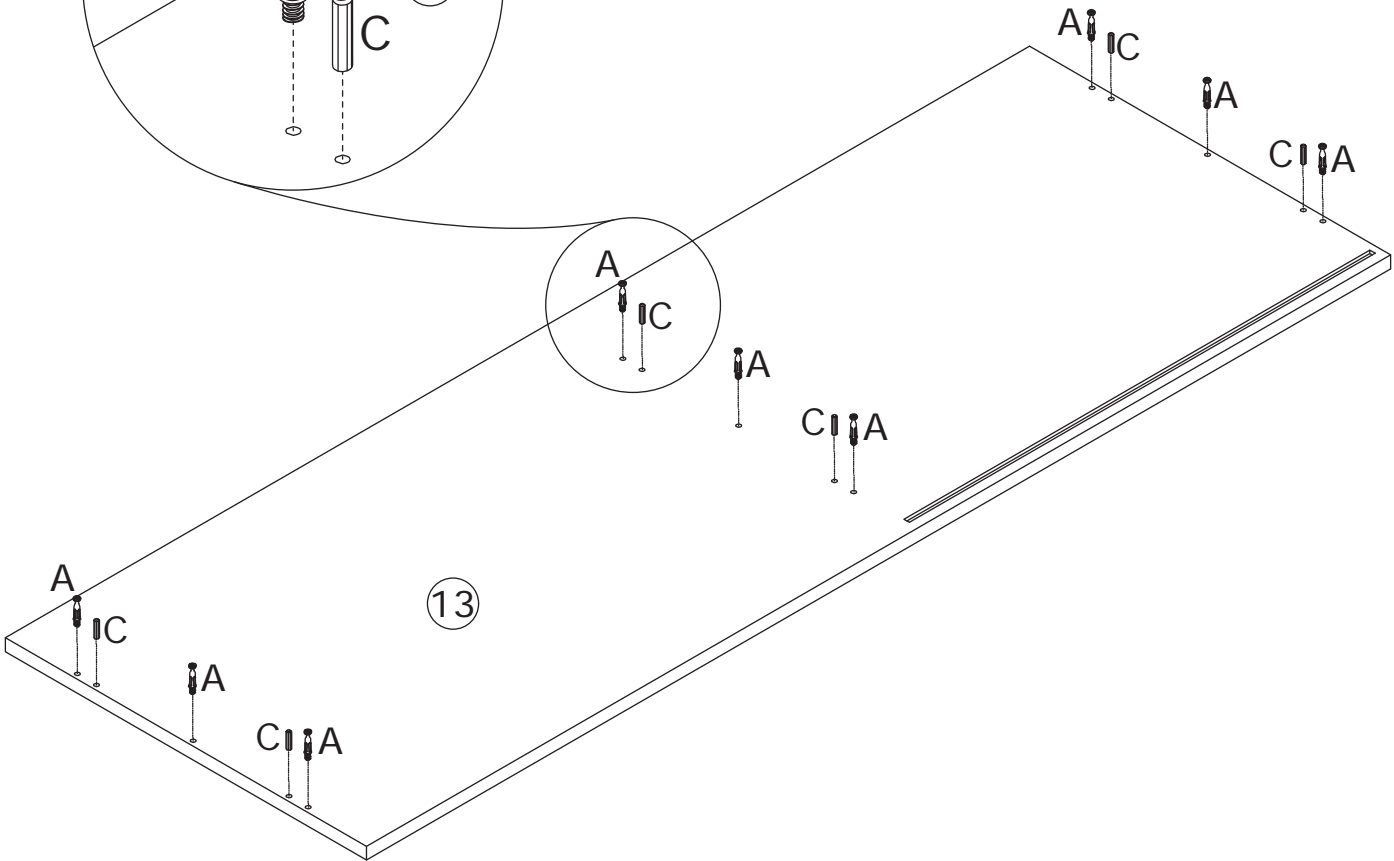
Connect panel 11 to panel 8, panel 9, panel 10 and panel 34, insert the cam lock (B), and tighten by rotating clockwise.



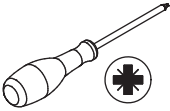
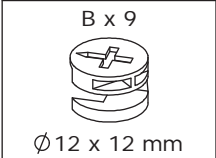
49



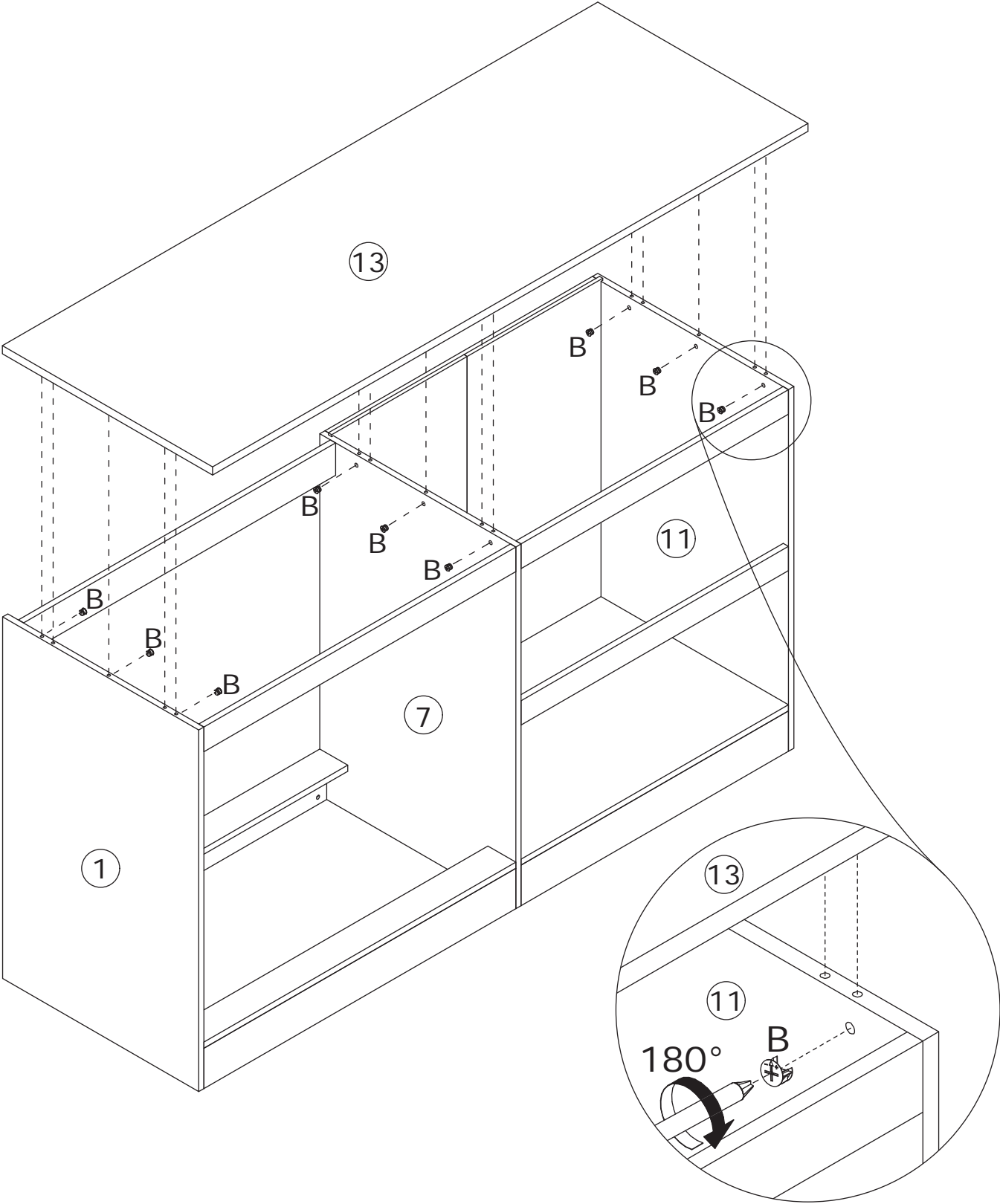
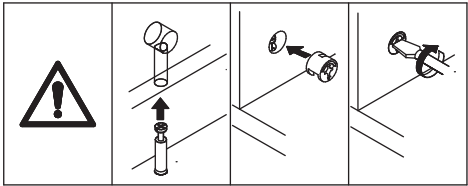
Screw the self-tapping stud (A) into panel 13, and insert the dowel (C) into panel 13.



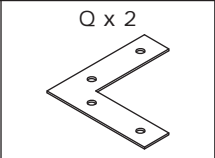
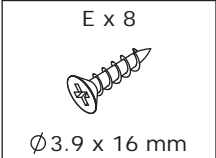
50



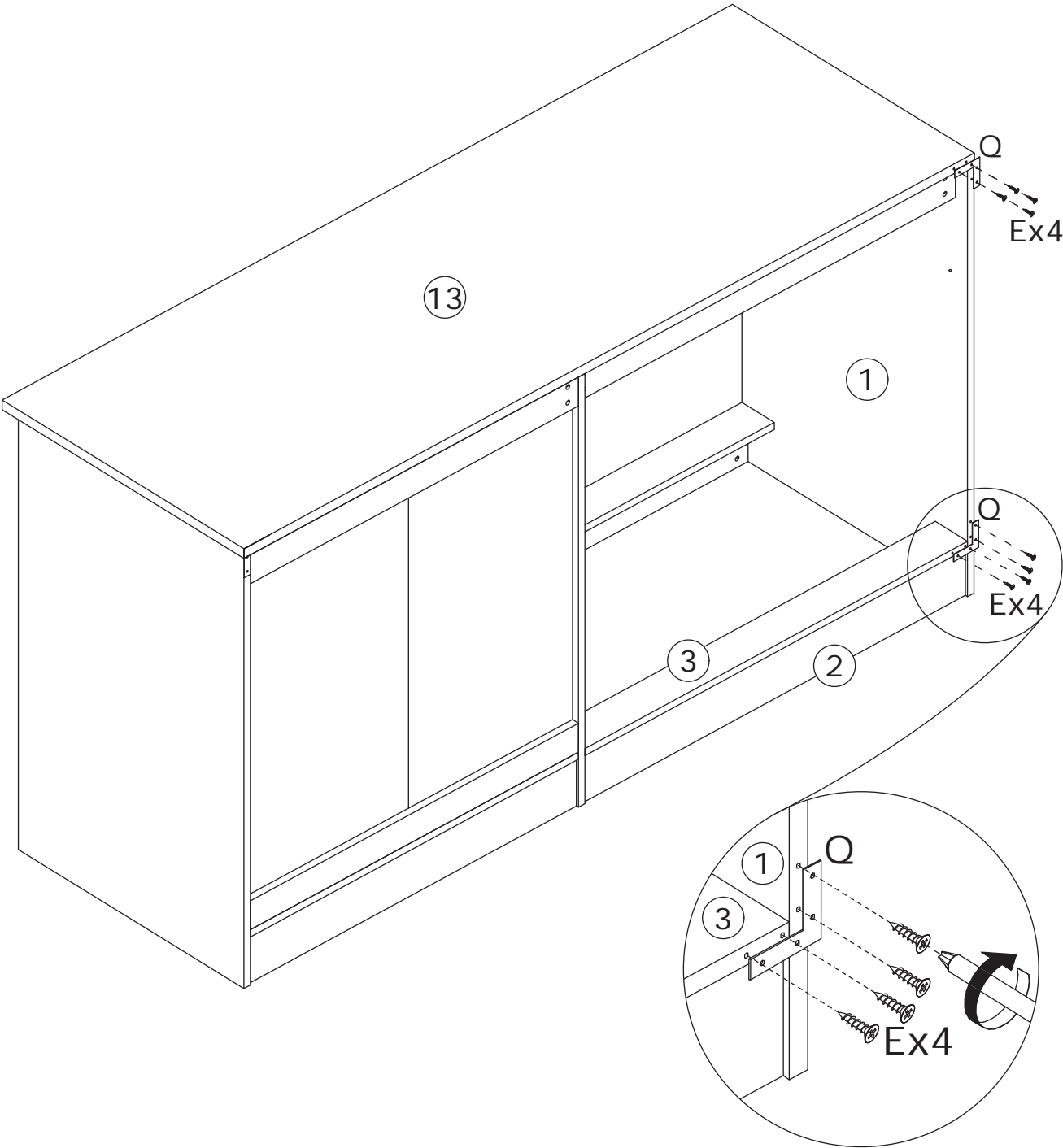
Connect panel 13 to panel 1, panel 7 and panel 11, insert the cam lock (B), and tighten by rotating clockwise.



51



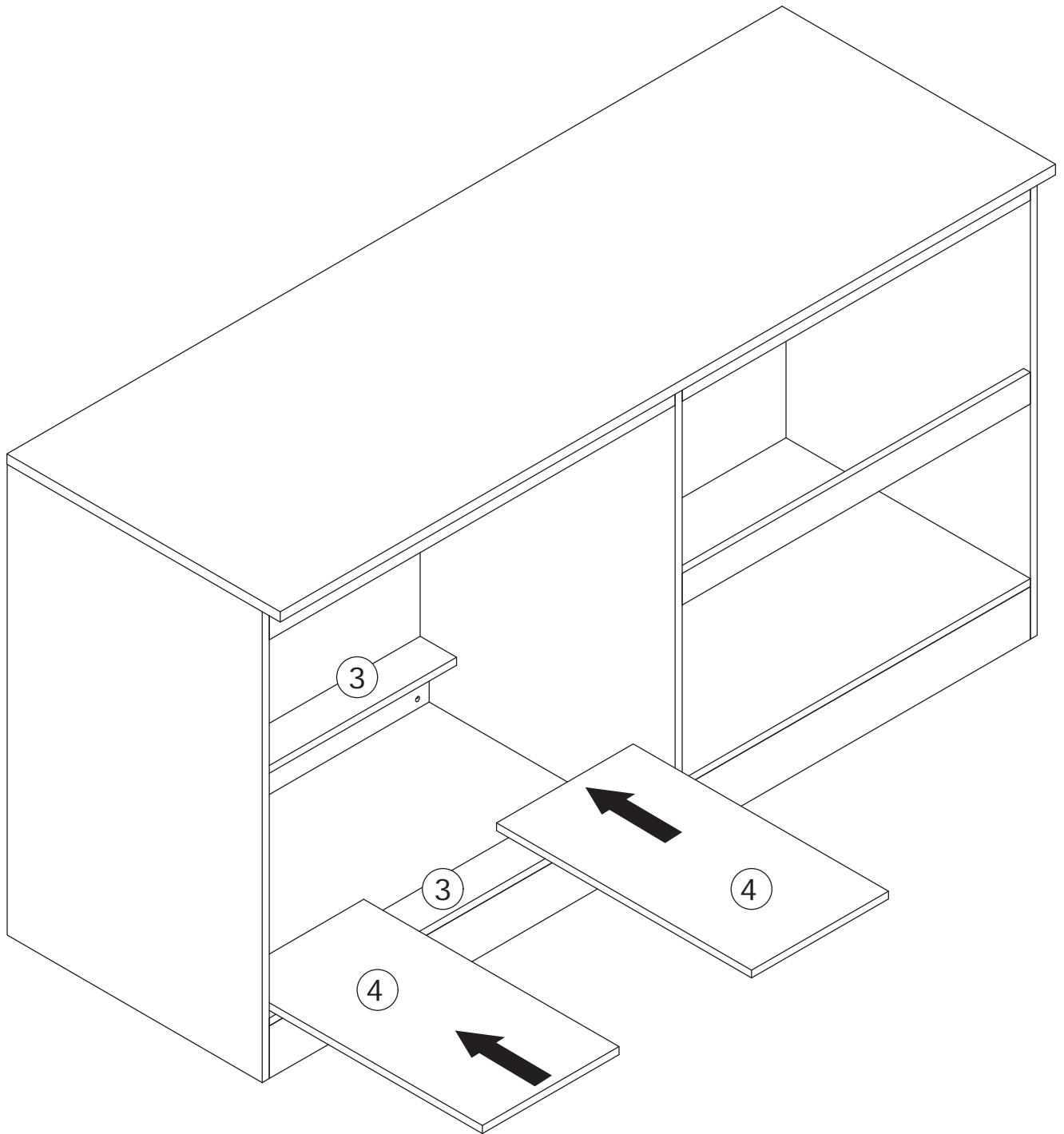
Use screw (E) to secure component (Q) to the installation unit.



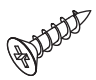

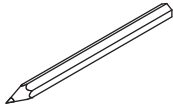
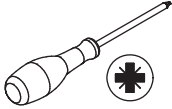
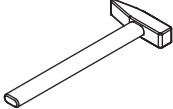

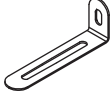
52



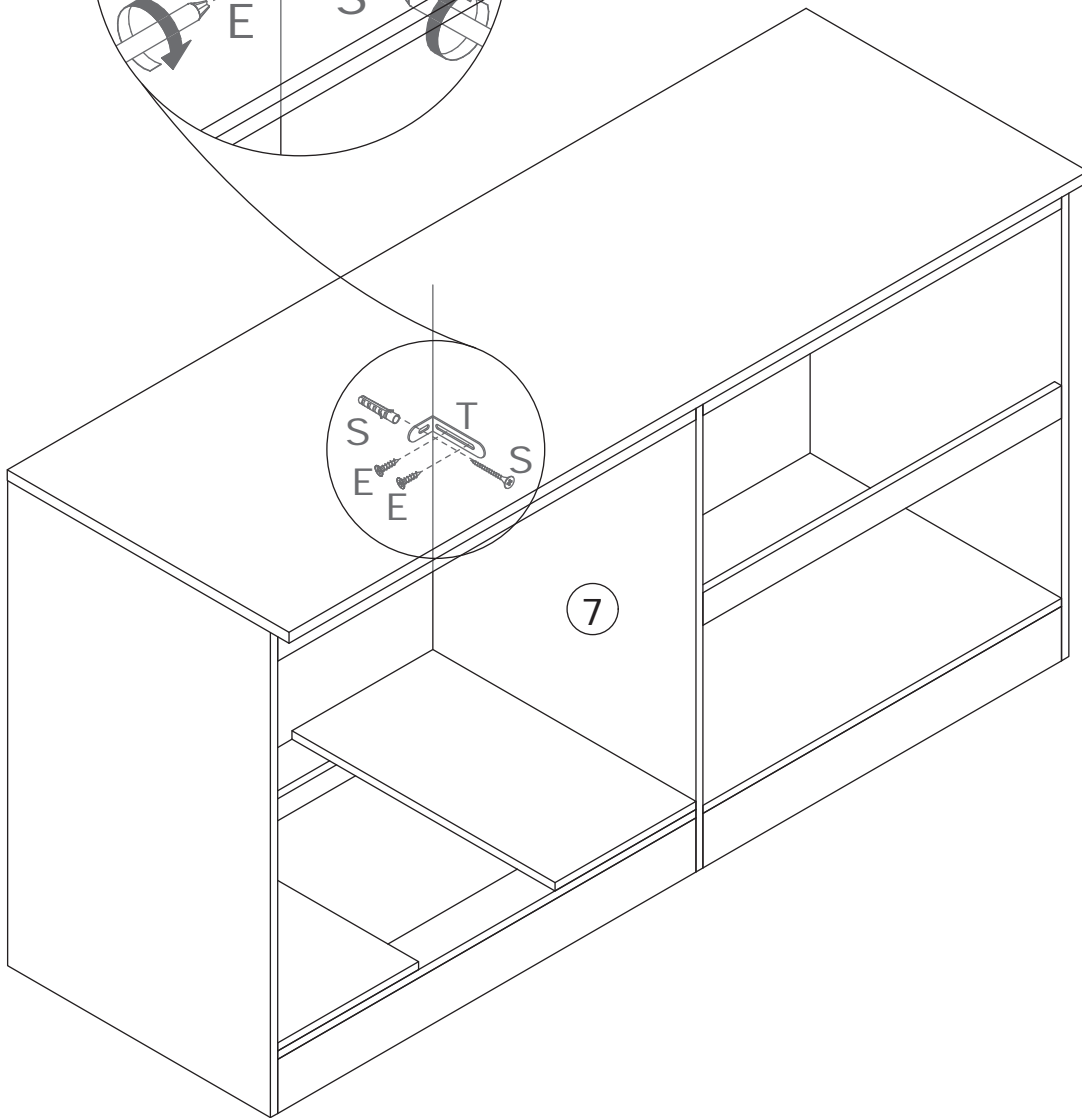
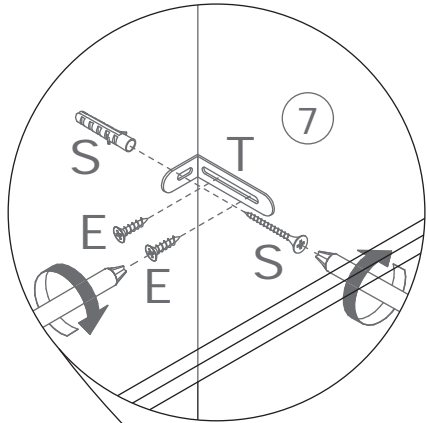
Place panel 4 inside the cabinet.

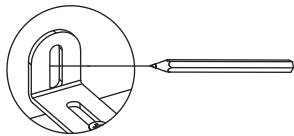
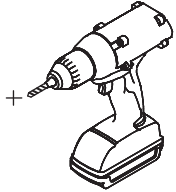
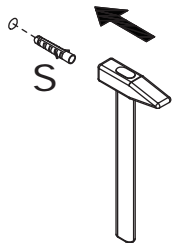
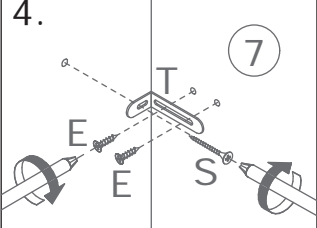


53

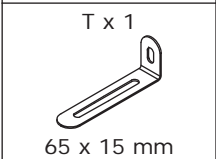
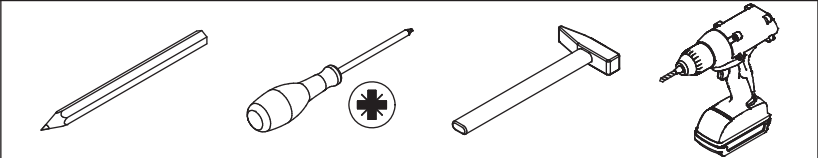
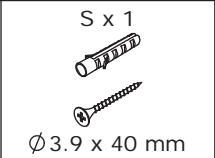
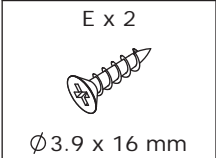
E x 2  Ø 3.9 x 16 mm	S x 1  Ø 3.9 x 40 mm				
T x 1  65 x 15 mm					

Install anti-tipping device as shown.

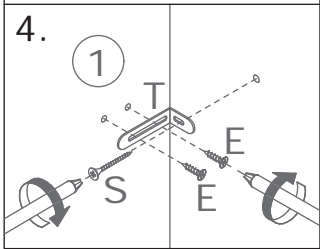
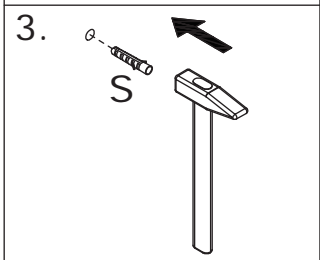
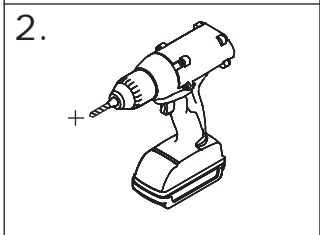
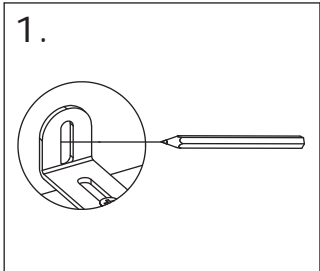
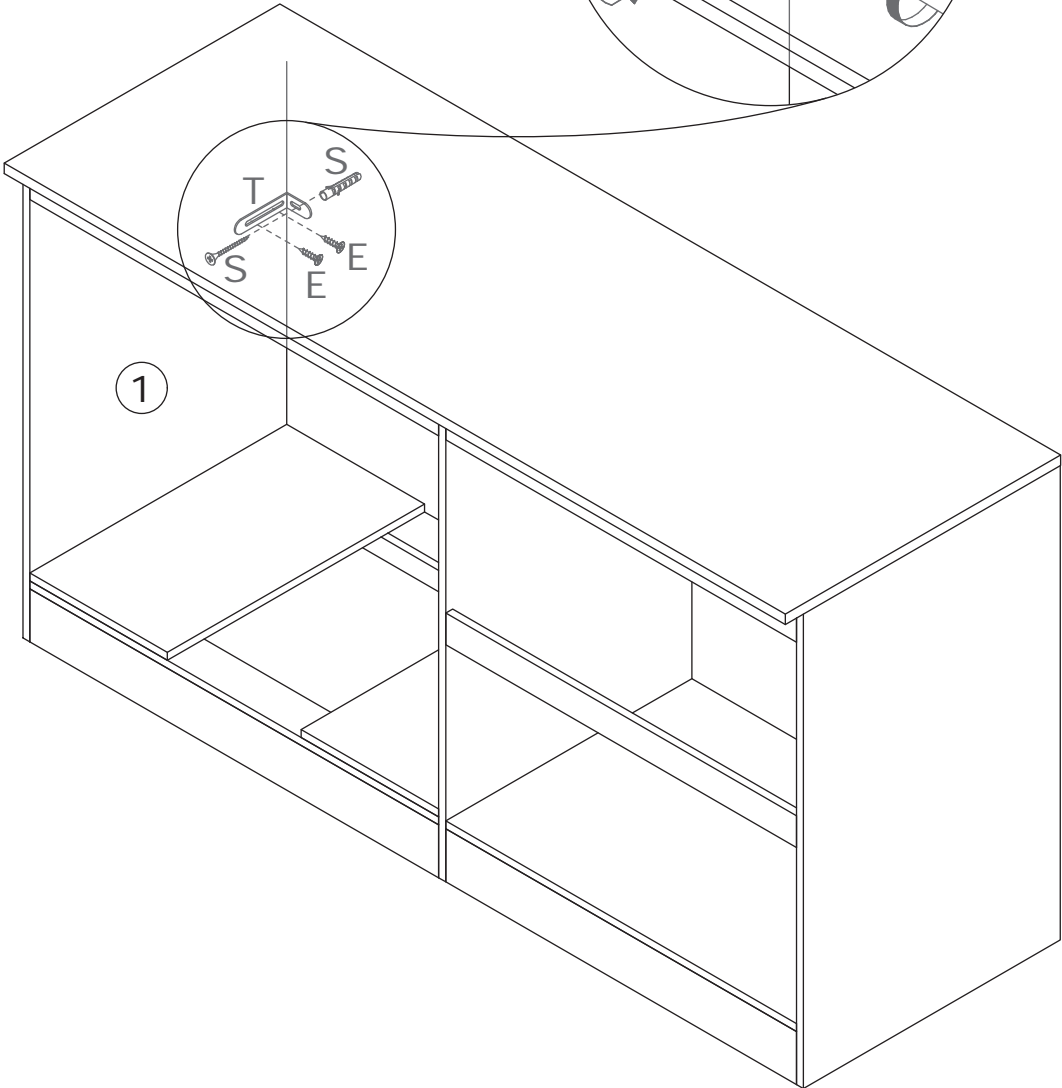
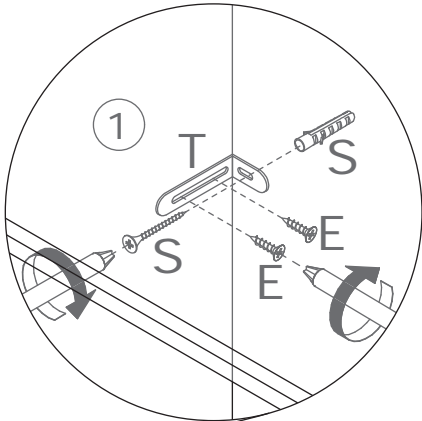


1. 
2. 
3. 
4. 

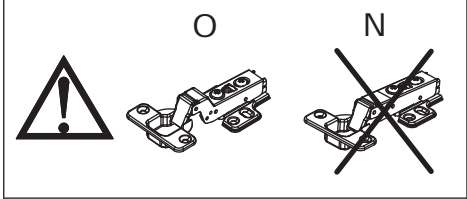
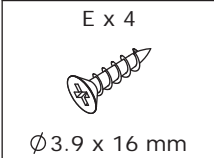
54



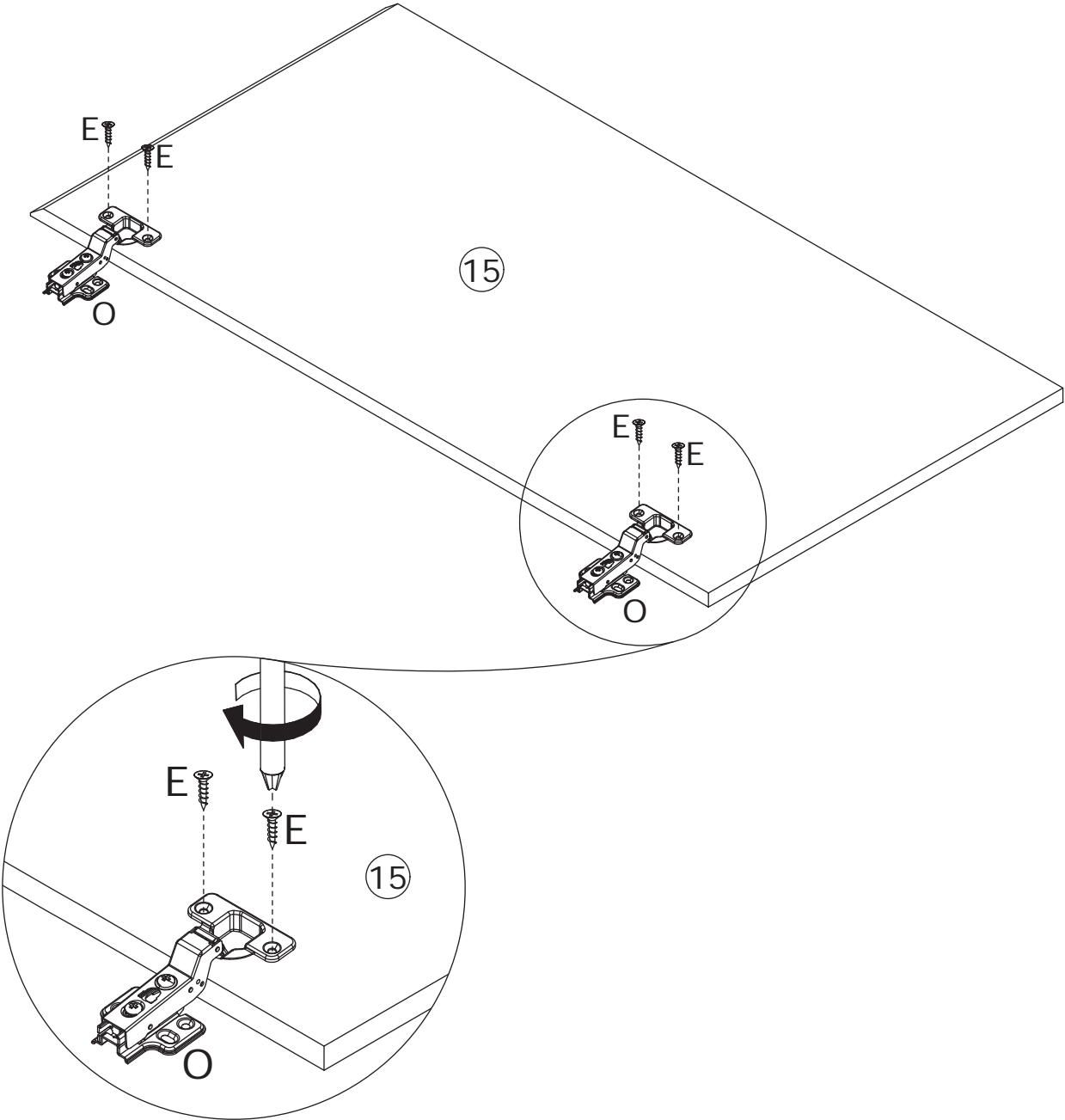
Install anti-tipping device as shown.



55



Use screw (E) to secure component (O) to panel 15.

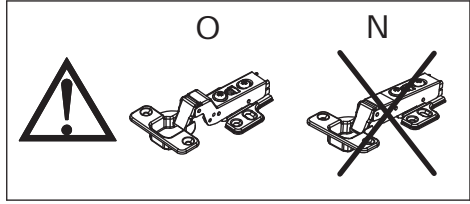
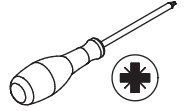


56

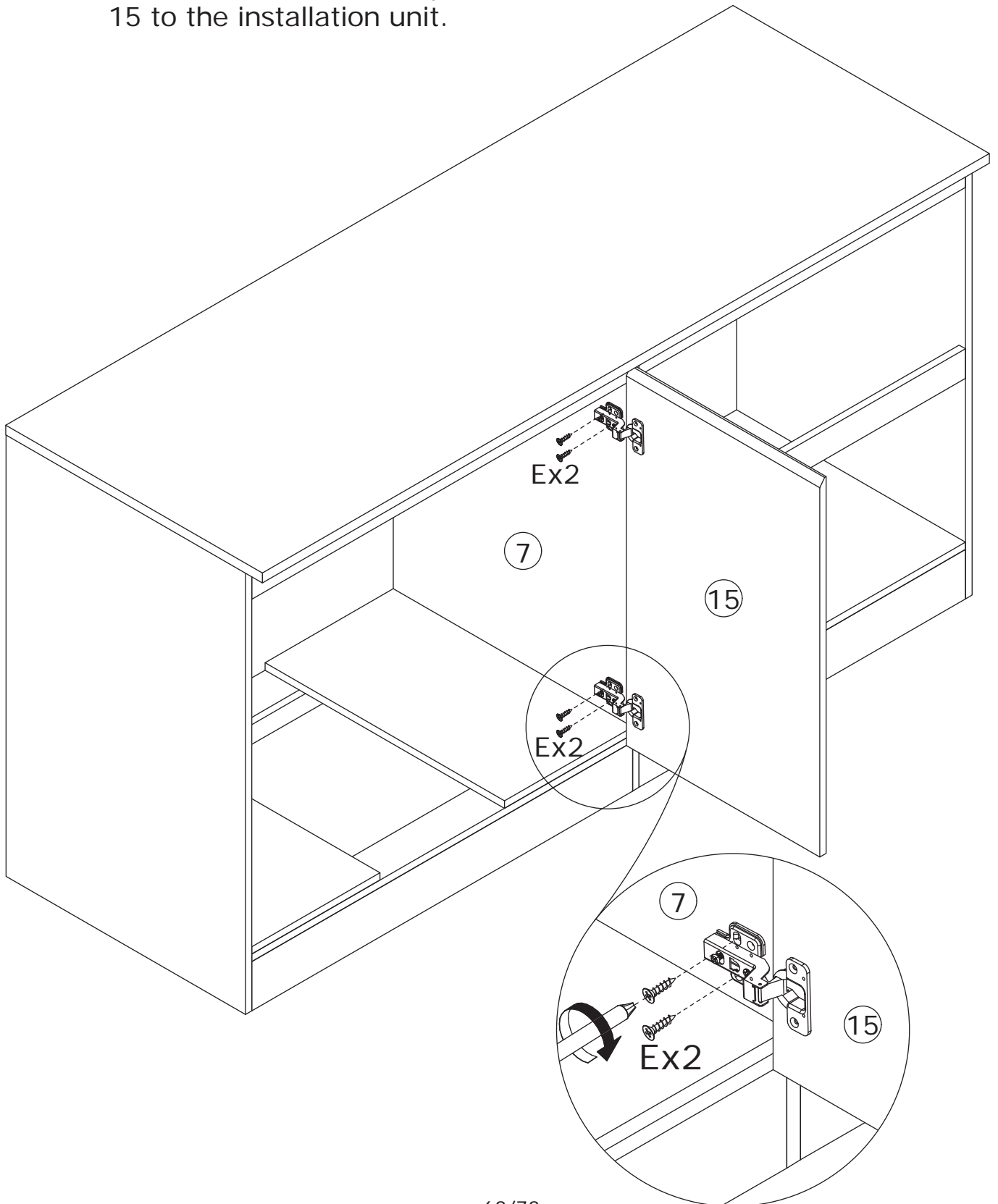
E x 4



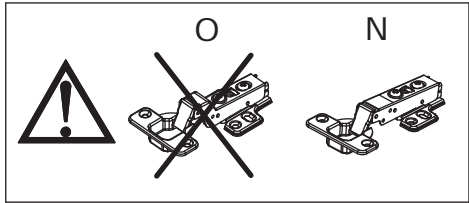
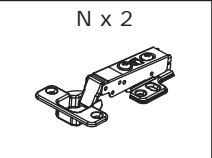
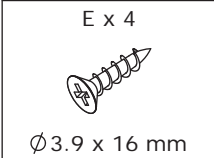
Ø3.9 x 16 mm



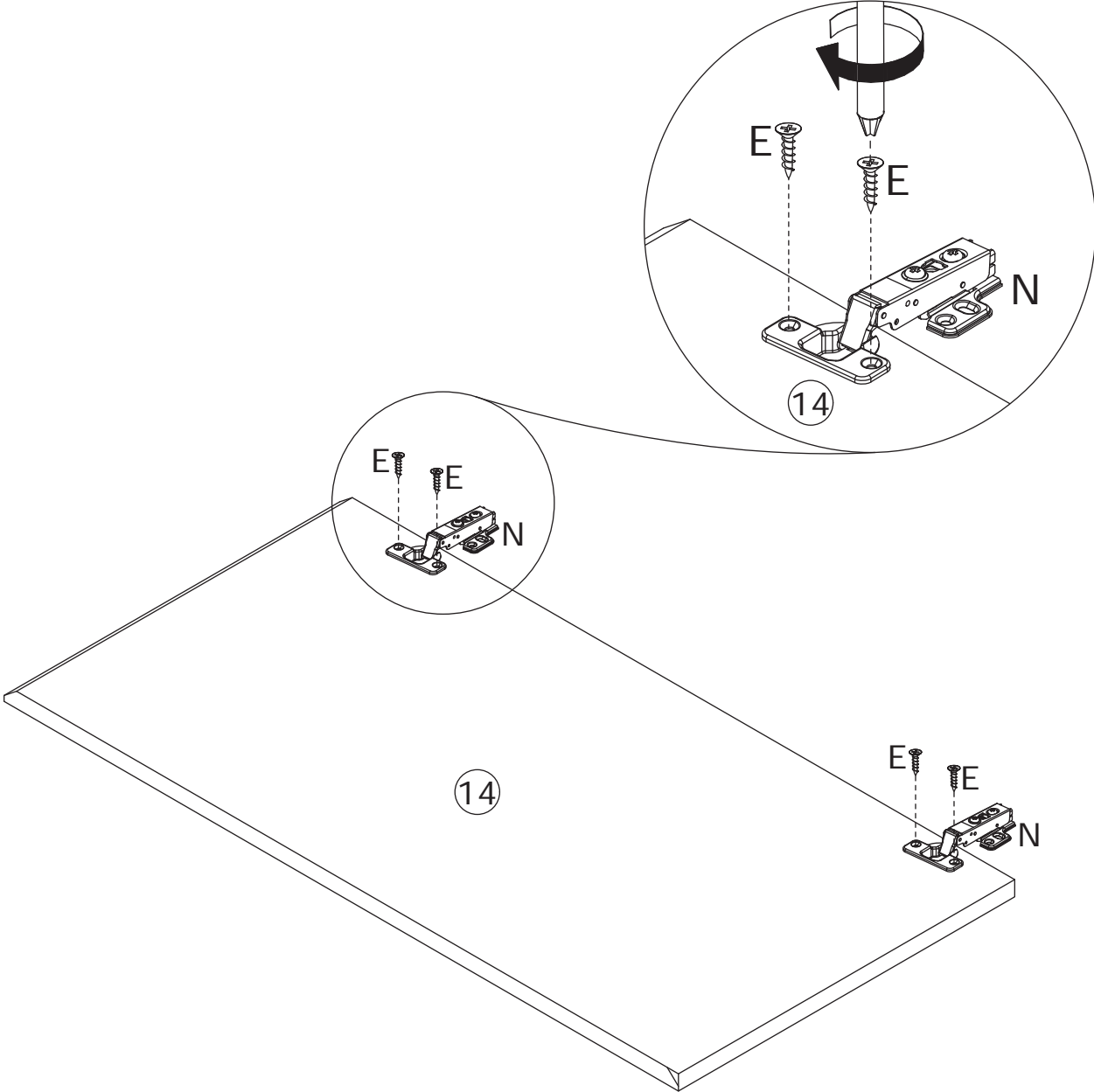
Use screw (E) to secure panel 15 to the installation unit.



57



Use screw (E) to secure component (N) to panel 14.

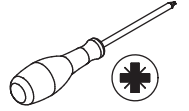


58

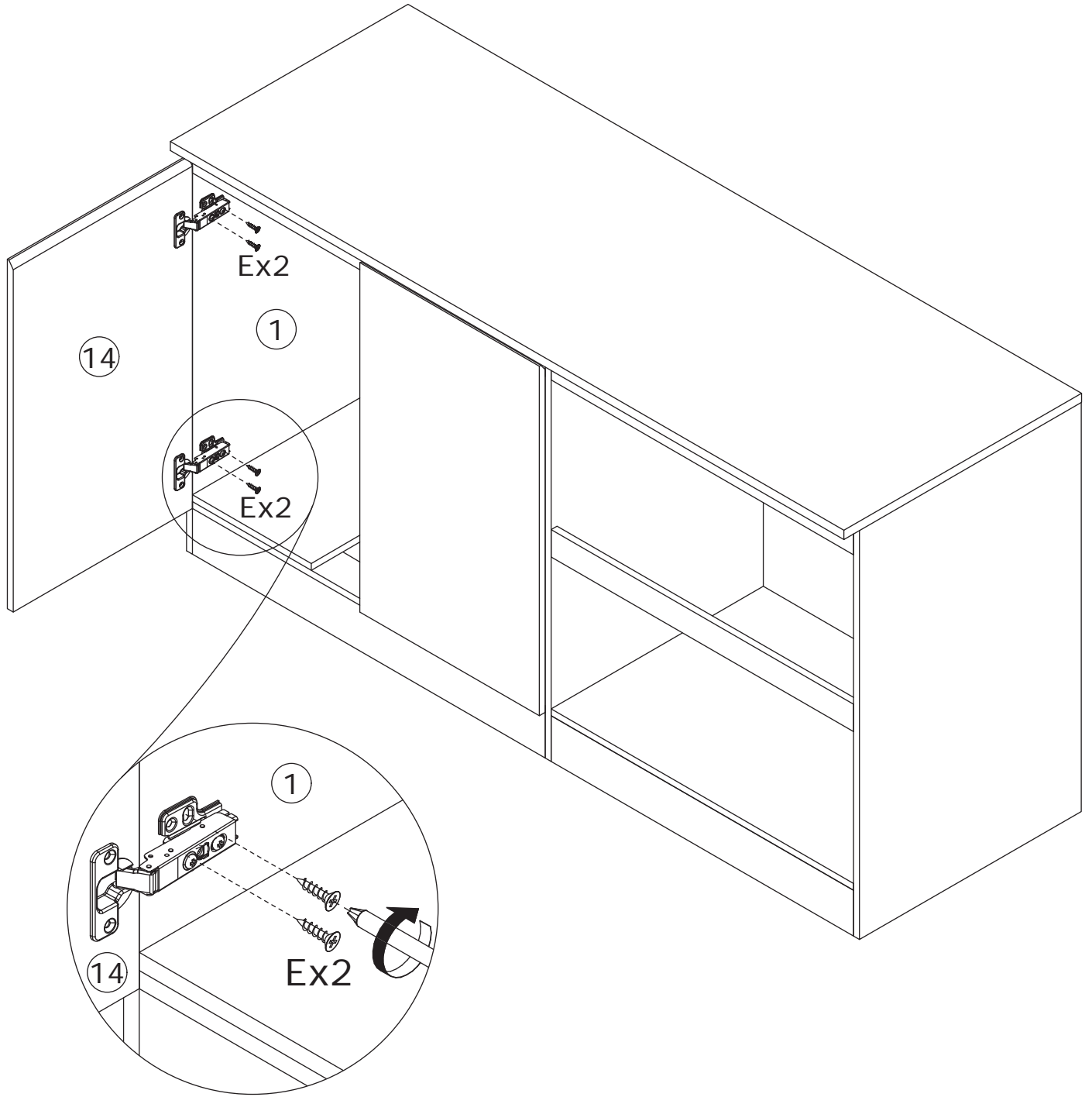
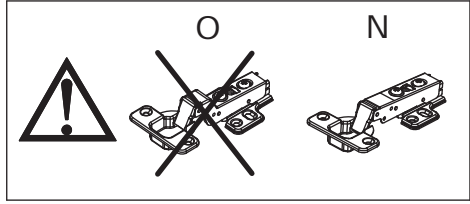
E x 4

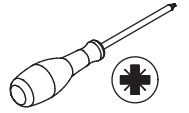


Ø3.9 x 16 mm



Use screw (E) to secure panel 14 to the installation unit.

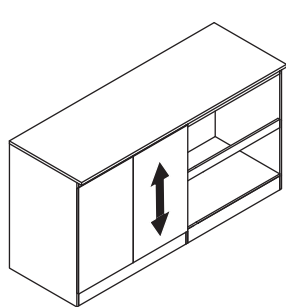
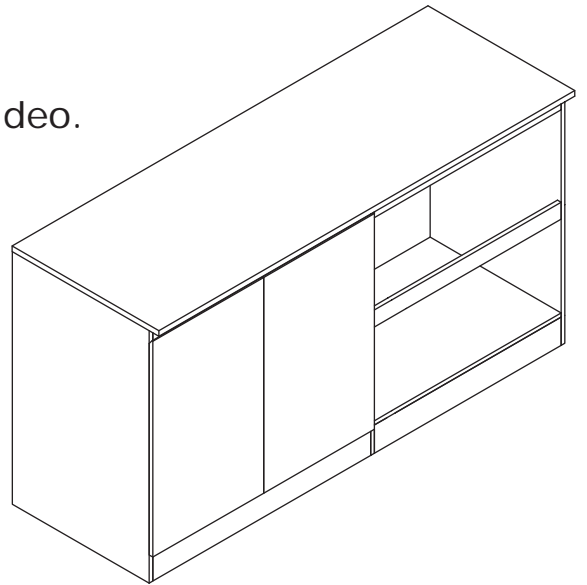




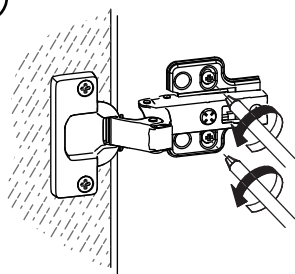
If doors are still not aligned if the hinges are properly correctly, please watch the video.

<https://youtu.be/n0Lb36SoODM>

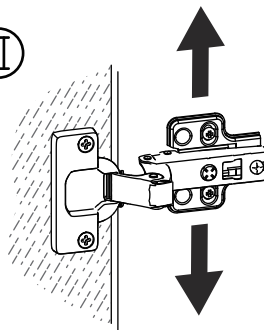
If there is misalignment after you install, adjust the screw to the best condition



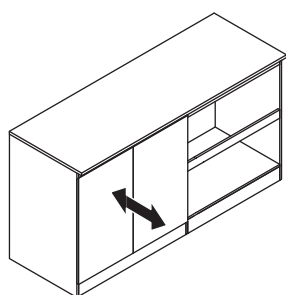
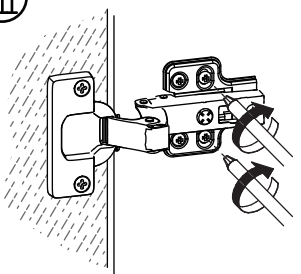
I



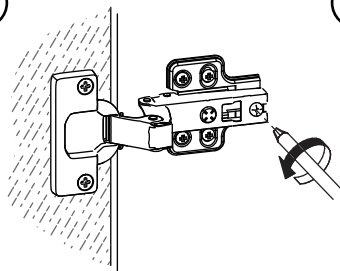
II



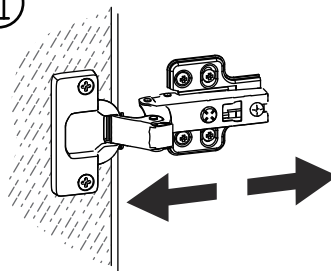
III



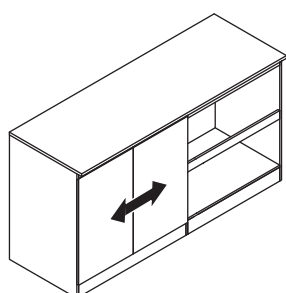
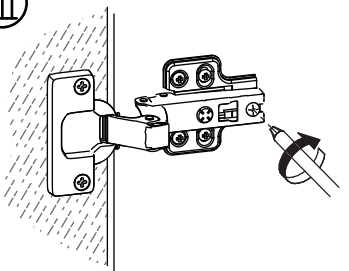
I



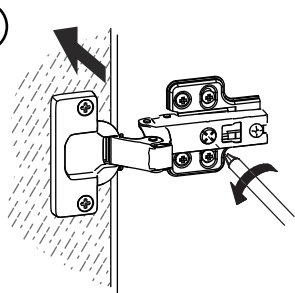
II



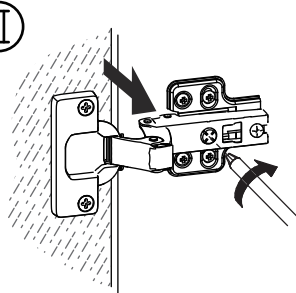
III



I



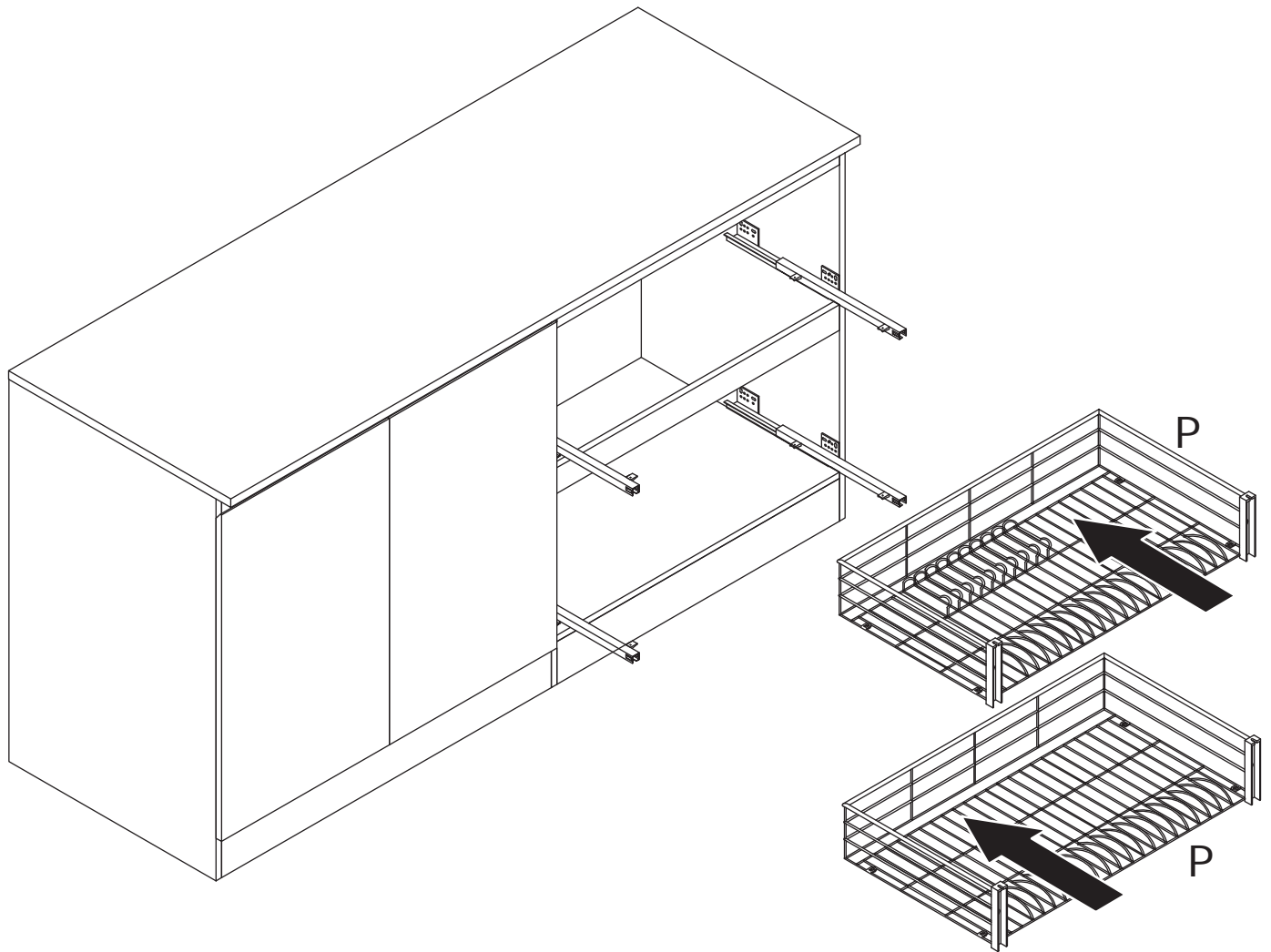
II



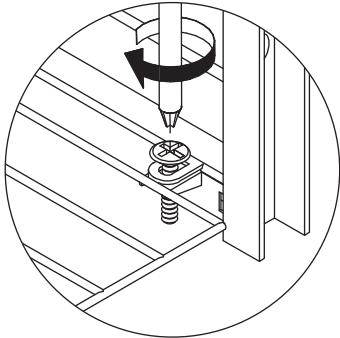
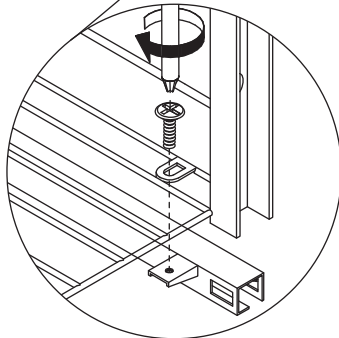
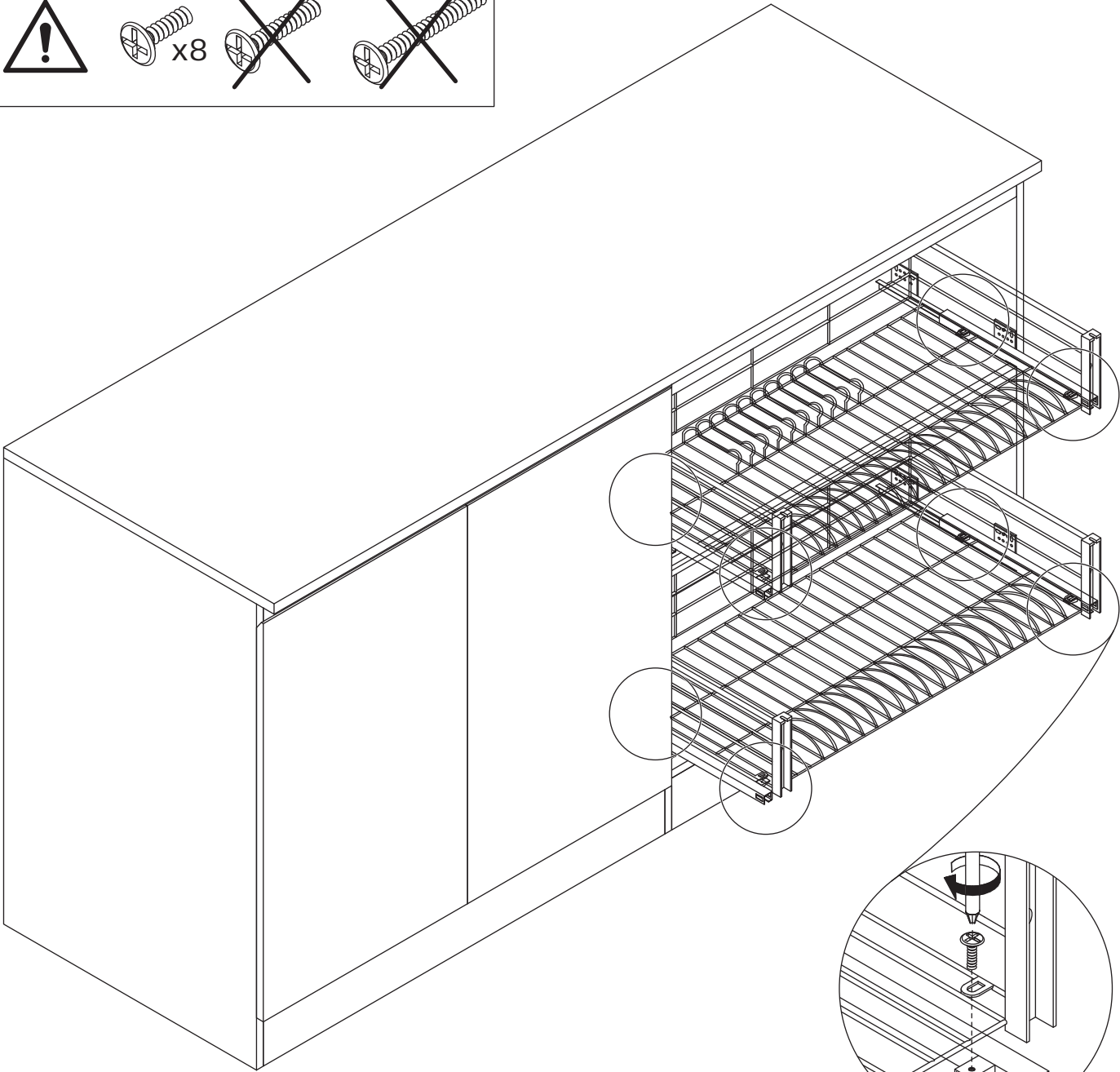
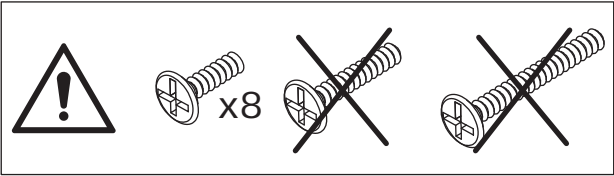
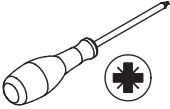
61



Place component (P) into the installation unit. □



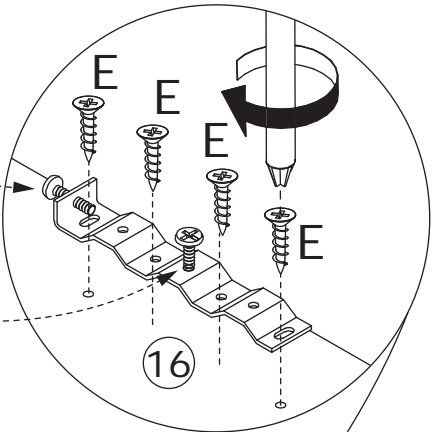
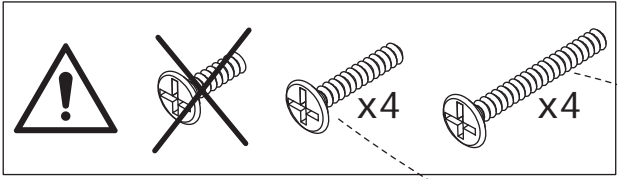
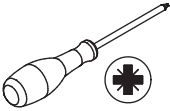
62



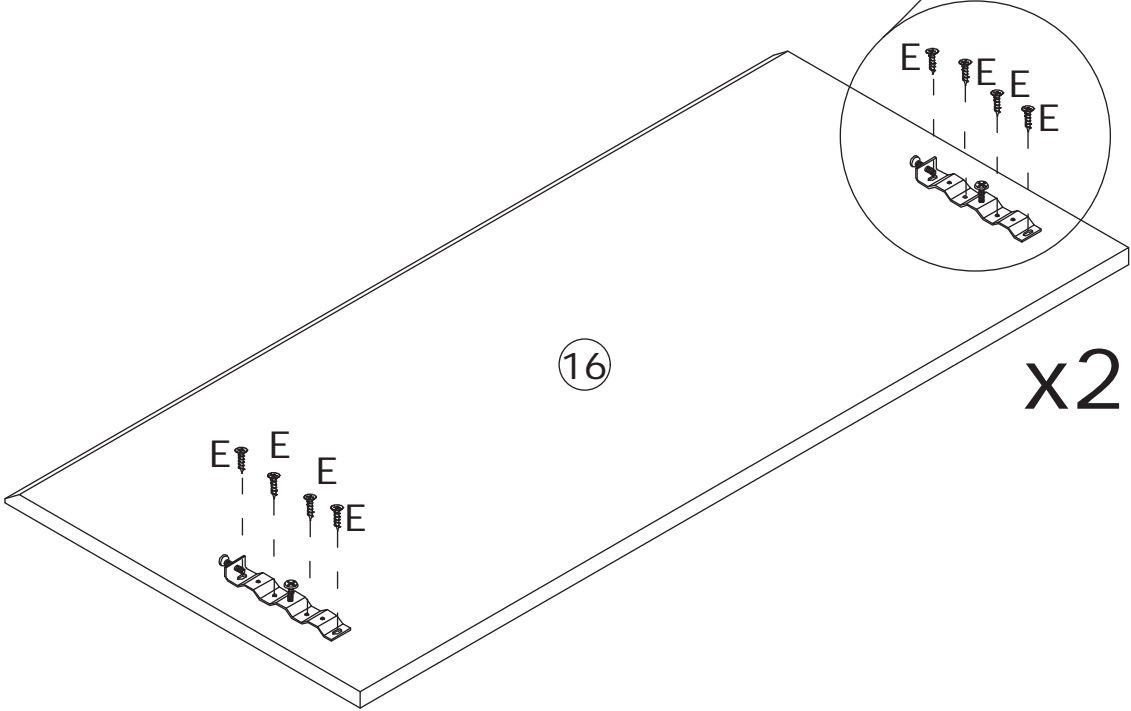
Use bolts to secure component (P) to component (L) and component (R).

63

E x 16
Ø3.9 x 16 mm

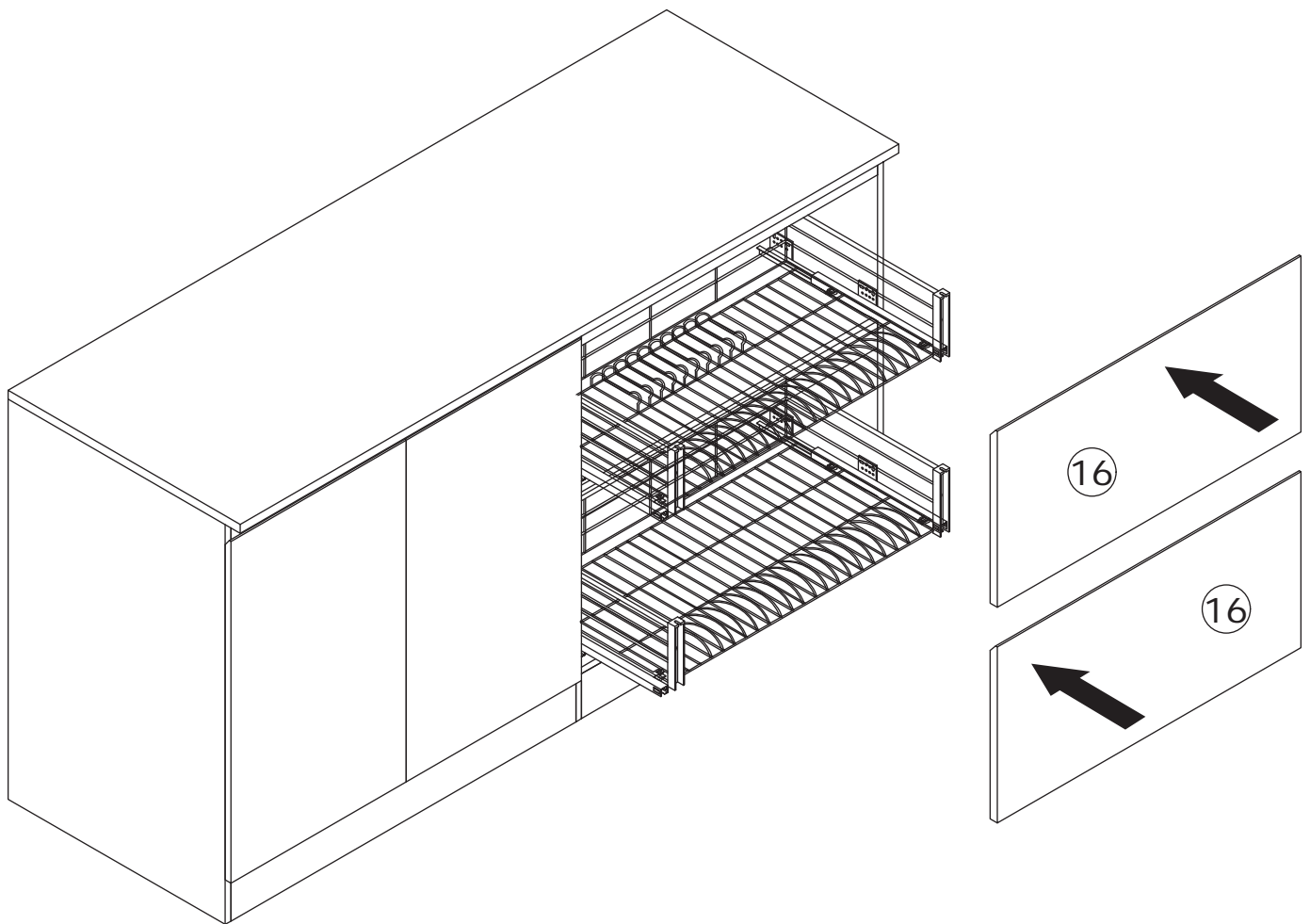


Use screw (E) to fix the basket hanger to panel 16 and tighten the basket bolt as shown.

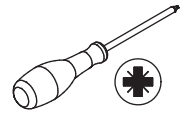


64

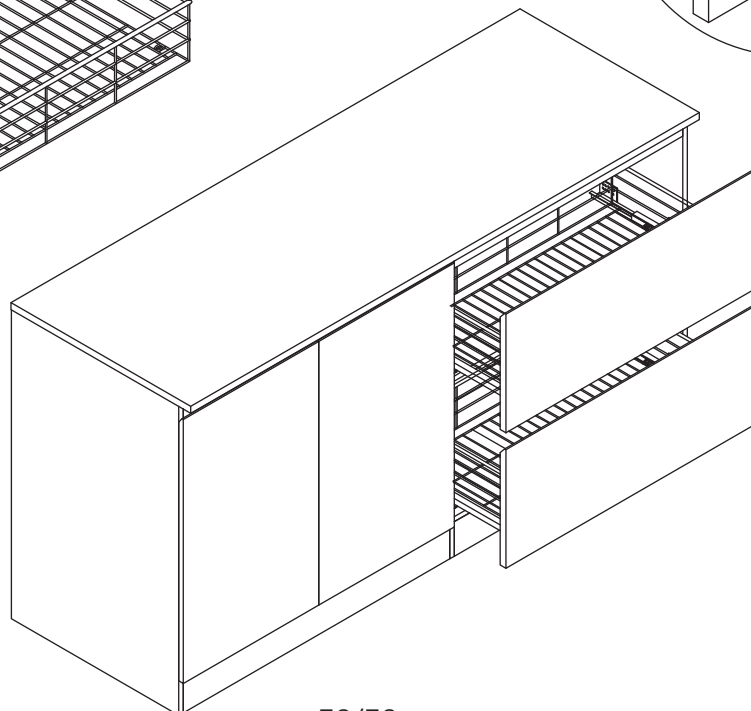
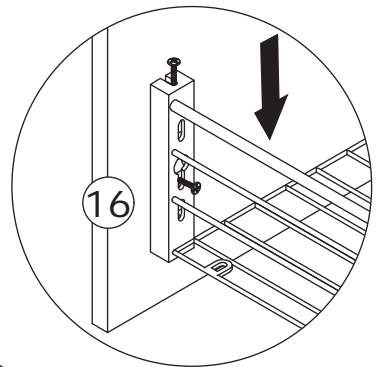
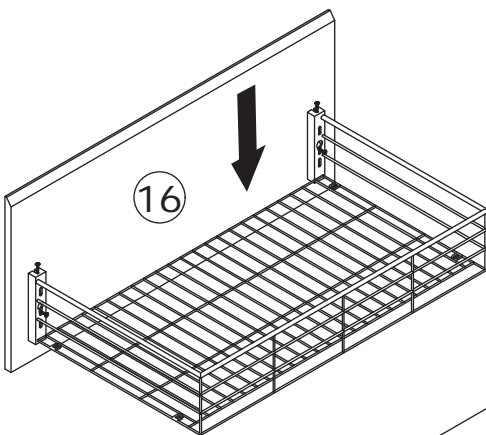
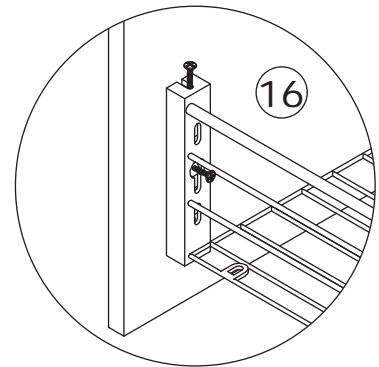
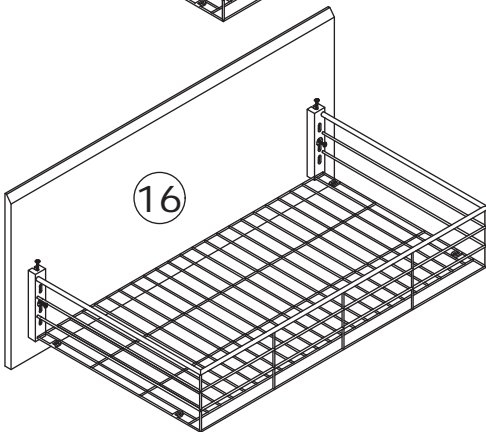
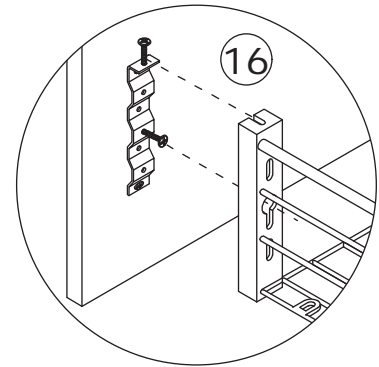
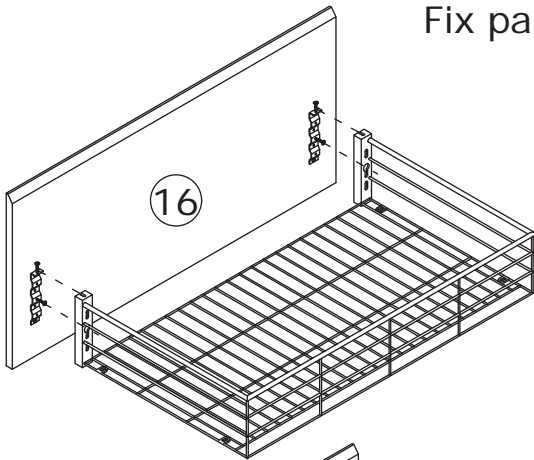
Fix panel 16 to the basket.



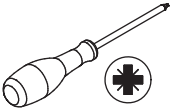
65



Fix panel 16 to the basket.



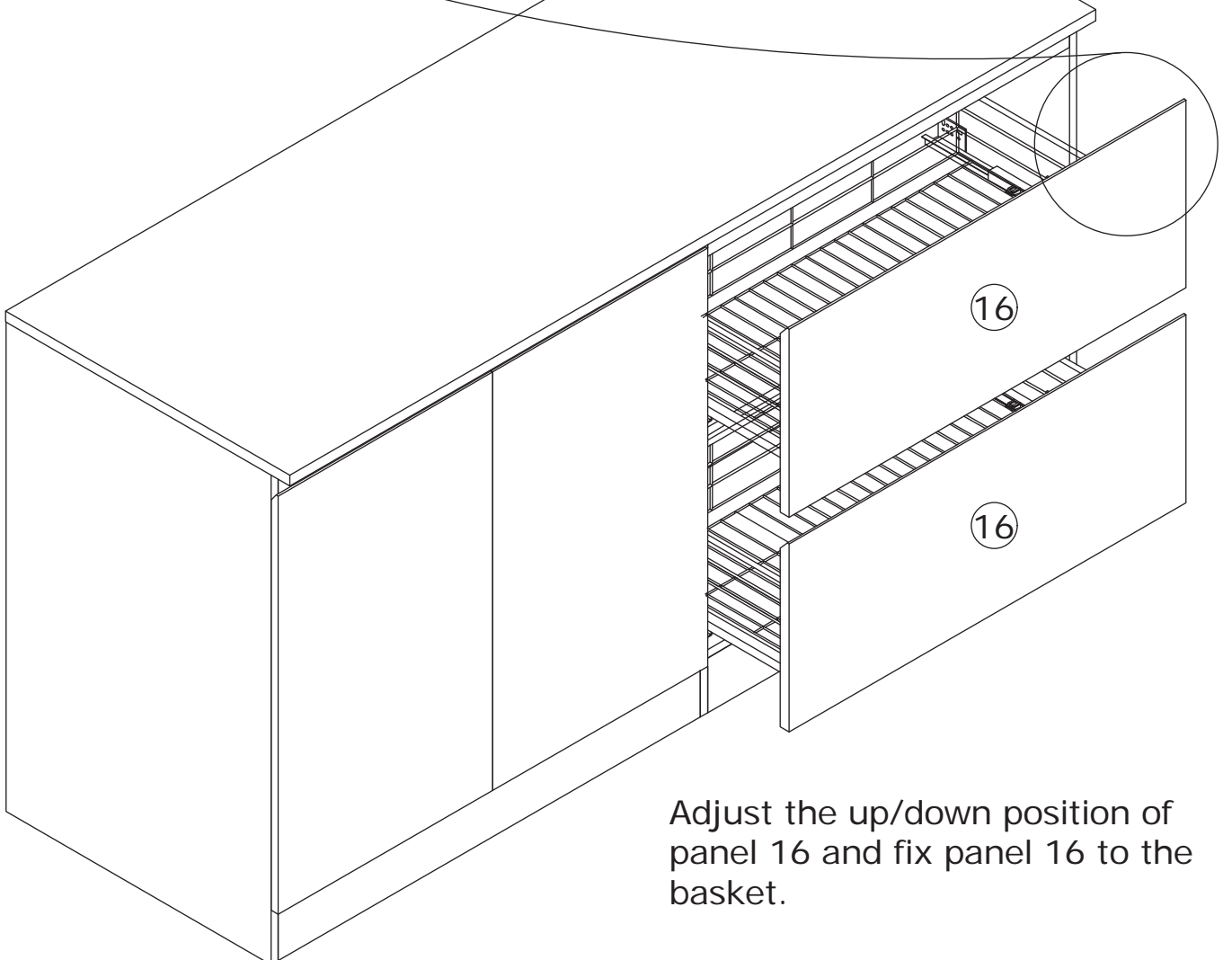
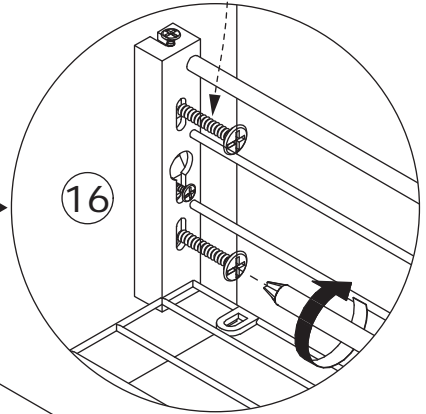
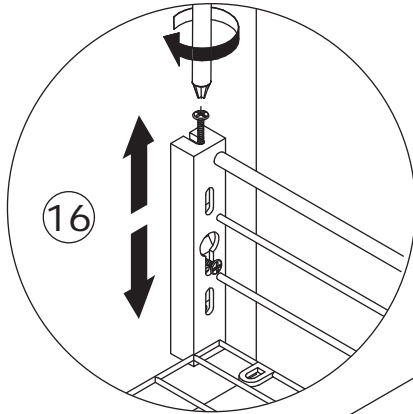
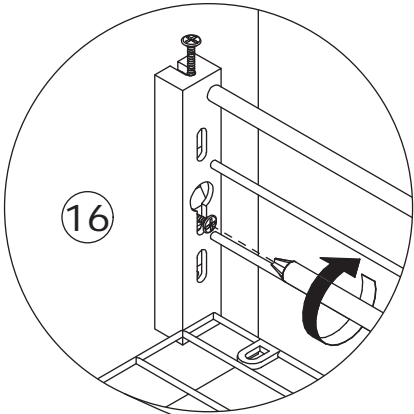
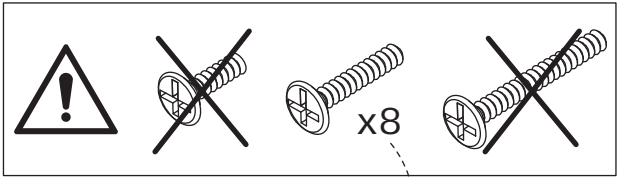
66



Tighten the screws to secure the drawer face and the pull-out basket



Adjust the vertical position of the suction surface



Adjust the up/down position of panel 16 and fix panel 16 to the basket.

WARRANTY

WARRANTY CLAIMS

- There is a 30-day warranty for broken furniture or any other problems that do not work properly. The warranty will start from the date of purchase which must be verified by proof of purchase.
- Before making a claim, we may be able to answer your query, simply call us. Please leave your purchase order number, along with some details of the problem, if you want a replacement part. We will arrange within 48 hours. If there is out of stock, we will reply with a shipping date.
- The product must be used in accordance with the instructions provided. For health reasons.
- For other reasons, if the furniture needs to be returned, it must be cleaned and dried and operated within 30 days of receipt.

Type of Warranty Claim

- Failure to follow the furniture instructions will invalidate the warranty. Attention please.
- Does not include damage during installation, but includes damage during transportation.

Scope of responsibility

- Shall not bear any responsibility for misuse or user damage and / or loss of parts during the installation of furniture.
- After using, the damage and scratches of the furniture are not covered by the warranty.

The Warranty Relates to All Bought in The Us and Covers The Following Areas

- Sheet parts: 1 month from the date of purchase.
- Electrical parts: 1 month from the date of purchase.

RETURNS

CHANGED YOUR MIND AND NEED TO RETURN YOU ITEM?

PLEASE FOLLOW THE BELOW INSTRUCTIONS:

- If you have purchased and have simply changed your mind, follow the retailer's instructions for returns.

DEFECTIVE ITEMS

- If your item is defective in any way, i.e. it doesn't work but you can't identify why, in the first instance, please call us.

DAMAGED ITEMS

- If you receive an order with obvious shipping damage from the retailer, then we suggest the delivery is refused. If the delivery has been accepted and then shipping damage is found, please follow the specific instructions advised by the retailer.
In all circumstances please save all packaging material and paperwork for the order. Please be aware that if you dispose of packaging material or attempt to return the merchandise without contacting the fulfiller, you jeopardise your chances of making a claim, and you may not receive a credit for the return.

AFTER-SALES CONTACT

