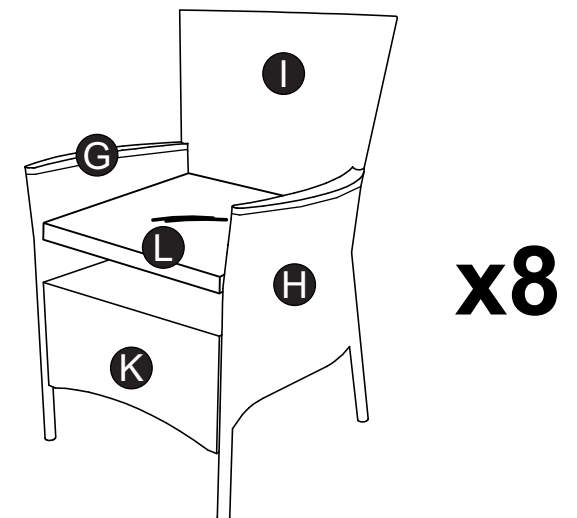
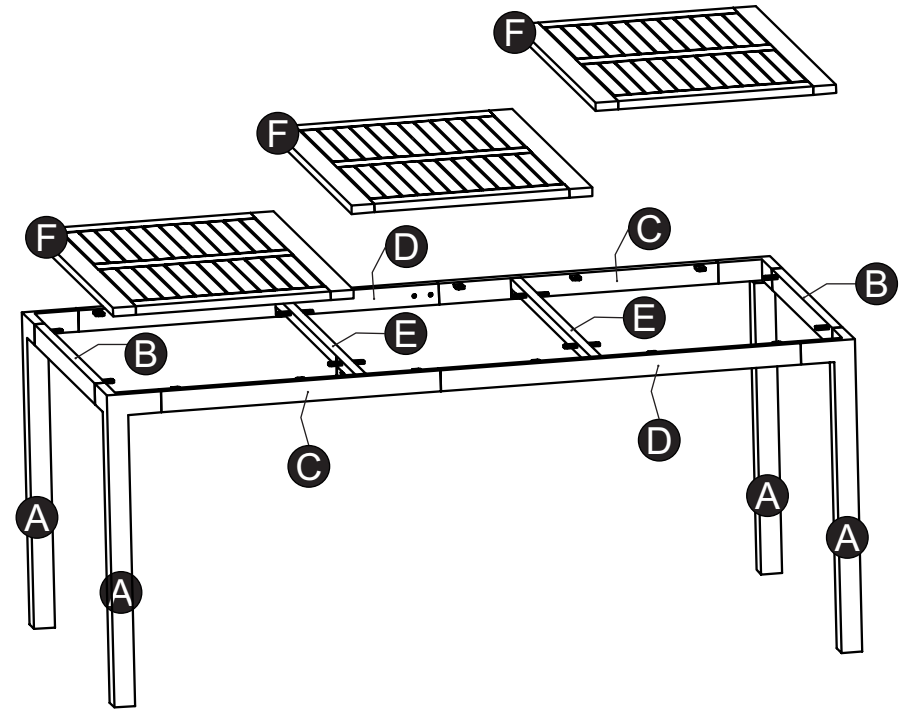
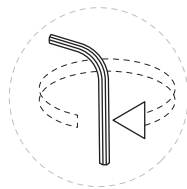
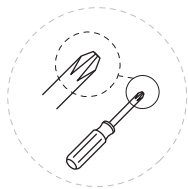
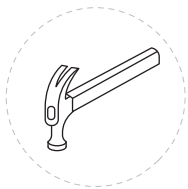
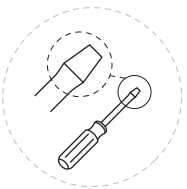
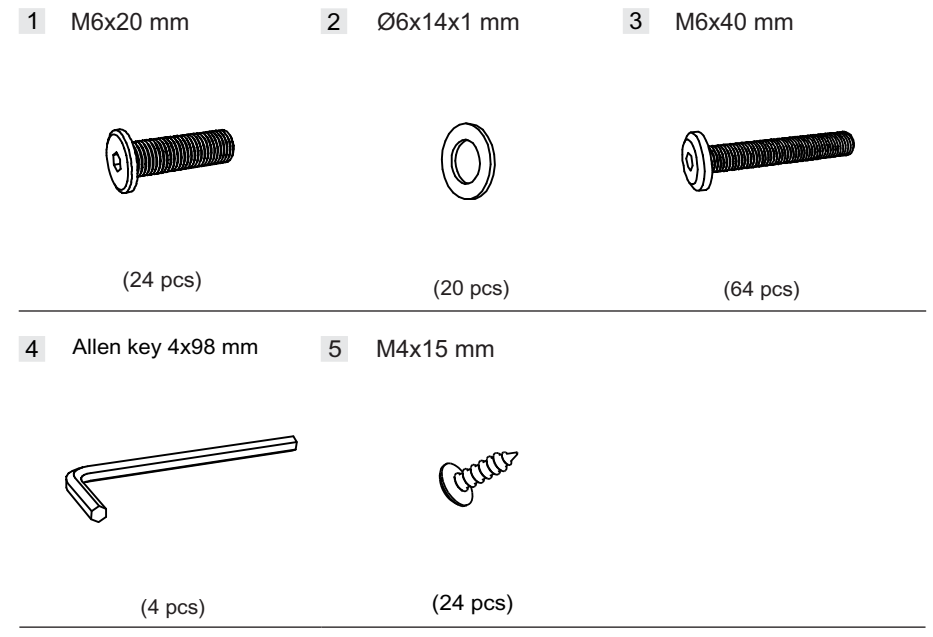
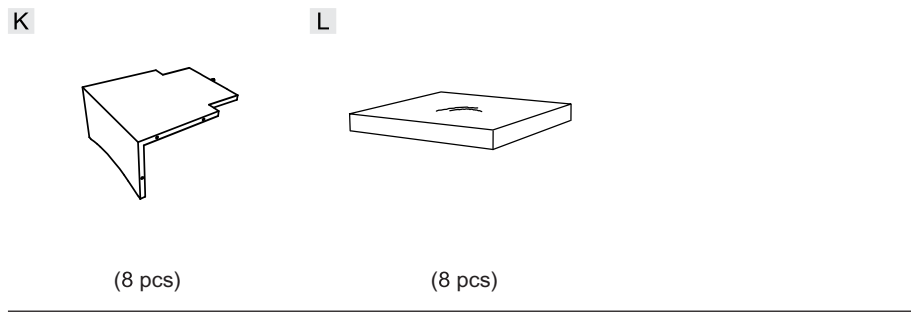
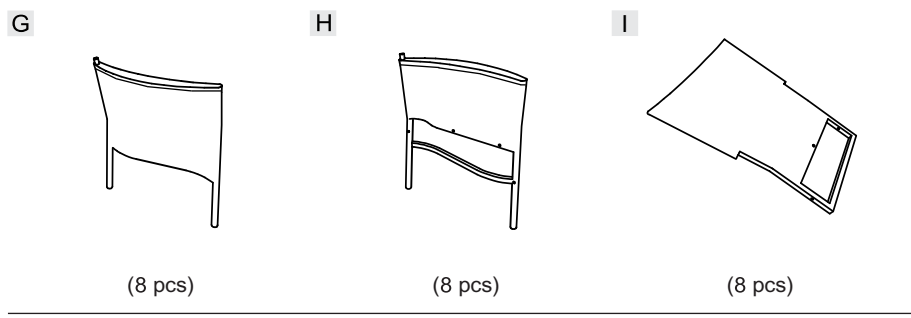
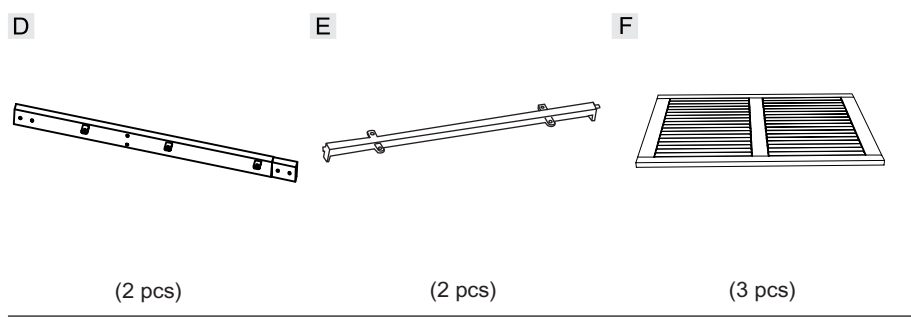
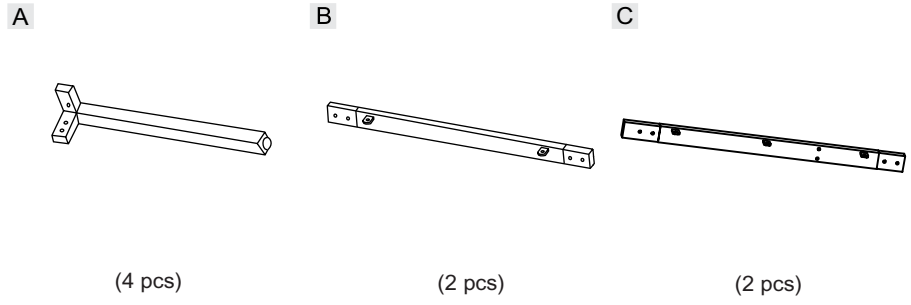




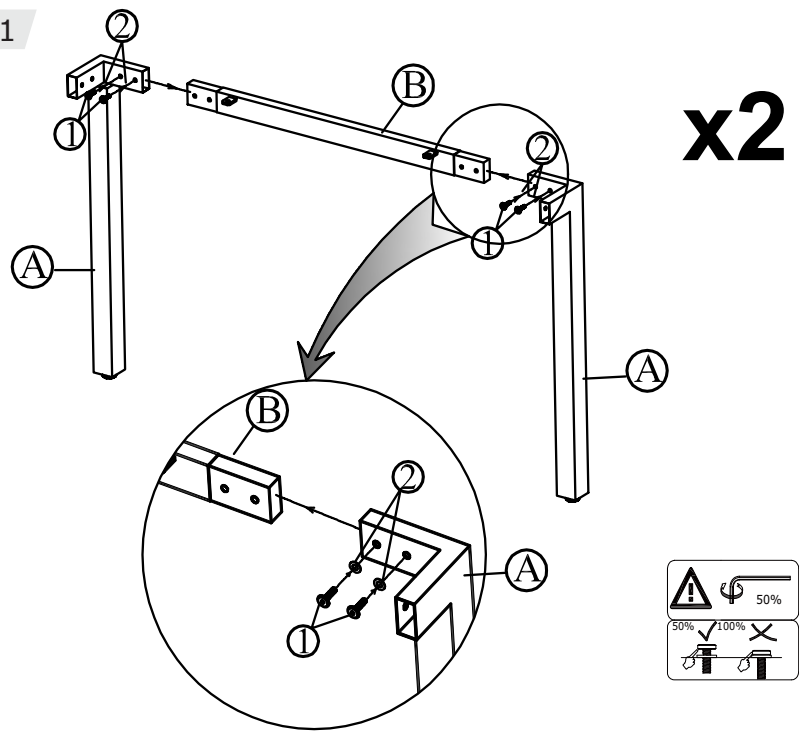
## Before You Start

- ⚠ Read each step carefully before starting. It is very important to ensure each step followed in correct order, otherwise assembly difficulties may occur.
- ⚠ Most of board parts are labeled or stamped on the raw edges. Have a check to make sure all parts are included.
- ⚠ Work in a spacious area, preferably on a carpet close to where the unit will be used.
- ⚠ Keep the handtools close at hand. Do not use power tools to assemble your furniture. They may scratch or damage the parts.



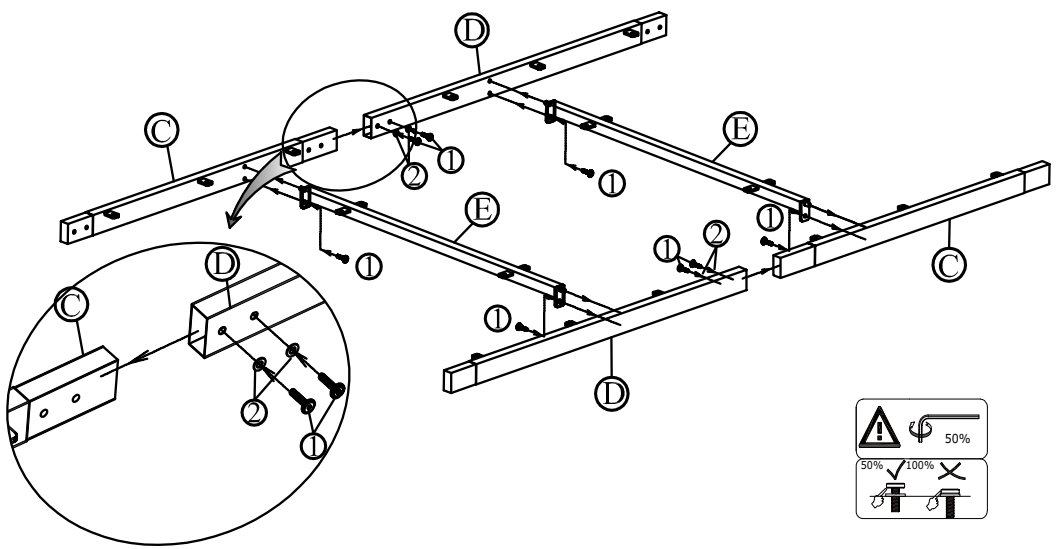


STEP 1



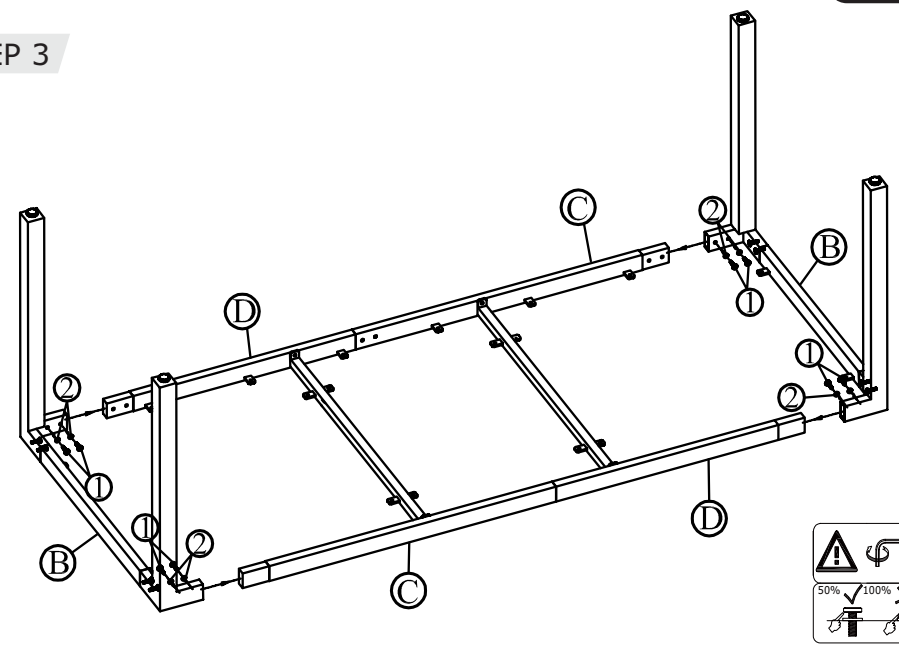
⚠ 50%  
 50% ✓ 100% ✗  
 ⚠ 50%  
 50% ✓ 100% ✗

STEP 2



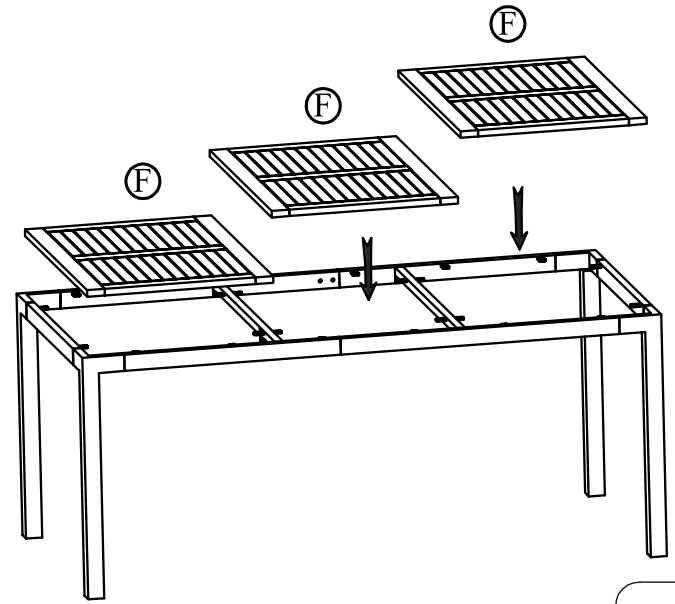
⚠ 50%  
 50% ✓ 100% ✗  
 ⚠ 50%  
 50% ✓ 100% ✗

STEP 3



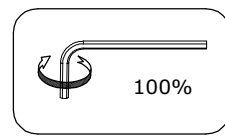
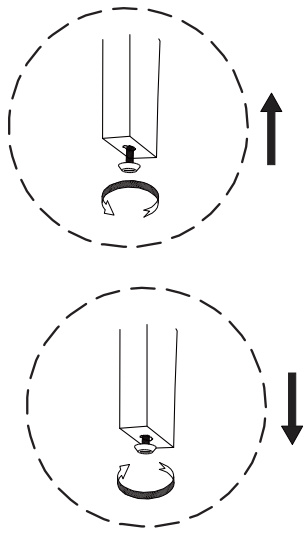
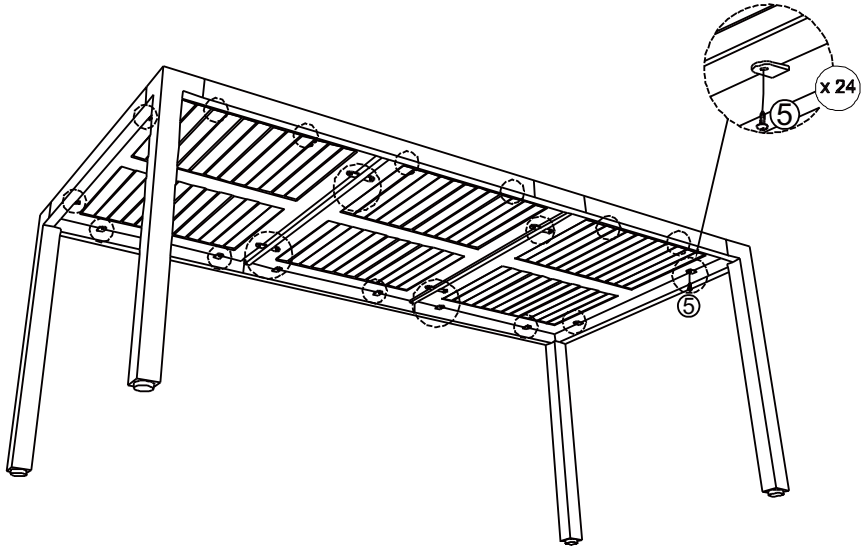
⚠ 50%  
 50% ✓ 100% ✗  
 ⚠ 50%  
 50% ✓ 100% ✗

STEP 4

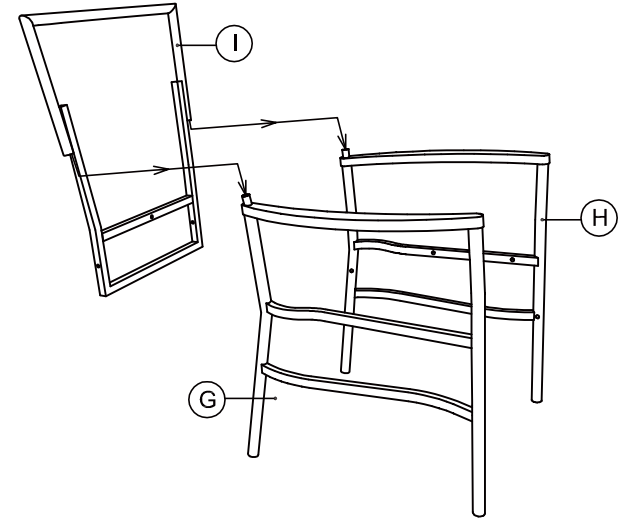


⤵ 100%

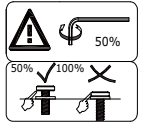
STEP 5



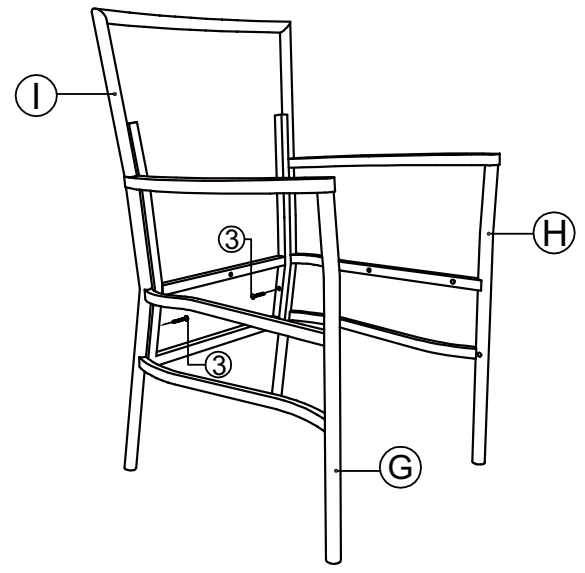
STEP 6



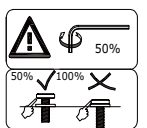
x8



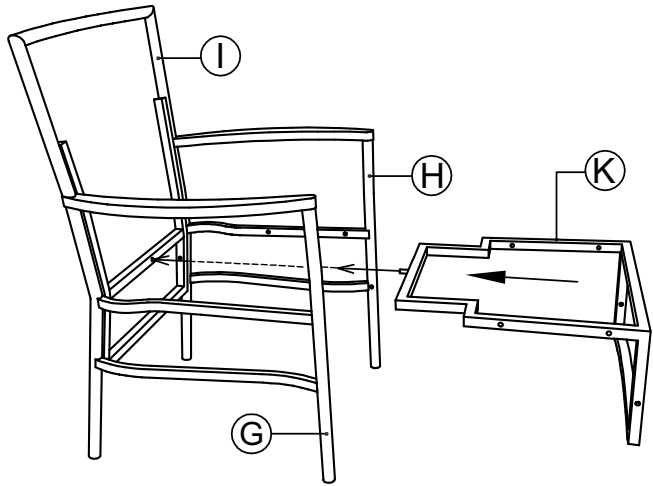
STEP 7



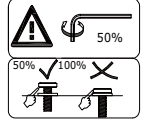
x8



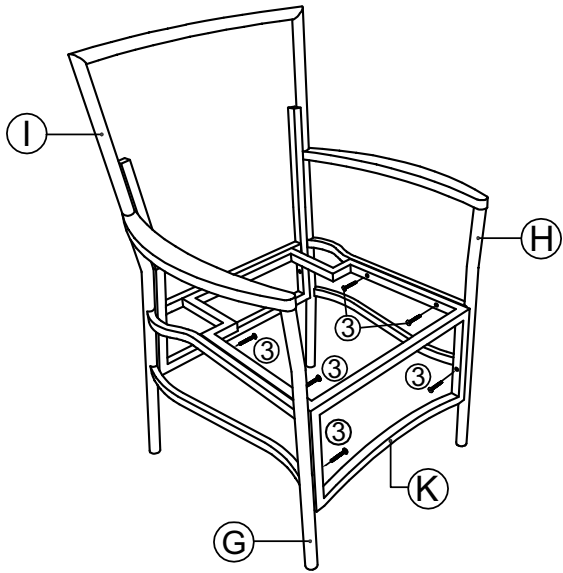
STEP 8



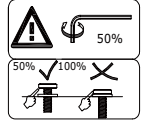
x8



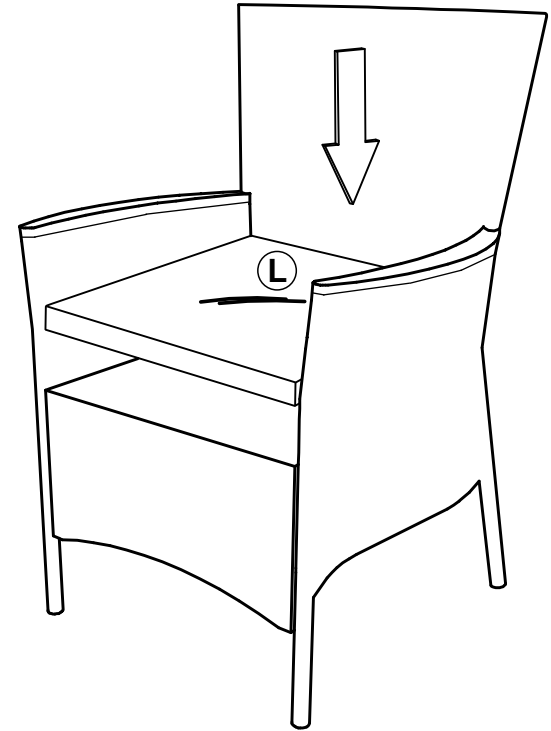
STEP 9



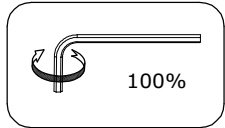
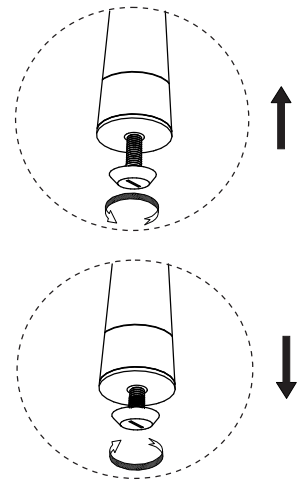
x8



STEP 10



x8



FINISH