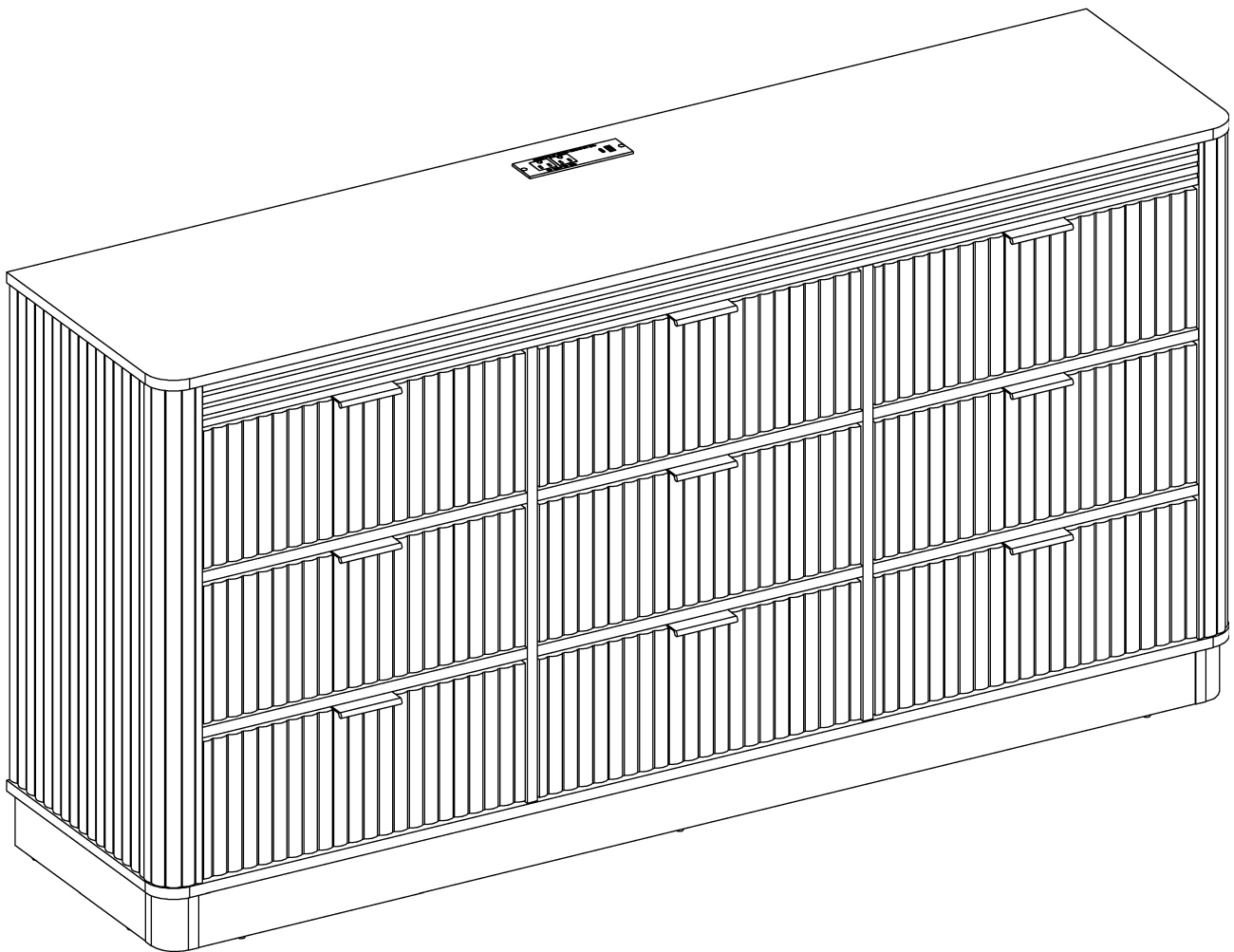


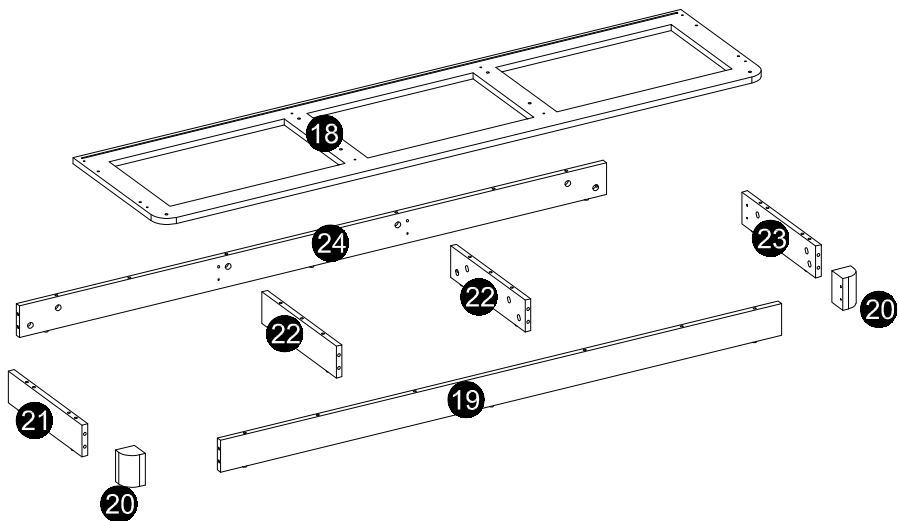
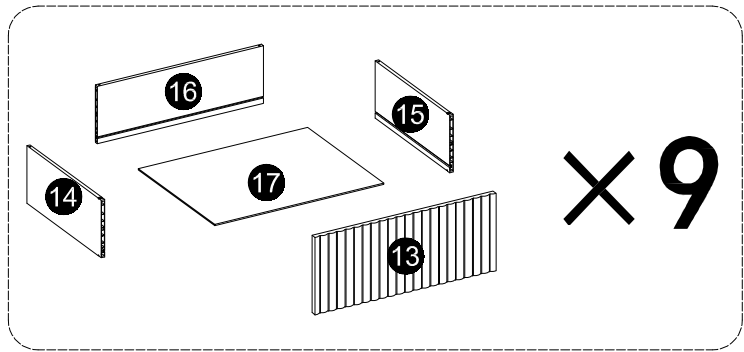
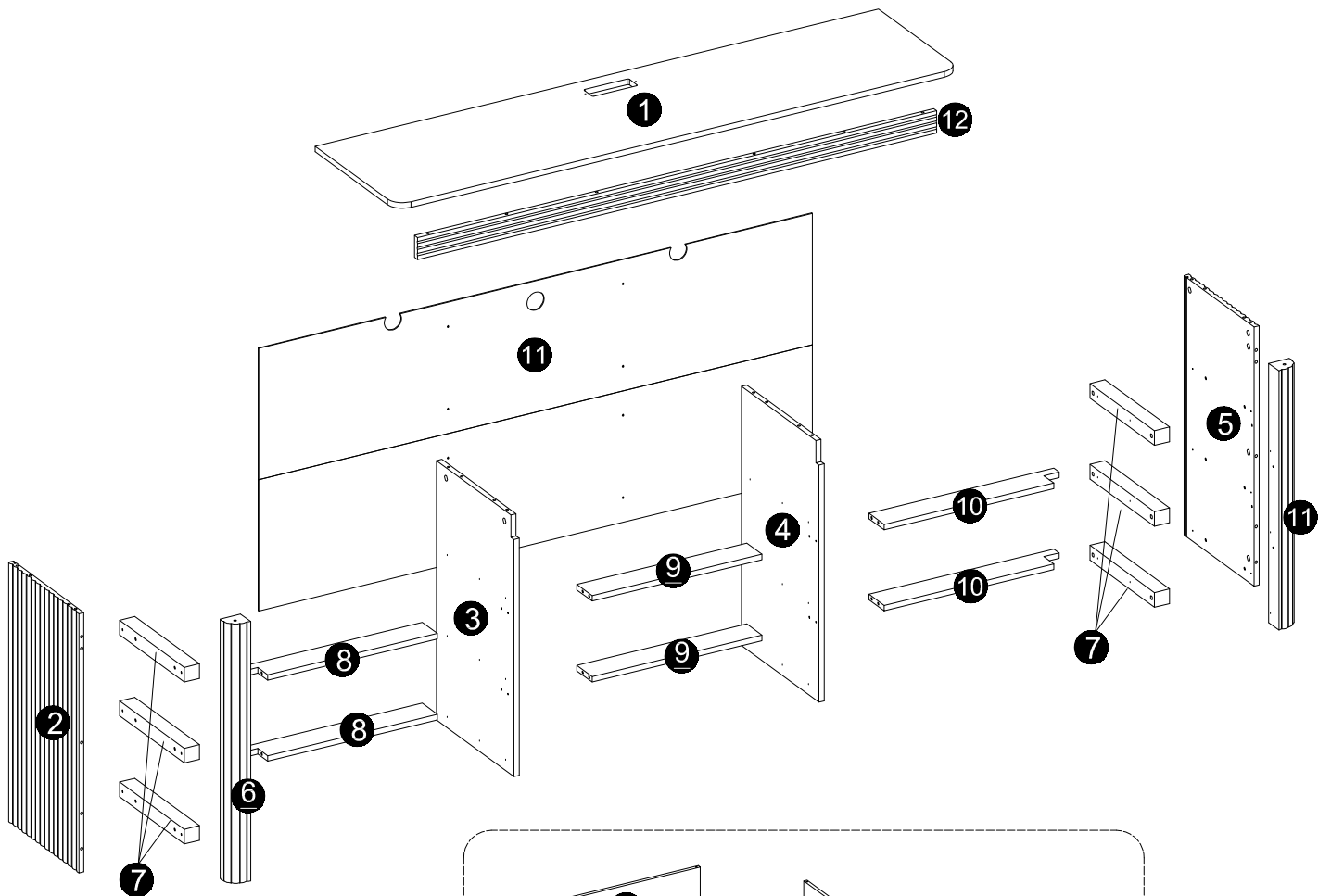
# ASSEMBLY INSTRUCTIONS



## SAFETY TIPS:

Static charge may cause dust on foam - clean with a dry or damp cloth.  
Small foam strands may be present - handle gently and dispose of properly.  
Do not burn or incinerate. Check local recycling guidelines.

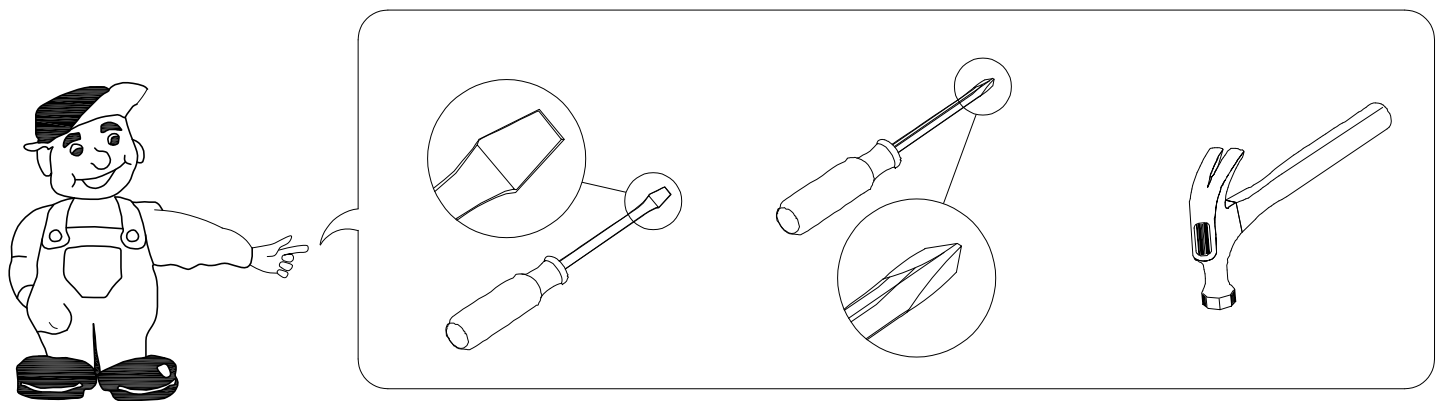
# Explosion Diagram



Important reminder:

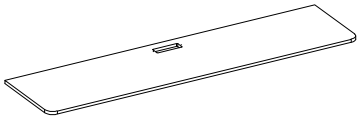
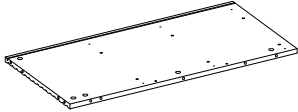
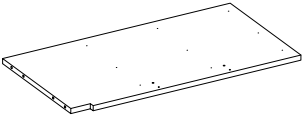
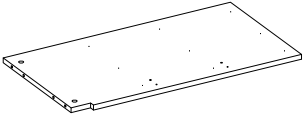
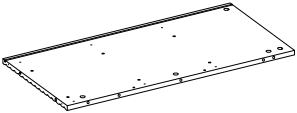
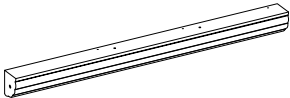
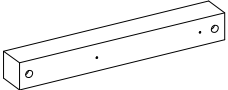
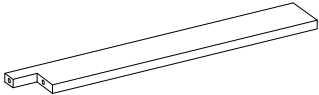
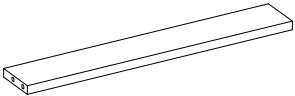
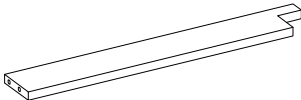
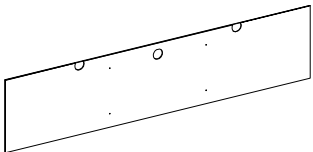
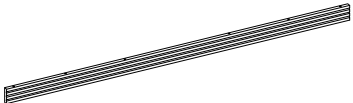
- ⚠ Please sort and check all accessories before assembly.
- ⚠ Please place the product on empty cardboard box or carpet to avoid scratches on it,
- ⚠ Please use proper tools for assembly. Using an electric screwdriver can accelerate the assembly speed, but please do not overtighten the screws.
- ⚠ Please follow the assembly steps and do not skip any of them
- ⚠ If possible, please find a partner to help you with assembly, which can accelerate assembly.
- ⚠ Keep all small parts of this product away from children. They may cause serious injury.
- ⚠ We hope you can retighten the screws 2 weeks after assembly, and check the tightening procedure of the screws every 3 months.

If you meet any difficulty, our friendly customer team are always ready to help you.

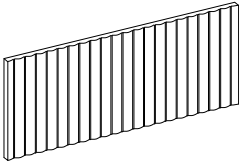
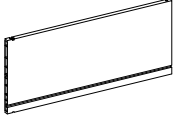
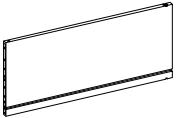
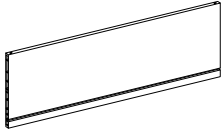
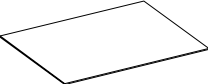
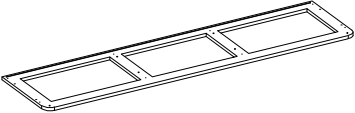
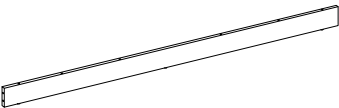
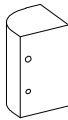
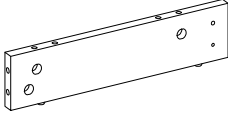
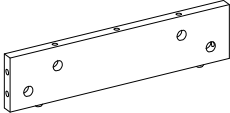
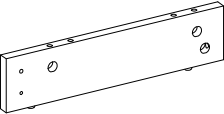
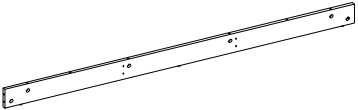


**Warning:**Overturning the product can cause serious crushing injuries. We have a wall connection device attached, please use it to hold the furniture following assembly instructions. Do not change the structure of this product in way. Our products have been tested and meet any all sales specific security measures. We won't be responsible for any modifications, which may cause significant security risks.

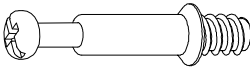

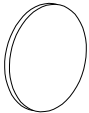
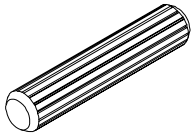
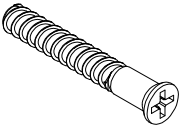
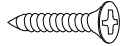
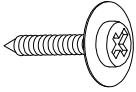
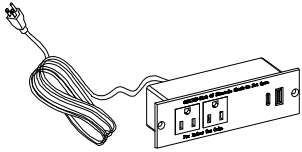
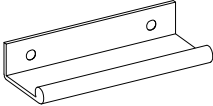



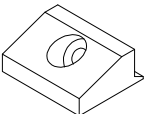
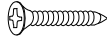
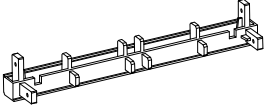
# LIST


Item no.	Reference Image	Qty.	Item no.	Reference Image	Qty.
<b>1</b>		<b>×1</b>	<b>2</b>		<b>×1</b>
<b>3</b>		<b>×1</b>	<b>4</b>		<b>×1</b>
<b>5</b>		<b>×1</b>	<b>6</b>		<b>×1</b>
<b>7</b>		<b>×6</b>	<b>8</b>		<b>×2</b>
<b>9</b>		<b>×2</b>	<b>10</b>		<b>×2</b>
<b>11</b>		<b>×1</b>	<b>12</b>		<b>×1</b>

# LIST

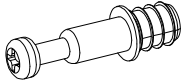
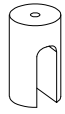
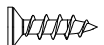

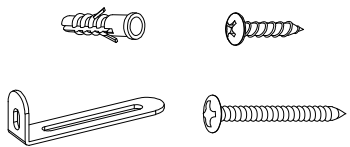
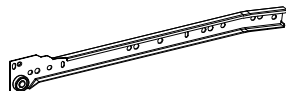
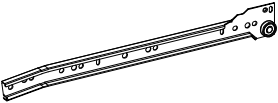
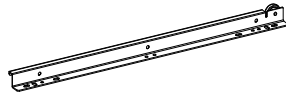
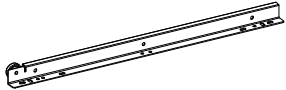
Item no.	Reference Image	Qty.	Item no.	Reference Image	Qty.
<b>13</b>		<b>×9</b>	<b>14</b>		<b>×9</b>
<b>15</b>		<b>×9</b>	<b>16</b>		<b>×9</b>
<b>17</b>		<b>×9</b>	<b>18</b>		<b>×1</b>
<b>19</b>		<b>×1</b>	<b>20</b>		<b>×2</b>
<b>21</b>		<b>×1</b>	<b>22</b>		<b>×2</b>
<b>23</b>		<b>×1</b>	<b>24</b>		<b>×1</b>


# HARDWARE LIST

Item no.	Reference Image	Qty.	Item no.	Reference Image	Qty.
<b>A</b>	 ϕ6x35mm	× 56 +2pcs	<b>B</b>	 ϕ15x9.5mm	× 56 +2pcs
<b>C</b>	 ϕ30mm	× 56 +2pcs	<b>D</b>	 ϕ8x30mm	× 12 +1pc
<b>E</b>	 ϕ5*50mm	× 8 +1pc	<b>F</b>	 ϕ3.5x12mm	× 108 +3pcs
<b>G</b>	 ϕ3.5x12mm	× 8 +1pc	<b>H</b>		× 1
<b>I</b>	 90mmL	× 9	<b>J</b>	 ϕ3.5x12mm	× 20 +2pcs
<b>K</b>	 ϕ6x30mm	× 58 +2pcs	<b>L</b>	 Glue	× 1
<b>M</b>	 	× 12 +1pc	<b>N</b>	 145mmL	× 18

 **Tips:** The number after "+" represents the spare hardware.

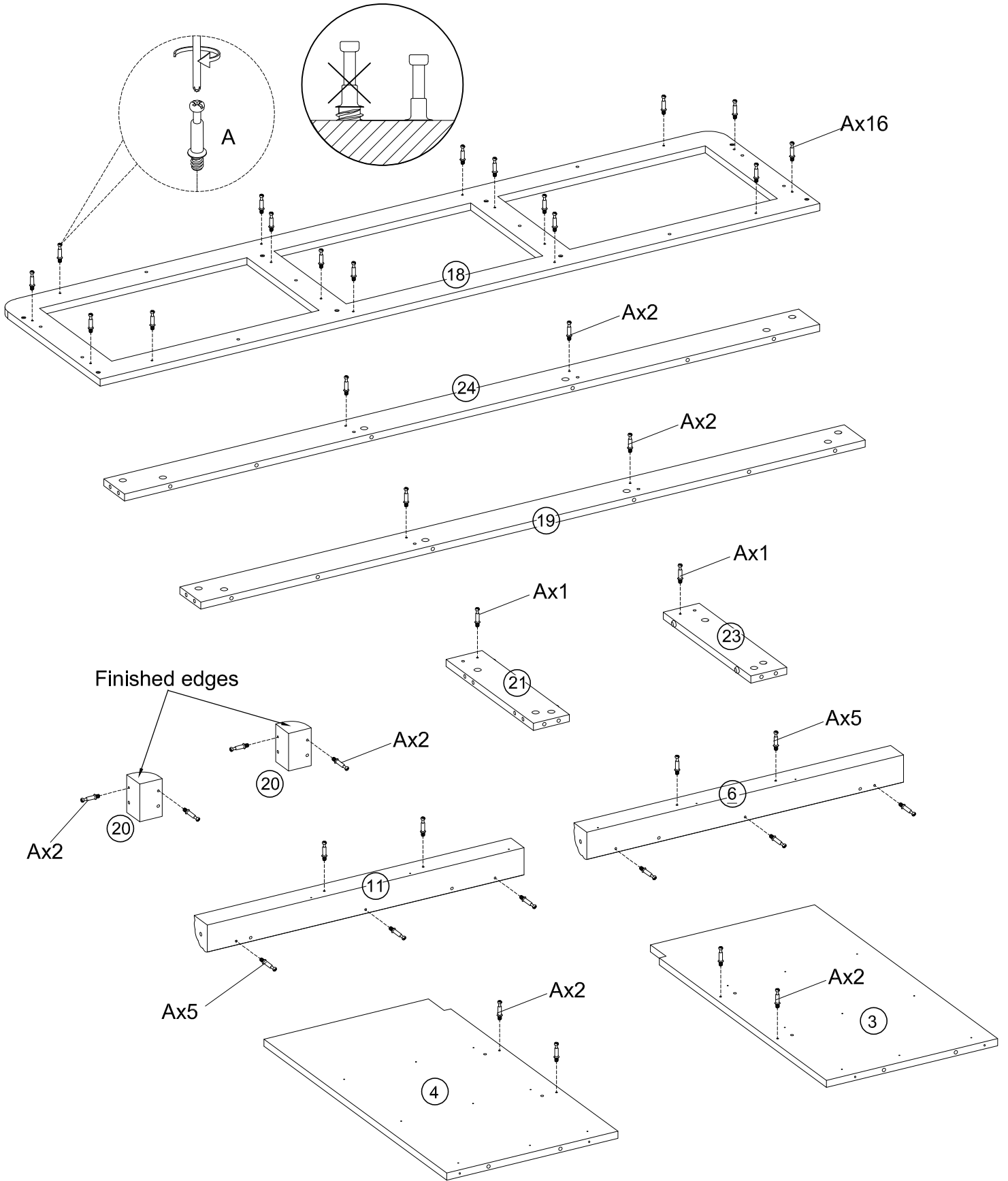
# HARDWARE LIST

Item no.	Reference Image	Qty.	Item no.	Reference Image	Qty.
<b>O</b>	 ø6x24mm	× 36 +2pcs	<b>P</b>		× 36 +2pcs
<b>Q</b>	 ø3x12mm	× 72 +2pcs	<b>R</b>	 M5x50mm	× 12 +1pc
<b>S</b>		× 2	<b>CL</b>	 350mm	× 9
<b>CR</b>	 350mm	× 9	<b>DL</b>	 350mm	× 9
<b>DR</b>	 350mm	× 9			

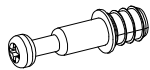
 **Tips:** The number after "+" represents the spare hardware.

# 1

Ax40



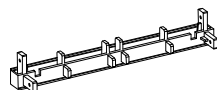
# 2



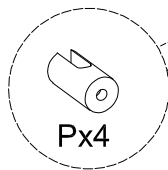
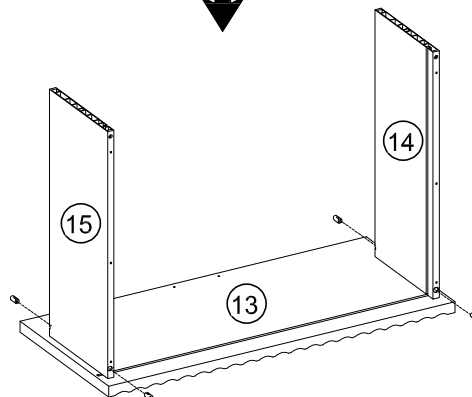
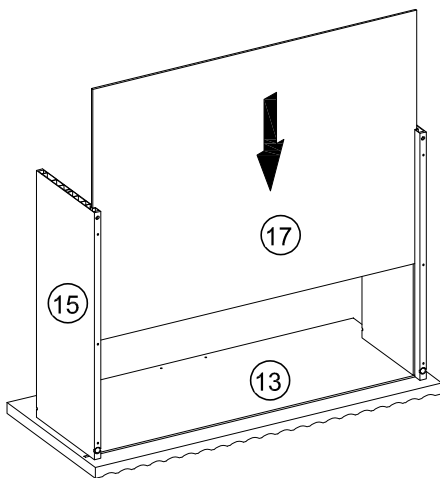
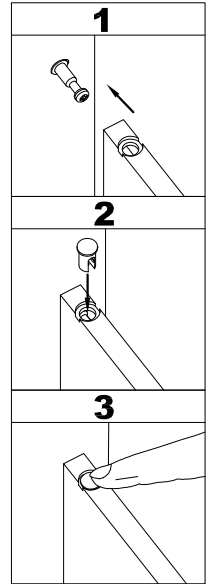
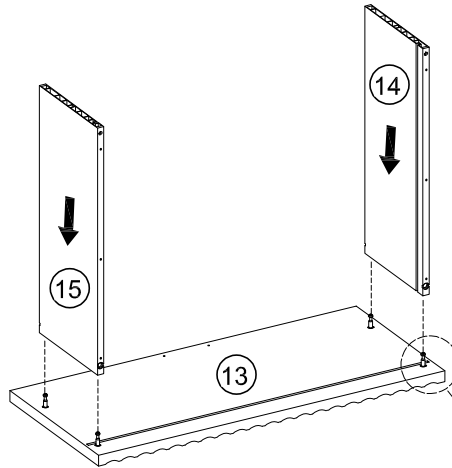
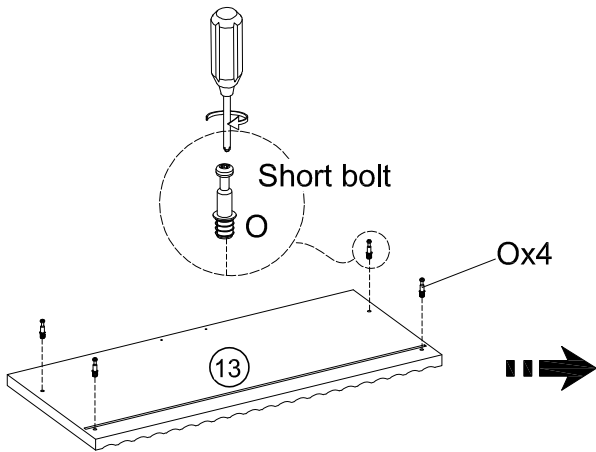
Ox36



Px36



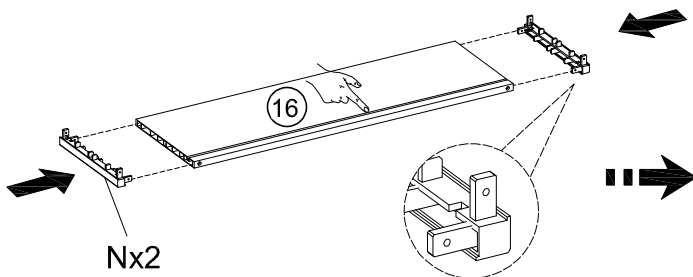
Nx18



Press the buckle firmly

X9

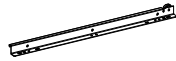
The long groove is used to install the bottom plate, make sure to take note of installing the grooves of these boards on the same side.



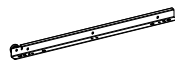
# 3



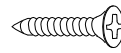
Qx72



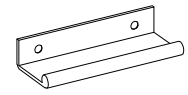
DLx9



DRx9



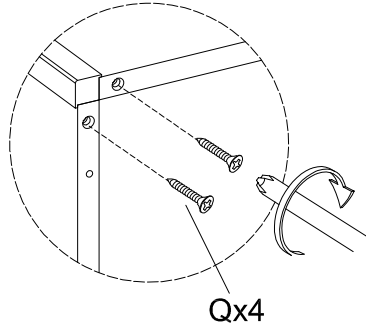
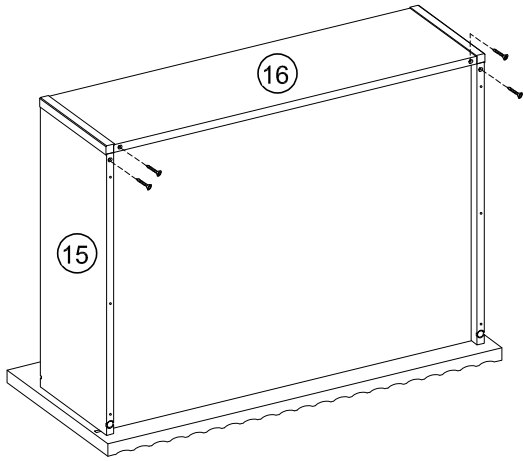
Fx54



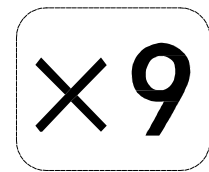
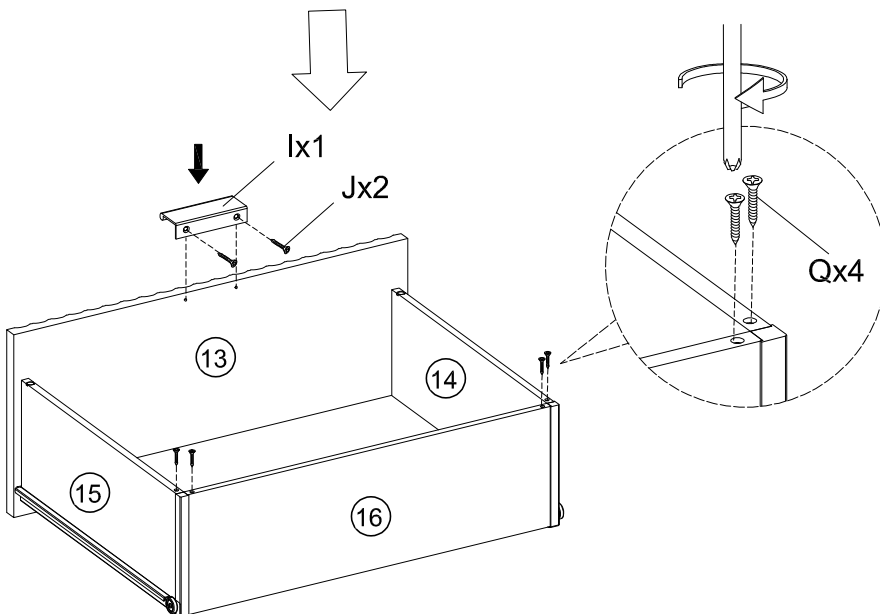
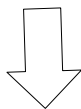
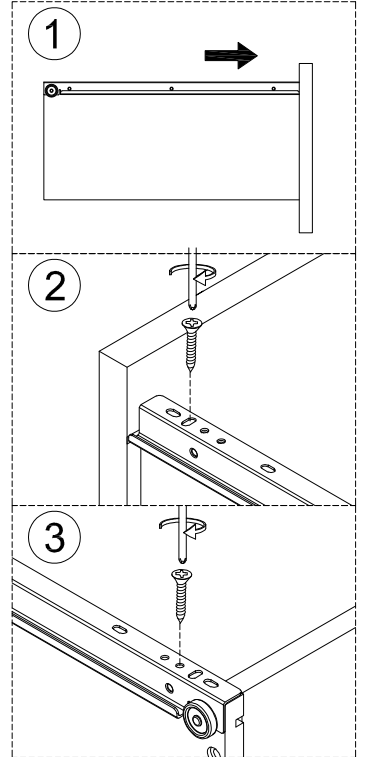
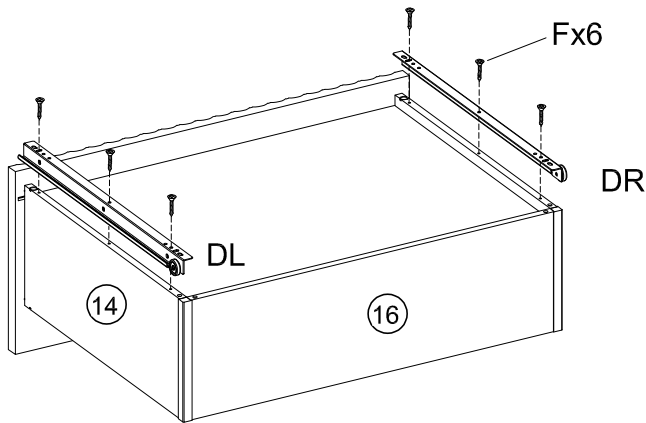
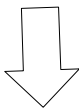
Ix9



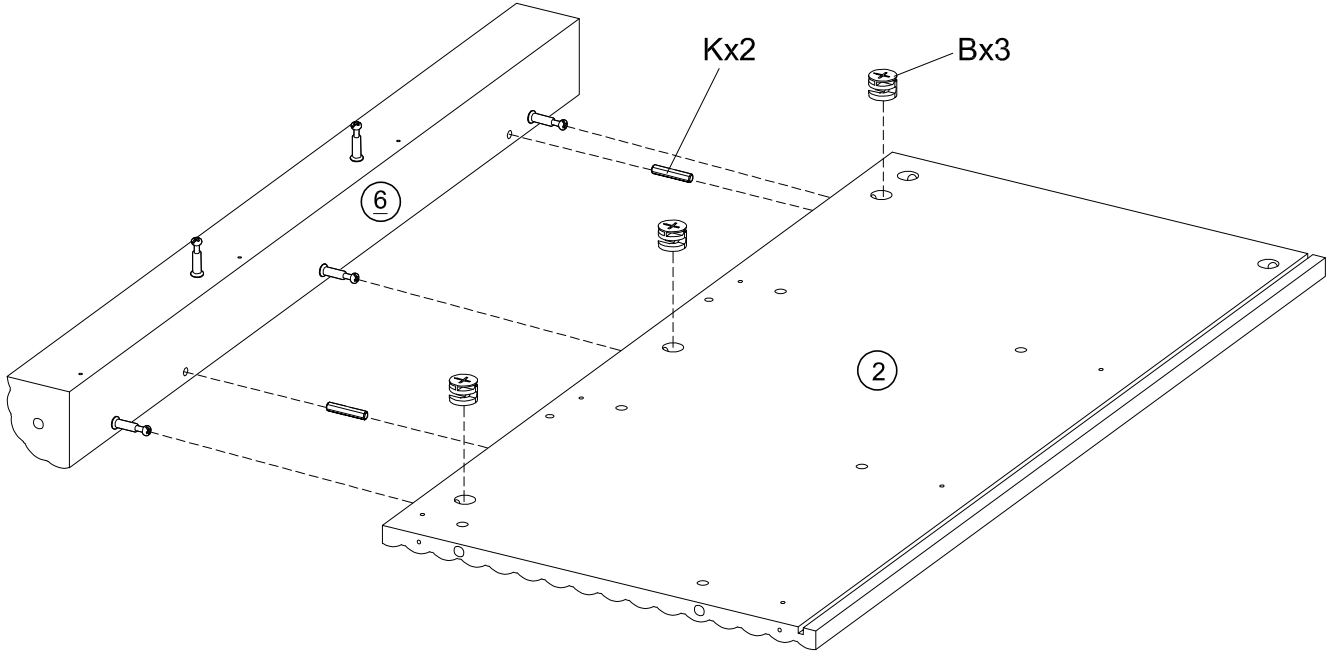
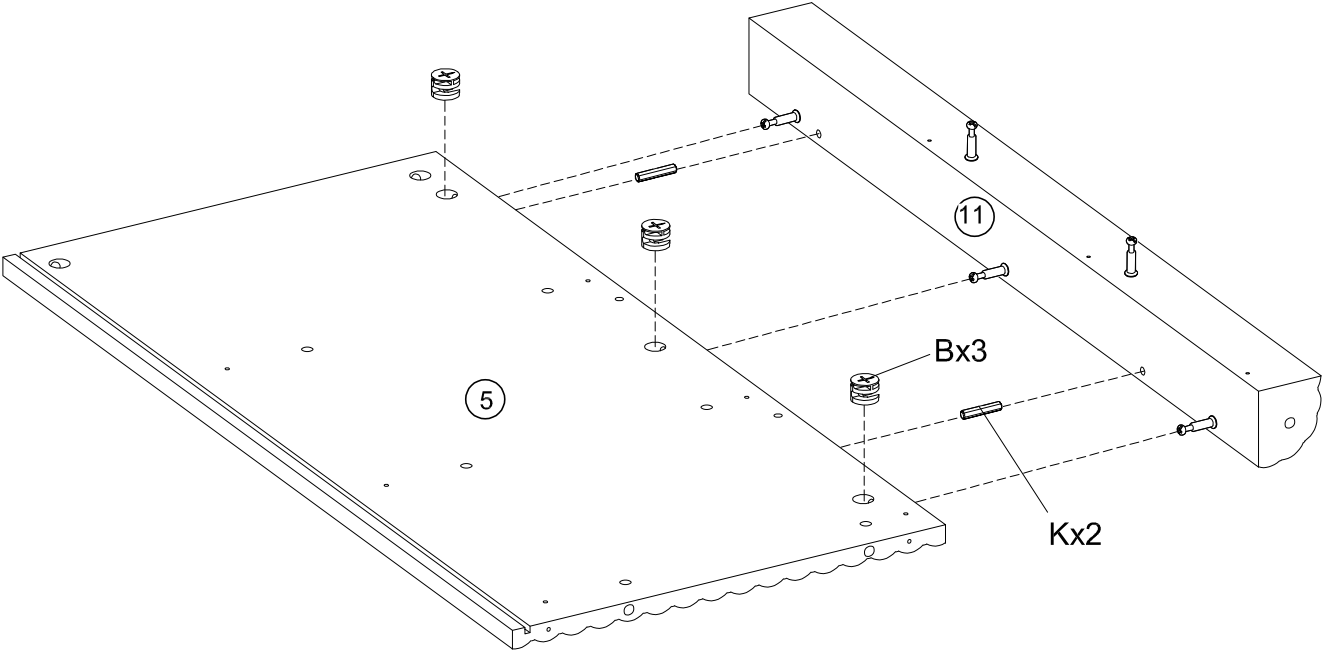
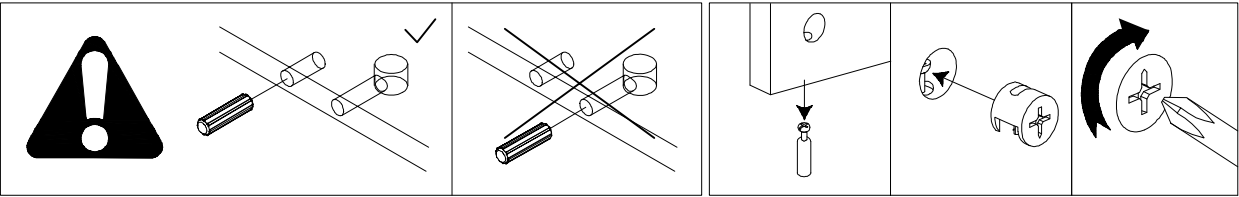
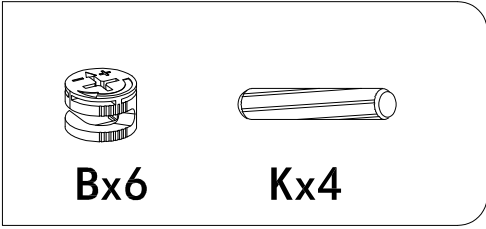
Jx18



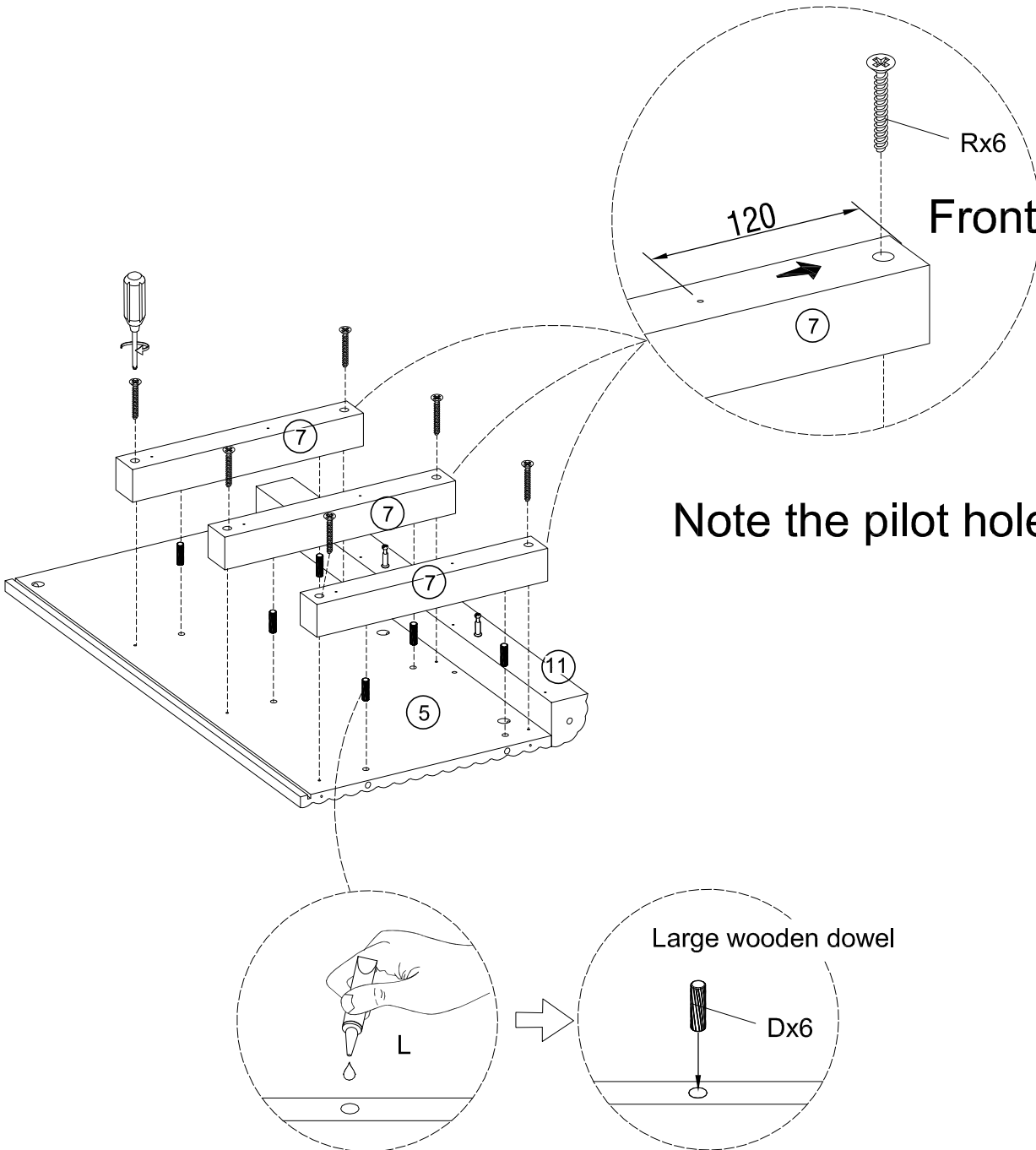
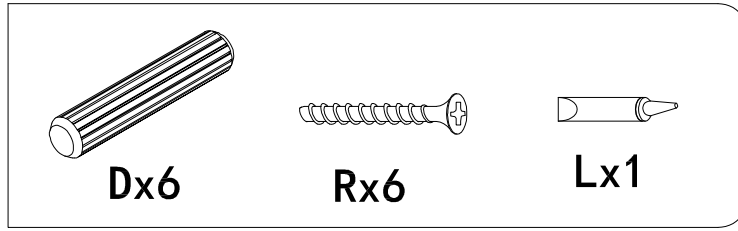
Note the DL or DR stamped label on the track!



# 4

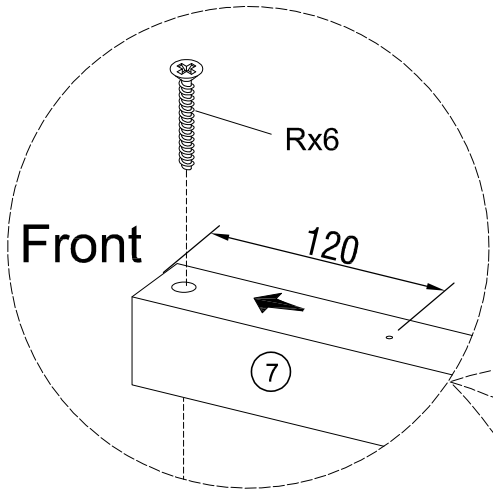
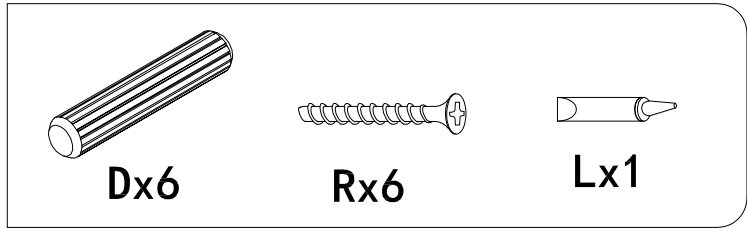


# 5

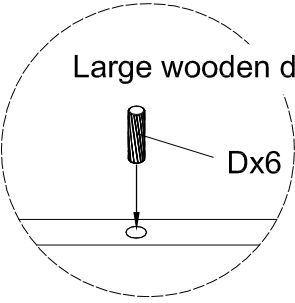
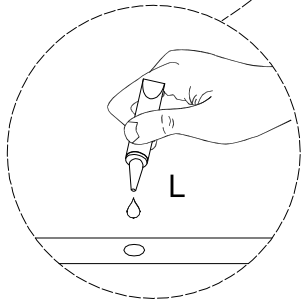
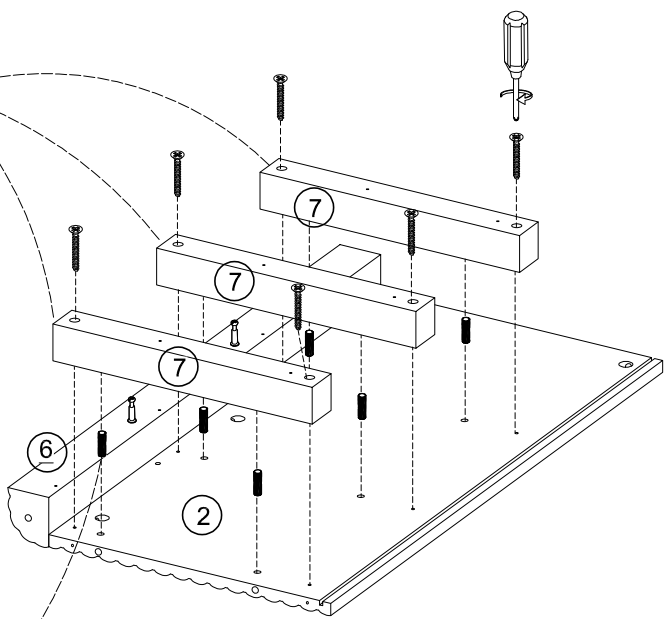


Locate the appropriate hole for the dowel, place a small amount of glue in the hole and insert the dowel. Wipe away excess glue immediately.

# 6

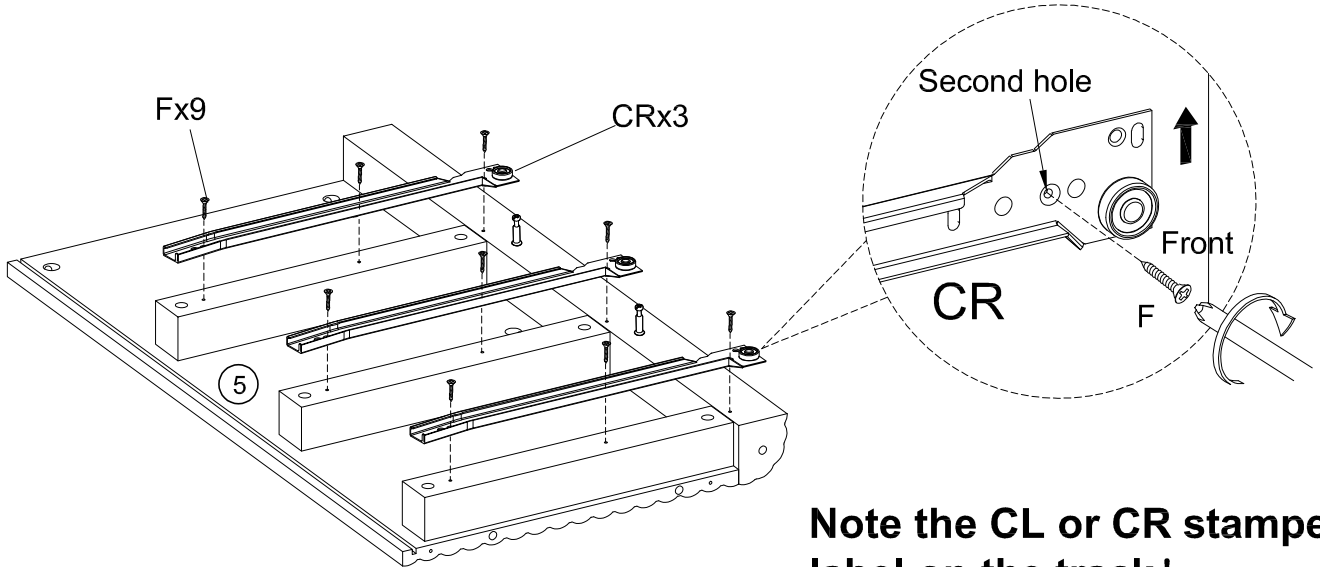
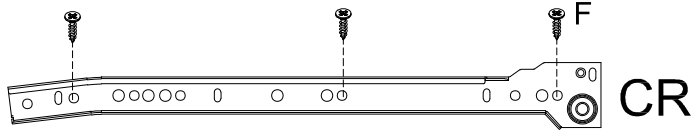
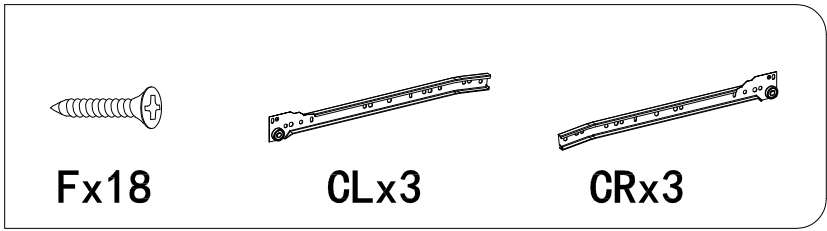


Note the pilot hole direction.

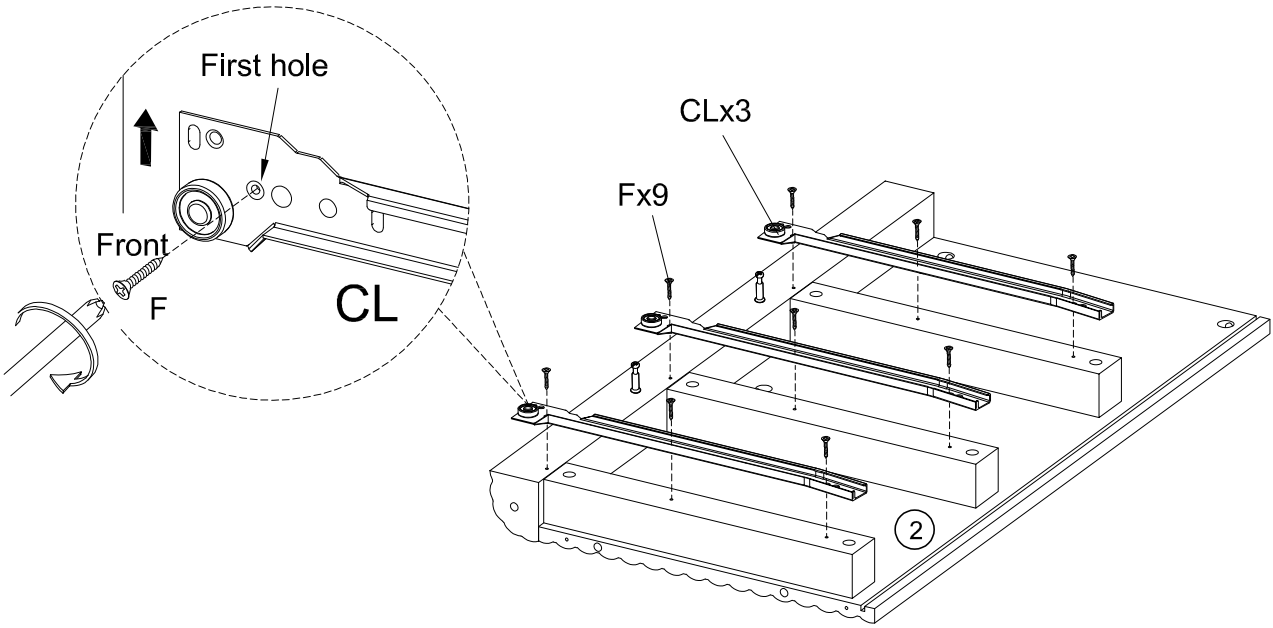
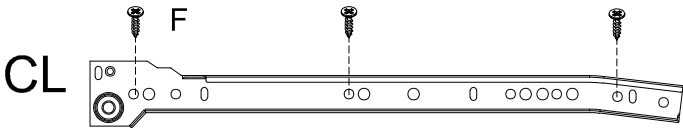


Locate the appropriate hole for the dowel, place a small amount of glue in the hole and insert the dowel. Wipe away excess glue immediately.

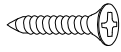
# 7



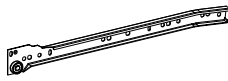
**Note the CL or CR stamped label on the track!**



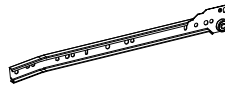
# 8



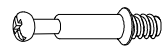
Fx18



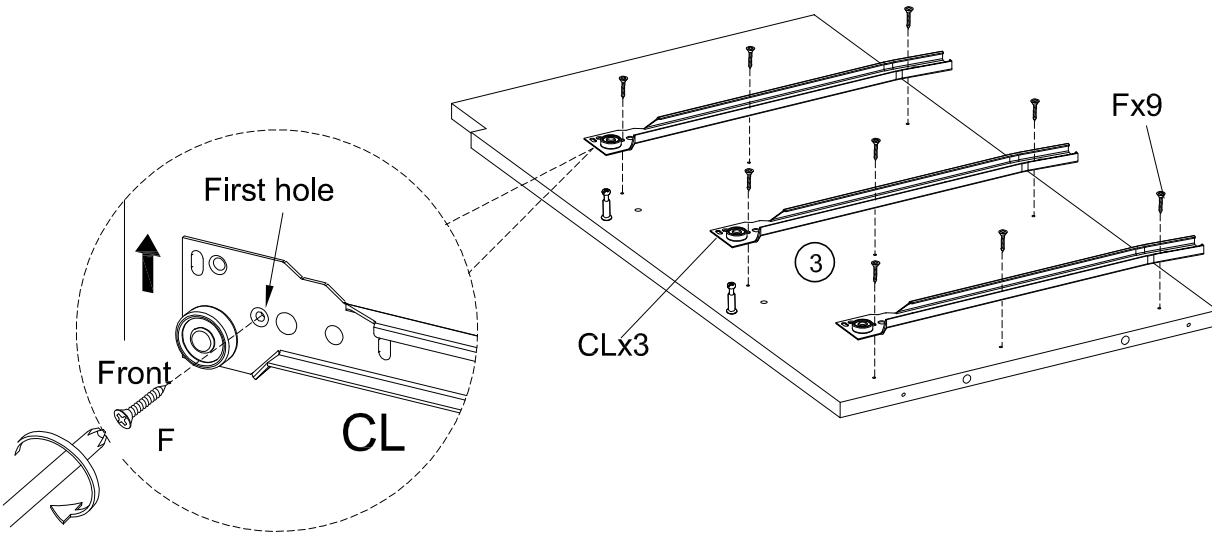
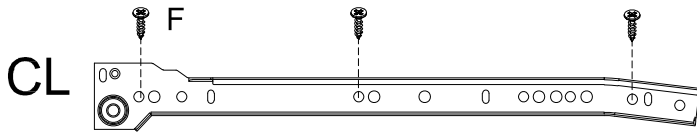
CLx3



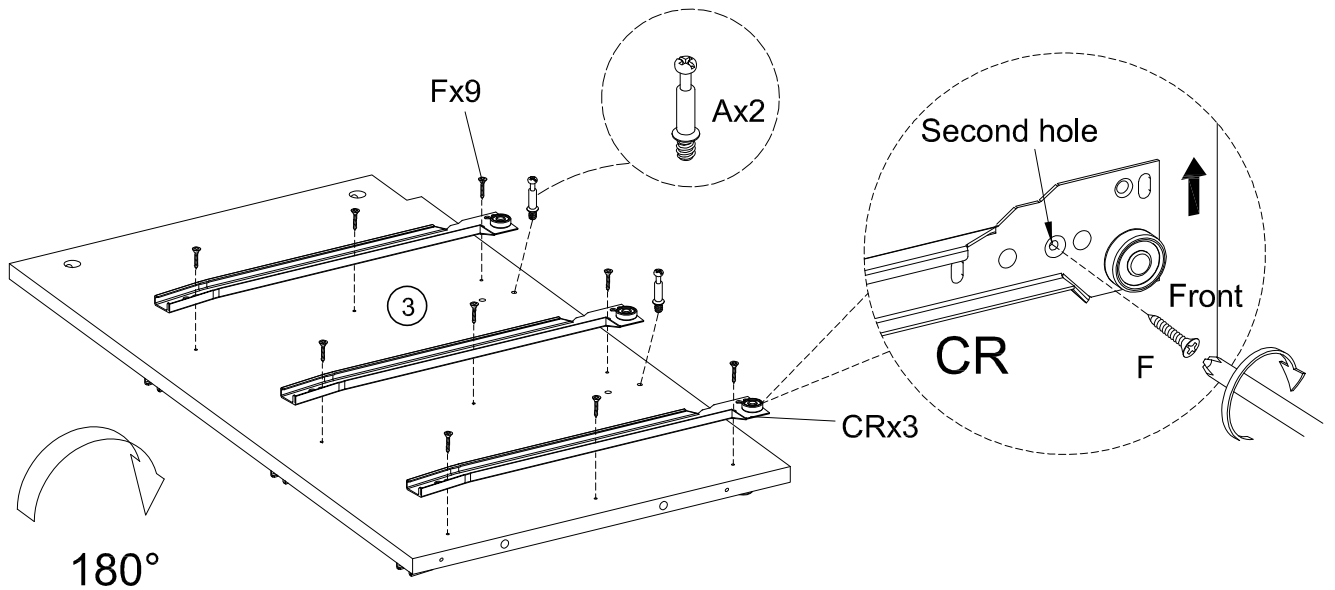
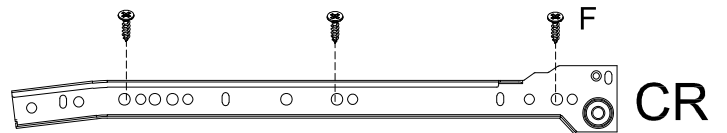
CRx3



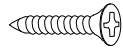
Ax2



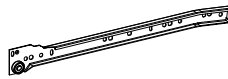
**Note the CL or CR stamped label on the track!**



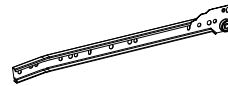
# 9



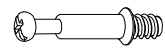
Fx18



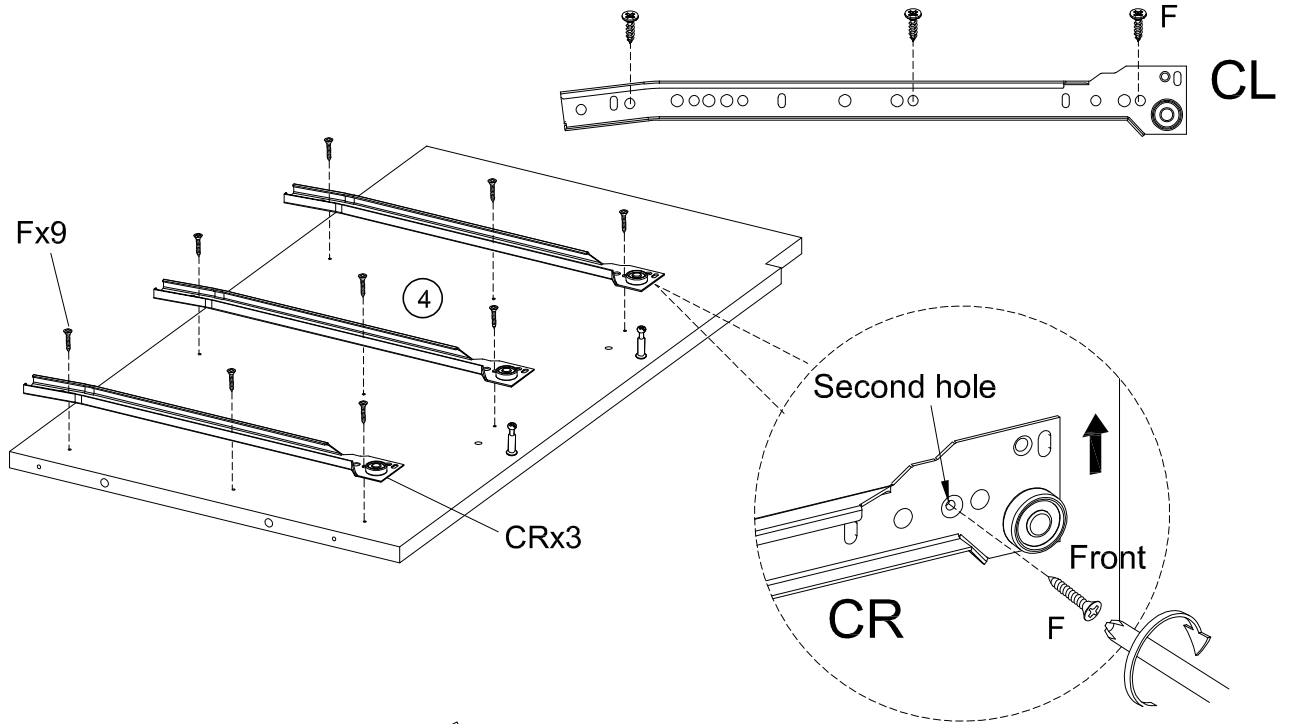
CLx3



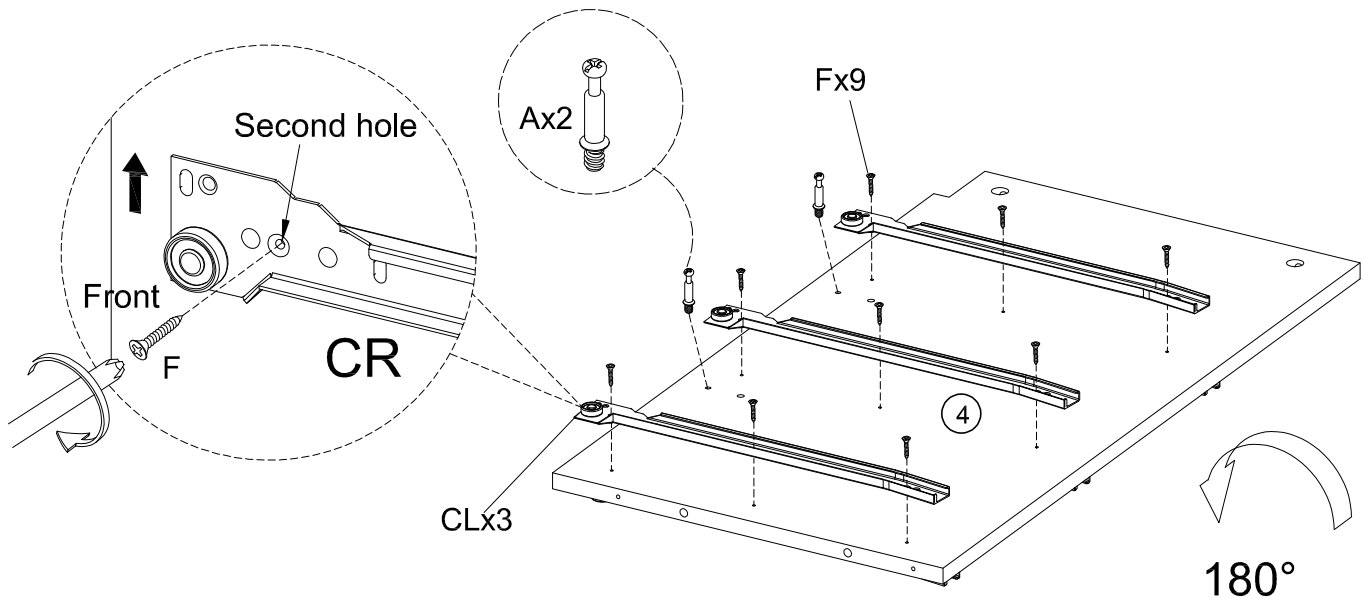
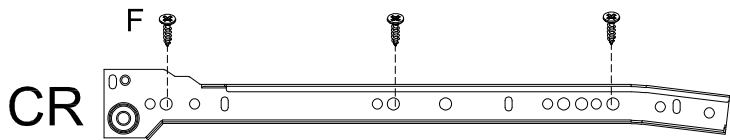
CRx3



Ax2



**Note the CL or CR stamped label on the track !**



# 10



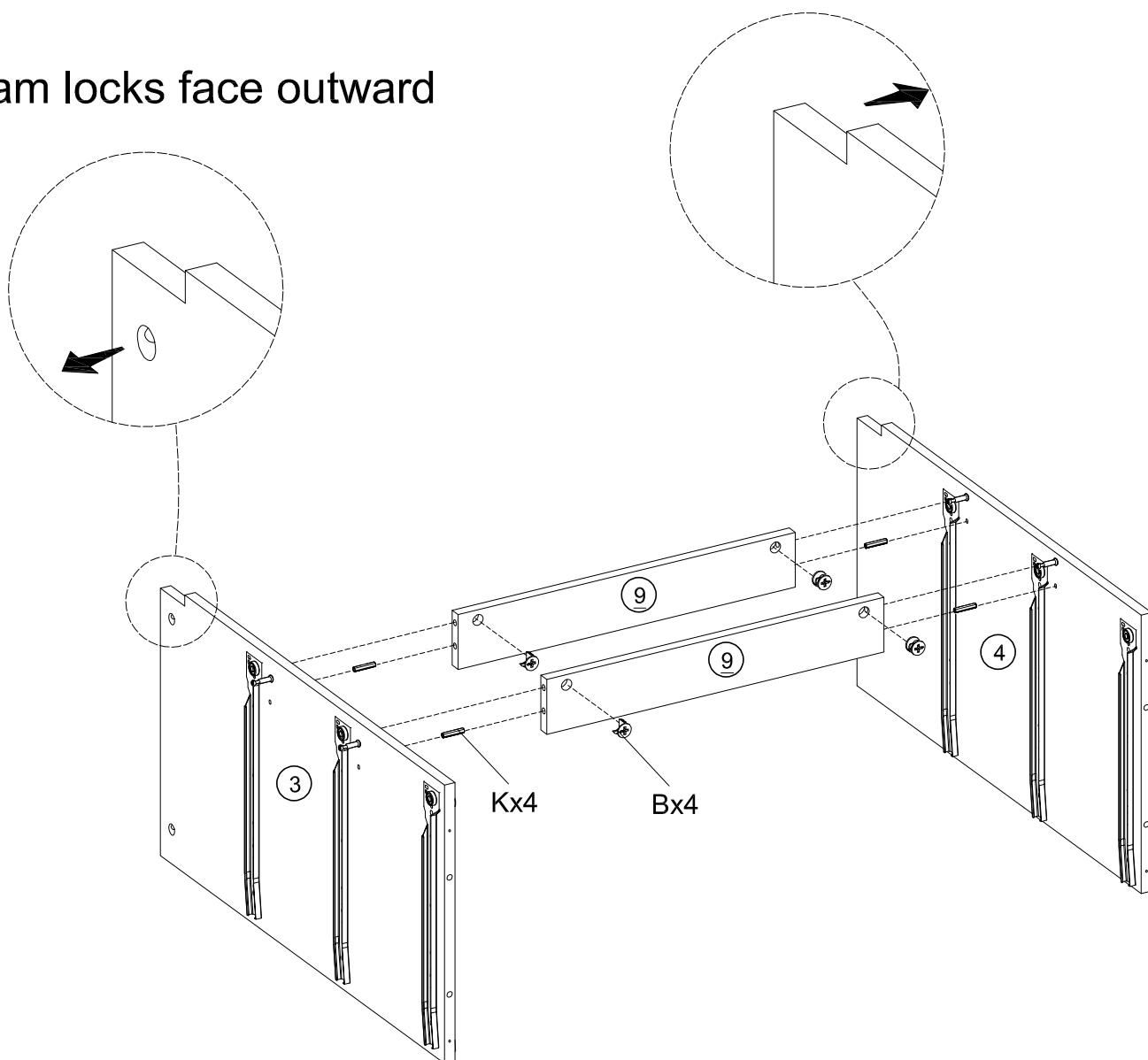
Bx4



Kx4

The cam locks face outward

The cam locks face outward



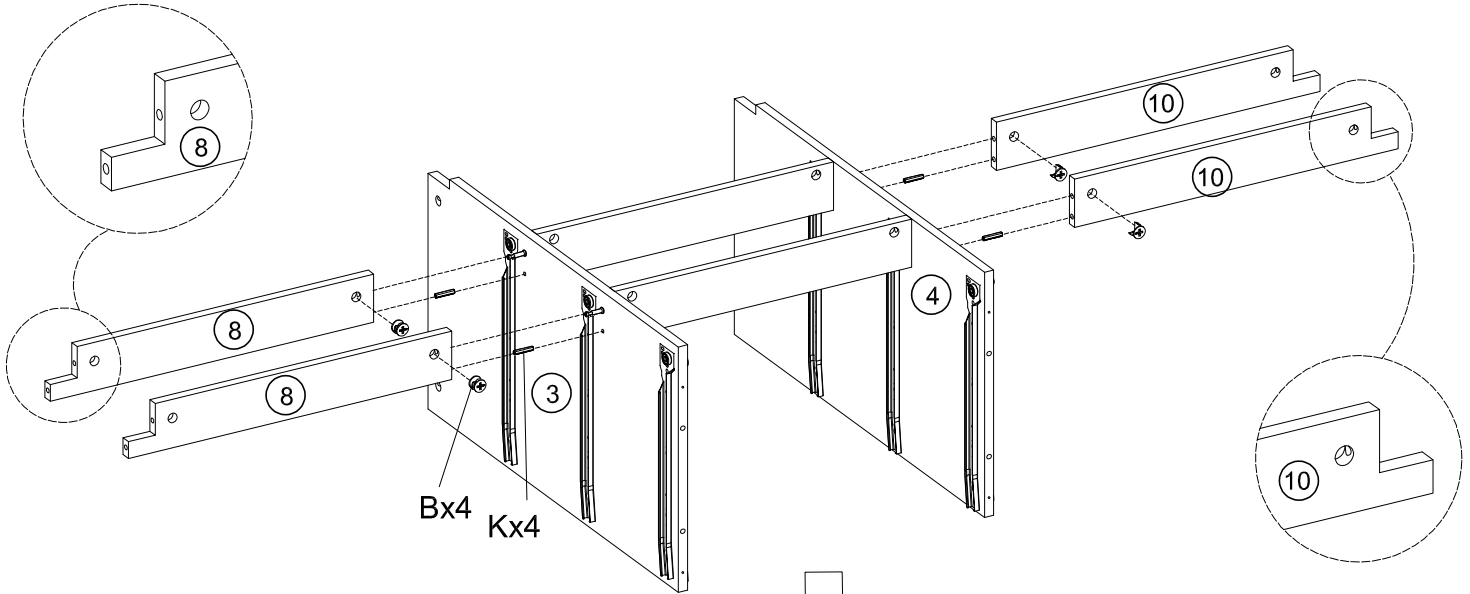
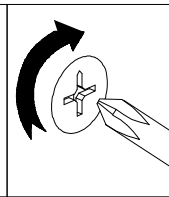
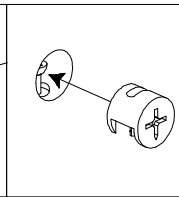
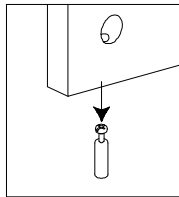
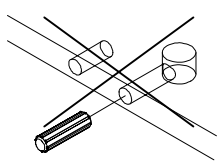
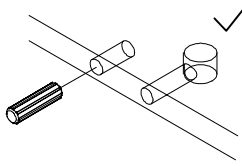
# 11



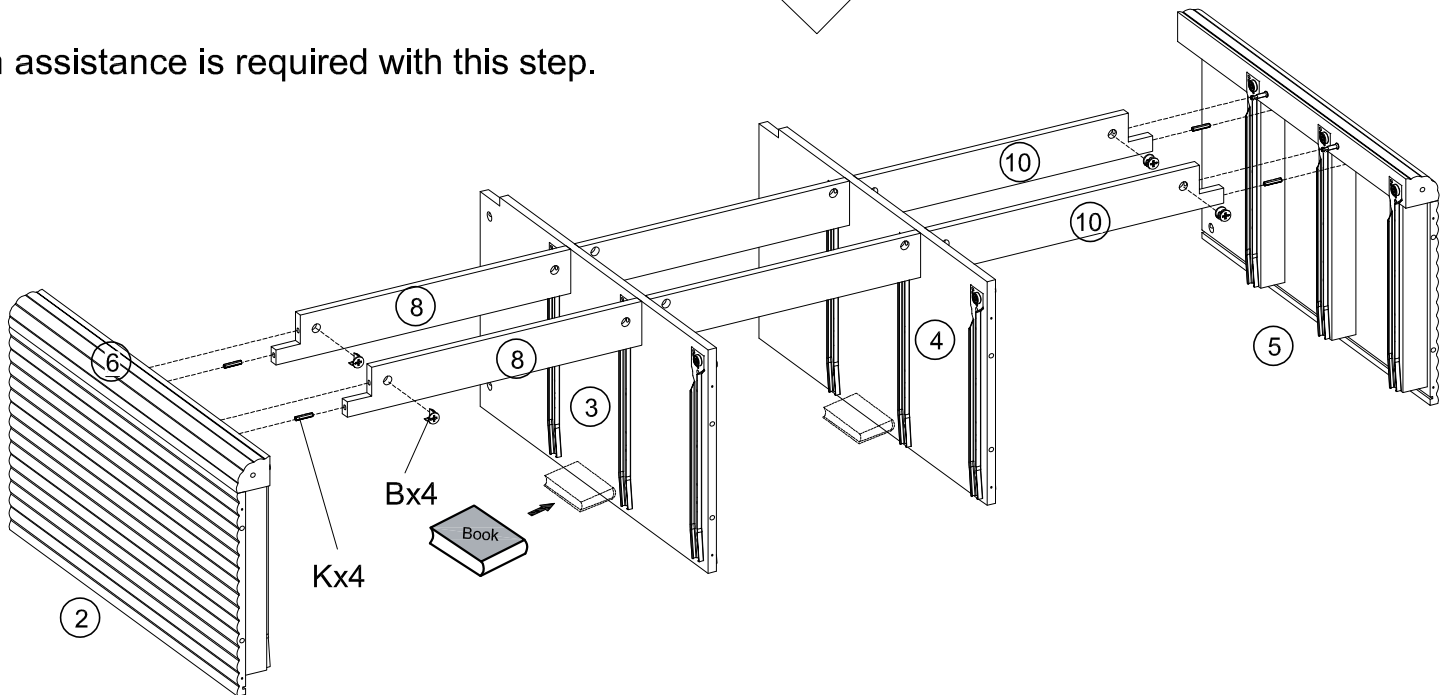
Bx8



Kx8



An assistance is required with this step.



Insert the book with thickness of 15mm underneath the partition panel to ensure the unit are at the same level.

# 12

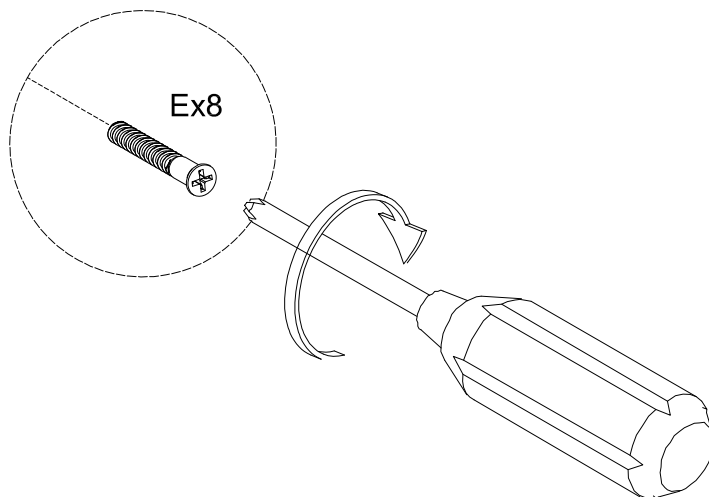
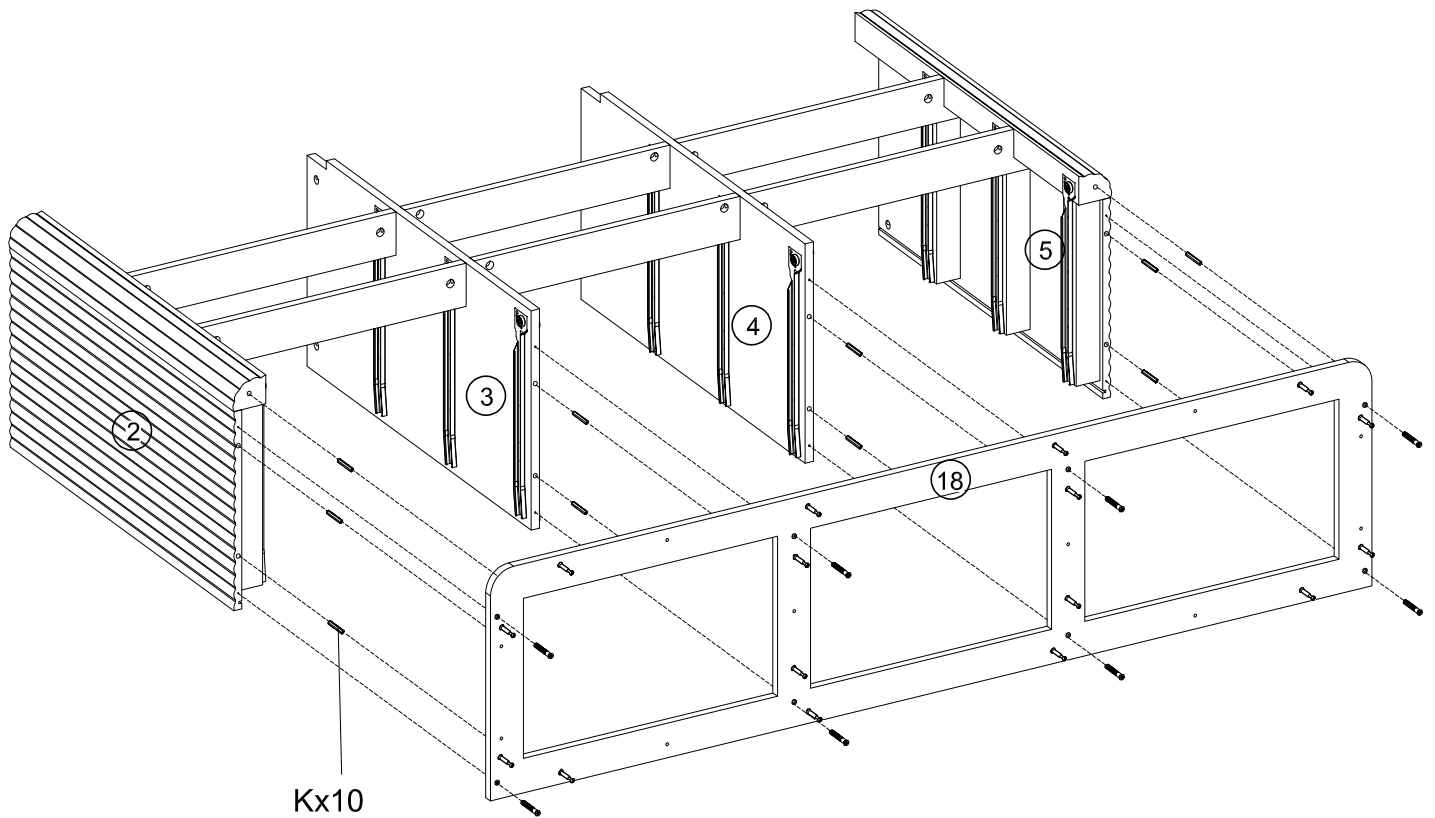


Ex8



Kx10

An assistance is required with this step.



# 13



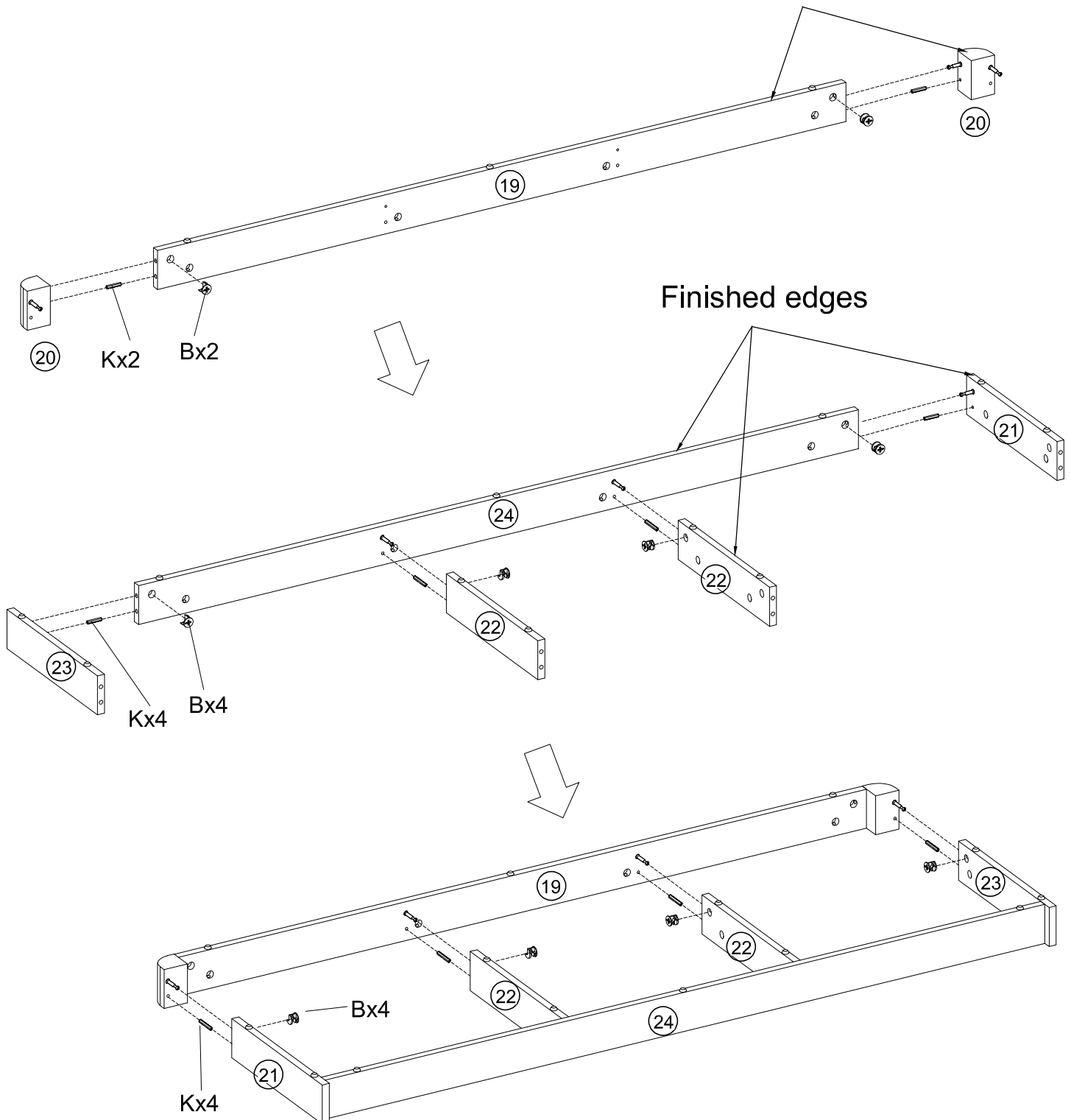
Bx10



Kx10

Pay attention to the orientation of the foot.

Finished edges



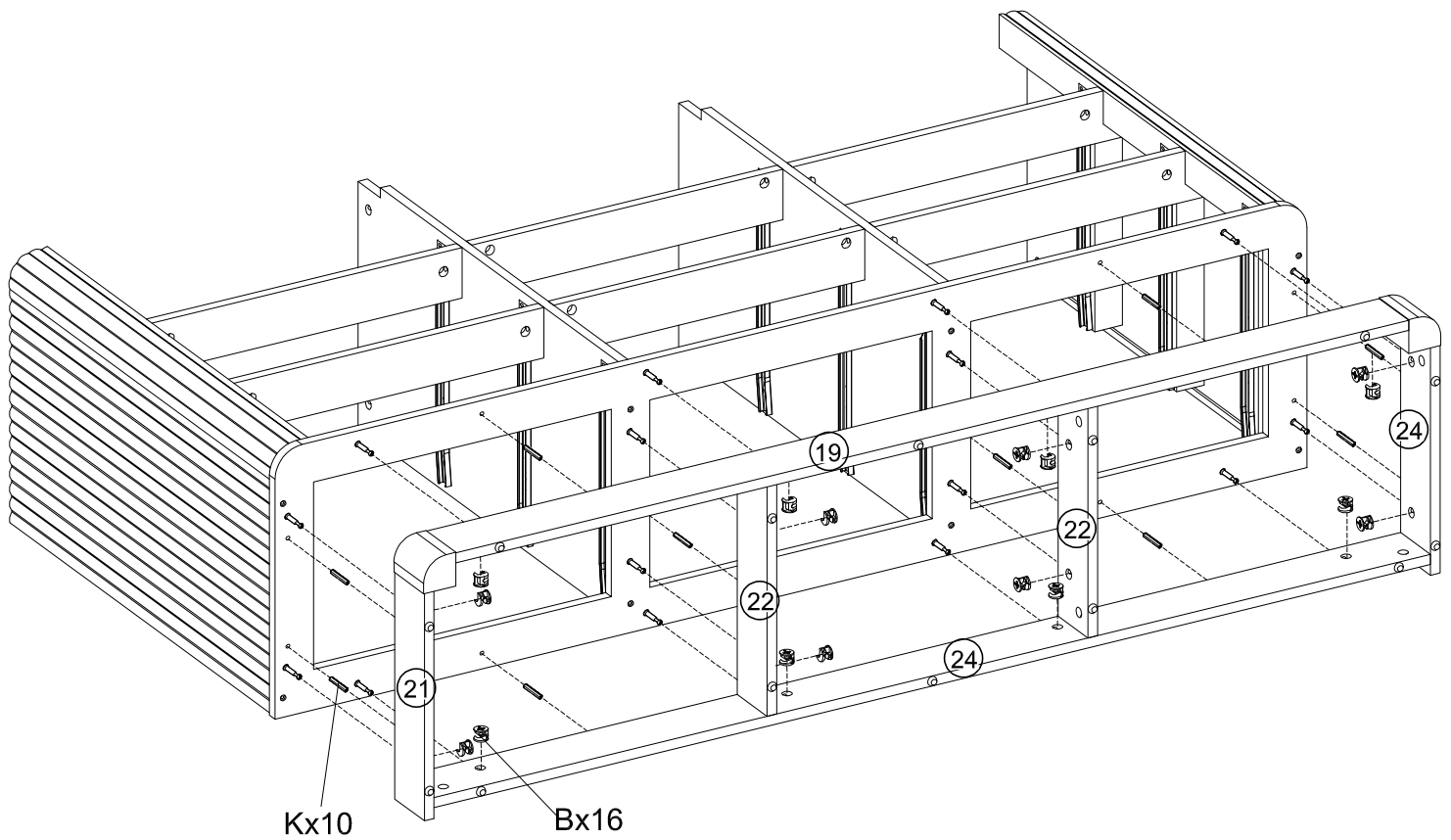
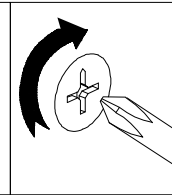
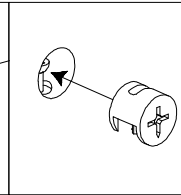
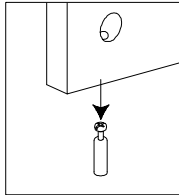
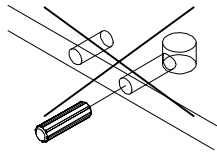
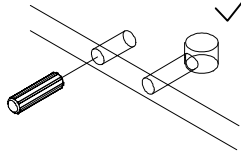
# 14



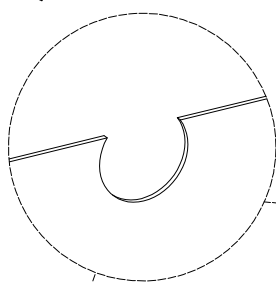
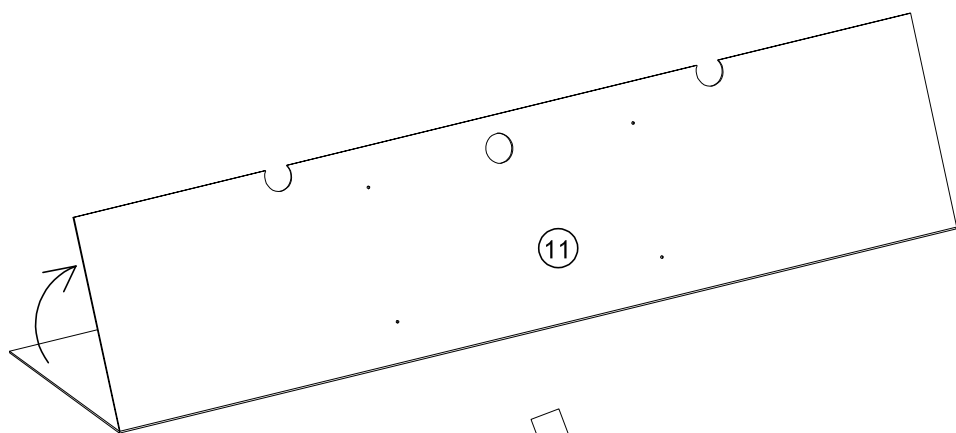
Bx16



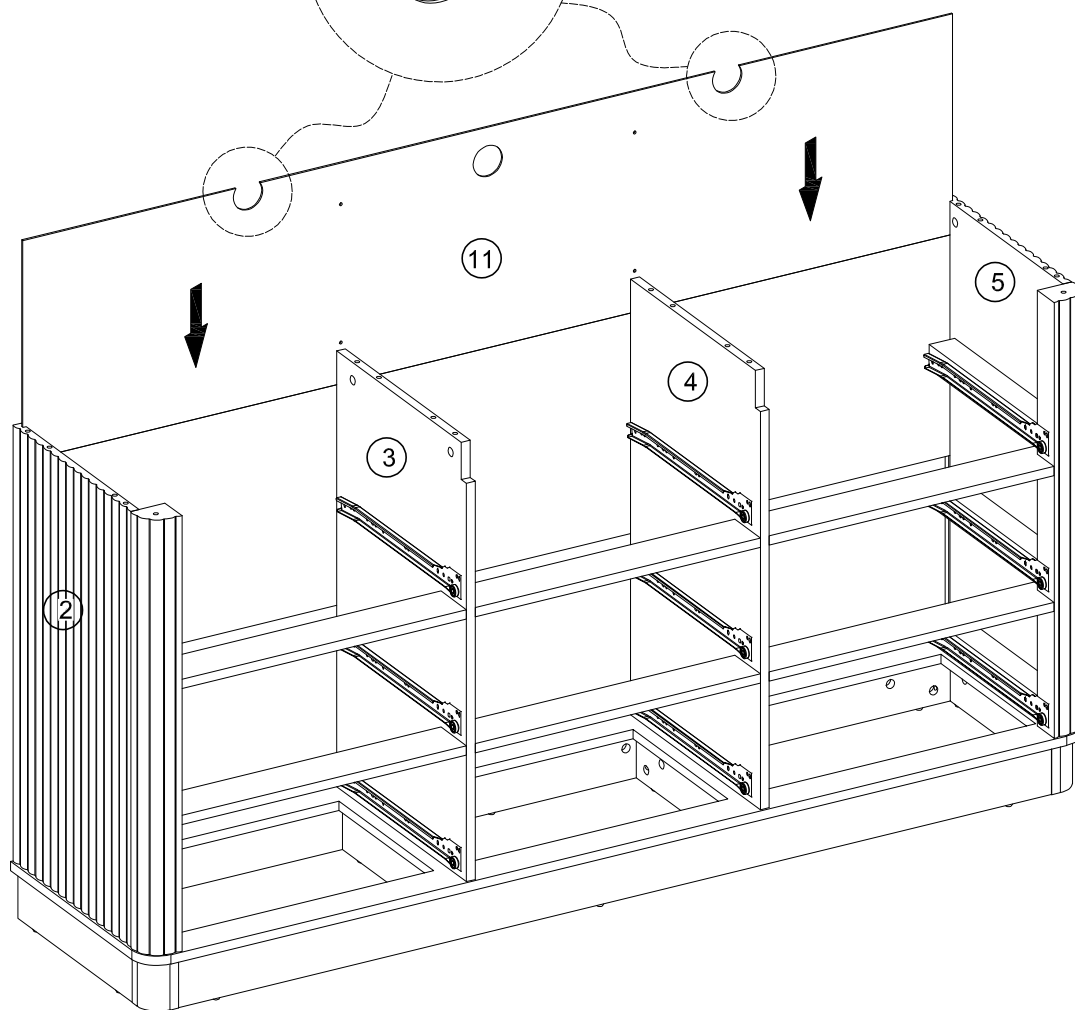
Kx10



# 15

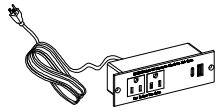


Note the holes direction.





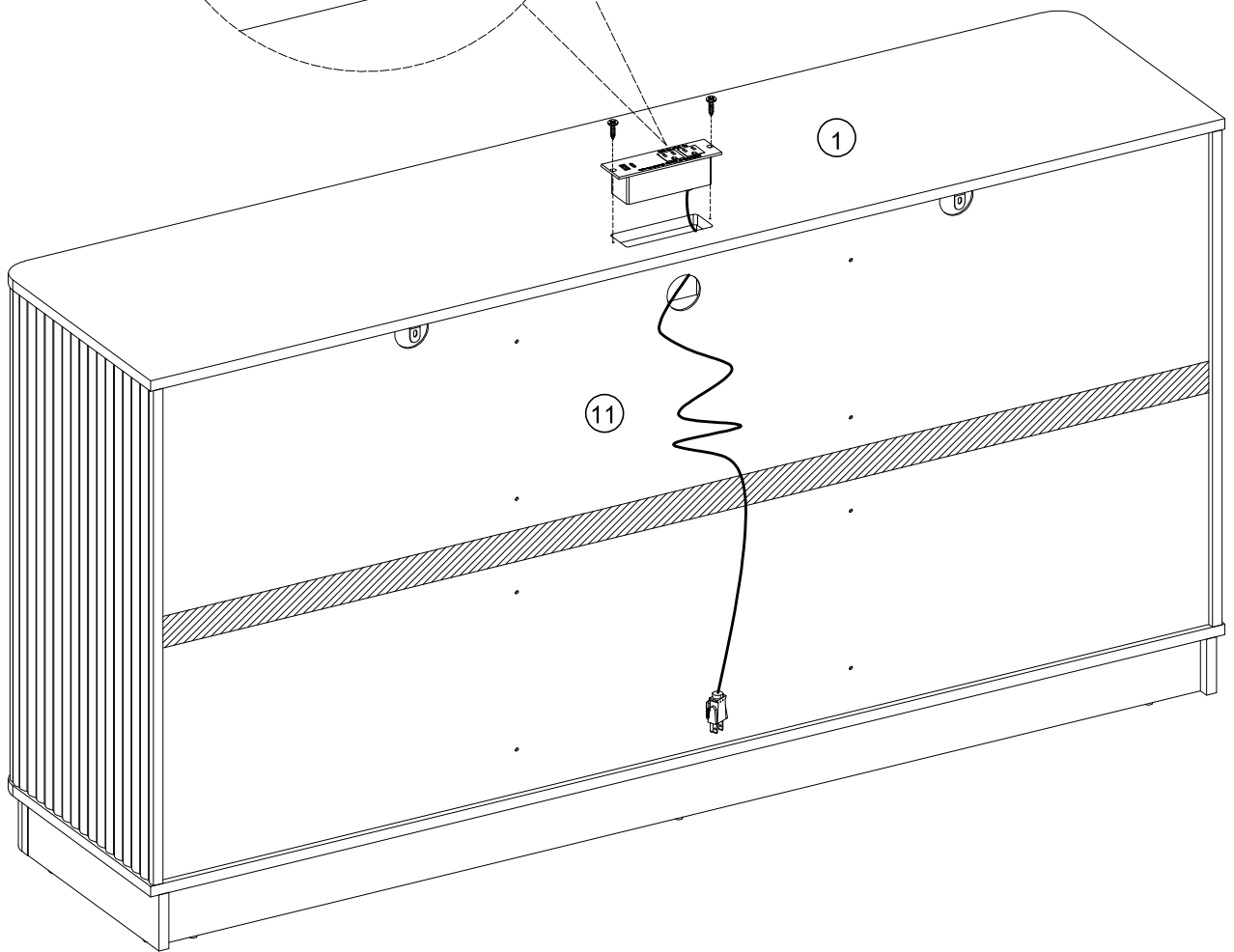
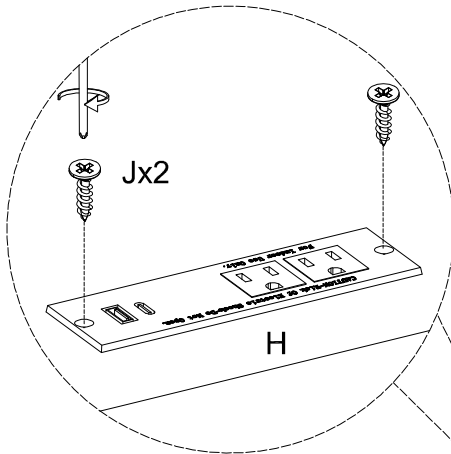
# 17



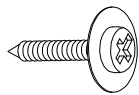
Hx1



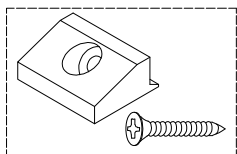
Jx2



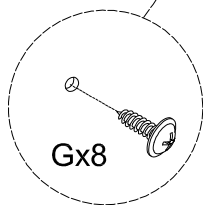
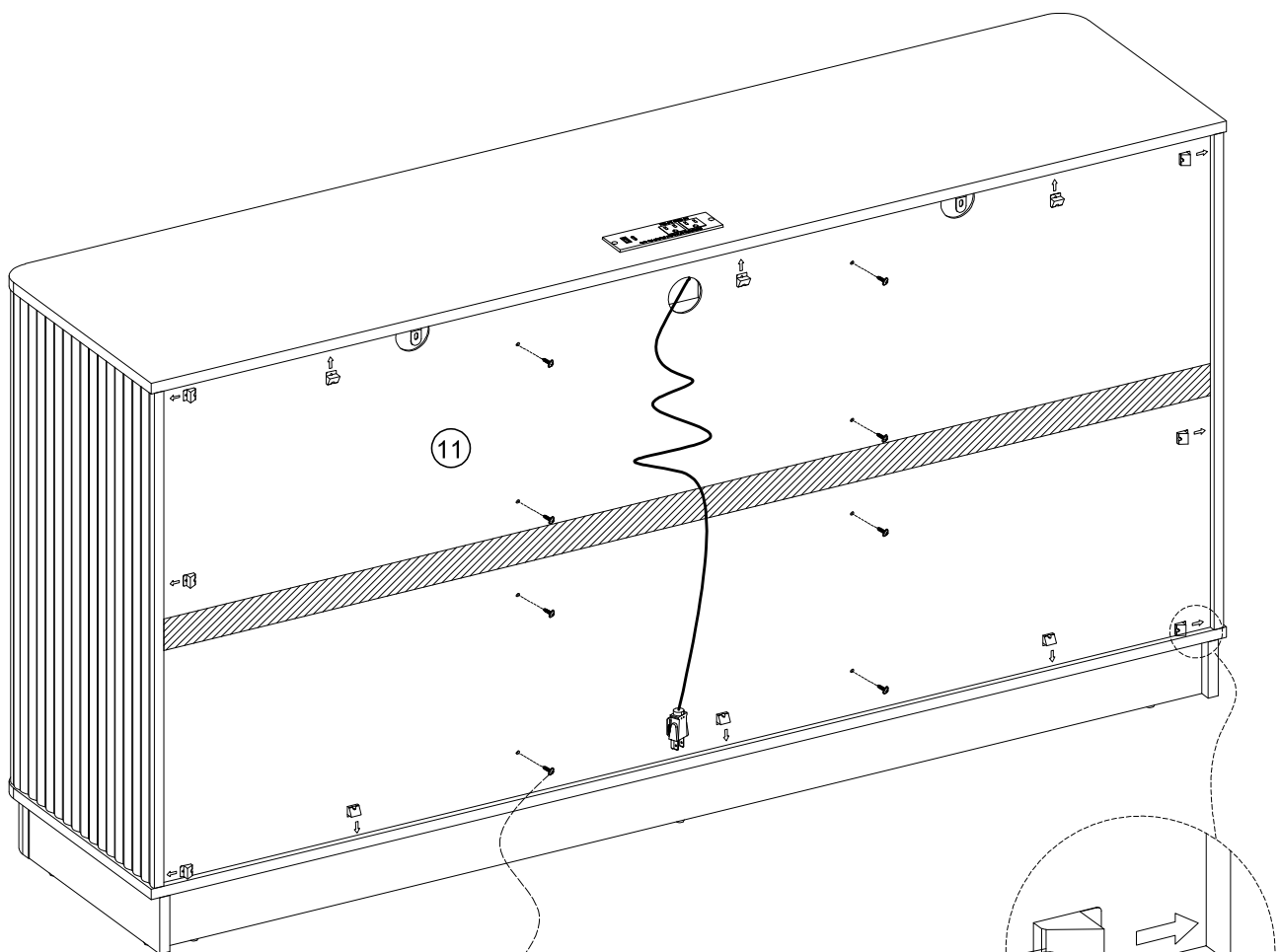
# 18



Gx8

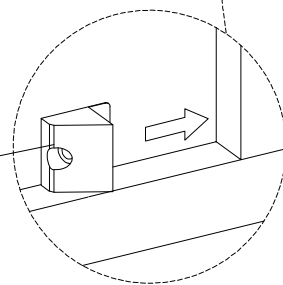


Mx12



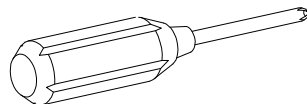
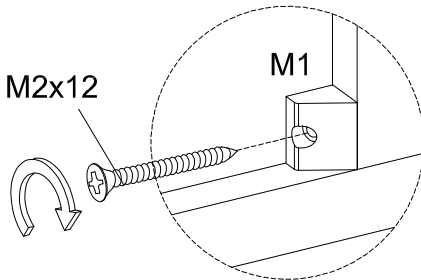
Gx8

M1x12

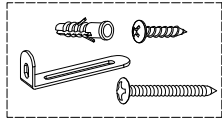


M2x12

M1



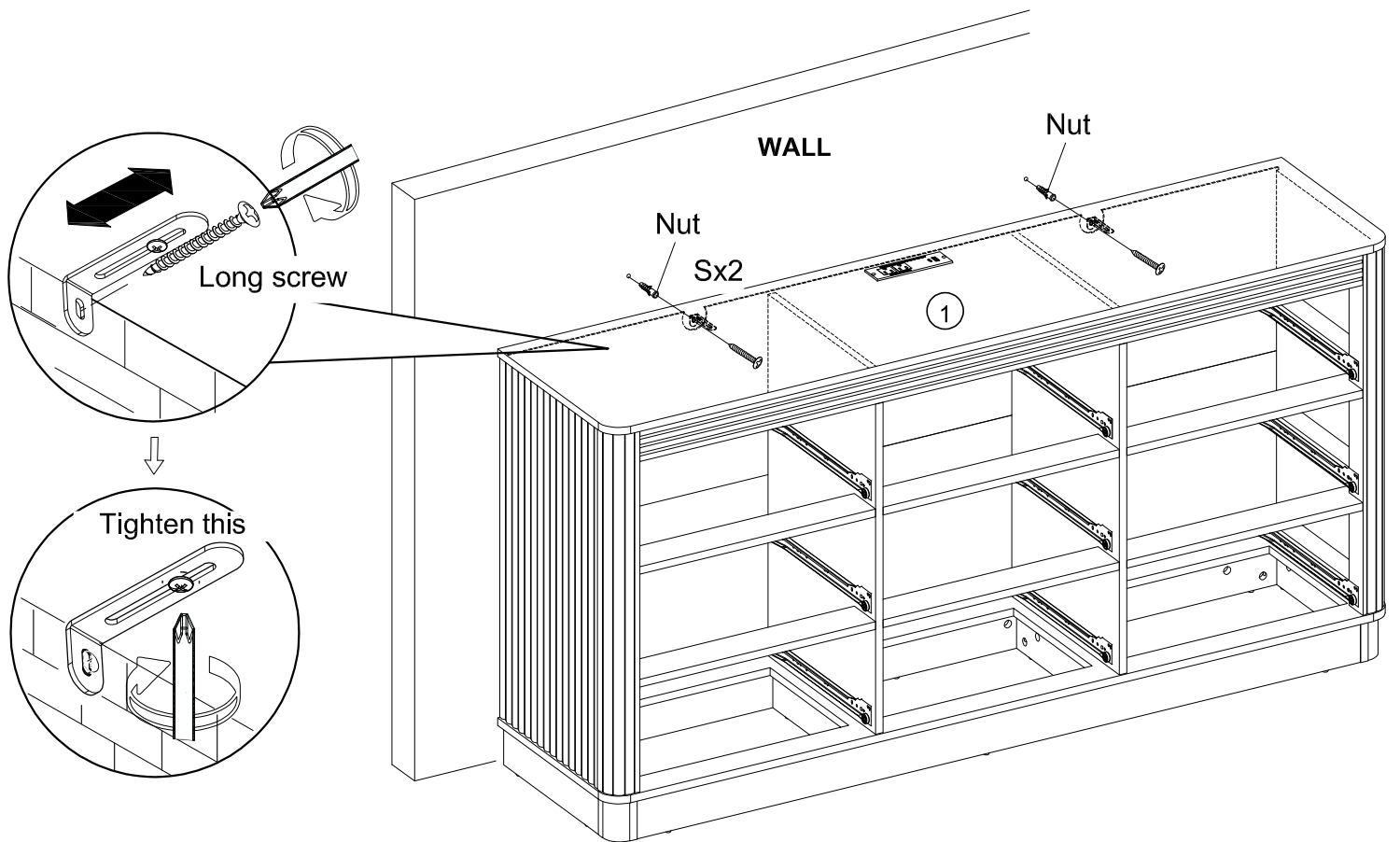
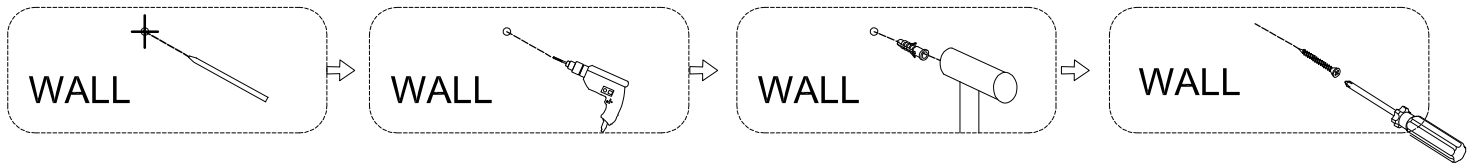
# 19



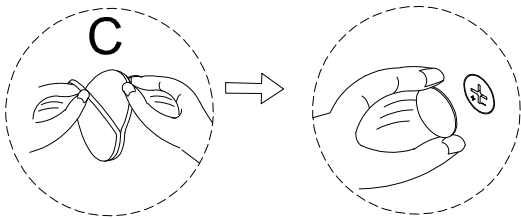
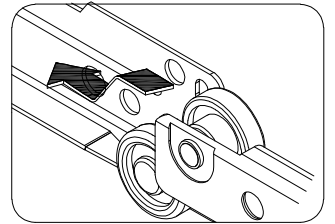
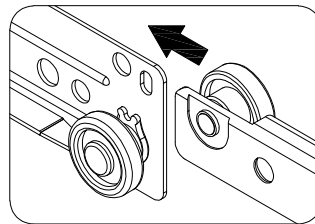
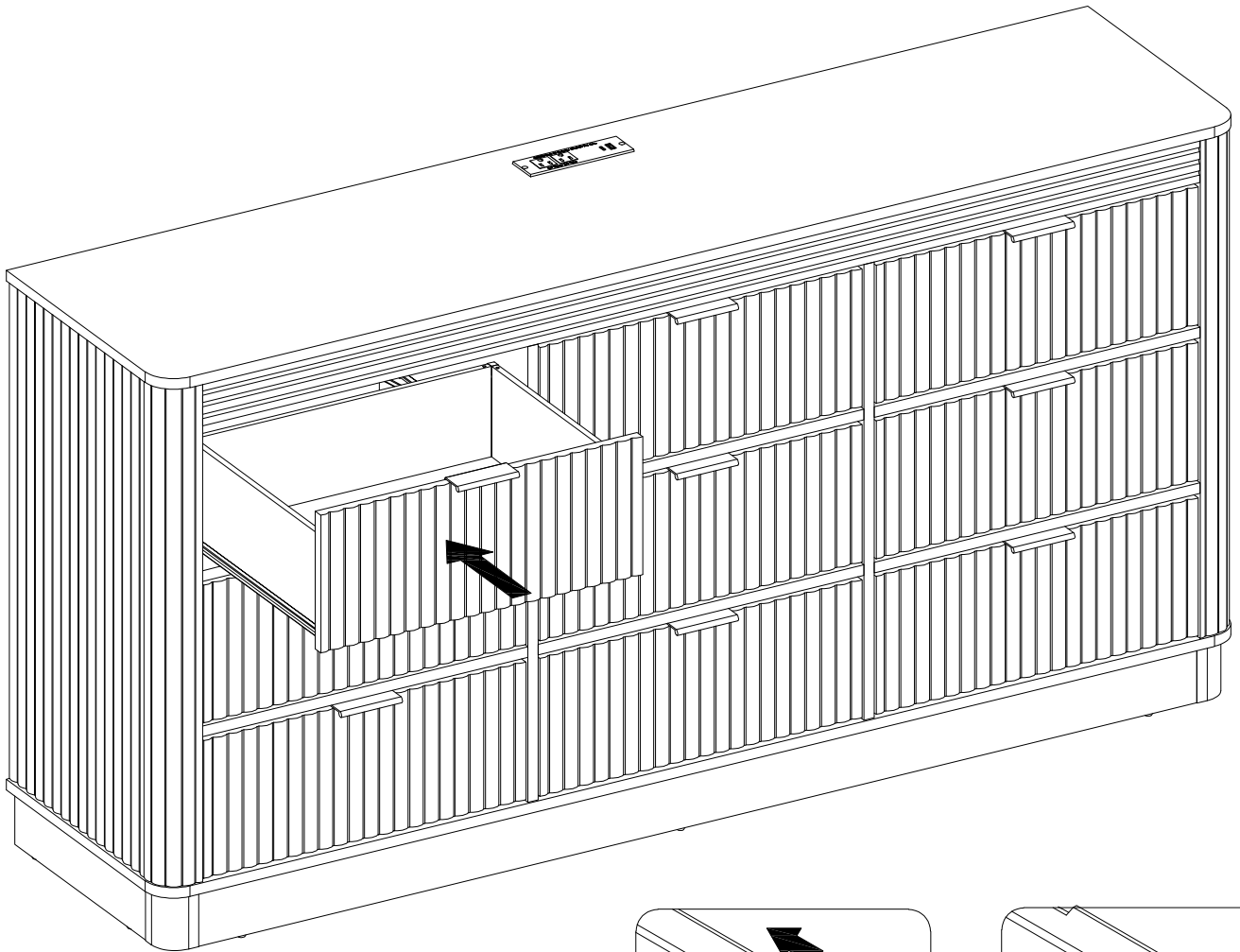
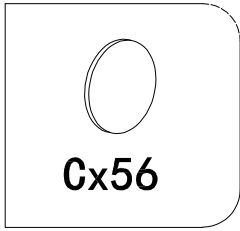
Sx2

## WARNING

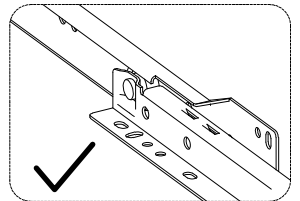
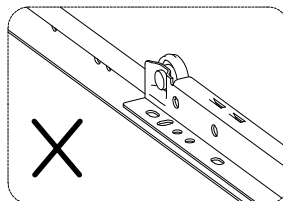
Serious or fatal injuries can occur from furniture tipping over. To prevent the furniture from tipping over, we recommend that it is permanently fixed to the wall. Wall anchor and hardware are included with this product. Please make sure hardware is suitable for your walls before installing, as different wall materials may require different types of anchors.



# 20



• Stick stickers (C) on cam locks (B).



Installation Completed