

STEP 11

ASSEMBLED UNIT

6 LEG 1 PC

STEP 13

TURN 180°

ASSEMBLED UNIT

STEP 12

ASSEMBLED UNIT

3 NAIL LEG 4 PCS

TOOL REQUIRED

STEP 14

BIN 2 PCS

7 x2

STEP 15

ASSEMBLED UNIT

ASSEMBLED UNIT 2 PCS

Recommended Maximum Weight

20

10

10

***Unit in Pound(lbs.)**

WARNING:

- >This unit has been designed to support the maximum loads shown. Exceeding these load limits could cause sagging, instability, product collapse, and/or serious injury.
- >DO NOT allow children to climb on unit.
- > Put heavier items on lower shelves.

Assembly Instruction

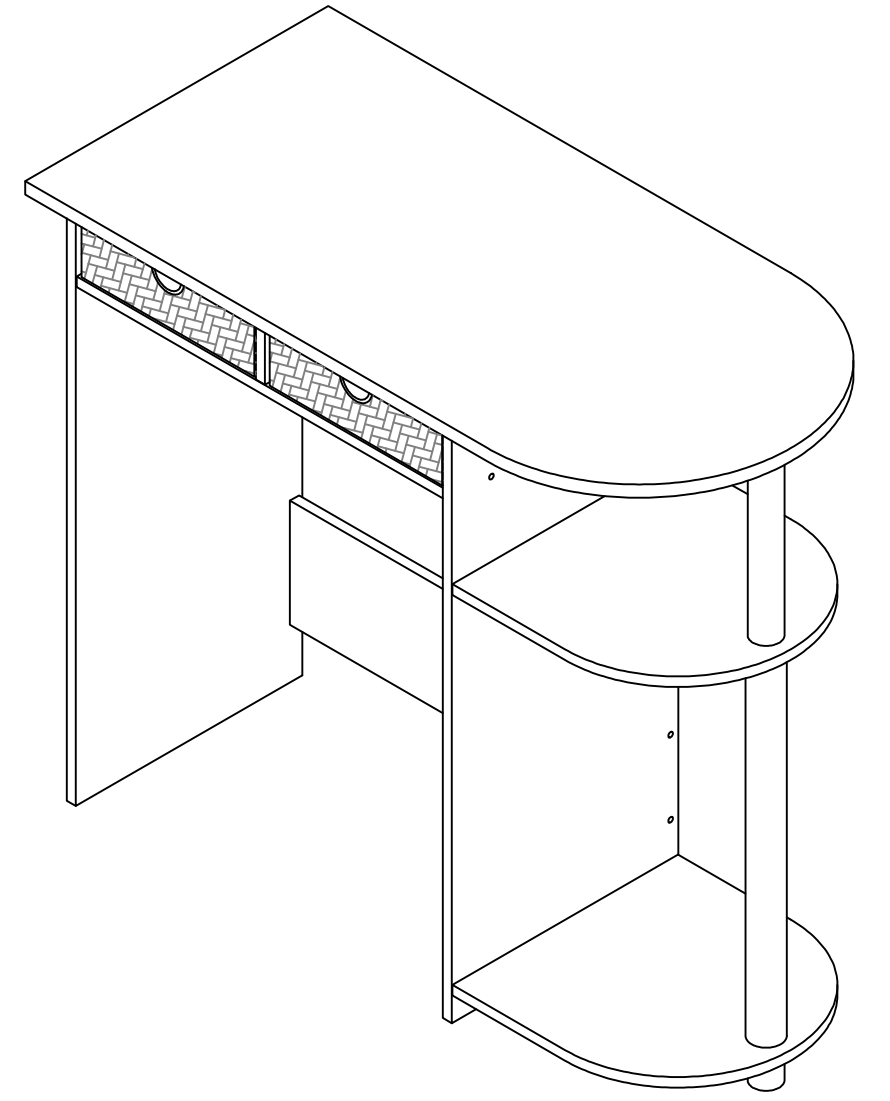
Home Laptop Notebook
Computer Desk / Table

00:30

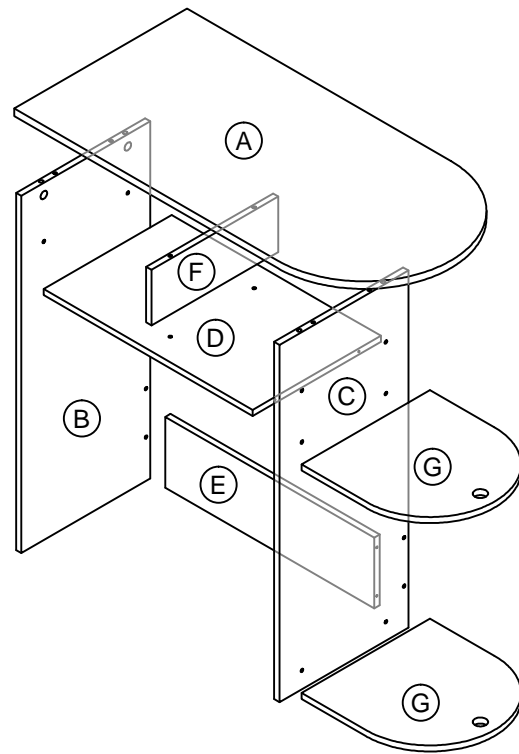
Approx. 30 minutes

Recomm. 1 Person

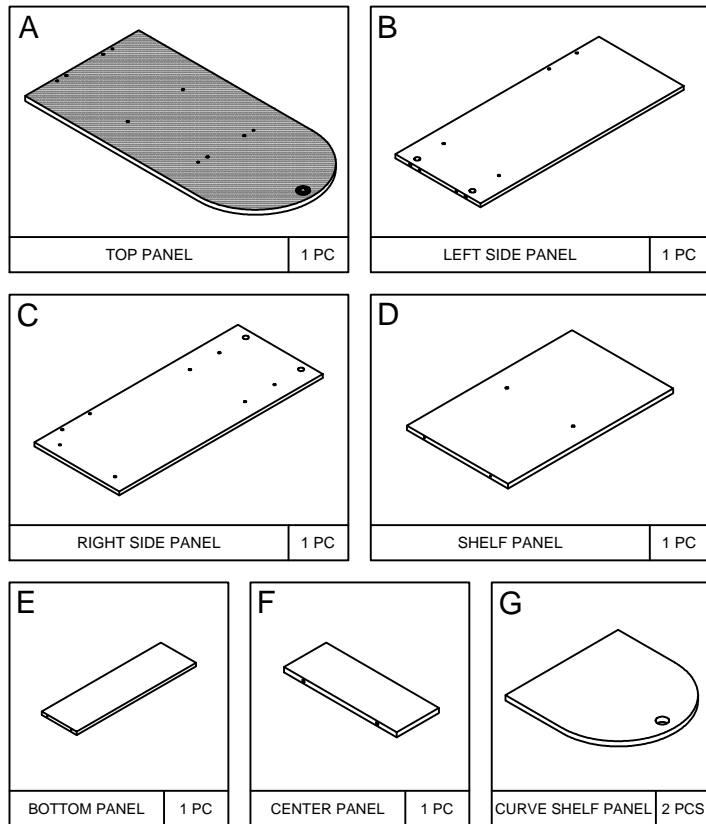
Tool Required



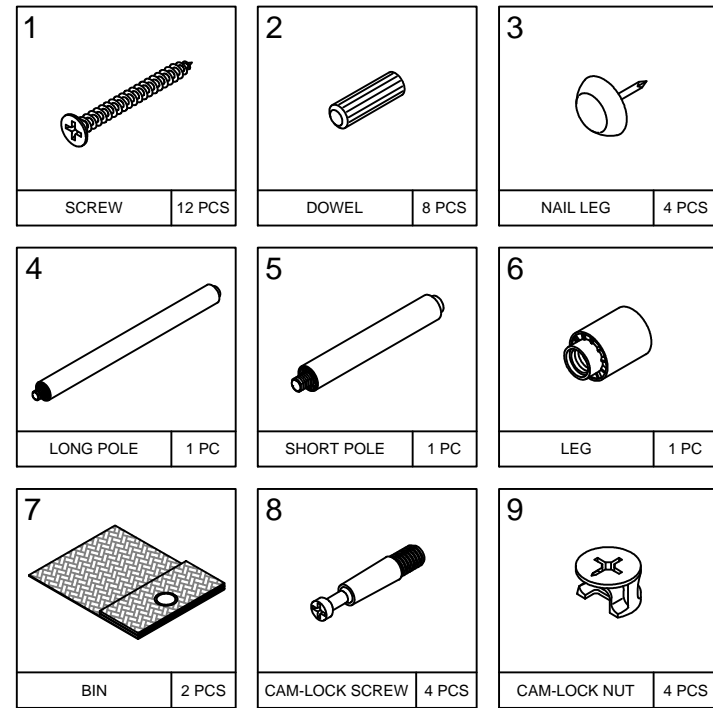
EXPLODED VIEW



PARTS LIST



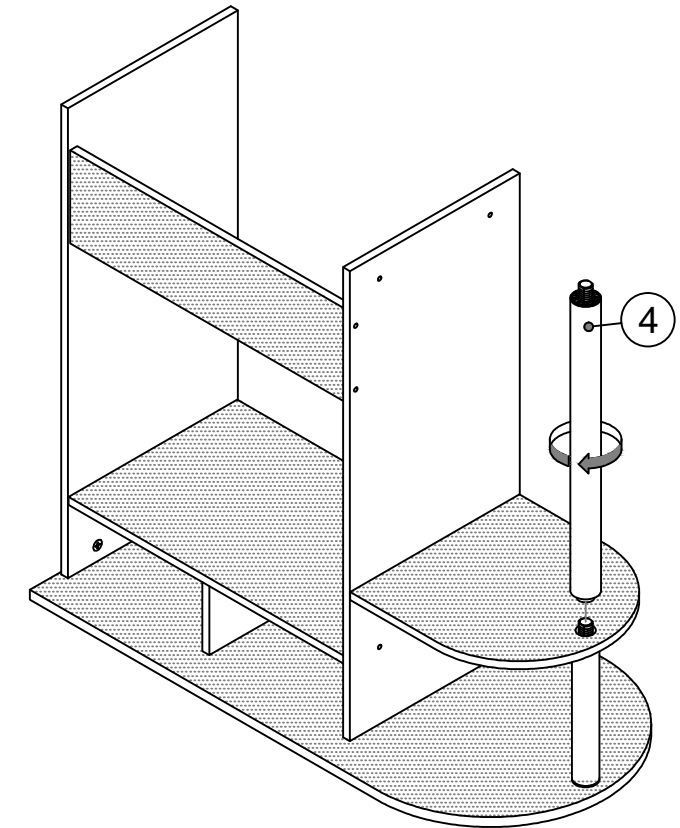
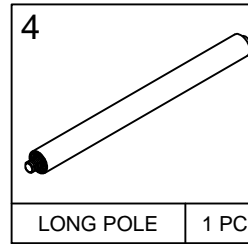
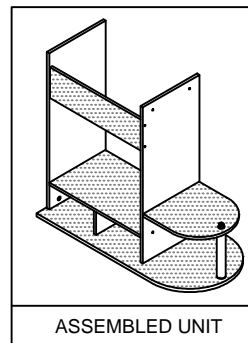
HARDWARE LIST



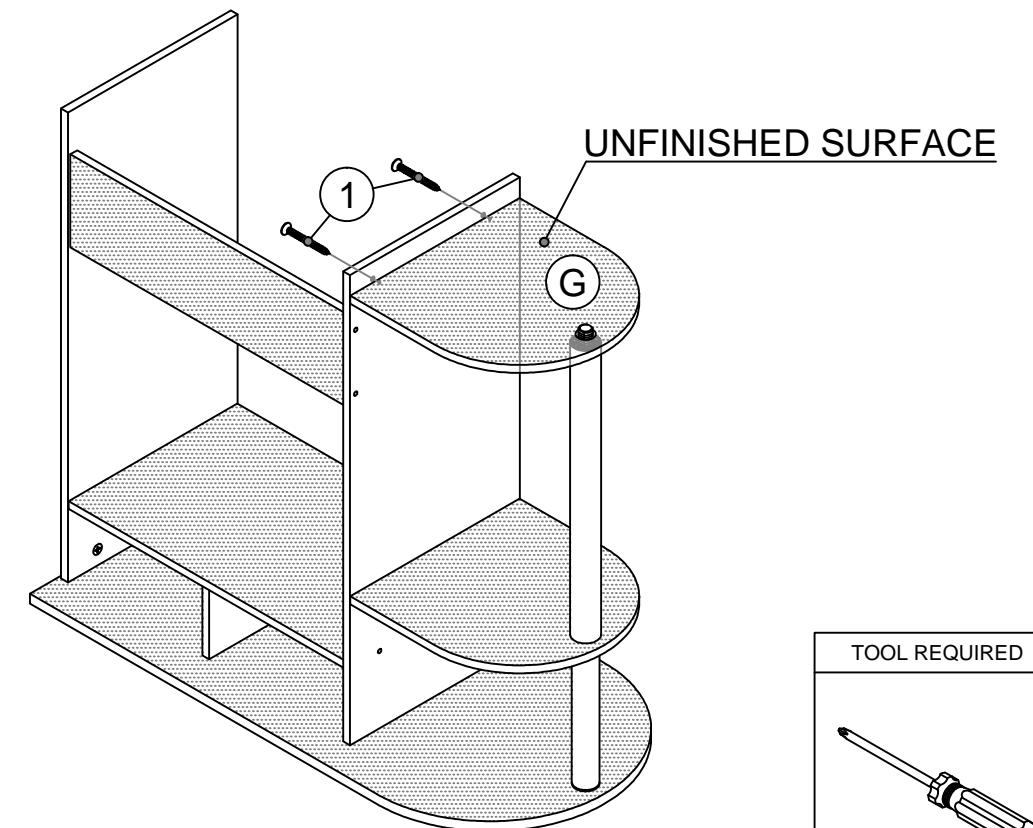
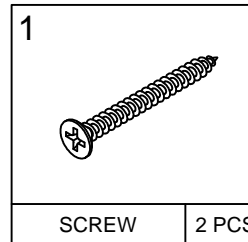
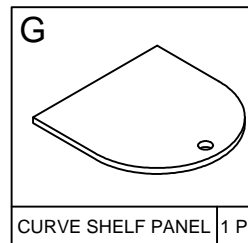
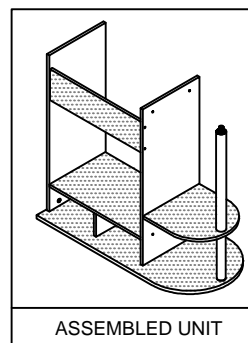
USEFUL HINTS BEFORE YOU START:

1. Read each step carefully before starting.
2. It is important that each step is performed in correct order to avoid difficulties.
3. Identify, soft and count the parts before assembly.
4. Assemble your furniture on packaging cardboard to prevent scratch or damage.
5. Clean the product with mild cleanser using soft damped cloth. Do not use harsh or abrasive cleanser.
6. Using incompatible hardware might cause damage to product.

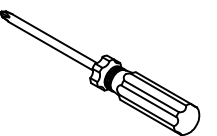
STEP 9

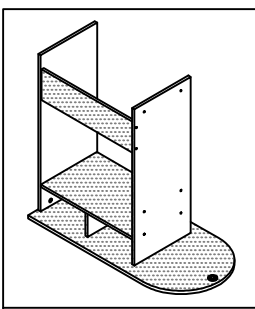


STEP 10

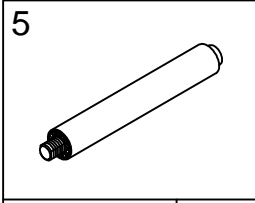


TOOL REQUIRED



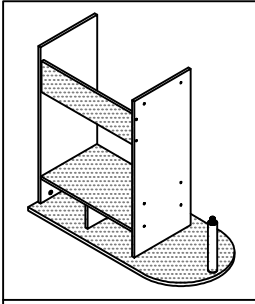
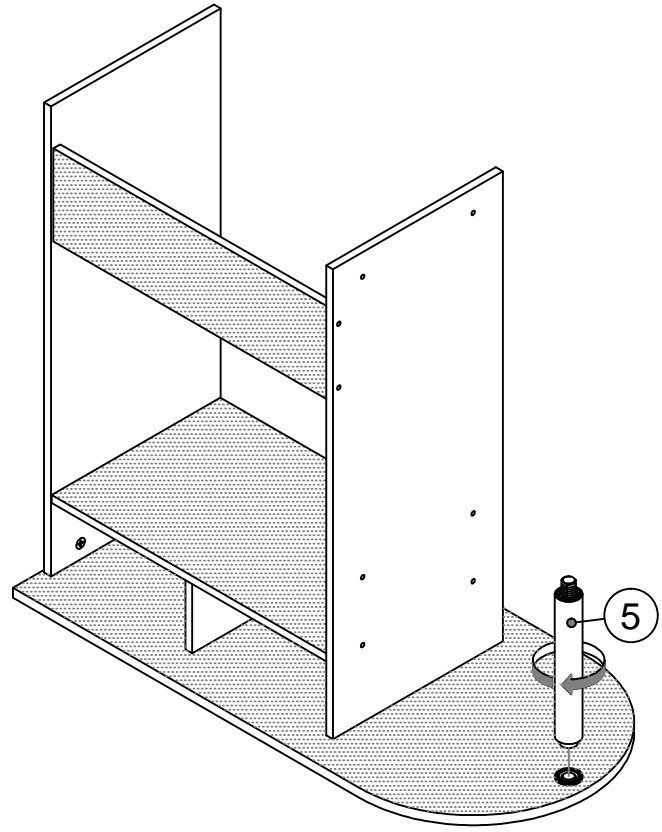


ASSEMBLED UNIT

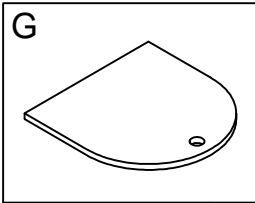


5 SHORT POLE 1 PC

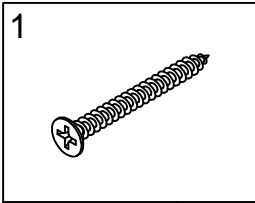
STEP 7



ASSEMBLED UNIT

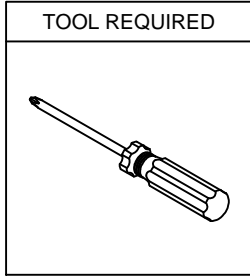
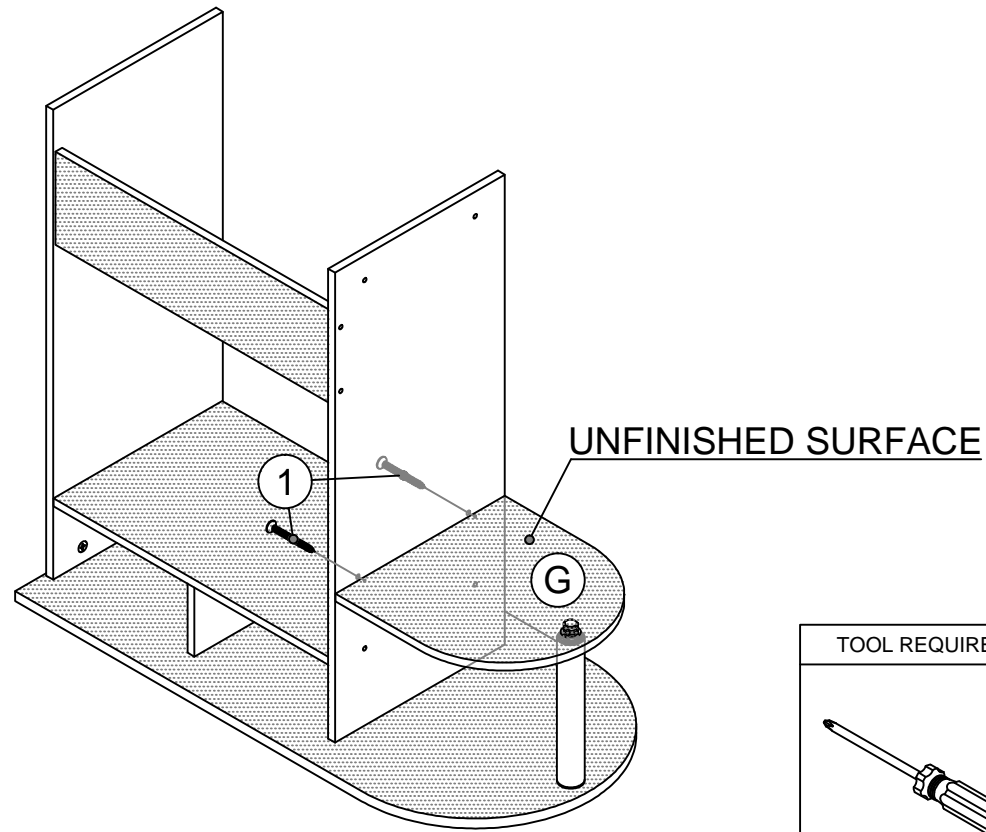


G CURVE SHELF PANEL 1 PC

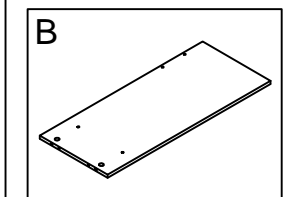


1 SCREW 2 PCS

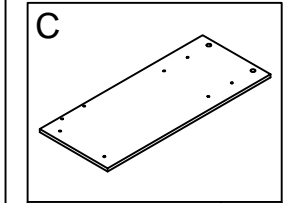
STEP 8



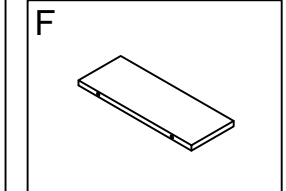
TOOL REQUIRED



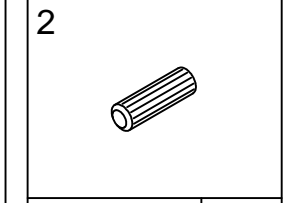
B LEFT SIDE PANEL 1 PC



C RIGHT SIDE PANEL 1 PC

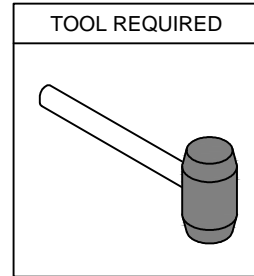
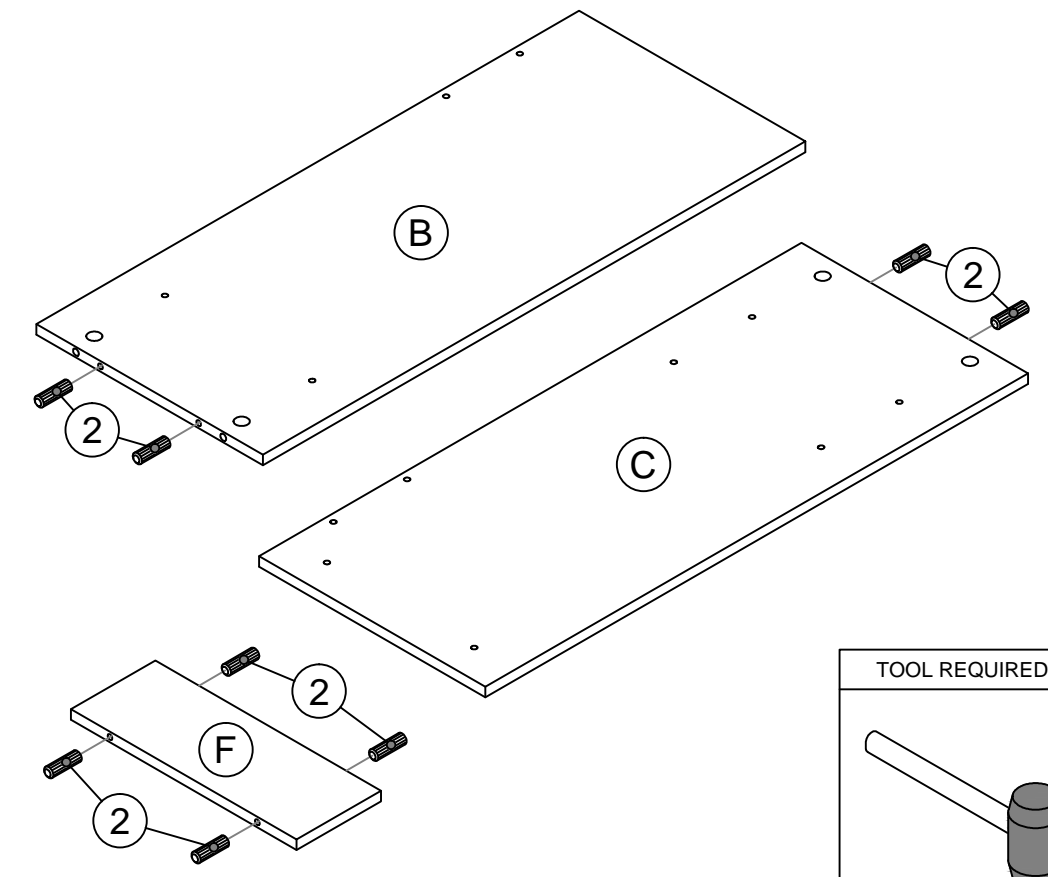


F CENTER PANEL 1 PC

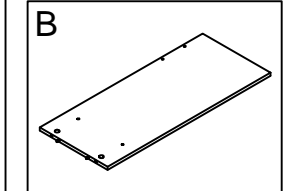


2 DOWEL 8 PCS

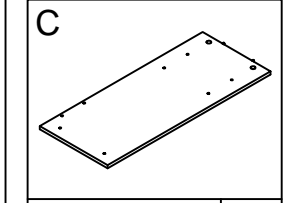
STEP 1



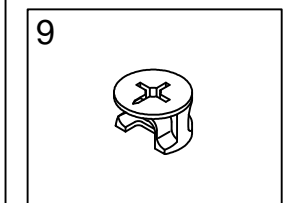
TOOL REQUIRED



B LEFT SIDE PANEL 1 PC

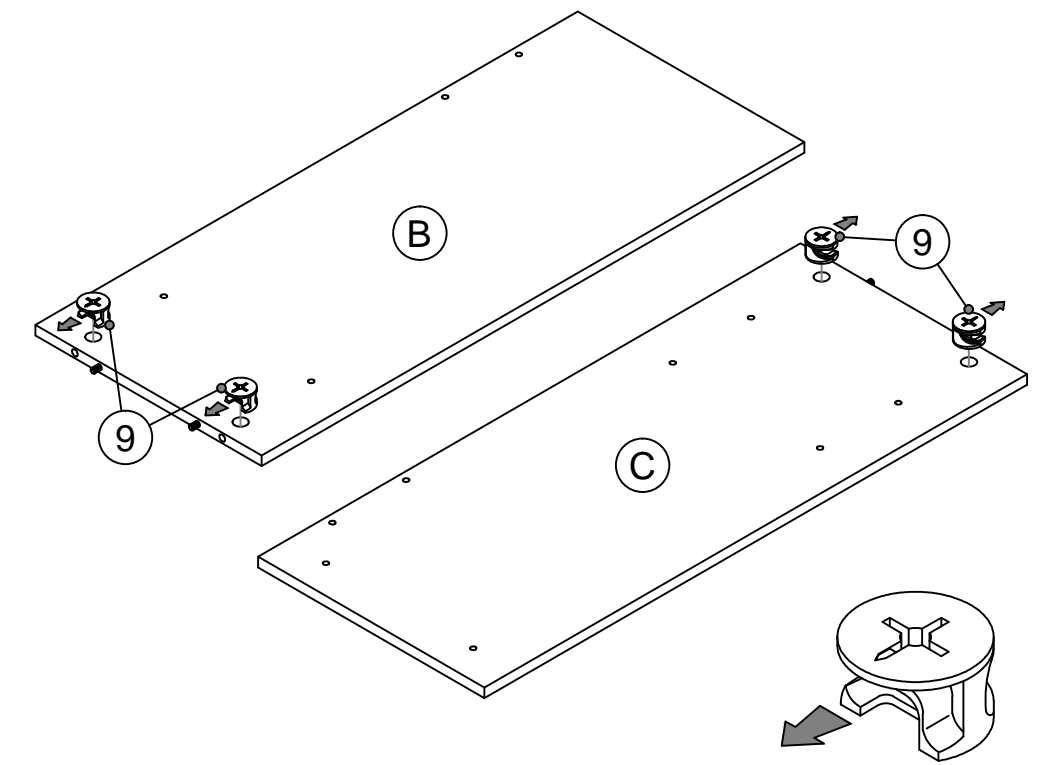


C RIGHT SIDE PANEL 1 PC

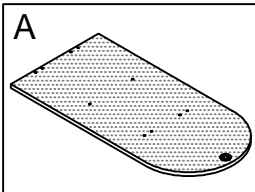


9 CAM-LOCK NUT 4 PCS

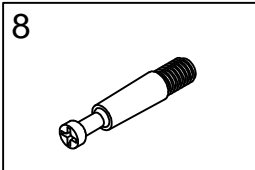
STEP 2



ARROW FACING OUTWARD

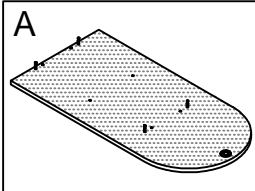
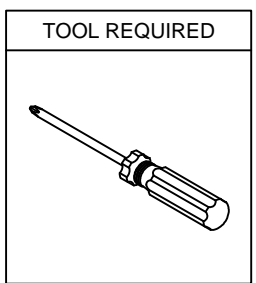
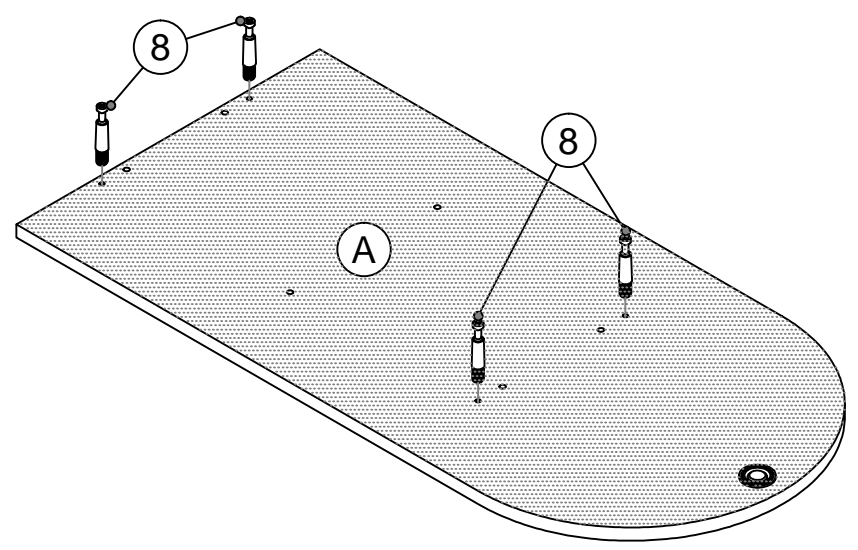


TOP PANEL 1 PC

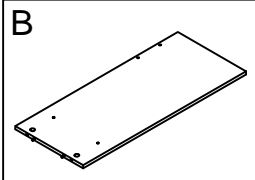


CAM-LOCK SCREW 4 PCS

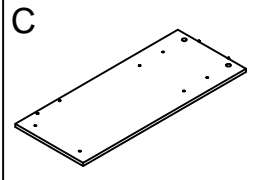
STEP 3



TOP PANEL 1 PC

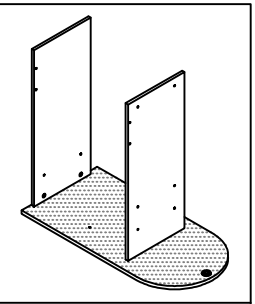
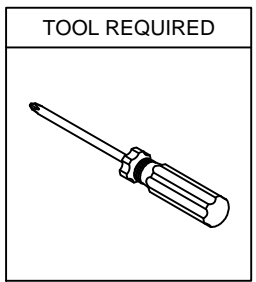
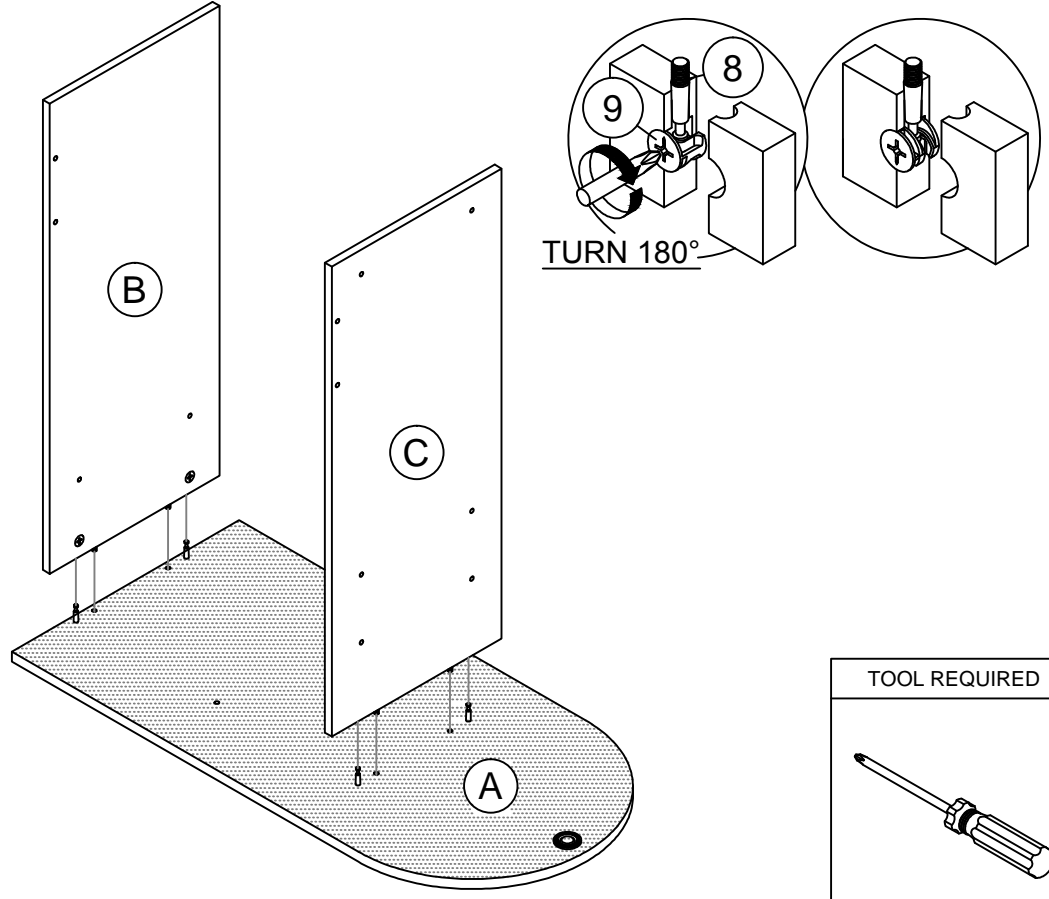


LEFT SIDE PANEL 1 PC

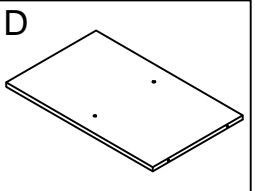


RIGHT SIDE PANEL 1 PC

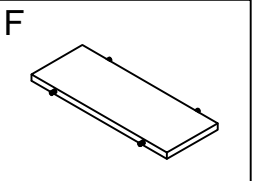
STEP 4



ASSEMBLED UNIT

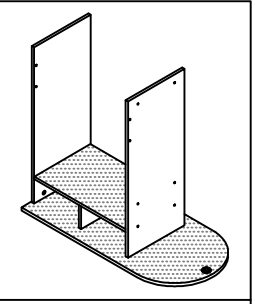
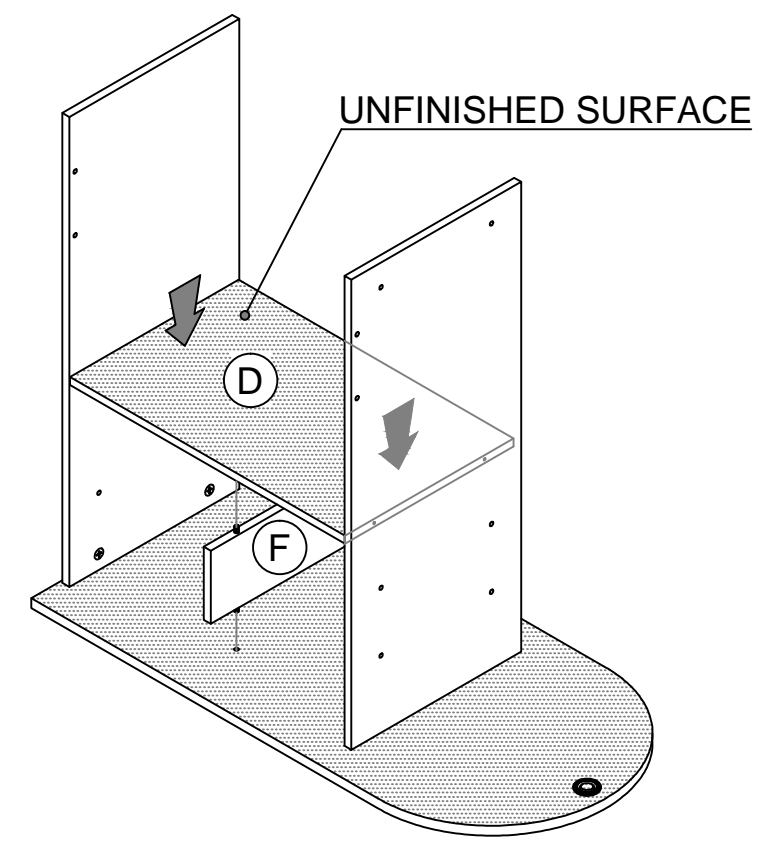


SHELF PANEL 1 PC

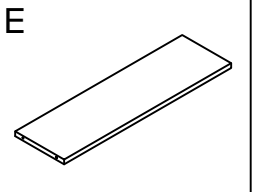


CENTER PANEL 1 PC

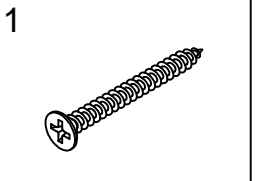
STEP 5



ASSEMBLED UNIT



BOTTOM PANEL 1 PC



SCREW 8 PCS

STEP 6

