



*Designed for Fun, Built to Last®*

SKU# BG50348

# LOGAN 7-FT POOL TABLE COMBO SET WITH BENCHES ASSEMBLY INSTRUCTIONS



## **Questions, problems, missing parts?**

Contact Blue Wave Customer Service at 1-800-759-0977, Monday – Friday.  
8am – 5pm (CST)

# THANK YOU!

**Thank you for purchasing this product.** We work around the clock and around the globe to ensure that our products maintain the highest possible quality. However, in the rare case of issues during assembly or use of this product, please contact **Blue Wave Customer Service at 1-800-759-0977** for immediate assistance before contacting your retailer. Please read the warranty information at the back of these assembly instructions for further details.



## SAVE THIS INSTRUCTION MANUAL

Use of unauthorized replacement parts voids the warranty.

## ATTENTION INSTALLER!

THIS MANUAL CONTAINS IMPORTANT INFORMATION ABOUT THE INSTALLATION, OPERATION, AND SAFE USE OF THIS PRODUCT AND MUST BE FURNISHED TO THE END USER. FAILURE TO READ AND FOLLOW ALL INSTRUCTIONS COULD RESULT IN SERIOUS INJURY.

## ASSEMBLY TIPS

### **IMPORTANT! PLEASE READ THESE ASSEMBLY INSTRUCTIONS IN ENTIRETY BEFORE ASSEMBLING YOUR PRODUCT.**

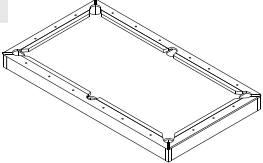
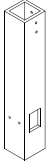

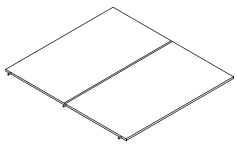
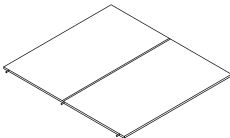
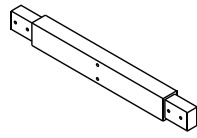
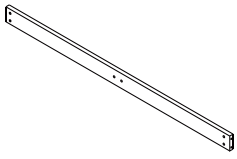
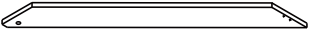
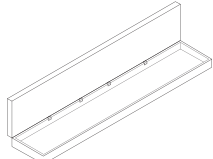
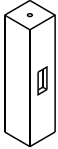
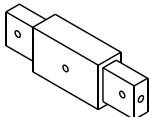
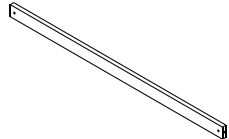
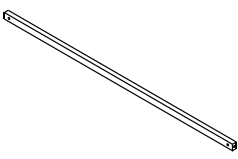
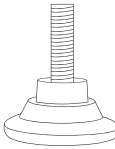
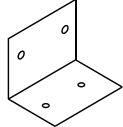
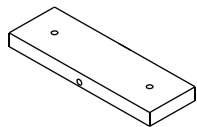
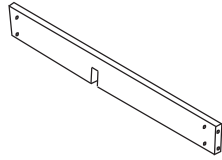
1. Find a clean, level surface to begin the assembly of your game table. We recommend that two adults work together to assemble this game. You may want to carefully cut or tear the four corners of the box so the bottom of the box can be used as your work surface.
2. Remove all of the contents from the box and verify that you have all of the parts shown on the Parts List before you begin assembly. Note: Some parts may be pre-installed or pre-assembled.
3. When installing parts that have more than one screw or bolt, hand tighten in place before final tightening with a screwdriver or wrench.
4. Electric screwdrivers may be helpful during assembly; however, please set a low torque and use extreme caution because screws may be stripped or overtightened, resulting in damaged parts.

## CARE AND USE

1. This product is intended for indoor use only.
2. Do not sit climb, or lean on the game table.
3. Do not drag the table when moving it, this will damage the legs.

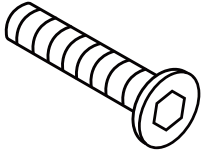
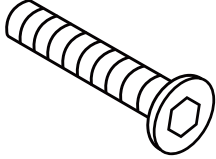
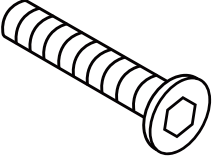
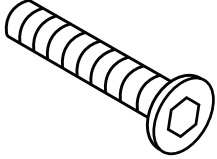
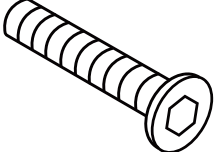
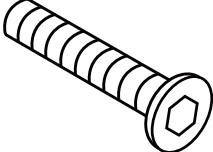
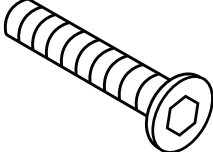
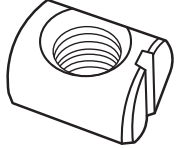
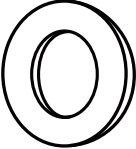

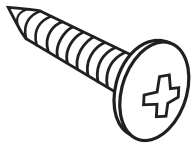
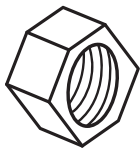
# PARTS LIST

## TABLE

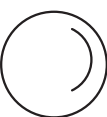
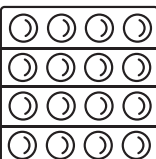
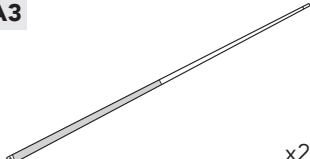


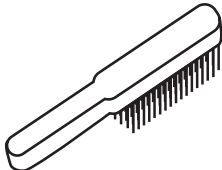
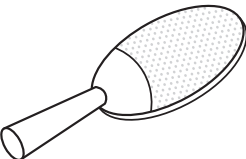
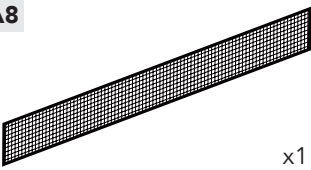

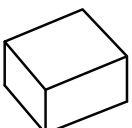
<p><b>1</b></p>  <p>x1</p>	<p><b>2</b></p>  <p>x2</p>	<p><b>3</b></p>  <p>x2</p>	<p><b>4</b></p>  <p>x1</p>
<p><b>NGP7520</b> TABLE BODY</p>	<p><b>NGP7521</b> LEFT LEG</p>	<p><b>NGP7522</b> RIGHT LEG</p>	<p><b>NGP5977</b> TABLE TOP A</p>
<p><b>5</b></p>  <p>x1</p>	<p><b>6</b></p>  <p>x2</p>	<p><b>7</b></p>  <p>x1</p>	<p><b>8</b></p>  <p>x2</p>
<p><b>NGP5978</b> TABLE TOP B</p>	<p><b>NGP7523</b> LEG END SUPPORT</p>	<p><b>NGP7524</b> LEG MIDDLE PANEL</p>	<p><b>NGP7525</b> LEG MIDDLE BRACE</p>
<p><b>9</b></p>  <p>x2</p>	<p><b>10</b></p>  <p>x8</p>	<p><b>11</b></p>  <p>x4</p>	<p><b>12</b></p>  <p>x2</p>
<p><b>NGP5957</b> BENCH</p>	<p><b>NGP7526</b> BENCH LEG</p>	<p><b>NGP7527</b> BENCH END SUPPORT</p>	<p><b>NGP7528</b> BENCH CROSS BRACE</p>
<p><b>13</b></p>  <p>x2</p>	<p><b>14</b></p>  <p>x4</p>	<p><b>15</b></p>  <p>x4</p>	<p><b>16</b></p>  <p>x4</p>
<p><b>NGP7529</b> BENCH MIDDLE SUPPORT</p>	<p><b>NGP50785</b> LEG LEVELER</p>	<p><b>NGP7531</b> "L" BRACKET</p>	<p><b>NGP7532</b> BENCH PLATE</p>
<p><b>17</b></p>  <p>x1</p>			
<p><b>NGP62948</b> TABLE BODY CROSS BRACE</p>			

# PARTS LIST (CONT.)

## HARDWARE PACK - NGP7533

<b>H1</b>  x16	<b>H2</b>  x14	<b>H3</b>  x8	<b>H4</b>  x4
5/16" X 1-1/2" BOLT	5/16" X 2" BOLT	5/16" X 2-3/4" BOLT	5/16" X 3" BOLT
<b>H5</b>  x8	<b>H6</b>  x4	<b>H7</b>  x4	<b>H8</b>  x16
5/16" X 3-1/2" BOLT	5/16" X 4" BOLT	5/16" X 5" BOLT	BARREL NUT
<b>H9</b>  x60	<b>H10</b>  x1	<b>H11</b>  x16	<b>H12</b>  x2
5/16" BLACK FLAT WASHER	HEX WRENCH	5/8" SCREW	NUT

## ACCESSORIES

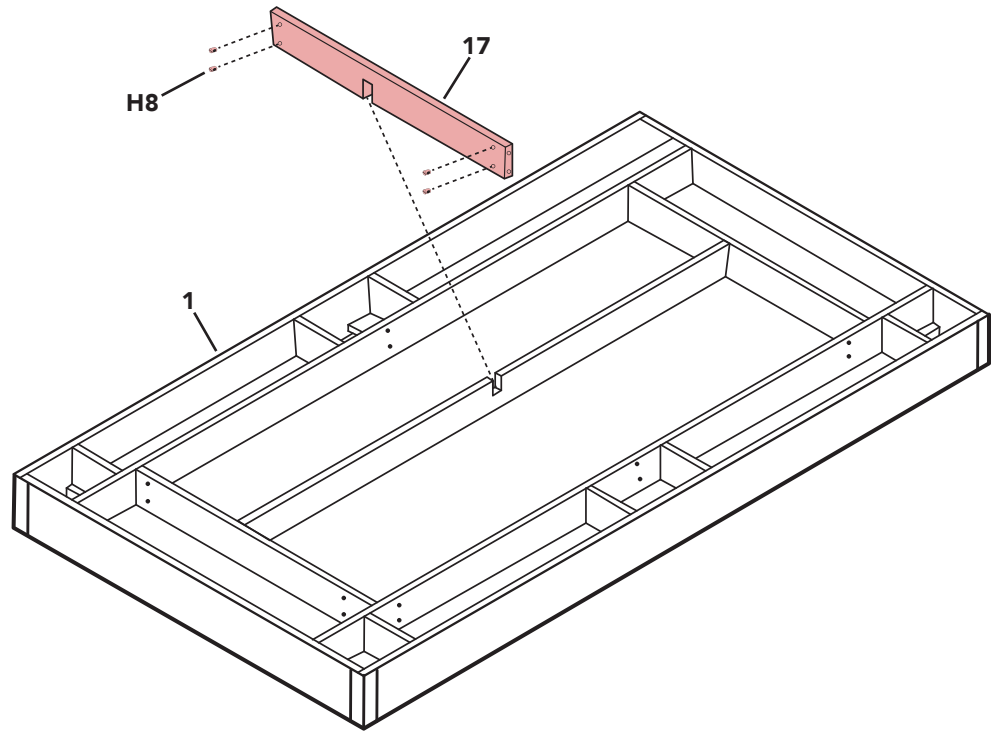
<b>A1</b>  x2	<b>A2</b>  x1	<b>A3</b>  x2	<b>A4</b>  x1
<b>NGP5029</b> TABLE TENNIS BALL	<b>NGP5136</b> BILLIARD BALL SET	<b>NGP5191</b> 2-PIECE CUE STICK	<b>NGP5135</b> TRIANGLE
<b>A5</b>  x2	<b>A6</b>  x1	<b>A7</b>  x2	<b>A8</b>  x1
<b>NGP5077</b> CUE CHALK	<b>NGP5073</b> TABLE BRUSH	<b>NGP5138</b> TABLE TENNIS RACKET	<b>NGP7530</b> GREEN TABLE TENNIS NET
<b>A9</b>  x2	<b>A10</b>  x2		
<b>NGP5951</b> TABLE TENNIS POSTS	<b>NGP5117</b> EVA SUPPORT BLOCK		

# ASSEMBLY INSTRUCTIONS

## STEP 1



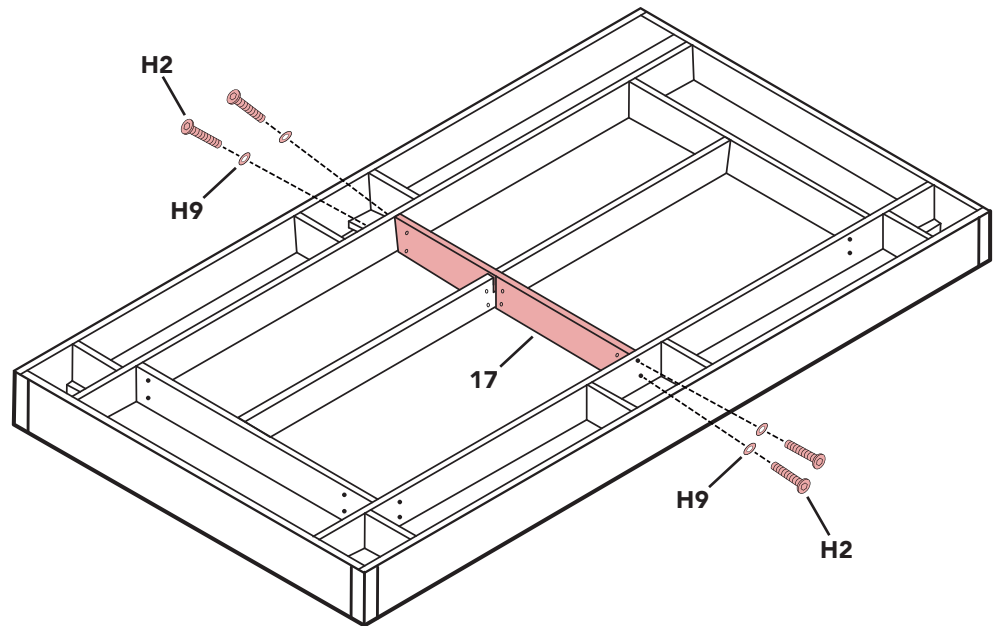
1. Attach four barrel nuts (H8) to the table body cross brace (17), then place in the center notch of the table body (1).



## STEP 2

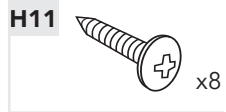
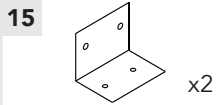


2. Fasten the table body cross brace (17) to the table body by using four 5/16" washers (H9) and four 5/16" bolts (H2).

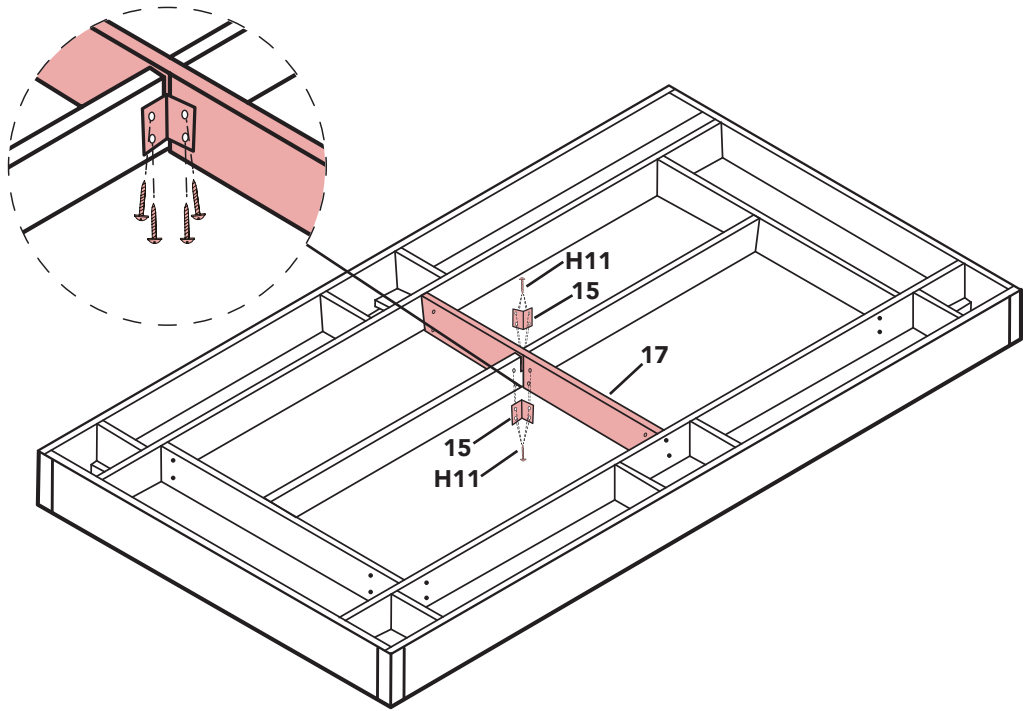


# ASSEMBLY INSTRUCTIONS (CONT.)

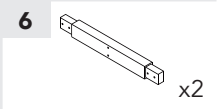
## STEP 3



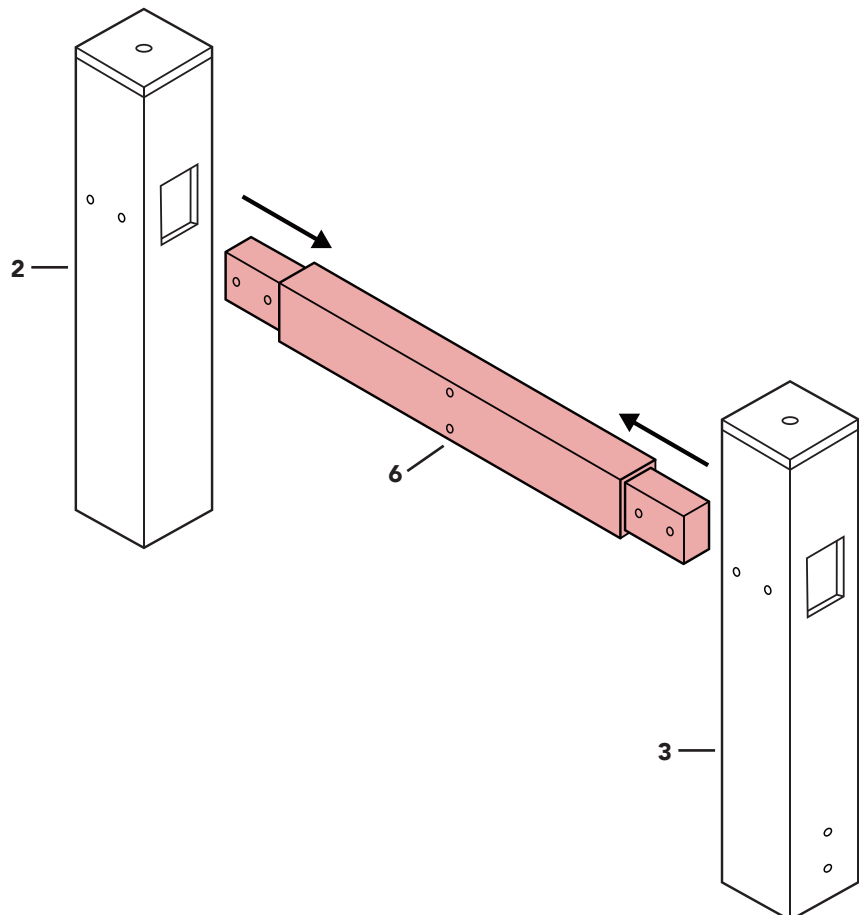
3. Attach two "L" brackets (15) to the table body and the table body cross brace (17) using four 5/8" screws (H11) per "L" bracket.



## STEP 4

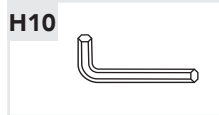
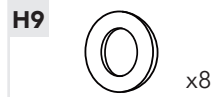


4. Slide the leg end support (6) into both the left (2) and right (3) table legs. Repeat for the other side.

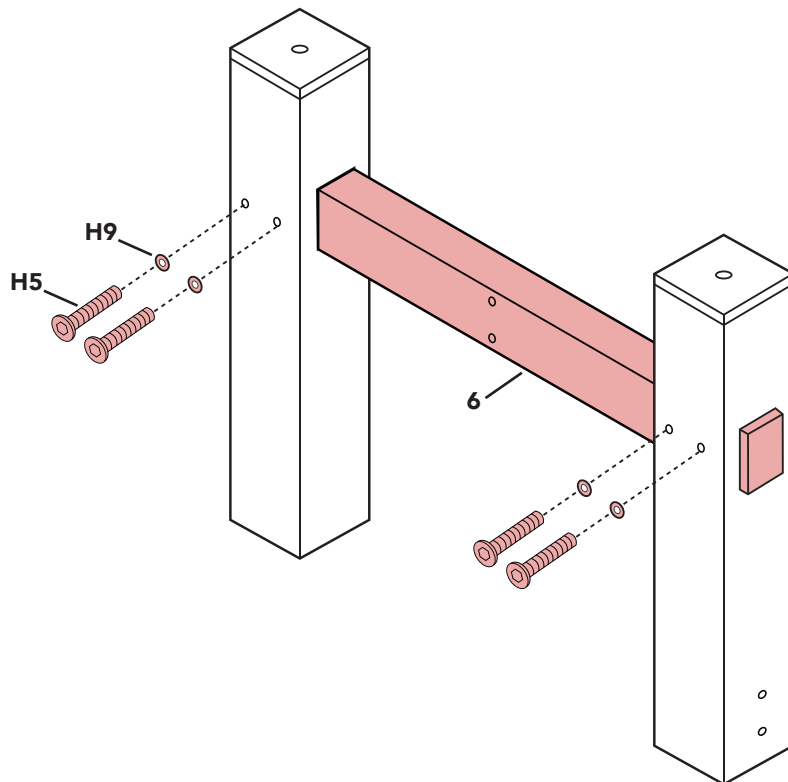


# ASSEMBLY INSTRUCTIONS (CONT.)

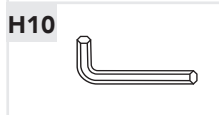
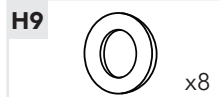
## STEP 5



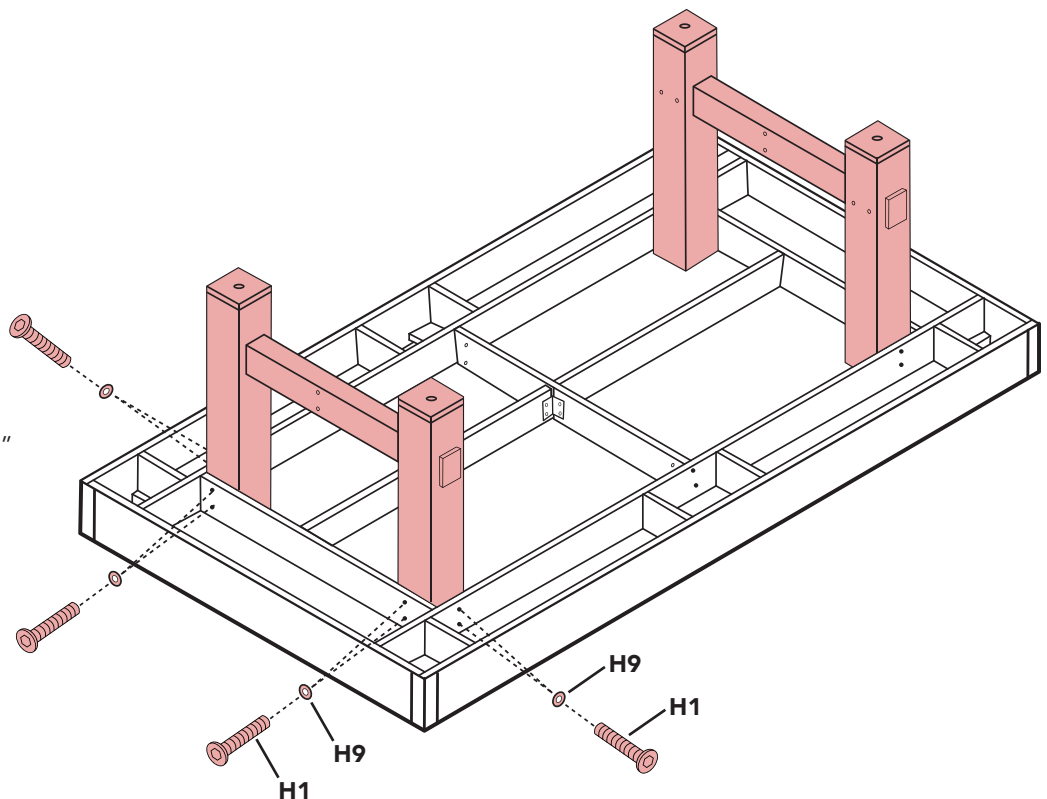
5. Secure the leg end support (6) by using two 5/16" flat washers (H9) and two 5/16" x 3-1/2" bolts (H5) per leg. Repeat for the other side.



## STEP 6

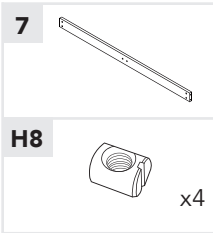


6. Fasten the table legs to the table body by using two 5/16" flat washers (H9) and two 5/16" x 1-1/2" bolts (H1) per leg. Repeat for all four legs.

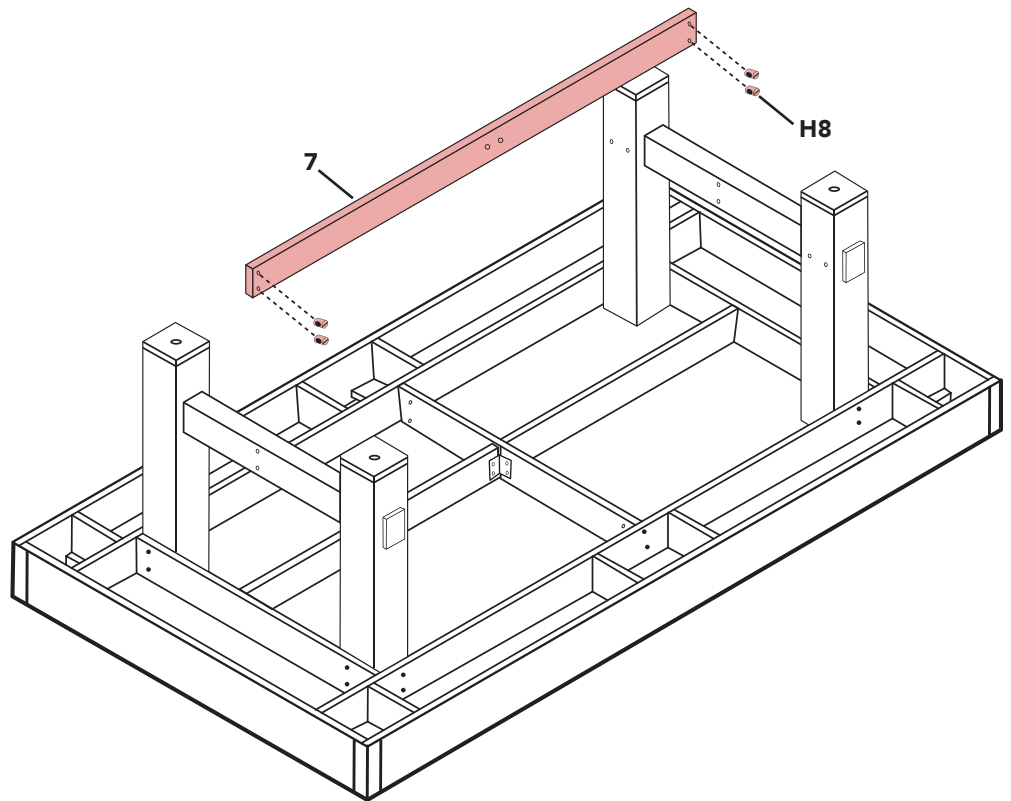


# ASSEMBLY INSTRUCTIONS (CONT.)

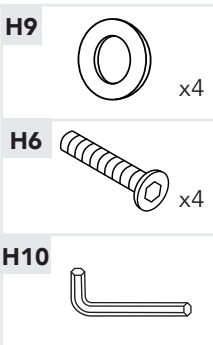
## STEP 7



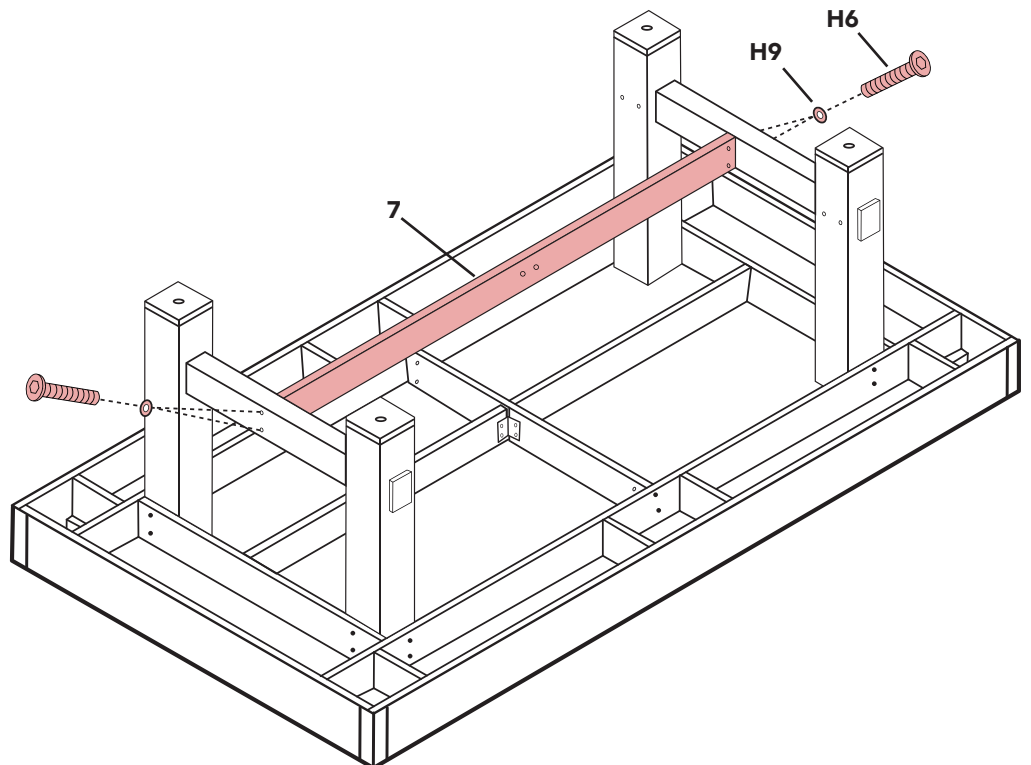
7. Before attaching the leg middle panel (7), insert four barrel nuts (H8) into the pre-drilled areas.



## STEP 8

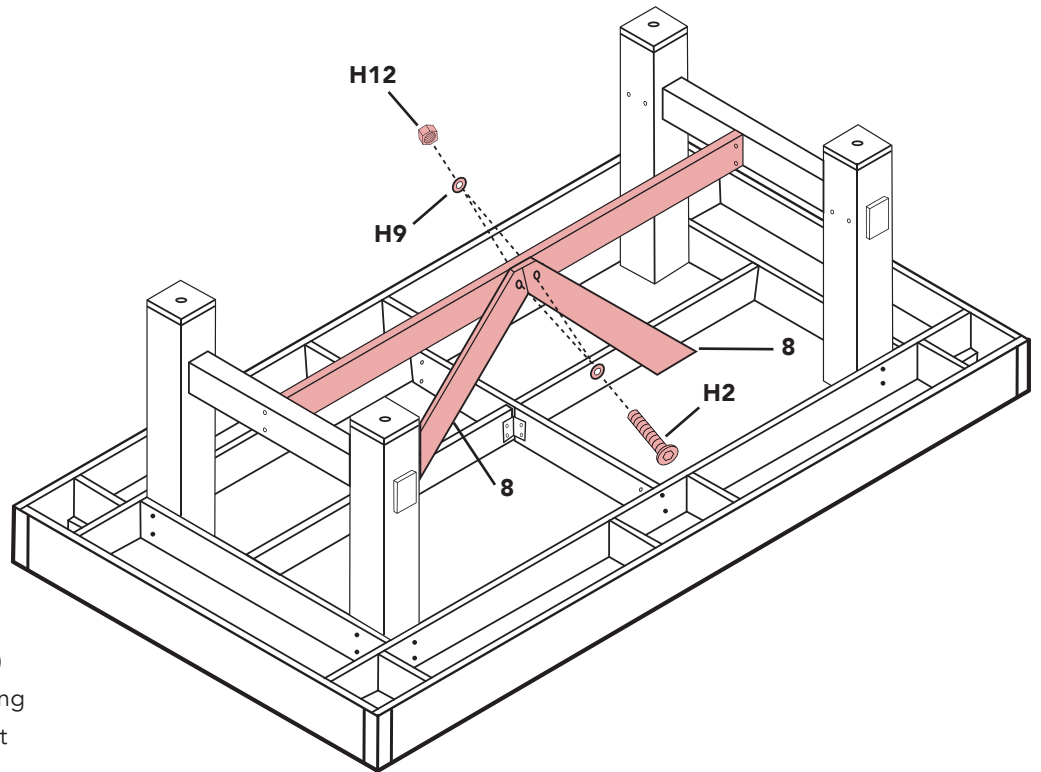
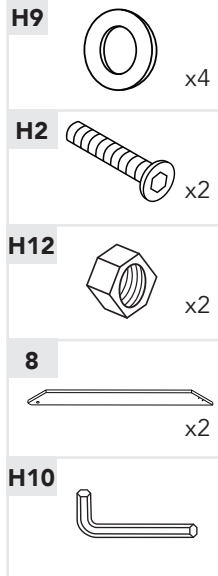


8. Fasten the leg middle panel (7) to the legs using four flat washers (H9) and four 5/16" x 4" bolts (H6).



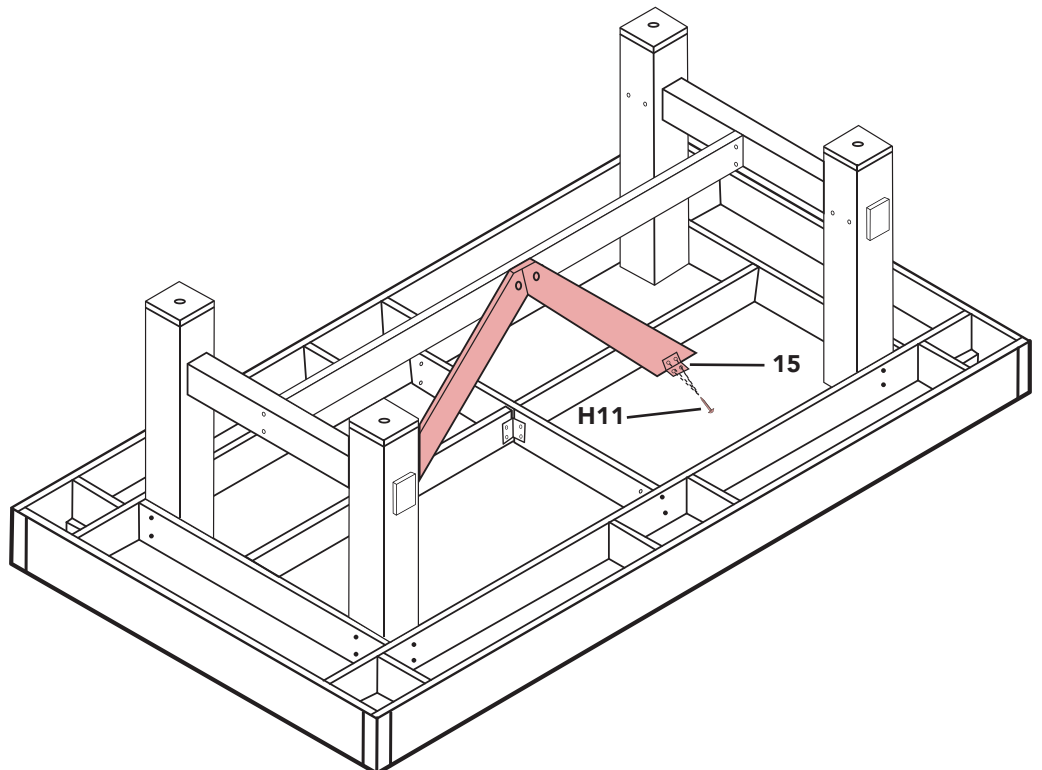
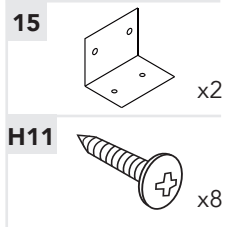
# ASSEMBLY INSTRUCTIONS (CONT.)

## STEP 9



9. Attach both leg middle braces (8) to the leg middle panel (7) by using two 5/16" x 2" bolts (H2), four flat washers (H9), and two nuts (H12).

## STEP 10



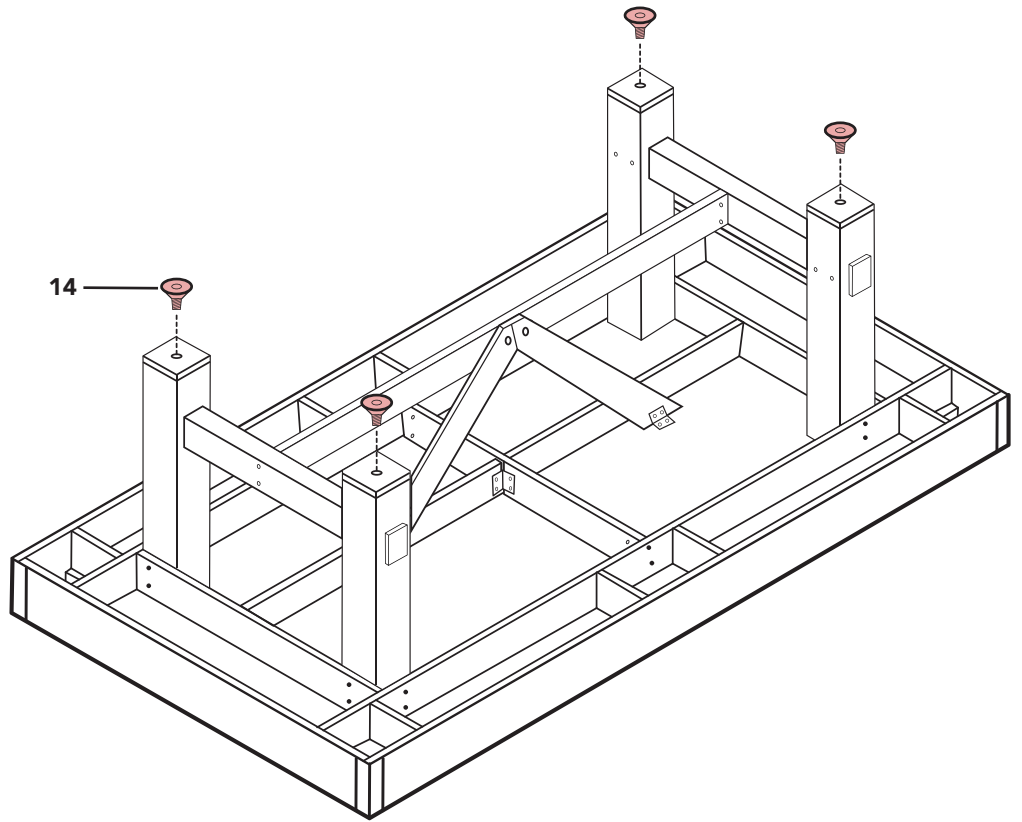
10. Attach the remaining two "L" brackets (15) to the leg middle braces (8) using four 5/18" screws per "L" bracket.

# ASSEMBLY INSTRUCTIONS (CONT.)

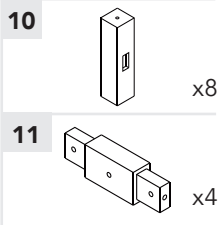
## STEP 11



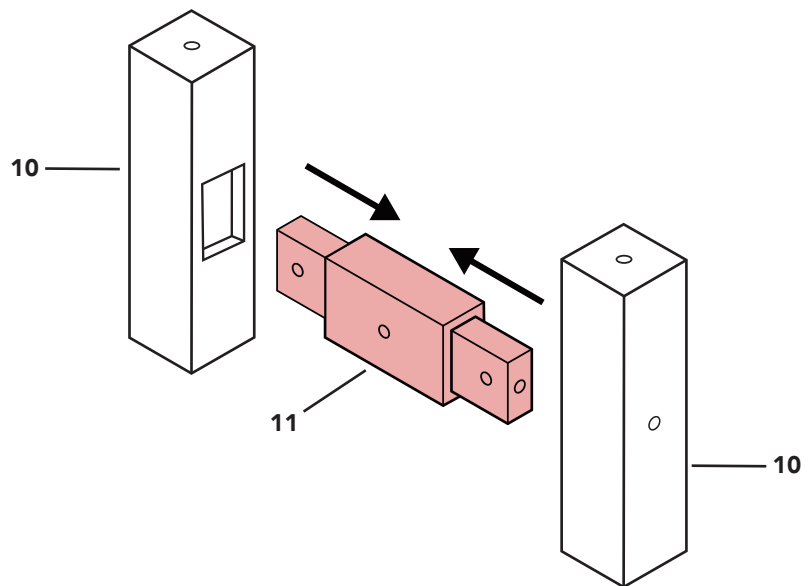
11. When the table body is fully assembled, screw in the four leg levelers (14) to the bottom of each table leg. The table can now be flipped to be right side up.



## STEP 12

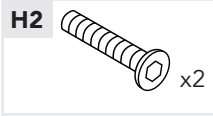
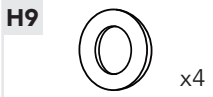


12. Slide the bench end support (11) into both bench legs (10). Repeat for all bench legs.

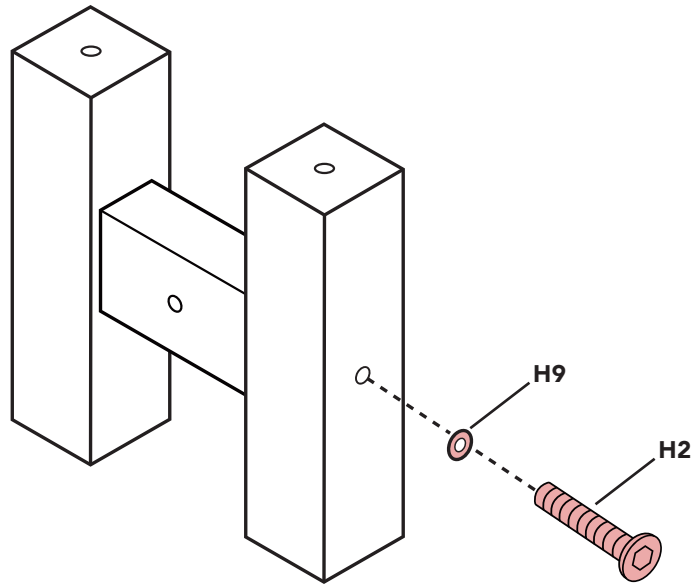


# ASSEMBLY INSTRUCTIONS (CONT.)

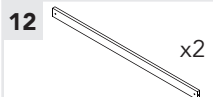
## STEP 13



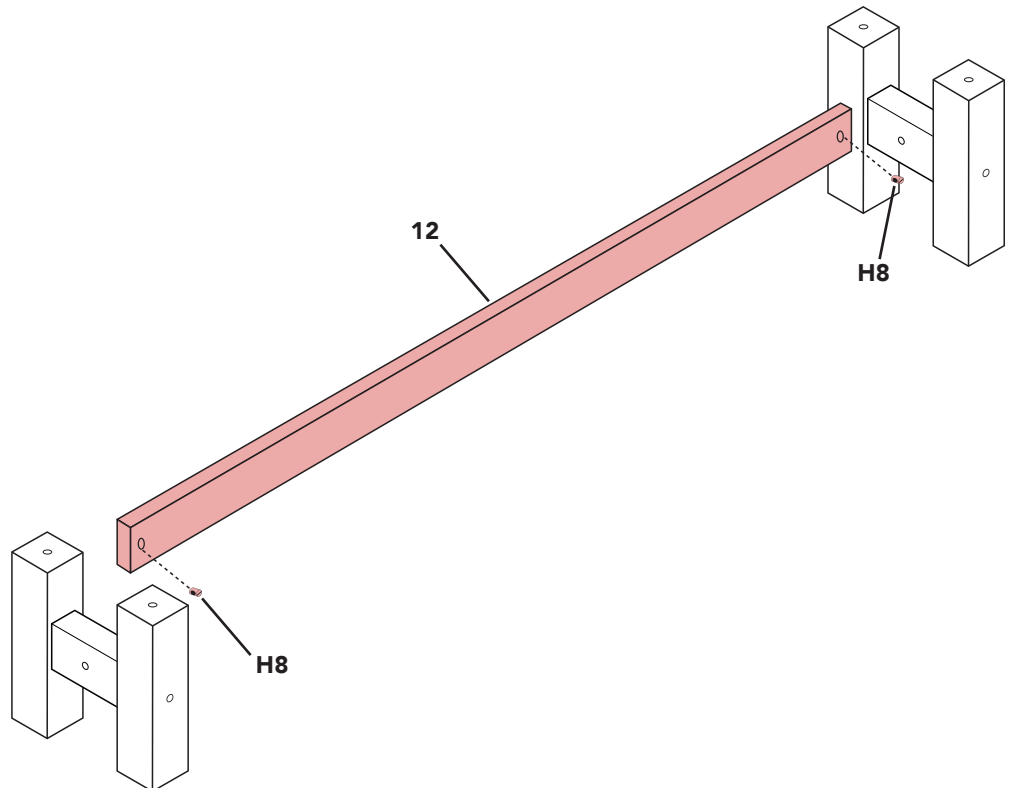
13. Attach both bench legs (10) to the bench end support (11) using one flat washer (H9) and one 5/16" x 2" bolt (H2) per leg. Repeat for all bench legs.



## STEP 14

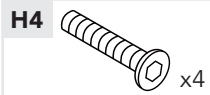
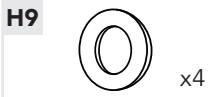


14. Before attaching the bench cross brace (12), insert two barrel nuts (H8) into the pre-drilled areas.

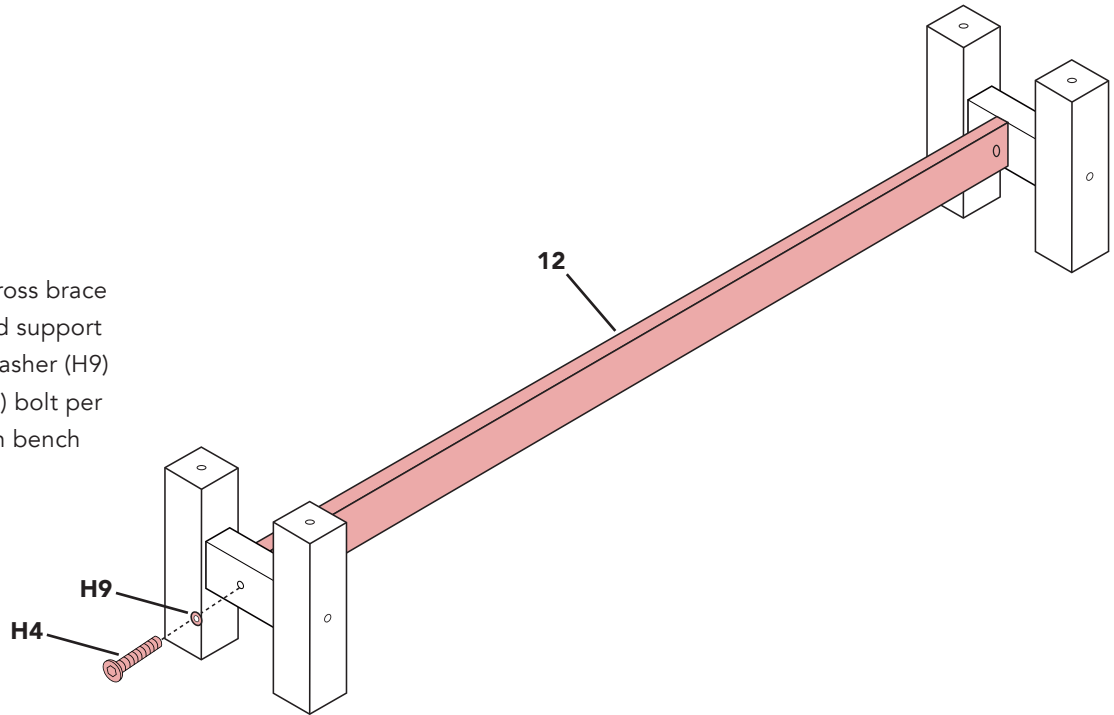


# ASSEMBLY INSTRUCTIONS (CONT.)

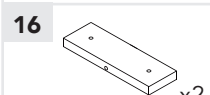
## STEP 15



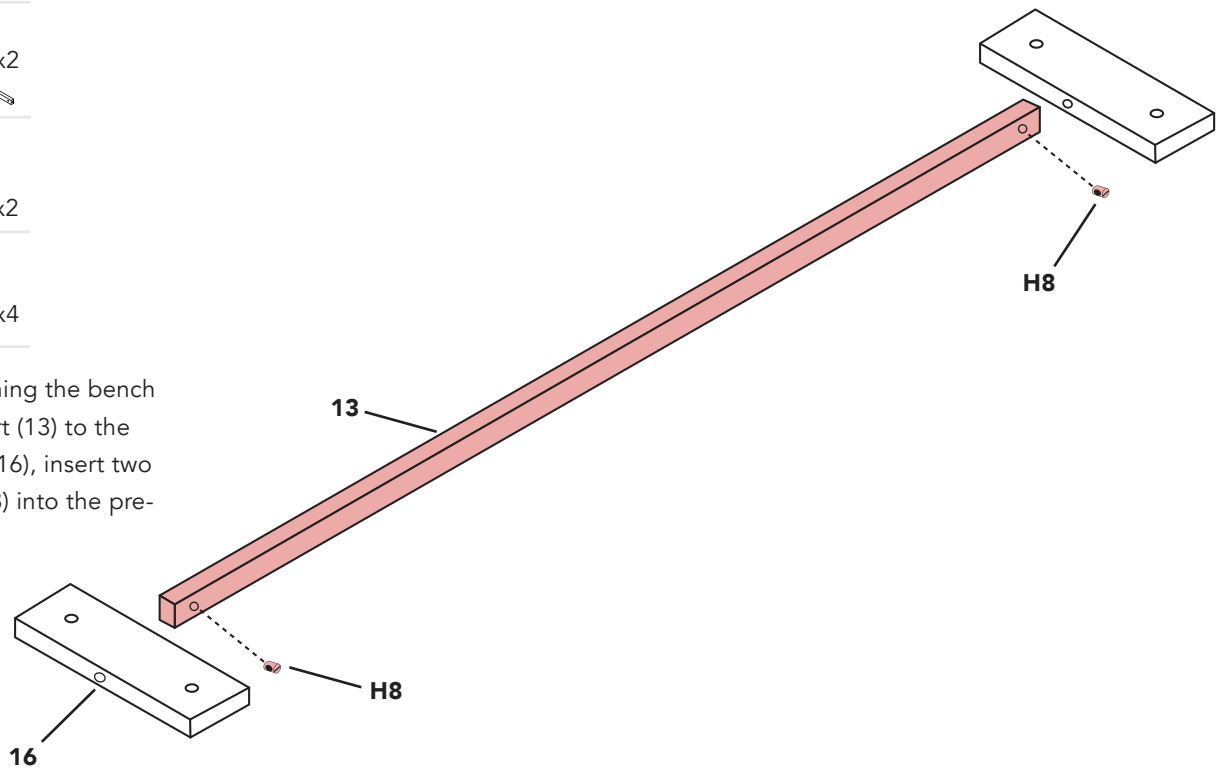
15. Attach the bench cross brace (12) to the bench end support (11) by using a flat washer (H9) and a 5/16" x 3" (H4) bolt per side. Repeat for each bench leg.



## STEP 16

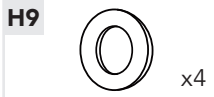


16. Before attaching the bench middle support (13) to the bench plates (16), insert two barrel nuts (H8) into the pre-drilled areas.

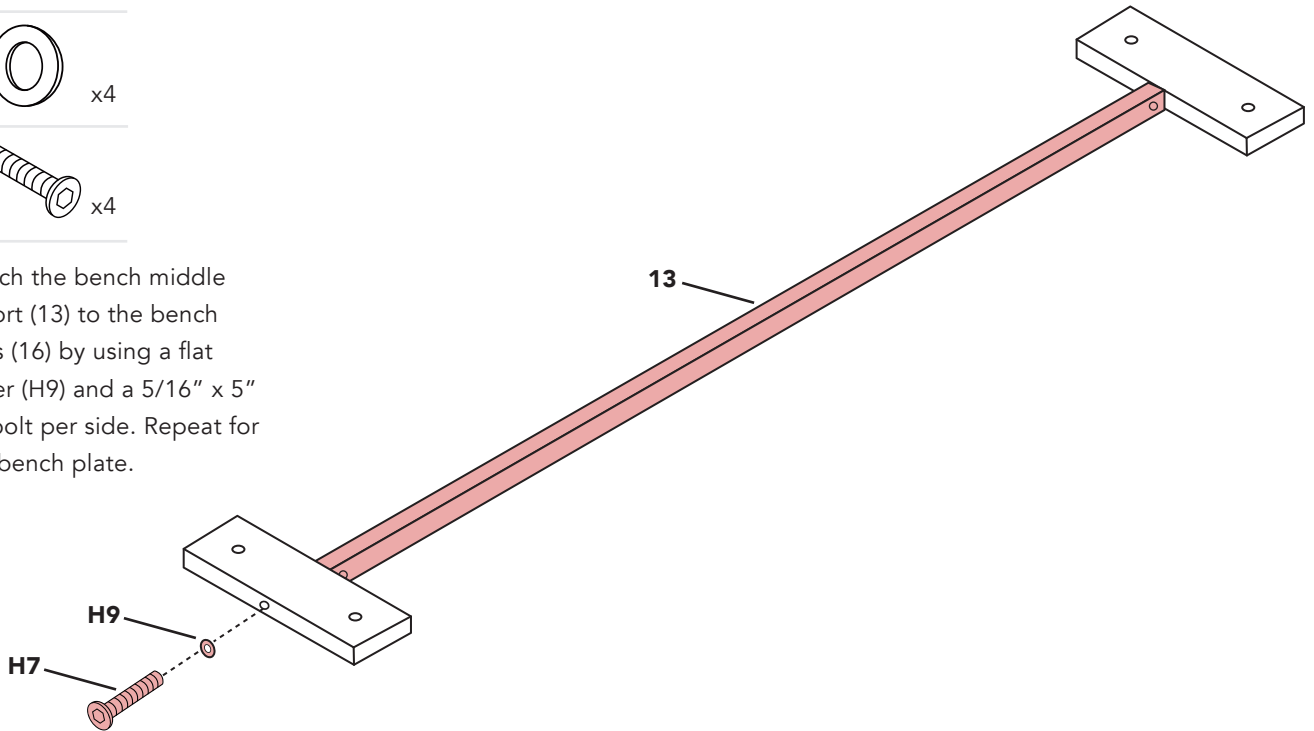


# ASSEMBLY INSTRUCTIONS (CONT.)

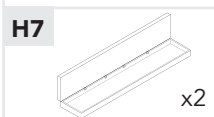
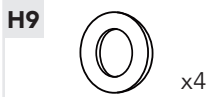
## STEP 17



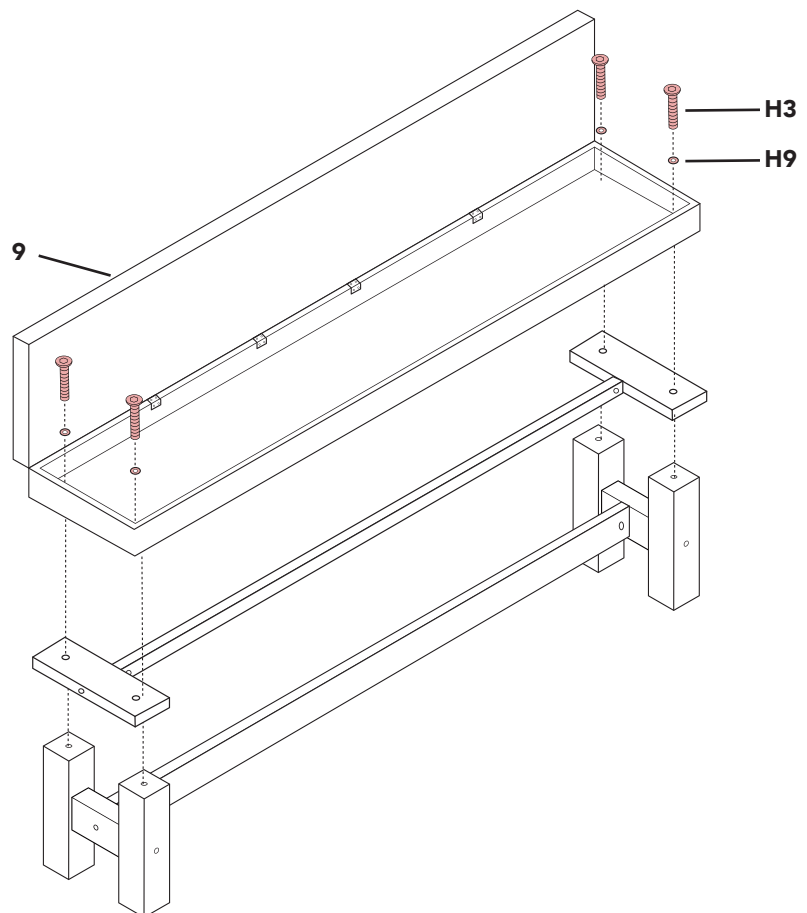
17. Attach the bench middle support (13) to the bench plates (16) by using a flat washer (H9) and a 5/16" x 5" (H7) bolt per side. Repeat for each bench plate.



## STEP 18

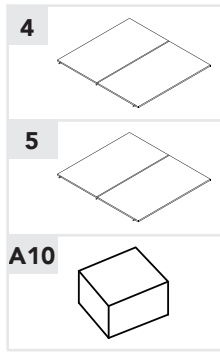


18. Attach the bench to the middle support and the legs using four flat washers (H9) and four 5/16" x 2-3/4" bolts (H3). Repeat for the other bench.

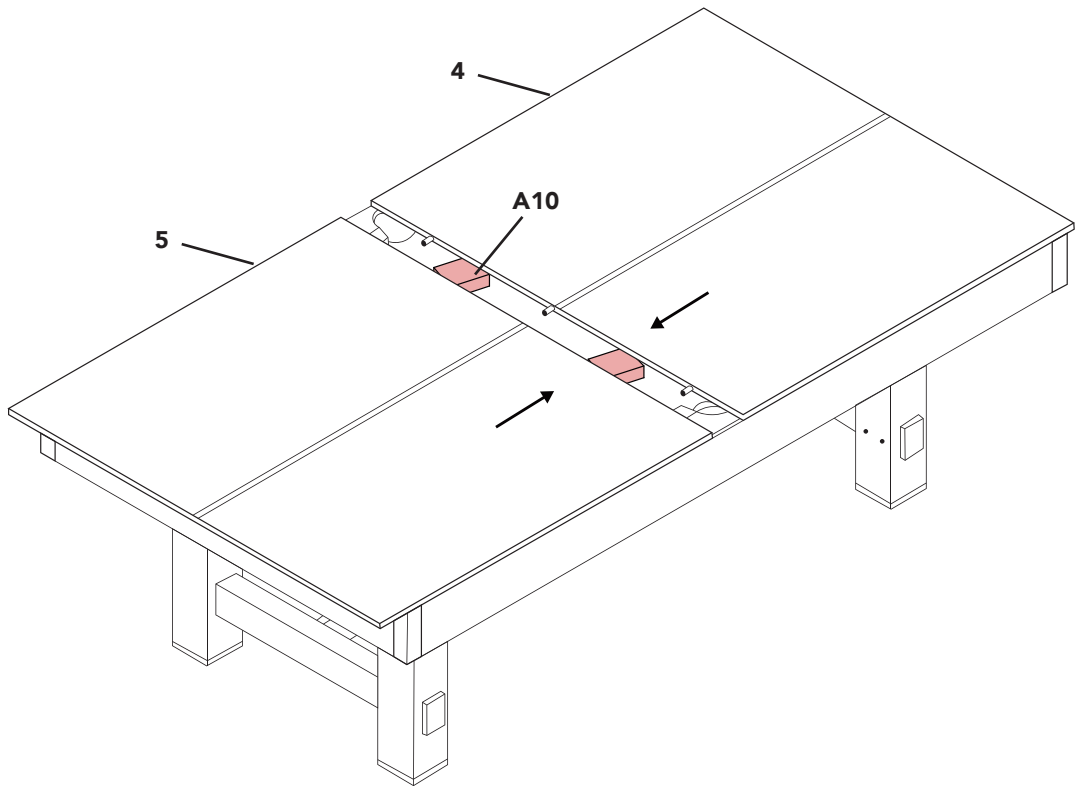


## ASSEMBLY INSTRUCTIONS (CONT.)

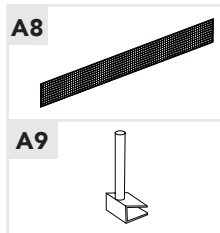
### STEP 19



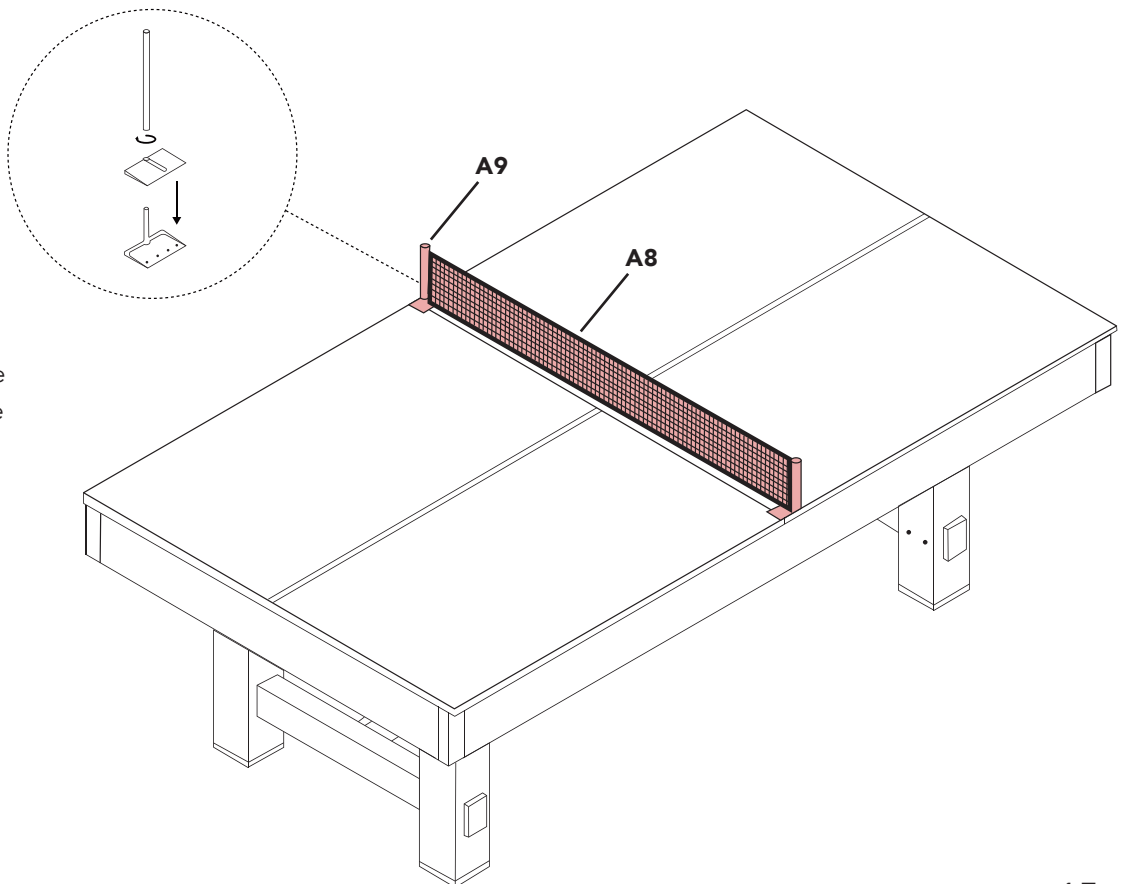
19. To convert the table for table tennis, place two EVA support blocks (A10) on the surface of the table. Join table top A (4) and table top B (5).



### STEP 20



20. Secure the green table tennis net (A8) to the table tennis tops using the table tennis posts (A9).



## 180-DAY LIMITED WARRANTY

This product is warranted to the original purchaser to be free from defects in material or workmanship for a period of 180 days from the date of the original retail purchase.

This warranty does not cover defects or damage due to improper installation, alteration, accident or any other event beyond the control of the manufacturer. Defects or damage resulting from misuse, abuse or negligence will void this warranty. This warranty does not cover scratching or damage that may result from normal usage.

This product is not intended for institutional or commercial use; the manufacturer does not assume any liability for such use. Institutional or commercial use will void this warranty.

This warranty is nontransferable and is expressly limited to the repair or replacement of the defective product. During the warranty period, the manufacturer shall repair or replace defective parts at no cost to the purchaser. Shipping charges and insurance are not covered and are the responsibility of the purchaser. Labor charges and related expenses for removal, installation or replacement of the product or components are not covered under this warranty.

The manufacturer reserves the right to make substitutions to warranty claims if parts are unavailable or obsolete.

The manufacturer shall not be liable for loss of use of the product or other consequential or incidental costs, expenses or damages incurred by the consumer of any other use. The user assumes all risk of injury resulting from the use of this product.

This warranty is expressly in lieu of all other warranties, expressed or implied, including warranties of merchantability or fitness for use to the extent permitted by Federal or state law. Neither the manufacturer nor any of its representatives assumes any other liability in connection with this product.

All warranty claims must be made through the retailer where the product was originally purchased. A purchase receipt or other proof of date of purchase will be required to process all warranty claims. The model number and part numbers found within the assembly instructions will be required when submitting any parts requests or warranty claims.

**For further warranty information or inquiries, please call 800-759-0977.**