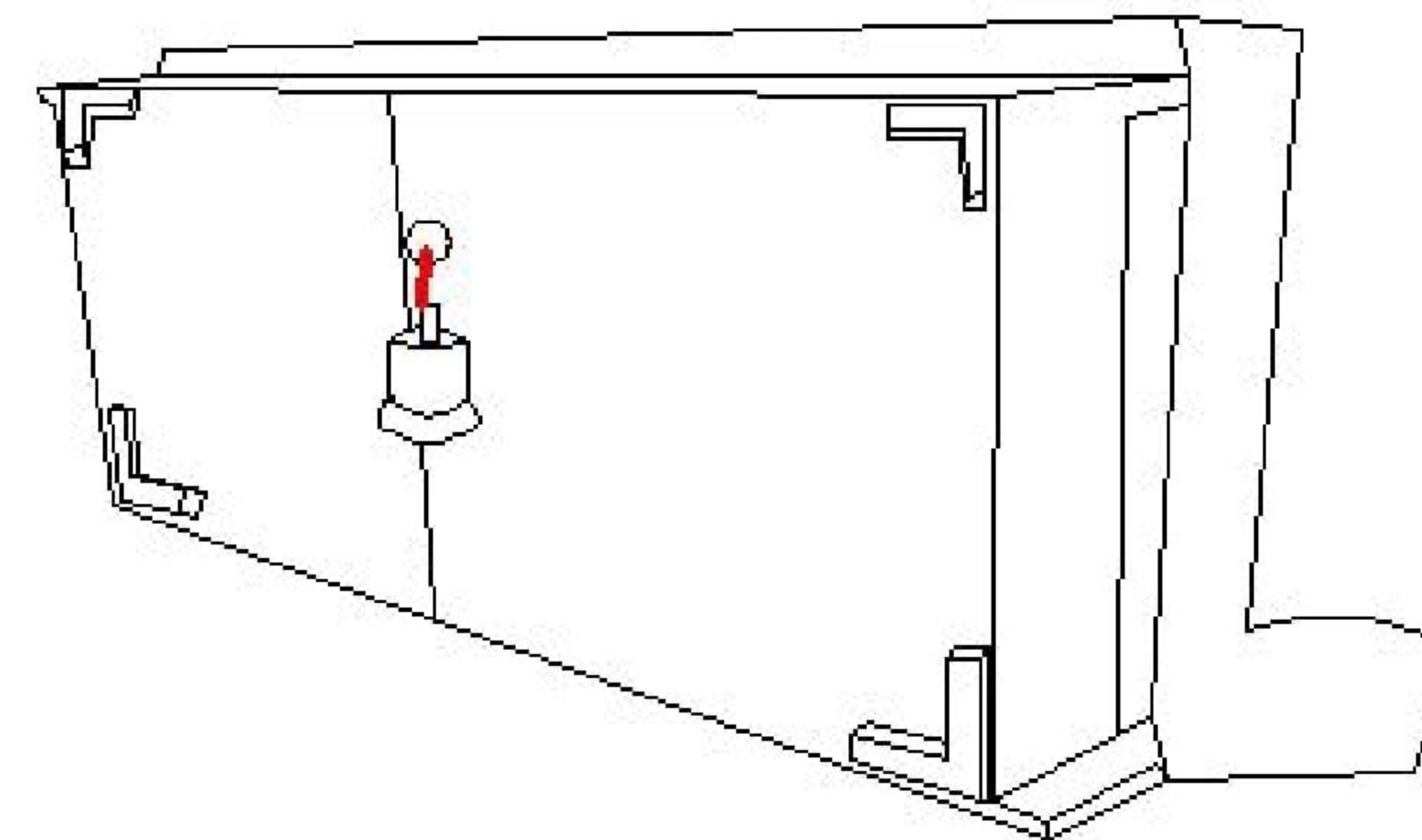
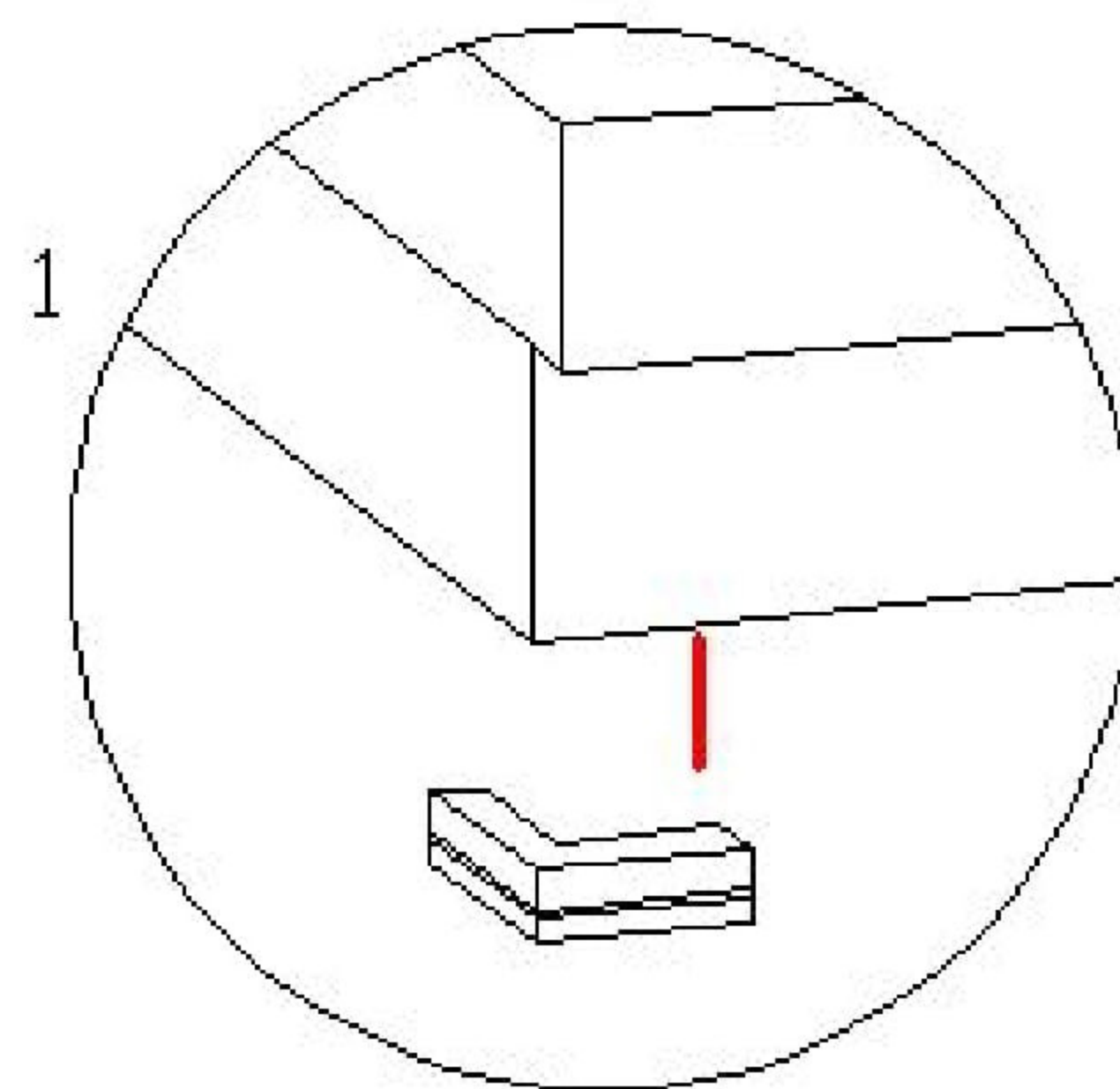
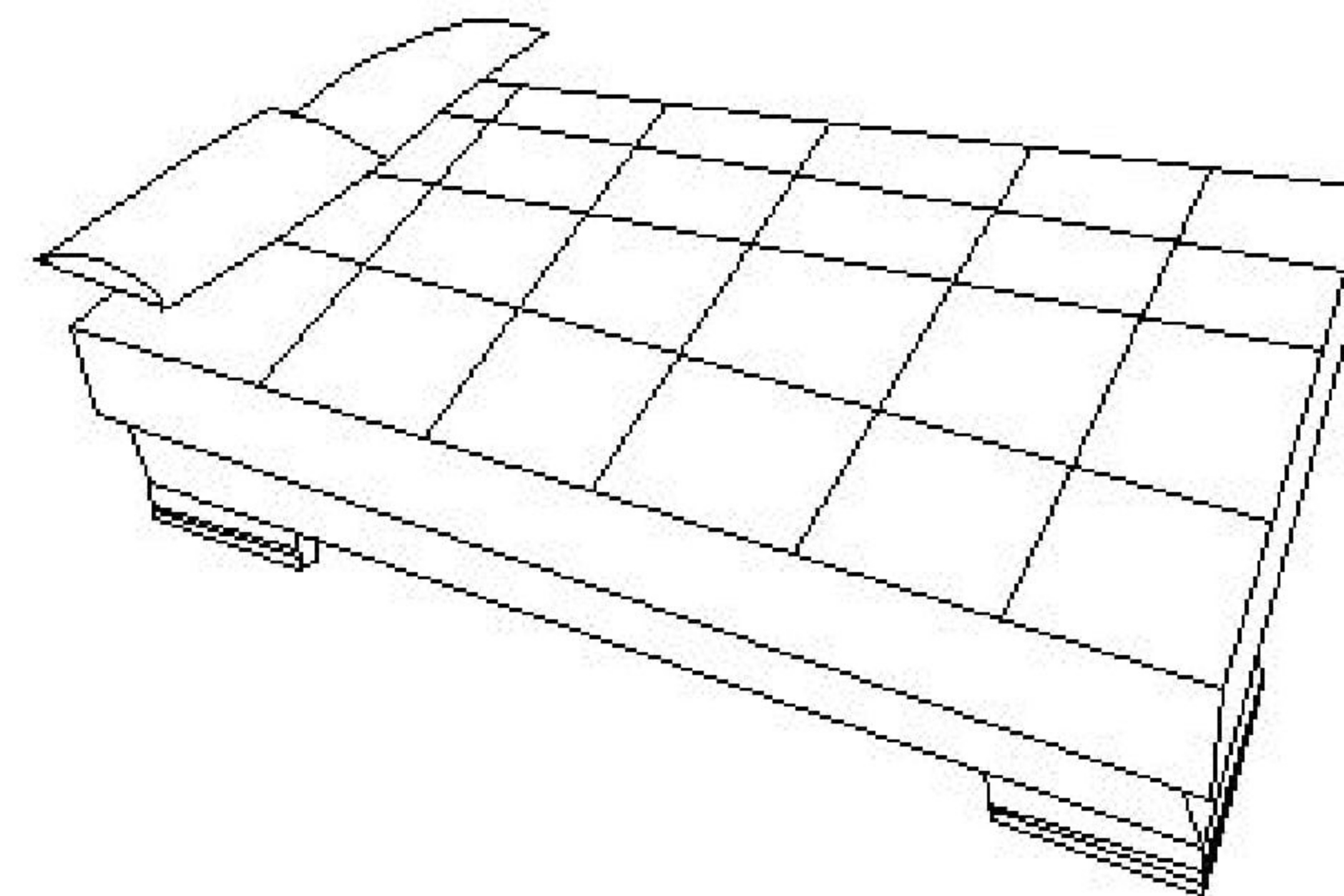
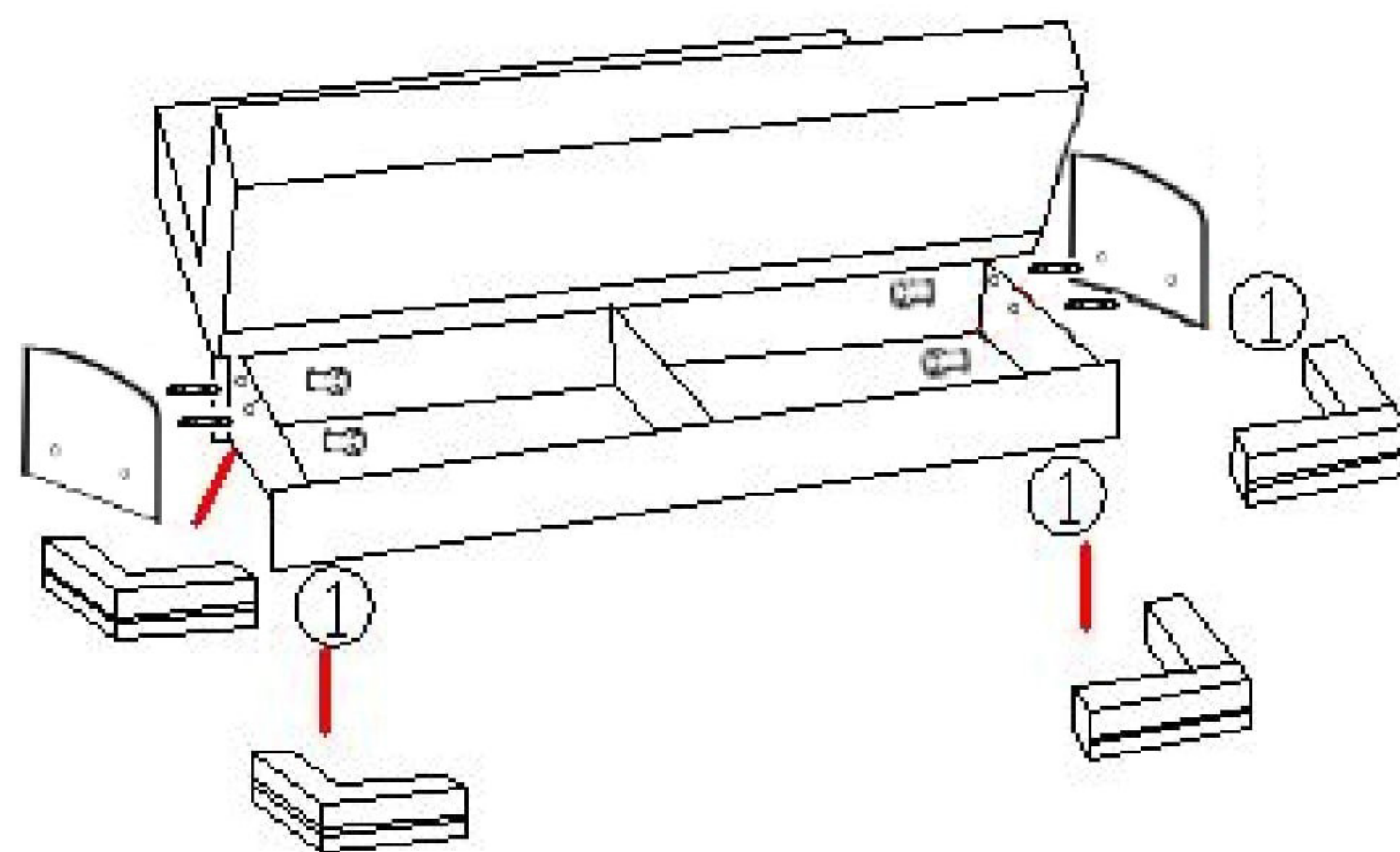
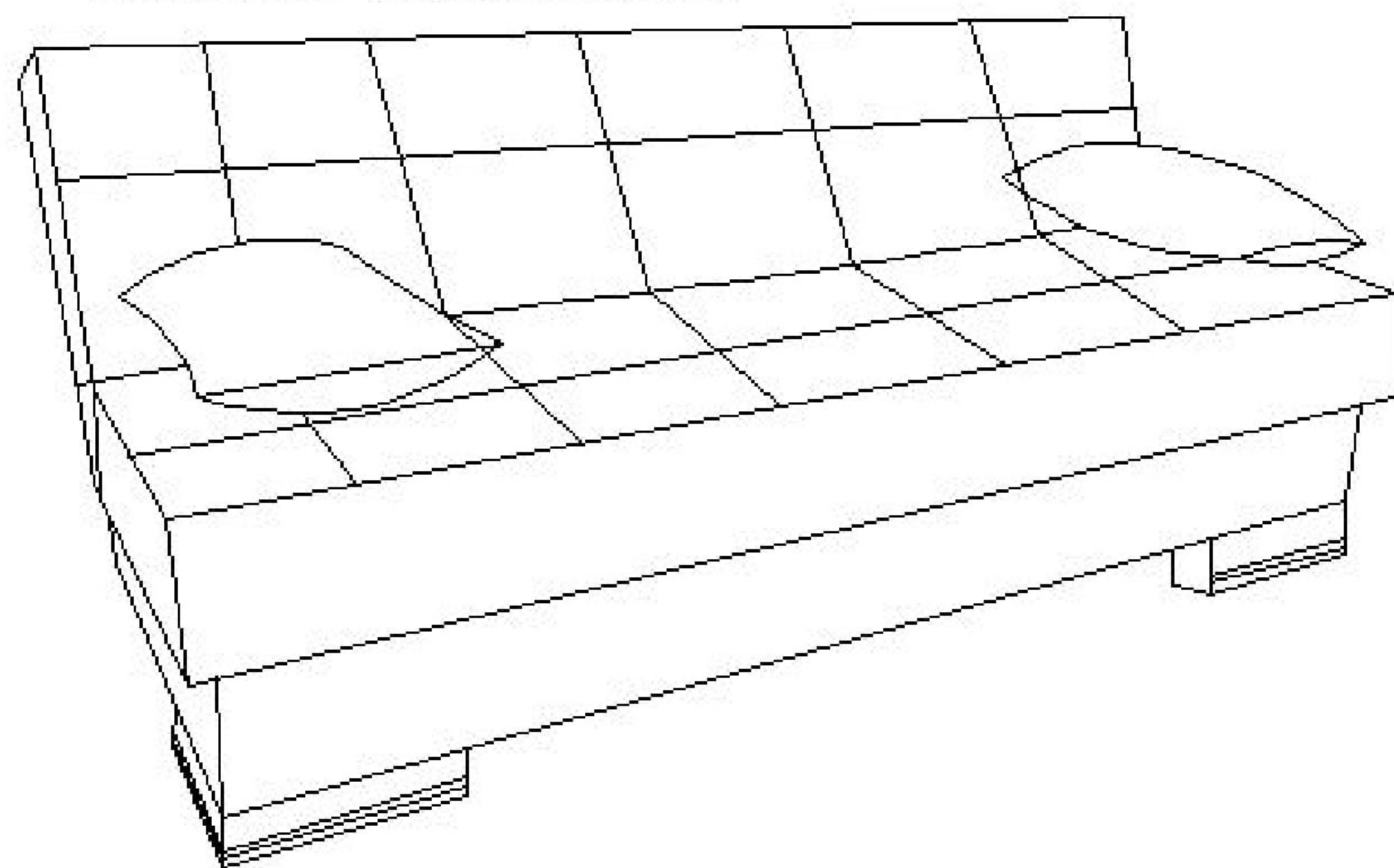












ASSEMBLY INSTRUCTIONS



HARDWARE PACKAGE CONTENT

-   LEG (4)
-   SUPPORTLEG (1)
-   SCREW (12)
-   STUD (4)
-   WINGNUT (4)