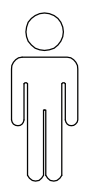
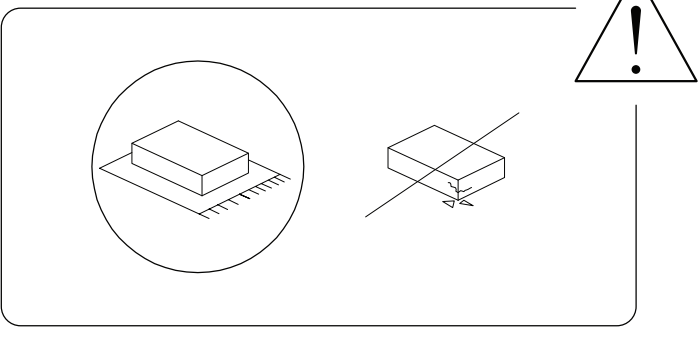
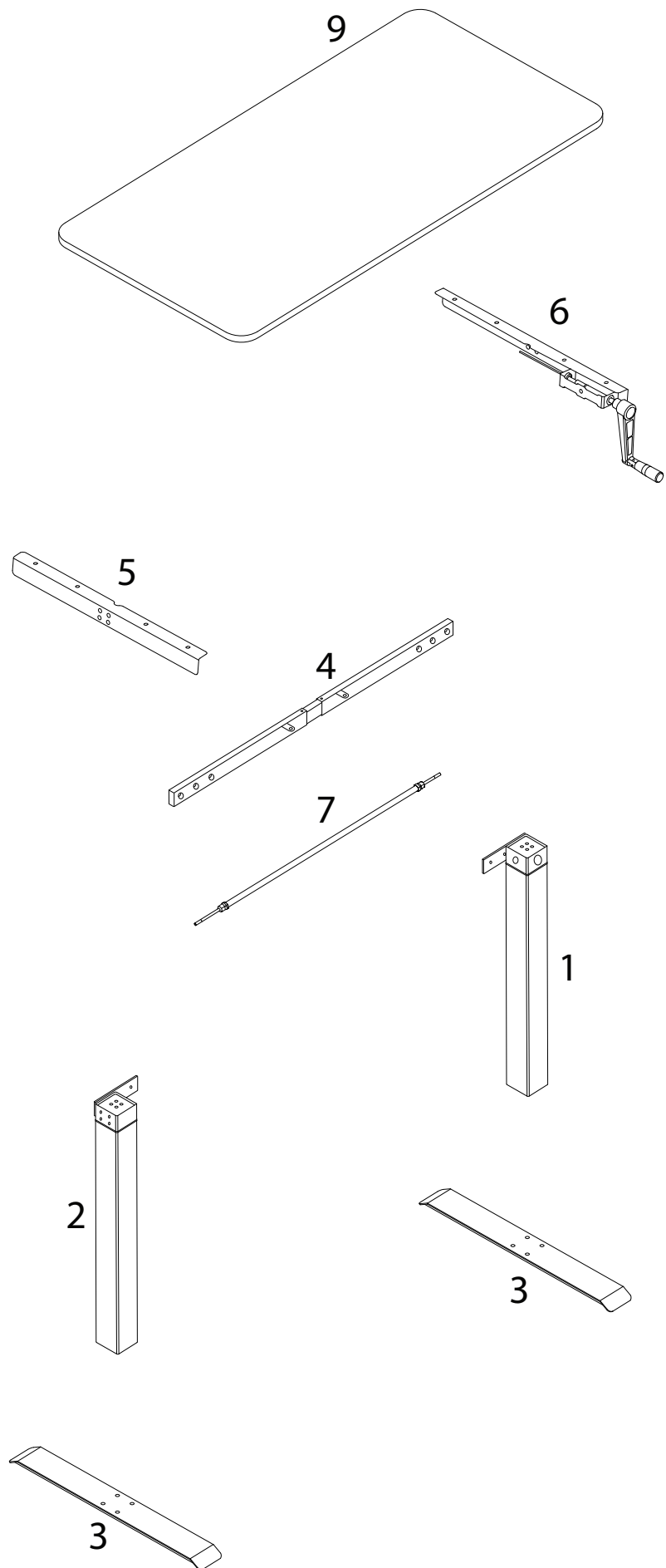
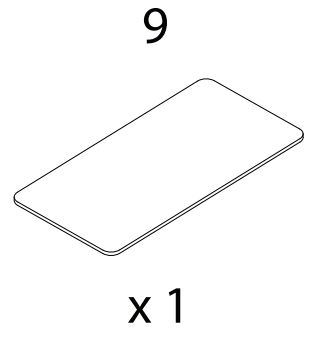
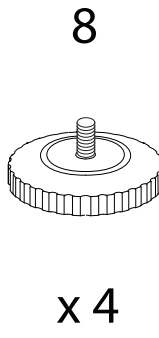
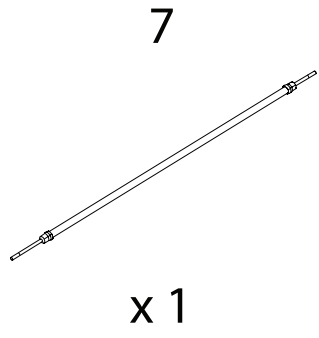
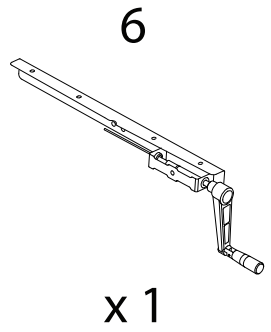
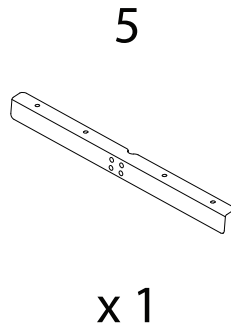
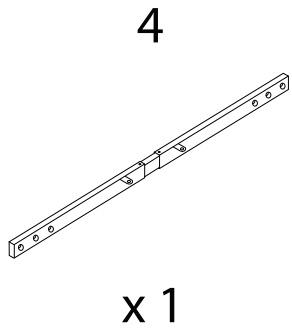
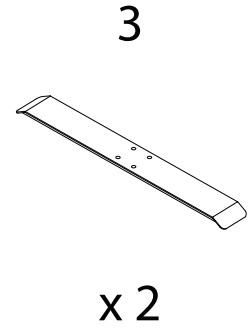
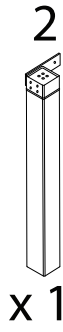
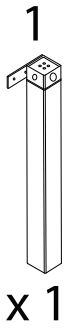


50'

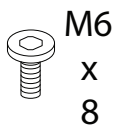


2



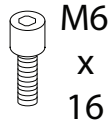


A



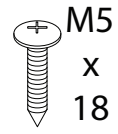
x 8

B



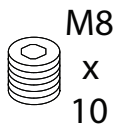
x 8

C



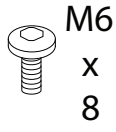
x 10

D



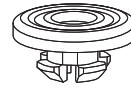
x 4

E



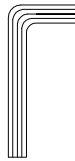
x 6

F



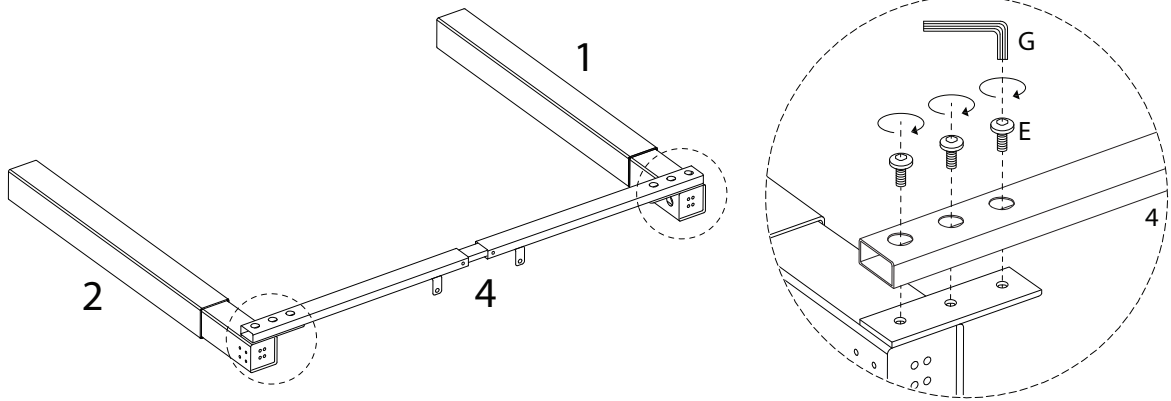
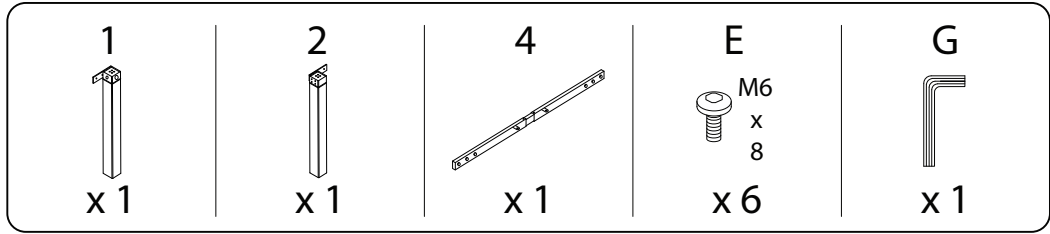
x 10

G

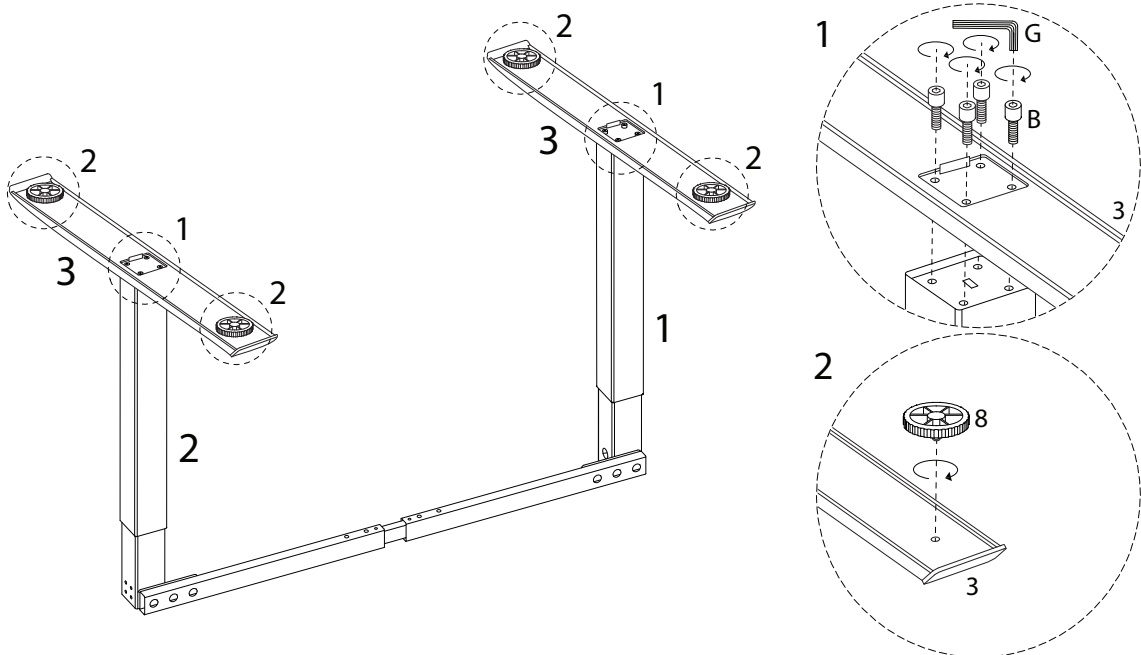
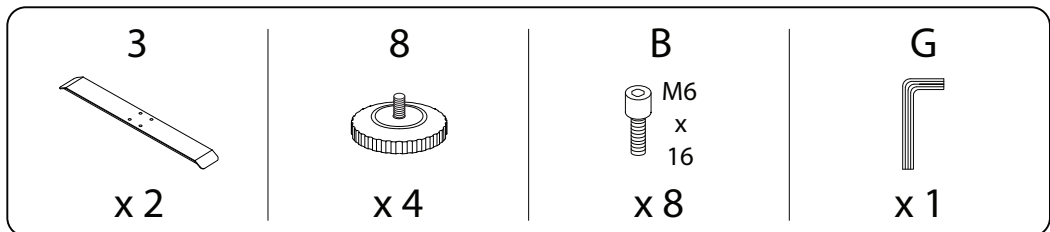


x 1

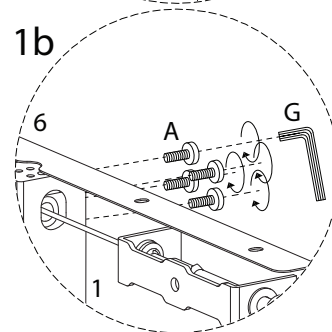
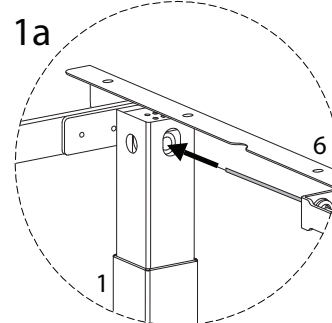
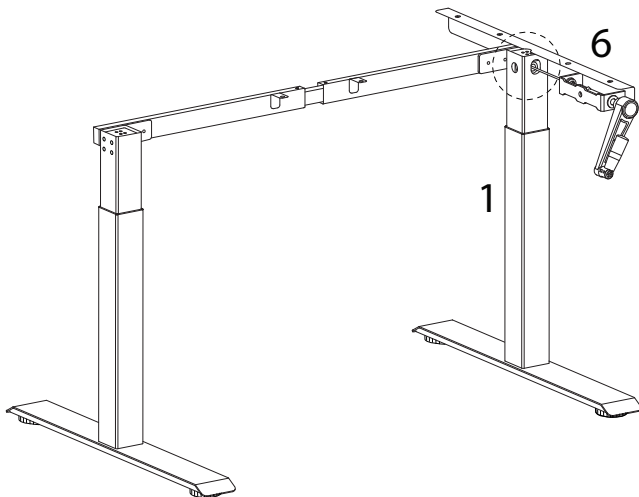
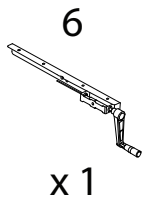
1



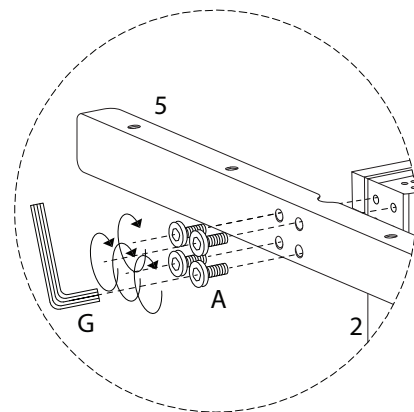
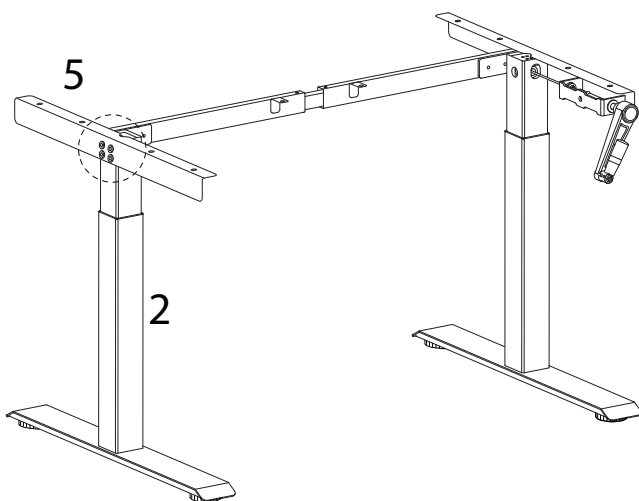
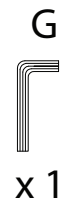
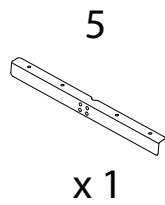
2



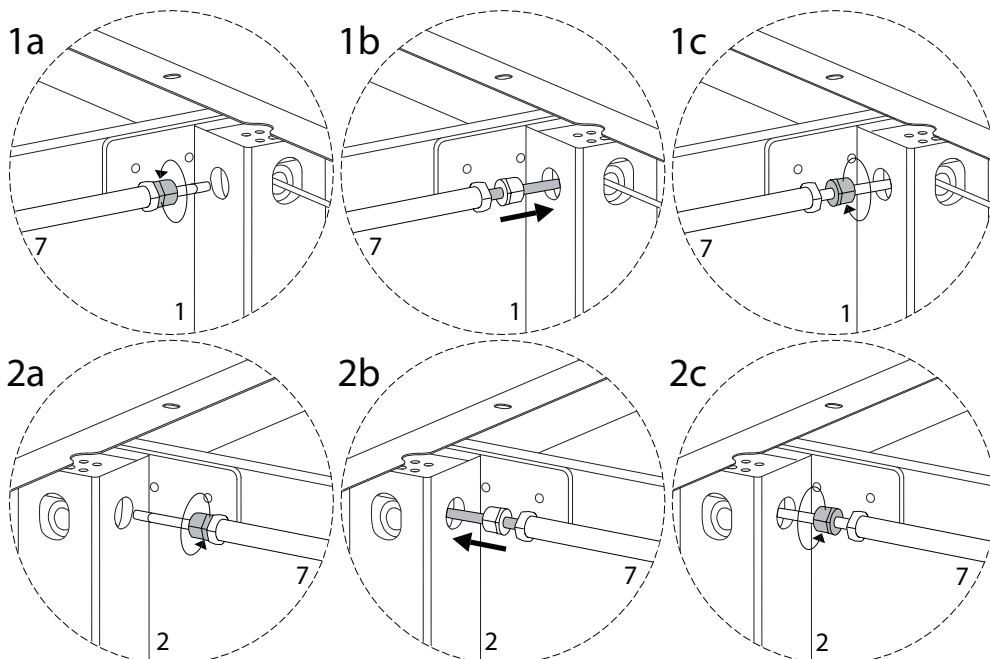
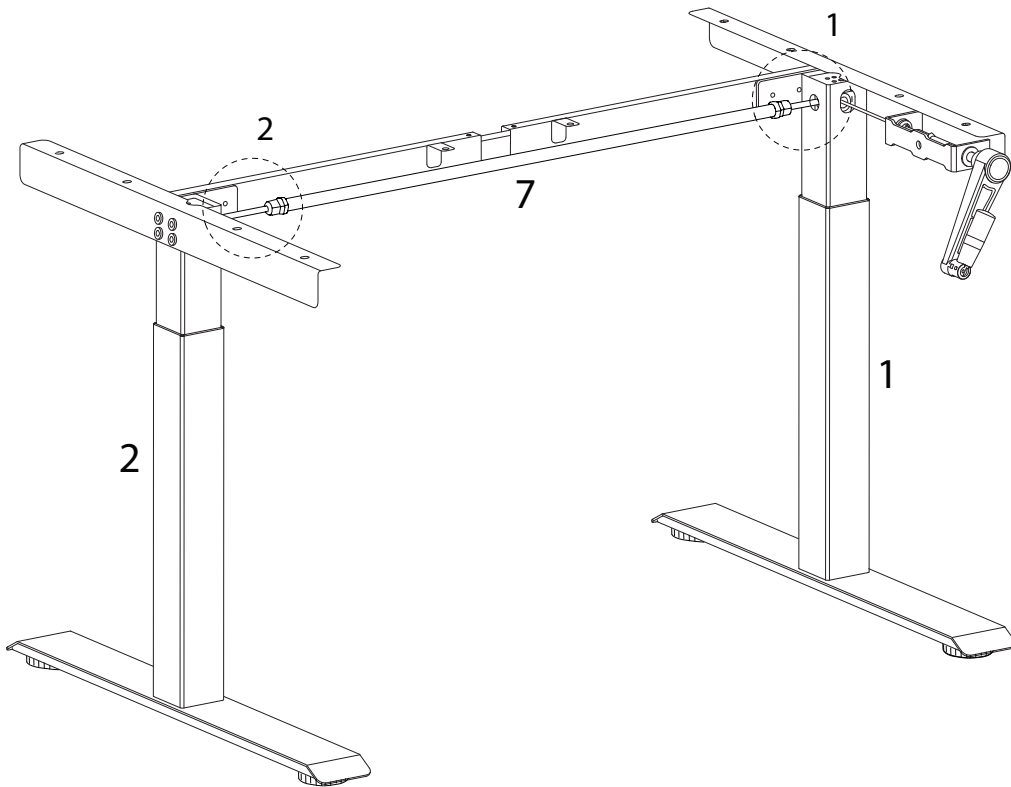
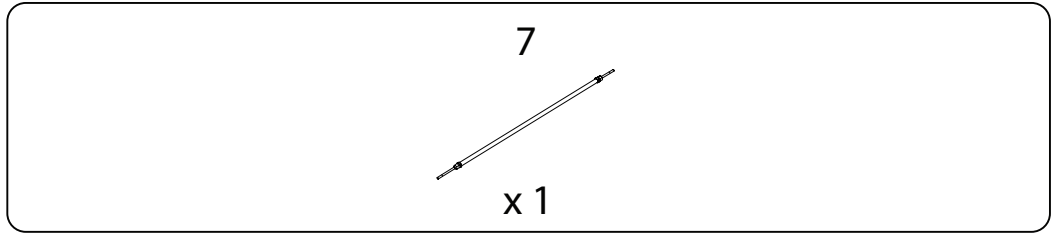
3



4



5

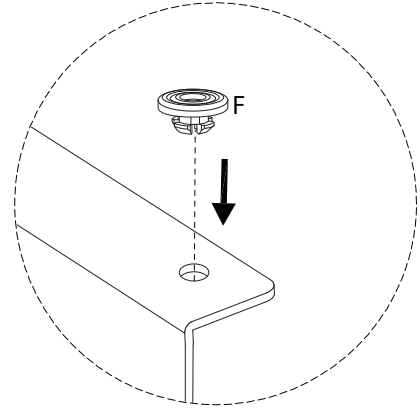
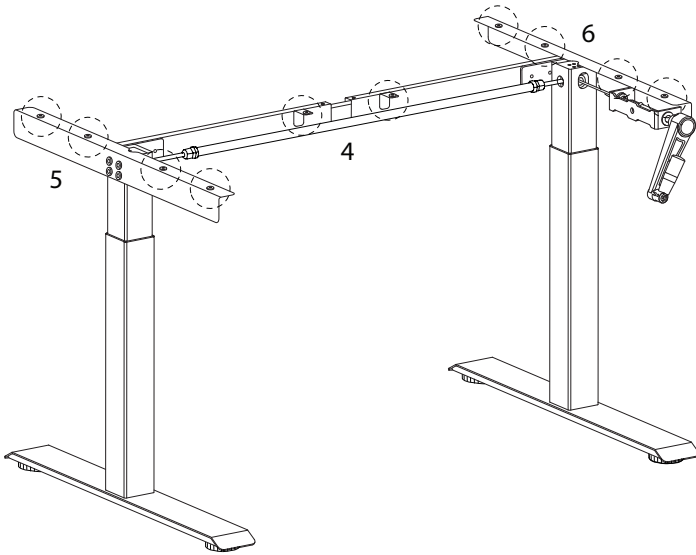


6

F

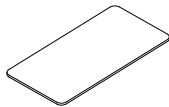


x 10



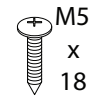
7

9

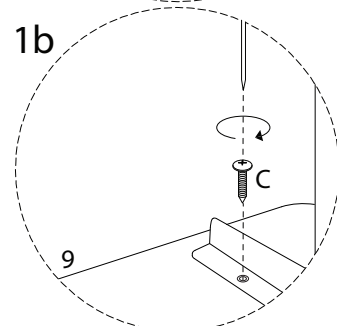
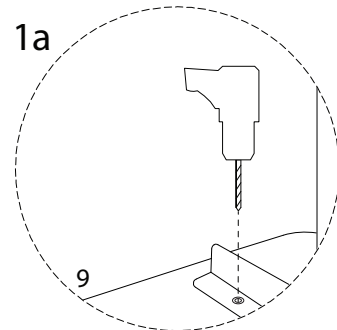
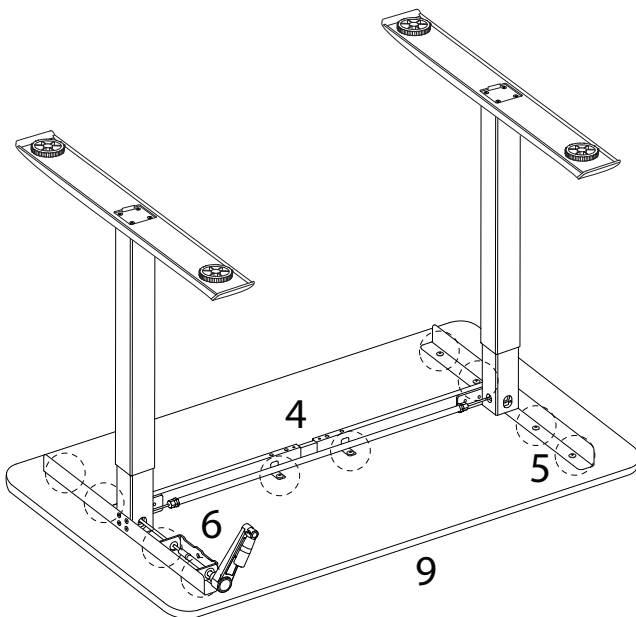


x 1

C



x 10



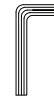
8

D

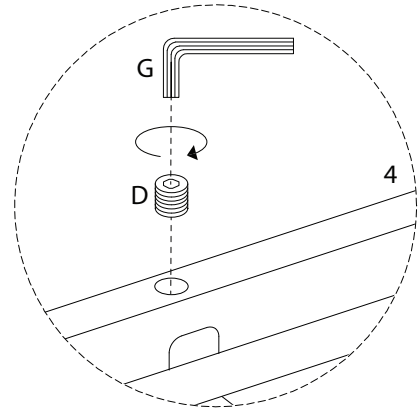
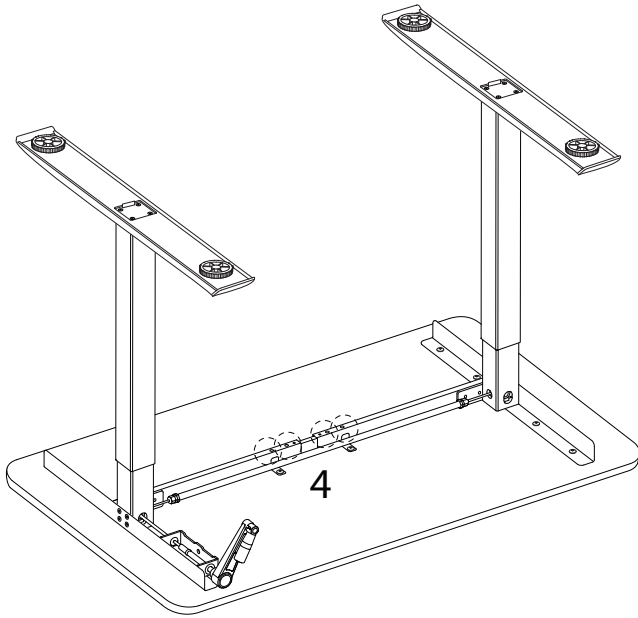


x 4

G



x 1



!

