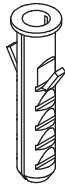


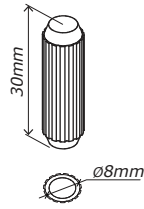
H204
x2



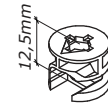
H18
x2



V15
x2



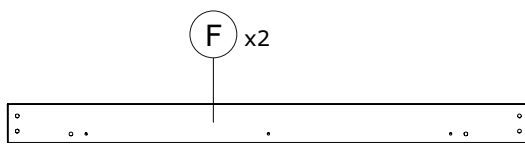
H1
x16



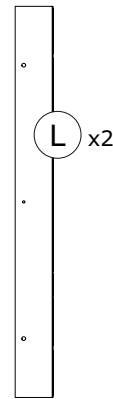
T7
x8



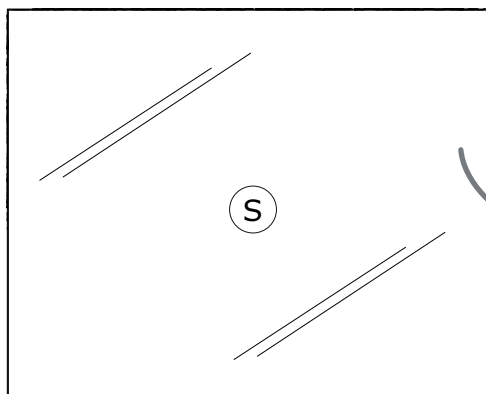
T28
x8



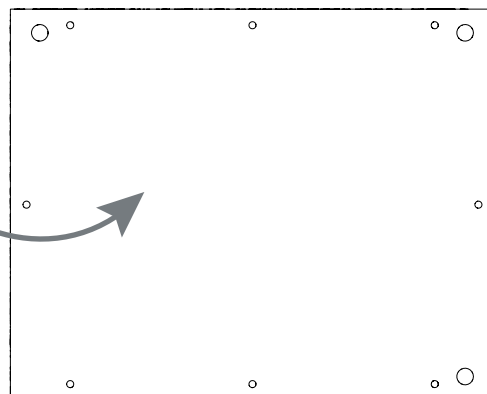
FS3868
901x62x38mm

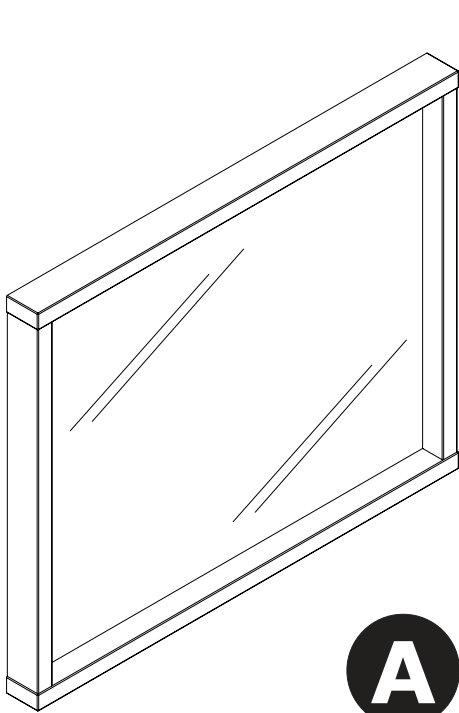
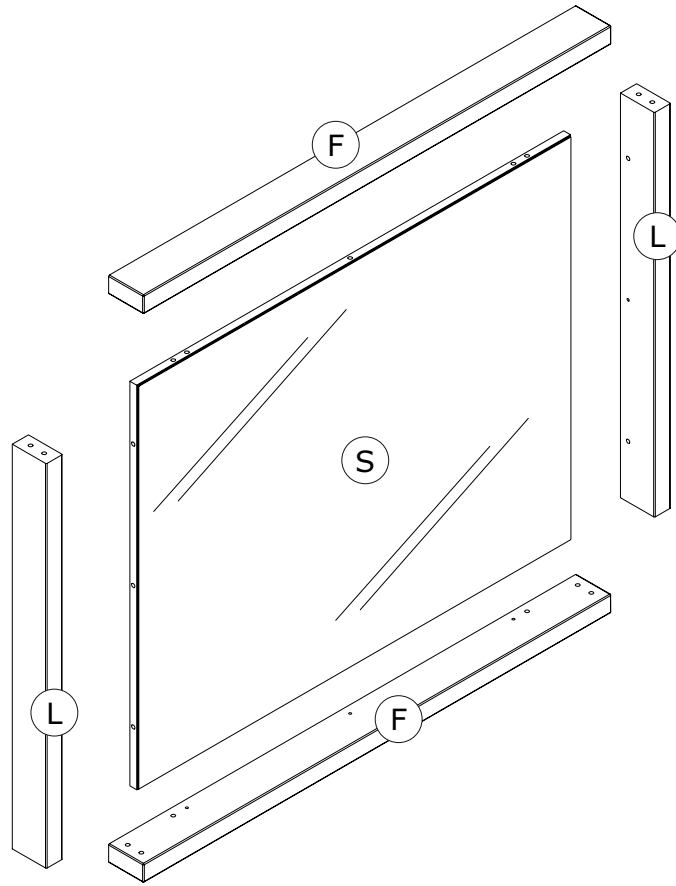


FS3869
524x60x38mm

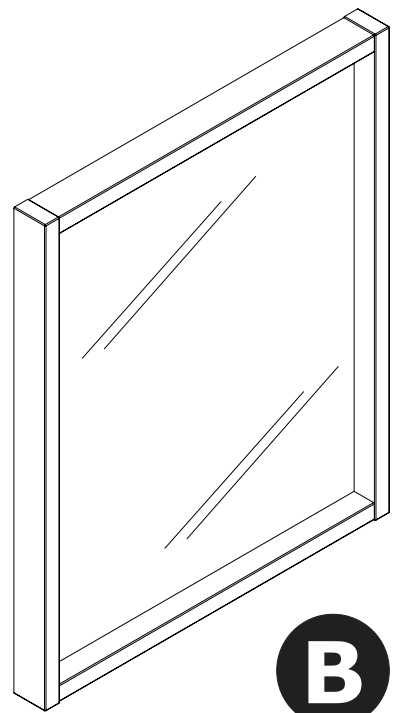


SH3273
821x524x21mm



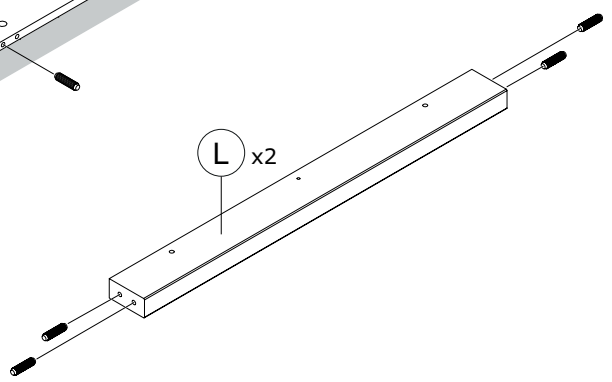
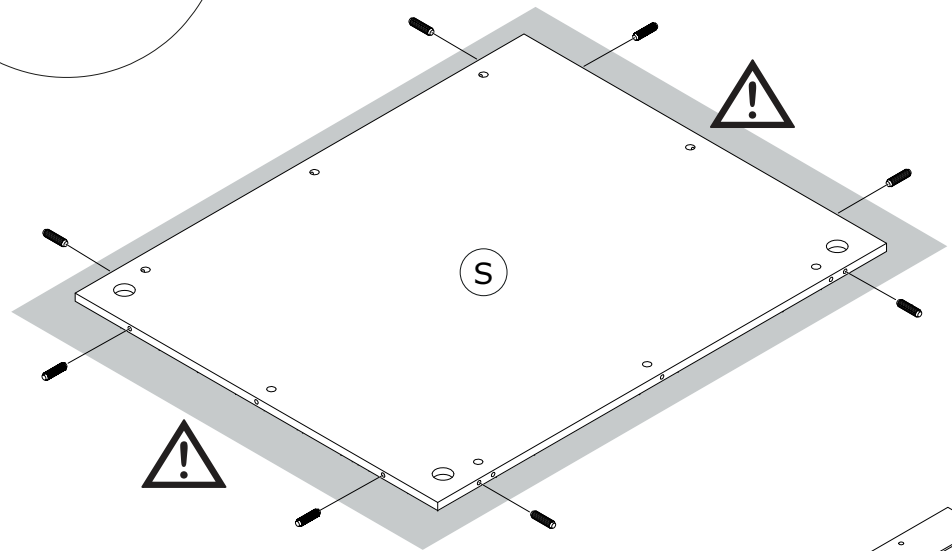
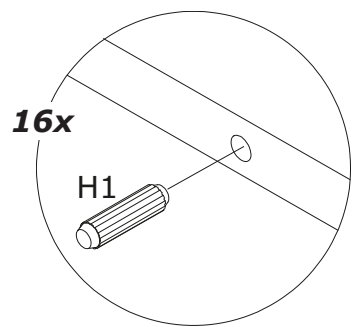
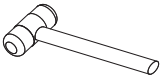


A

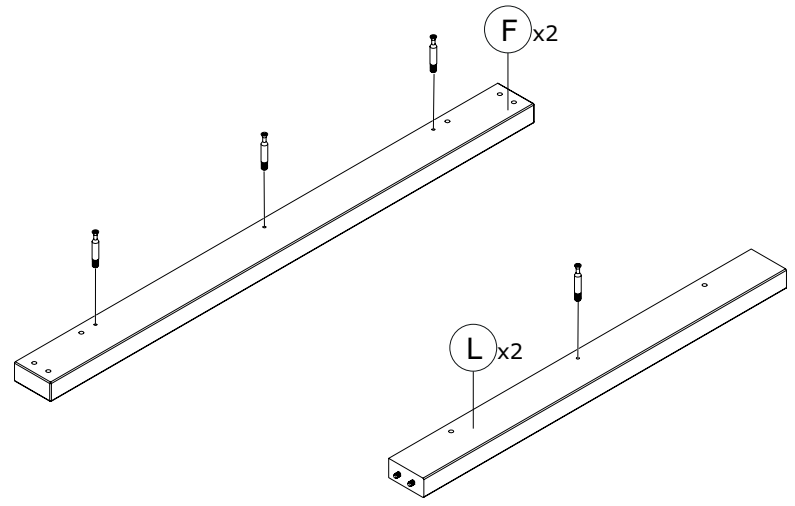
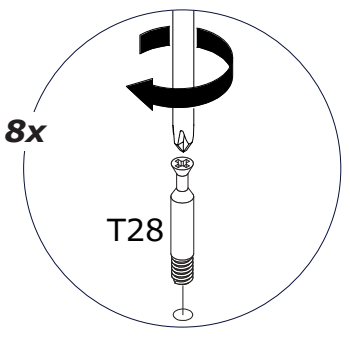
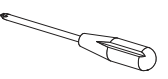


B

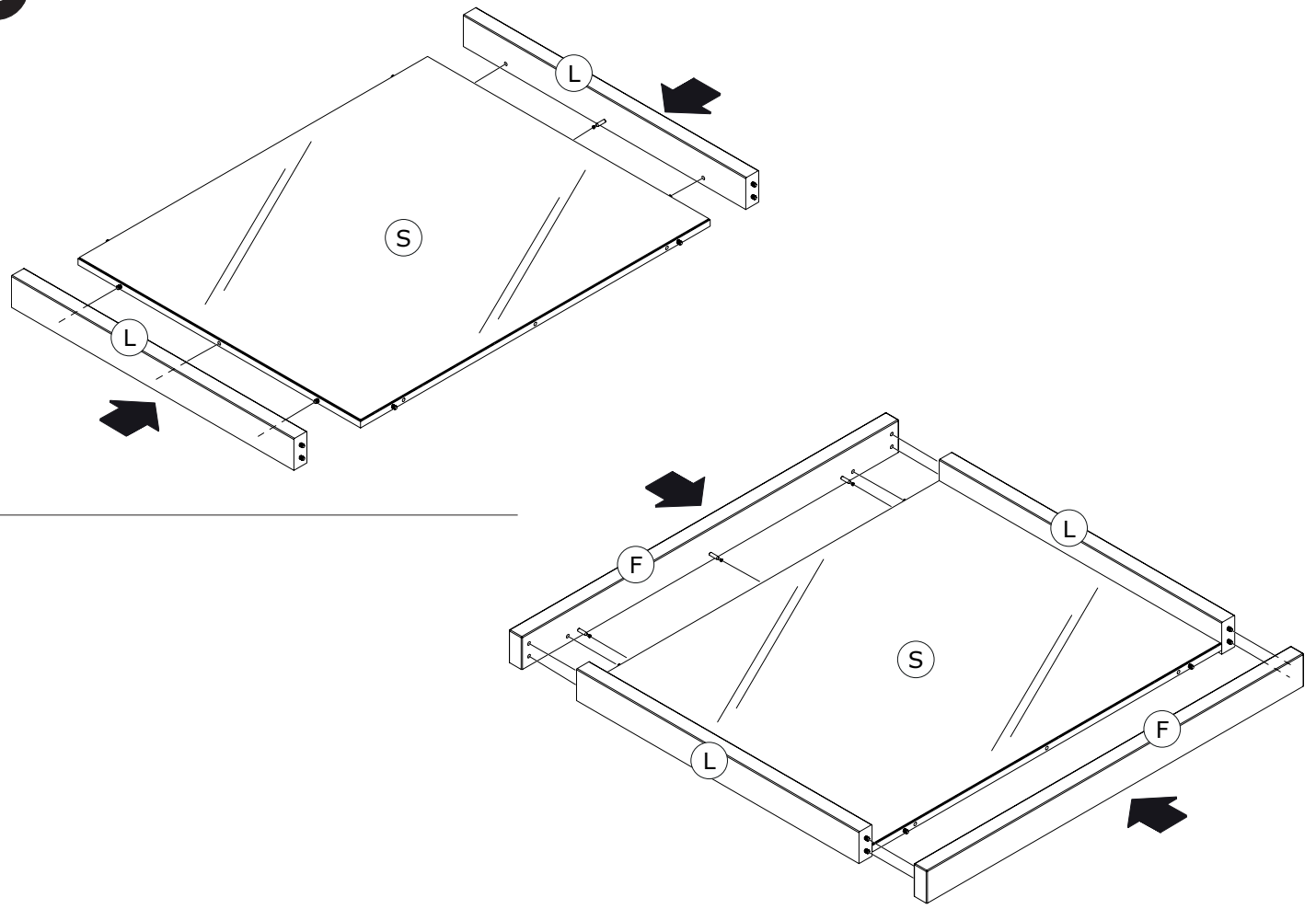
1



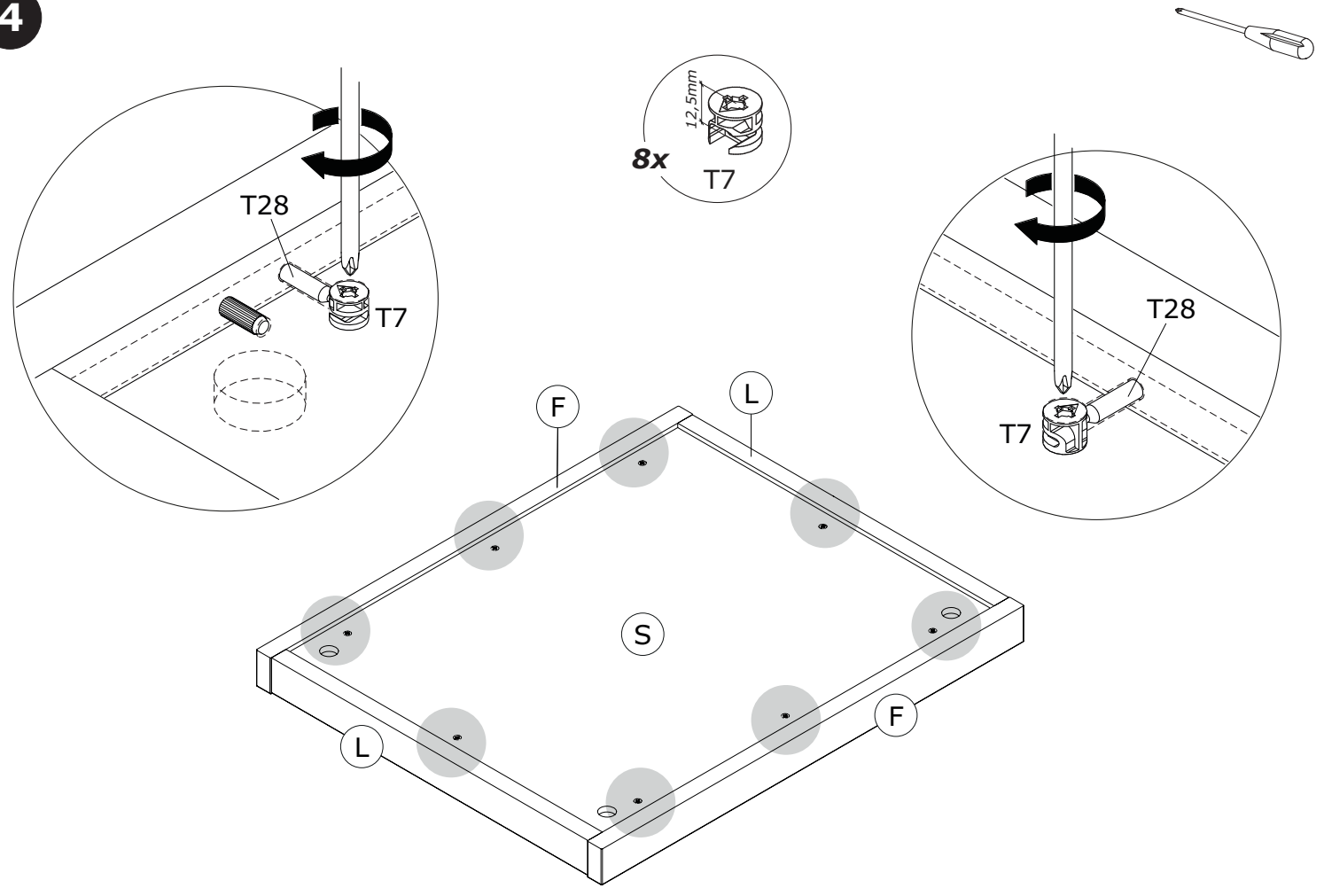
2

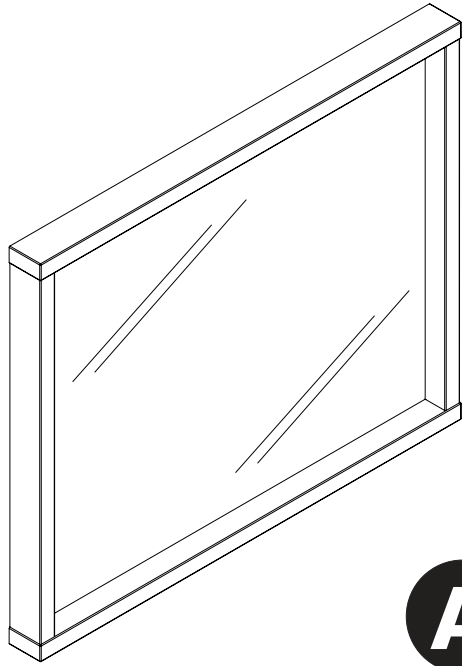


3

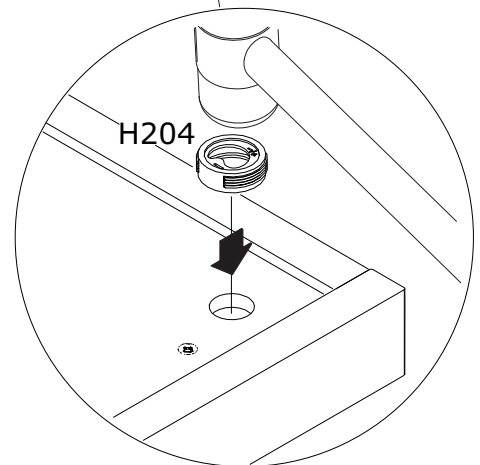
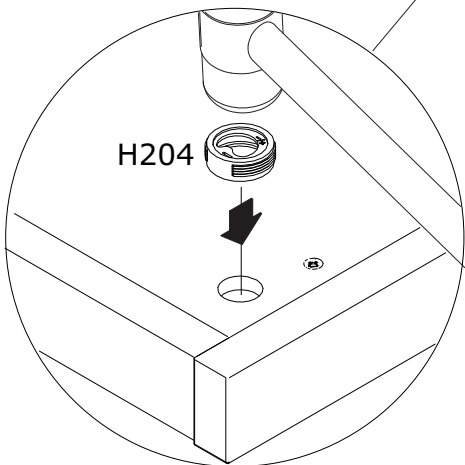
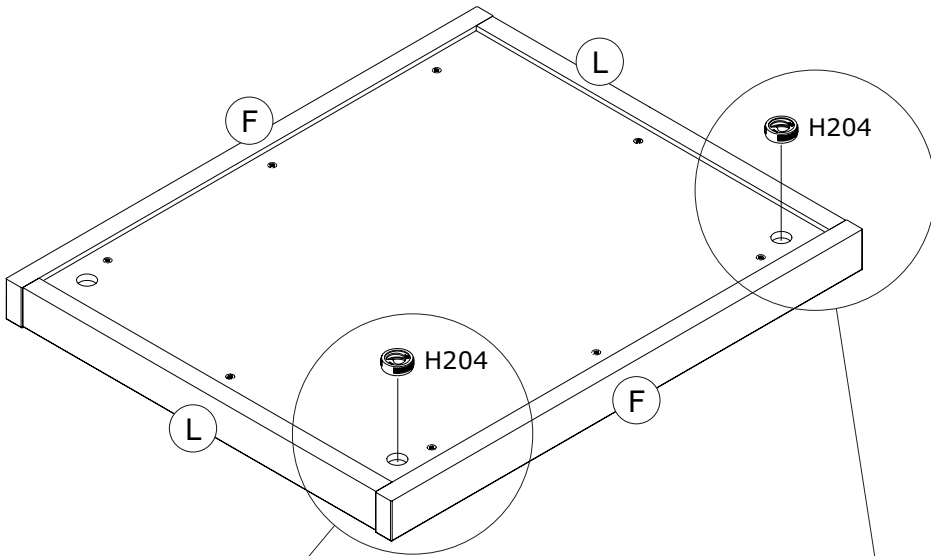
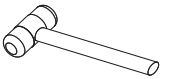


4



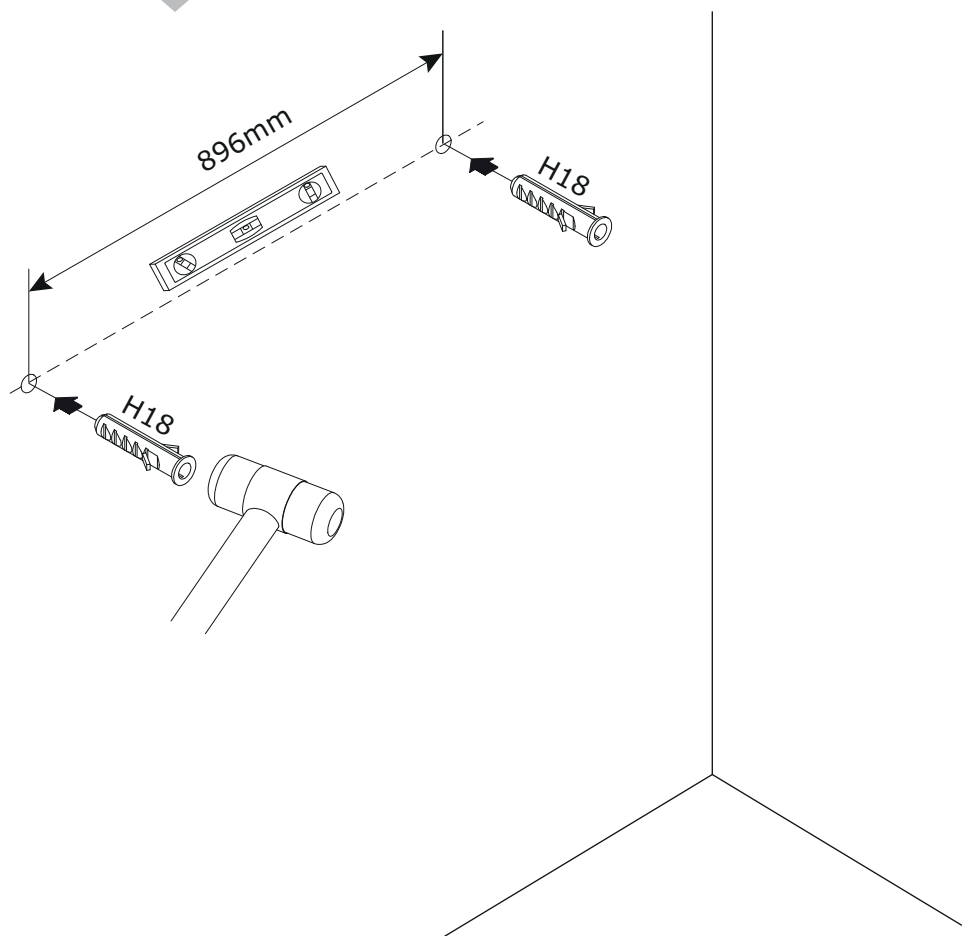
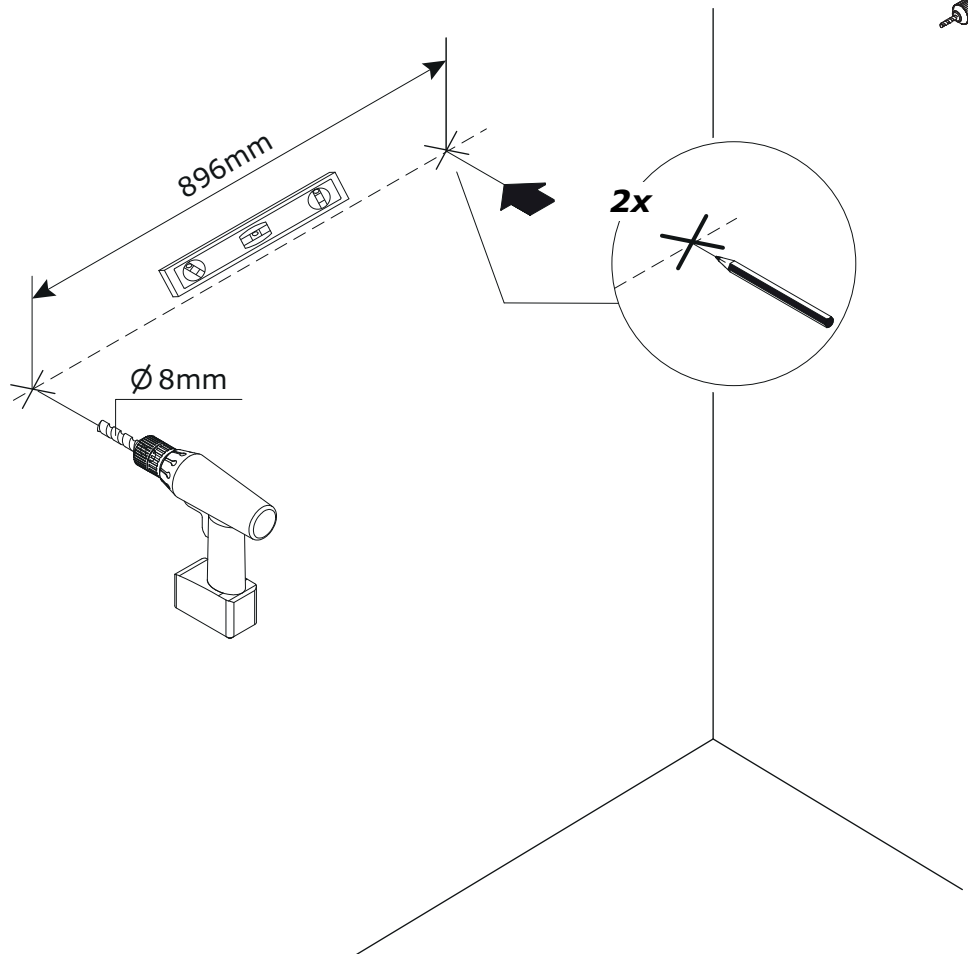
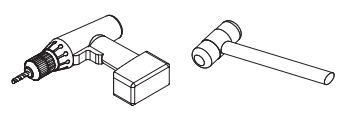


5



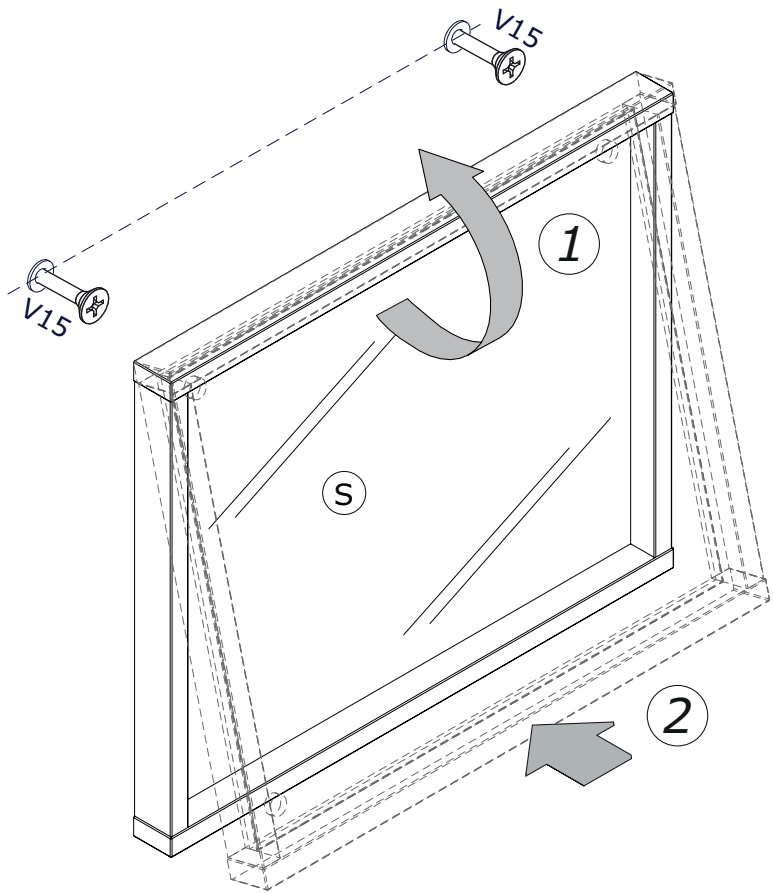
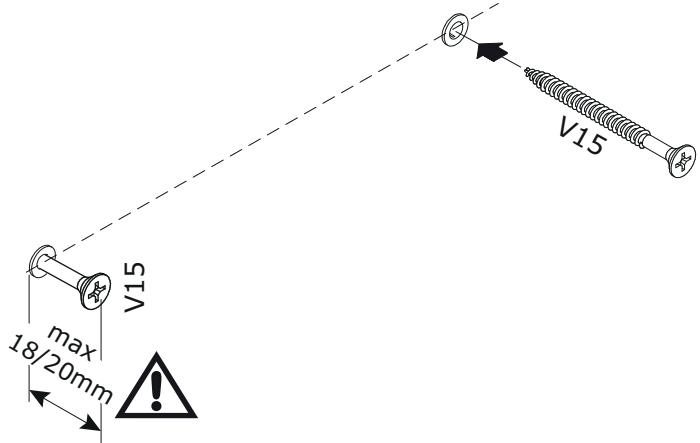
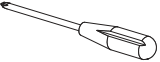
6

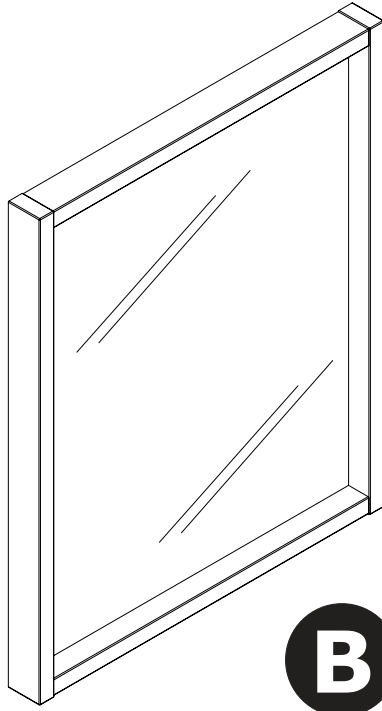
A



7

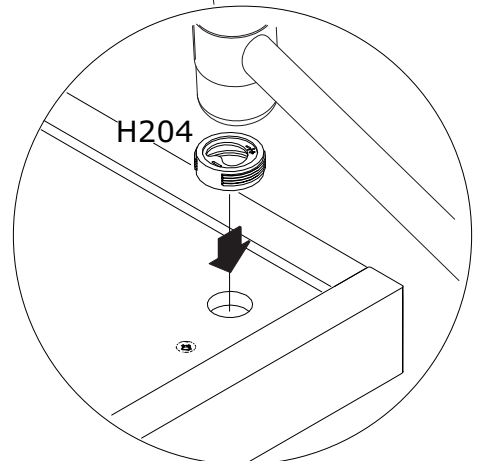
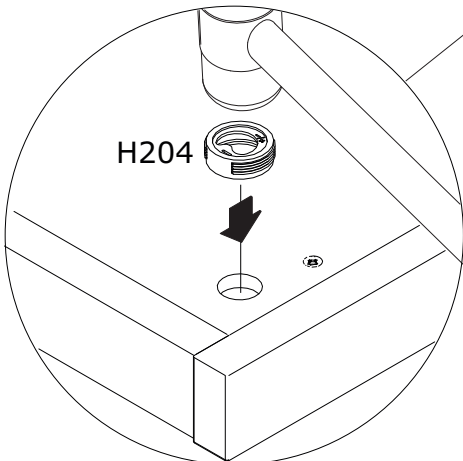
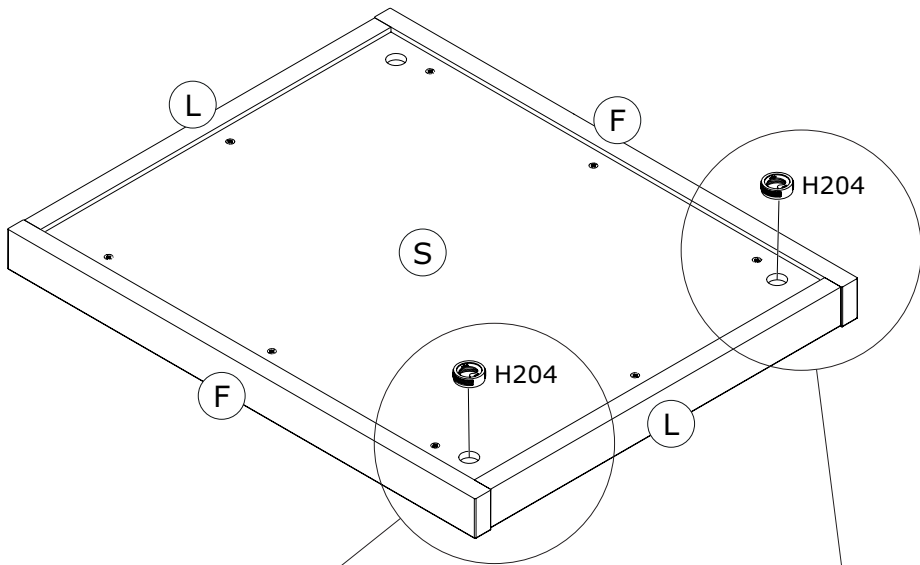
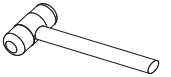
A





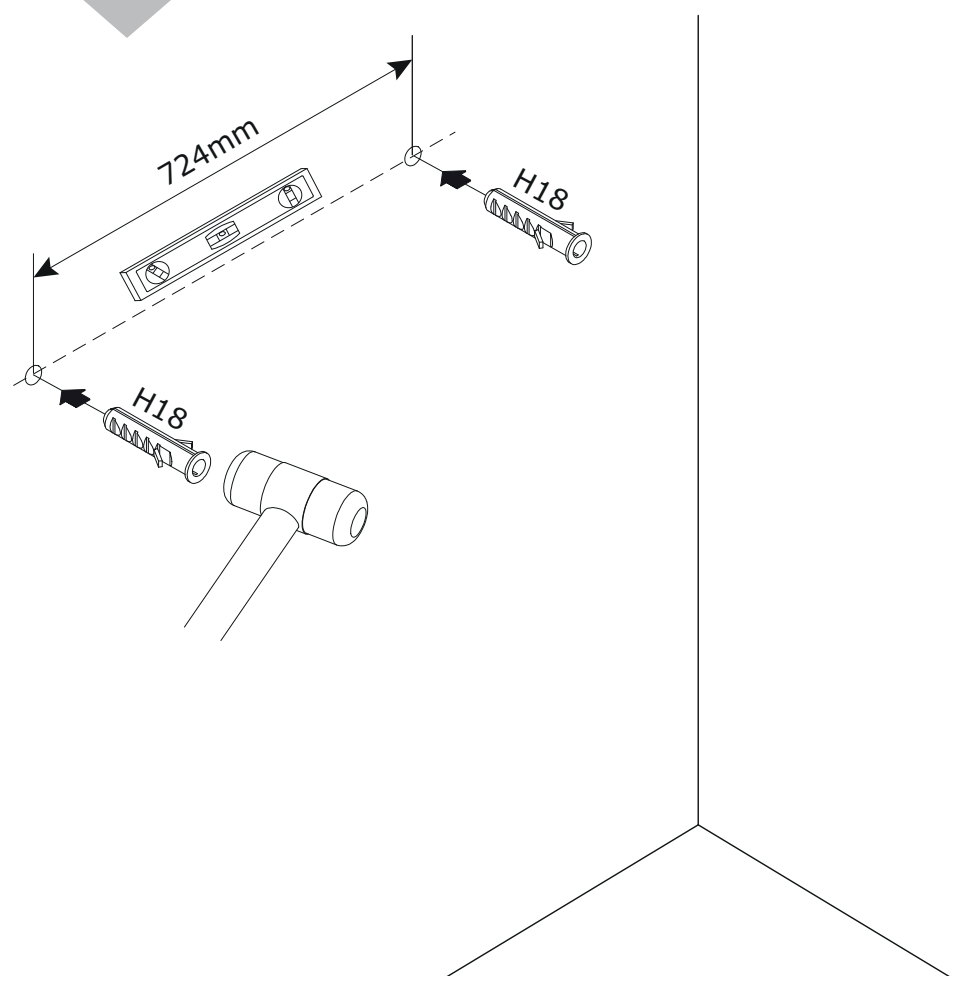
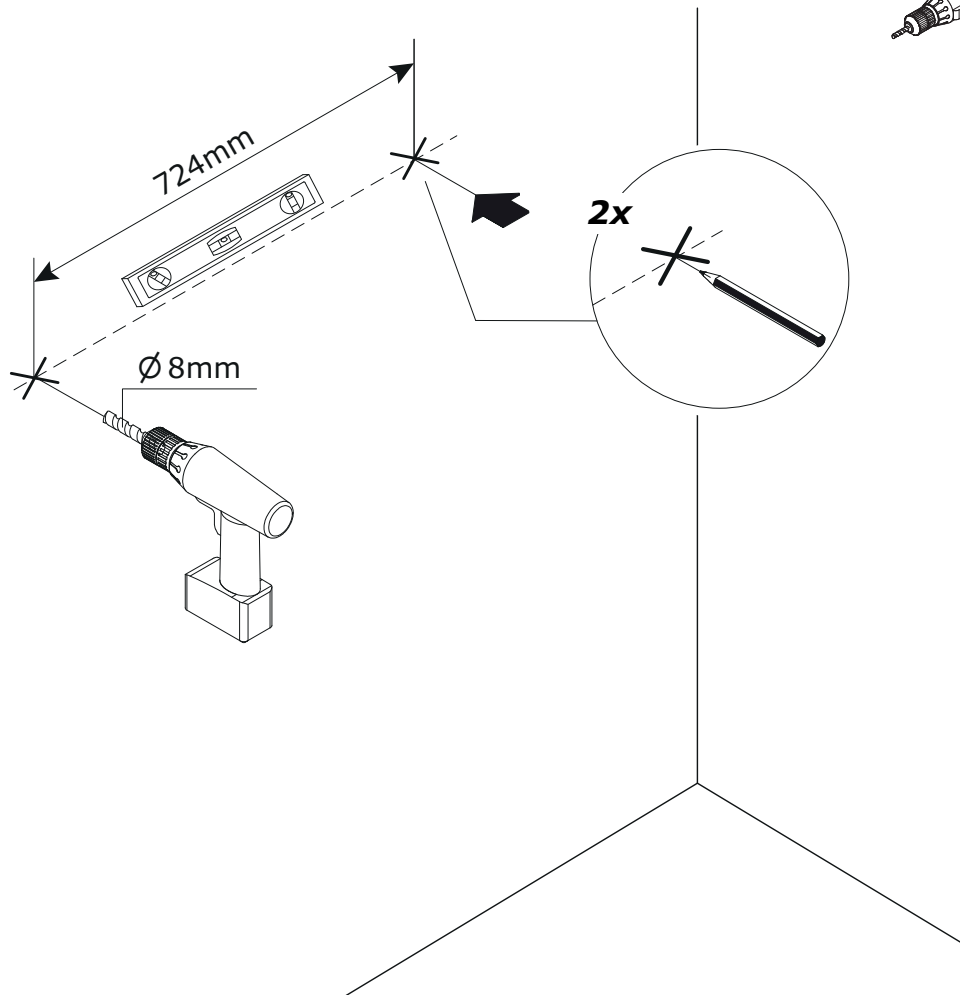
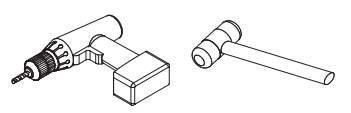
B

8

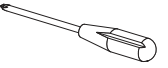


9

B



10



B

