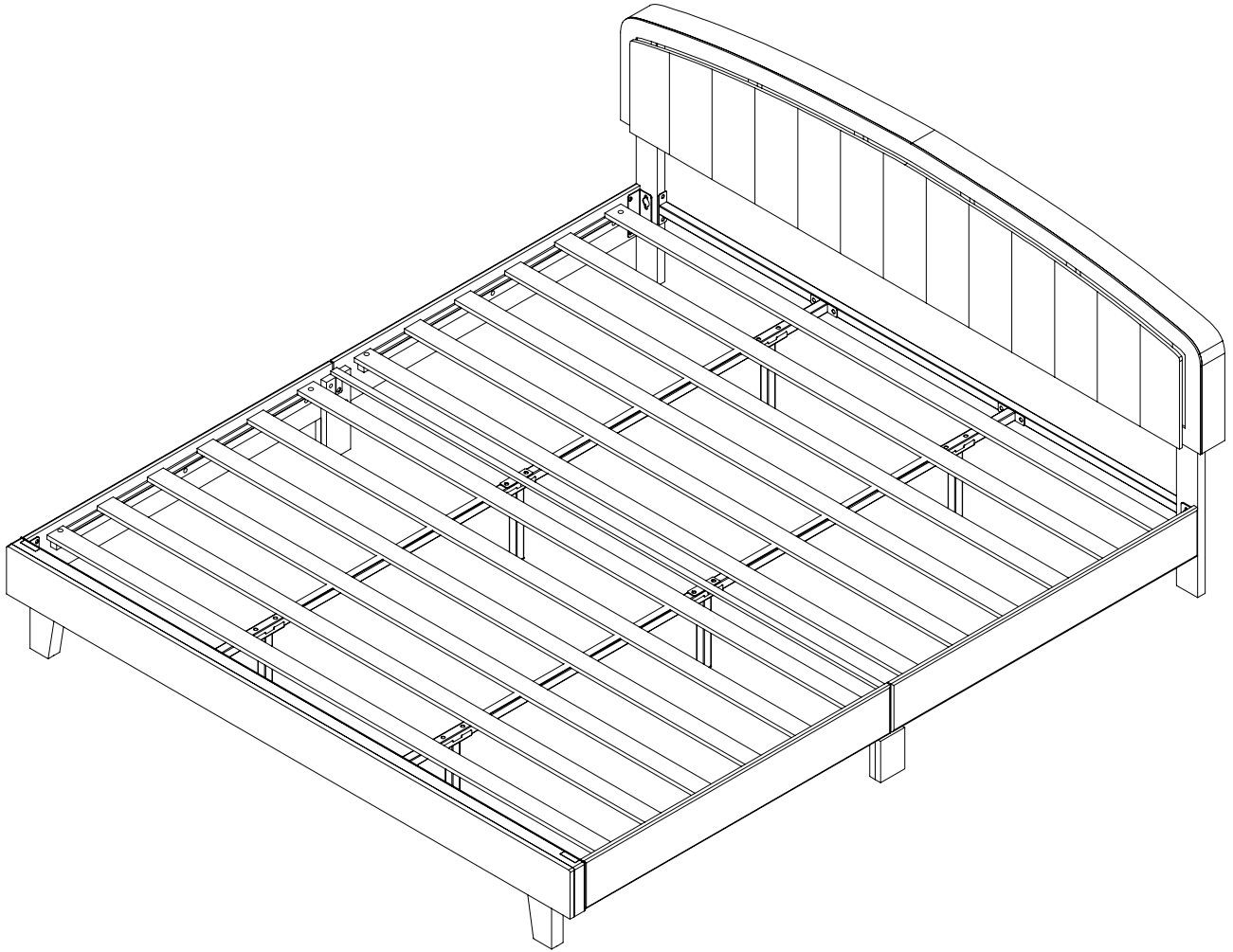


# ASSEMBLY INSTRUCTION



## Dear Customer:

Thank you for purchasing our products, please contact us if you have difficulty with assembly or need replacement parts. Our customer service is here to assist you.

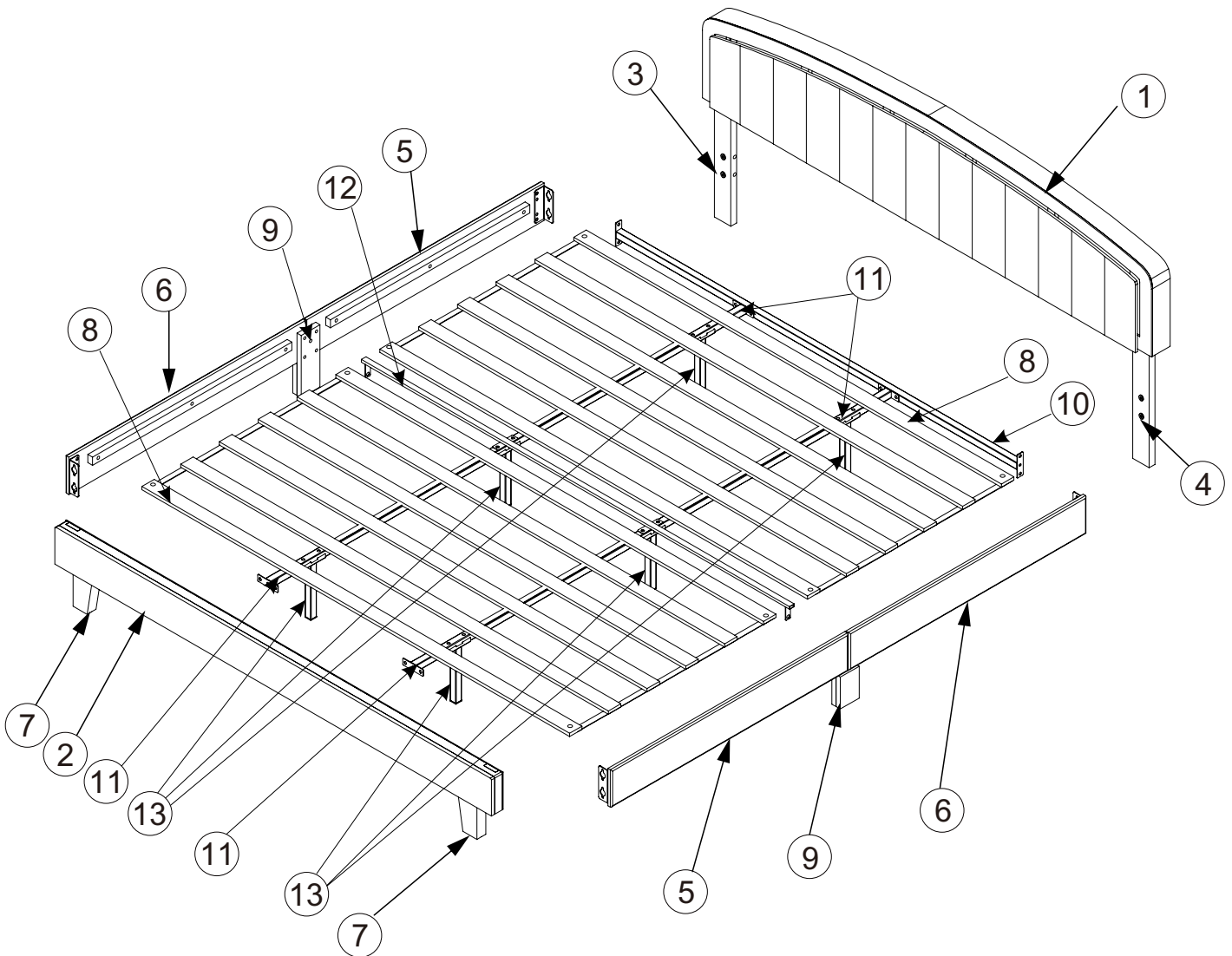
-Please keep these instructions for future reference. Before assembly, remove all parts from the carton and be sure to include all components.

-Please read each step carefully. Each step in the instructions must be performed in the correct order. Failure to perform these steps in order will result in assembly difficulties.

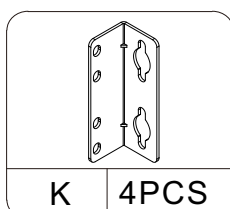
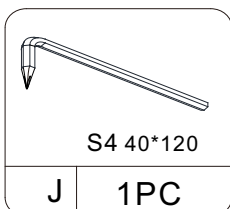
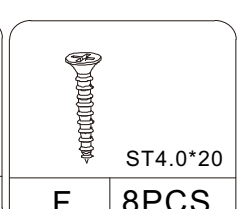
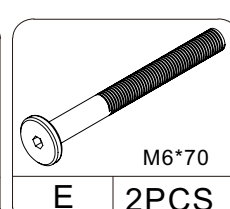
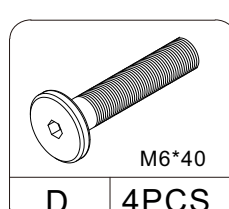
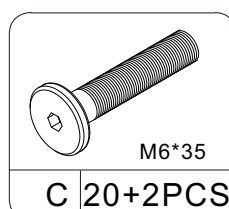
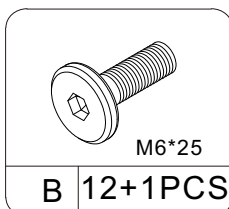
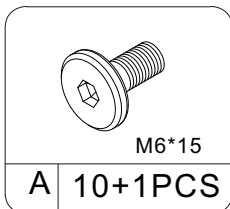
-Assemble the bed on a protected surface to avoid scratching the bed components. Do not use cross-thread screws. Please use a piece of cardboard packaging to protect your floor and product. Two people are recommended for assembly!

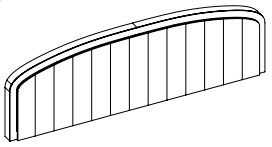
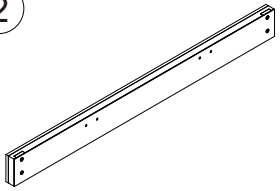


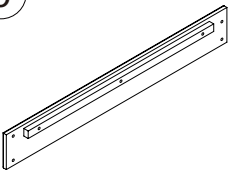
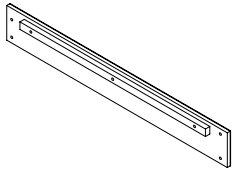

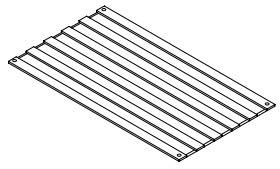
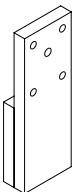
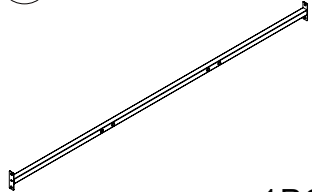
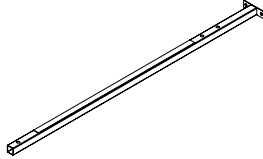
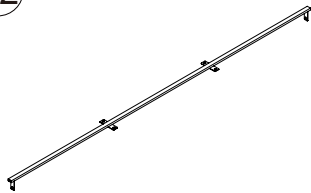
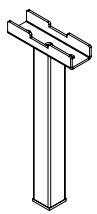


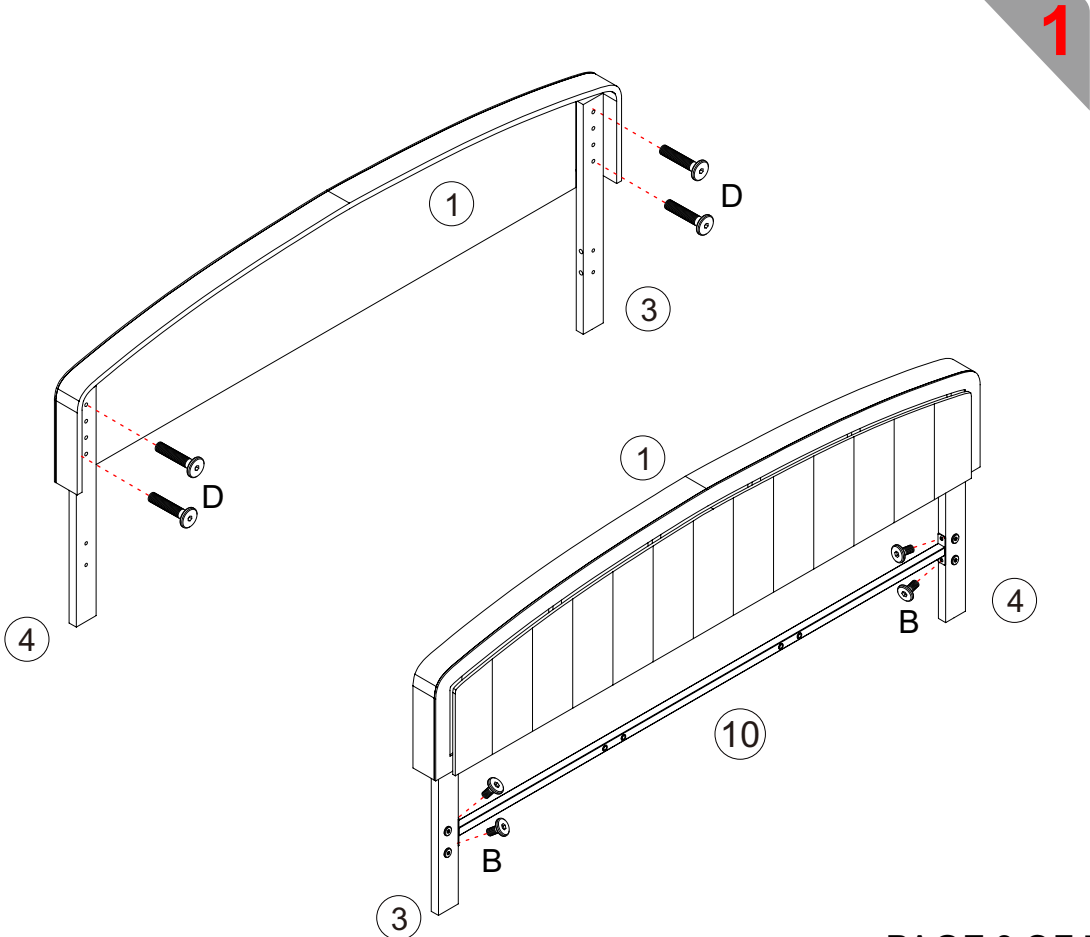
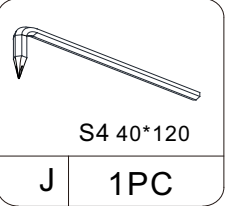
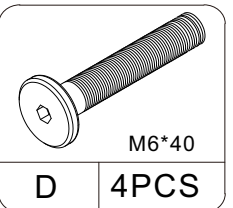
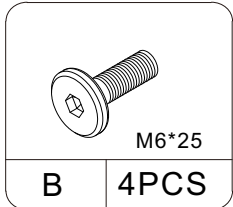
Please make sure all the accessories are complete!

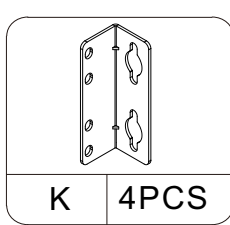
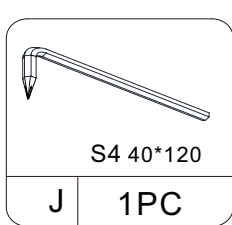
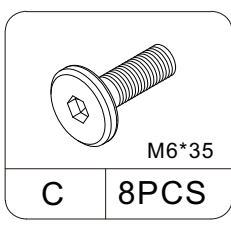
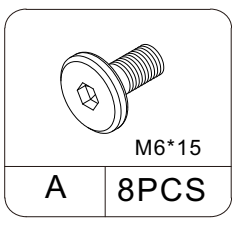
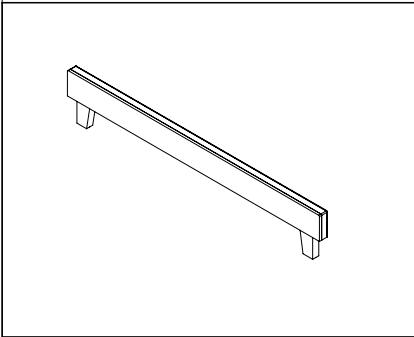
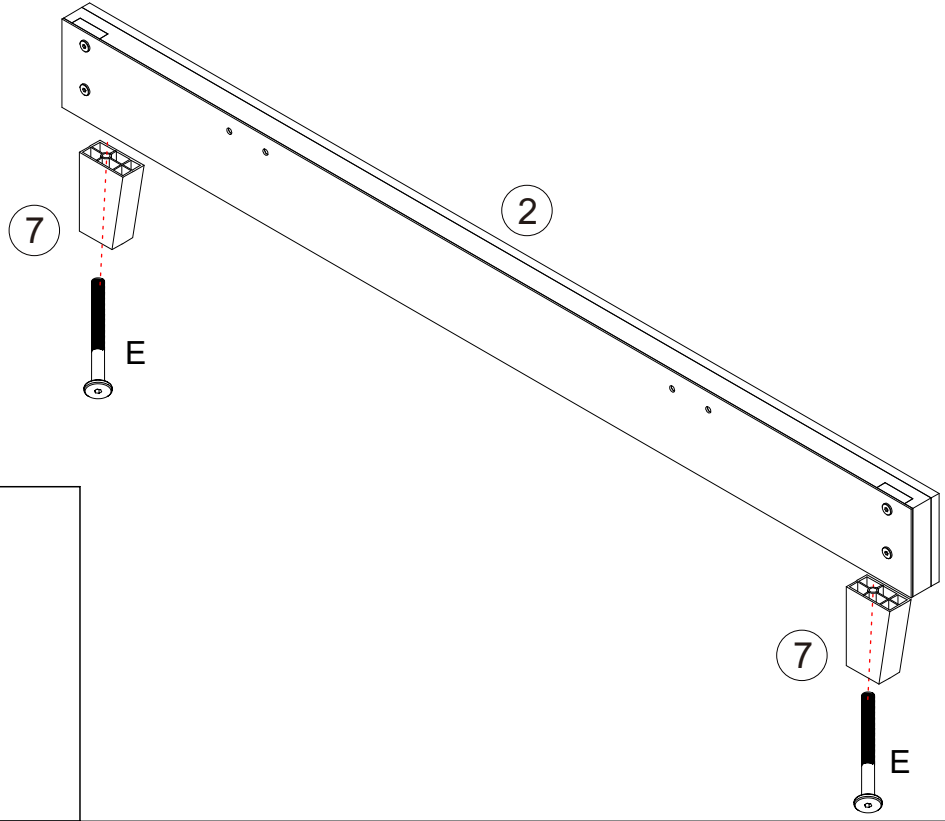
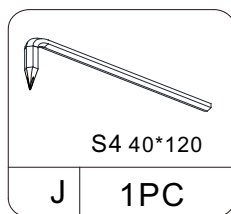
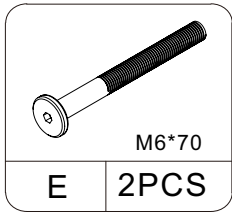


## HARDWARE

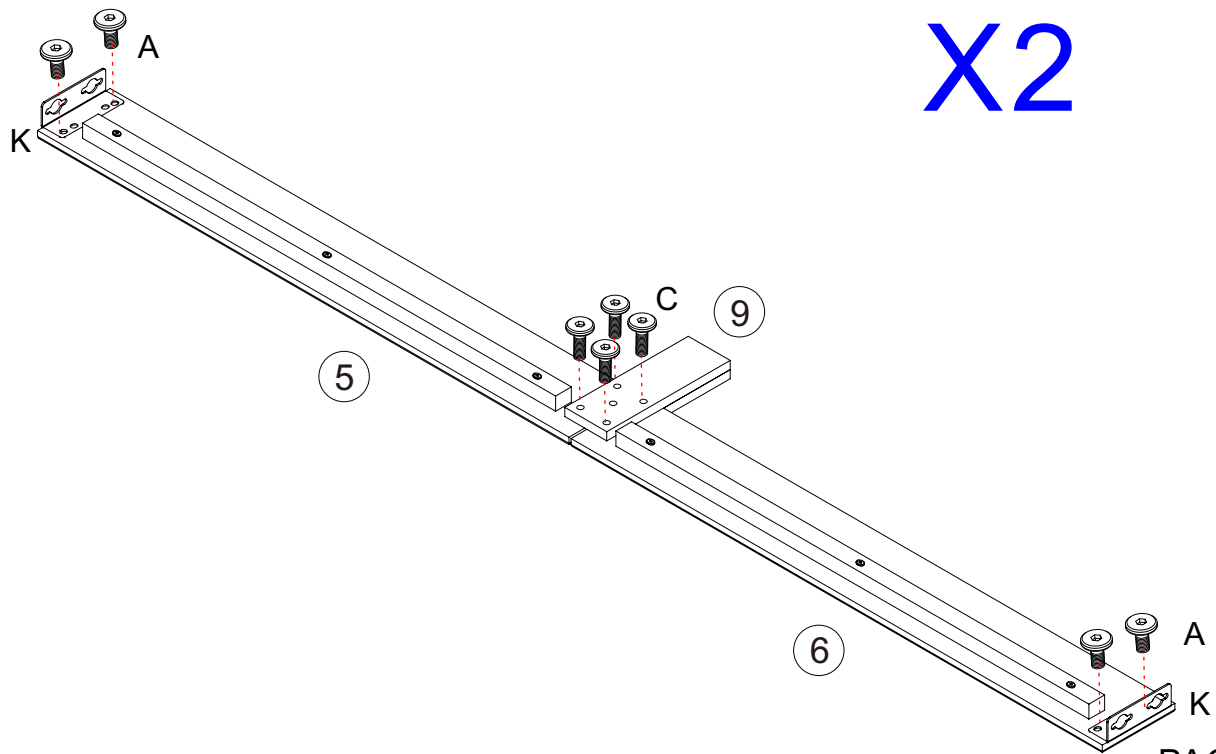


 <b>1</b> 1PC	 <b>2</b> 1PC	 <b>3</b> 1PC	 <b>4</b> 1PC
 <b>5</b> 2PCS	 <b>6</b> 2PCS	 <b>7</b> 2PCS	 <b>8</b> 2PCS
 <b>9</b> 2PCS	 <b>10</b> 1PC	 <b>11</b> 4PCS	 <b>12</b> 1PC
 <b>13</b> 6PCS			





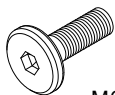
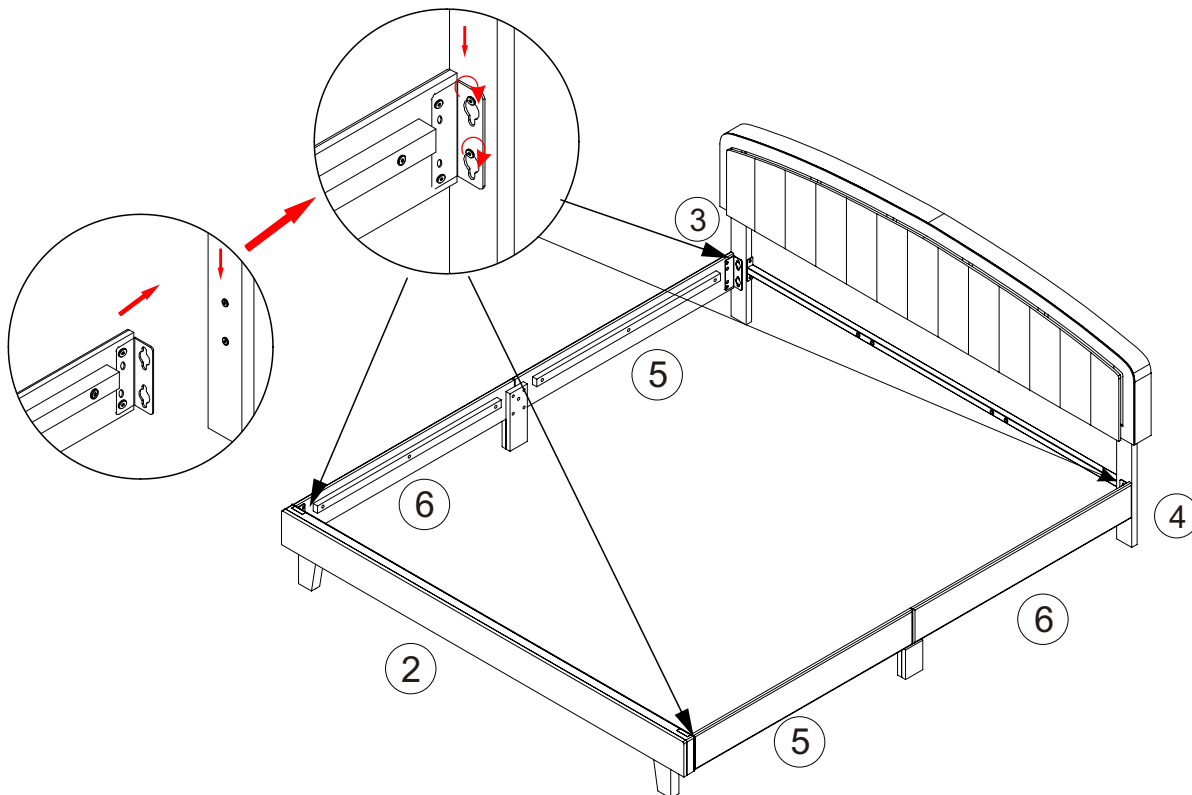
X2





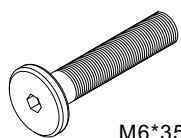
S4 40\*120

J 1PC



M6\*25

B 8PCS



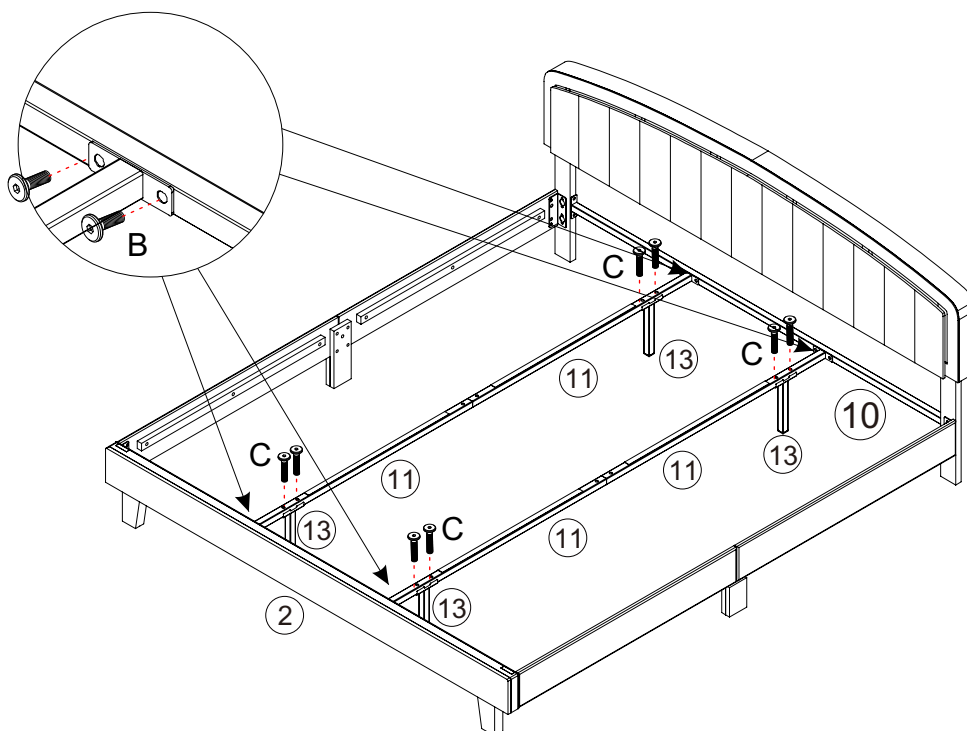
M6\*35

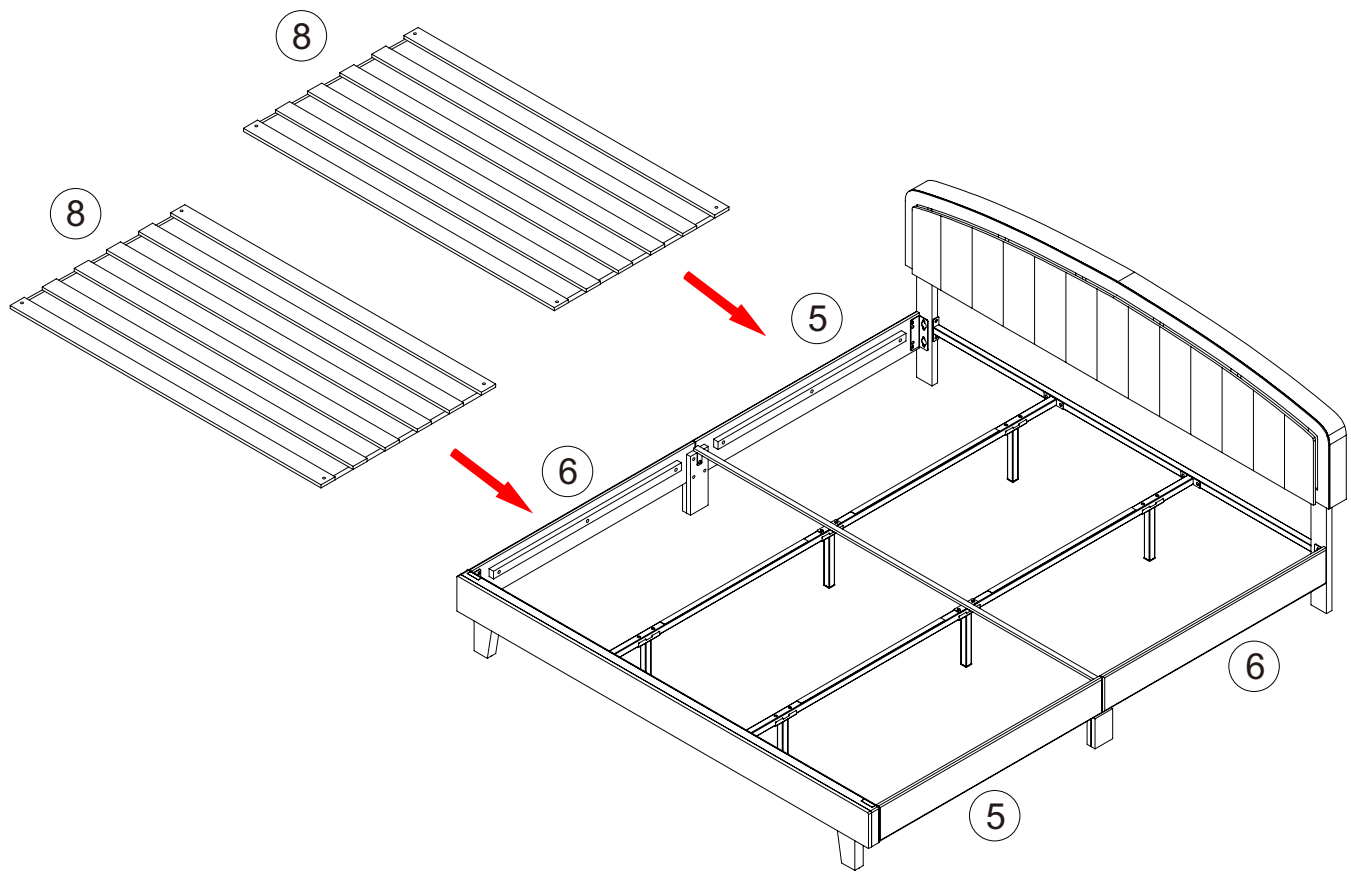
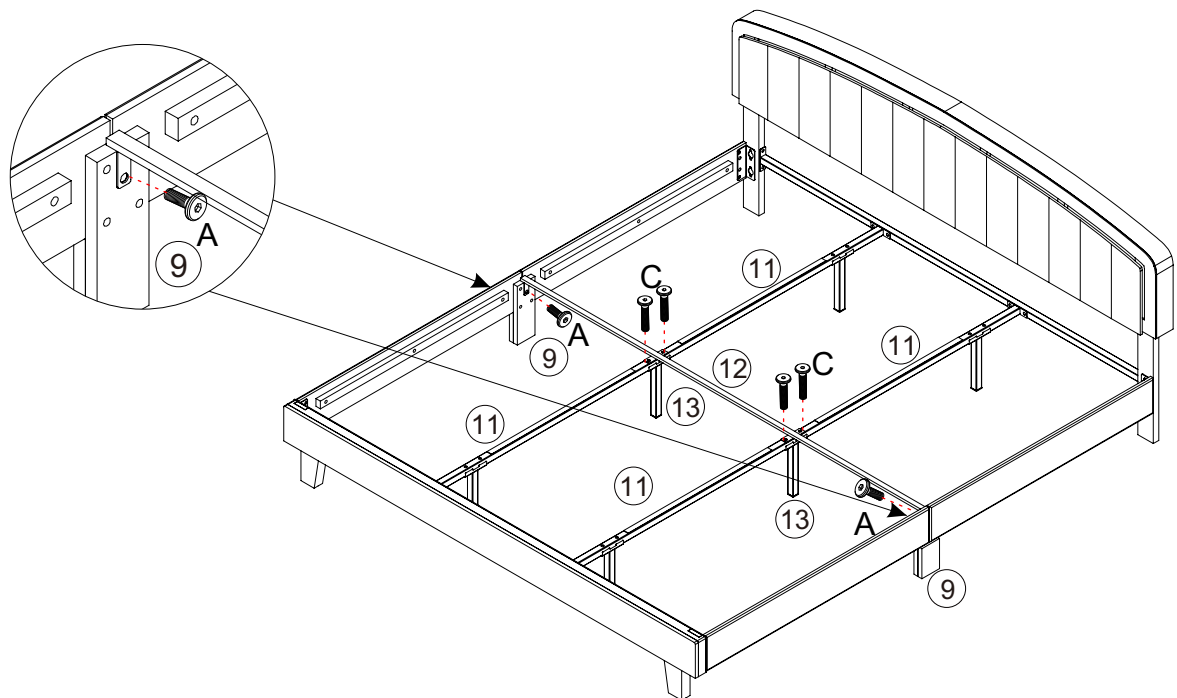
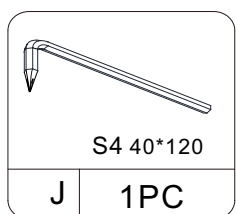
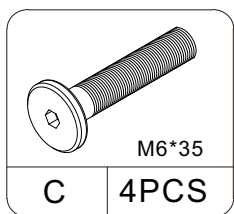
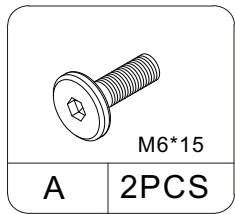
C 8PCS





S4 40\*120

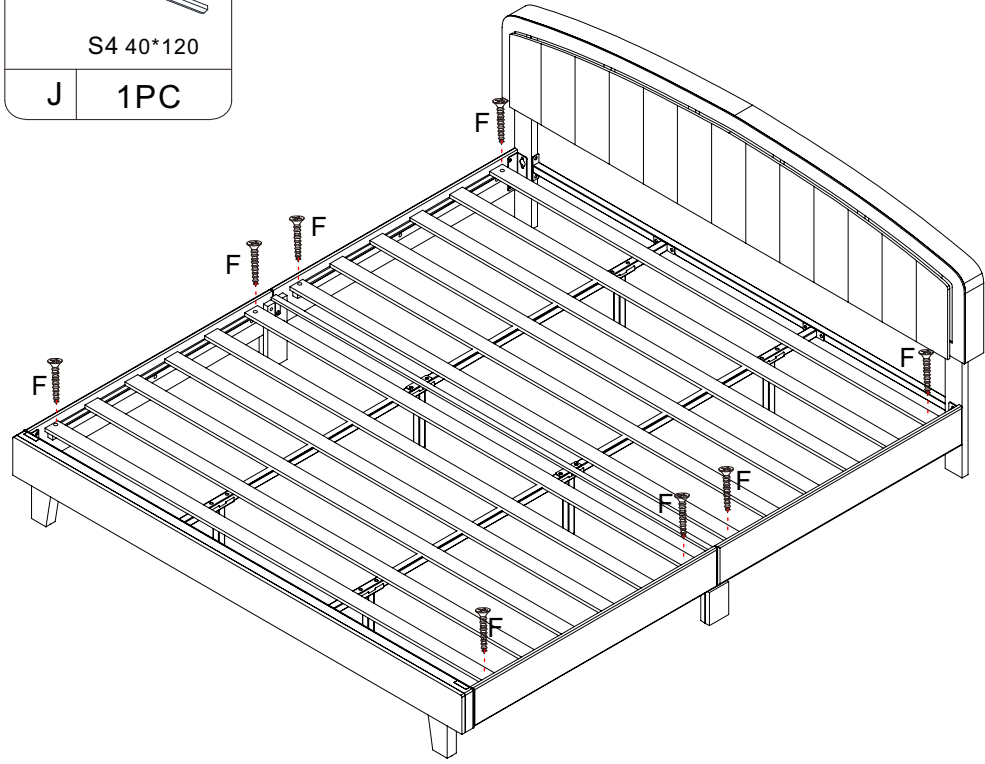
J 1PC





	ST4.0*20
F	8PCS

	S4 40*120
J	1PC



# FINISH

