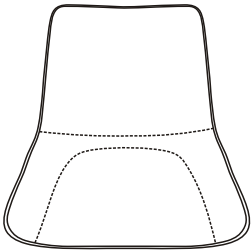
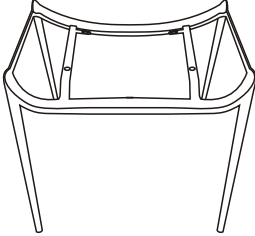






# DINING CHAIR

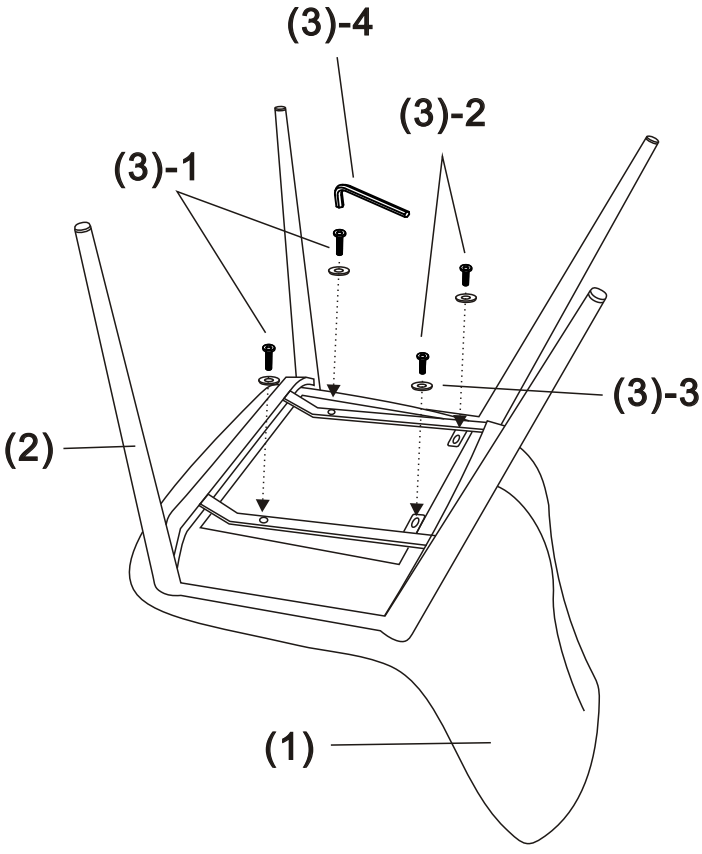
(GRAY&WALNUT)

## PART LIST/Liste des pièces

(1)	(2)	(3)
 X1	 X1	1.  X2 M4*25mm 2.  X2 M4*20mm 3.  X4 4.  X1

## INSTRUCTION

**A**



(1)

(2)

(3)-1

(3)-2

(3)-3

(3)-4

**B**

