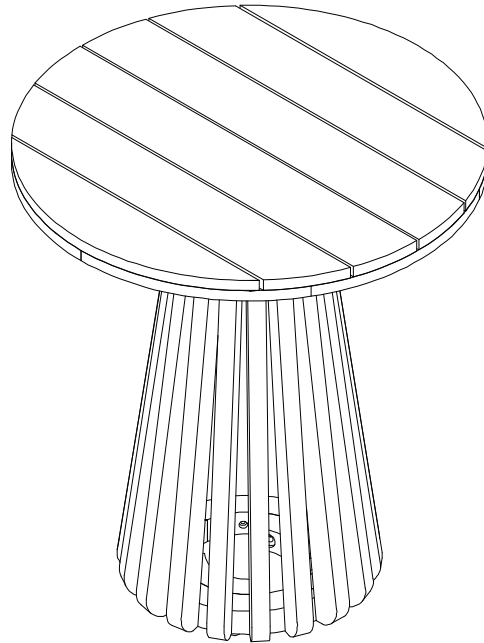


# Instruction Manual

Willow 45cm Round Side Table, Brushed Light Acacia

[www.laura-james.co.uk](http://www.laura-james.co.uk)

1700863.11



# CONTENTS

---

Safety and care advice	1
Components	2
Assembly instructions	4
Copyright	9

## ⚠ SAFETY AND CARE ADVICE ⚠

---

### PLEASE READ THESE INSTRUCTIONS CAREFULLY AND KEEP FOR FUTURE REFERENCE

- **Warning:** Please lift with care.
- Check you have all the components and tools listed on pages 2 and 3.
- Remove all fittings from the plastic bags and separate them into their groups.
- Keep children and animals away from the work area, small parts could choke if swallowed.
- Make sure you have enough space to lay out the parts before starting.
- Do not stand or put weight on the product, this could cause damage.
- Assemble the item as close to its final position (in the same room) as possible.
- Assemble on a soft level surface to avoid damaging the unit or your floor (use opened out unit carton).



- We do not recommend the use of power drill/drivers for inserting screws, as this could damage the unit. Only use hand screwdrivers.
- Dispose of all packaging carefully and responsibly.

## CARE AND MAINTENANCE

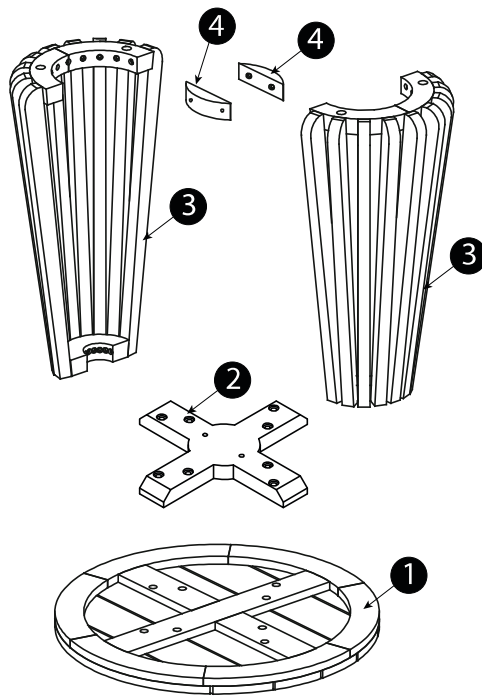
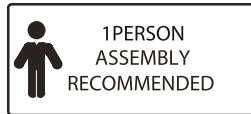
---

- Only clean using a damp cloth and mild detergent, do not use bleach or abrasive cleaners.
- From time to time check that there are no loose screws on this unit.
- This product should not be discarded with household waste. Take to your local authority waste disposal center.

Note: If required the next page can be cut out and used as reference throughout the assembly. Keep this page with these instructions for future reference.

# COMPONENTS

Please check you have all the panels listed below:



1	Table top	x1
2	Table top support	x1
3	Leg	x2
4	Leg connection	x2



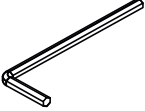
# COMPONENTS

---

Please check you have all the fittings listed below:

A   
Screw M6x40 ( 8 pcs)

B   
Screw M6x45 (6 pcs)

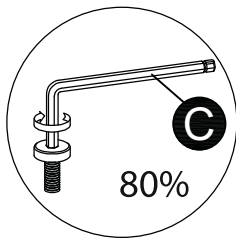
C   
Allen Key (1 pc)

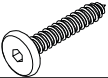



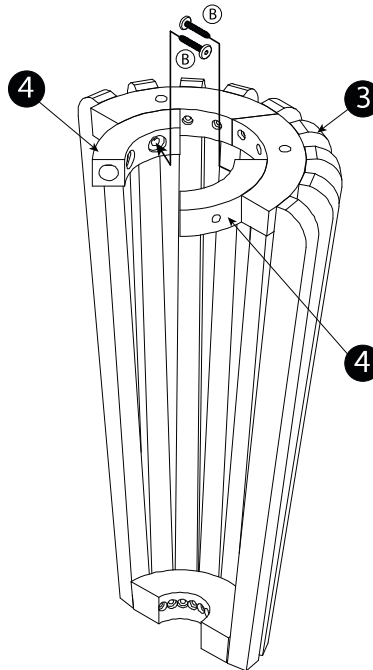
# ASSEMBLY INSTRUCTIONS

---

Step 1:



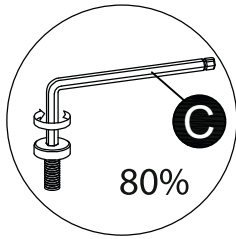
B		2	
C		1	

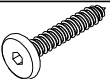



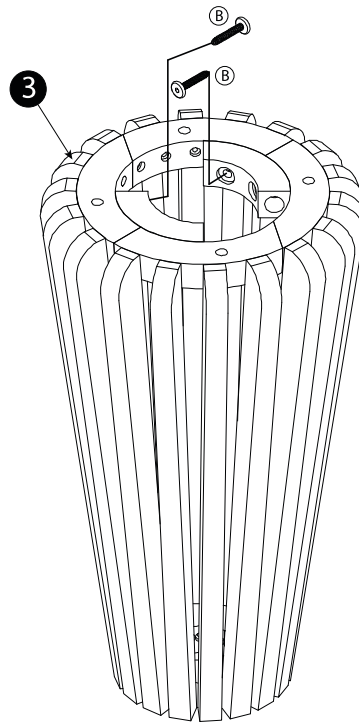
# ASSEMBLY INSTRUCTIONS

---

Step 2:



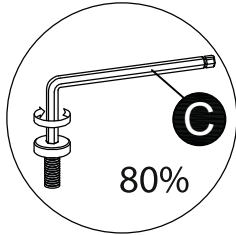
B		2	
C		1	

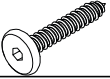



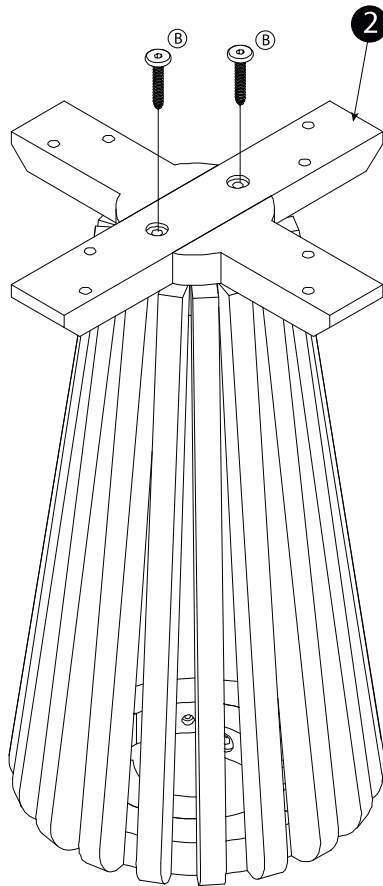
# ASSEMBLY INSTRUCTIONS

---

Step 3:



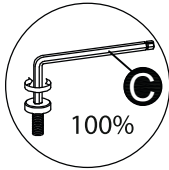
B		2	
C		1	

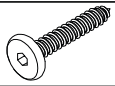



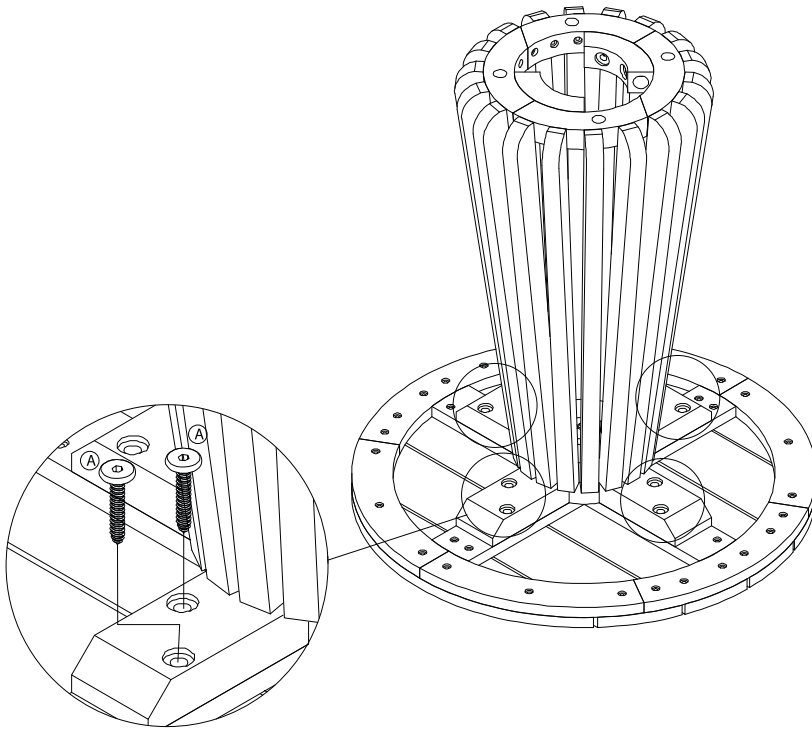
# ASSEMBLY INSTRUCTIONS

---

Step 4:



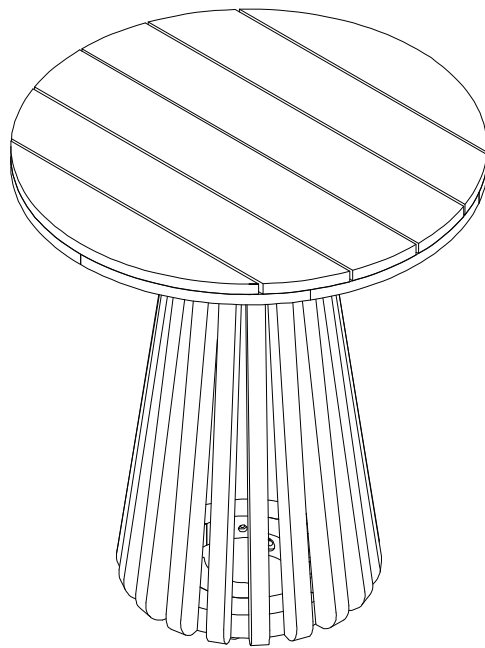
A		8	
C		1	



## ASSEMBLY INSTRUCTIONS

---

Step 5:



Congratulations! Now you have finished assembling the product.

## **IF YOU FIND A DEFECTIVE PART**

---

We fully stock all parts and components. Any defective part can be quickly replaced. Take note of the defective part number in manual and we will arrange a quick replacement.

You can email our team at [customercare@laura-james.co.uk](mailto:customercare@laura-james.co.uk)

## **COPYRIGHT**

---

All material in this instruction manual is copyrighted by AGTC Ltd.

Any unauthorised use may violate worldwide copyright, trademark and other laws.

# ASSEMBLY INSTRUCTIONS

---

Thank you for purchasing!

Laura James® is a registered trademark of AGTC Ltd.

Made in Vietnam for AGTC LTD S35 9ZX

---

Laura James

[www.laura-james.co.uk](http://www.laura-james.co.uk)