

Assembly Instructions

WARNING!!

Furniture Tipping Risk.

Serious risk of severe or fatal crush injuries can occur from furniture tipping over if not secured.

Children like to climb on furniture and Unsecured furniture can pose a serious danger.

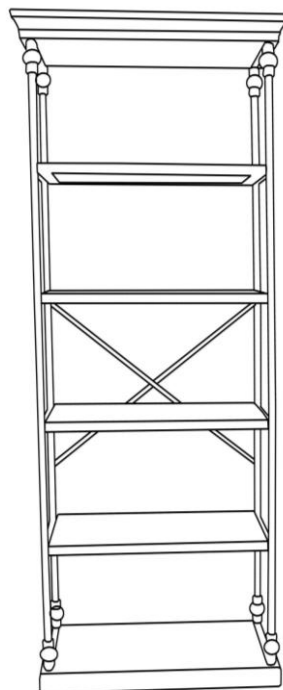
Please follow all instructions and install the tip-over restraints provided.

In addition to installing the restraints, to help prevent tip-over:

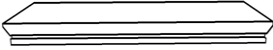






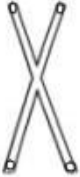
1. Place heaviest items in the lowest drawers;
2. Unless specifically designed to accommodate, do not set TV's or other heavy objects on top of this product;
3. Never allow children to climb or hang on drawers, doors, or shelves;
4. Do not leave drawers open;
5. Never open more than one drawer at a time;
6. Do not step on the base.

Caution: You must read this before you proceed

Bookcase



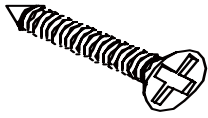
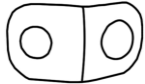
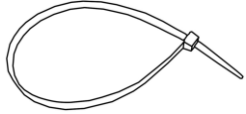

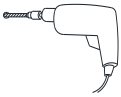


Parts List

Label	Picture	Description	QTY
A		Bookcase Top	1
B		Bookcase Bottom	1
C		Left Lower Side Panels	1
D		Right Lower Side Panels	1
E		Left Upper Side Panels	1
F		Right Upper Side Panels	1
G		Shelves	4
H		"X" Iron Stretcher	1

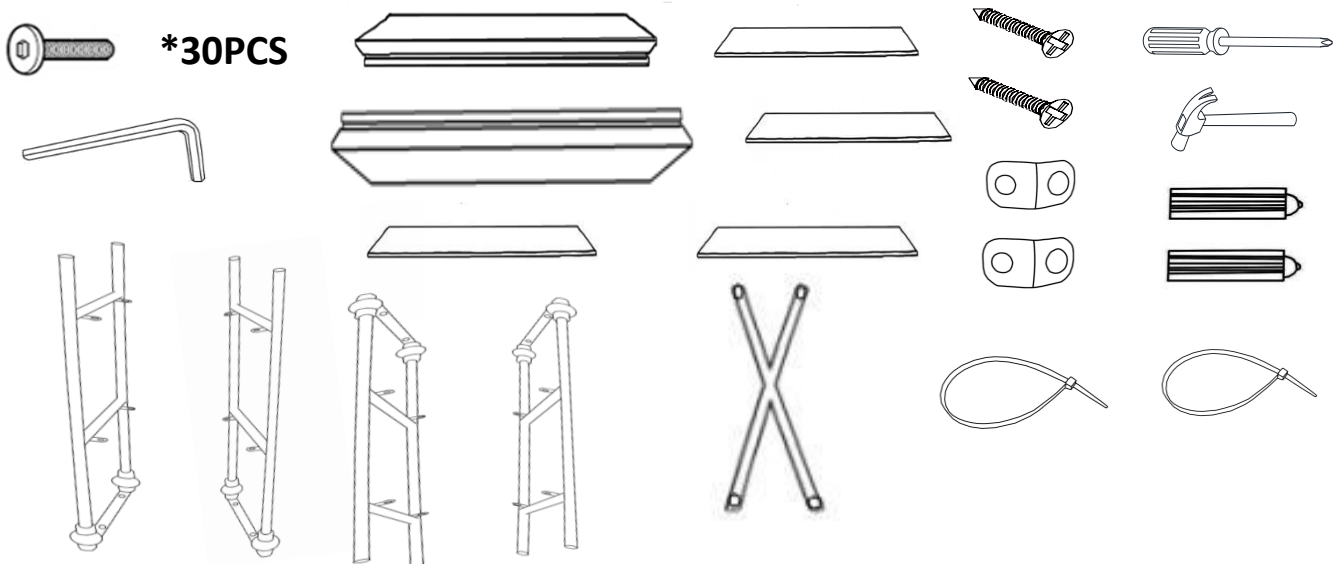
Hardware

Label	Picture	Description	QTY
①		Bolt (M6X15mm)	30
②		Allen Key	1

Cabinet Restraint Device Hardware

③		5cm Self Tapping Screws	2
④		L-shape Metal Brackets	2
⑤		Cabinet Restraint Strap	2
⑥		Screwdriver (Not provided)	1
⑦		Power Drill (Not provided)	1
⑧		Plastic Anchor	2
⑨		Hammer (Not provided)	1

Assembly Preparation



- Read instructions, cover to cover-



- Have 2 adults on hand for assembly-



- Do not assemble on flooring or carpet-



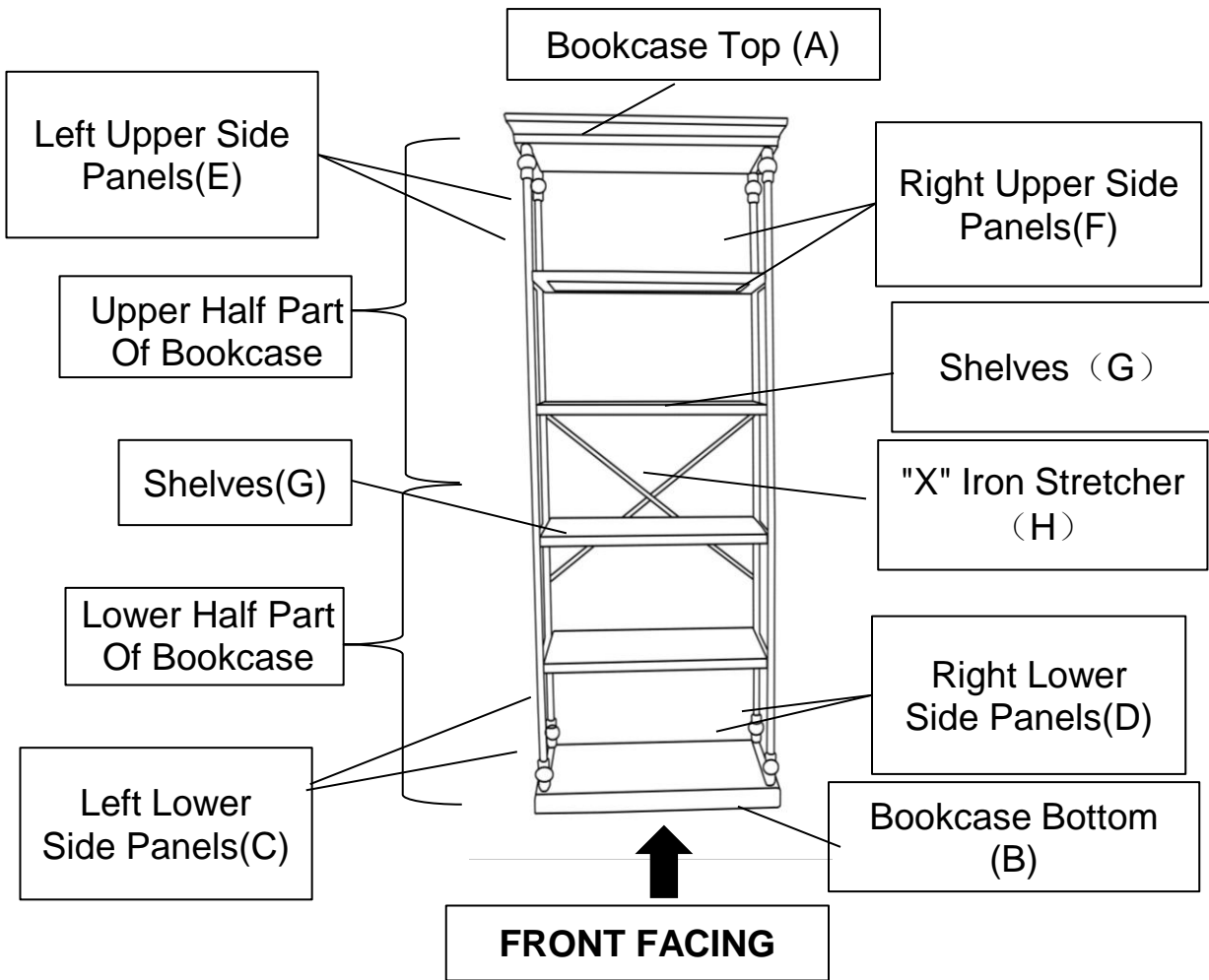
- Assemble on a clean non-marring surface (packing foam)-



- Save all packaging until finished-

Assembly Steps

Product Introduction

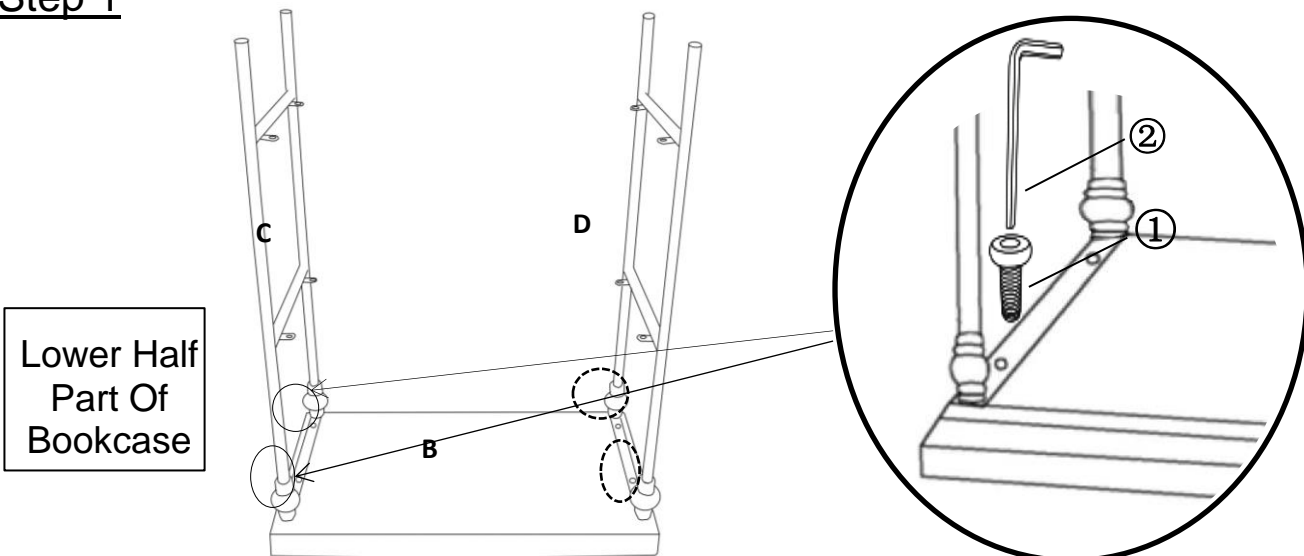


This Bookcase has multiple parts and may require up to some 30 minutes to assemble.

To give you an overview of the Bookcase parts, the above picture is to help you put the various parts into perspective.

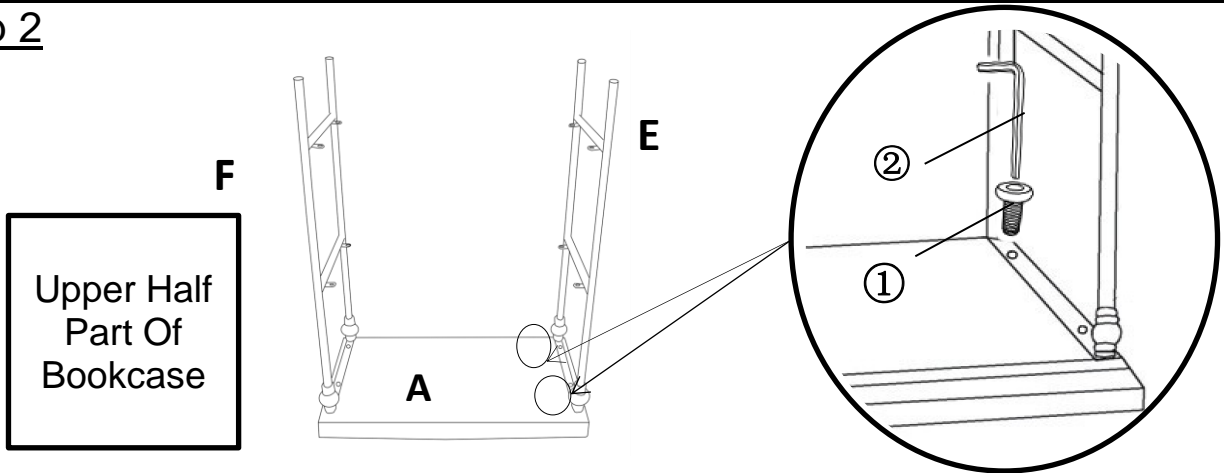
Please read through the instructions herebelow to familiarise the parts and steps before assembly.

Step 1



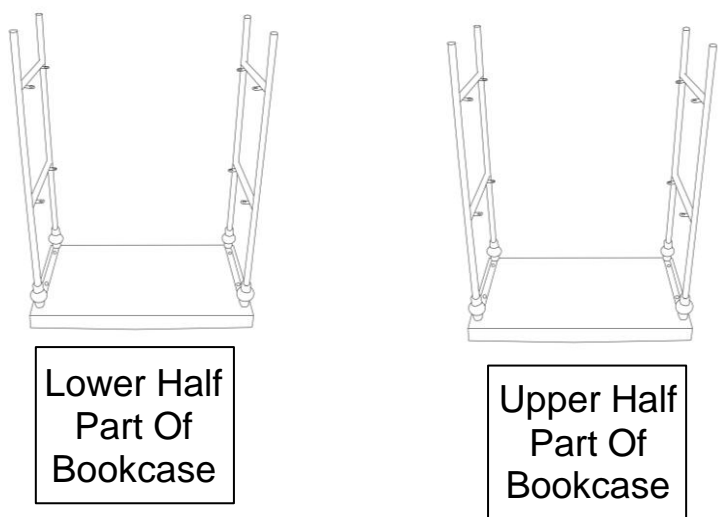
Unpack and place all parts on a clean non-marring surface.
 Assembly the lower half part of Bookcase first.
 Place the Bookcase Bottom(B) on a clean non-marring surface.
 Align the mountings on Left Lower Side Panel(C) to the mountings on Bookcase Bottom (B).
 Attach Left Lower Side Panel(C) to the Bookcase Bottom(B) using Bolt(①) with Allen Key(②).
 Repeat the same process to attach Right Lower Side Panel(D).

Step 2



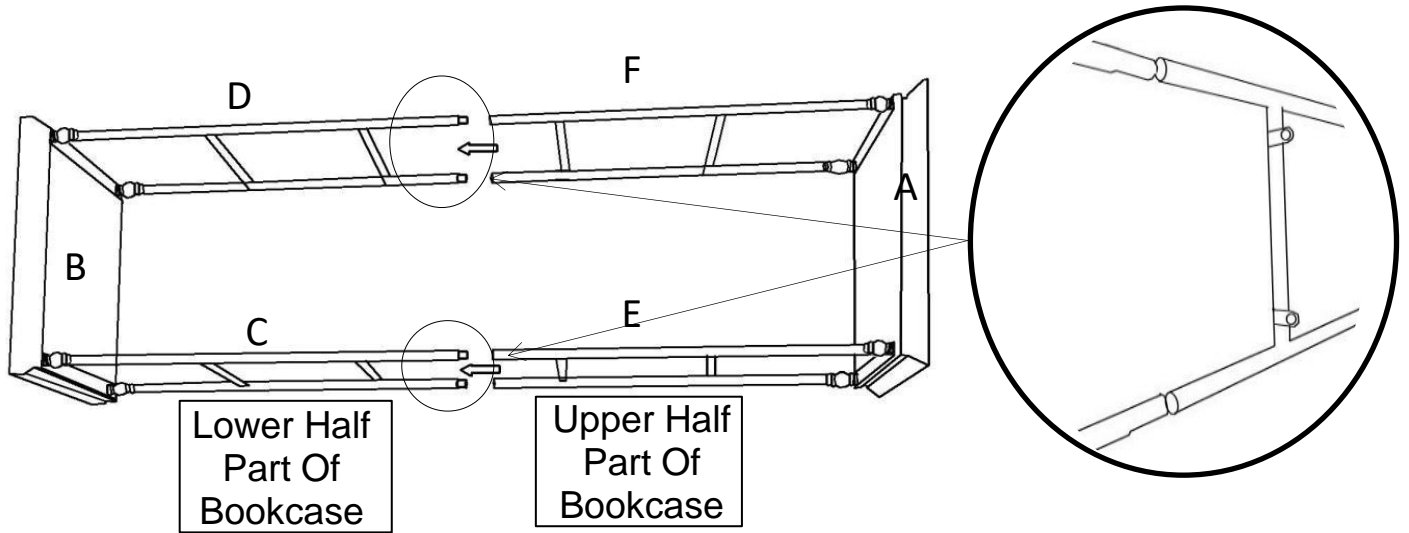
Assembly the upper half part of Bookcase.
 Place the Bookcase Top(A) upside down on a clean non-marring surface.
 Align the mountings on Left Upper Side Panels(E) to the mountings on Bookcase Top (A).
 Attach Left Upper Side Panels(E) to the Bookcase Top (A) using Bolt(①) with Allen Key(②).
 Repeat the same process to attach Right Upper Side Panels (F).

Step 3



Place the lower half part of Bookcase and upper half part of Bookcase side by side.

Step 4



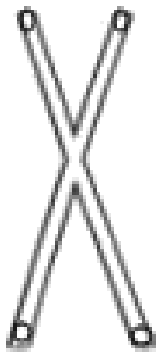
Lay the Lower half and Upper half part of the Bookcase flat on the Ground, with the back of the Bookcase facing skywards.

With assistance from your adult partners, insert the Uper half part of Bookcase into the lower half part of Bookcase.

Note: Make sure the Upper half of Bookcase and Lower half of Bookcase connect fully.

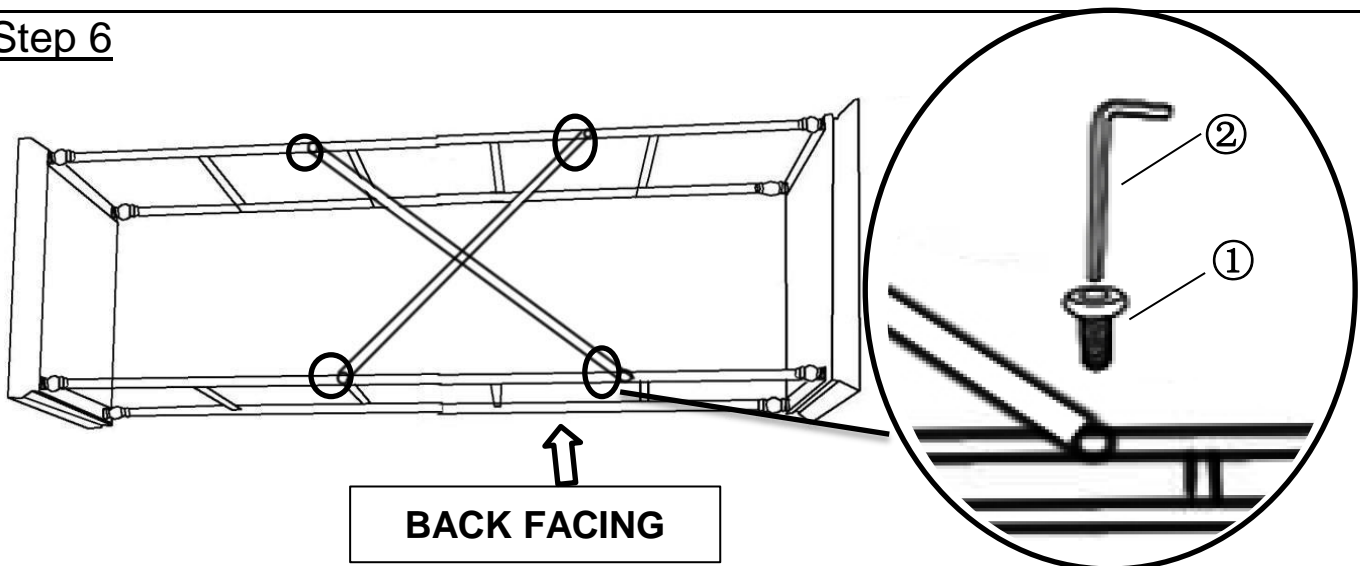
If necessary, after inserted the tubes, firmly push from both ends of the Bookcase to LOCK the Uper and Lower Halves together.

Step 5



Unpack the shape of "X" (As show in the picture).

Step 6



Attach the "X" Iron Stretcher(H) to the pre-assembled Bookcase using Bolt(①) with Allen Key(②).

Fully tighten these Bolts fully in sequential manner.

Step 7

Turn the Bookcase over as shown

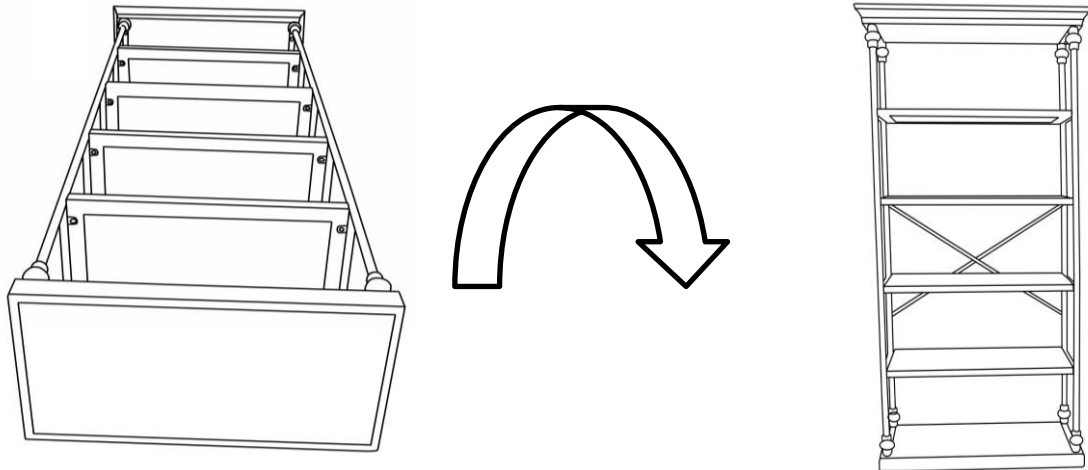
Step 8

Slip in from the side of the **Bookcase** and into the shelf position of the Bookcase. Then, turn the Shelf (G) to rest flat and horizontally on the mounting positions. Inspect and make sure all parts are connected, locked and fully secured into position using Bolts(①) with Allen Key(②).

Step 9

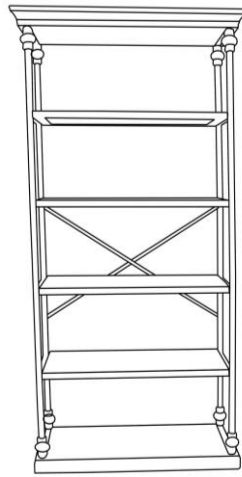
Repeat Steps 7 with remaining 3 Wooden Shelves(G) from top to bottom using Bolts(①) with Allen Key(②).
Fully tighten all Bolts.

Step 10



Stand the Bookcase up as shown

Step 11



Your Bookcase is ready for use.

Check for stability and then tighten the Bolts.

DO NOT fully tighten a BOLT in one go and then move on to the next.

Rather, in a sequential manner, gradually tighten each Bolt until all Bolts are evenly secured.

This methodology will ensure maximum evenness once all Bolts are fully tightened.

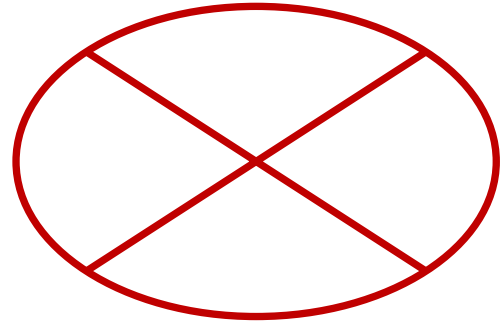
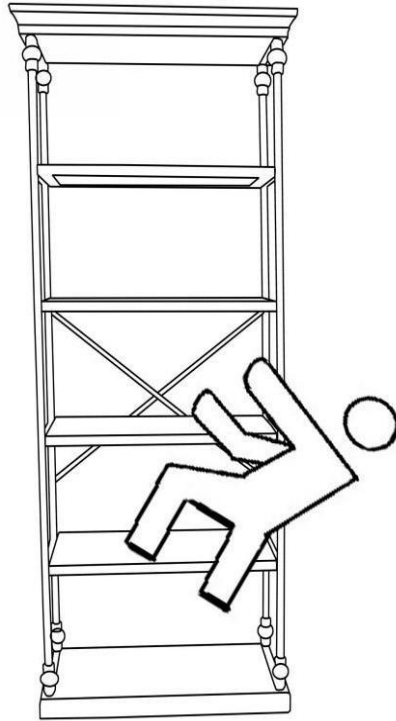
Note: This step is done better with the assistance of a second adult.



WARNING

Serious or fatal crushing injuries can occur from tipping furniture. To help prevent tip-over: **ALWAYS** secure this furniture to the wall using **Cabinet Restraint Device**.

See product instructions for more ways to help prevent furniture tip-over.

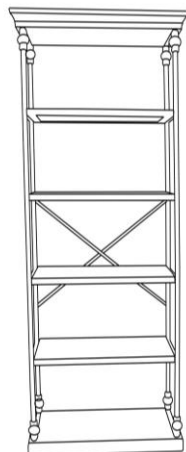


Usage For Cabinet Restraint Device:

For Bookcase against wall, fix 2pcs L-shape Metal Brackets(④) on wall and 2pcs L-shape Metal Brackets(④) on product, use Cabinet Restraint Straps(⑤) to connect the L-shape Metal Bracket(④) on wall and product.

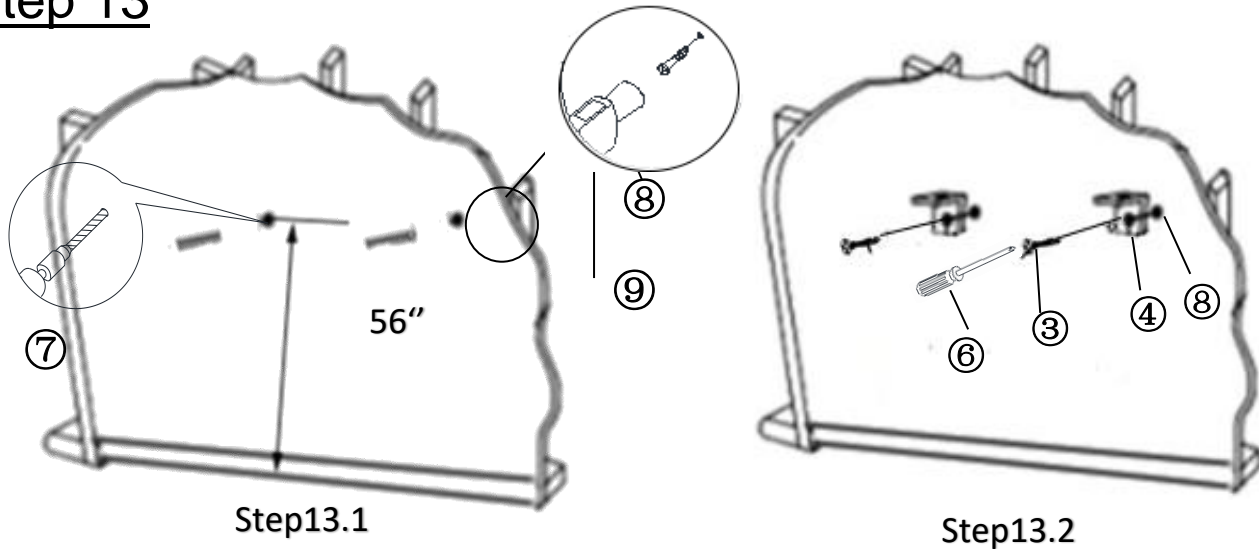
Find details as below:

Step 12



Firstly, turn back the Bookcase outwards as shown above.

Step 13

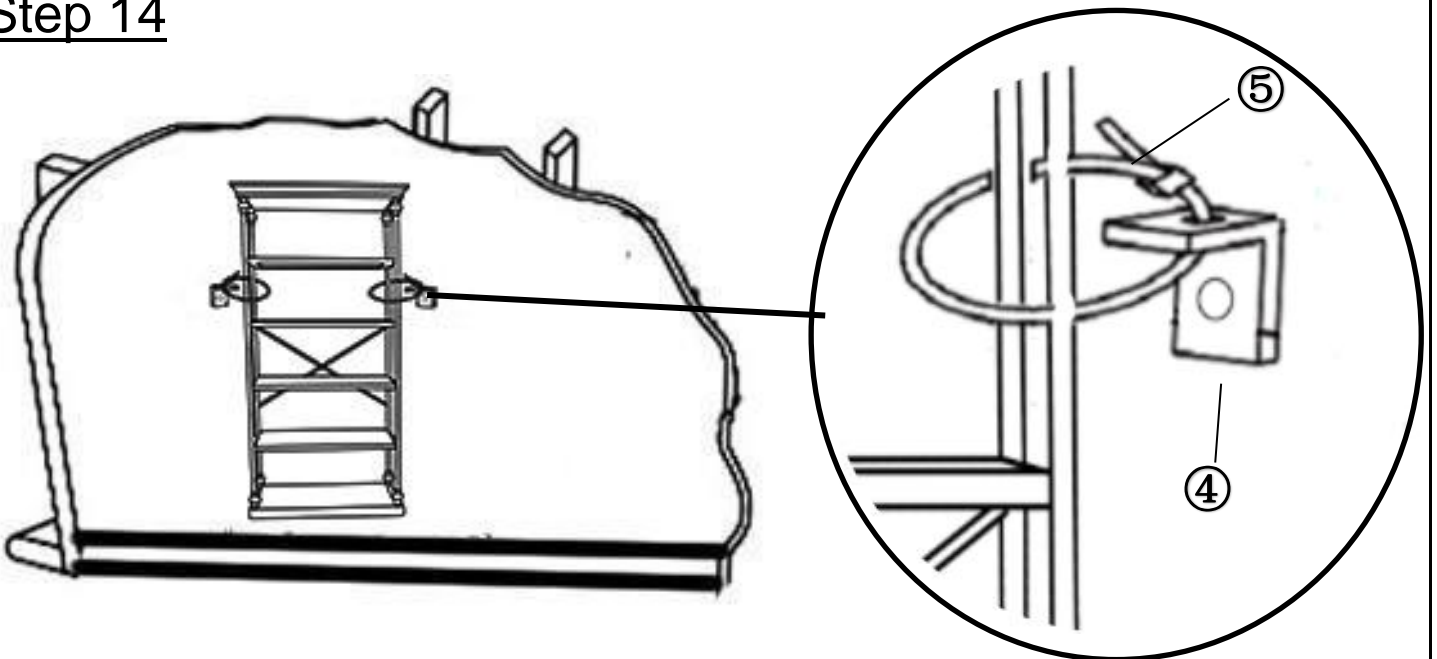


13.1) Use Power Drill(⑦) Drill two mounting positions on wall at same height, bury Plastic Anchor(⑧) into the mounting position with a Hammer (⑨) (Not provided).

13.2) Attach L-shape Metal Brackets(④) to Plastic Anchor(⑧)using Screws(③) with Screwdriver(⑥).

Note: The L-shape Metal Brackets need to be secured to solid, load bearing surface. Please use a Stud Finder(not supplied) if needed to locate the Wall Frame.

Step 14



Move the Bookcase back against wall.

Pull the Cabinet Restraint Straps(⑤) through the L-shape Metal Brackets(④) on the wall and Bookcase one by one, and pull the Cabinet Restraint Straps(⑤) tight.

Your Bookcase is ready for use.

This Bookcase can only be used on a flat, level surface.

Care & Maintenance

- ⊘  • Do not put hot items directly on furniture surface.
 - ⊘  • Do not clean furniture with harsh cleansers or polish.
 - ✓  • To obtain the longest lifespan of your outdoor products, minimizing exposure to direct sunlight is recommended.
 - ⊘  • Children should not climb or jump on the furniture.
 - ⊘  • Do not write on furniture without a padded barrier to protect the surface.
 - ✓  • To obtain the longest lifespan of your outdoor products, avoid extended and lengthy exposure to rain, snow, and direct sunshine. Whenever possible cover the product and /or place under patio or awnings.
 - ⊘  • Not for commercial use. For residential use only .
 - ⊘  • Stains may be removed with mild soap solution and damp cloth.
-
- ✓  • Dust and pick-up spills using a clean, non-colored, lint-free cloth .