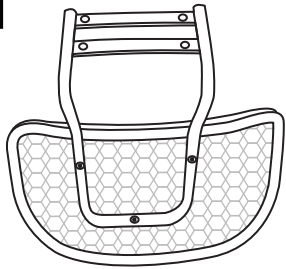
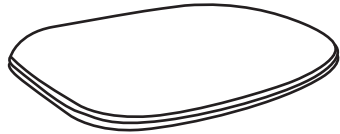


ASSEMBLY INSTRUCTION

A X 1



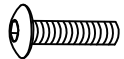
B X 1



C X 1



D X 6+1



M6X35mm

E X 4+1

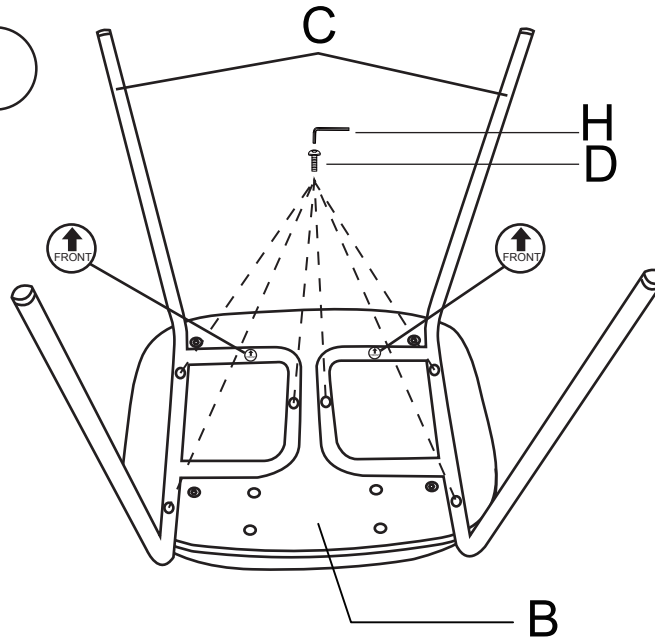


M6X20mm

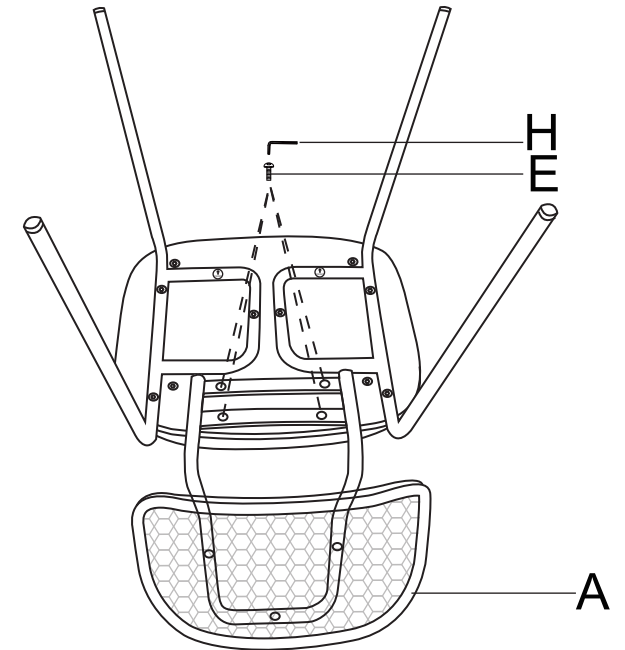
H X 1



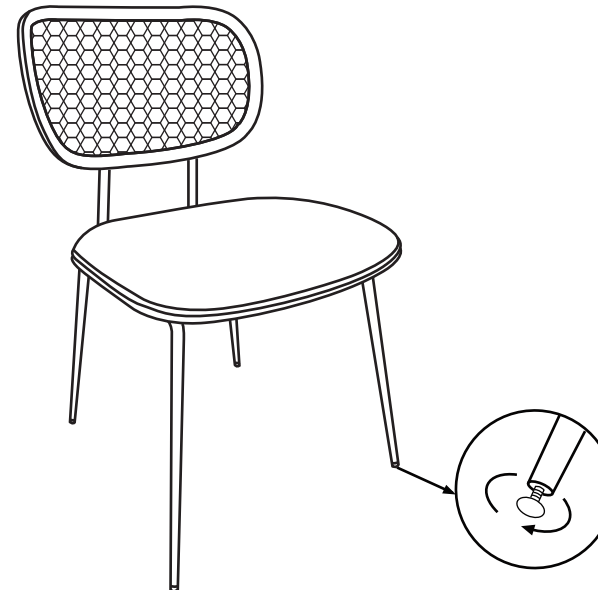
1



2



3



Note: adjust the foot nails to make the chair balance.