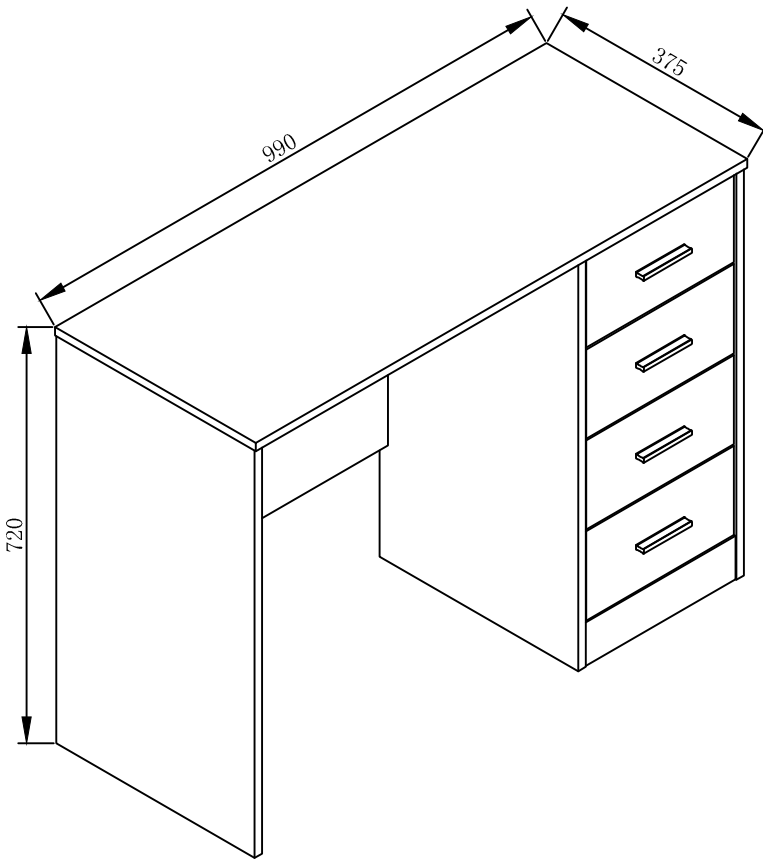




REFLECT - 4 DRAWER DESK ASSEMBLY INSTRUCTIONS

please read the instructions thoroughly BEFORE assembling



Size:(W)990 x (D)375 x (H)720mm



Please take care with small parts



Please do not move item when part or fully assembled

Please Read these instructions BEFORE starting to assemble, to familiarise yourself with the stages of construction and to plan where to assemble the wardrobe.

(as moving the item whilst partly assembled or failing to lift the item when fully assembled will cause damaged)

CAREFULLY open the fittings kit and check all parts are present against the instructions. Please DO NOT destroy or dispose of any packing until AFTER completing the final stage of assembly.

CAUTION: Small components are to be KEPT AWAY from young children to avoid the risk of choking.

Tools Required (NOT PROVIDED)



Person Required



Approximate Assembly Time



1 Hour

IMPORTANT SAFETY AND ITEM CARE INFORMATION - PLEASE READ THOROUGHLY AND RETAIN INSTRUCTIONS FOR FUTURE REFERENCE

INFORMATION

- This product is intended for a maximum weight of 50kgs . **DO NOT Exceed** this weight as this would cause structural damage and failures
- Due to the size of this product we recommend that it is assembled in the room intended for use, as close to the final position as possible
- When you are ready to start, make sure that you have the right tools, plenty of space and a clean, dry area for assembly.
- Unwrap all packaging materials and place the components on top of the carton box or on a clean floor to prevent it from scratching.
- Check the pack and make sure you have all the parts listed.
- Ensure that this product is fully assembled as illustrated before use.
- Check all screws or bolts are tightened and inspect regularly.
- This product should only be used on firm, level ground.
- Keep small parts out of reach of children.
- Make sure the feet are securely in contact with the ground
- Tools not included.

WARNINGS

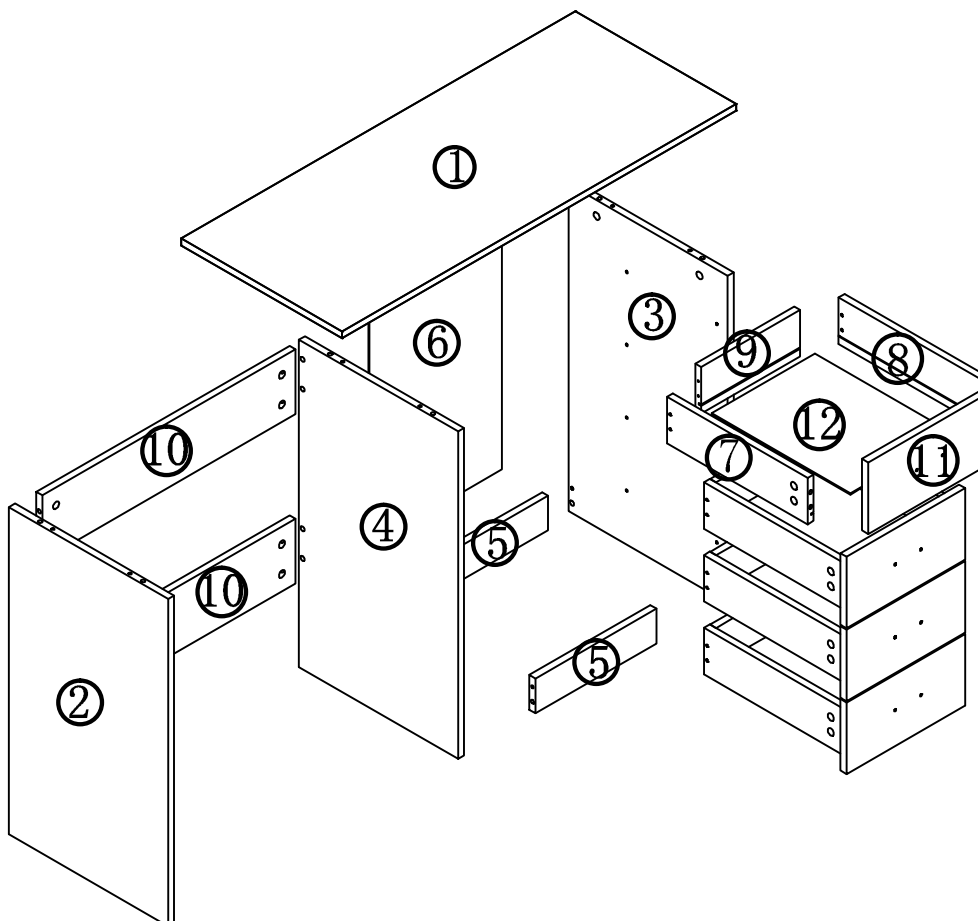
- Do NOT use power tools to construct this product.
- Do NOT tighten screws until fully assembled .
- Do NOT over tighten screws or bolts .
- Do NOT use this product if parts are missing , damaged or worn .
- Do NOT sit or stand on the product .
- We recommend the use of the wall strap provided for safety reasons . N.B. Wall fixings are not included - please source suitable fixings for your wall type . if in doubt please consult a qualified trade person. Warning: Always ensure the area to be drilled is free from hidden electrical wires , water and gas pipes.

CARE INFORMATION

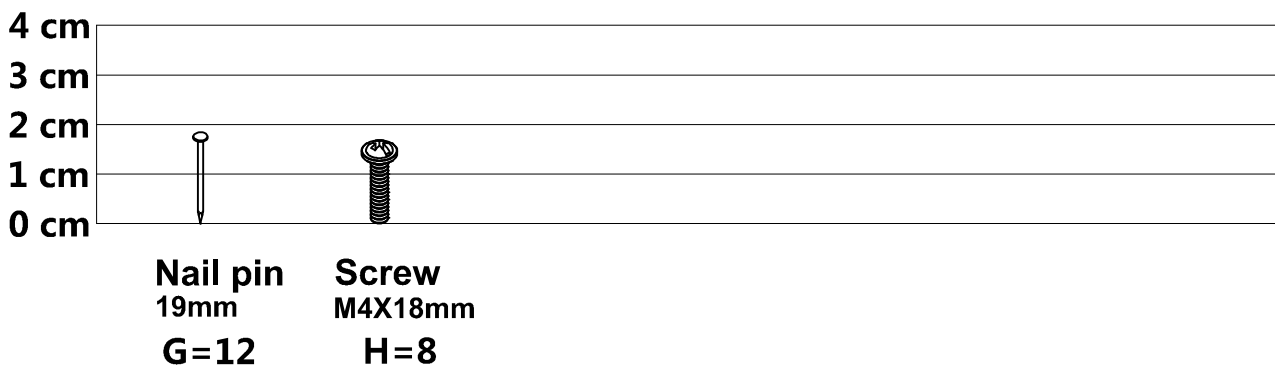
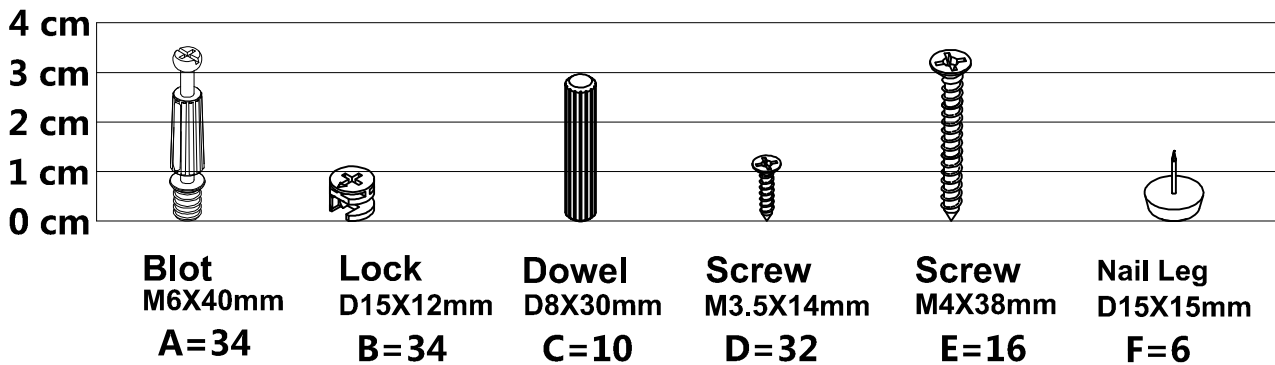
- Never use scourers , abrasives or chemical cleaners.
- To clean wipe with a sponge and warm soapy water . do not use solvent based cleaners or detergents as they can bleach or damage the product.

Please check the pack contents before assembling the product . if any components are missing, please contact your retailer.the fittings pack contains small items that should be kept away from small children.






CODE	PART NAME	QTY	CODE	PART NAME	QTY
1	990X395X15MM TOP PANEL	1PC	9	243X100X15MM DRAWER BACK PANEL	4PCS
2	700X370X15MM LEFT SIDE PANEL	1PC	10	635X140X15MM MIDDLE PANEL	2PCS
3	700X370X15MM RIGHT SIDE PANEL	1PC	11	295X154X15MM DRAWER FRONT PANEL	4PCS
4	700X370X15MM MIDDLE SIDE PANEL	1PC	12	345X253X3MM DRAWER BASE PANEL	4PCS
5	300X68X15MM BOTTOM PANEL	2PCS			
6	650X330X3MM BACK PANEL	1PC			
7	350X100X15MM DRAWER LEFT SIDE PANEL	4PCS			
8	350X100X15MM DRAWER RIGHT SIDE PANEL	4PCS			



Fixings (to scale)



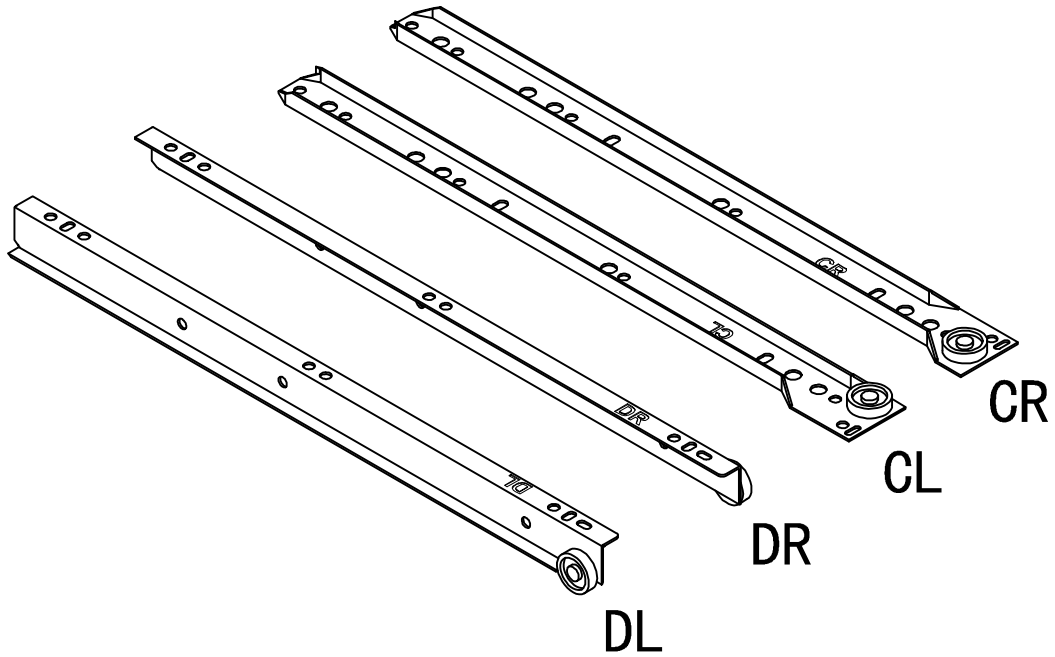
Fixings (not to scale)

Handle  L128mm J=4	Outer Drawer Runner - Right  CR=4	Outer Drawer Runner - Left  CL=4	Inner Drawer Runner - Right  DR=4	Inner Drawer Runner - Left  DL=4	
---	---	--	---	---	--

Drawer Runner Instruction

IMPORTANT - Please Read It Carefully.

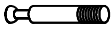

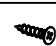
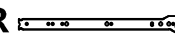
NOTE: 1 PAIR DRAWER RUNNER INCLUDES 4 PIECES.



Fittings (not to scale)

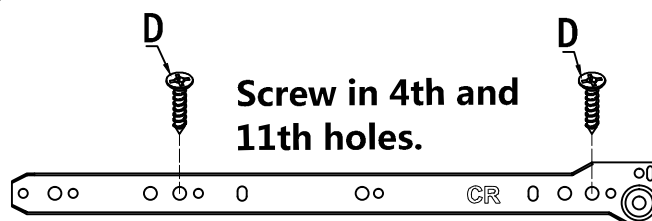
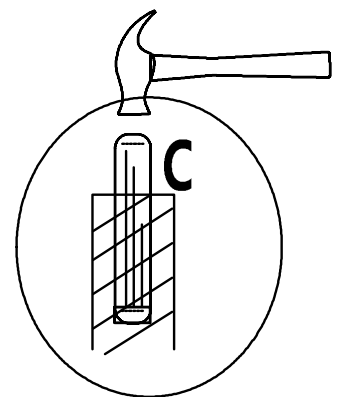
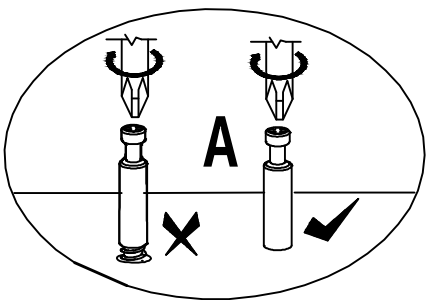
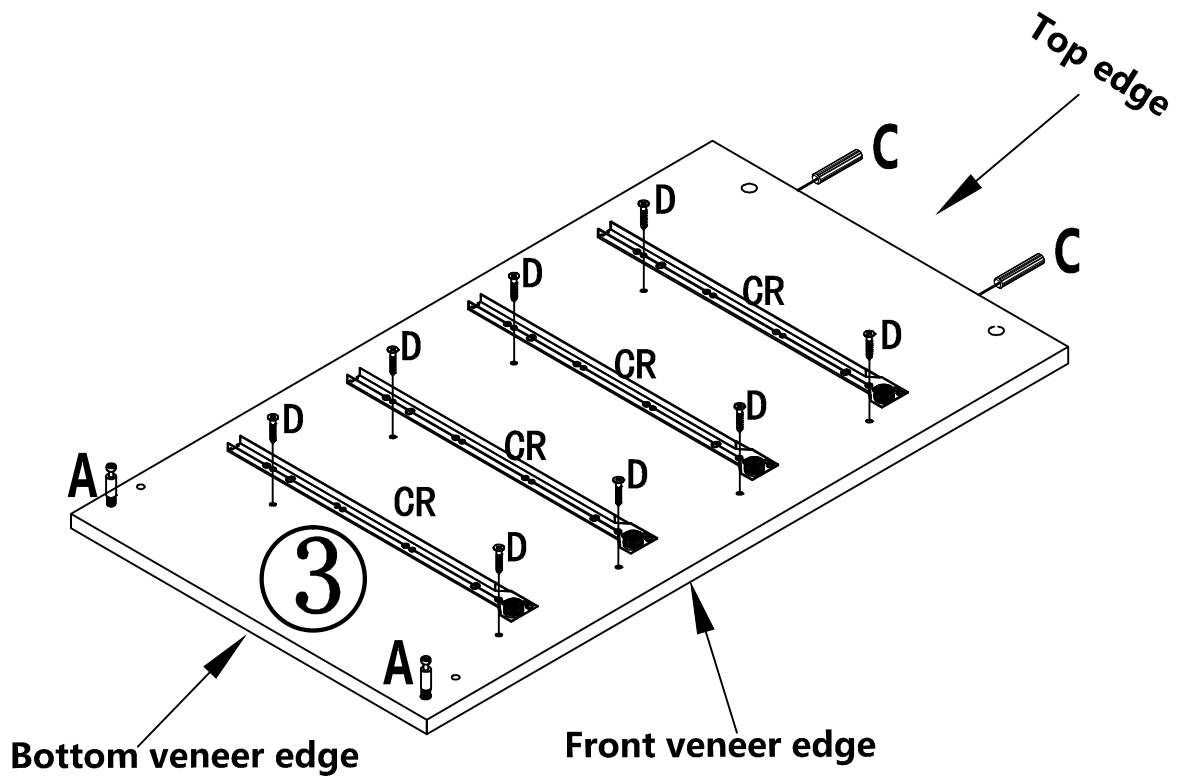
NO.	DESCRIPTION	QTY		
CR	Outer Drawer Runner - Right	4PCS		
CL	Outer Drawer Runner - Left	4PCS		
DR	Inner Drawer Runner - Right	4PCS		
DL	Inner Drawer Runner - Left	4PCS		

STEP 1

A		2 PCS
C		2 PCS
D		8 PCS
CR		4 PCS

Assembly details

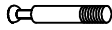


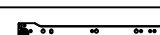
When attaching part (CR) make sure flat edge of part (CR) facing towards veneer edge and roller wheel is facing down towards bottom edge.

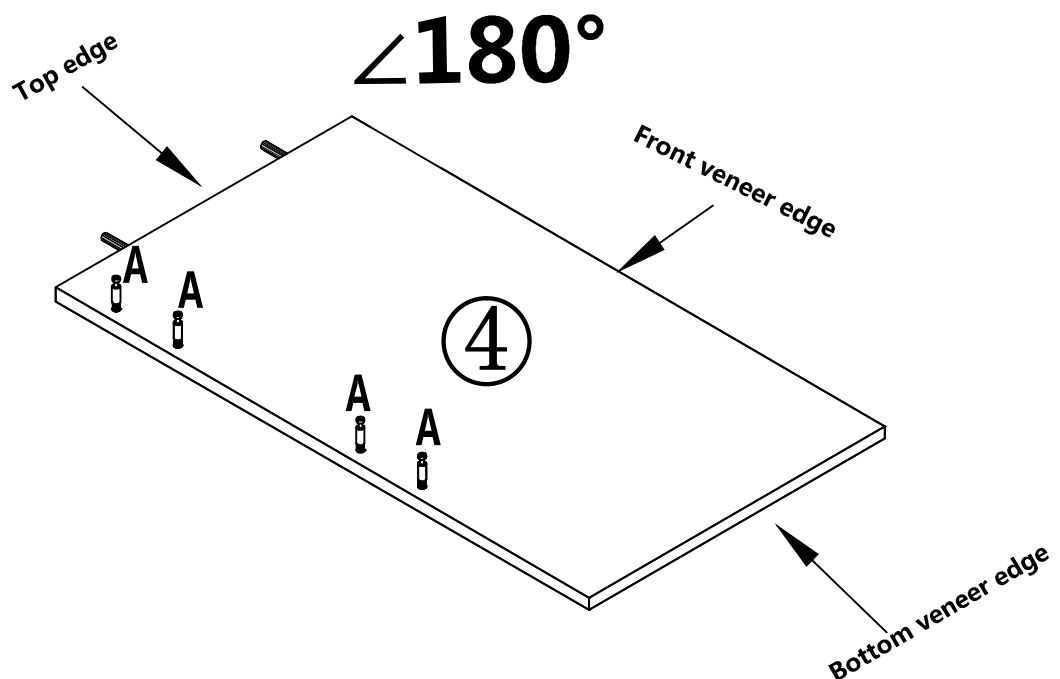
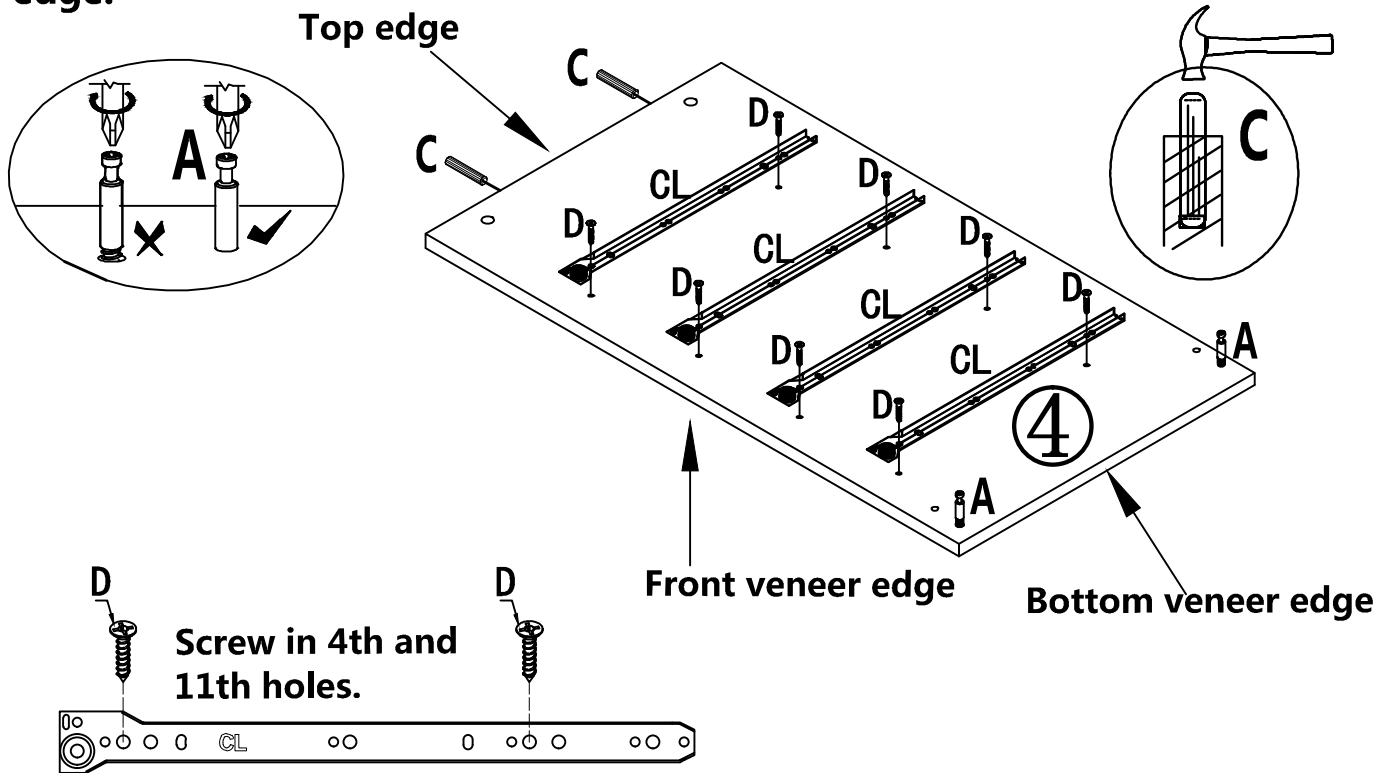


STEP 2

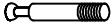

Assembly details

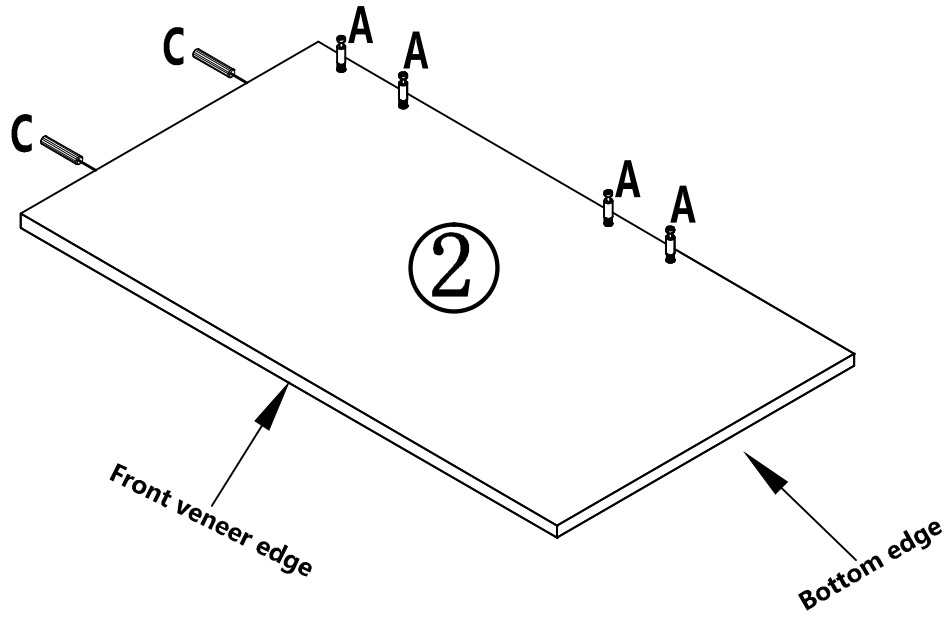
When attaching part (CL) make sure flat edge of part (CL) facing towards veneer edge and roller wheel is facing down towards bottom edge.

A		6 PCS
C		2 PCS
D		8 PCS
CL		4 PCS



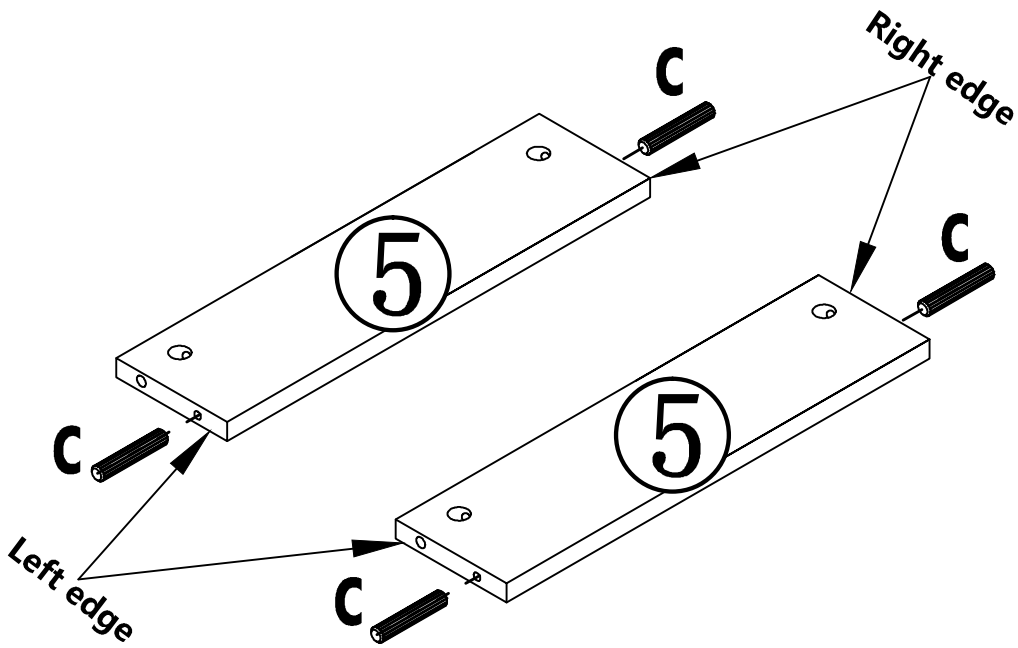
STEP 3

A		4 PCS
C		2 PCS

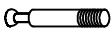


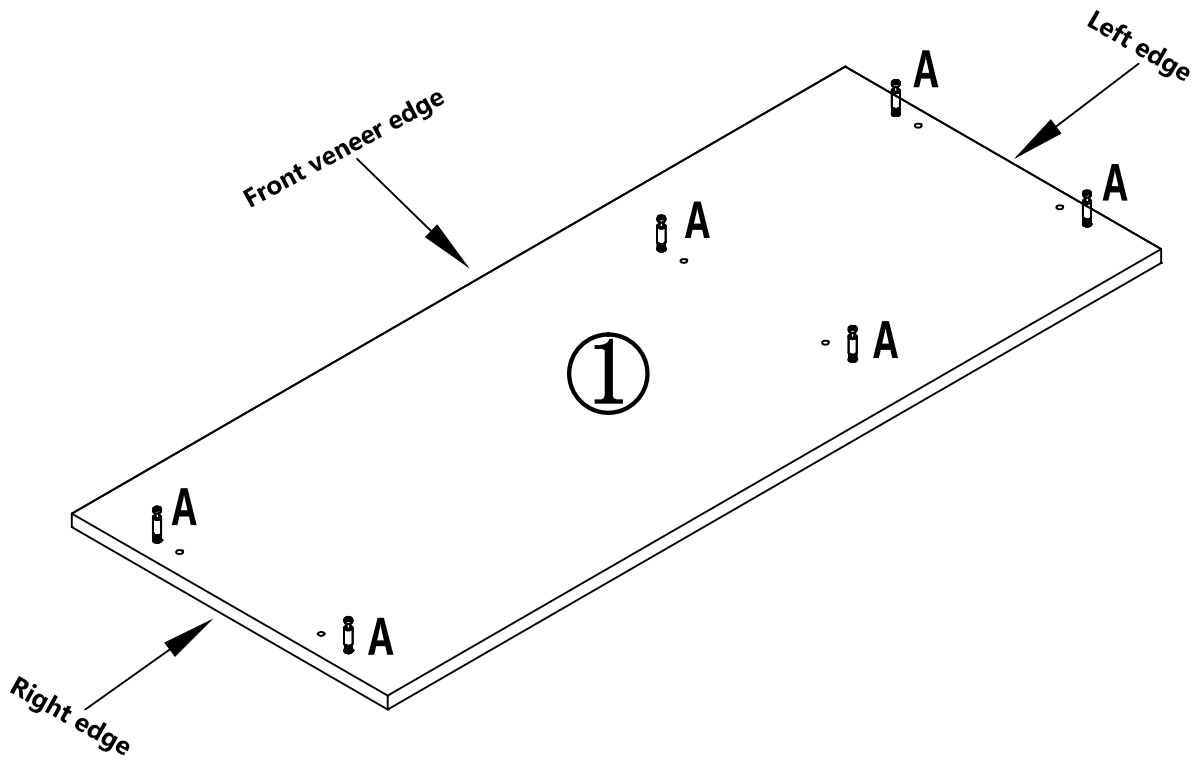
STEP 4

C		4 PCS
---	---	-------



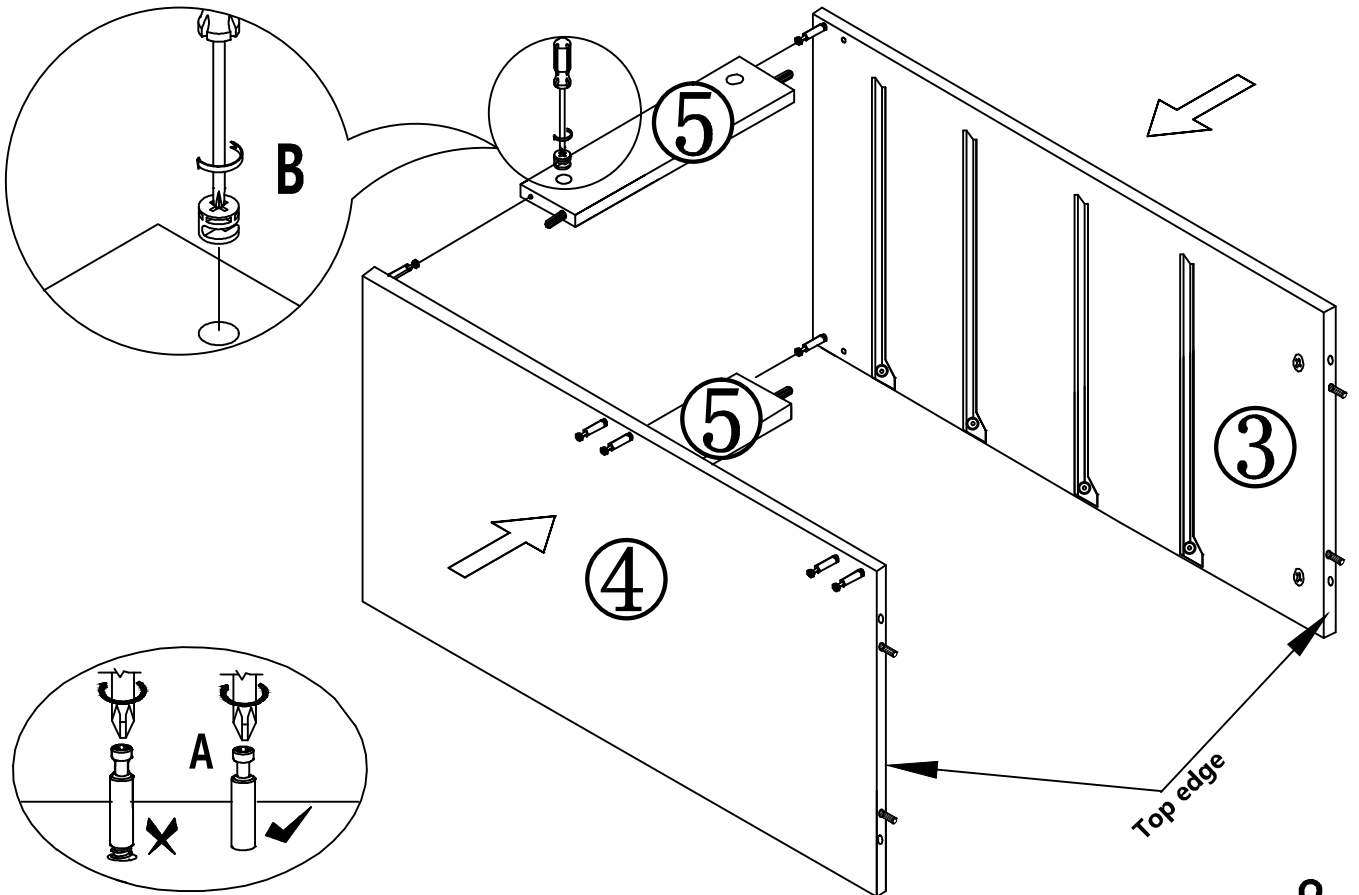
STEP 5

A  6 PCS



STEP 6

B  4 PCS

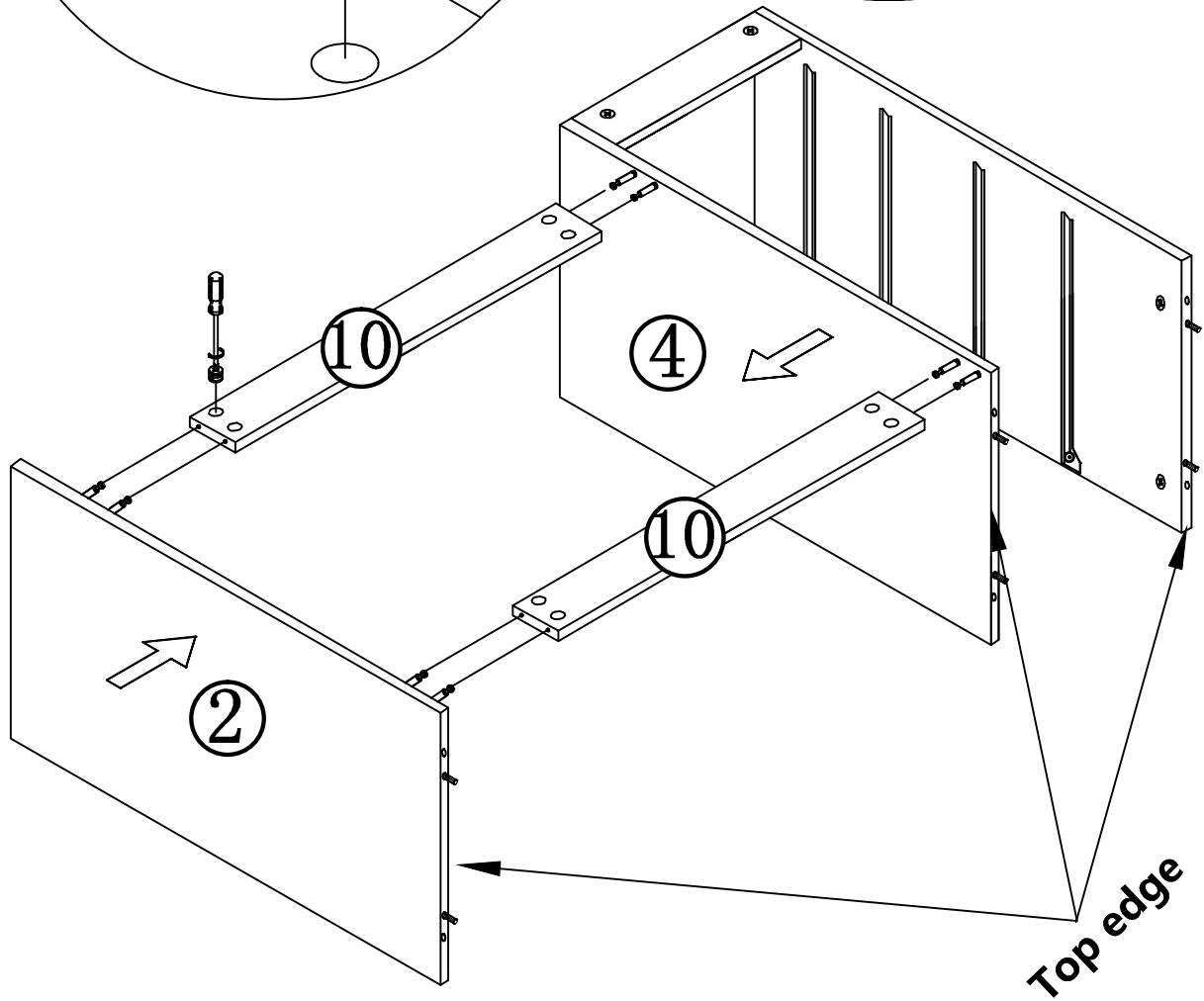
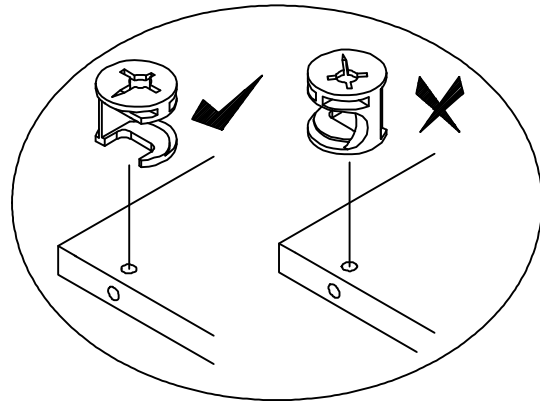
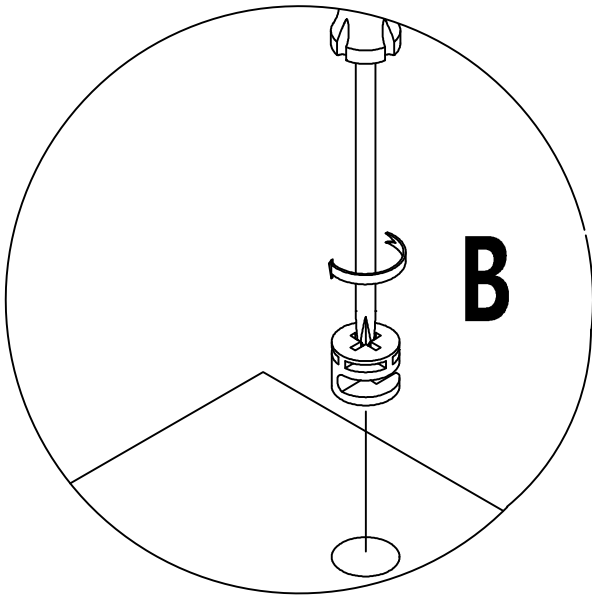


STEP 7

B

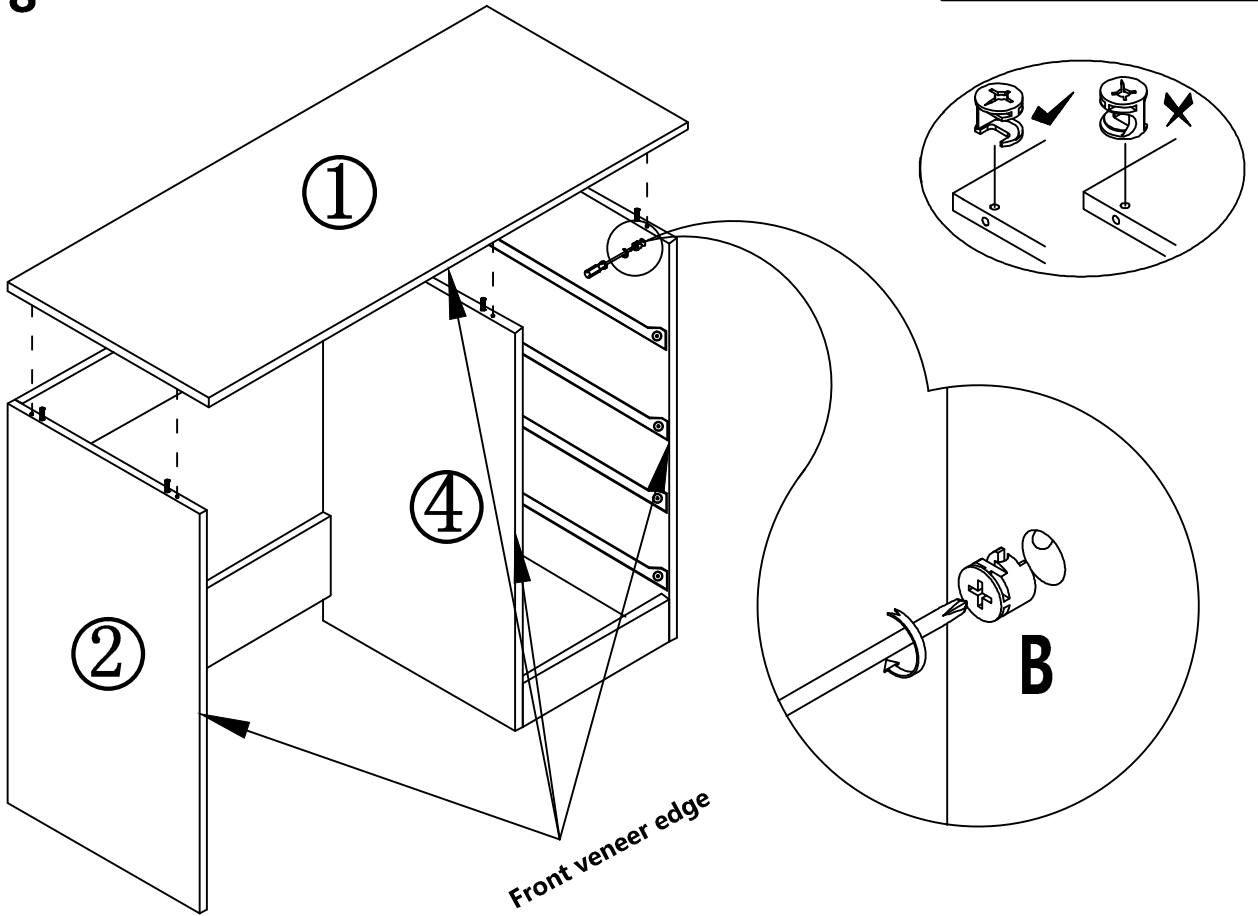


8 PCS



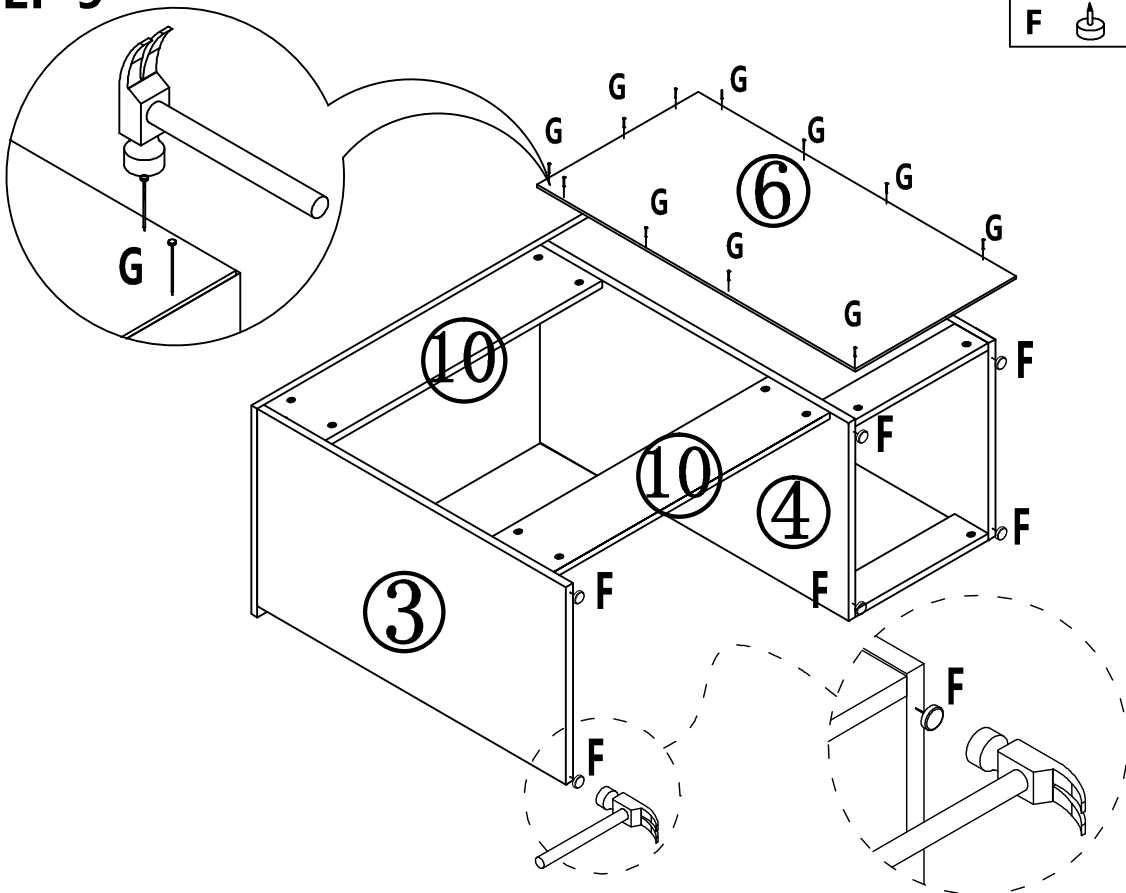
STEP 8

B  **6 PCS**



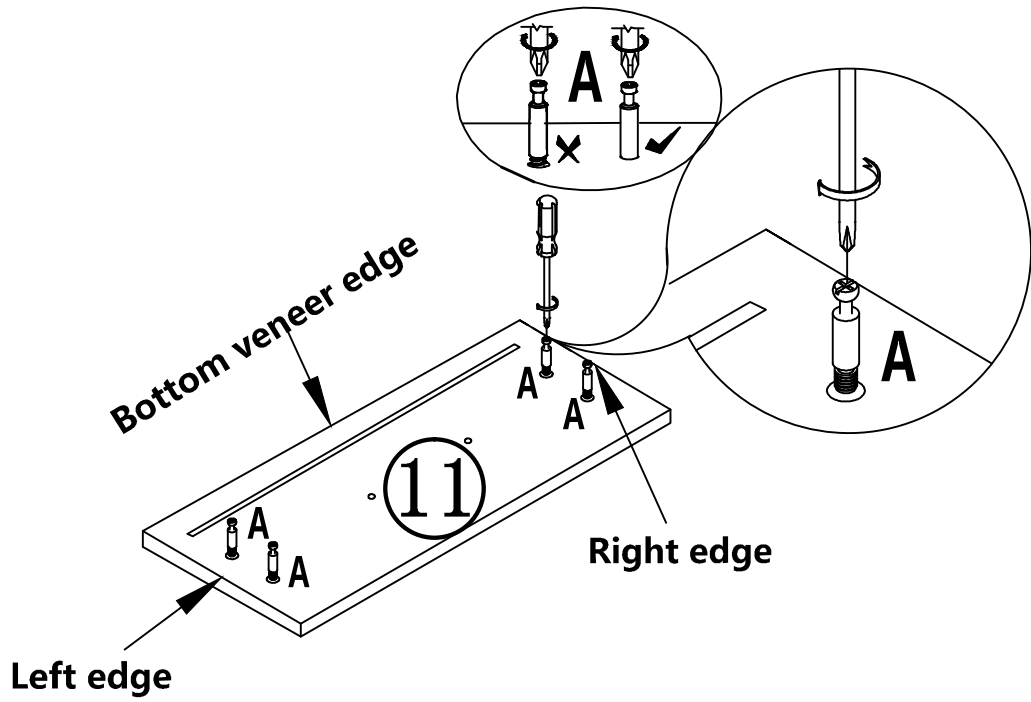
STEP 9

G  **12 PCS**
F  **6 PCS**



STEP 10

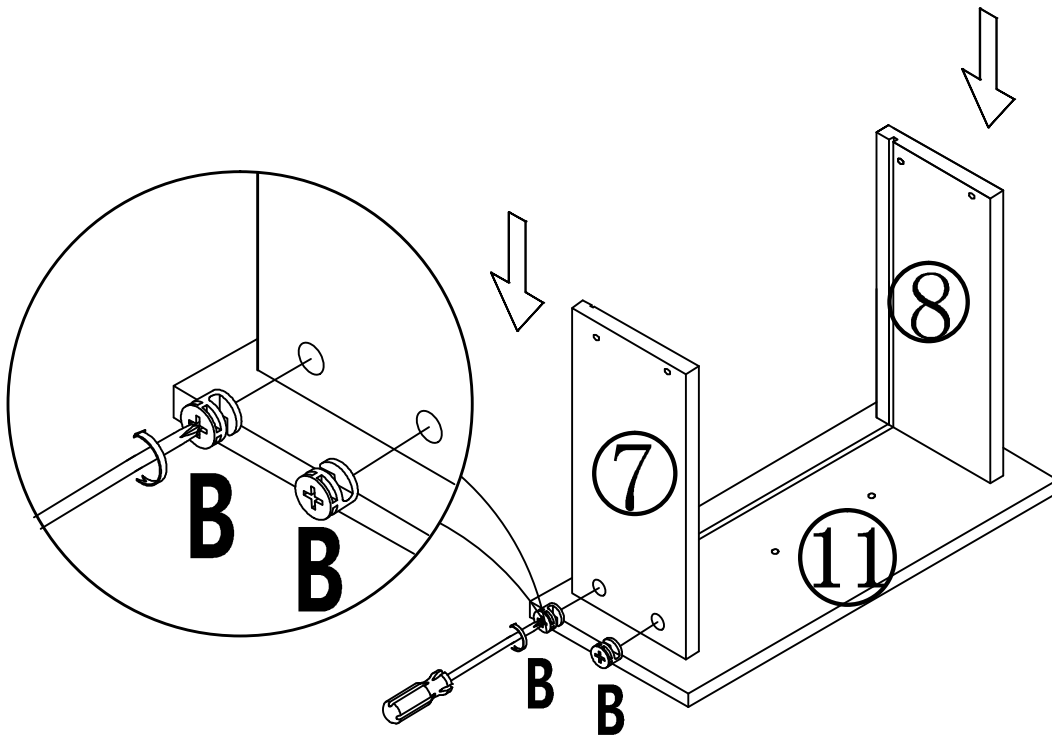
A  16 PCS



Repeat the process for all 4 drawers

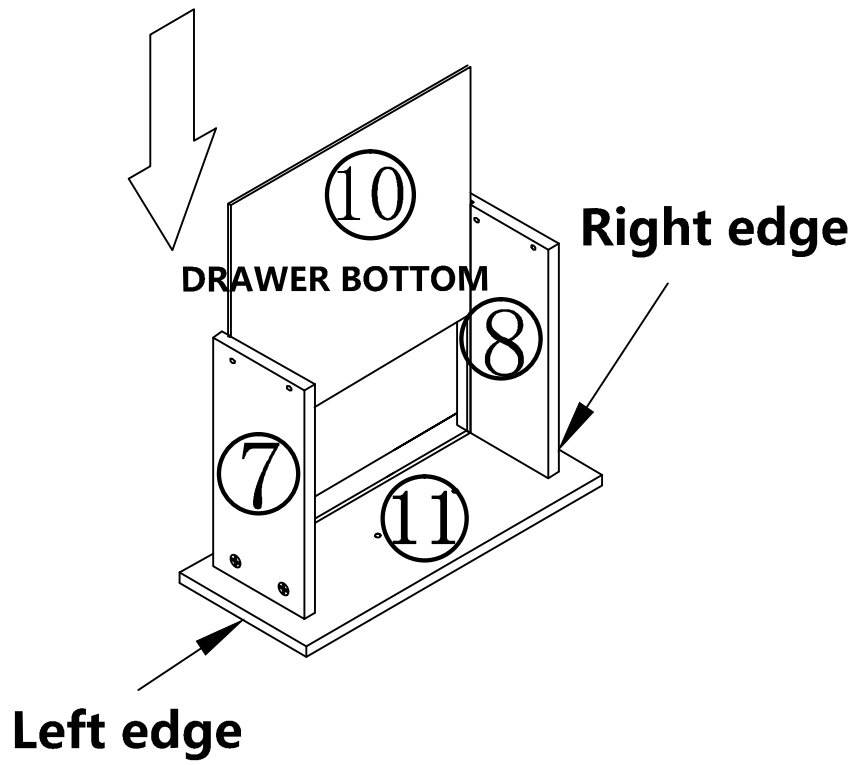
STEP 11

B  16 PCS



Repeat the process for all 4 drawers

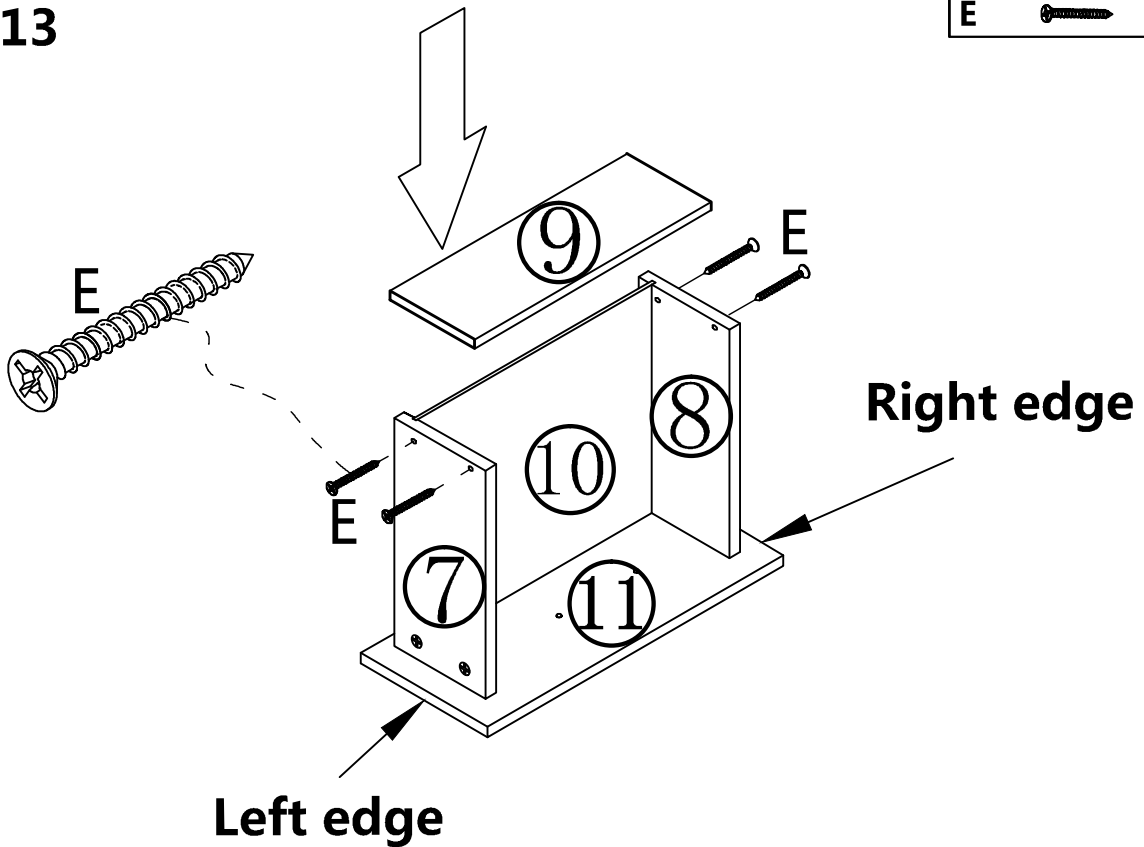
STEP 12



Repeat the process for all 4 drawers

STEP 13

E  16 PCS



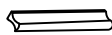




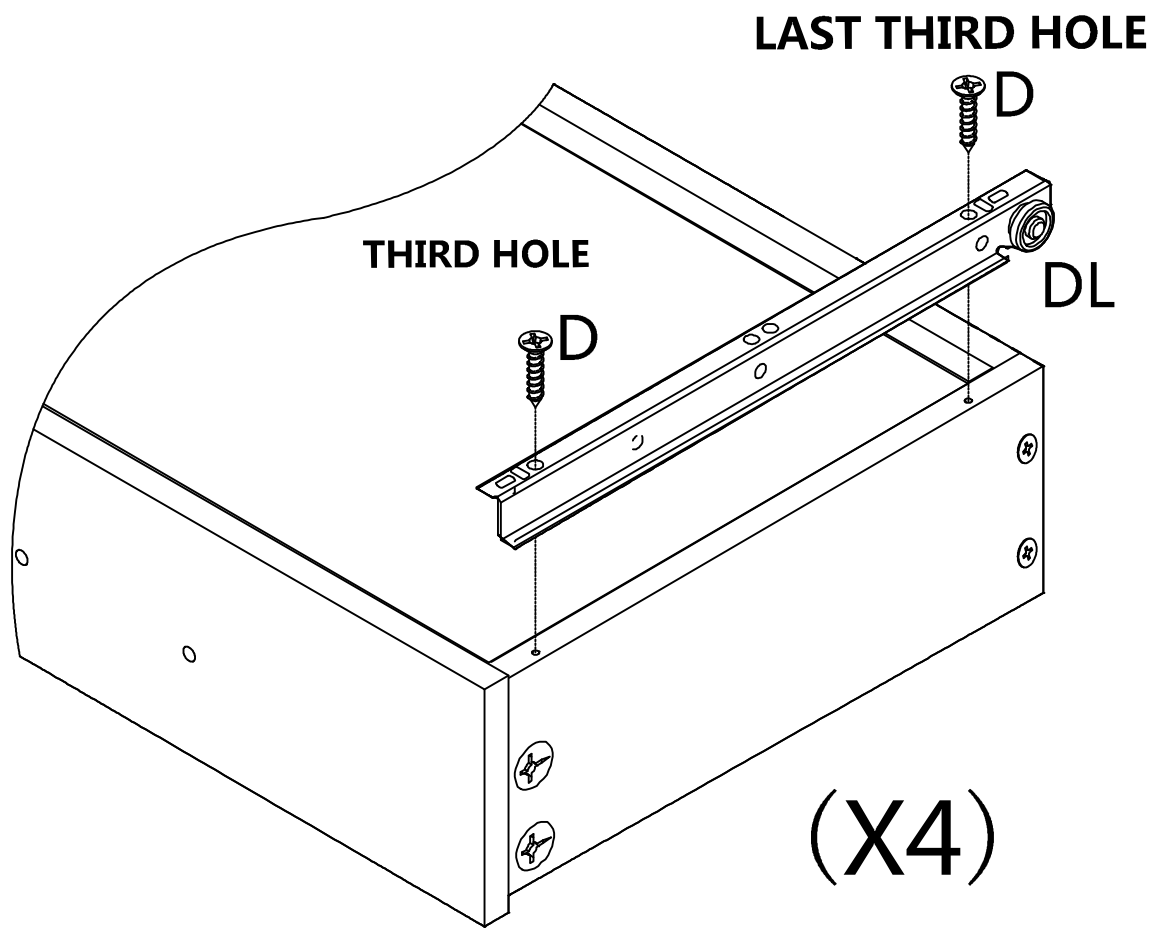
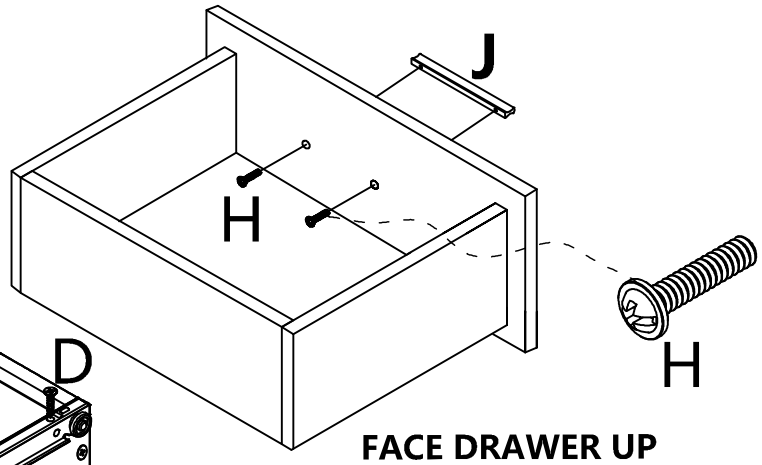
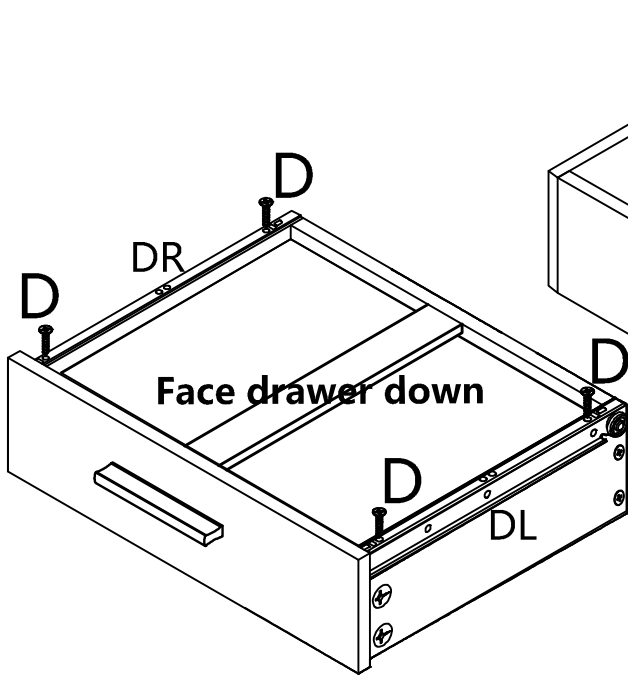
Repeat the process for all 4 drawers

STEP 13

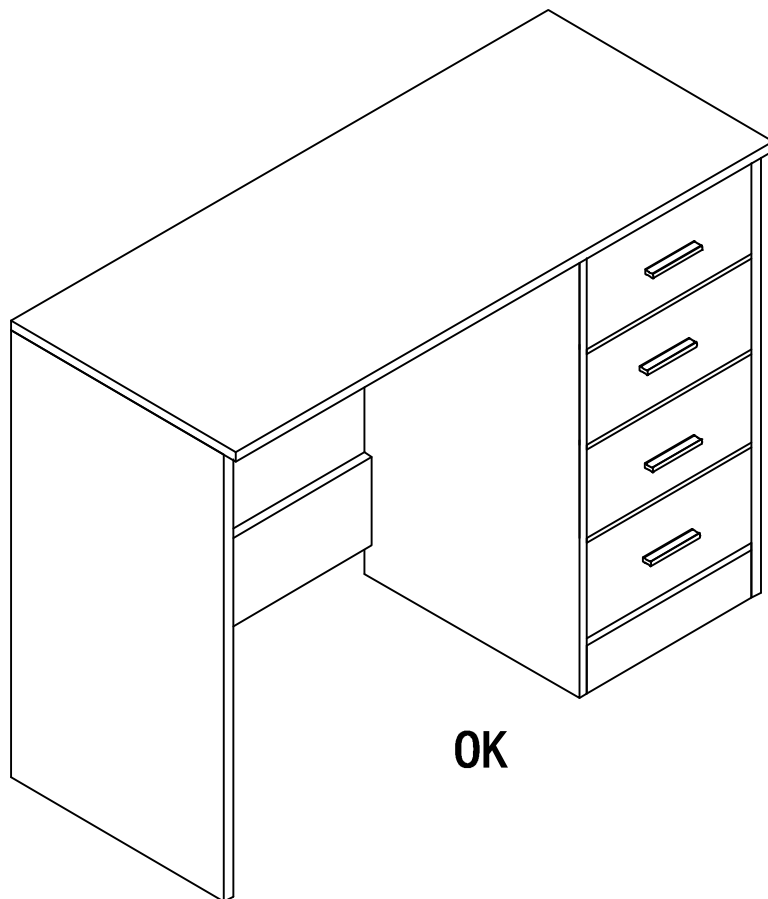
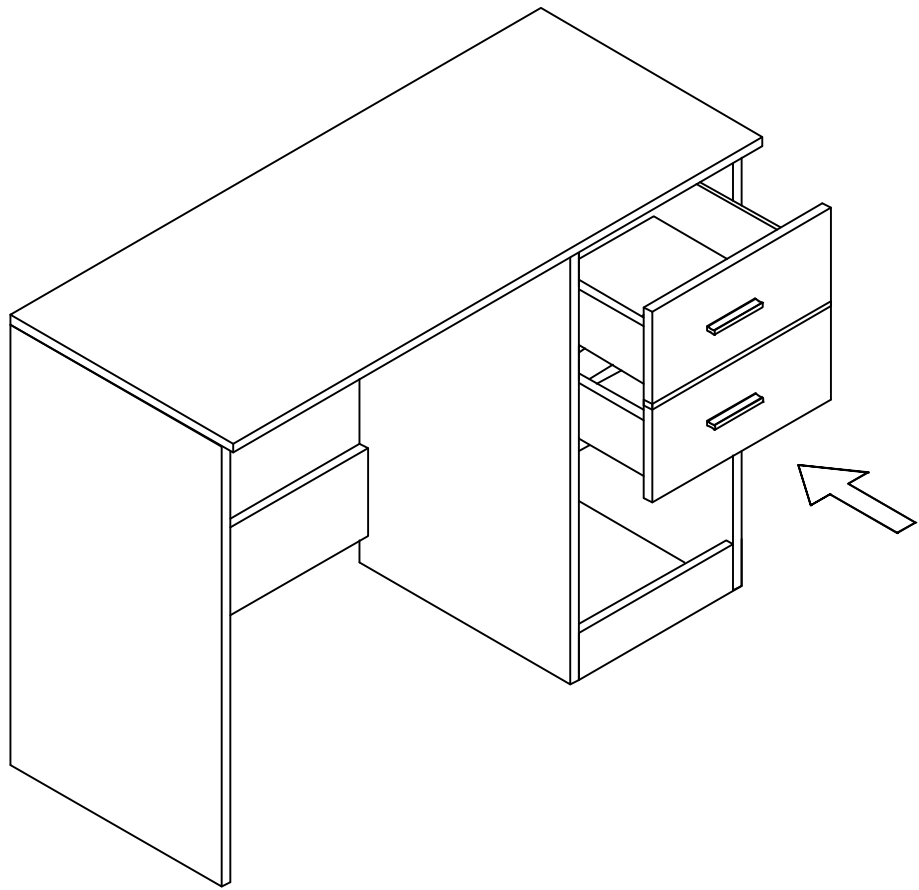


Pls turn the drawer upside down to fit the runners and make sure the runner wheels go at the **BACK** of the drawers, failure to assemble correct way will misaligned the drawers.

D		16 PCS
H		8 PCS
J		4 PCS
DR		4 PCS
DL		4 PCS

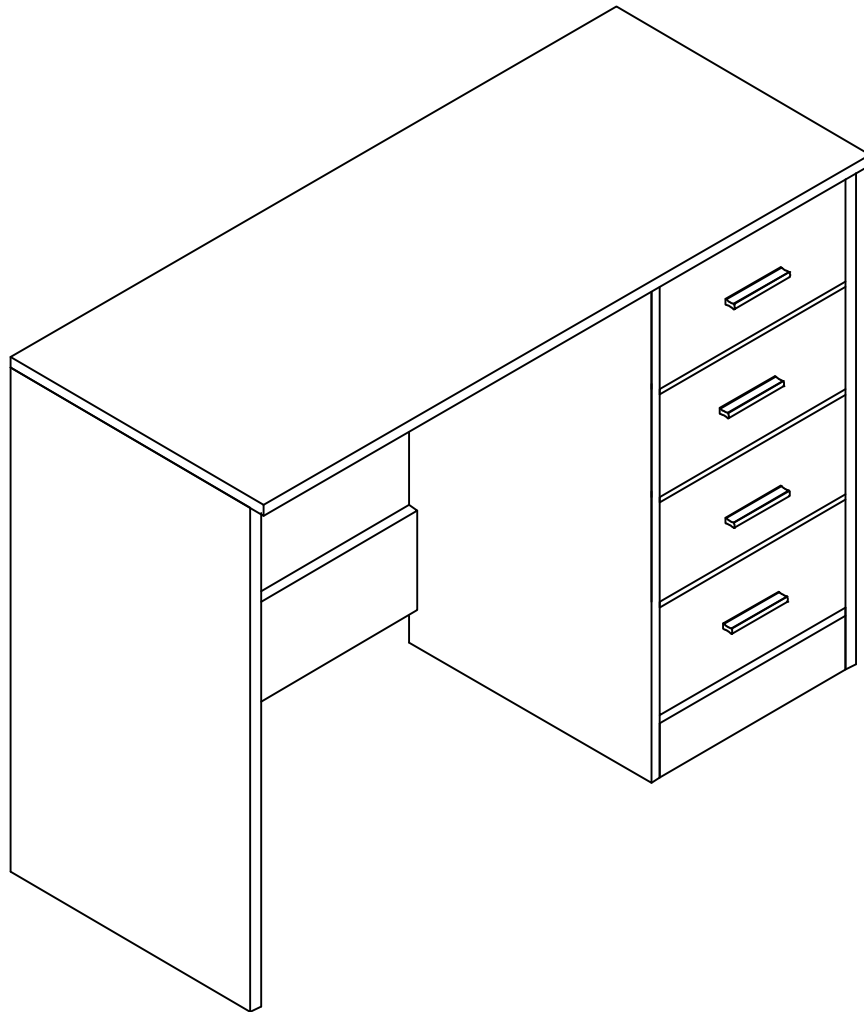


STEP 15



Your **4 DRAWER DESK** is now completely assembled

Periodically check to ensure that the components are in their proper position , free from damage Also , make sure the connectors are tight and secure.



Keep instructions for future reference

