

INSTALLATION

Product Manual



IMPORTANT INFORMATION!

please read the entire manual before starting to assemble and/or using this product, follow the manual thoroughly and keep it for further reference.



AVOID SCRATCHES!

In order to avoid scratching this furniture should be assembled on a soft layer-could be a rug.



IMPROVE EFFICIENCY !

Try to find a partner to install with you, which can speed up the installation efficiency and shorten the time.



ANTI-TOPPLE WARNING !

Overturnd furniture can cause serious or fatal crush injuries. To prevent tipping over, be sure to use the wall attachment, if not included with this product. Please purchase the wall attachment that fit your wall. If unsure, seek professional advice. Please read and follow each step of the instructions carefully.

IMPORTANT !

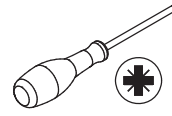
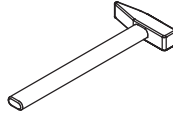
It is important that any product which is assembled using any kind of screw is re-tightened 2 weeks after assembly, and once every 3 months - in order to assure stability through-out the lifespan of the product.

For regular maintenance and cleaning of the product, for the frame, please use a rag dipped in neutral detergent to fully wipe it, and then dry it with a clean rag. For glass materials, wipe with a rag dampened with water glass cleaner, and then dry with a dry rag.

Do not use an electric screwdriver, and do not use too much force when installing, because the board is easy to break.

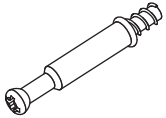


Please prepare the following tools



When installing, please carefully confirm whether each screw corresponds to the manual, accessories with similar shapes can be distinguished by size

A x 80+4



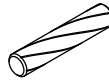
Ø6 x 35 mm

B x 92+4



Ø15 x 9 mm

C x 84+4



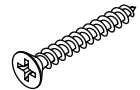
Ø6 x 30 mm

D x 38+4



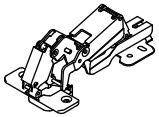
Ø3 x 12 mm

E x 26+3



Ø4 x 35 mm

F x 4



G x 48+4



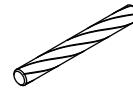
Ø3 x 14 mm

H x 40+4



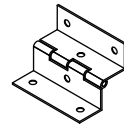
Ø4 x 14 mm

J x 9+1

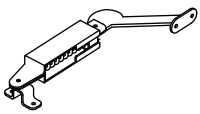


Ø6 x 50 mm

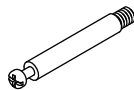
K x 2



L x 1



M x 12+1



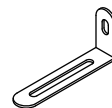
Ø7 x 60 mm

N x 48+4



Ø10 x 10 mm

O x 2



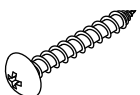
Ø73 x 25 mm

P x 2



Ø4 x 12 mm

Q x 2



Ø4 x 35 mm

R x 2



Ø6 x 30 mm

S x 32+3

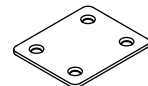


Ø20 mm

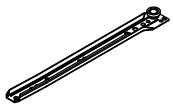
T x 12+1



U x 4



CL x 2



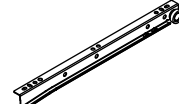
CR x 2

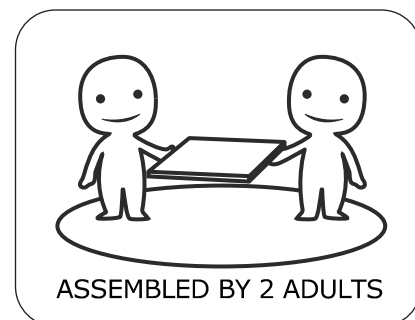
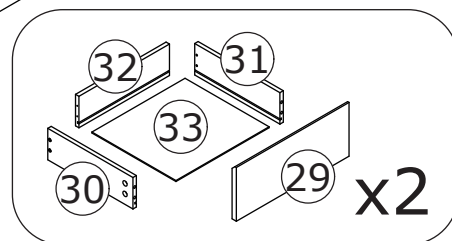
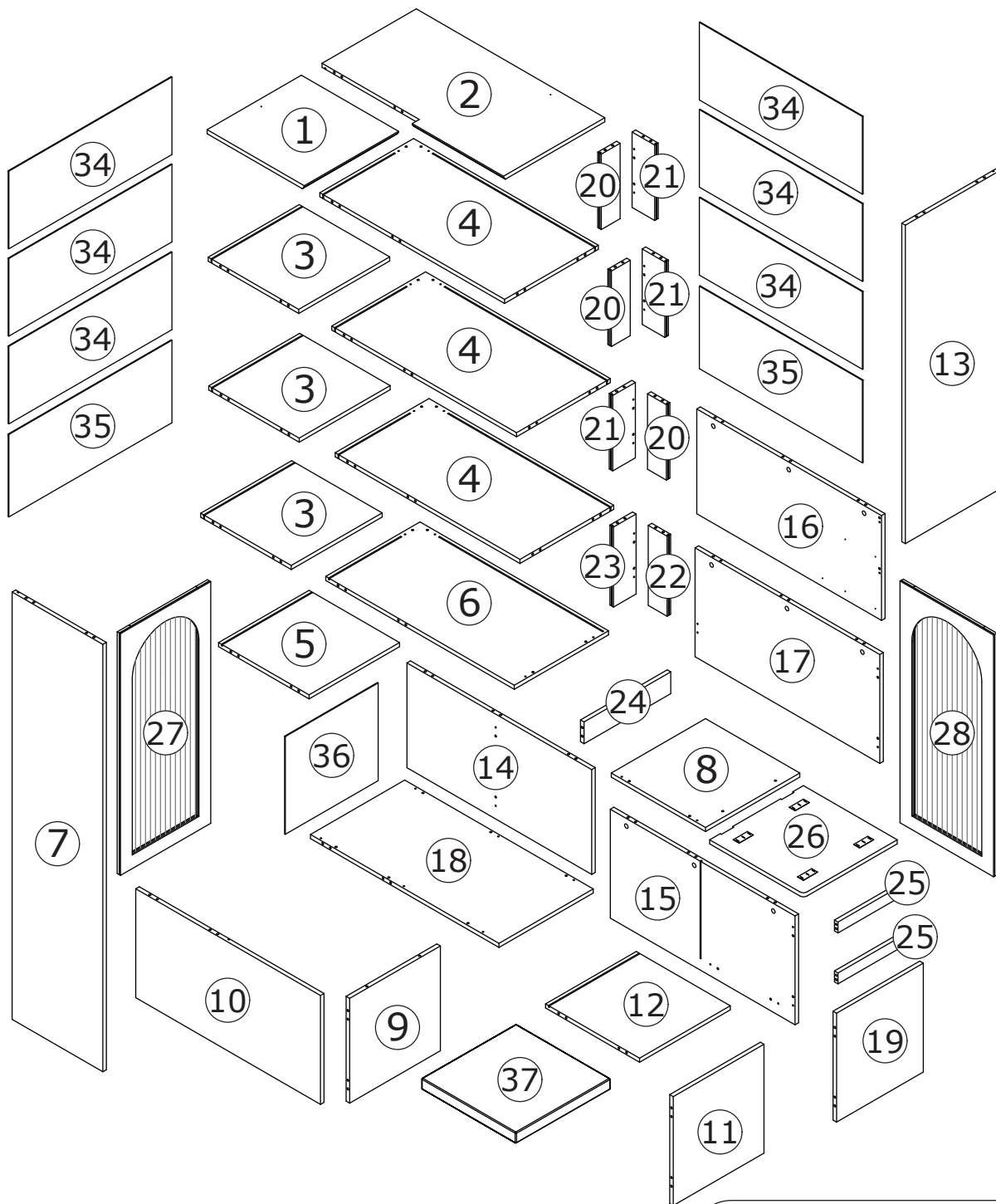


DL x 2



DR x 2





⚠ WARNING



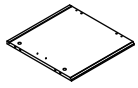
Children have died from furniture tipover. To reduce the risk of furniture tipover:

- ALWAYS install Anti-tip device provided.
- NEVER put a TV on this product.
- NEVER allow children to stand, climb or hang on drawers, doors, or shelves.
- NEVER open more than one drawer at a time.
- Place heaviest items in the lowest drawers.

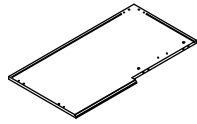


*This is a permanent label.
Do not remove!*

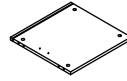
① x1



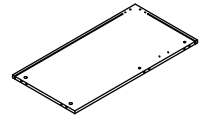
② x1



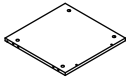
③ x3



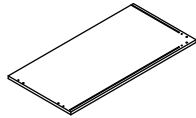
④ x3



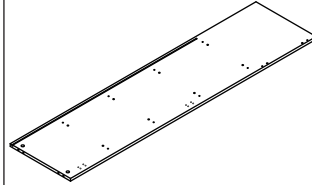
⑤ x1



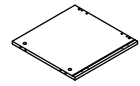
⑥ x1



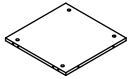
⑦ x1



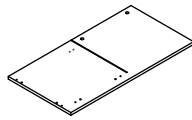
⑧ x1



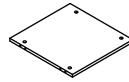
⑨ x1



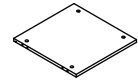
⑩ x1



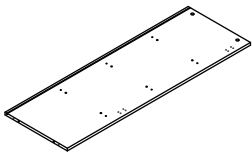
⑪ x1



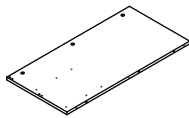
⑫ x1



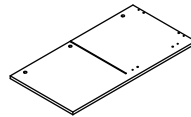
⑬ x1



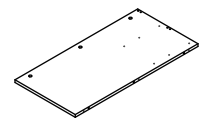
⑭ x1



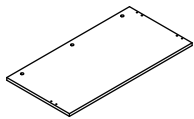
⑮ x1



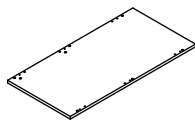
⑯ x1



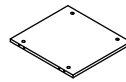
⑰ x1



⑱ x1



⑲ x1



⑳ x3



㉑ x3



㉒ x1



㉓ x1



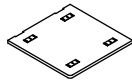
㉔ x1



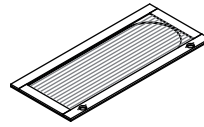
25 x2



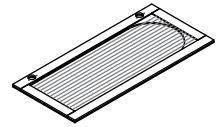
26 x1



27 x1



28 x1



29 x2



30 x2



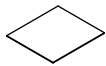
31 x2



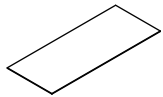
32 x2



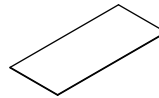
33 x2



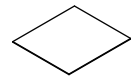
34 x6



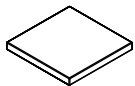
35 x2



36 x1

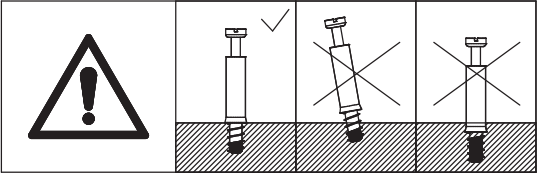


37 x1

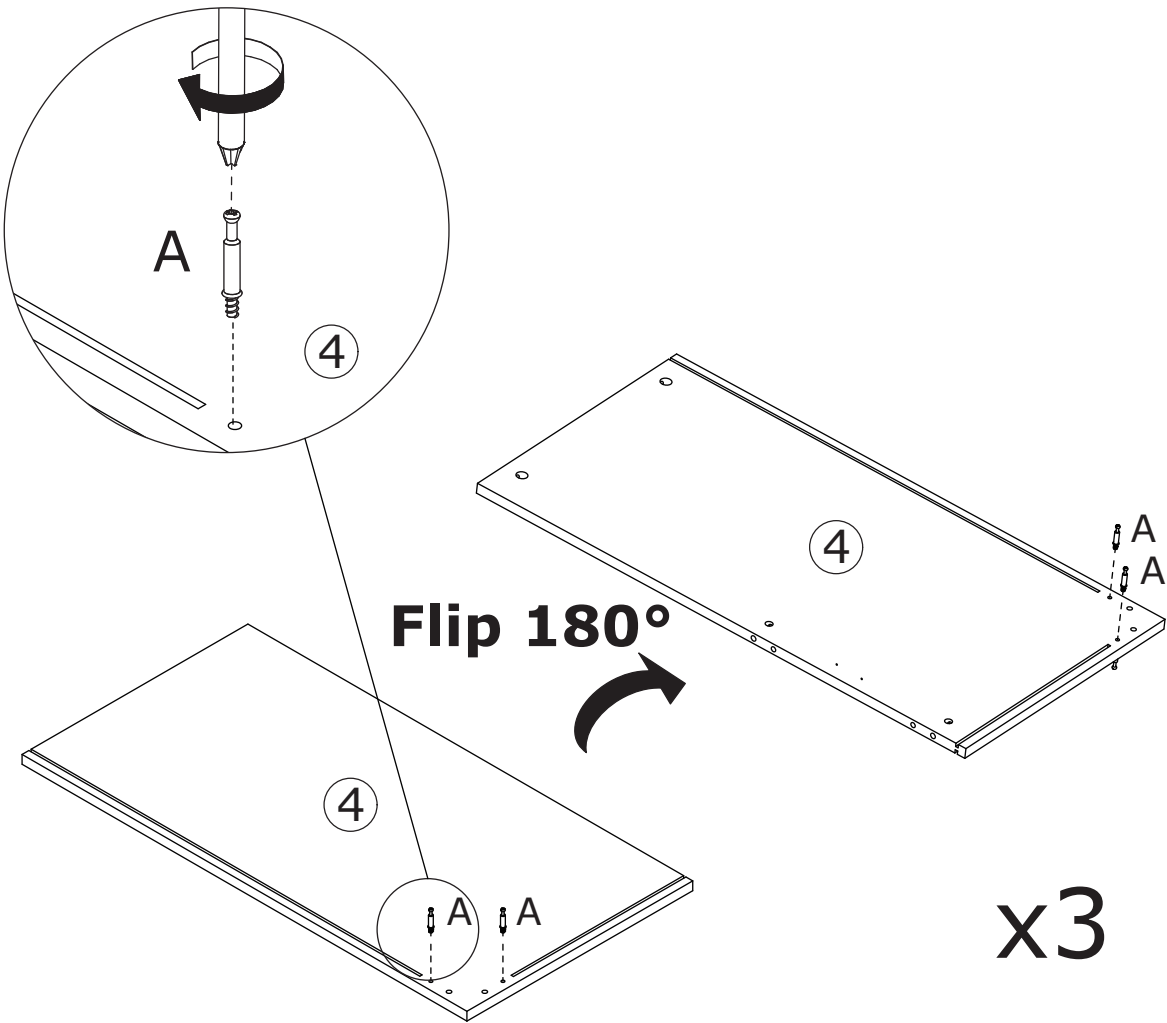


1

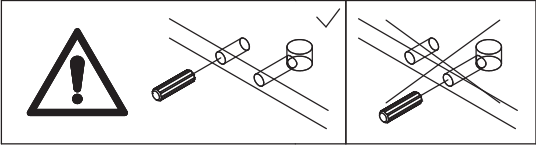
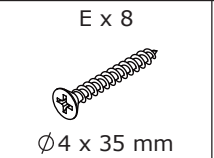
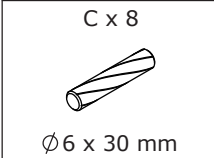
A x 12
Ø6 x 35 mm



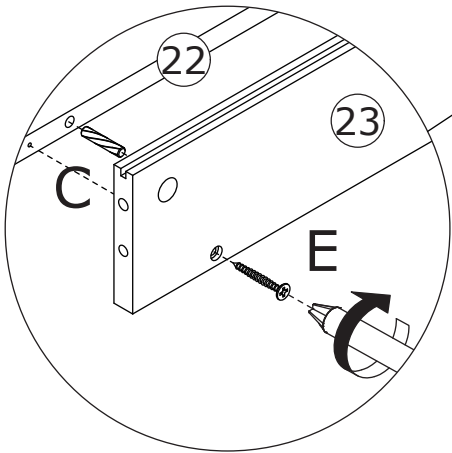
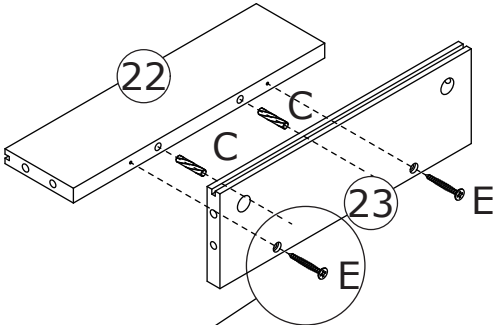
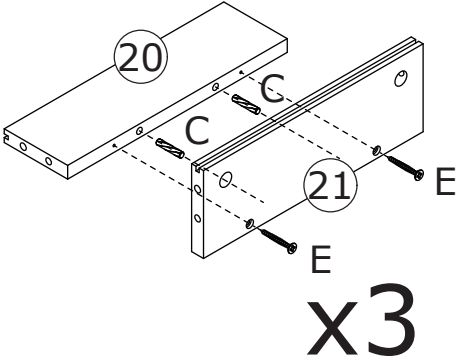
Screw eccentric rod(A) onto board 4 as shown.



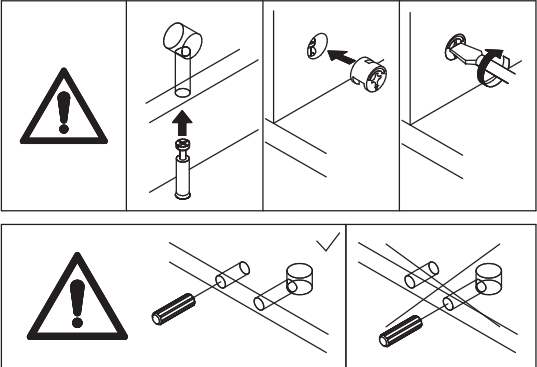
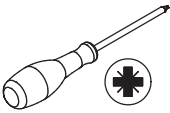
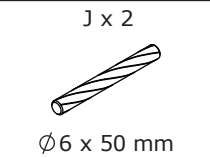
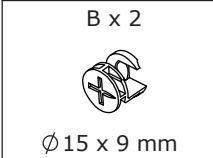
2



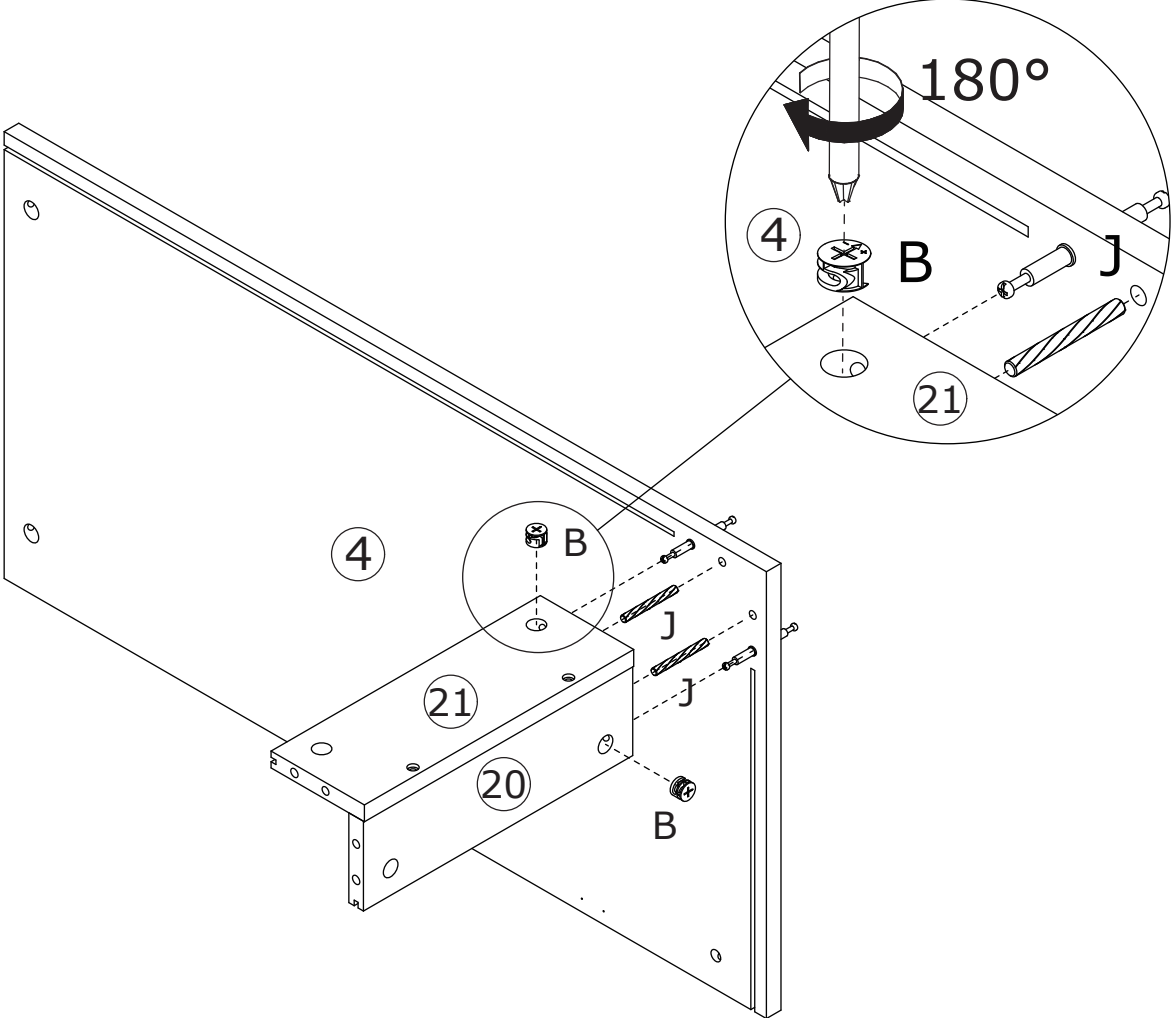
Connect board 20 to board 21, and board 22 to board 23 respectively using wooden dowel(C), then secure them with screw(E) as shown.



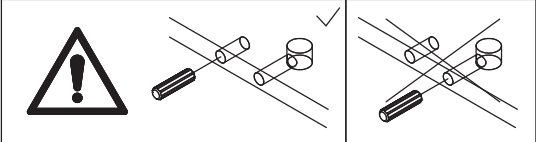
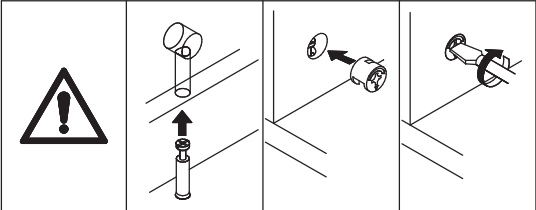
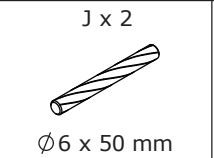
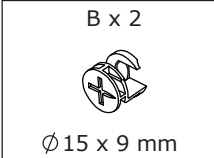
3



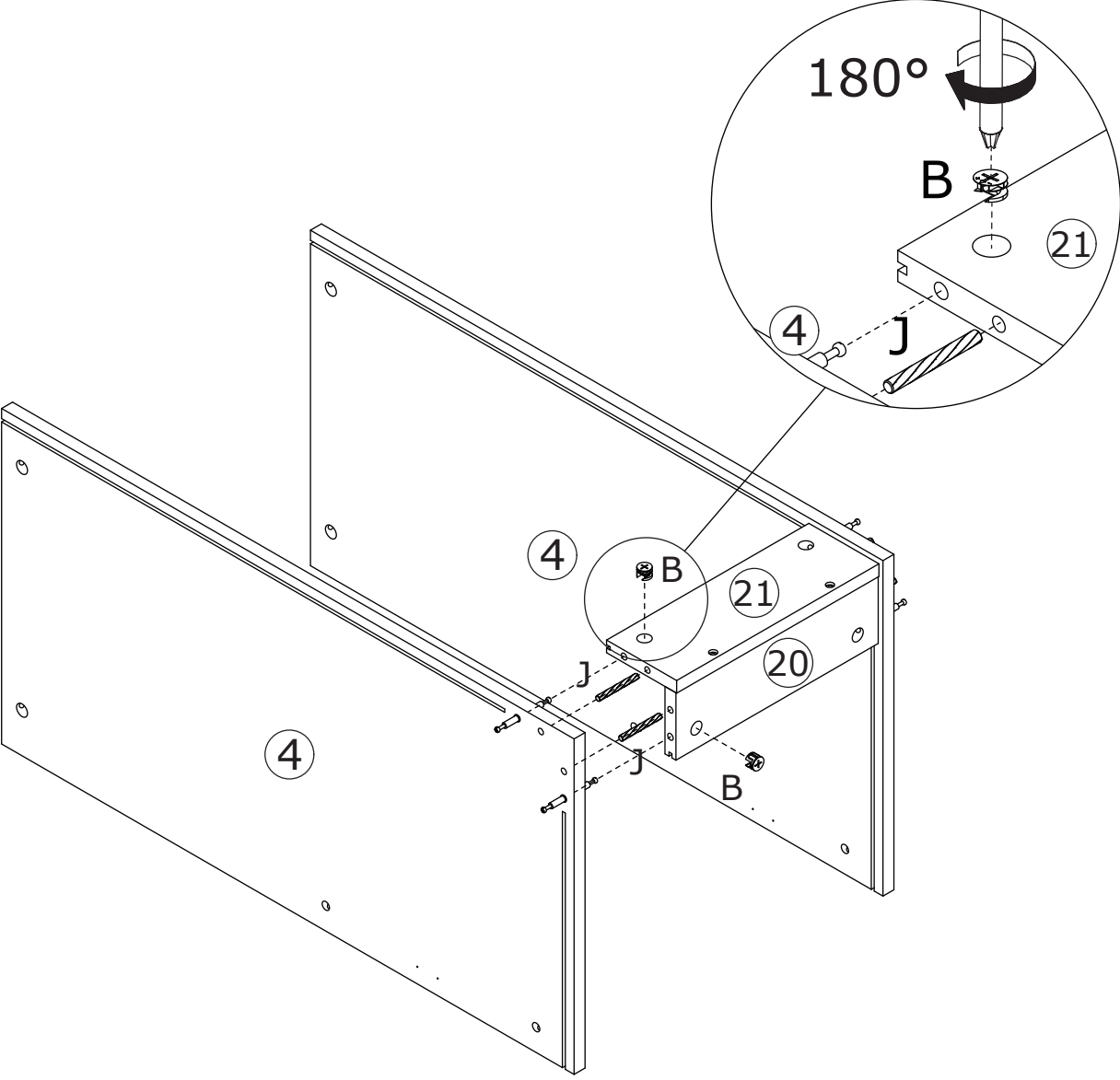
Connect board 20 and 21 to board 4 using longer wooden dowel(J), then tighten by turning eccentric wheel(B) clockwise as shown.



4

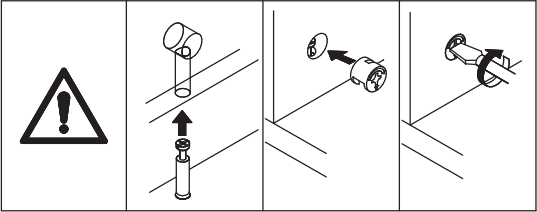
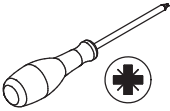


Connect board 4 to board 20 and 21 using longer wooden dowel(J), then tighten by turning eccentric wheel(B) clockwise as shown.

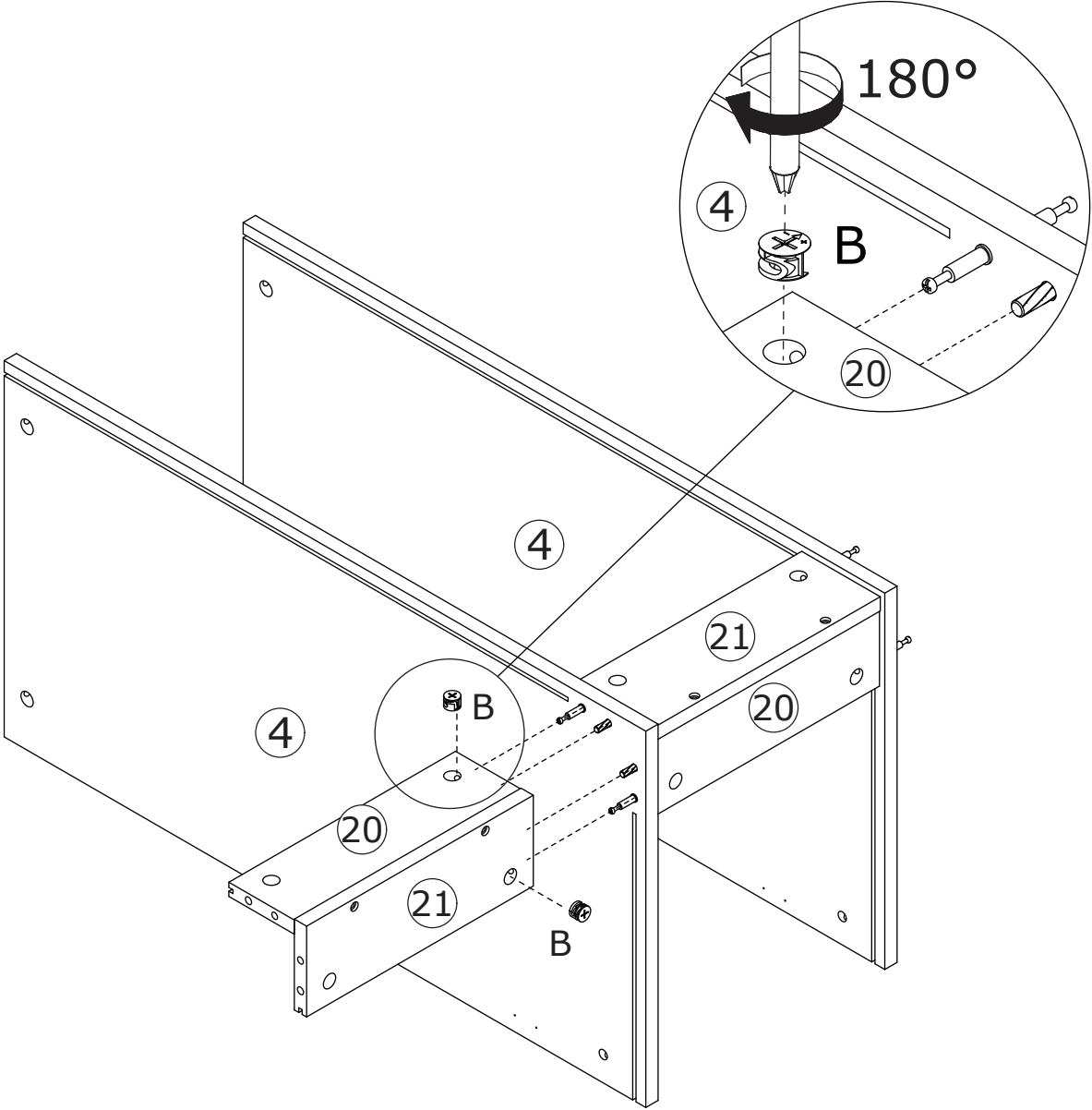


5

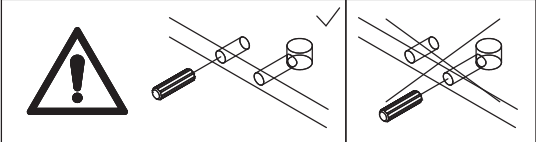
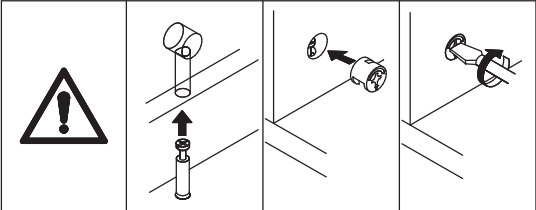
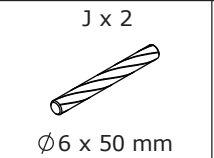
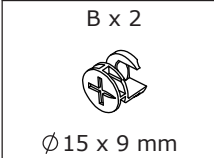
B x 2
Ø15 x 9 mm



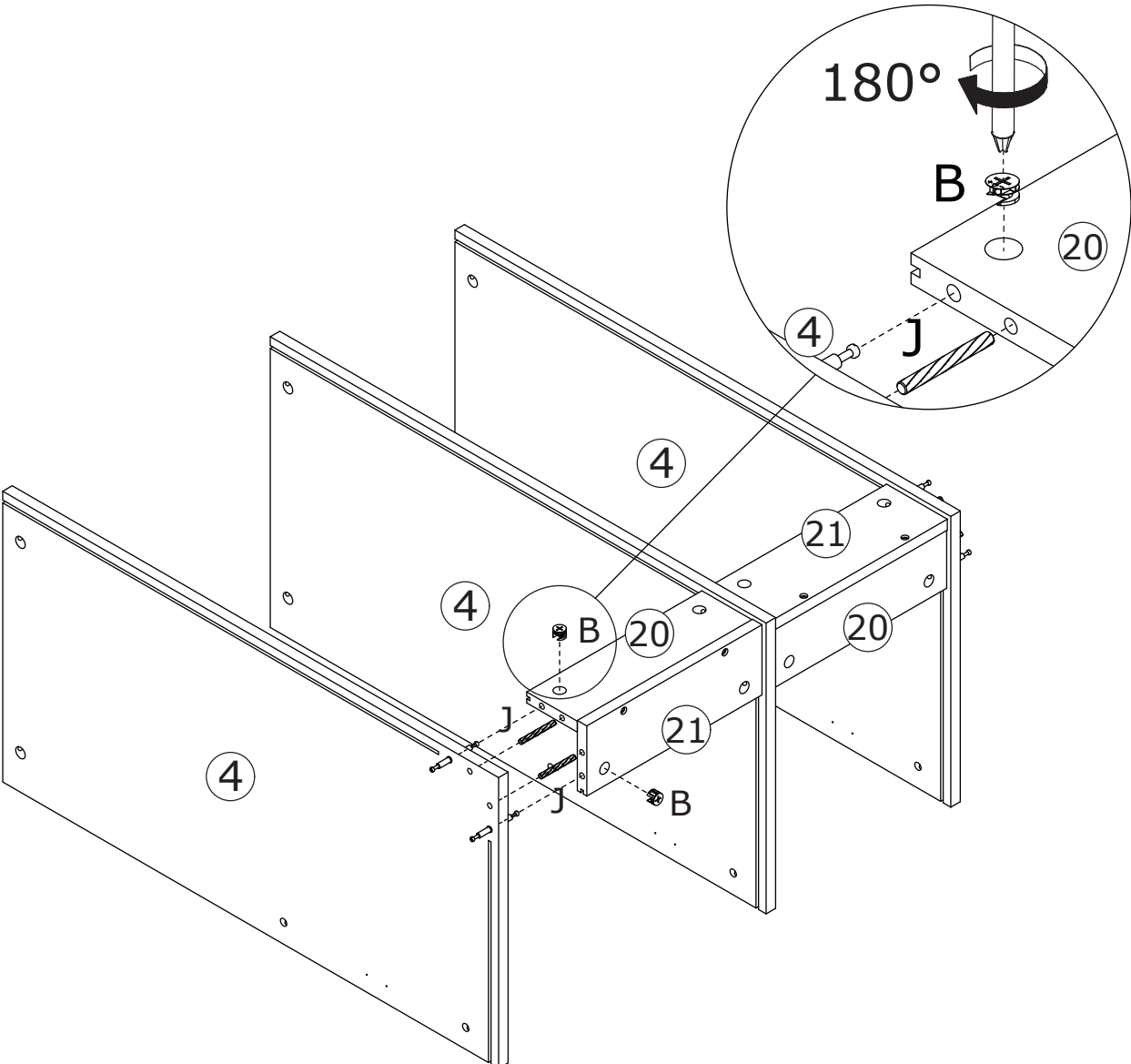
Connect board 20 and 21 to board 4, then tighten by turning eccentric wheel(B) clockwise as shown.



6



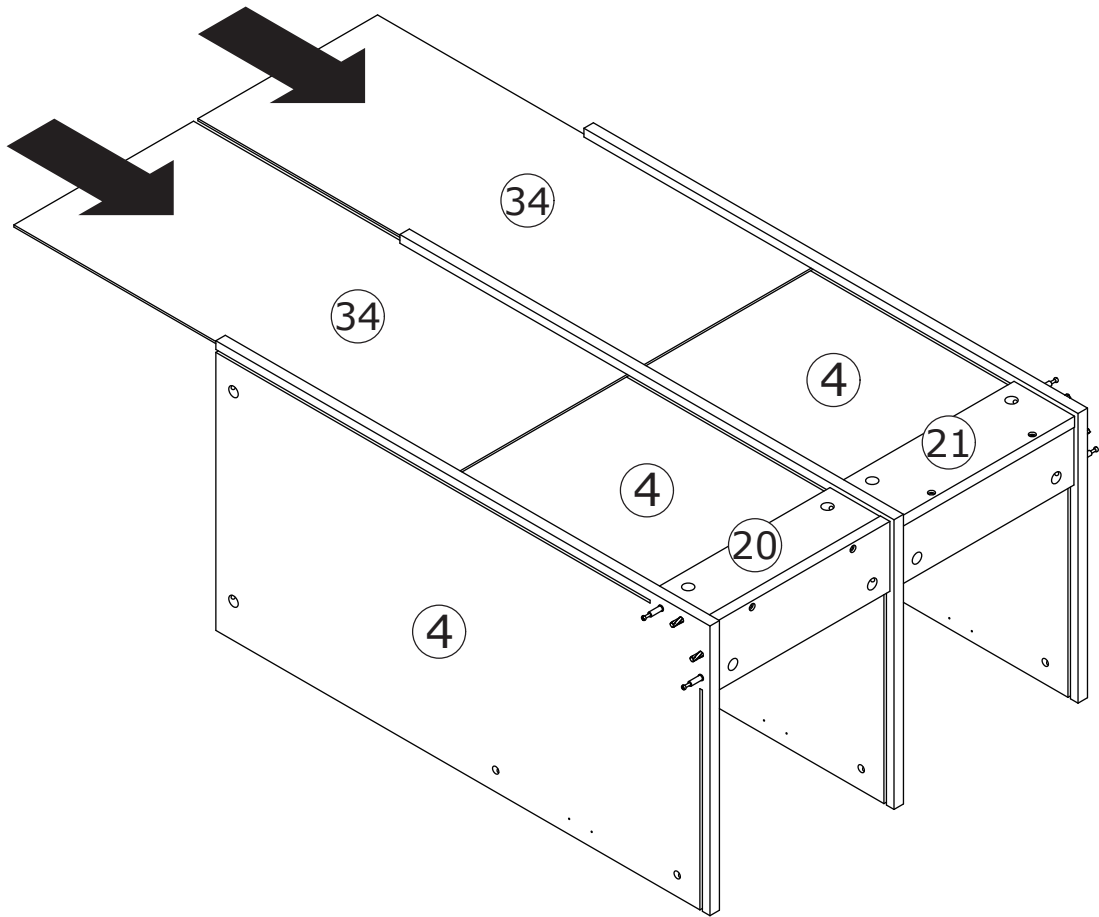
Connect board 4 to board 20 and 21 using longer wooden dowel(J), then tighten by turning eccentric wheel(B) clockwise as shown.



7

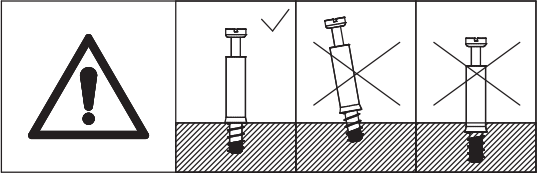


Slide back board 34 along the available grooves as shown.

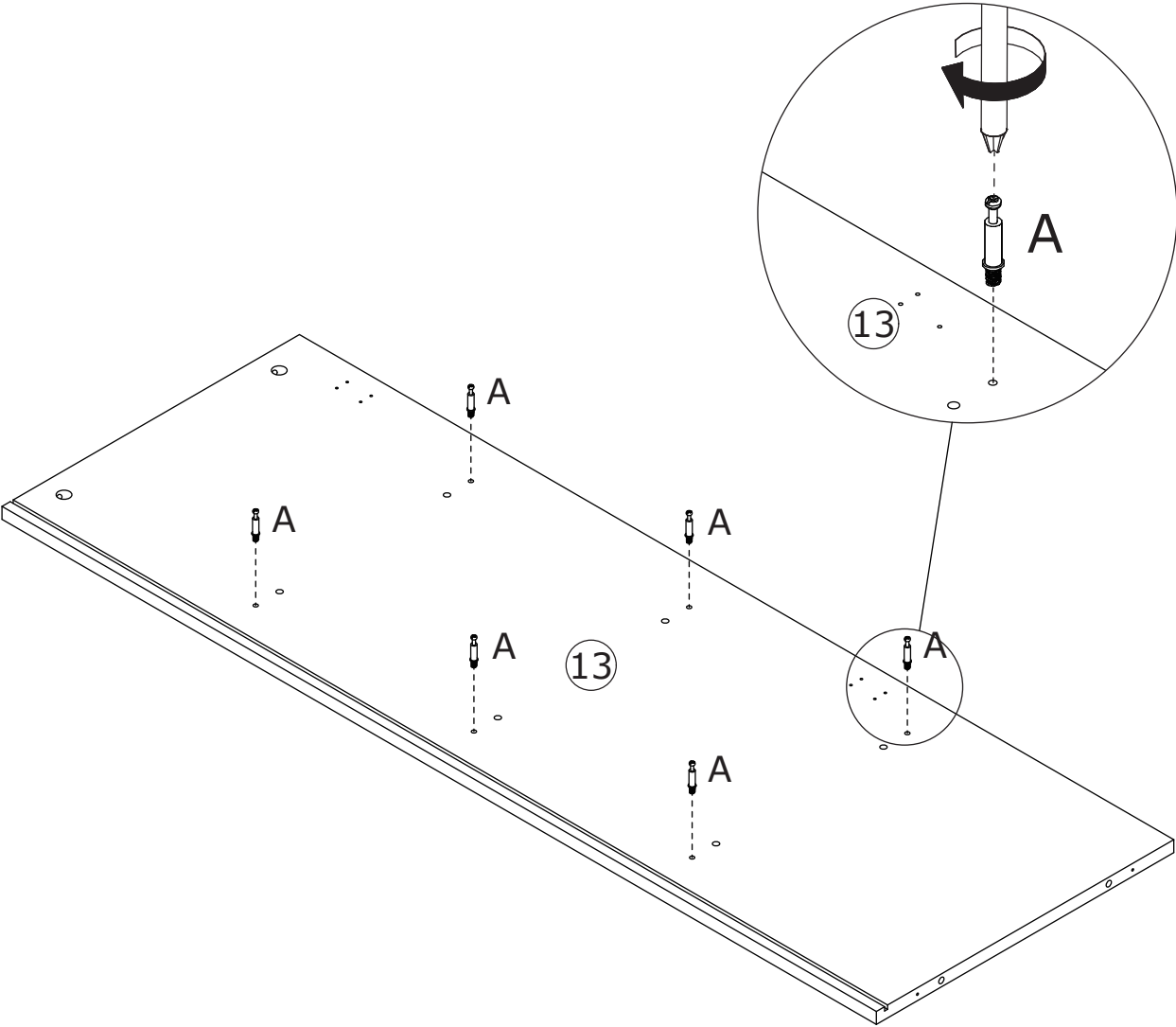


8

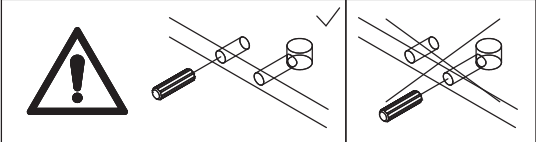
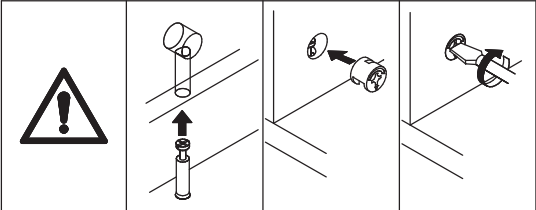
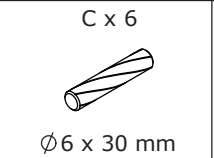
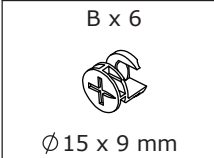
A x 6
Ø6 x 35 mm



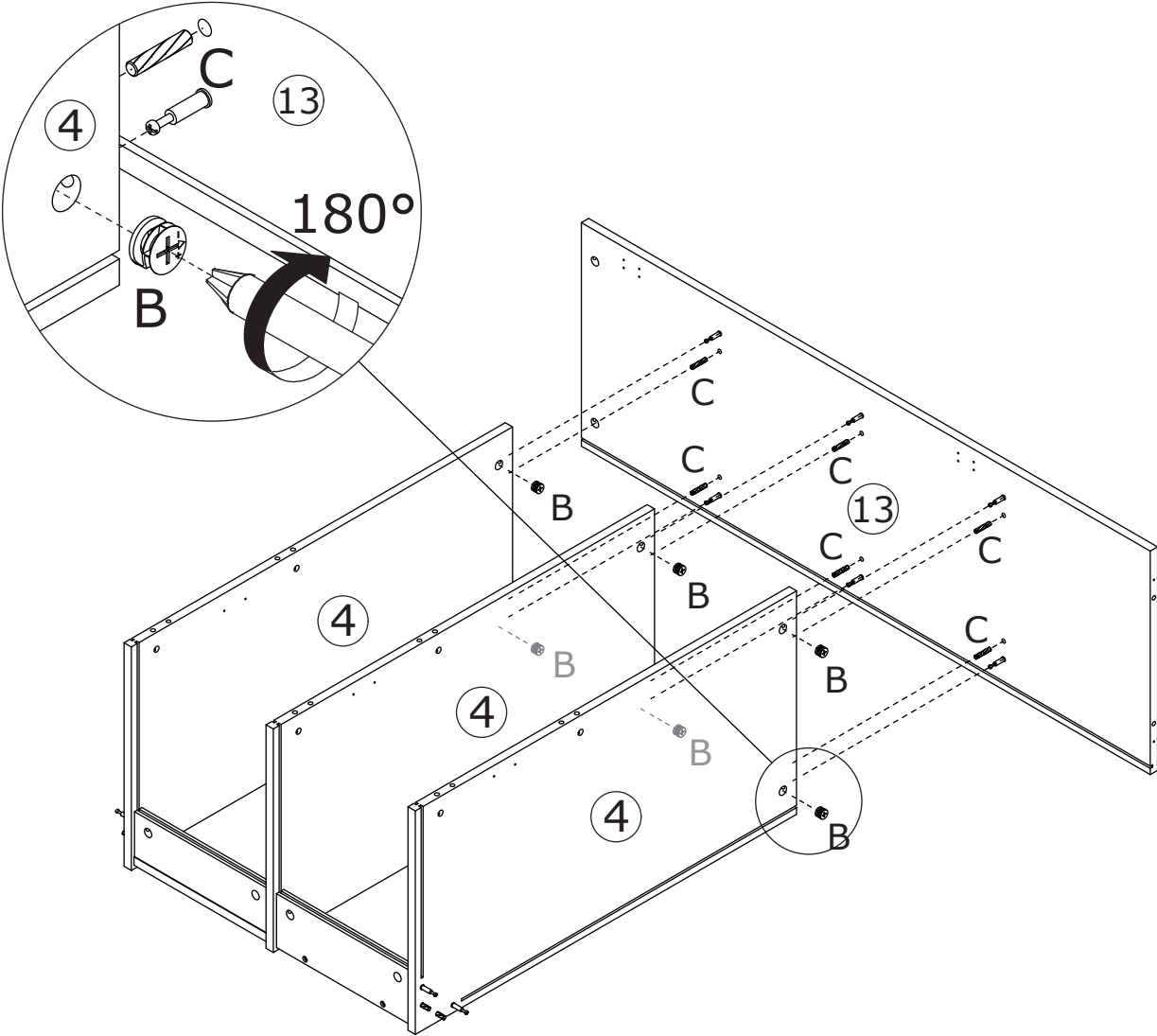
Screw eccentric rod(A) onto board 13 as shown.



9

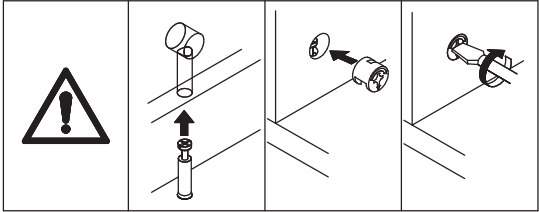


Connect board 13 to board 4 using wooden dowel(C), then tighten by turning eccentric wheel(B) clockwise as shown.

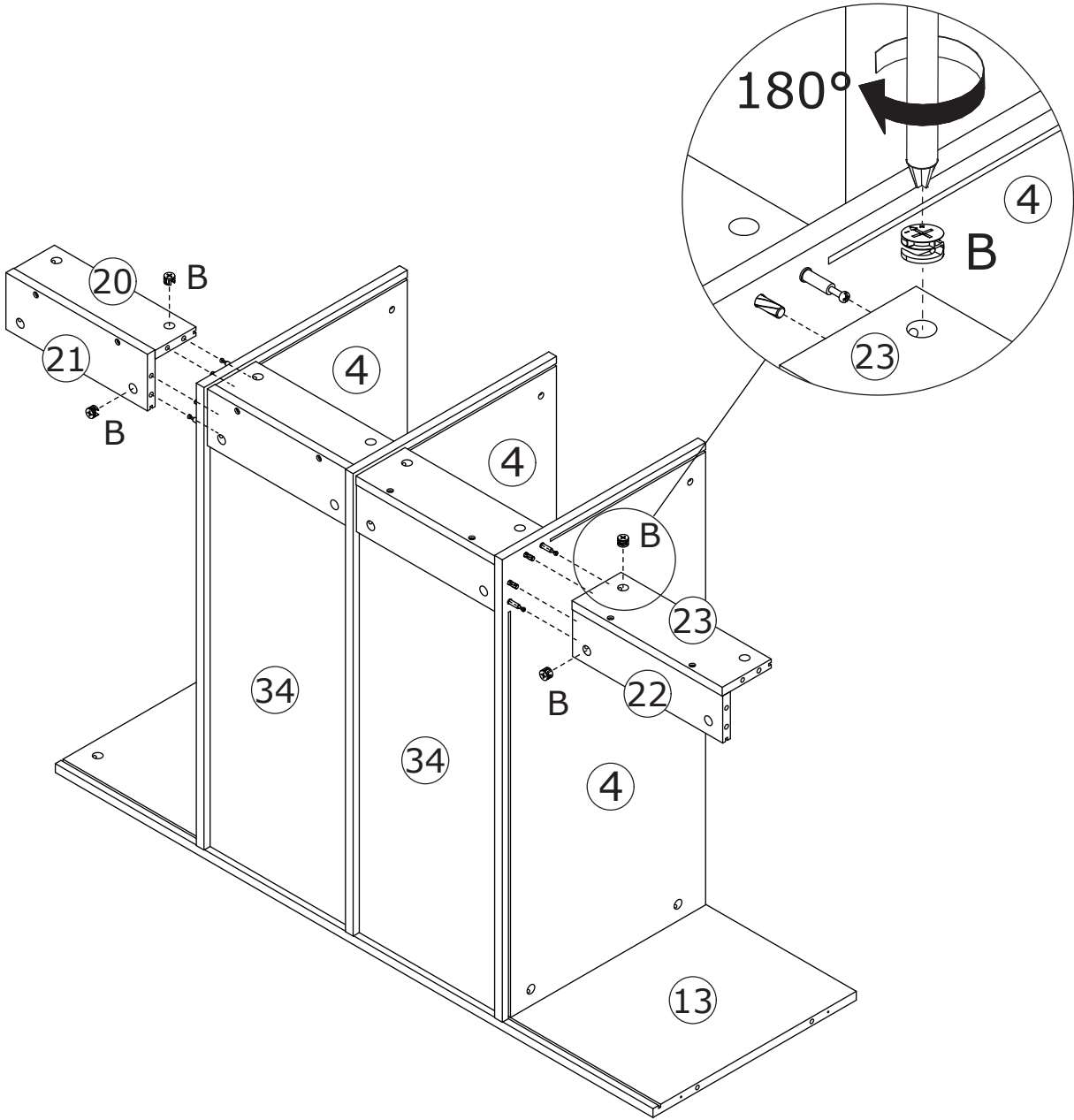


10

B x 4
Ø15 x 9 mm

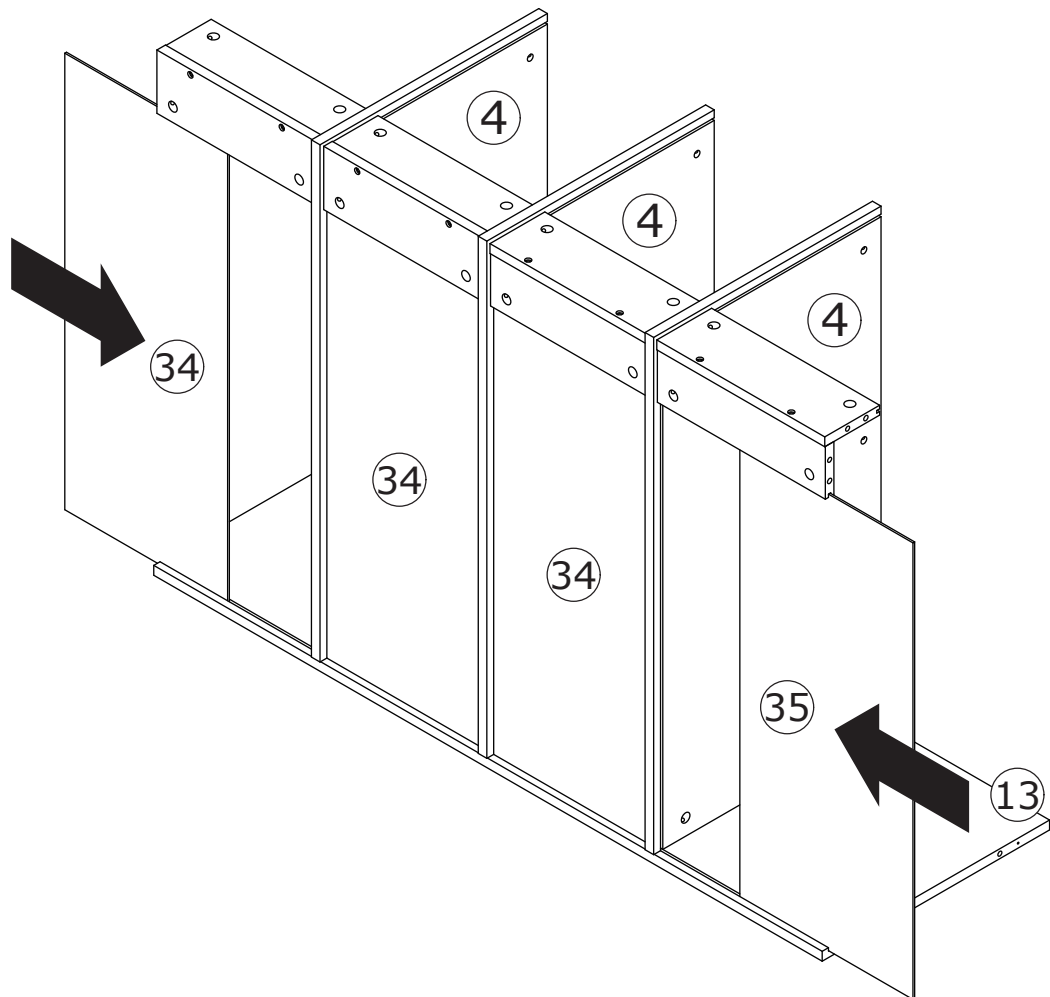


Connect board 20, 21, 22, and 23 to board 4, then tighten by turning eccentric wheel(B) clockwise as shown.

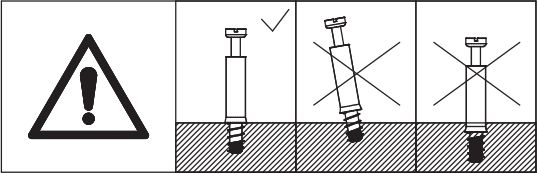
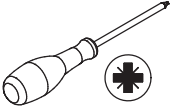
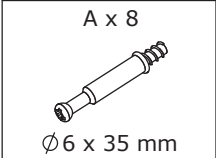


11

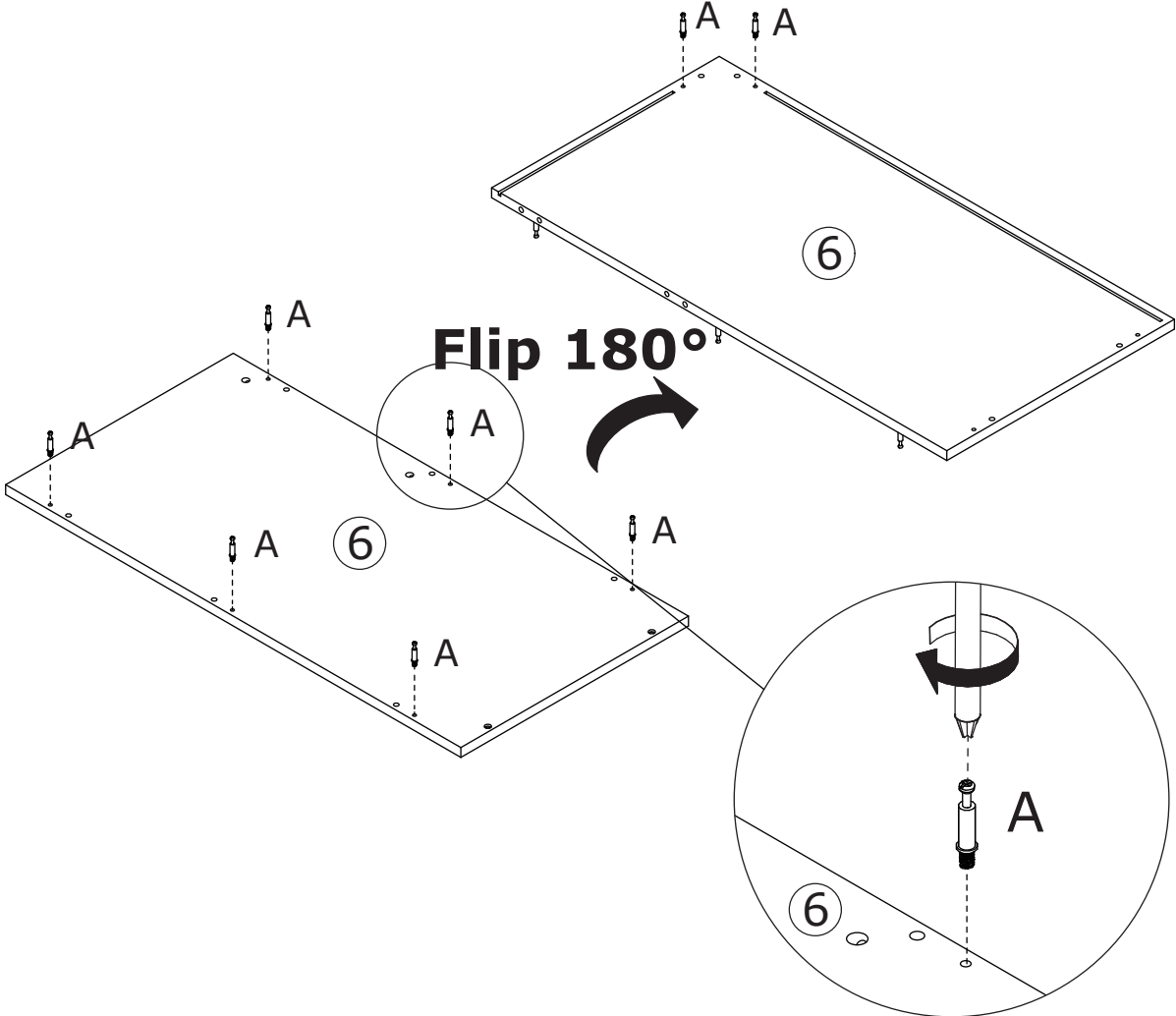
Slide back board 34 and 35 along the available grooves as shown.




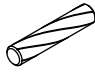

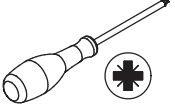

12

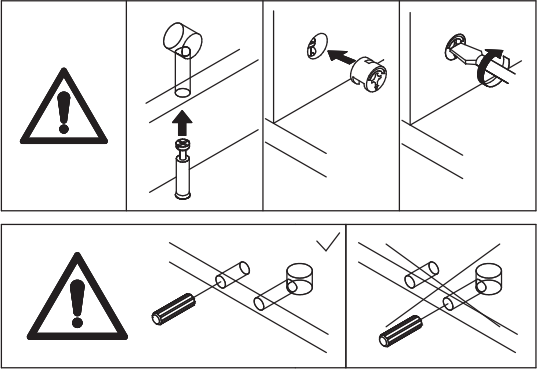


Screw eccentric rod(A) onto board 6 as shown.

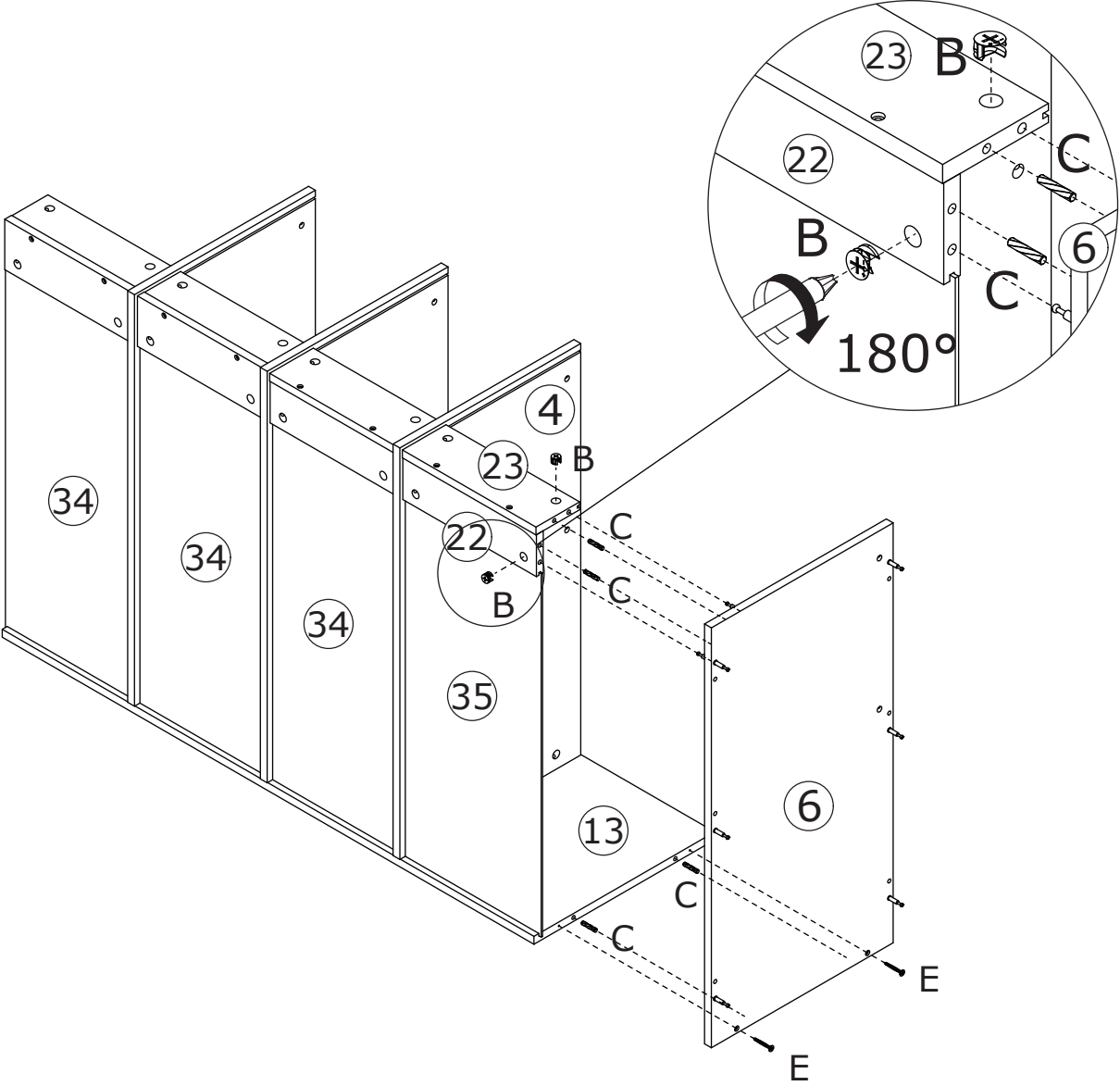


13

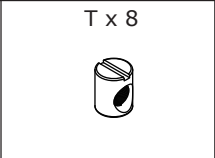
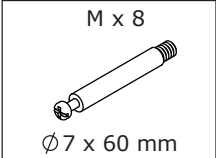
<p>B x 2</p>  <p>Ø15 x 9 mm</p>	<p>C x 4</p>  <p>Ø6 x 30 mm</p>	<p>E x 2</p>  <p>Ø4 x 35 mm</p>	 
--	--	--	---



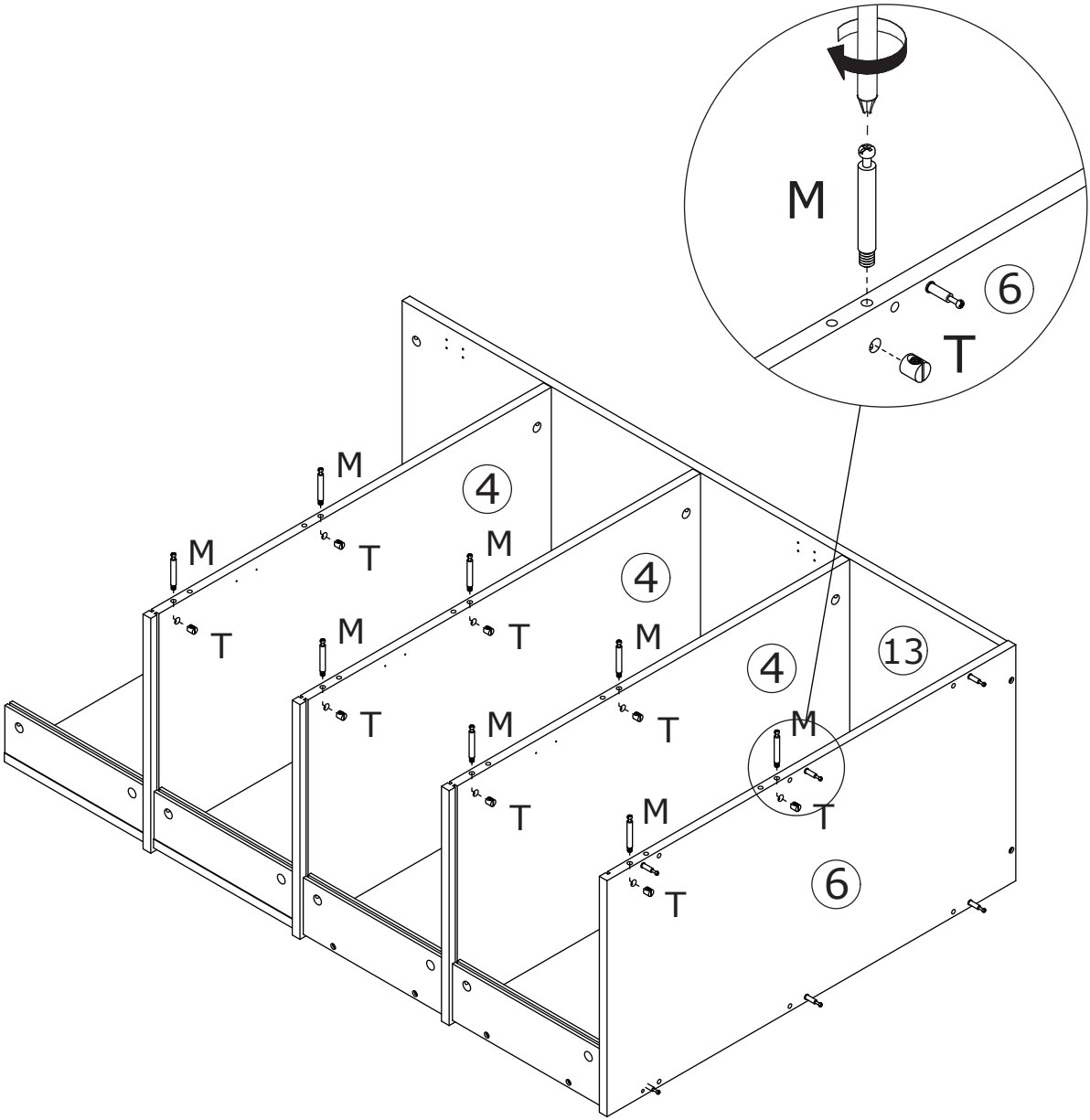
Connect board 6 to board 23, 23, and 13 using wooden dowel(C), then tighten by turning eccentric wheel(B) clockwise as shown.
Secure board 6 to board 13 using screw(E) as shown.



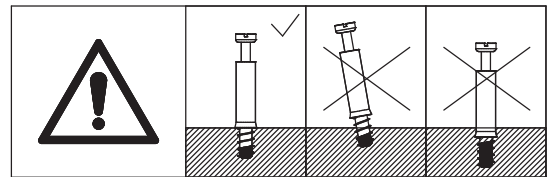
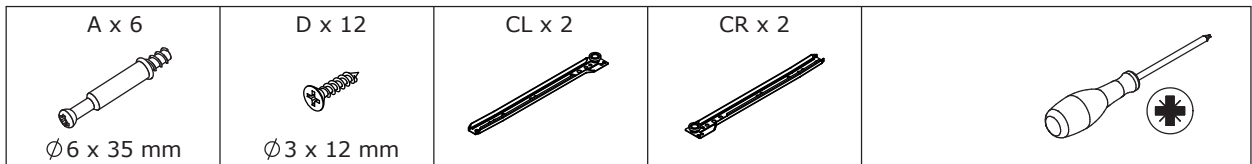
14



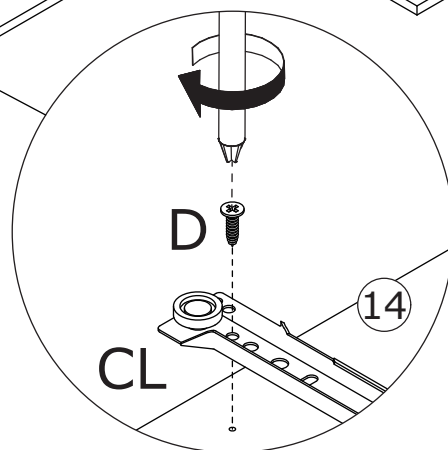
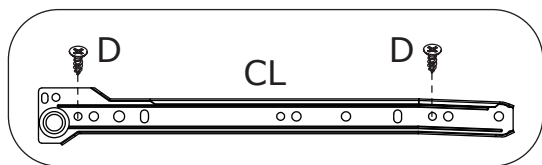
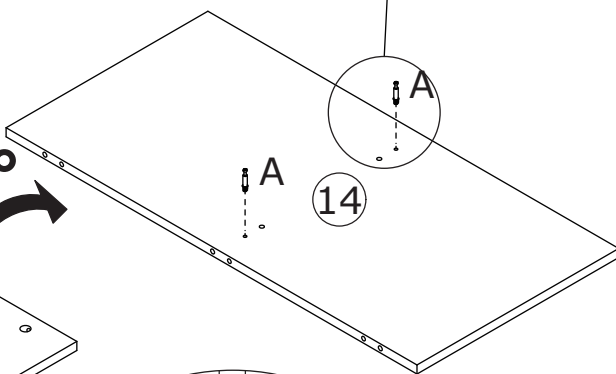
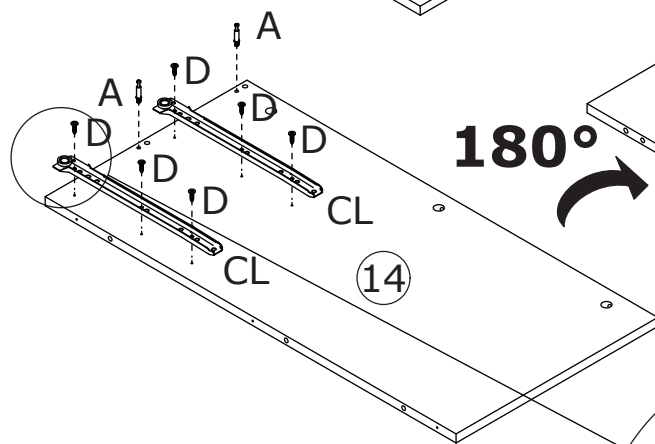
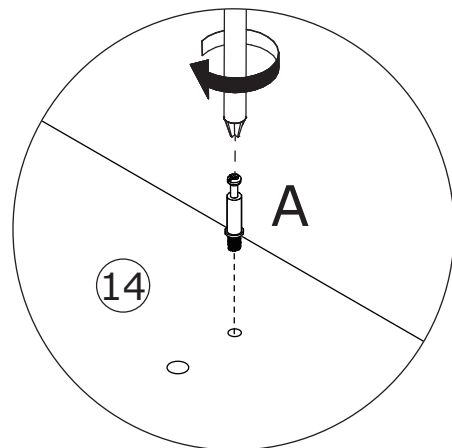
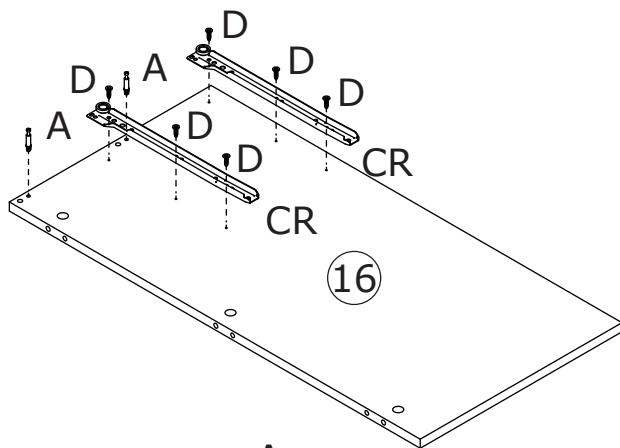
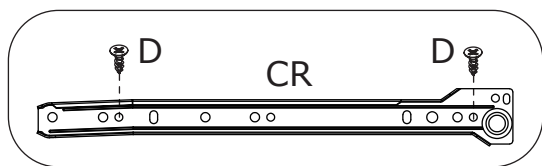
Insert the hammer nut(T) into board 4 and 6.
Screw cam bolt(M) into the hammer nuts and rotate them clockwise to tighten as shown.



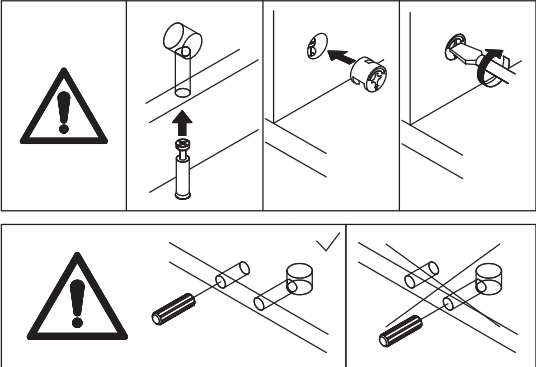
15



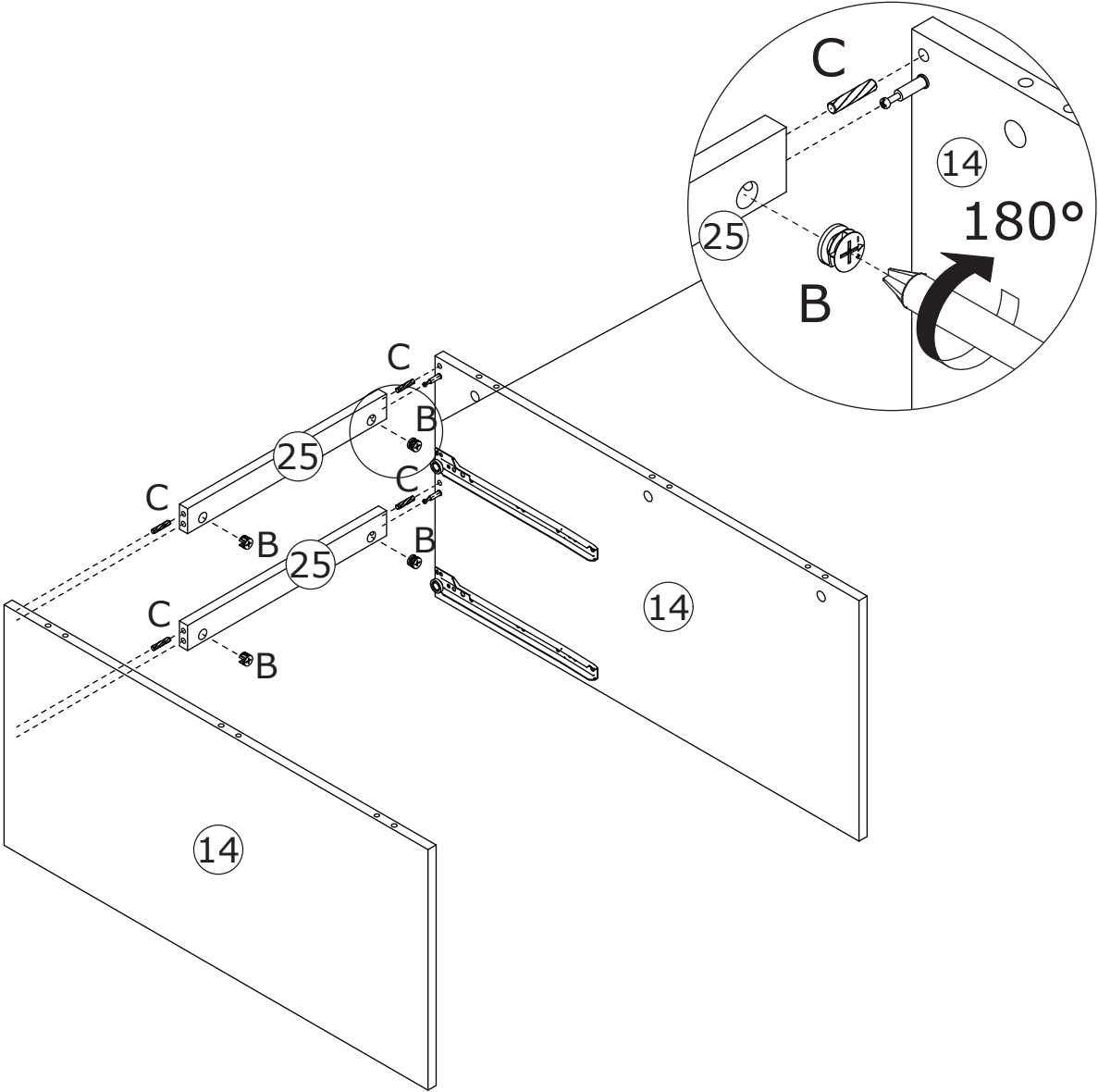
Secure slide rail(CR) and (CL) to board 16 and 14 using screw(D) as shown.
Flip board 14 to back, screw eccentric rod(A) onto as shown.



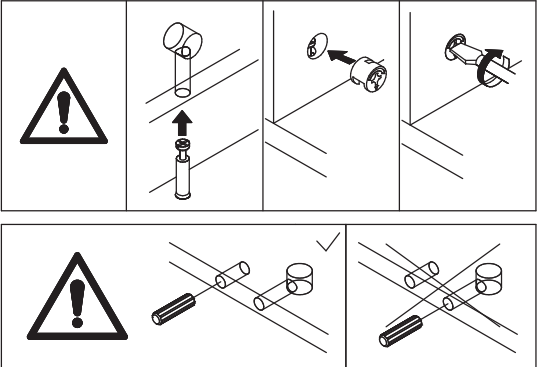
16



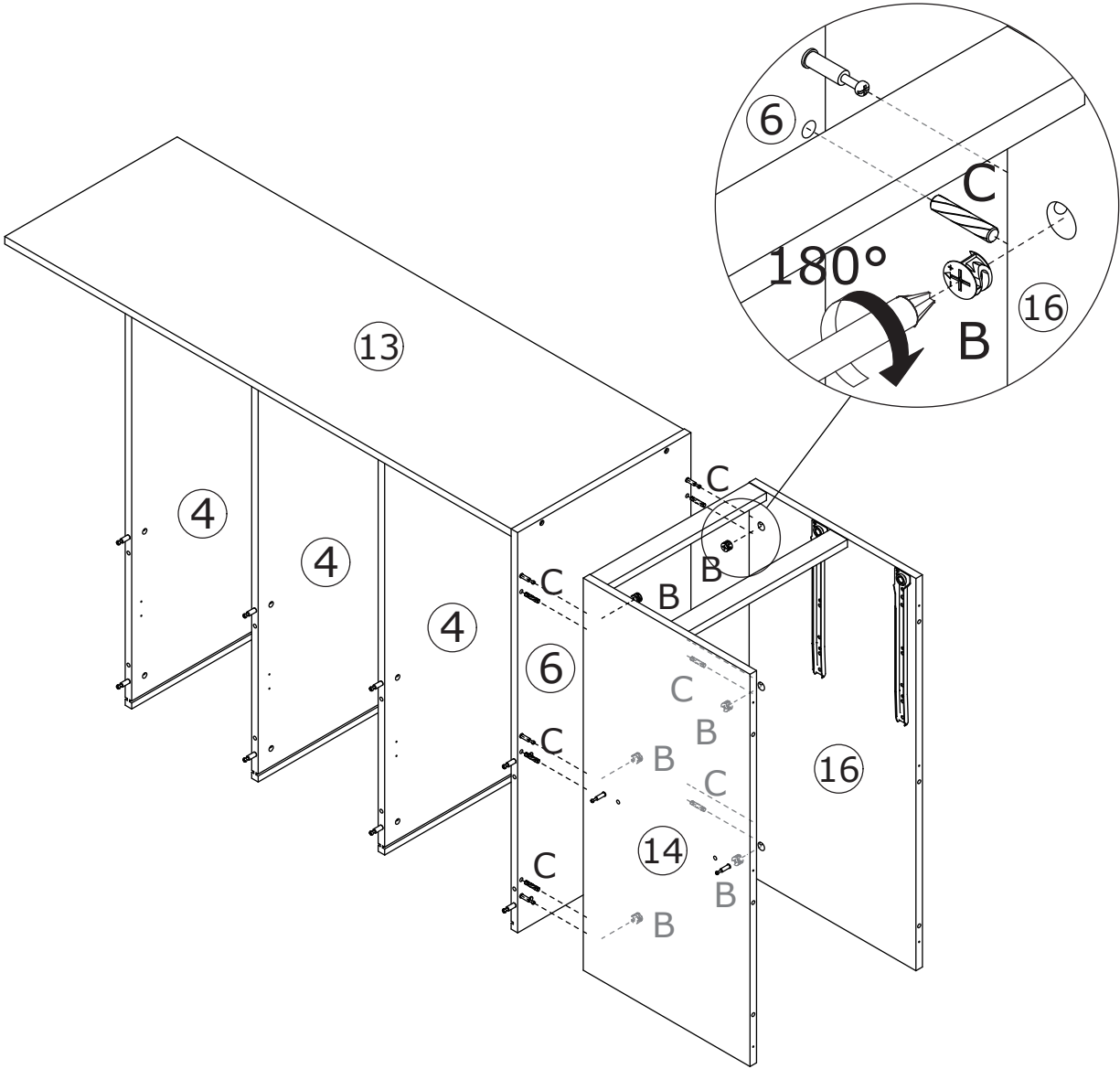
Connect board 25 to board 14 and 16 using wooden dowel(C), then tighten by turning eccentric wheel(B) clockwise as shown.



17



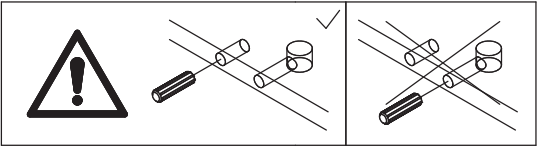
Connect the component to board 6 using wooden dowel(C), then tighten by turning eccentric wheel(B) clockwise as shown.



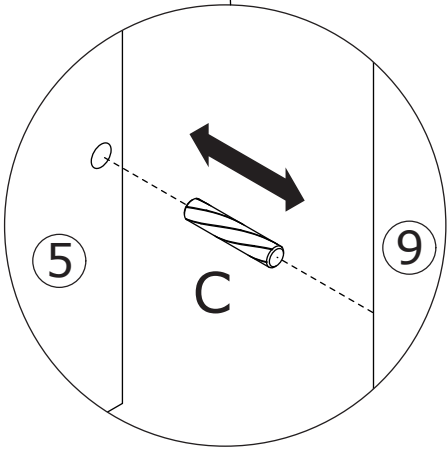
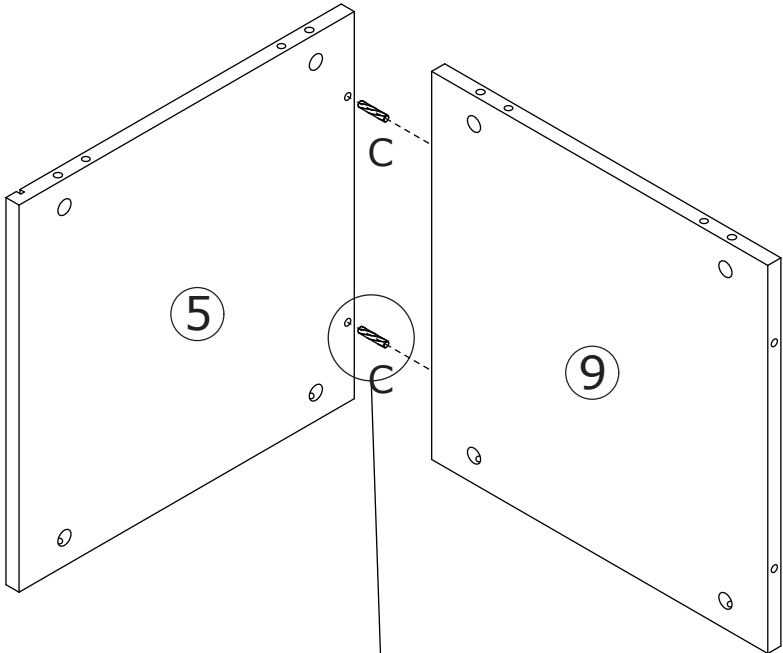
18

C x 2

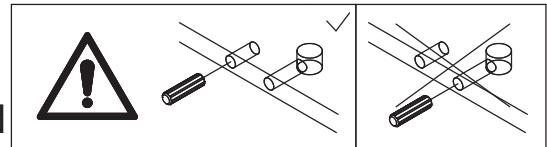
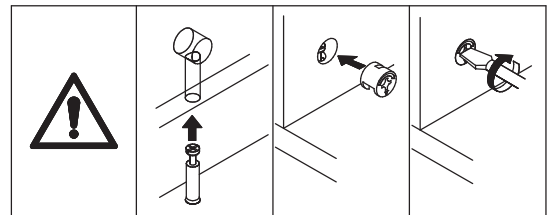
Ø6 x 30 mm



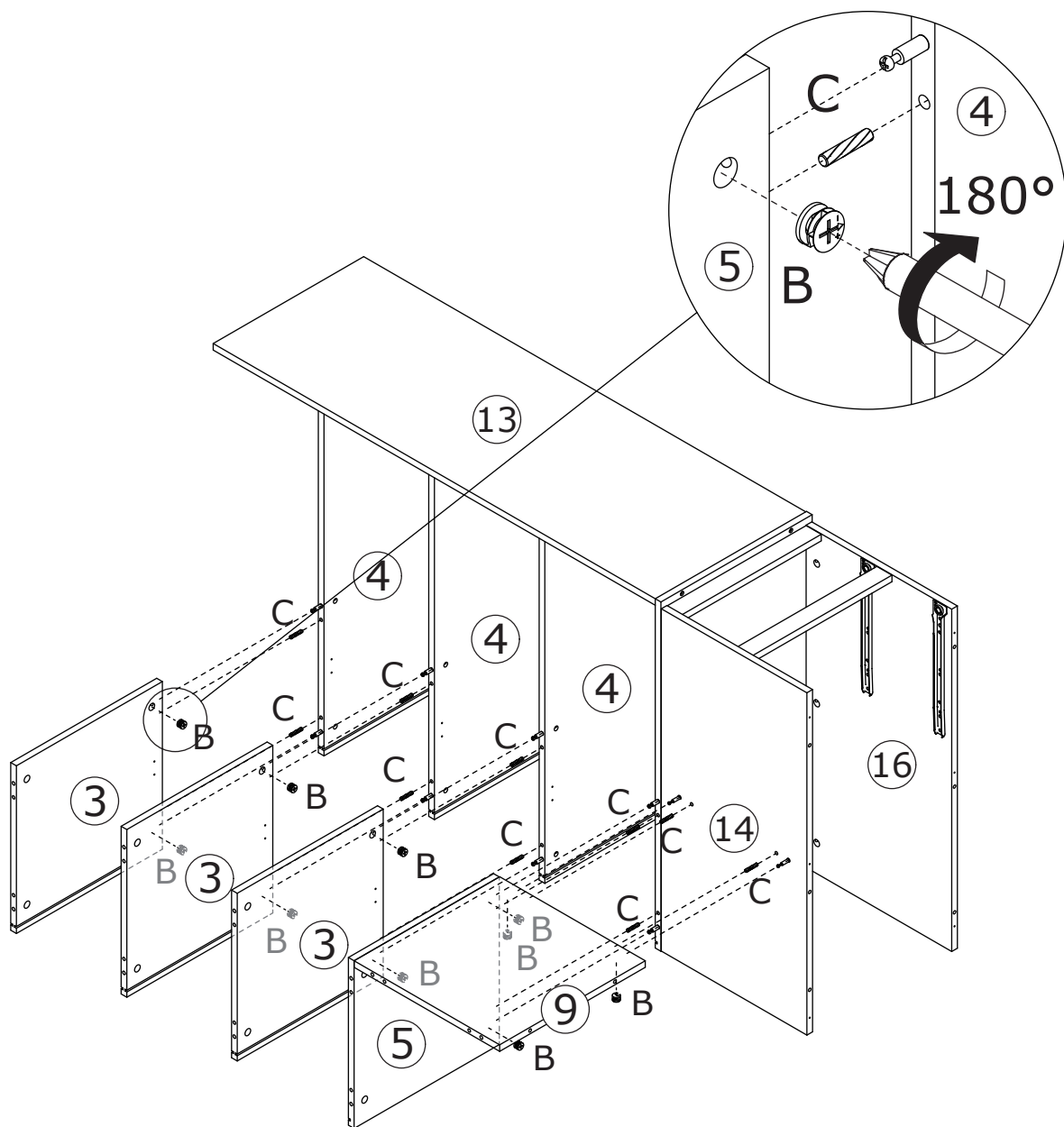
Connect board 5 and 9 using wooden dowel(C) as shown.



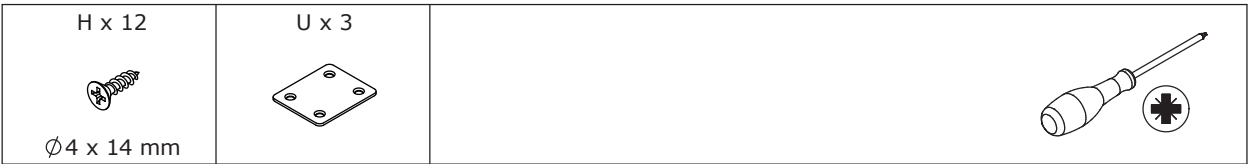
19



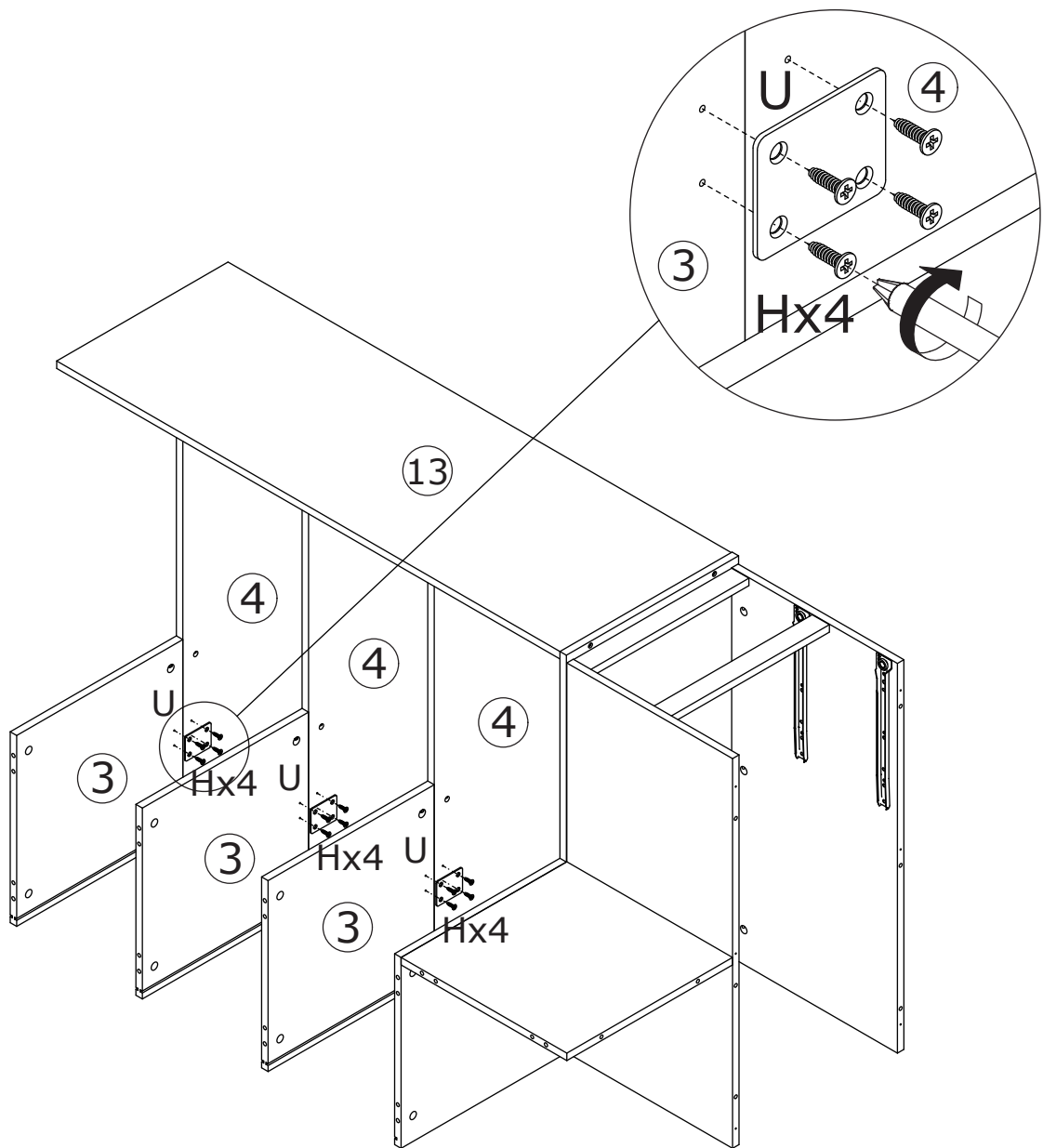
Connect board 3, 5, and 9 to board 4, 6, and 14 using wooden dowel(C), then tighten by turning eccentric wheel(B) clockwise as shown.



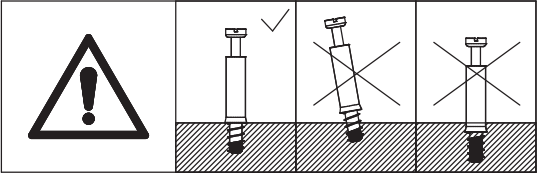
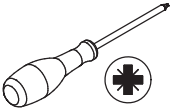
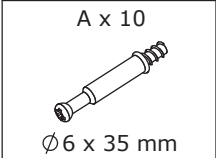
20



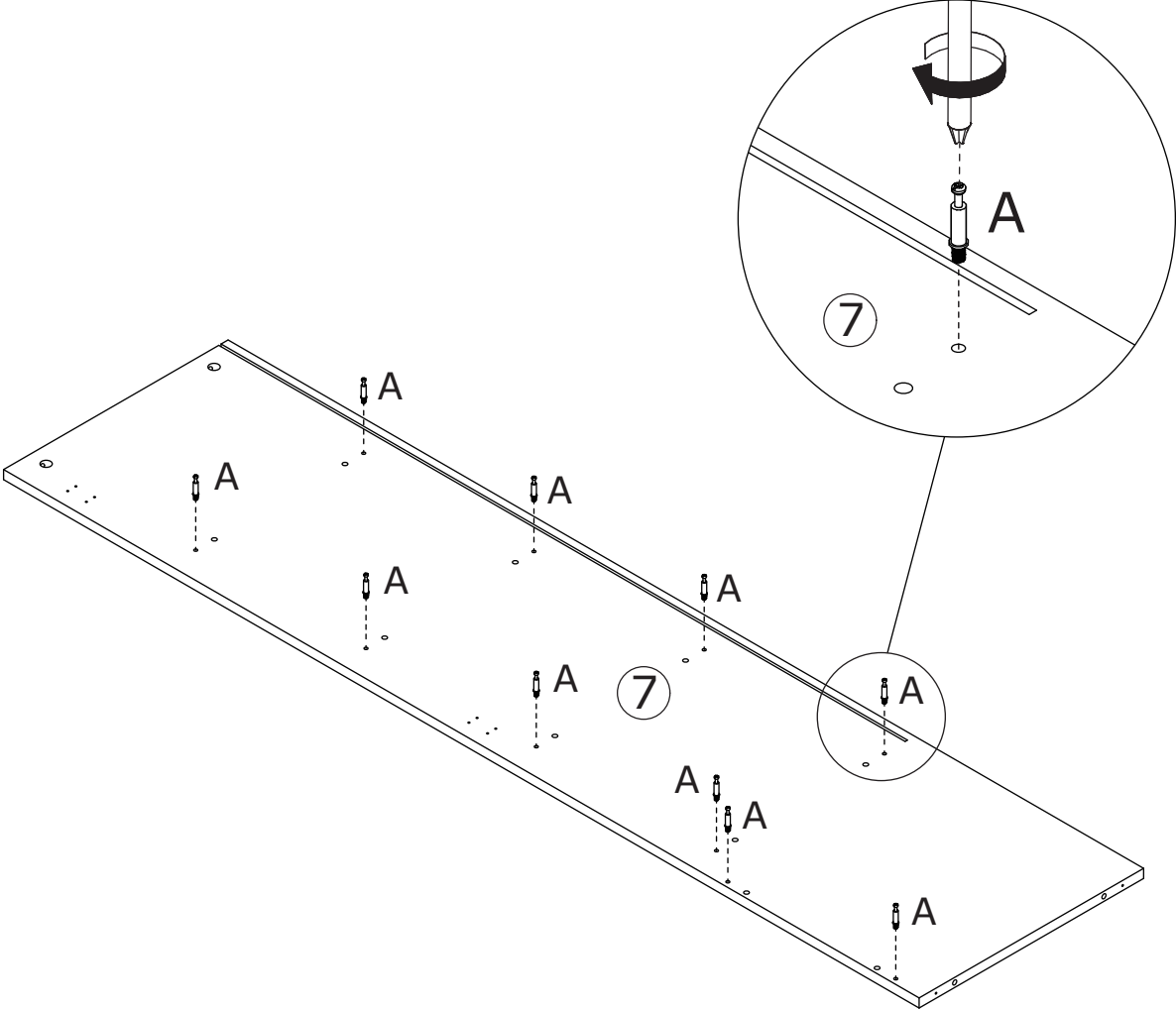
Secure the iron plate(U) to board 3 and 4 using screw(H) as shown.



21

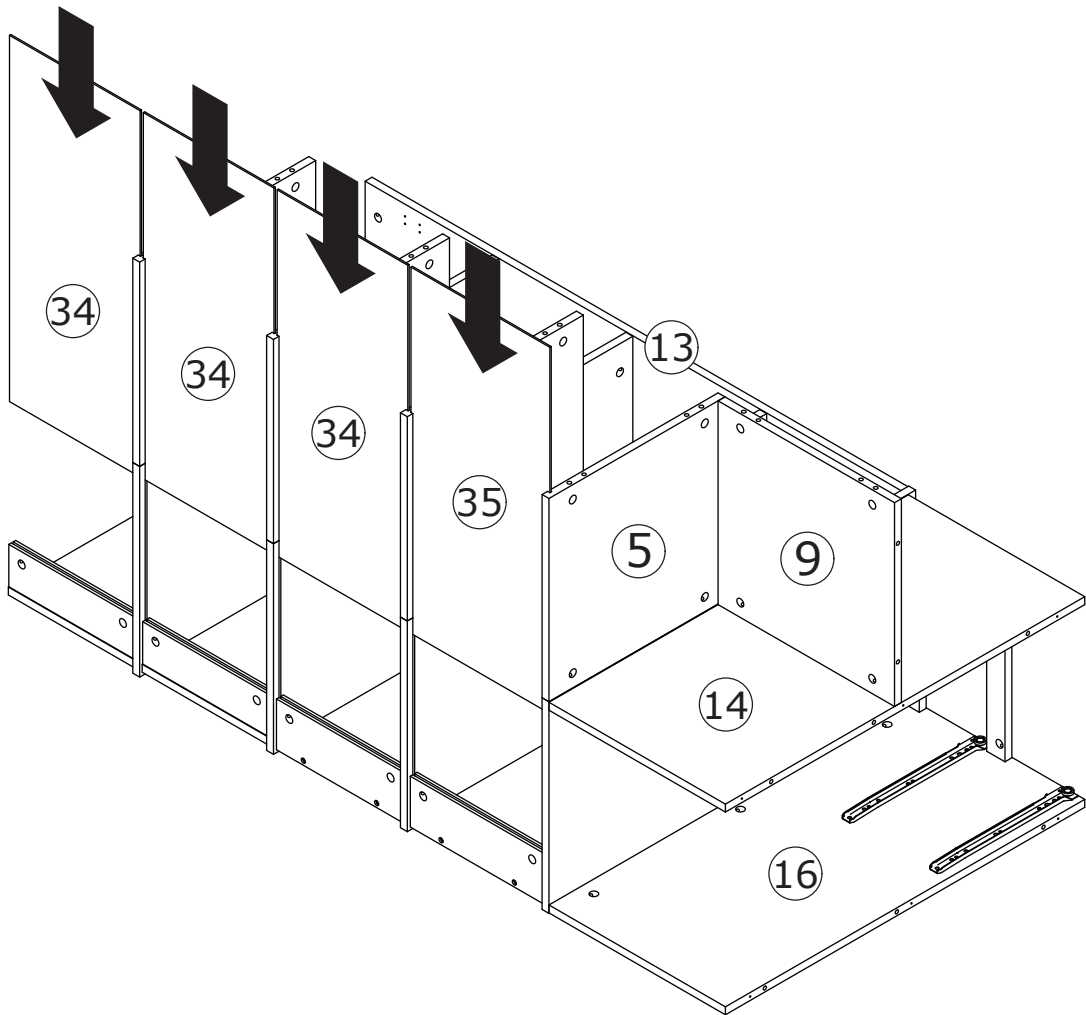


Screw eccentric rod(A) onto board 7 as shown.

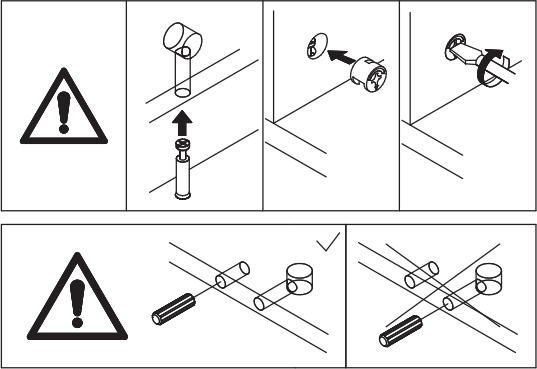
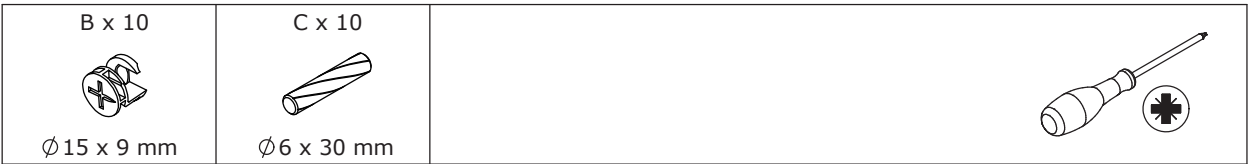


22

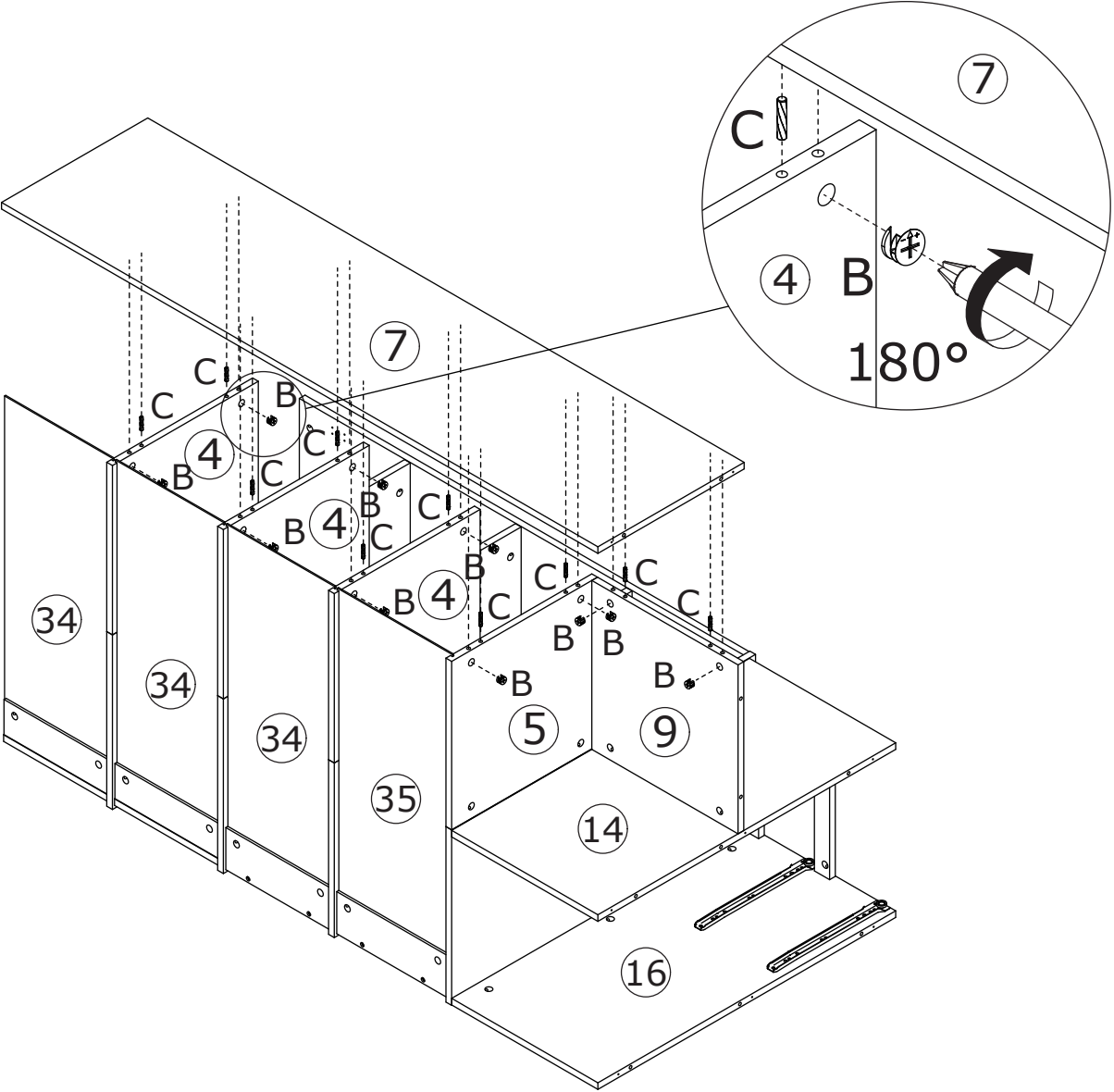
Slide board 34 and 35 along the grooves as shown.



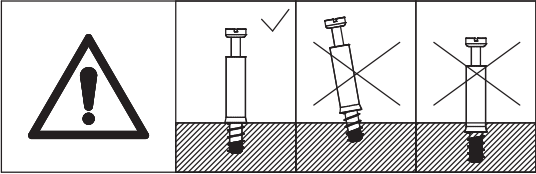
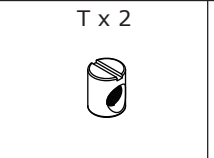
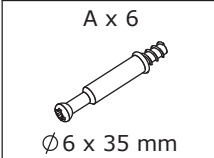
23



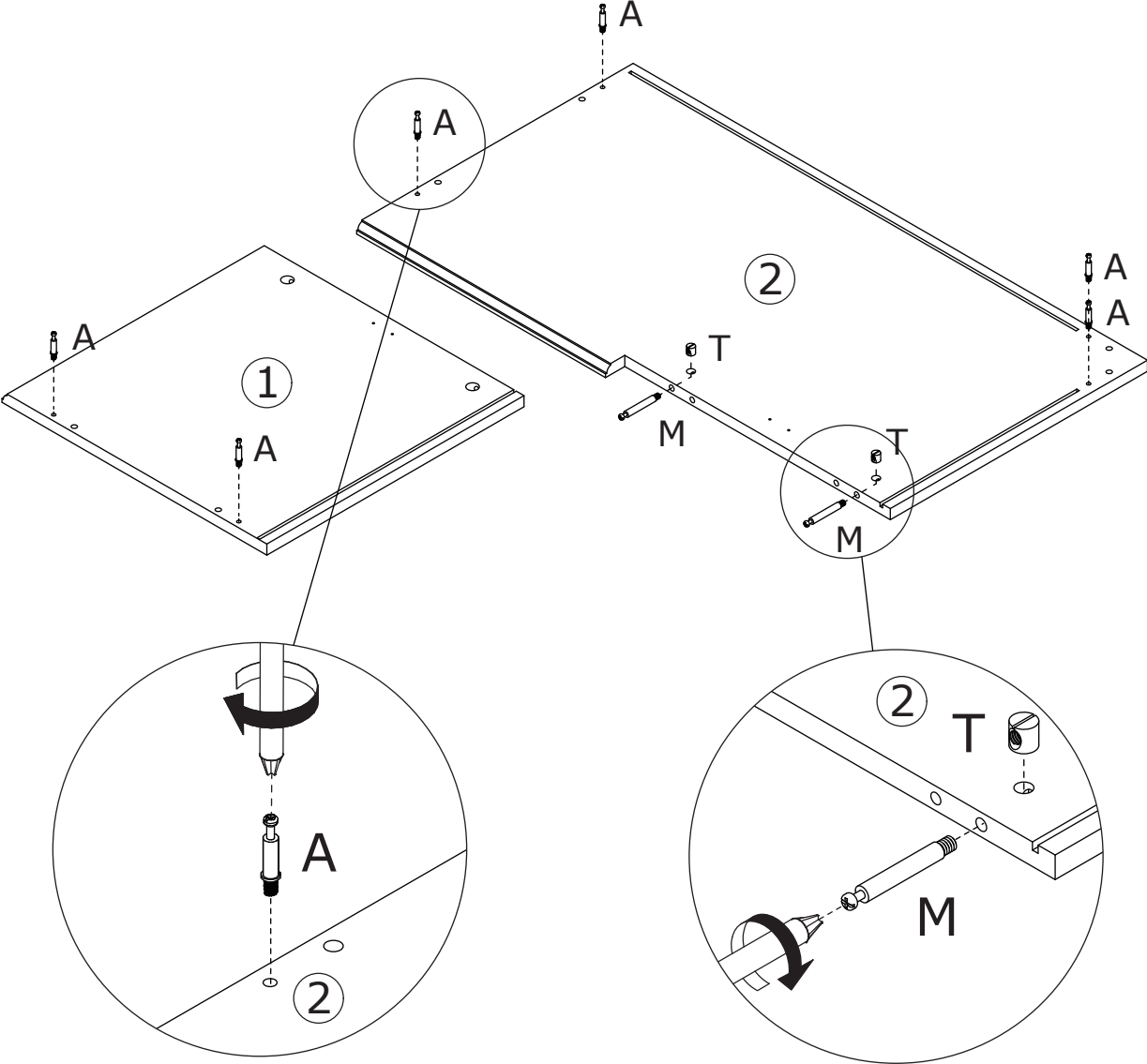
Connect board 7 to the assembled component using wooden dowel(C), then tighten by turning eccentric wheel(B) clockwise as shown.




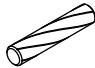


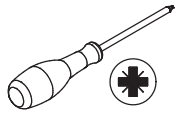
24

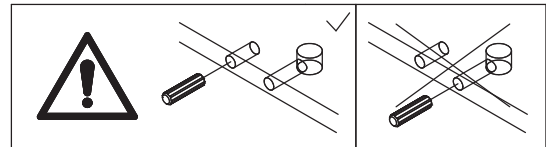
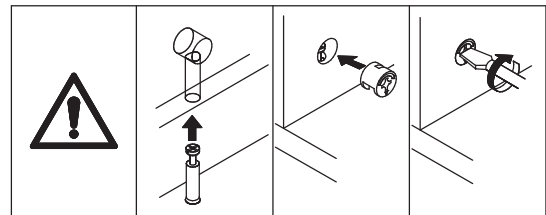


Screw eccentric rod(A) onto board 1 and 2 as shown.
Insert the hammer nut(T) into board 2.
Screw cam bolt(M) to the hammer nuts and rotate it clockwise to tighten as shown.

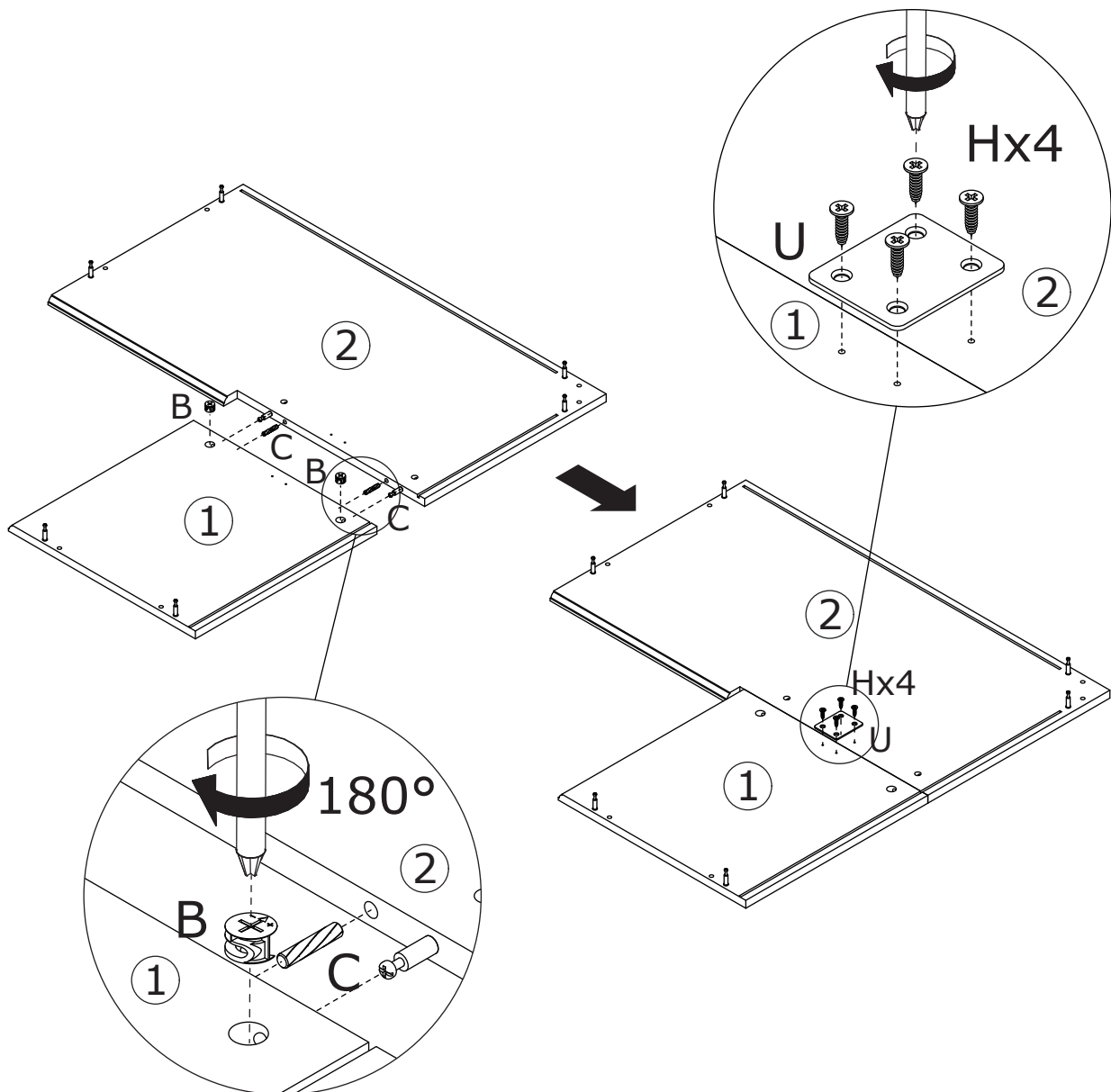


25

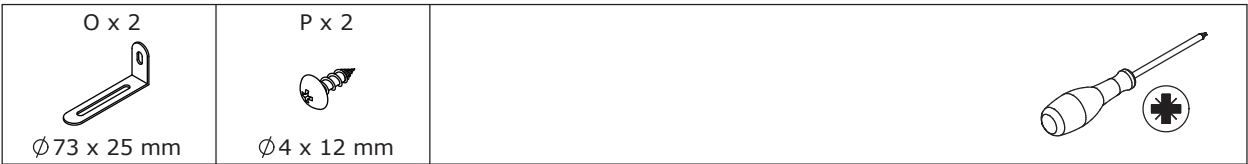
<p>B x 2</p>  <p>Ø15 x 9 mm</p>	<p>C x 2</p>  <p>Ø6 x 30 mm</p>	<p>H x 4</p>  <p>Ø4 x 14 mm</p>	<p>U x 1</p> 	
--	--	--	---	---



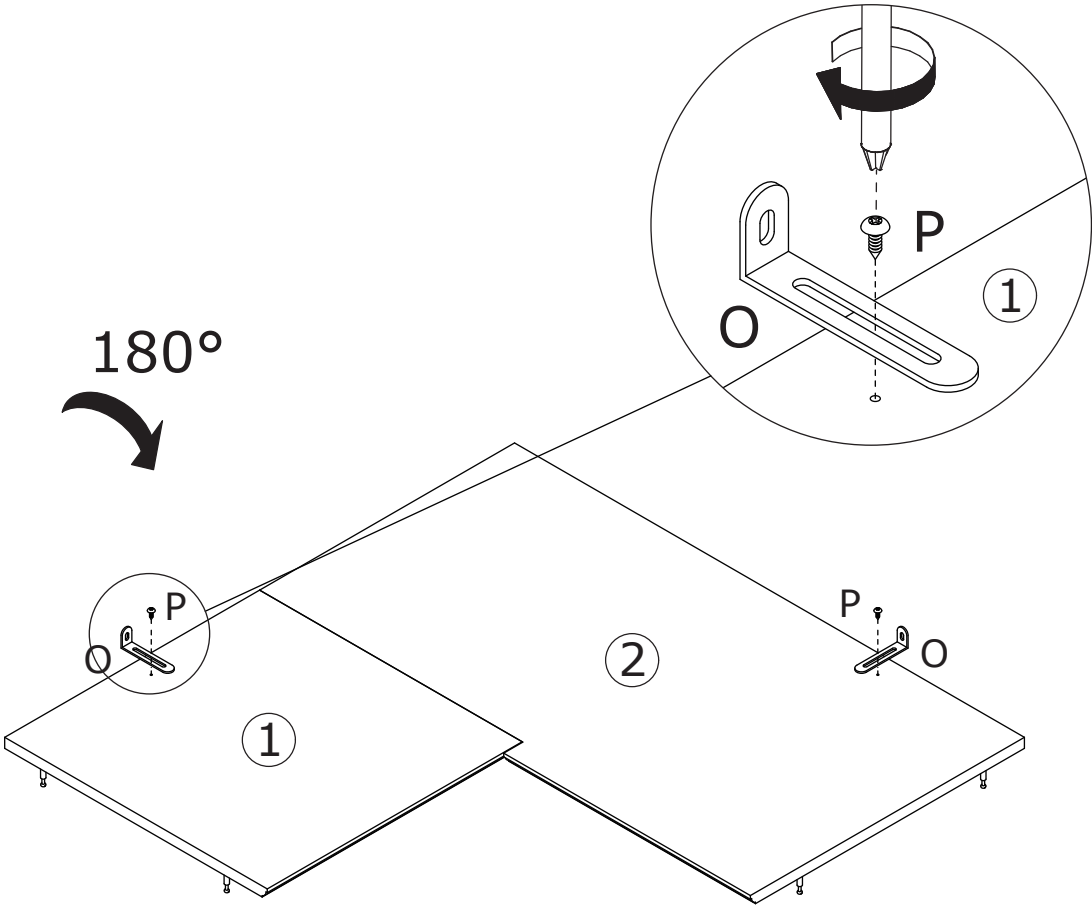
Connect board 1 and 2 using wooden dowel(C), then tighten by turning eccentric wheel(B) clockwise as shown. Secure the iron plate(U) to board 1 and 2 using screw(H) as shown.



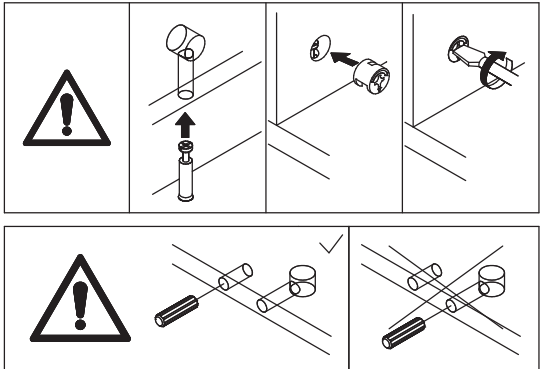
26



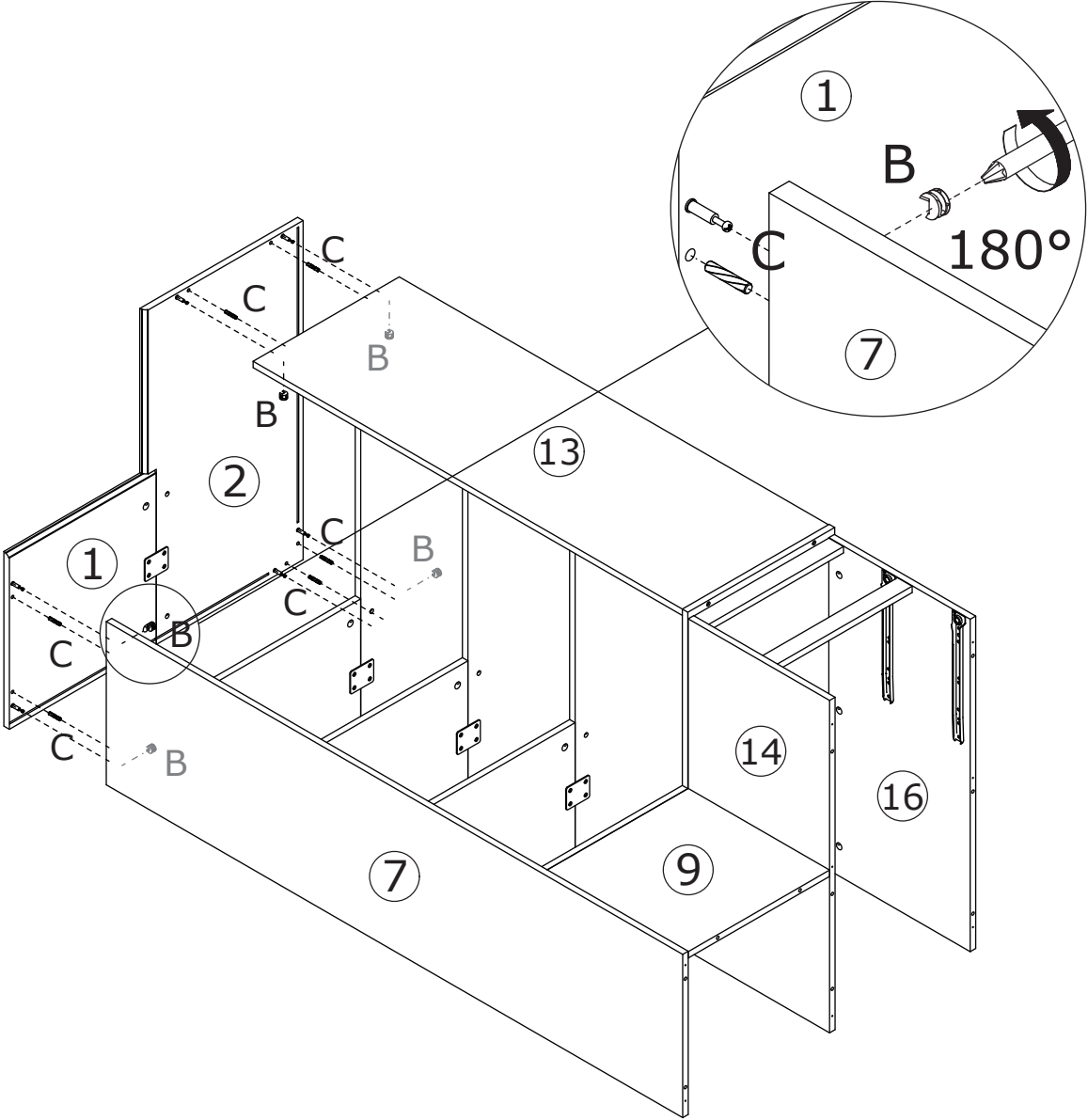
Flip to the other side, and secure the iron plate(O) to board 1 and 2 using screw(P) as shown.



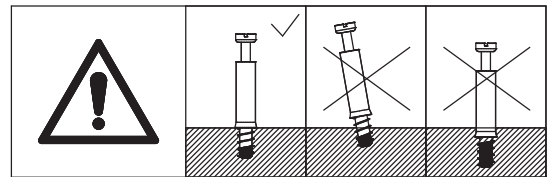
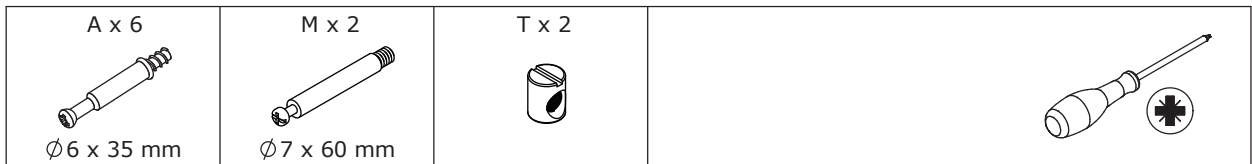
27



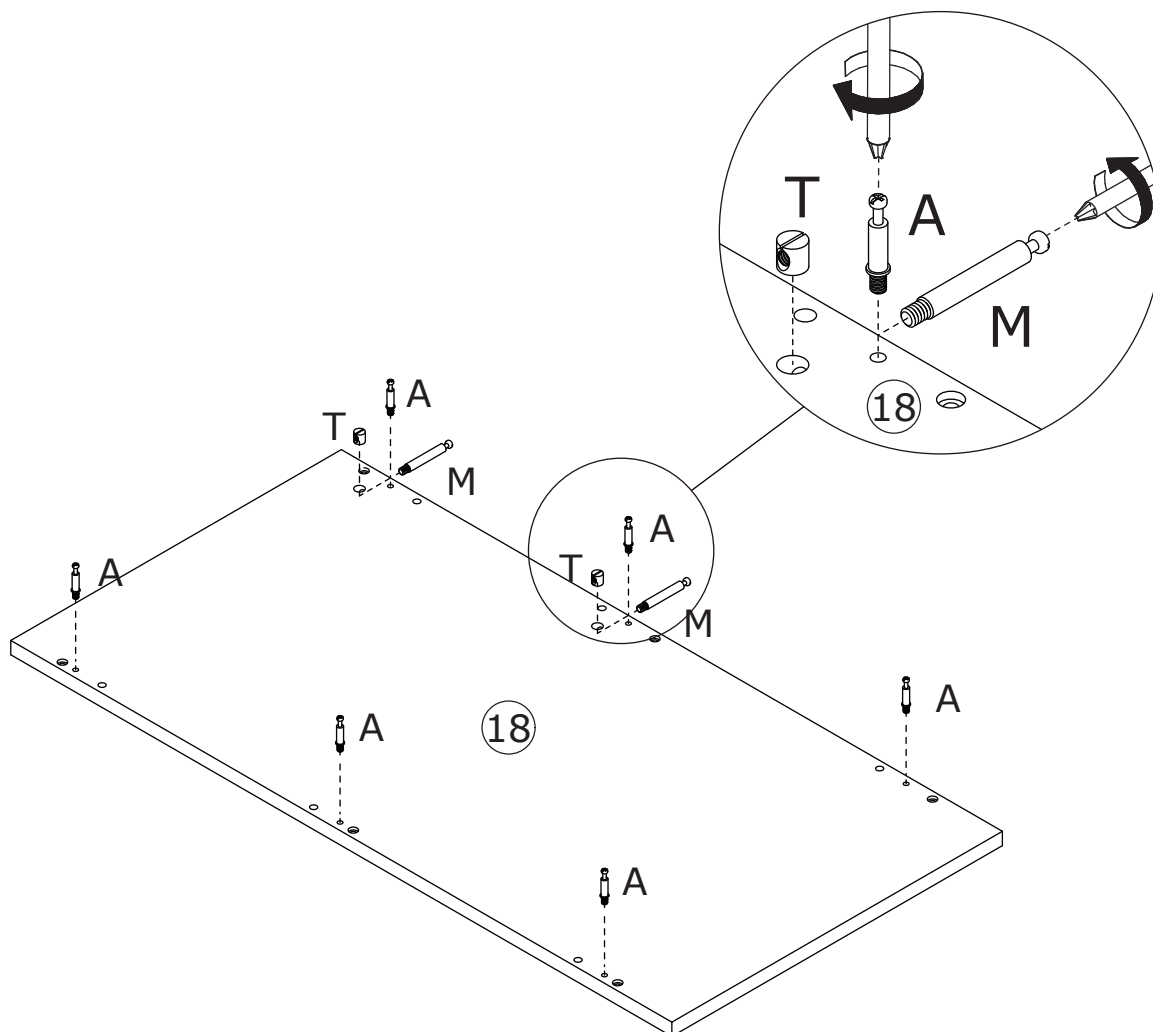
Connect board 1 and 2 to the assembled component using wooden dowel(C), then tighten by turning eccentric wheel(B) clockwise as shown.



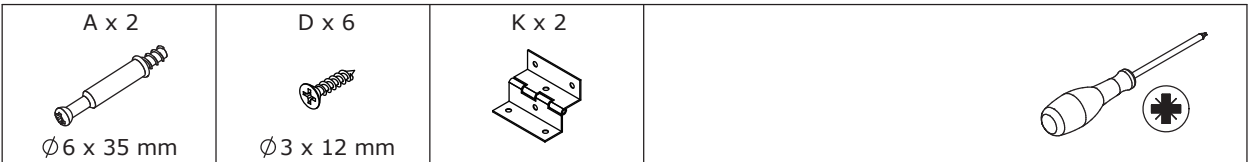
28



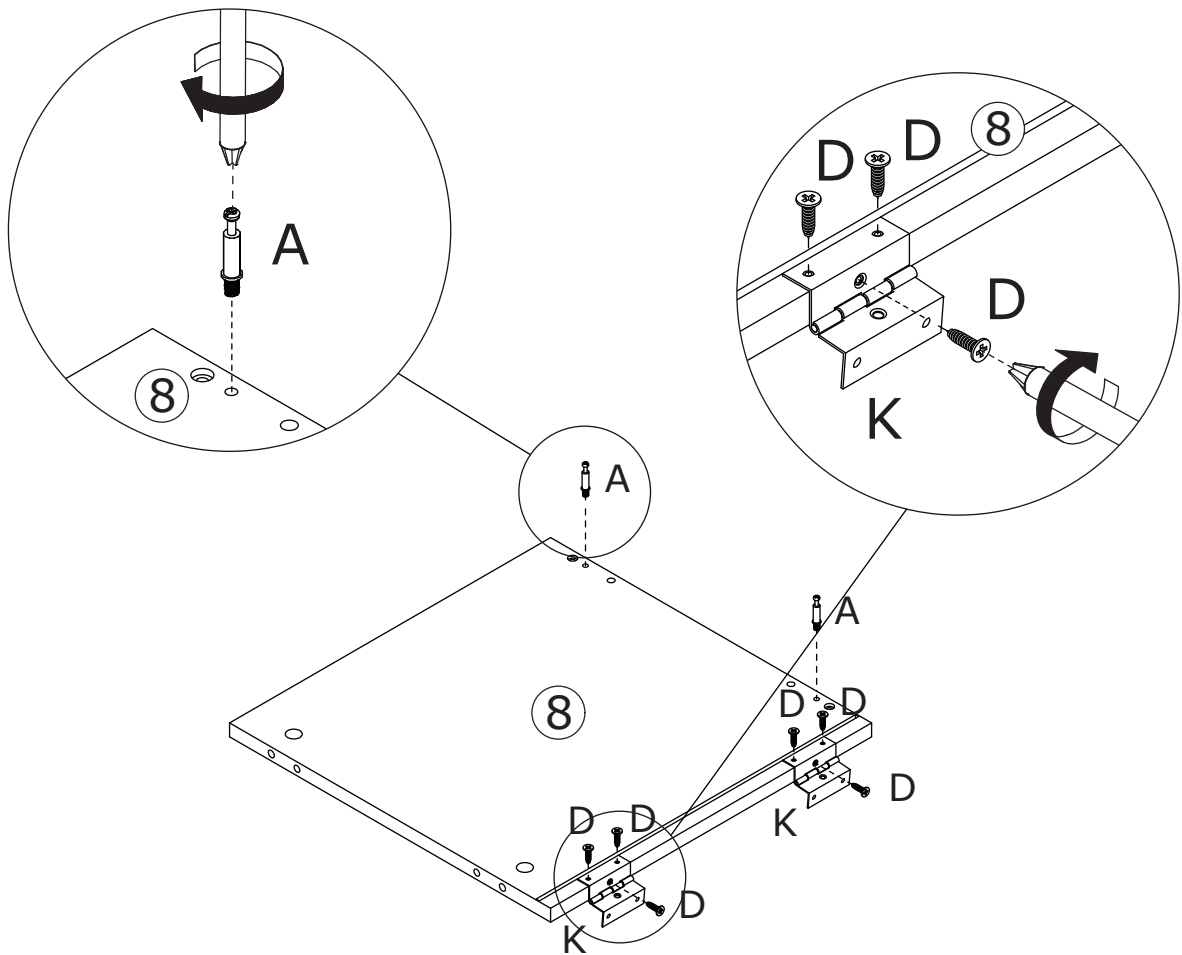
Screw eccentric rod(A) onto board 18 as shown.
Insert hammer nut(T) into board 18.
Screw cam bolt(M) into the hammer nuts and rotate it clockwise to tighten as shown.



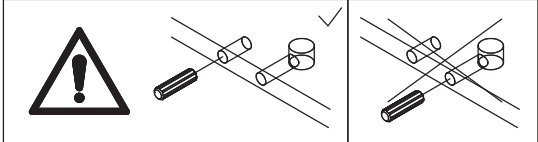
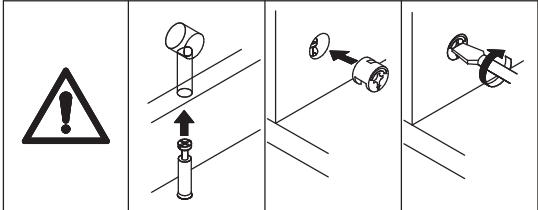
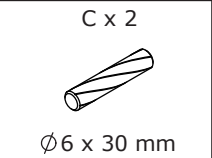
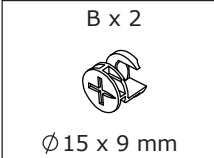
29



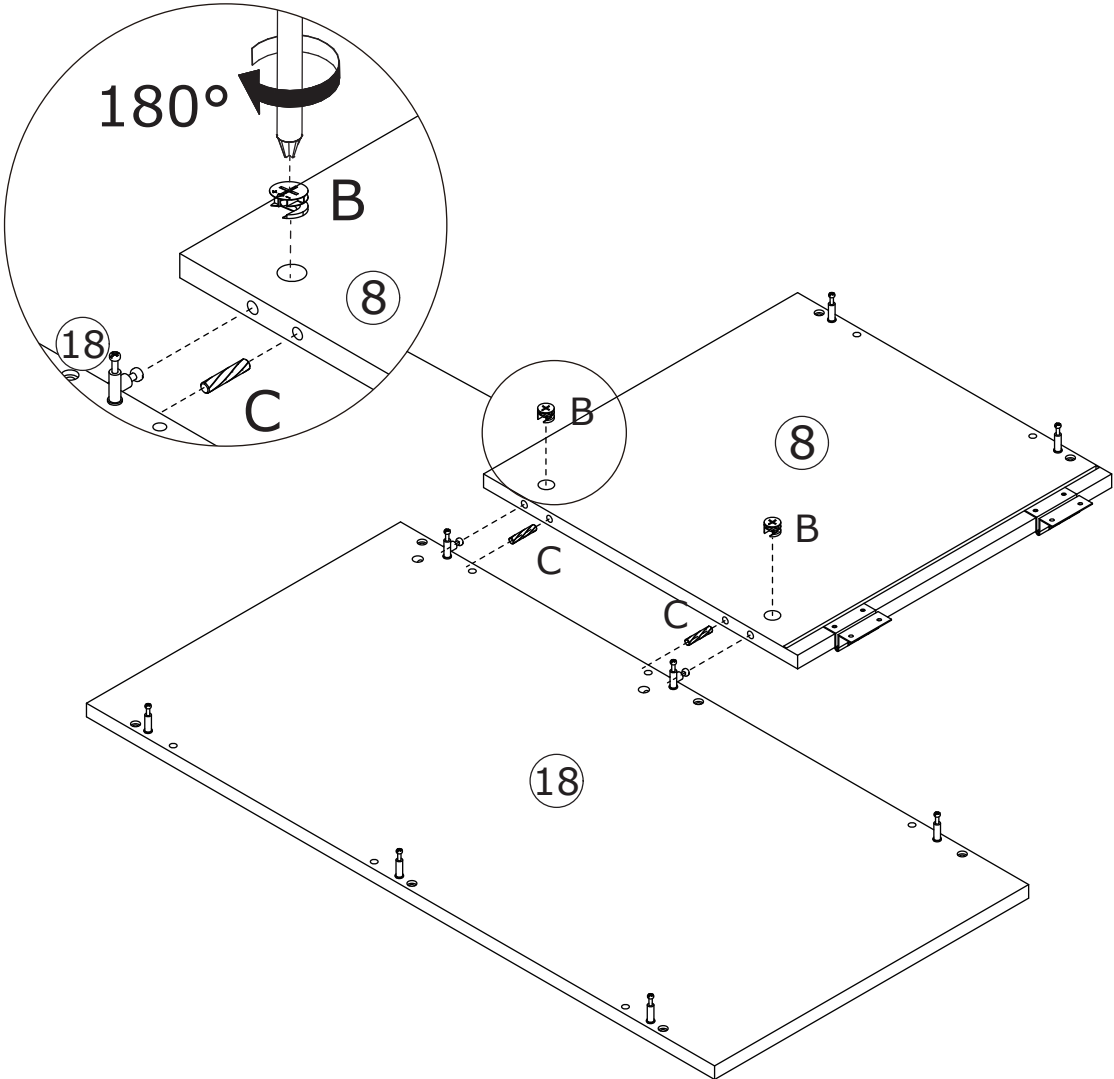
Screw eccentric rod(A) onto board 8 as shown.
Secure hinge (K) to board 8 using screw(D) as shown.



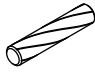


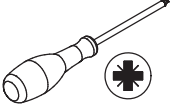
30

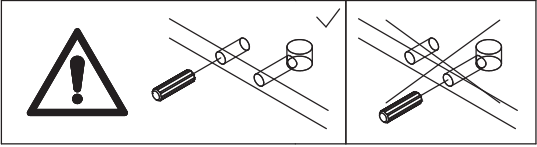


Connect board 8 and 18 using wooden dowel(C), then tighten by turning eccentric wheel(B) clockwise as shown.

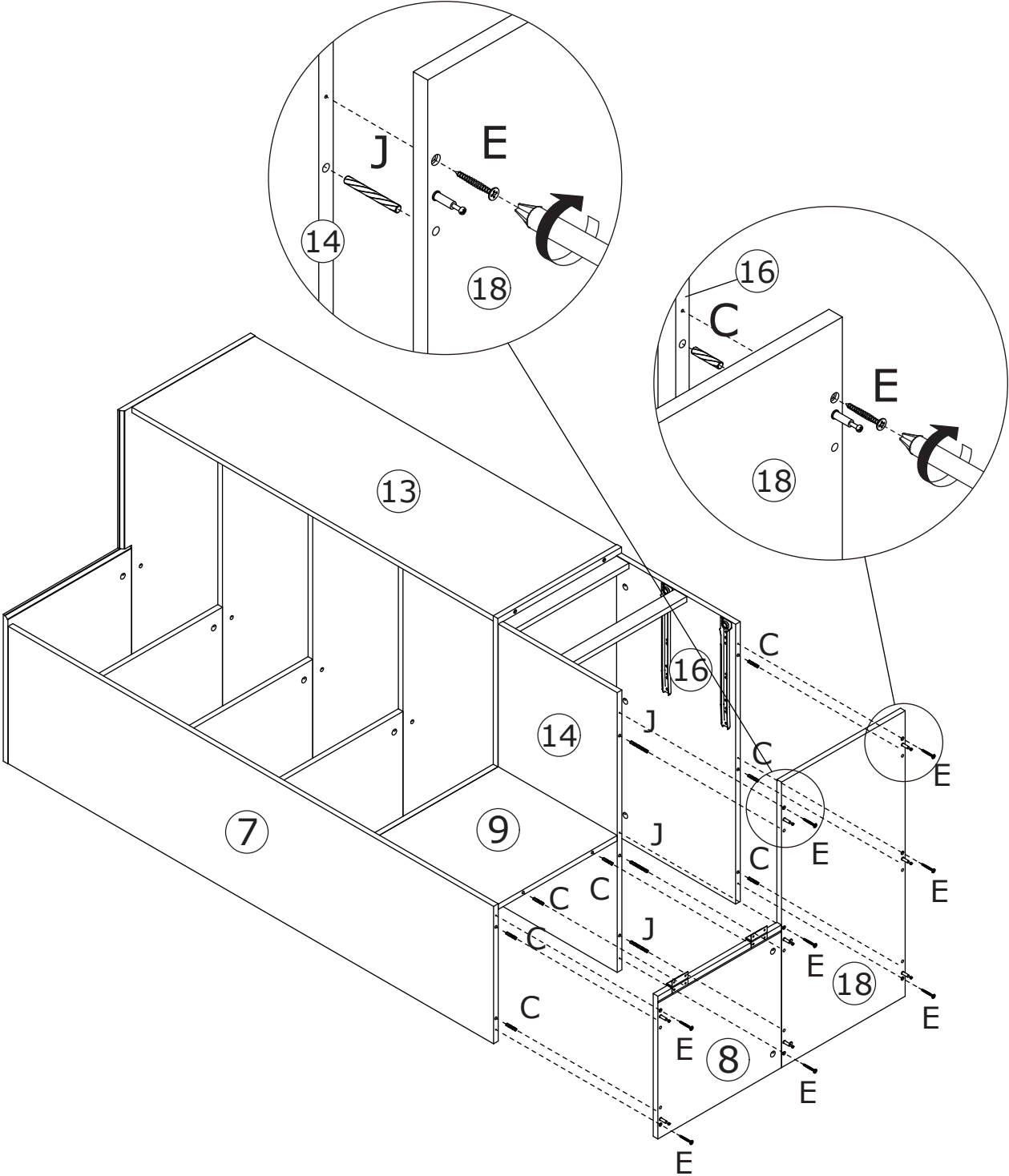


31

<p>C x 7</p>  <p>∅6 x 30 mm</p>	<p>E x 8</p>  <p>∅4 x 35 mm</p>	<p>J x 3</p>  <p>∅6 x 50 mm</p>	
--	--	--	---



Connect board 8 and 18 to the assembled component using wooden dowel(C) and (J), then secure them using screw(E) as shown.

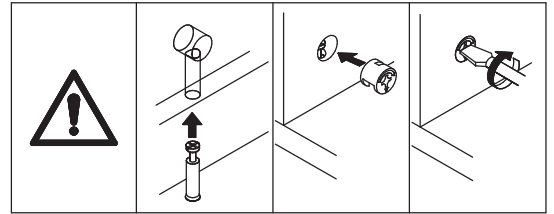
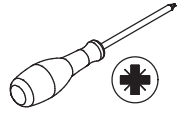


32

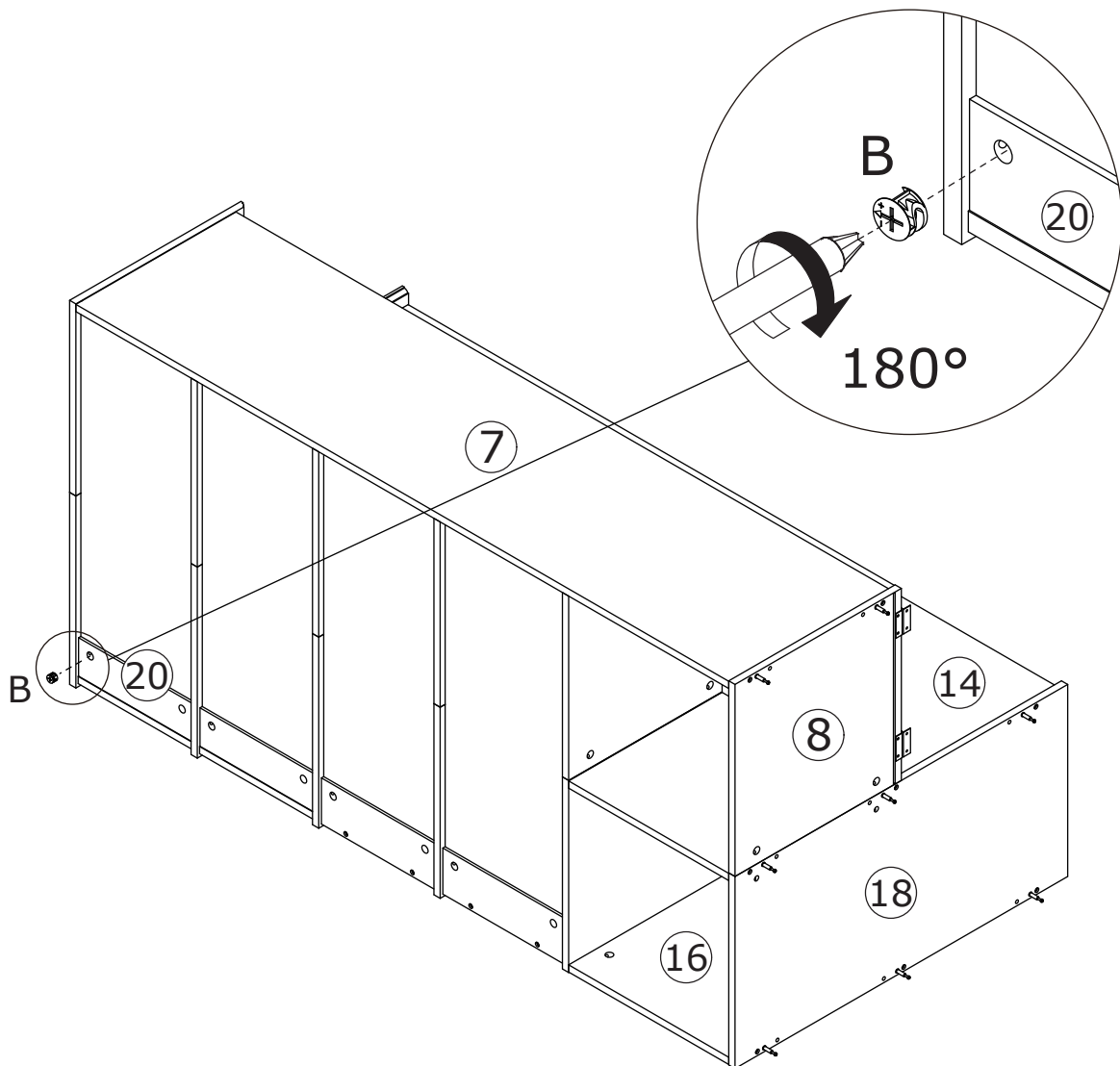
B x 1



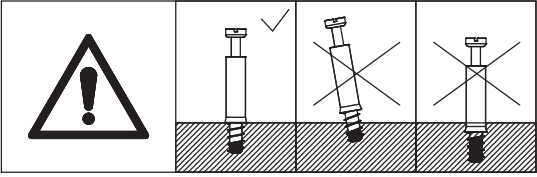
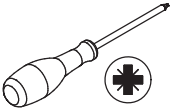
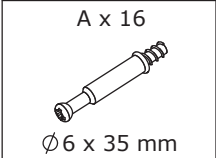
Ø15 x 9 mm



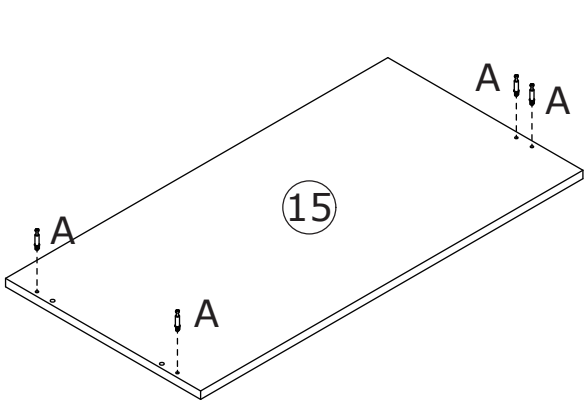
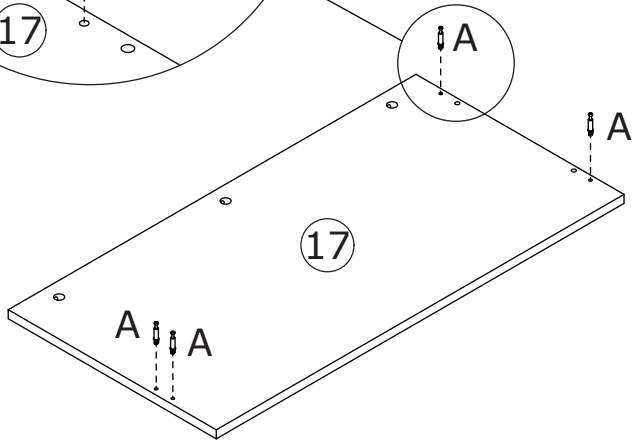
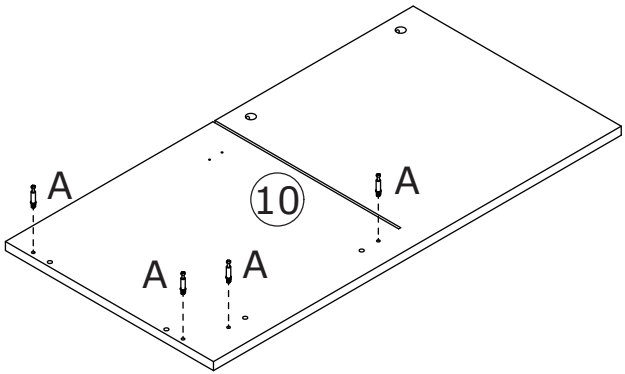
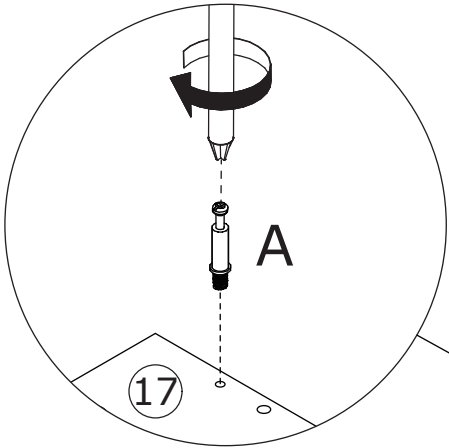
After flipping to the right side, insert the eccentric wheel(B) into board 20 and rotate it clockwise to tighten as shown.



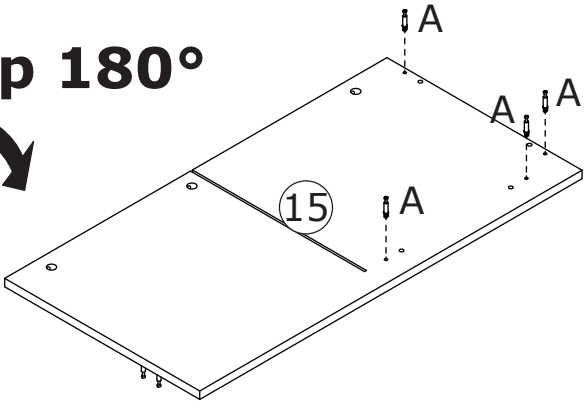
33



Screw eccentric rod(A) onto board 10, 15, and 17 as shown.

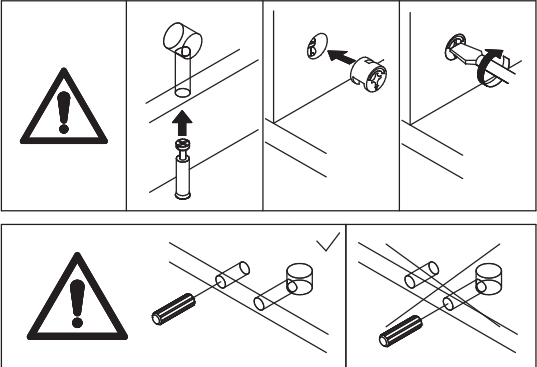


Flip 180°

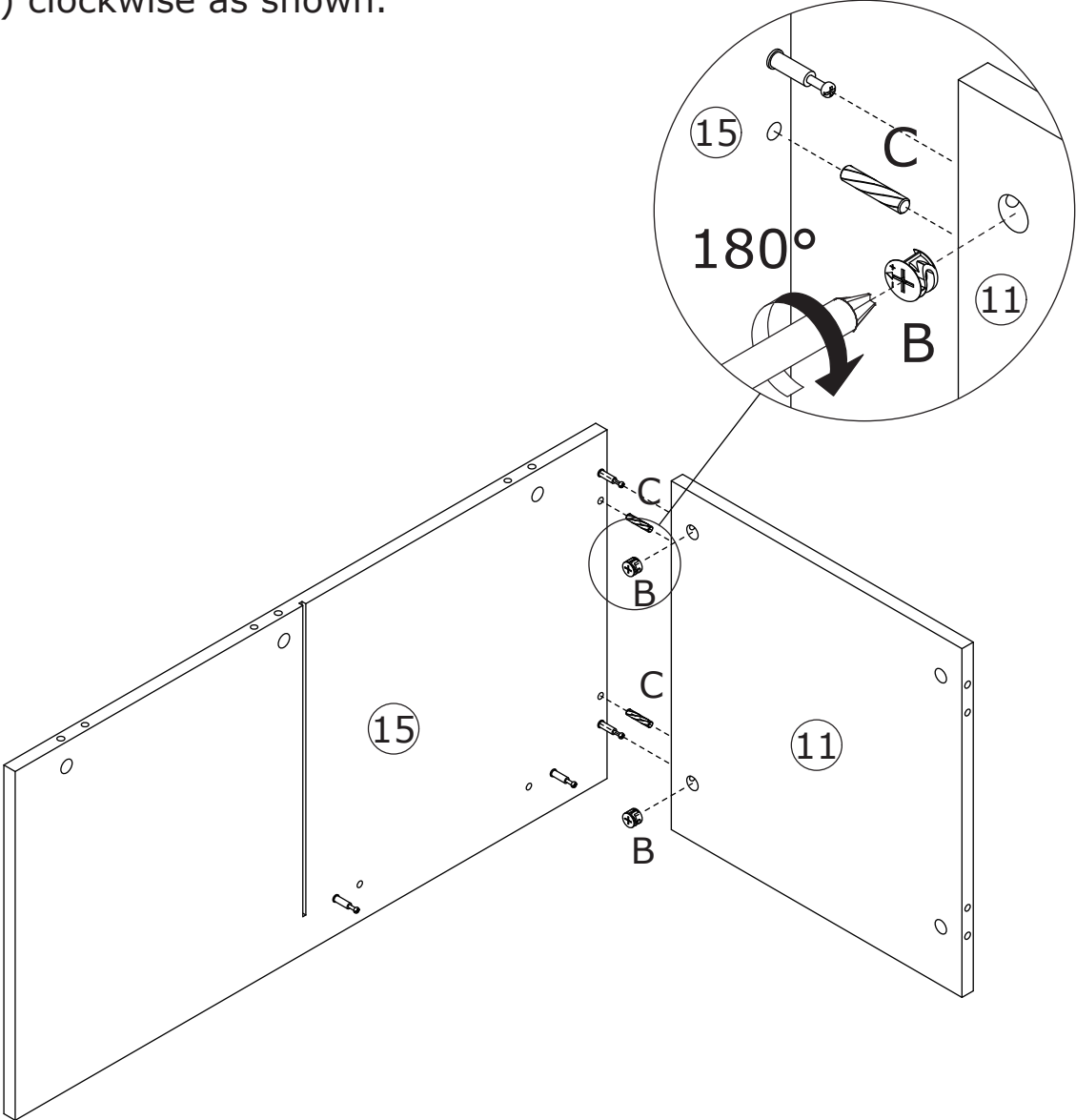


34

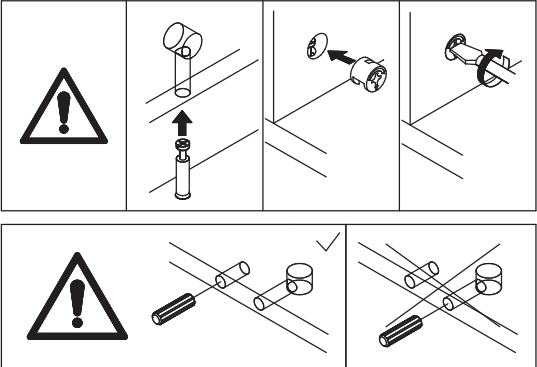
<p>B x 2</p>  <p>Ø15 x 9 mm</p>	<p>C x 2</p>  <p>Ø6 x 30 mm</p>	 
--	--	---



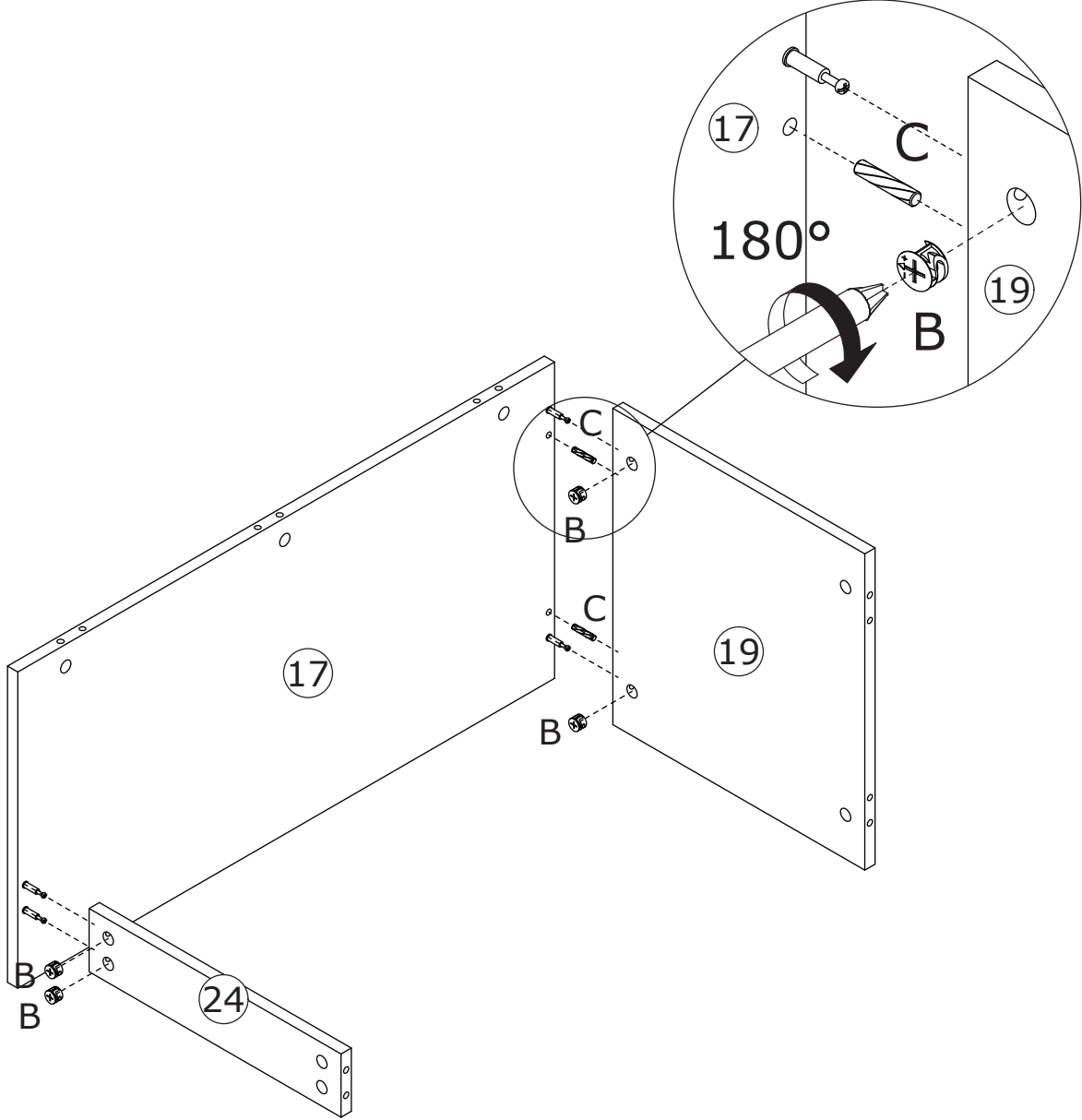
Connect board 11 to board 15 using wooden dowel(C), then tighten by turning eccentric wheel(B) clockwise as shown.



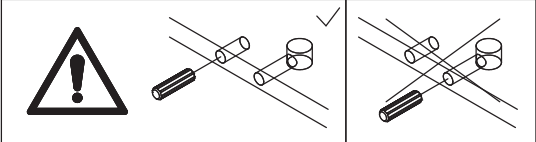
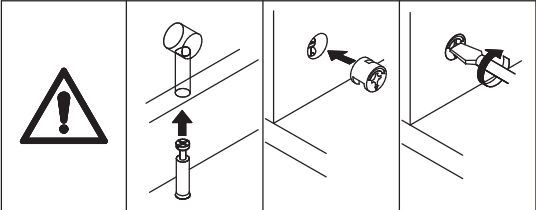
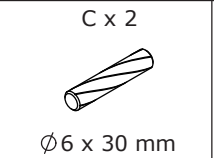
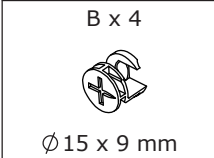
35



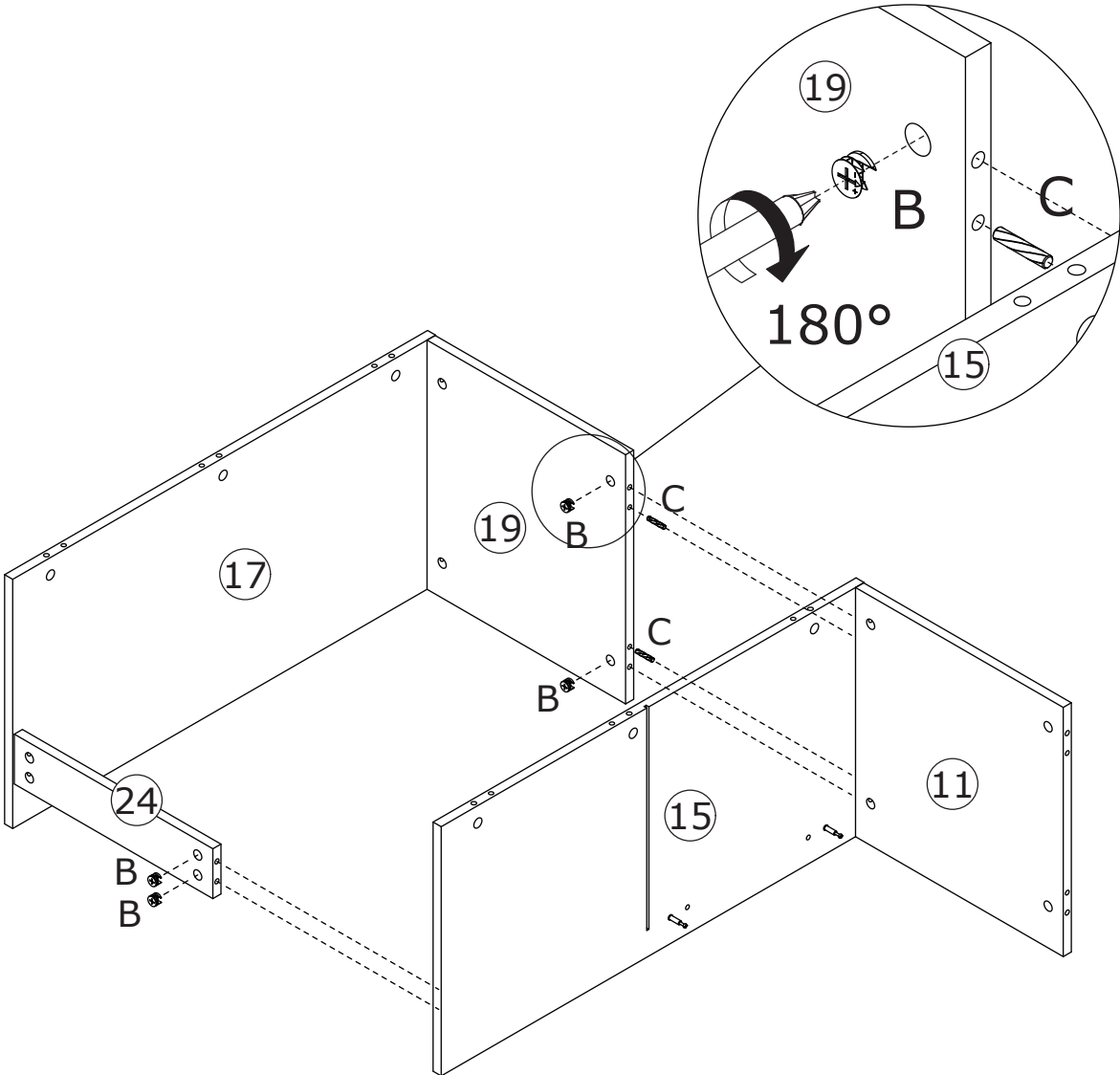
Insert wooden dowel(C) into board 19.
Connect board 19 and 24 to board 17, then
tighten by turning eccentric wheel(B)
clockwise as shown.



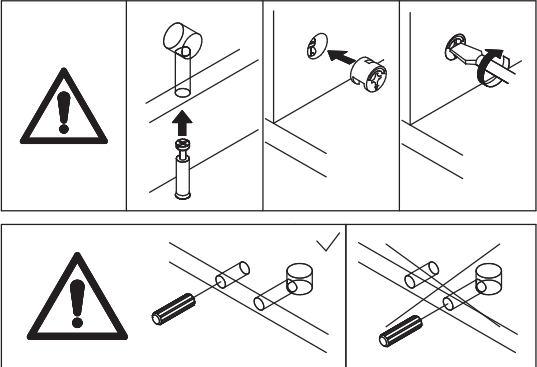
36



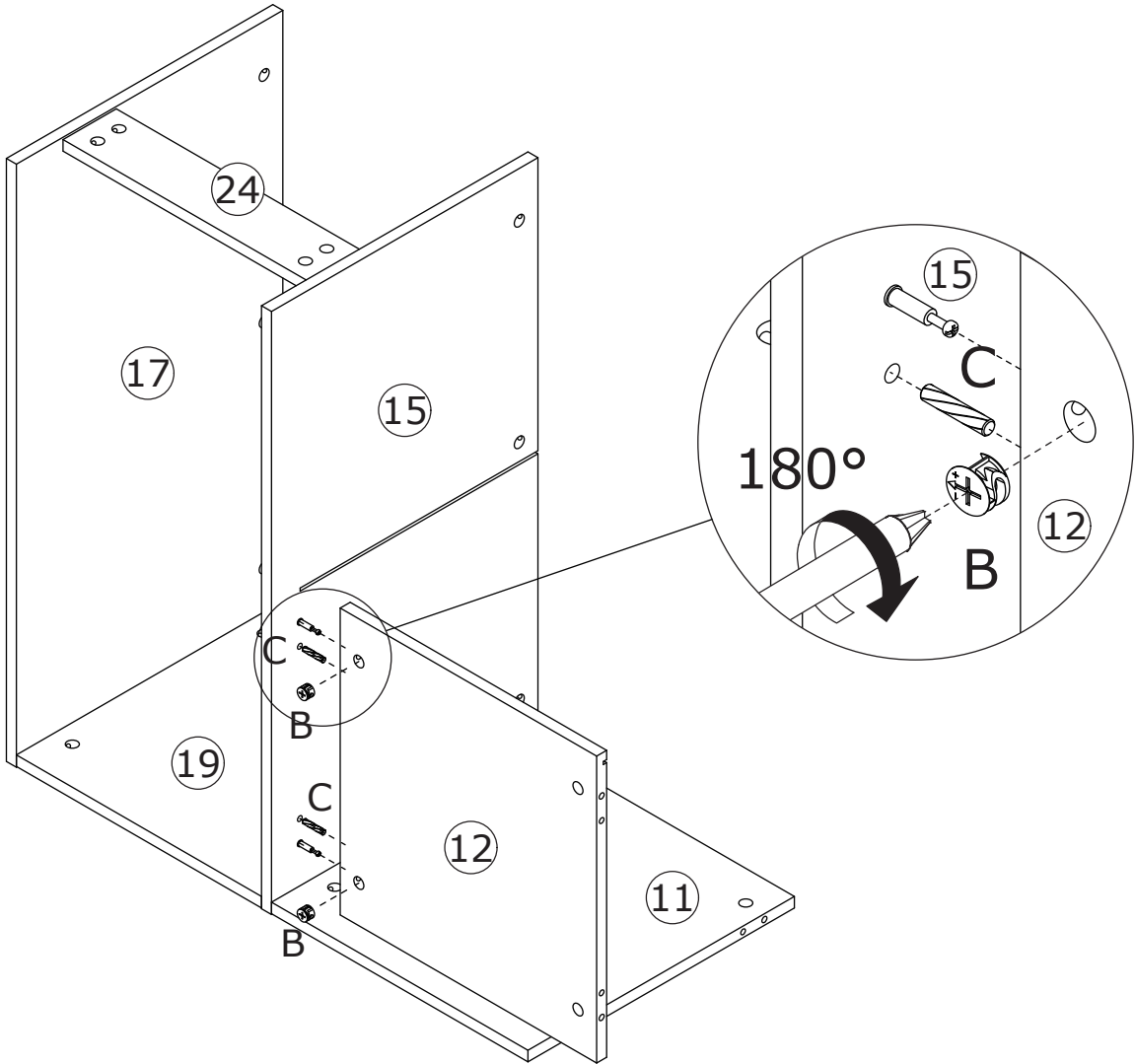
Insert wooden dowel(C) into board 19.
Connect the two assembled components, then
tighten by turning eccentric wheel(B) clockwise as
shown.



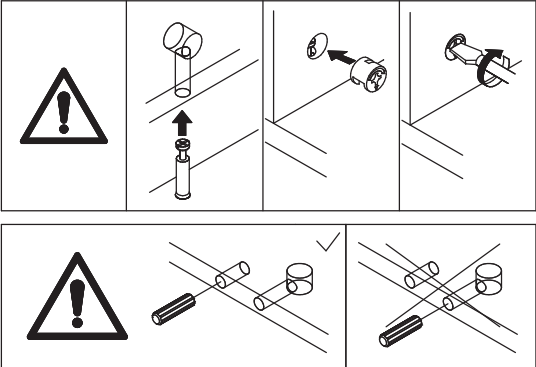
37



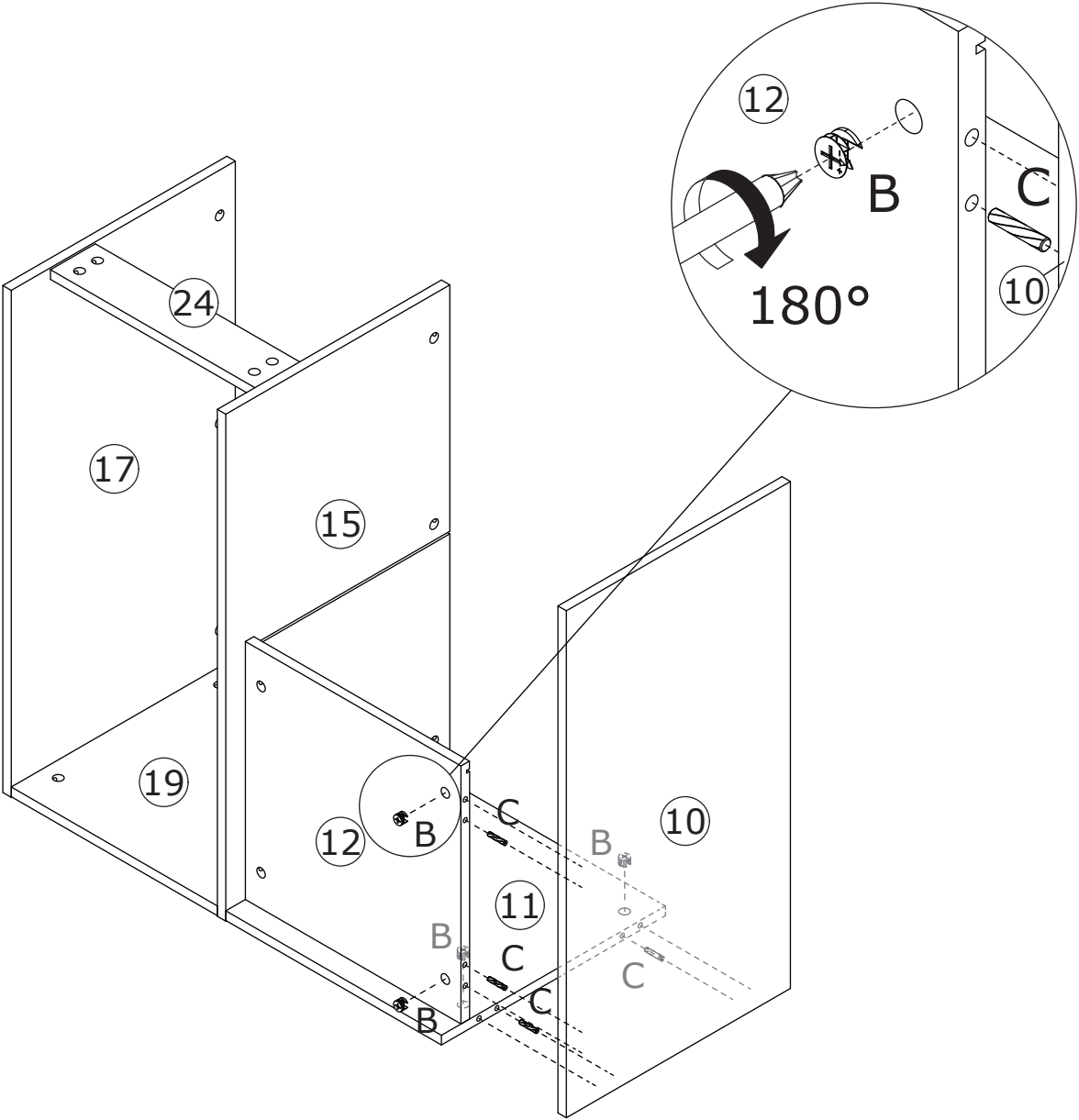
Connect board 12 to board 15 using wooden dowel(C), then tighten by turning eccentric wheel(B) clockwise as shown.



38

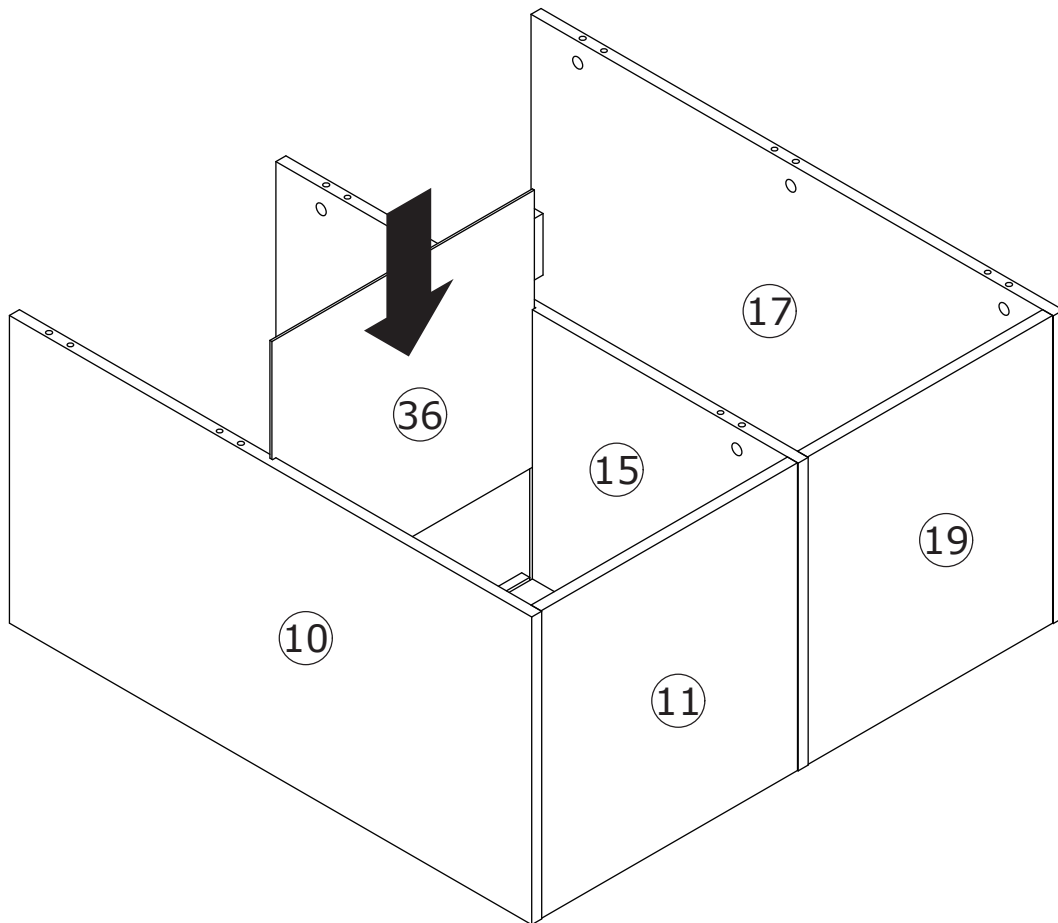


Connect board 10 to board 11 and 12 using wooden dowel(C), then tighten by turning eccentric wheel(B) clockwise as shown.

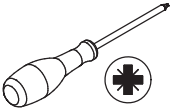
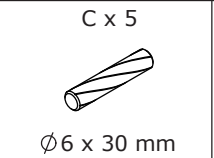
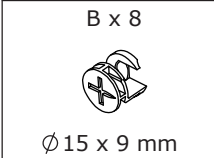


39

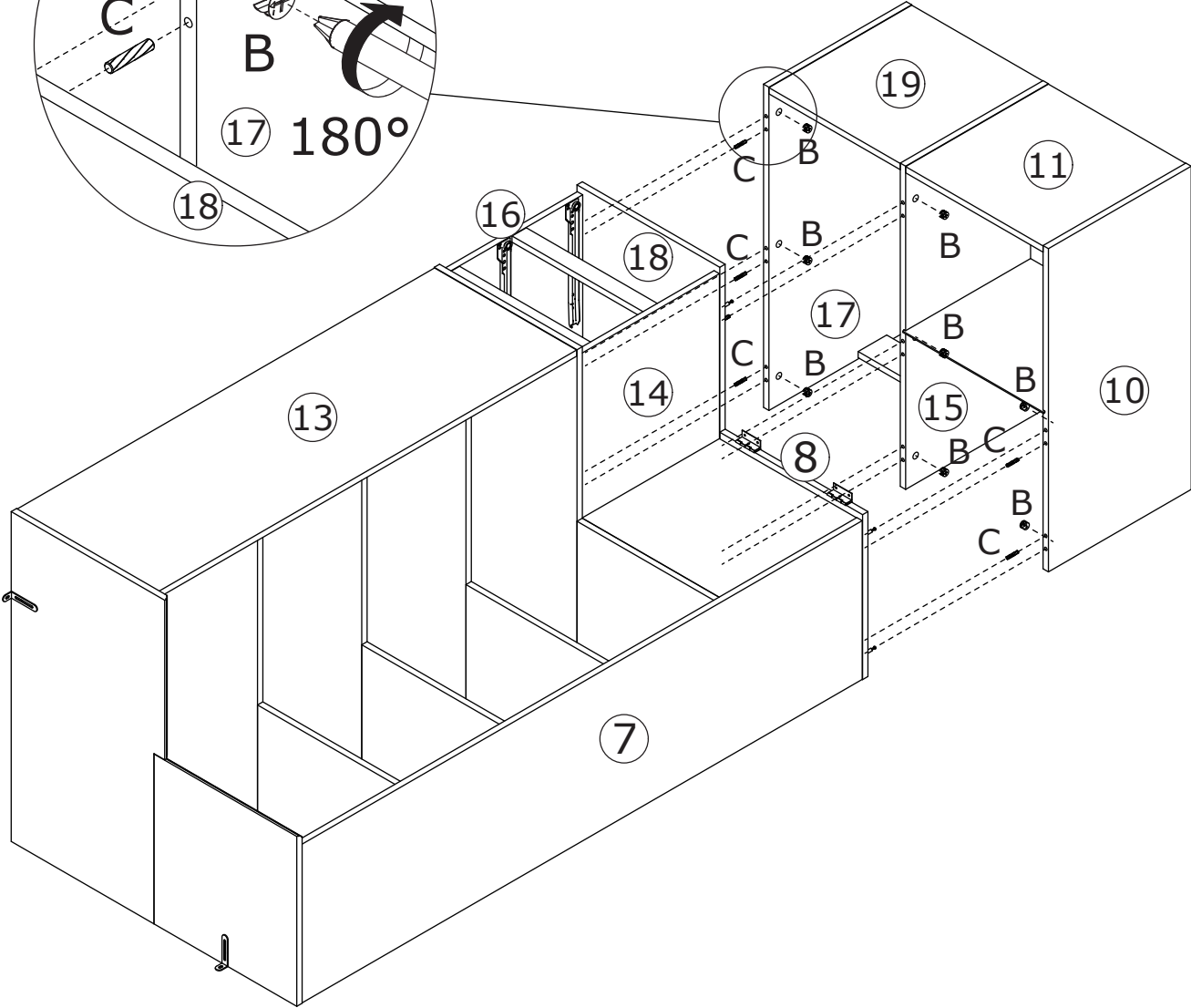
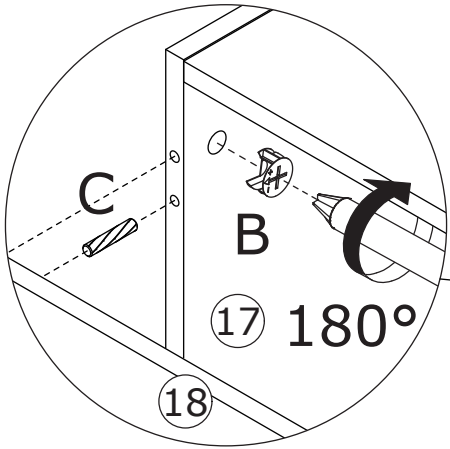
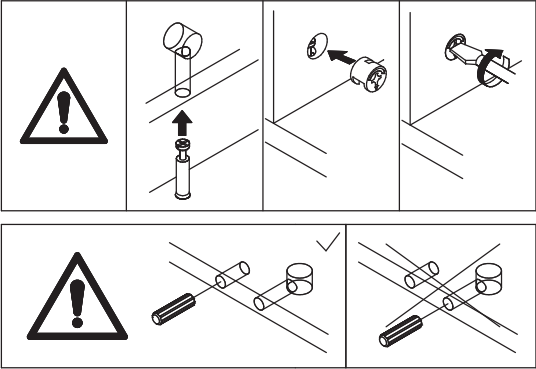
Slide board 36 along the grooves
as shown.




40

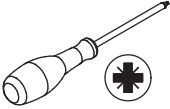


Connect the two assembled components using wooden dowel(C), then tighten by turning eccentric wheel(B) clockwise as shown.

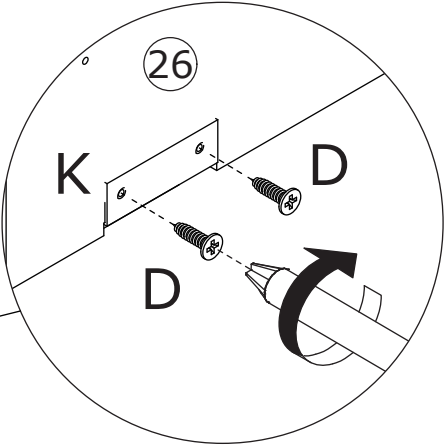
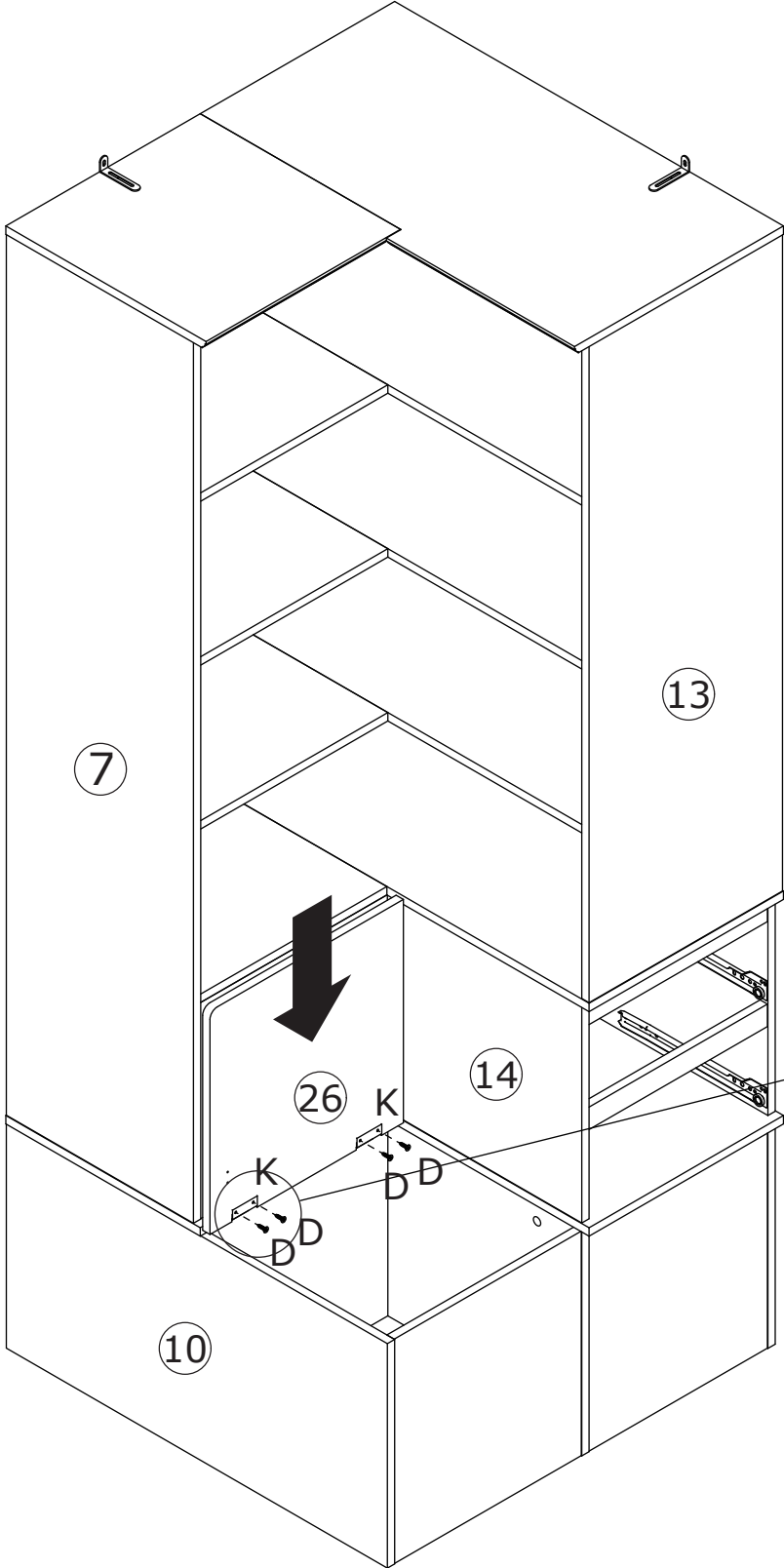


41

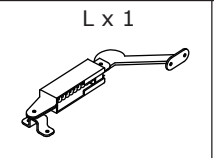
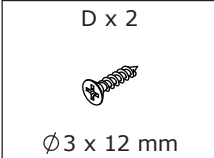
D x 4

Ø3 x 12 mm



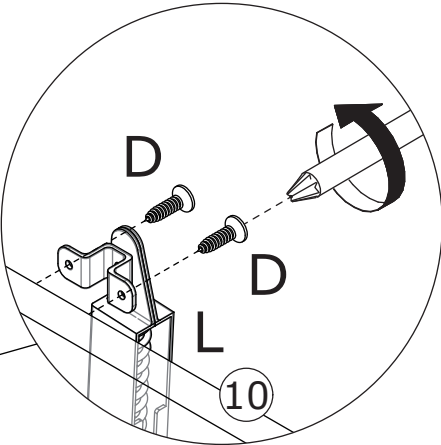
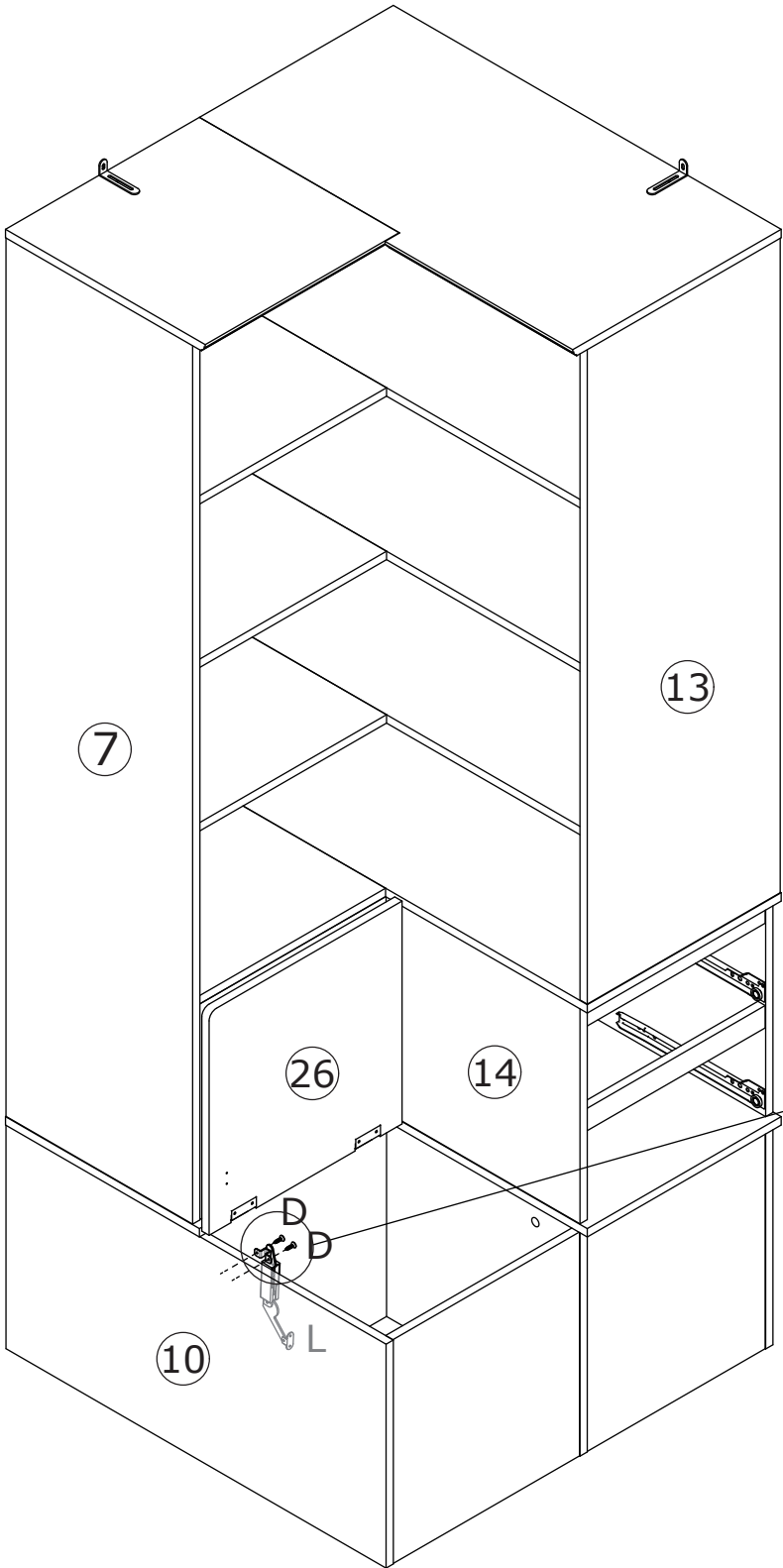
Secure board 26 to hinges using screw(D) as shown.



42



Secure part(L) to board 10 using screw(D) as shown.

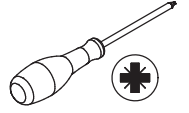


43

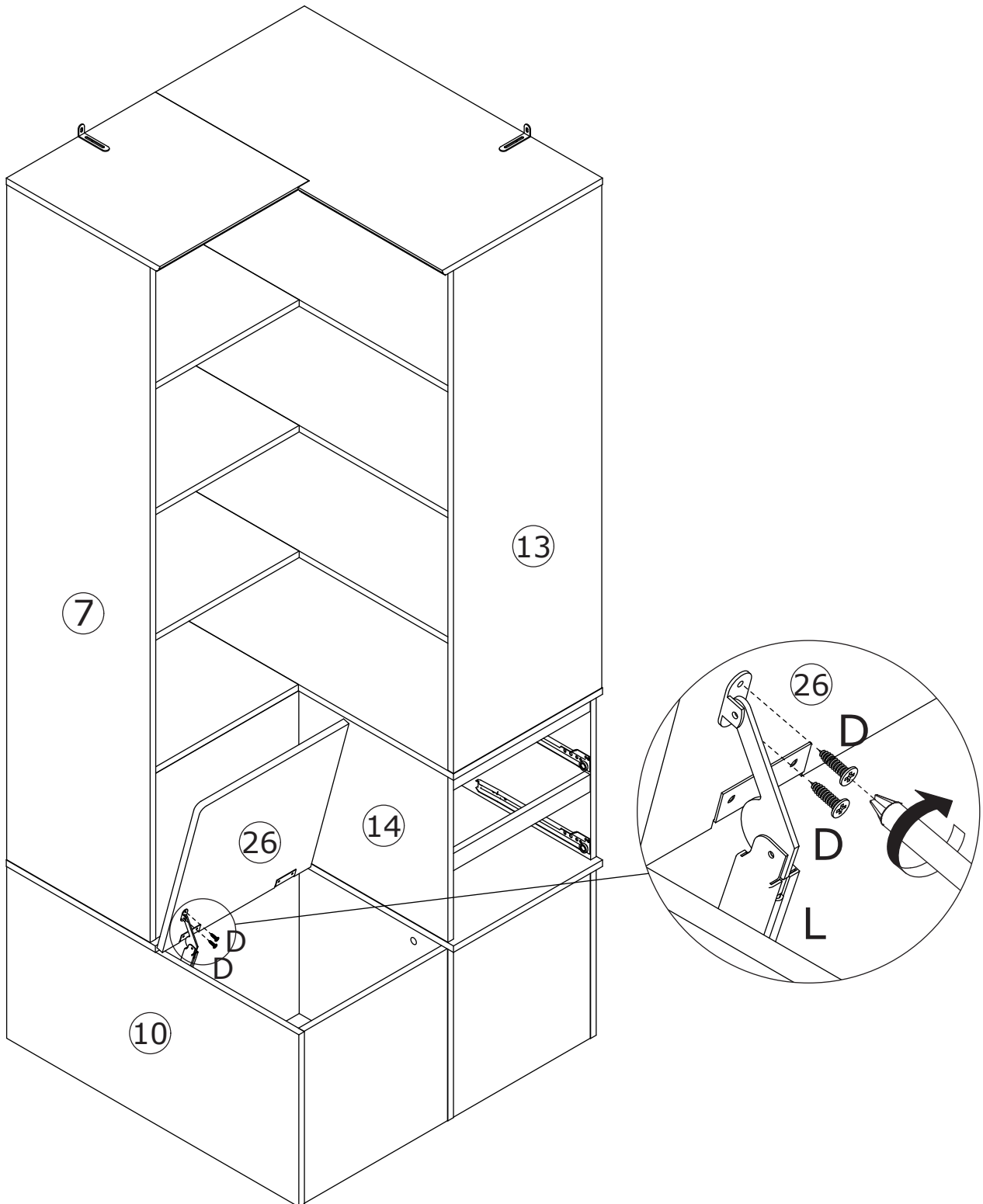
D x 2



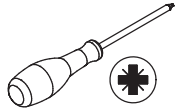
Ø3 x 12 mm



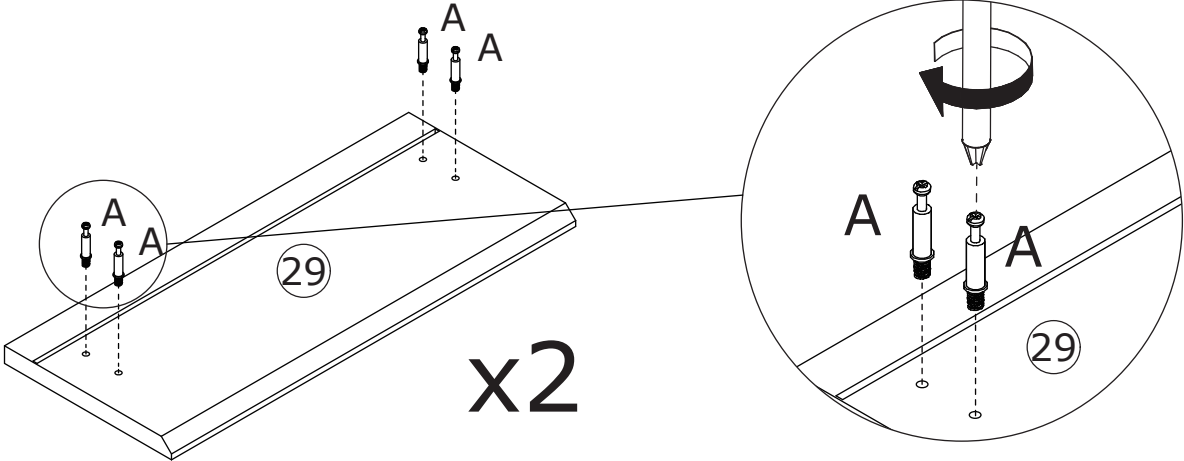
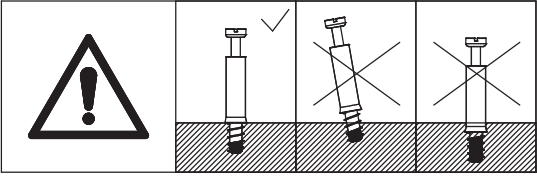
Secure part(L) to board 26 using screw(D) as shown.



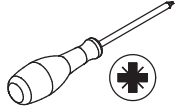
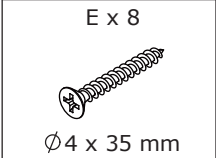
44



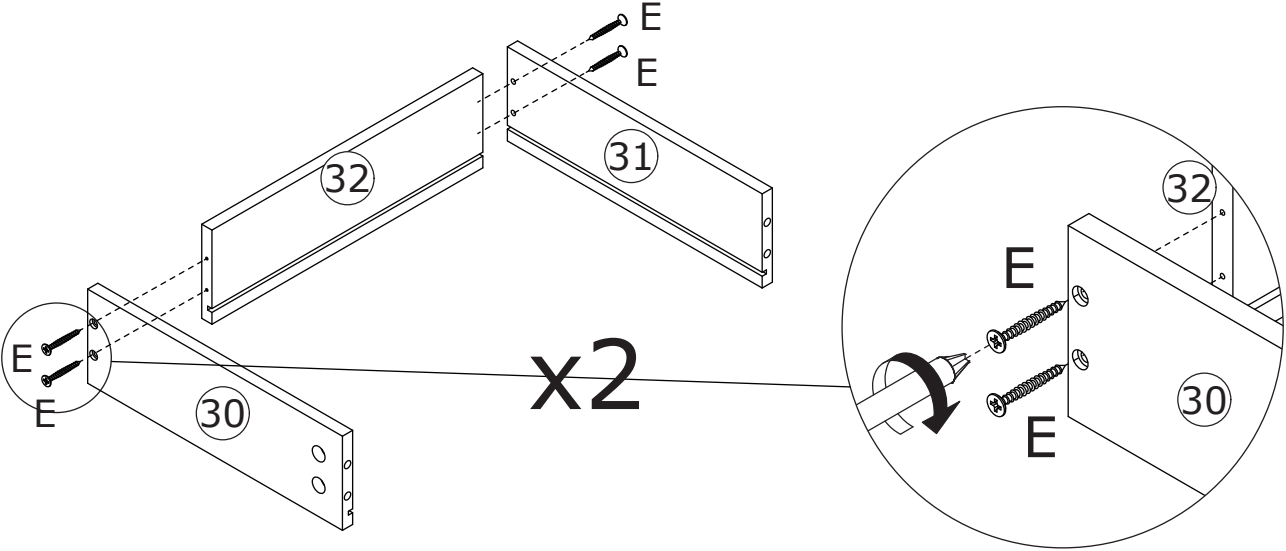
Screw eccentric rod(A) onto board 29 as shown.



45

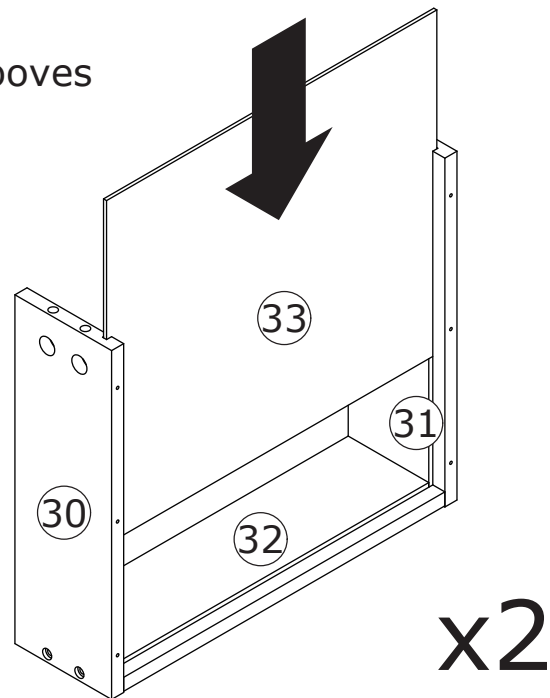


Connect boards 30, 31, and 32 using screw(E) as shown.



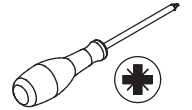
46

Slide board 33 along the grooves as shown.

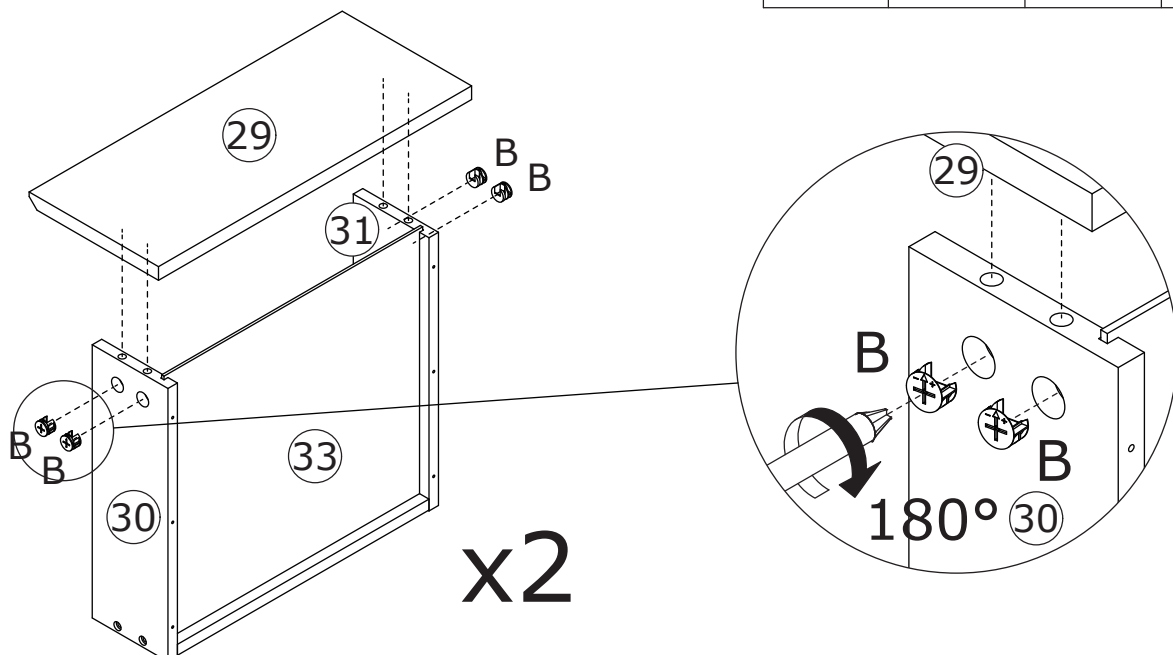
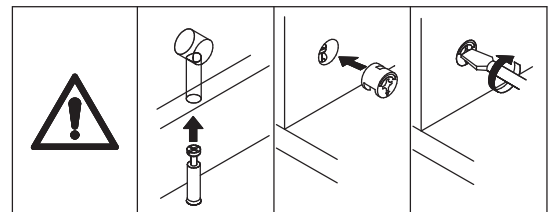


47

B x 8
Ø 15 x 9 mm



Connect board 29 to the component, then tighten by turning eccentric wheel (B) clockwise as shown.



48

D x 12

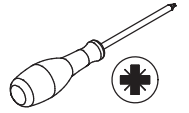
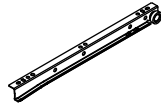


Ø3 x 12 mm

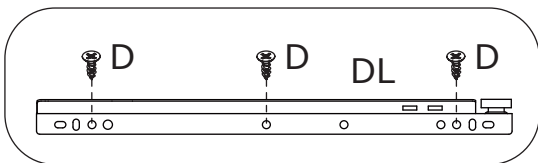
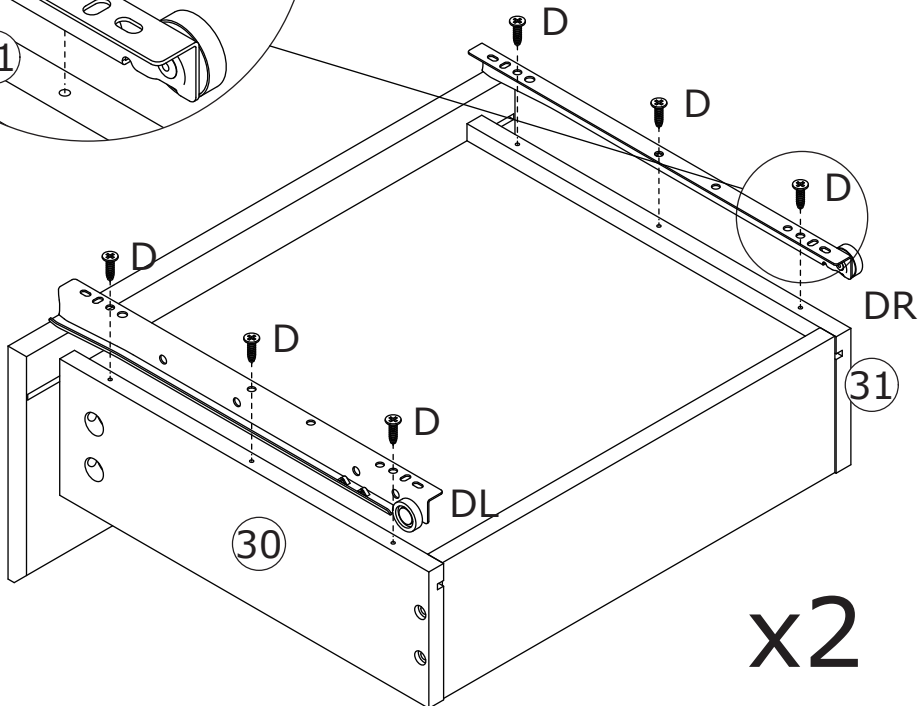
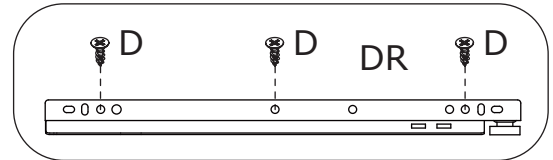
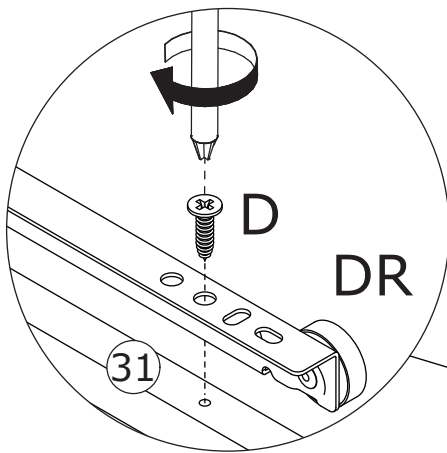
DL x 2



DR x 2

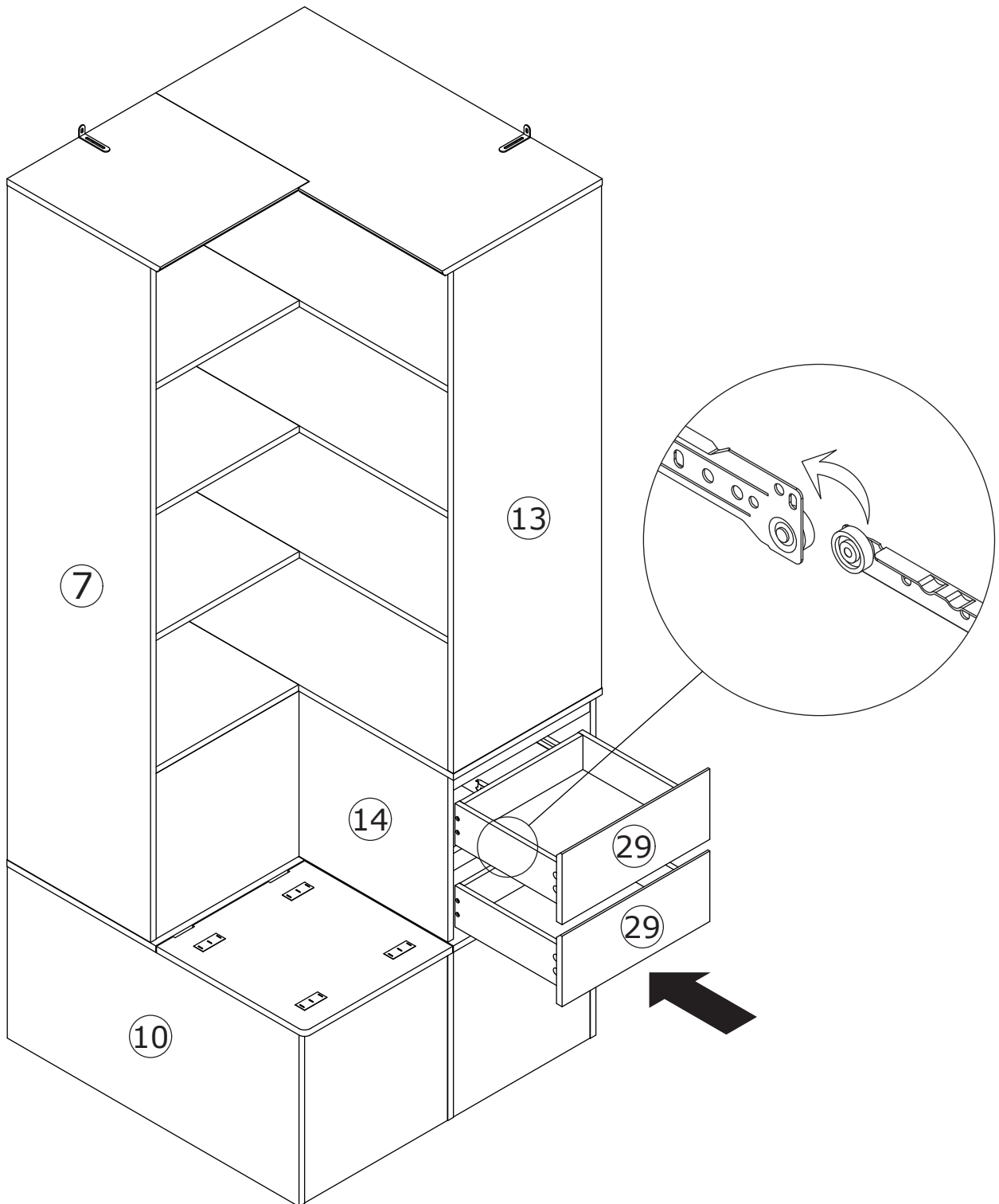


Secure slide rail(DL) and (DR) to board 30 and 31 using screw(D) as shown.



49

Align rails, slide the drawers.



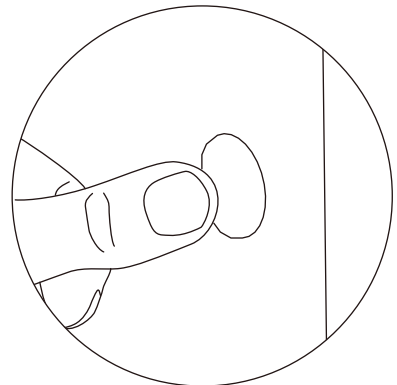
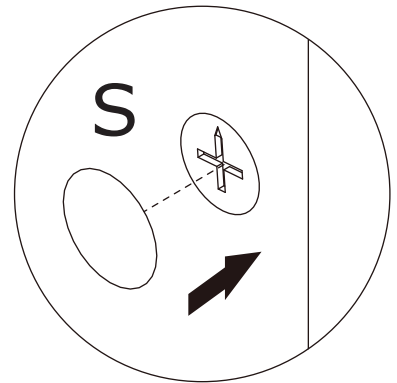
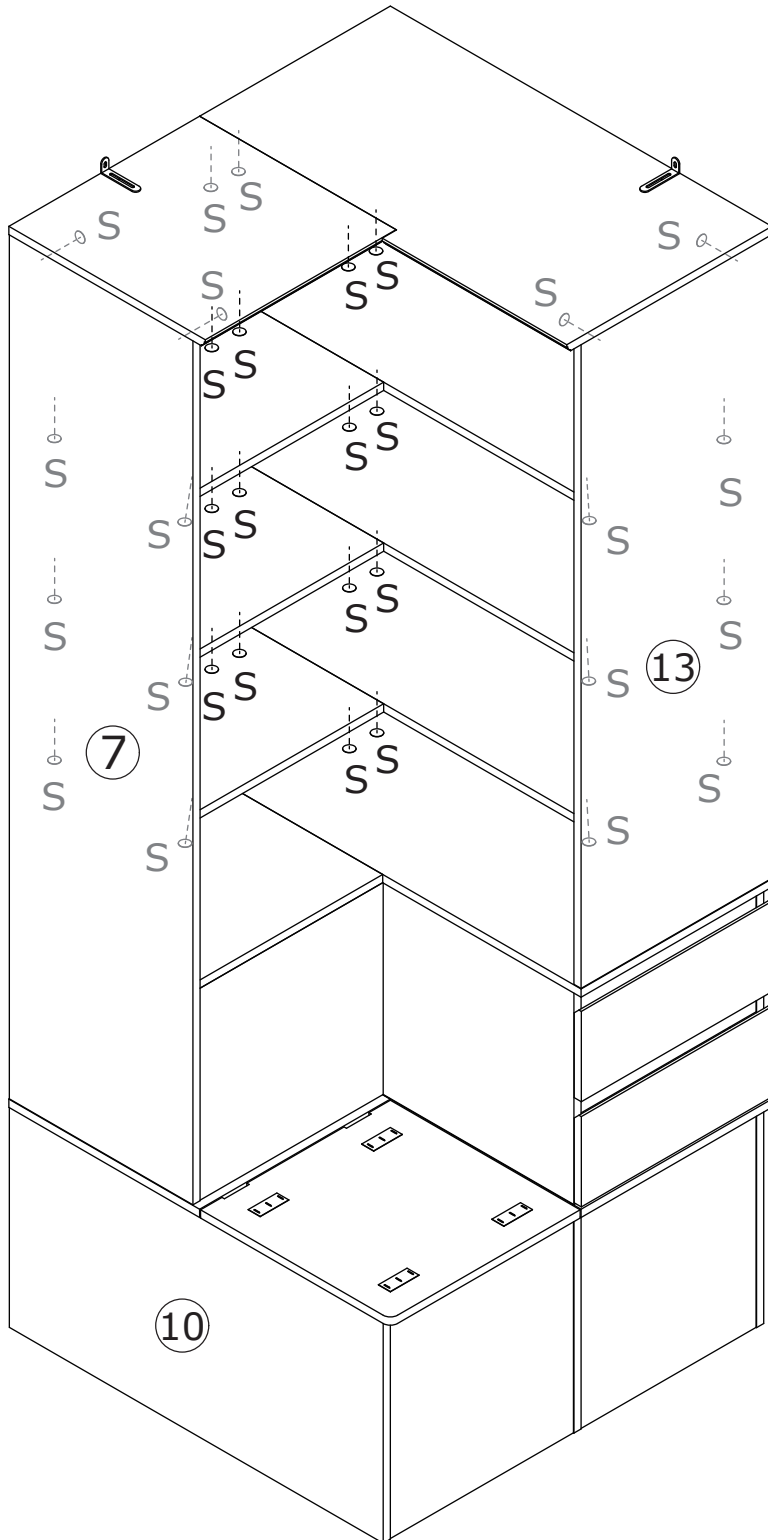
50

S x 32

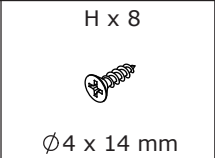
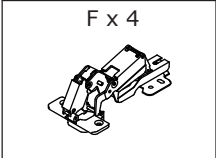


Ø 20 mm

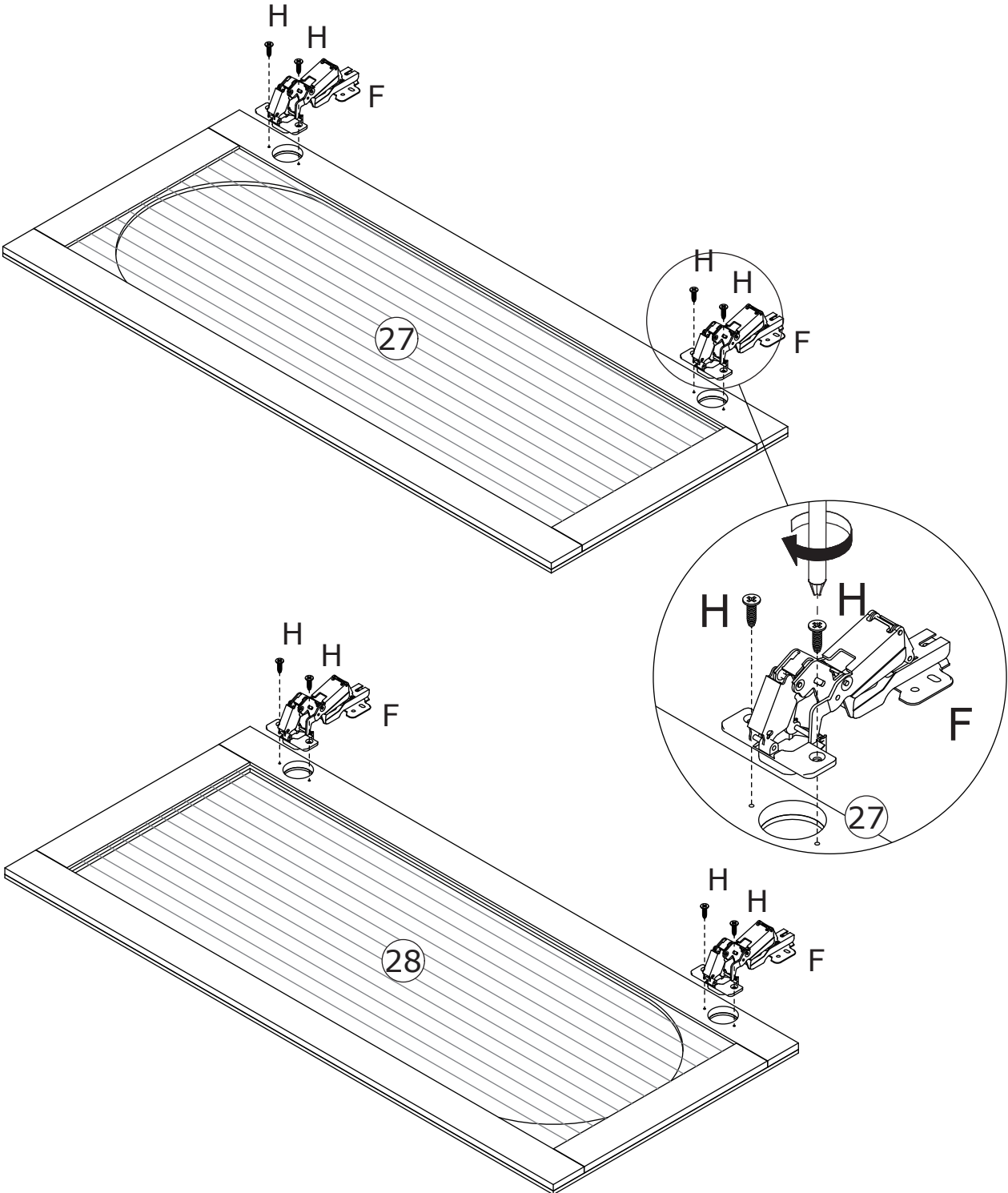
Cover the holes using sticker(S).



51



Secure hinge (F) to board 27 and 28 using screw(H) as shown.

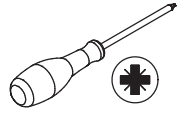


52

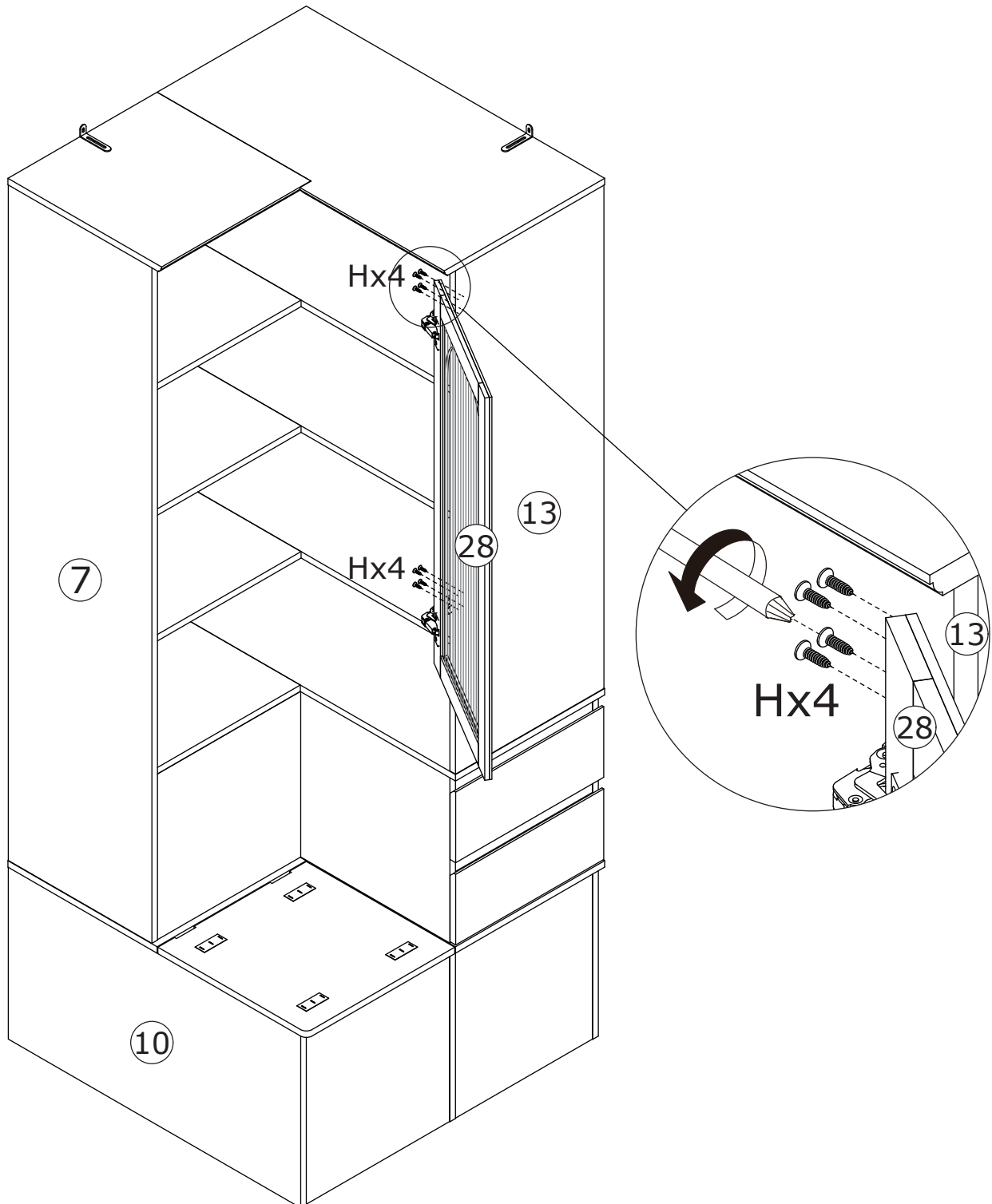
H x 8



Ø4 x 14 mm



Secure board 28 to board 13 by securing hinges using screw(H) as shown.

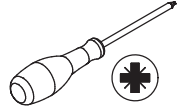


53

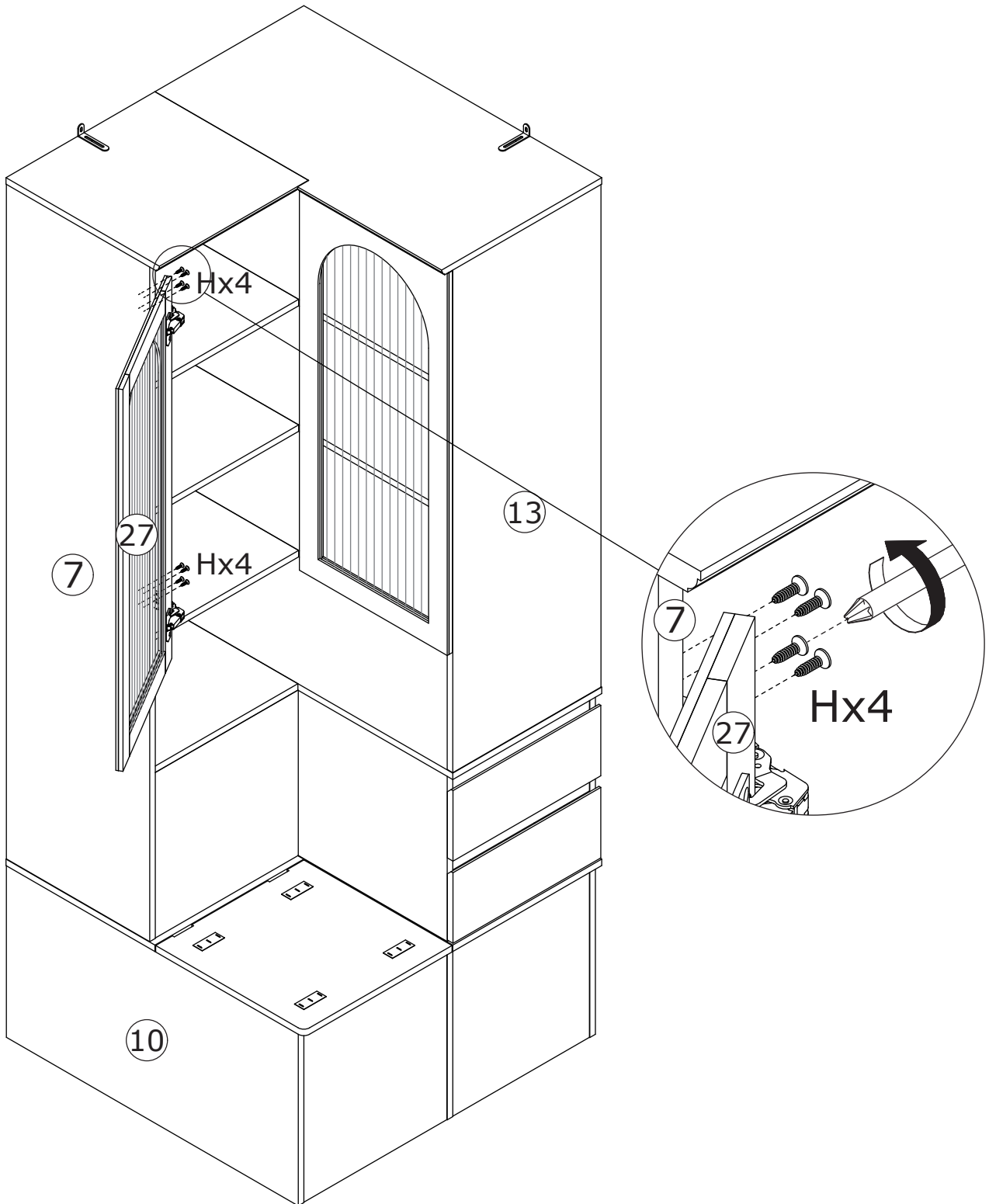
H x 8

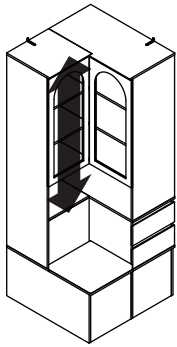
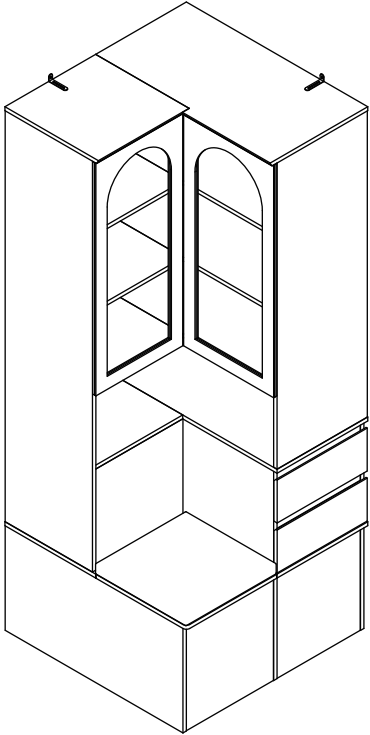
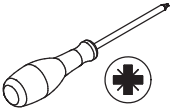


Ø4 x 14 mm

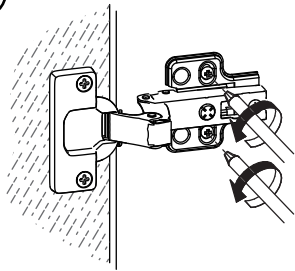


Secure board 27 to board 7 by securing hinges using screw(H) as shown.

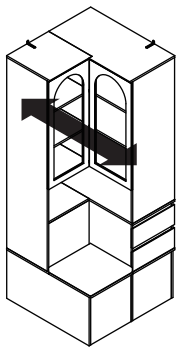
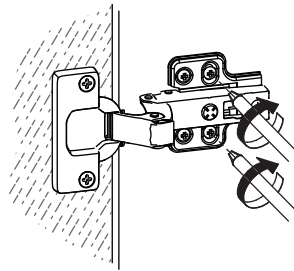
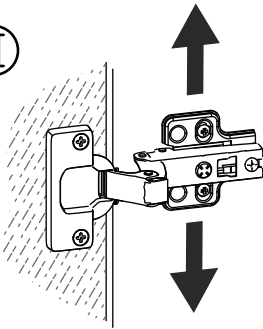




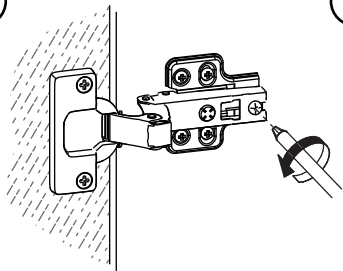
Ⓘ



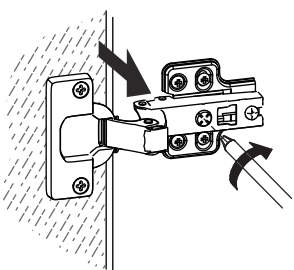
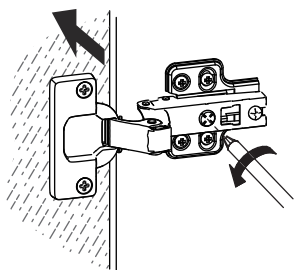
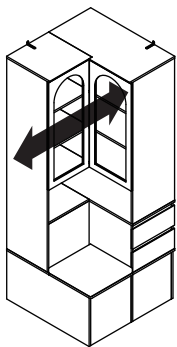
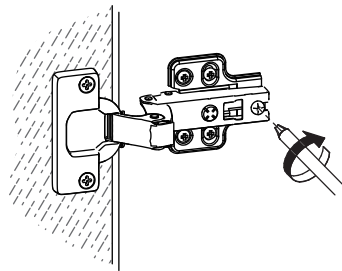
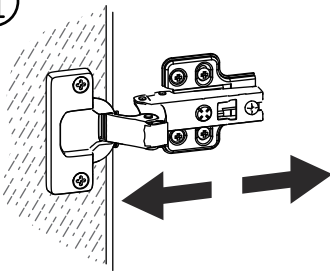
Ⓙ



Ⓘ



Ⓙ



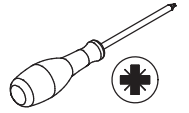
55

G x 48

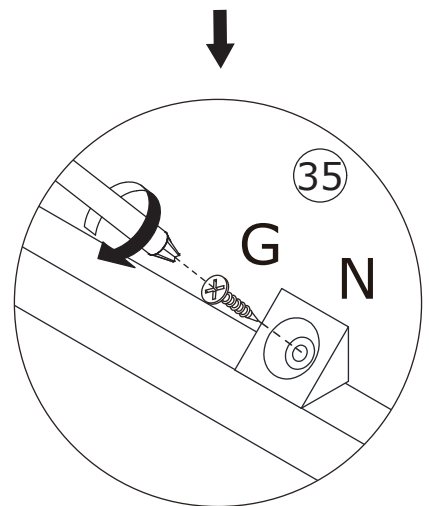
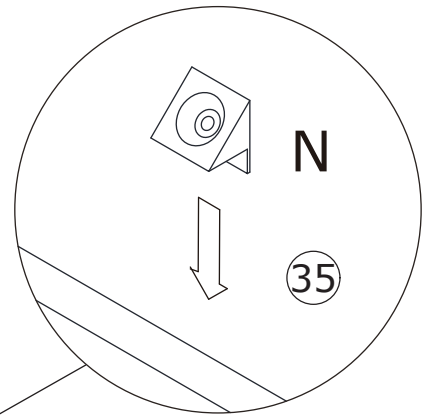
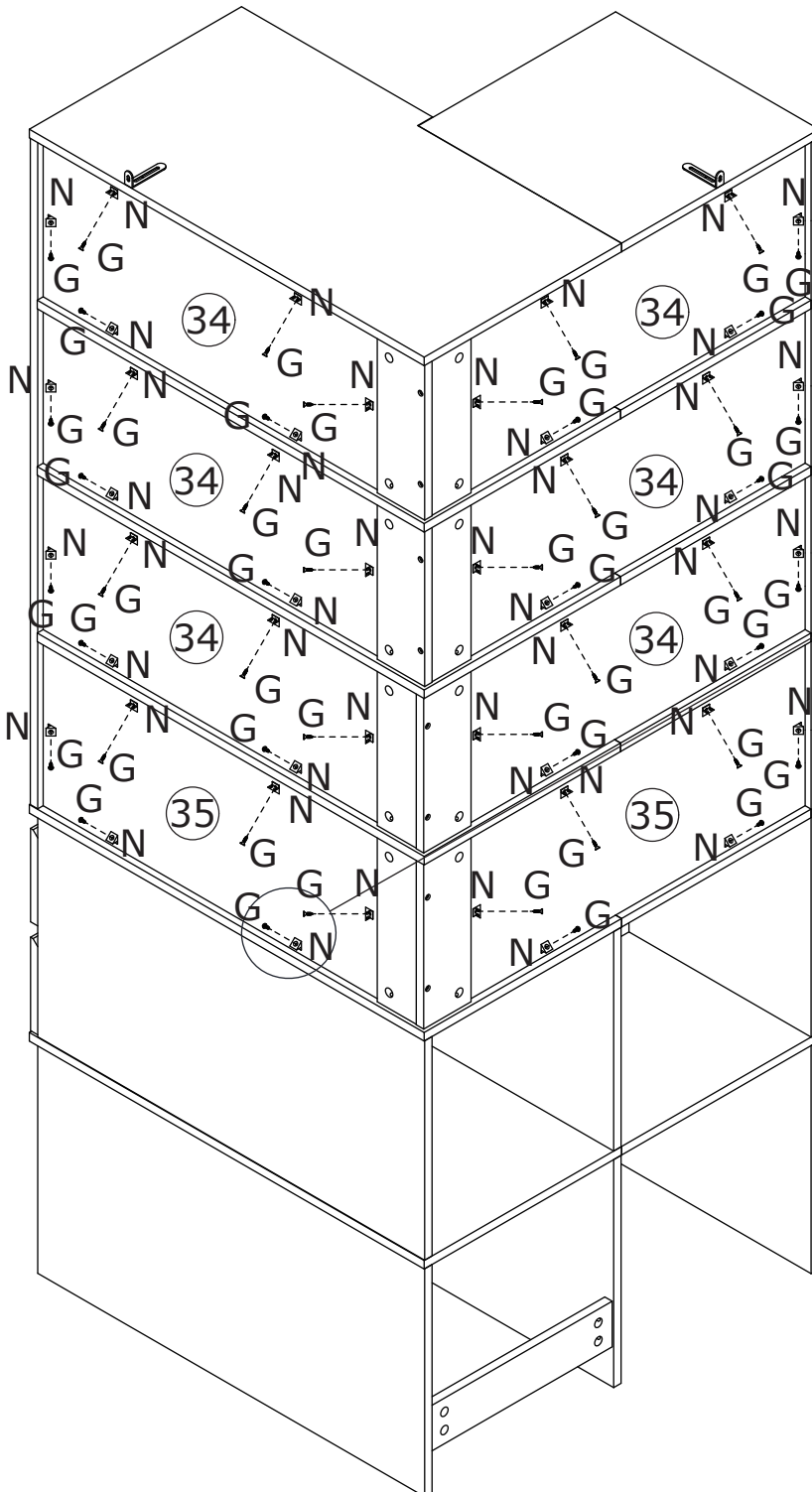


Ø3 x 14 mm

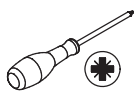
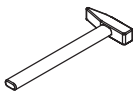
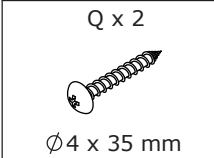
N x 48



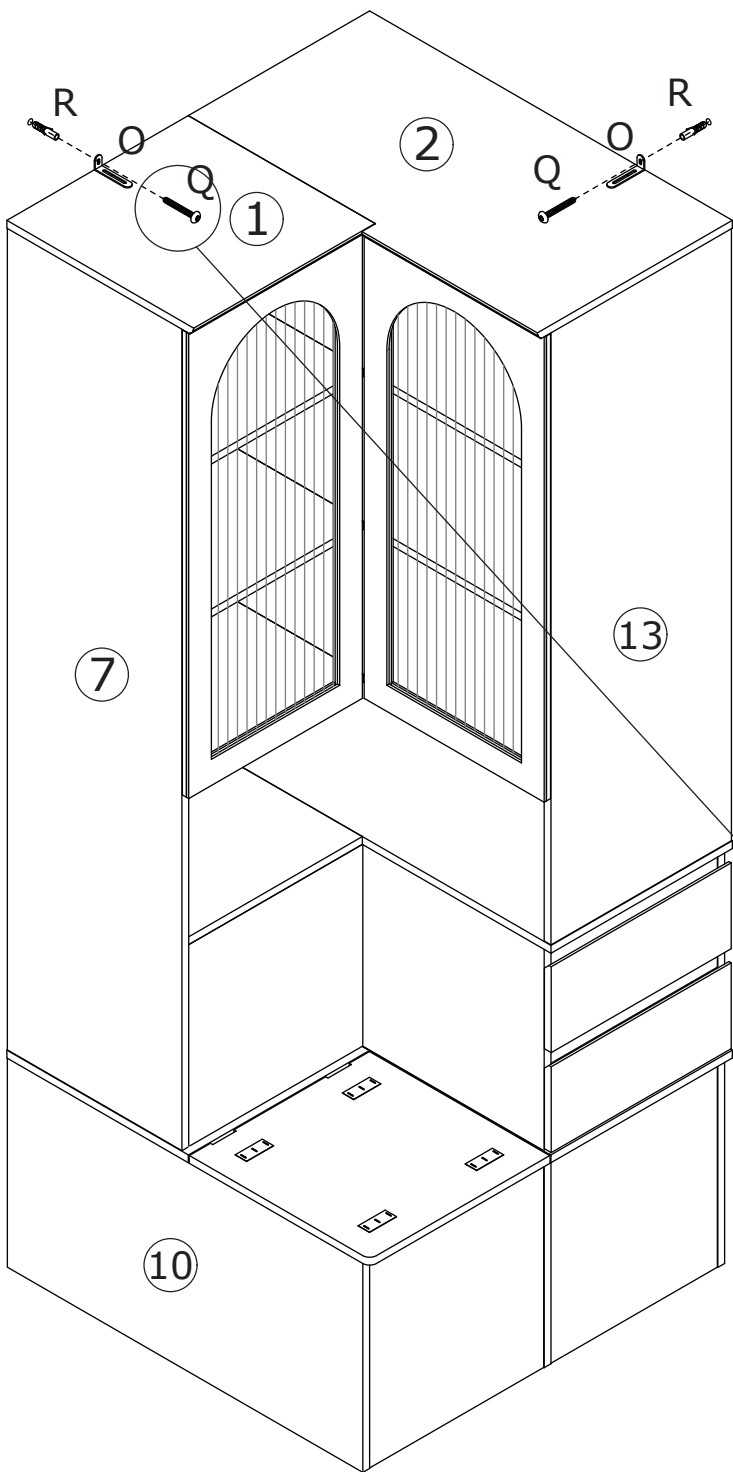
Insert buckle(N) into back slots and secure using screw(G) as shown.



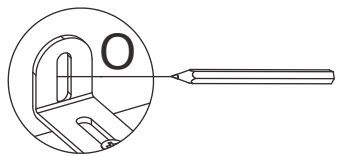
56



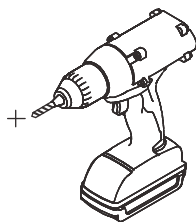
Drill holes on your wall, knock part(R) into.
Fix the unit to wall using screw(Q) as shown.



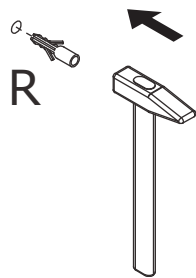
1.



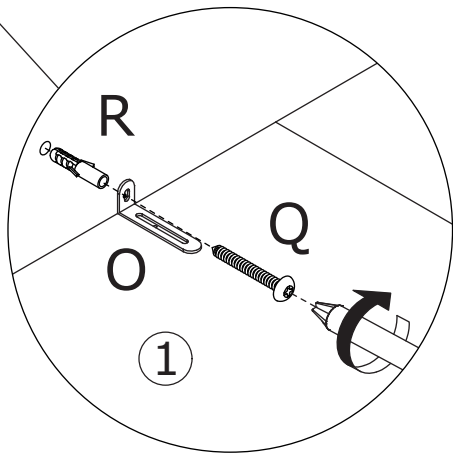
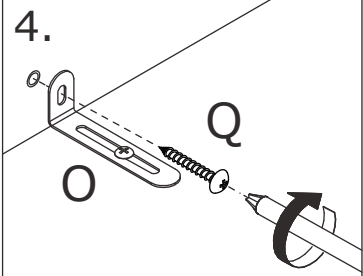
2.



3.

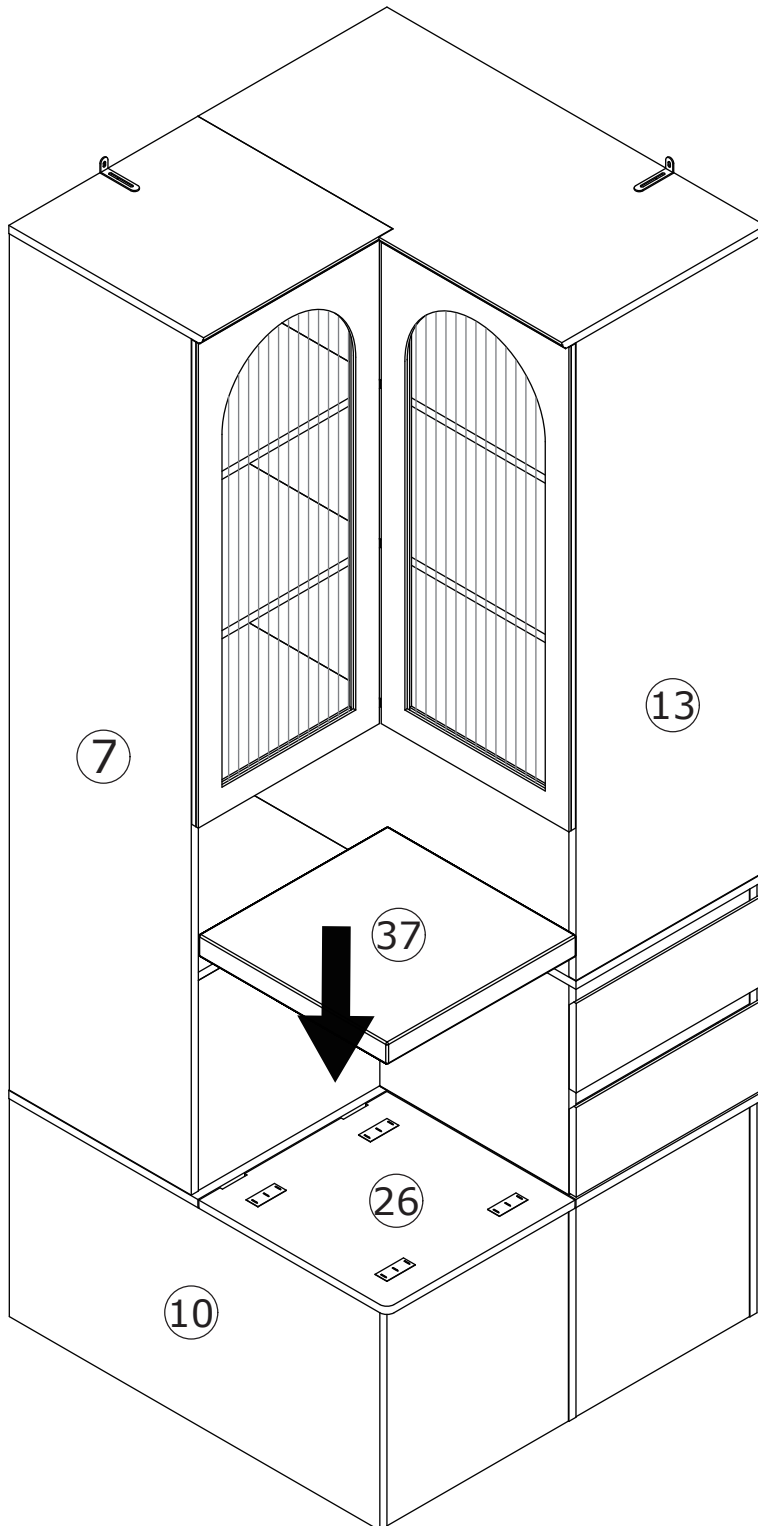


4.



57

Place the cloth pad 37 onto board 26 as shown.



WARRANTY

WARRANTY CLAIMS

- There is a 30-day warranty for broken furniture or any other problems that do not work properly. The warranty will start from the date of purchase which must be verified by proof of purchase.
- Before making a claim, we may be able to answer your query, simply call us. Please leave your purchase order number, along with some details of the problem, if you want a replacement part. We will arrange within 48 hours. If there is out of stock, we will reply with a shipping date.
- The product must be used in accordance with the instructions provided. For health reasons.
- For other reasons, if the furniture needs to be returned, it must be cleaned and dried and operated within 30 days of receipt.

Type of Warranty Claim

- Failure to follow the furniture instructions will invalidate the warranty. Attention please.
- Does not include damage during installation, but includes damage during transportation.

Scope of responsibility

- Shall not bear any responsibility for misuse or user damage and / or loss of parts during the installation of furniture.
- After using, the damage and scratches of the furniture are not covered by the warranty.

The Warranty Relates to All Bought in The Us and Covers The Following Areas

- Sheet parts: 1 month from the date of purchase.
- Electrical parts: 1 month from the date of purchase.

RETURNS

CHANGED YOUR MIND AND NEED TO RETURN YOU ITEM?

PLEASE FOLLOW THE BELOW INSTRUCTIONS:

- If you have purchased and have simply changed your mind, follow the retailer's instructions for returns.

DEFECTIVE ITEMS

- If your item is defective in any way, i.e. it doesn't work but you can't identify why, in the first instance, please call us.

DAMAGED ITEMS

- If you receive an order with obvious shipping damage from the retailer, then we suggest the delivery is refused. If the delivery has been accepted and then shipping damage is found, please follow the specific instructions advised by the retailer.
In all circumstances please save all packaging material and paperwork for the order. Please be aware that if you dispose of packaging material or attempt to return the merchandise without contacting the fulfiller, you jeopardise your chances of making a claim, and you may not receive a credit for the return.