

NOTE:

This brochure contains **IMPORTANT** safety info. Please read and keep for future reference.

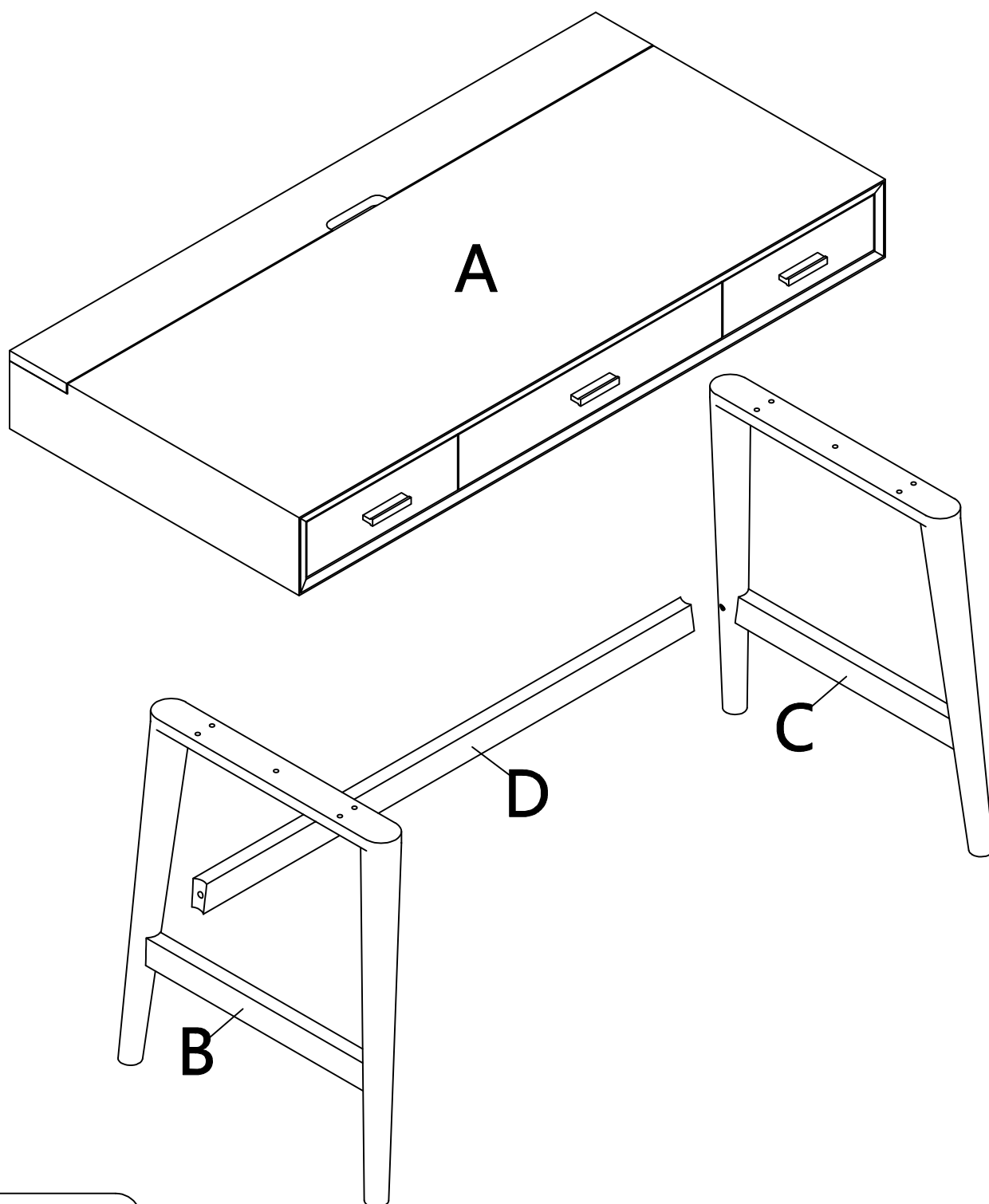
MAINTENANCE AND WARNING

- 1.Keep furniture away from heat sources.
- 2.Do not clean furniture with harsh cleaner or polishes.Do not use detergents,solvents,abrasives,spray packs or leather cleaner. Use non-color mild soa with warm water to clean spills(Mix 1:10 soap to water).
- 3.Do not place furniture under direct sunlight,material will possibly fade over time.
- 4.Do not use on site dry cleaning machine.Children should not climb or jump on the furniture.
- 5.Do not write on furniture that is not protectedby a padded barrier.
- 6.Not for commercial use,only for residential use.

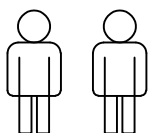


Weight Limitation
150 LBS

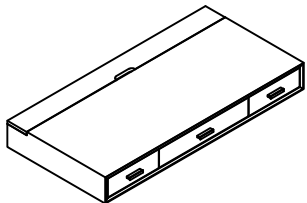
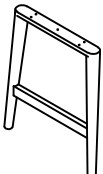
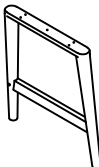
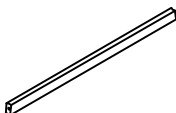
EXPLOSIVE VIEW




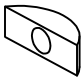



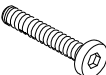

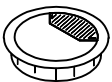
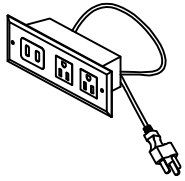

2 PERSONEN





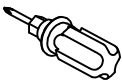
PARTS LIST

| | | | | | | | |
|--|-----------|---|-----------|--|-----------|---|-----------|
| A | x1 | B | x1 | C | x1 | D | x1 |
|  | |  | |  | |  | |

HARDWARE LIST

| | | | | | | | | | | | |
|---|-----------|---|-----------|---|-----------|---|------------|--|------------|--|------------|
| #1 | x2 | #2 | x2 | #3 | x2 | #4 | x10 | #5 | x10 | #6 | x10 |
|  | |  | |  | |  | |  | |  | |
| $\phi 5/16" * 3"$ | | | | | | $1/4"$ | | $1/4"$ | | $\phi 1/4" * 1-1/4"$ | |
| #7 | x2 | #8 | x1 | #9 | x1 | #10 | x2 | | | | |
|  | |  | |  | |  | | | | | |
| | | | | | | $\phi 3 * 12\text{mm}$ | | | | | |

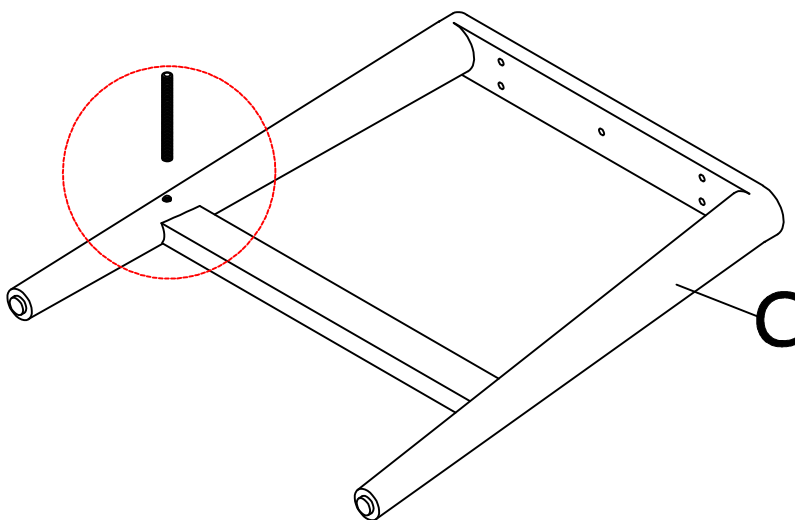
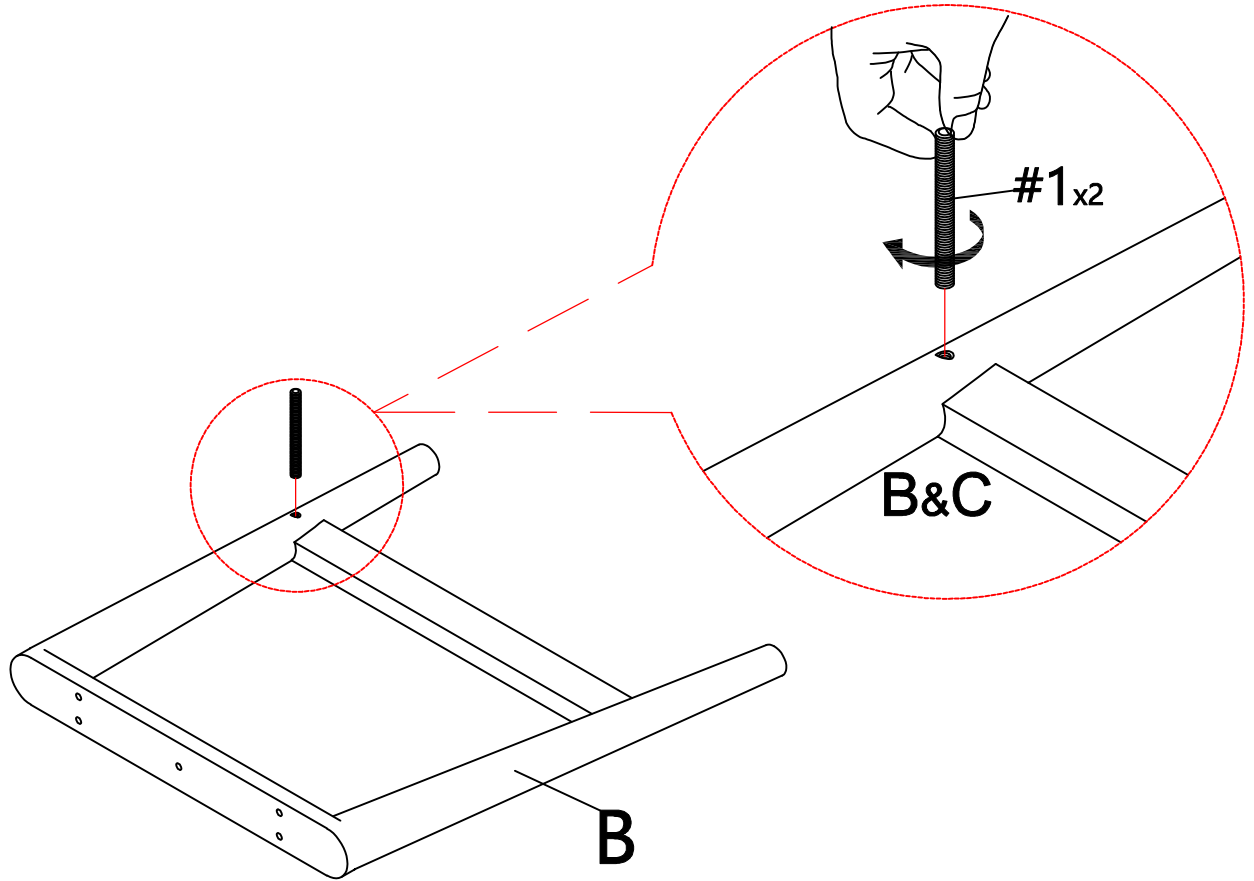
TOOL LIST


| | | | | | |
|---|-----------|---|-----------|---|-----------|
| #11 | x1 | #12 | x1 | #13 | x1 |
|  | |  | |  | |
| | | M4 | | | |

ASSEMBLY INSTRUCTIONS

STEP-1

1. Install screw #1 into the corresponding holes of B and C.

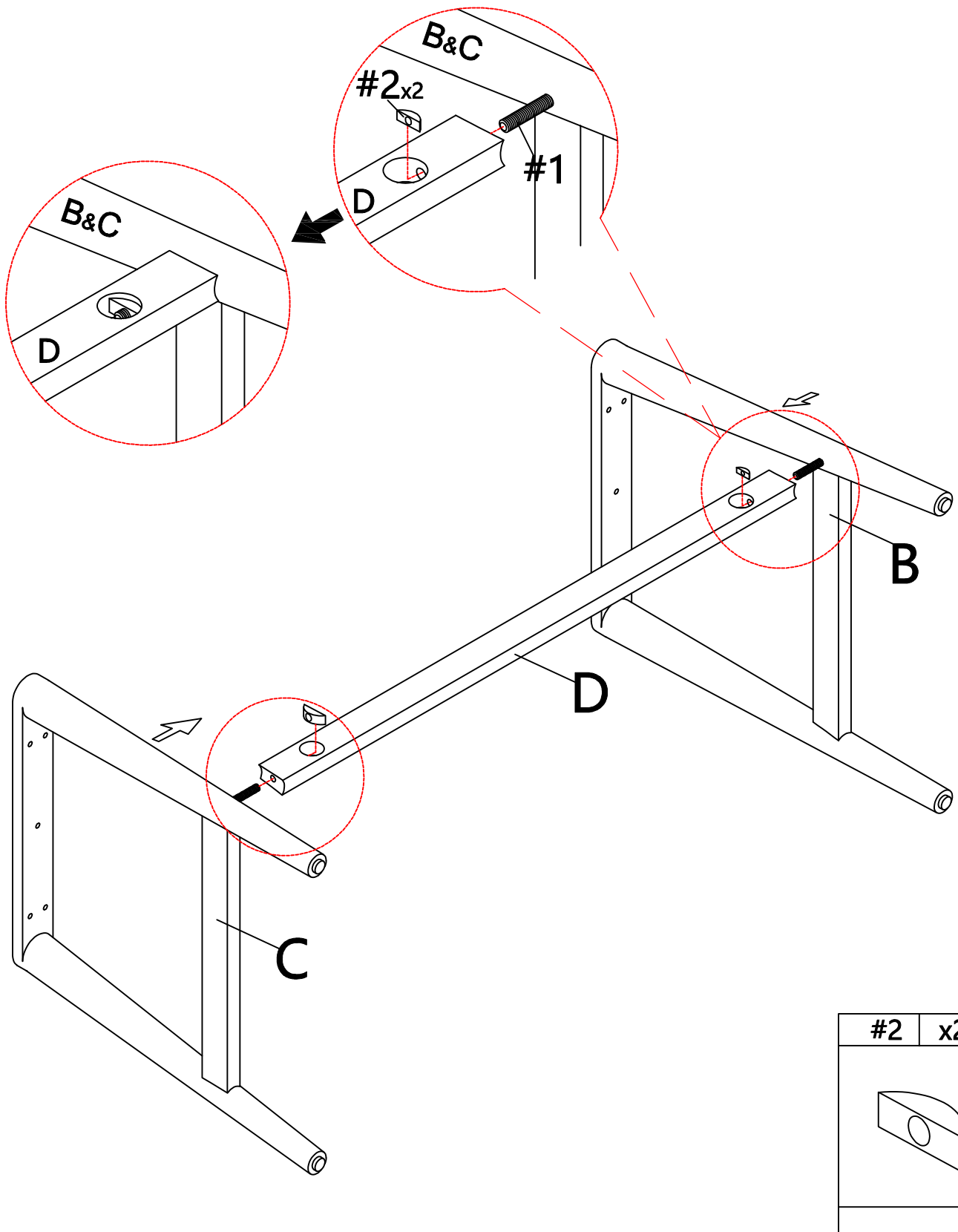


| | |
|---|----|
| #1 | x2 |
|  | |
| ø5/16"×3" | |

ASSEMBLY INSTRUCTIONS

STEP-2

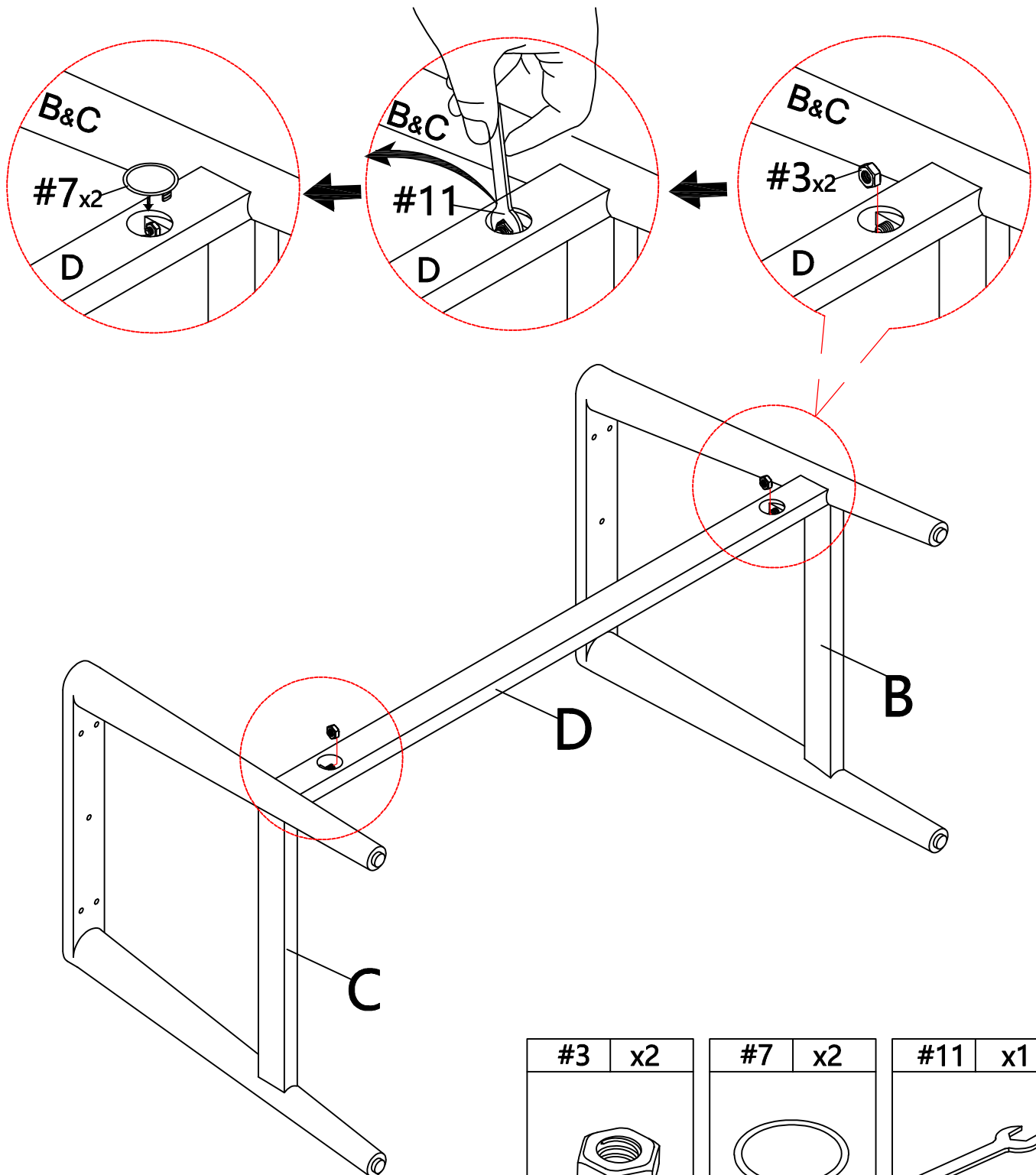
1. Insert bottom rail D into leg (C&B) , make sure all holes aligned , and Insert part #2 into the hole of part D, making sure the orientation is correct, as picture show.






ASSEMBLY INSTRUCTIONS

STEP-3

1. Insert nut #3 into the hole of part D, align it with screw #1, and tighten with wrench #11.

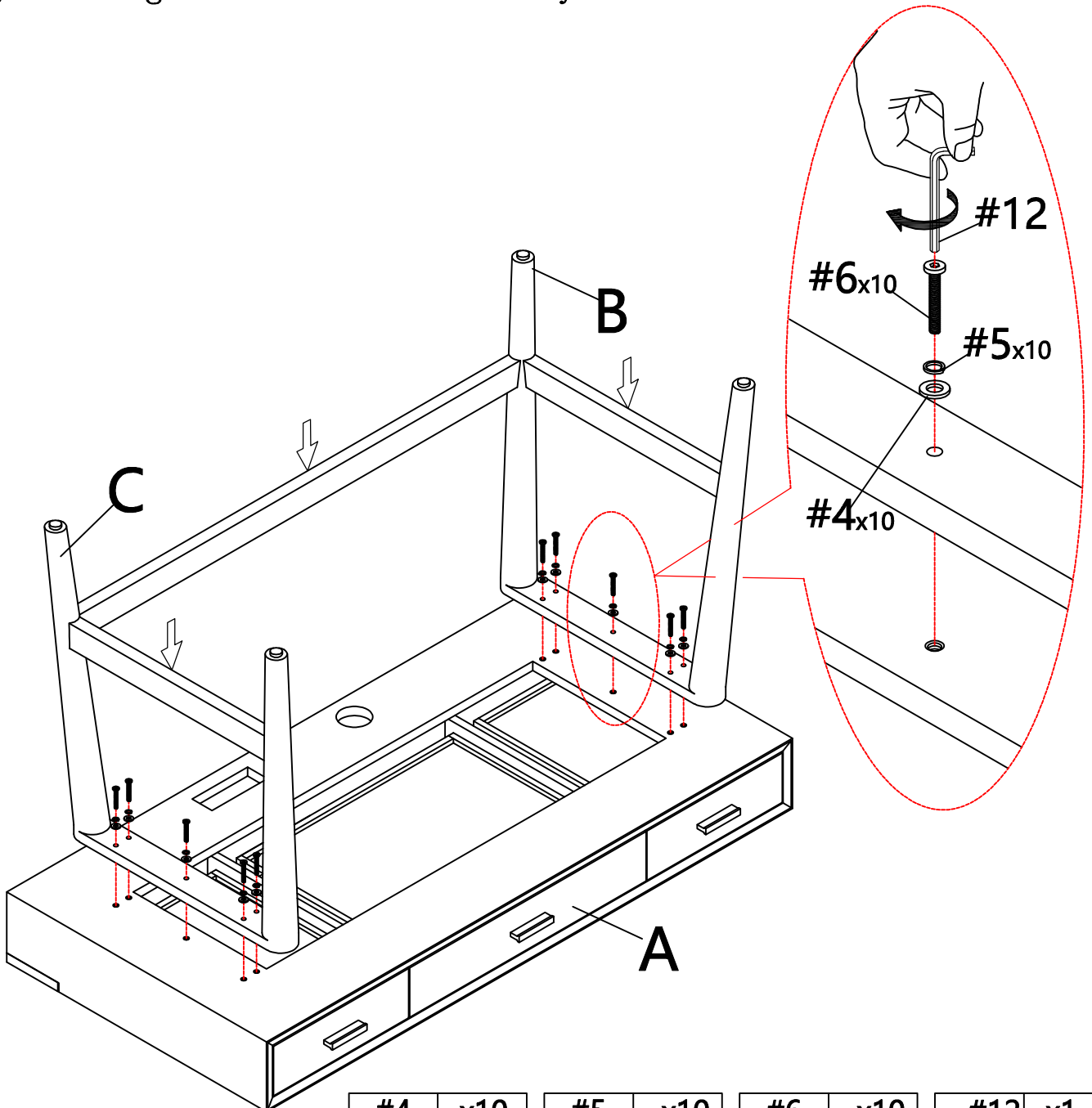




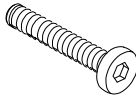
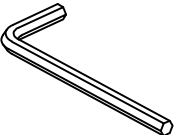
| #3 | x2 | #7 | x2 | #11 | x1 |
|---|----|---|----|---|----|
|  | |  | |  | |

ASSEMBLY INSTRUCTIONS

STEP-4

1. Insert gasket #5 and #4 in sequence into screw #6, Insert leg stand into part A, Connect the leg stand to part A, ensure the corresponding holes are aligned, insert the assembled screw #6, and tighten it with Allen key #12.



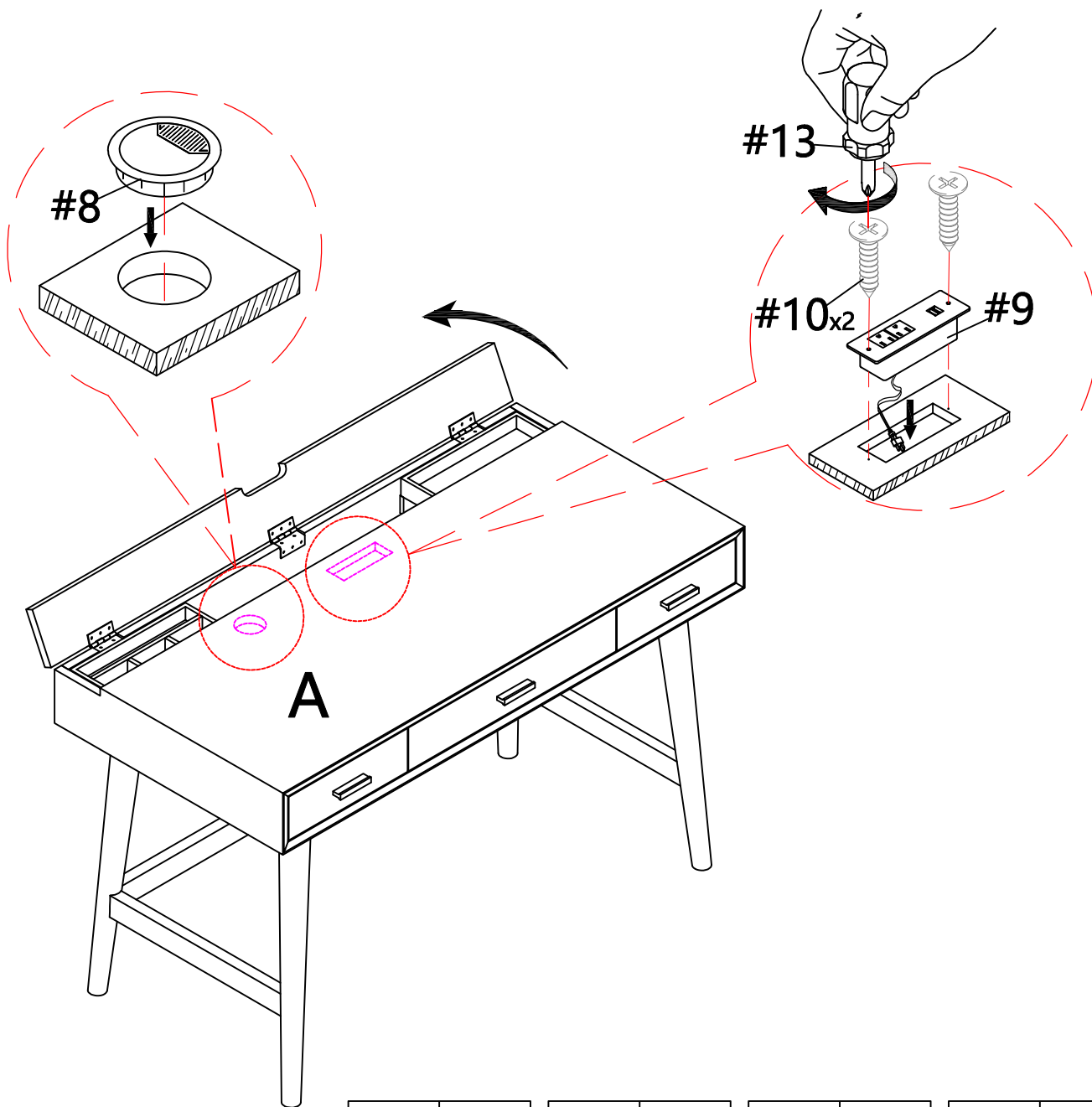
| | | | | | | | |
|---|-----|---|-----|---|-----|---|----|
| #4 | x10 | #5 | x10 | #6 | x10 | #12 | x1 |
|  | |  | |  | |  | |
| 1/4" | | 1/4" | | φ1/4"*1-1/4" | | M4 | |

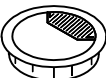
ASSEMBLY INSTRUCTIONS

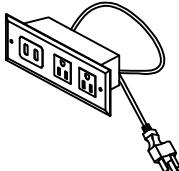
STEP-3

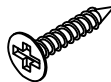
1. Install coil #8 on the cabinet.

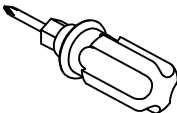
Install the outlet #9 on the cabinet using screw #10 and tighten screw 10 using screwdriver #13.



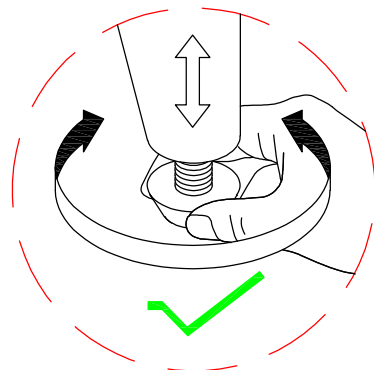
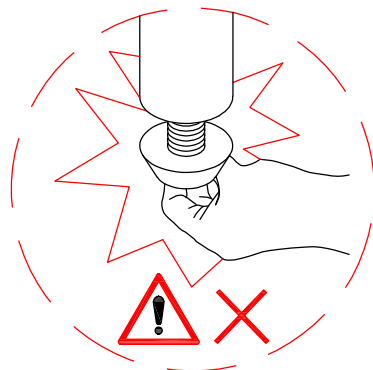
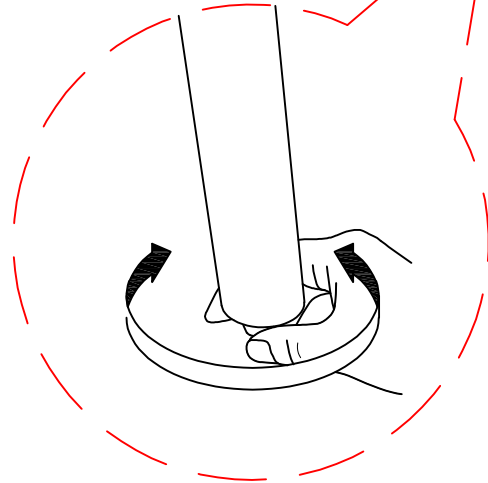
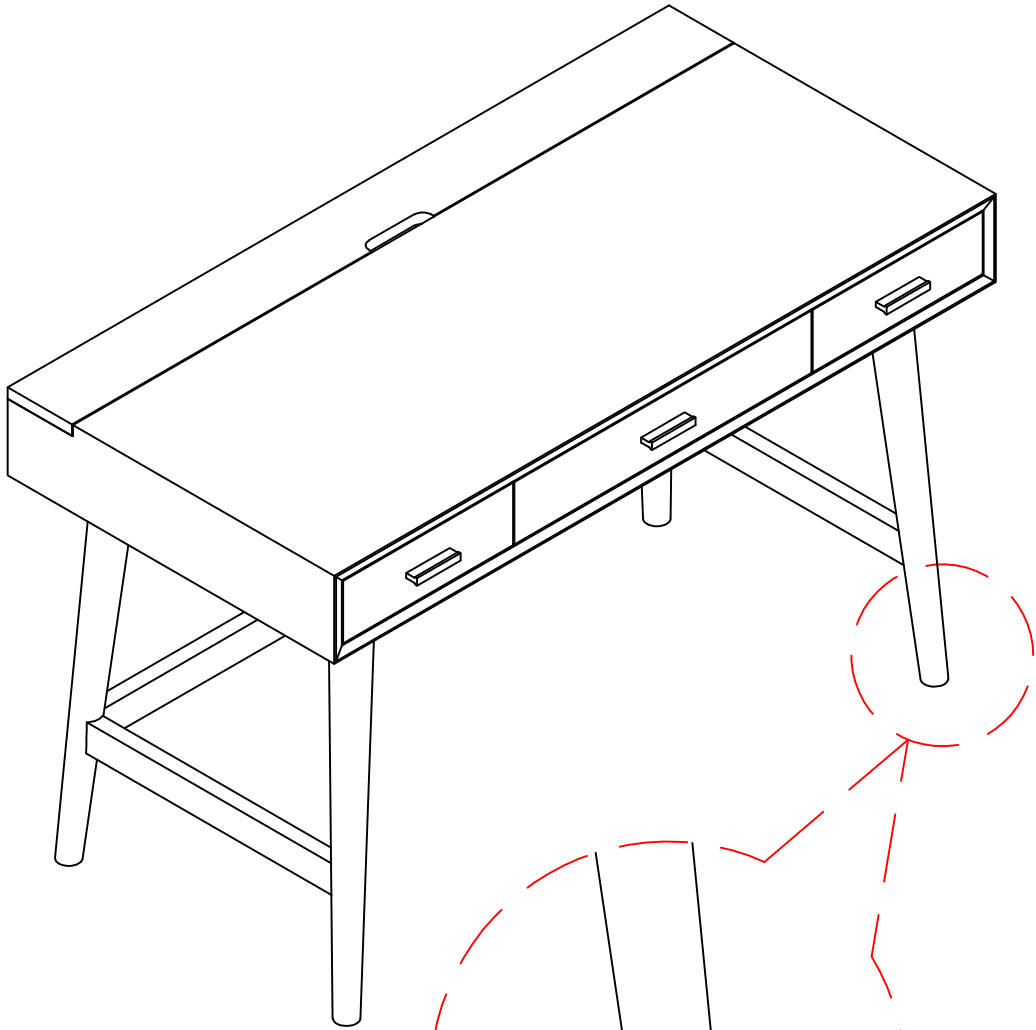
| | |
|---|----|
| #8 | x1 |
|  | |
| | |

| | |
|--|----|
| #9 | x1 |
|  | |
| | |

| | |
|---|----|
| #10 | x2 |
|  | |
| ø3*12mm | |

| | |
|---|----|
| #13 | x1 |
|  | |
| | |

ASSEMBLY INSTRUCTIONS



WARRANTY

1. We strive to offer high-quality products, and we also try our best to satisfy each and every customer that orders from us with product or service as needed.
2. We provide 30 days warranty starting from the time you receive the item. Each customer must provide a record of their order such as the order number, or item receipt for any items that are out of the warranty period you may also still receive.
3. Replacement parts by purchasing them with our company if they are available.

Are you having difficulty
With assembly? Missing parts?
Please send email with your order No

For return, please check the return policy with
the retailer or market place you bought from.

Appreciate your purchasing from us.
Pop up your life by our furniture piece!