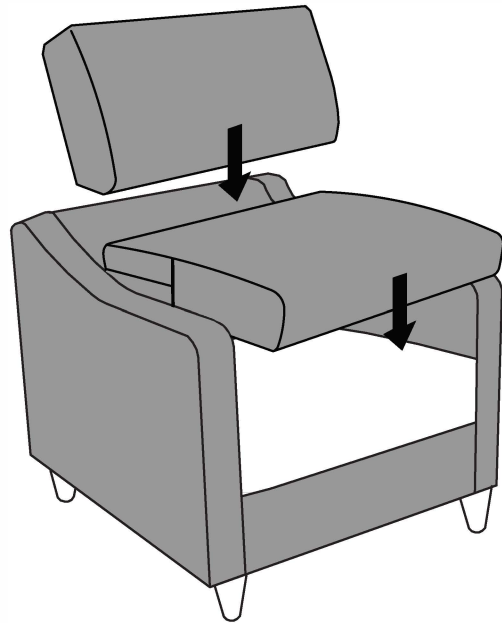


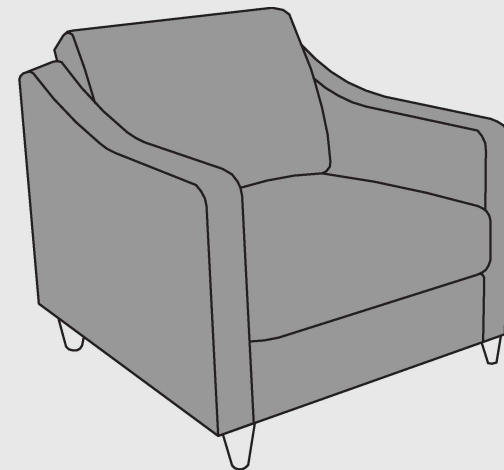
Model: \_\_\_\_\_

Lot No: \_\_\_\_\_

Date of Purchase: \_\_\_\_\_



## Chair



### ADULT ASSEMBLY REQUIRED

If you are missing any parts or have any questions regarding assembly, do not return this item to the retailers store. Please call our toll-free customer service number and have this assembly manual open to the parts list ready to provide the model name, and part name or number.



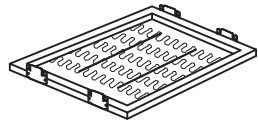
**WARNING:** This product may contain small components, please ensure they are kept away from small children.

## PARTS AND HARDWARE

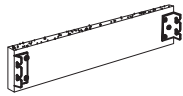
Avoid using sharp objects such as a knife to cut open packing as you may accidentally damage the upholstery.



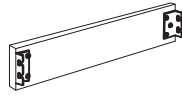
A. 1x



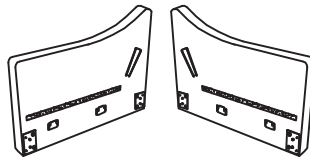
B. 1x



D. 1x

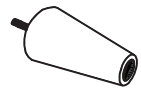


E. 1x



F. 1x

G. 1x



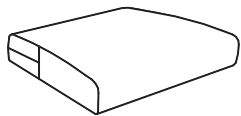
H. 4x



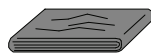
J. 1x



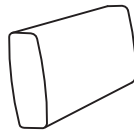
K. 1x



L. 1x

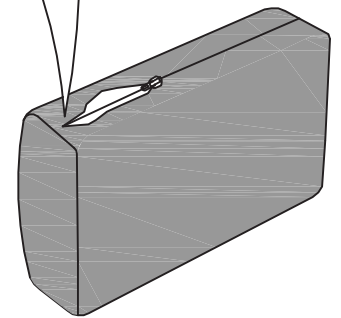
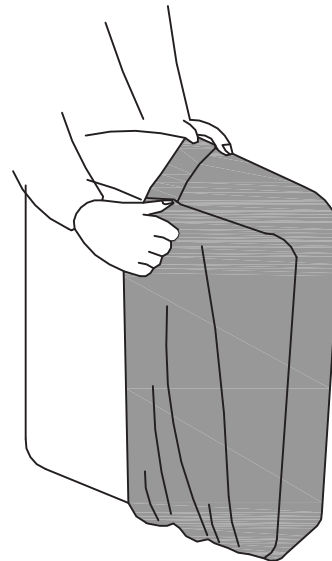
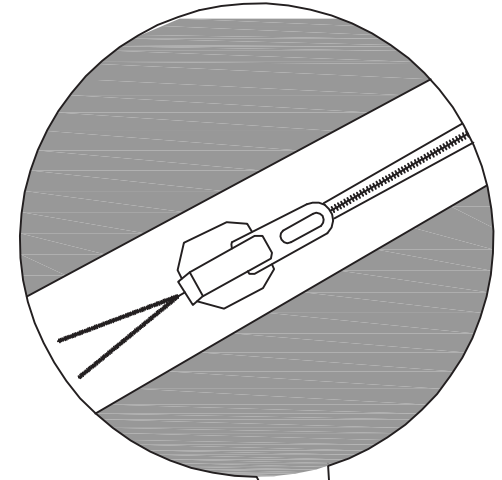
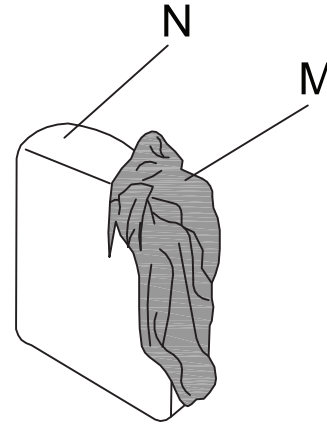


M. 1x

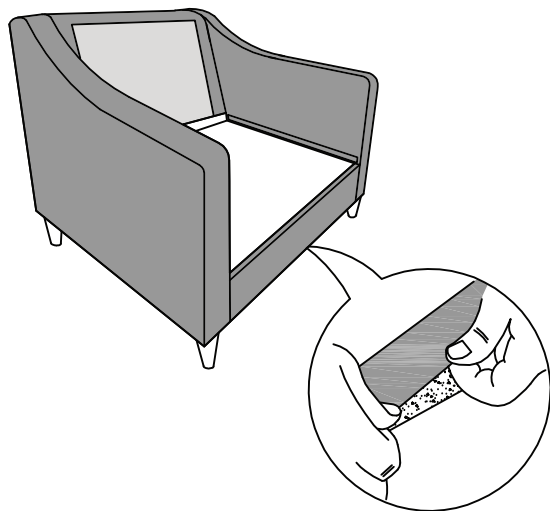


N. 1x

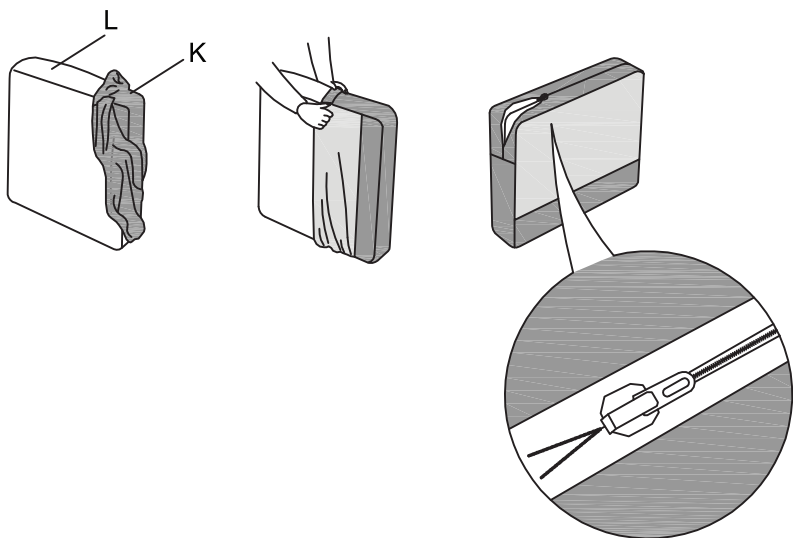
**9** Insert Back Cushions (Part N) into Back cushion covers (Part M). Use Care to make sure cover fits snugly inside.



**7** Clean Up Sofa Cover gently smoothing out any wrinkles and re attaching Velcro for a nice fit finish.



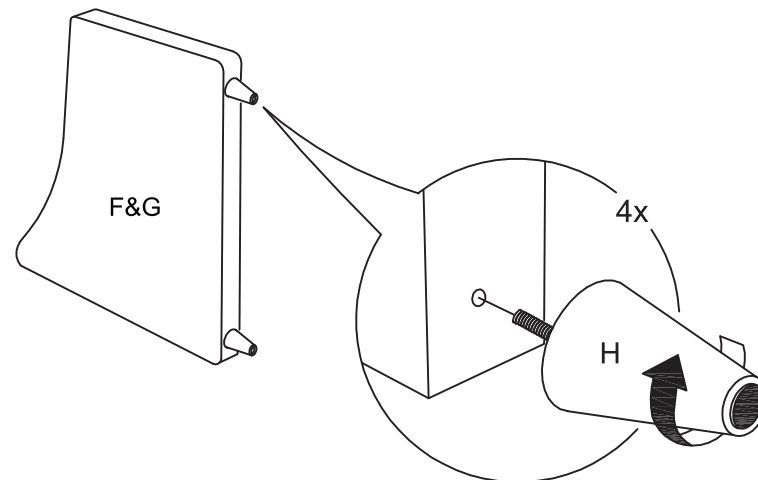
**8** Insert Seat Cushions (Part L) into Seat cushion covers (Part K). Use Care to make sure cover fits snugly inside.



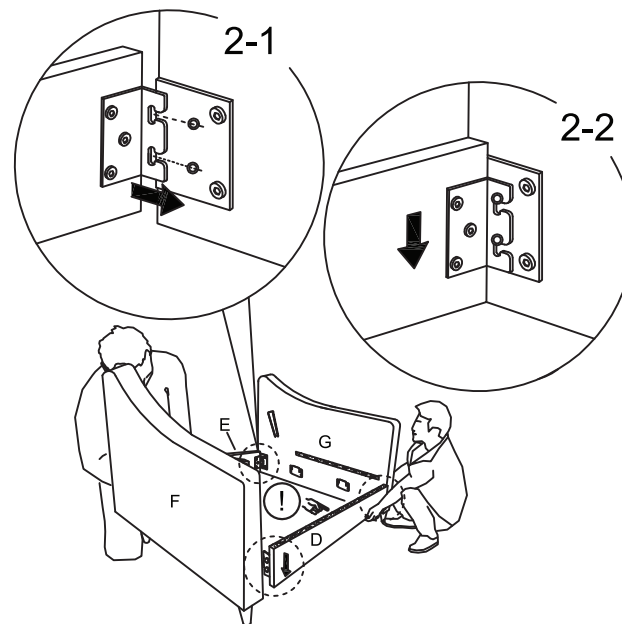
## ASSEMBLY INSTRUCTIONS

Do not fully tighten bolts until assembly is complete.

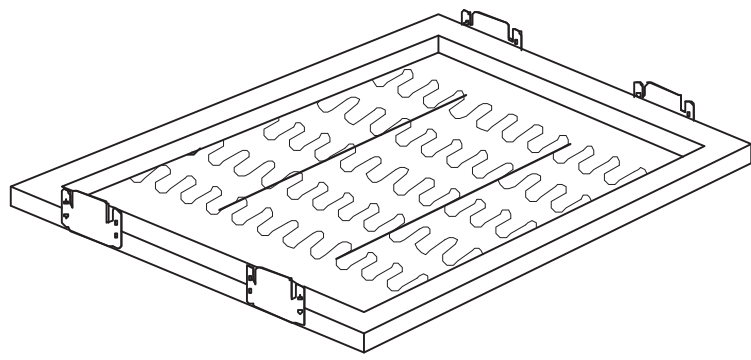
**1** Please locate the Left Arm Facing (Part F) and the Right Arm Facing (Part G). Attach Legs Part H, to the Arms by Inserting the Threaded Post into the Insert Nut and Hand Turning until Tight.



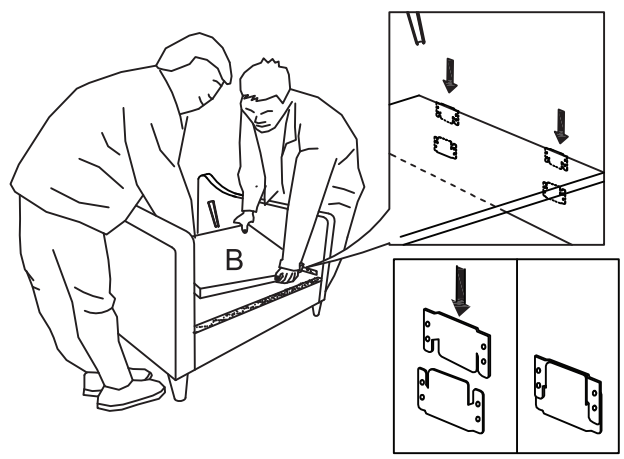
**2** Please use the Arms with legs Attached from Step 1 and Connect the Front Rail (Part D) By Slipping the Bracket Opening over the Fixed Post- Press down to click into Place- Repeat Same Steps for Rear Rail (Part E)



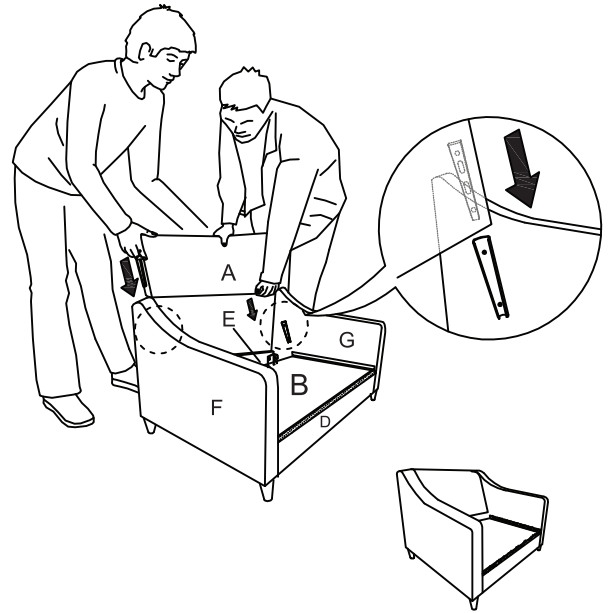
**3** Locate the Seat Deck Frame (Part B). Attach center leg (Part C) using pre threaded post to bottom of seat frame.



**4** Place Connect Seat Deck Frame (Part B) to the Arm and Rail assembly, by placing the two Metal Brackets on the Seat Deck over the metal Brackets Located on Each Arm. The Seat Deck Will Lock into Place.



**5** Insert the Back Deck Frame (Part A) into the Arm Frame Assembly by Sliding the Male End of the Bracket into the Female end of the Bracket Fixed to the Arm Assembly- Two People will simplify this task.



**6** Attach the Sofa Frame Cover (Part J) to the Sofa Frame Assembly. The Cover Attaches to the frame using Velcro. Two People May Be Needed to Attach Cover Neatly.

