

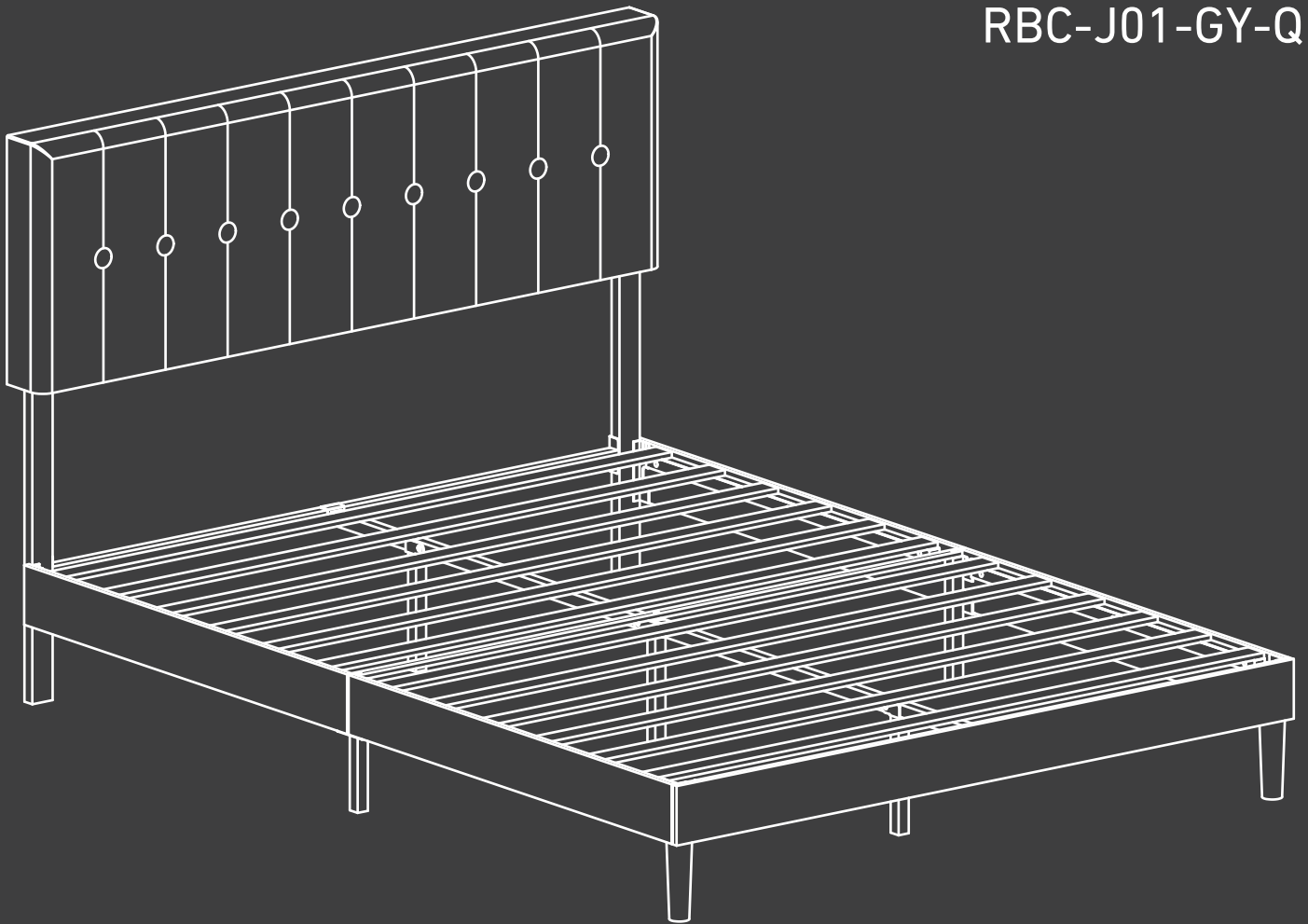
Upholstered Bed Frame

Instruction Manual

RBC-J01-GY-T

RBC-J01-GY-F

RBC-J01-GY-Q



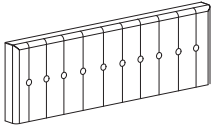
 EST 9:00AM--17:00PM

 HJ-Customer-Service@outlook.com

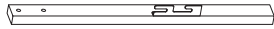
 (909)637-7665 | (909)637-7593

1 Component List

1 x1



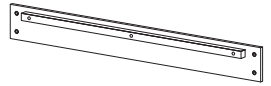
2 x1



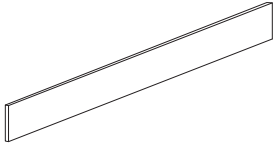
3 x1



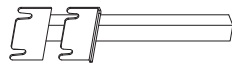
4 x4



5 x1



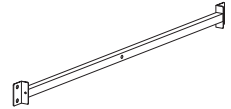
6 x2



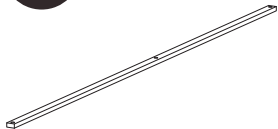
7 x1



8 x1



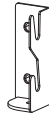
9 x1



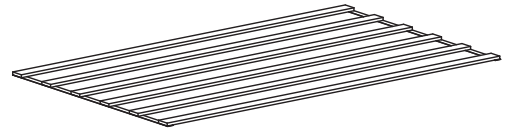
10 x1



11 x1



12 x2

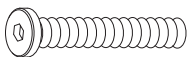


13 x2



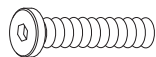
2 Supplied Parts and Hardware

A x3



M6*50mm

B x7



M8*40mm

C x26



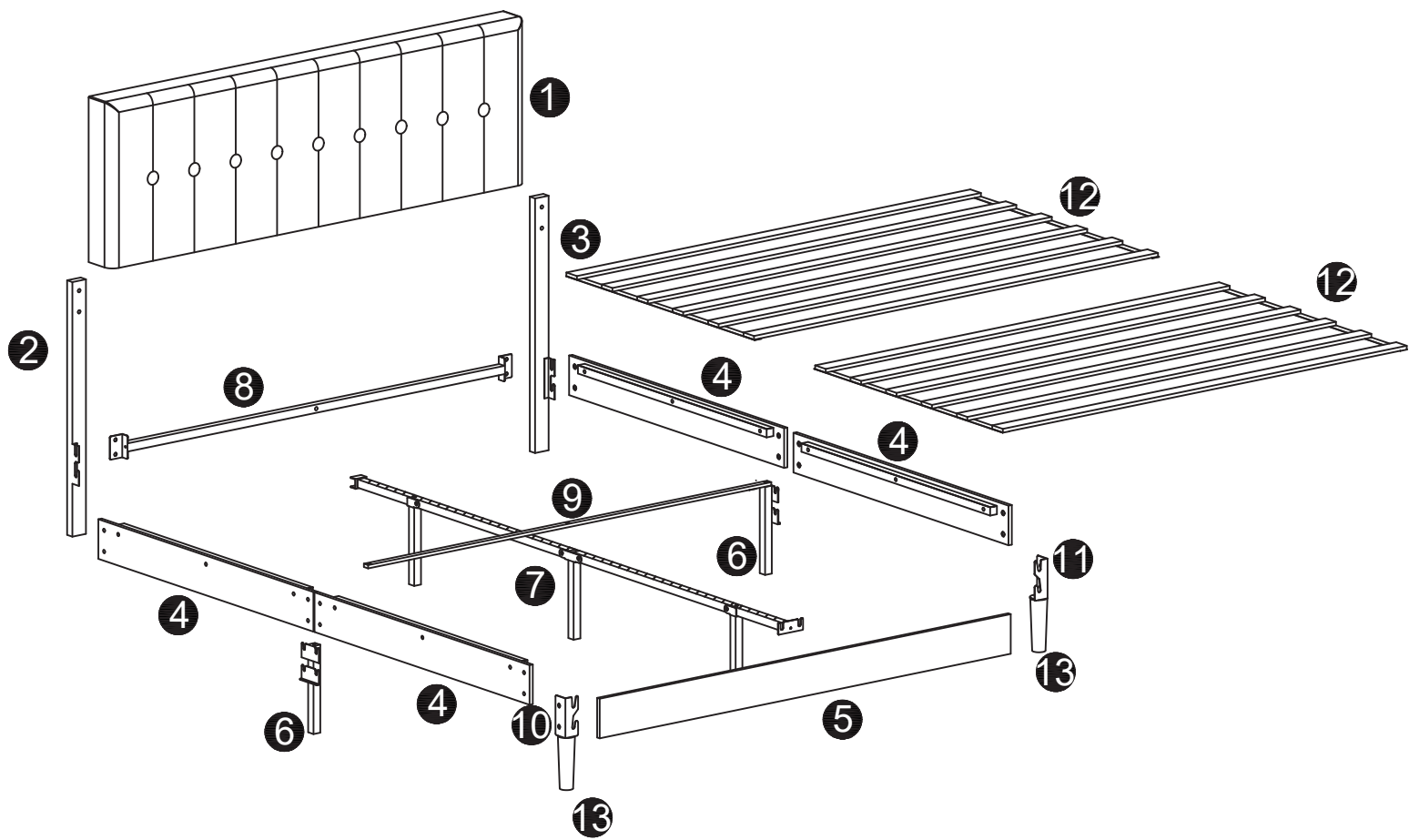
M8*15mm

D x1

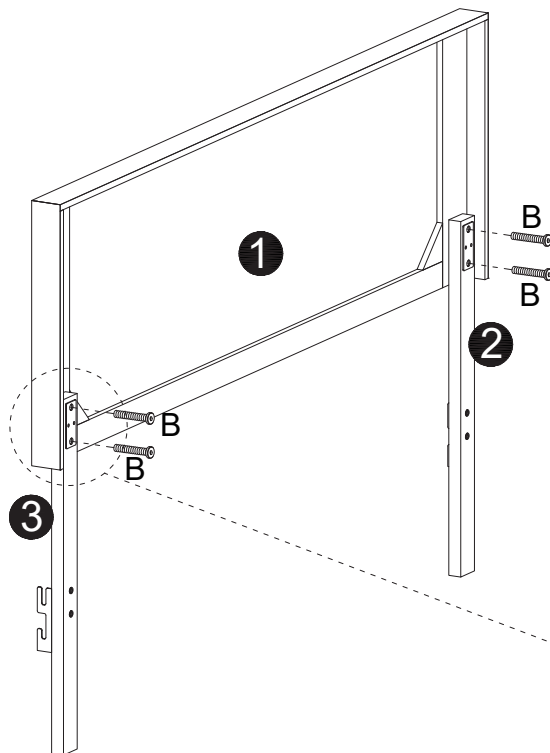




F x3

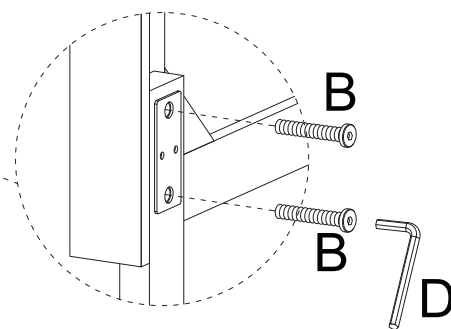




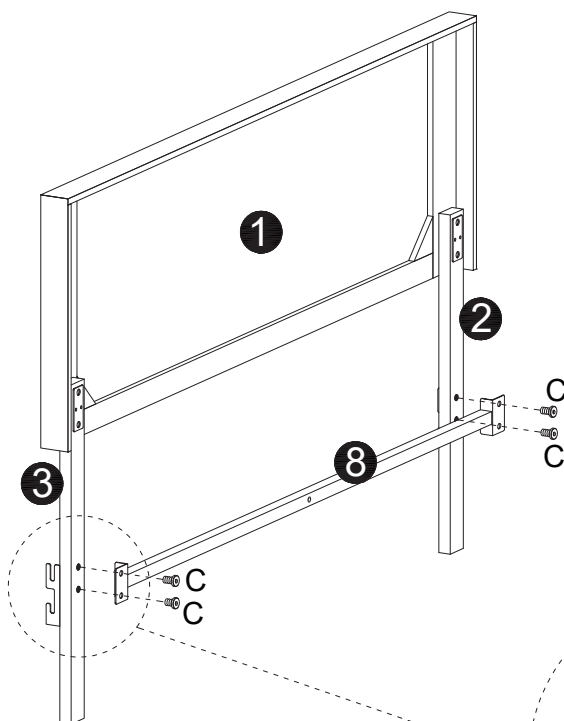
Step 1





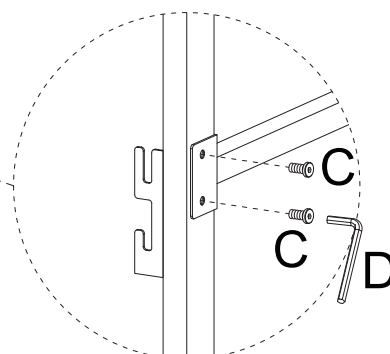
	
M8*40mm	
B*4	D*1



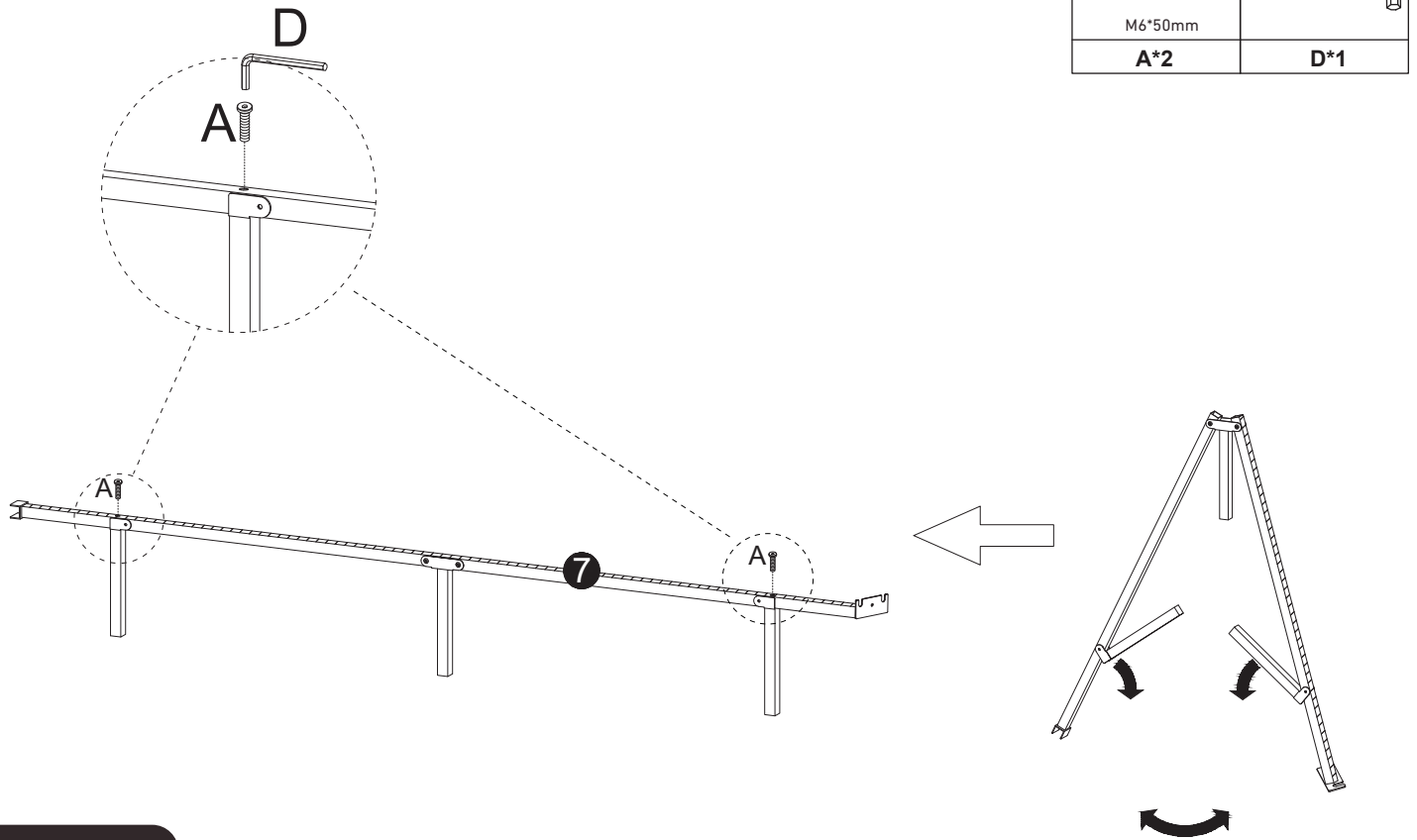
Step 2



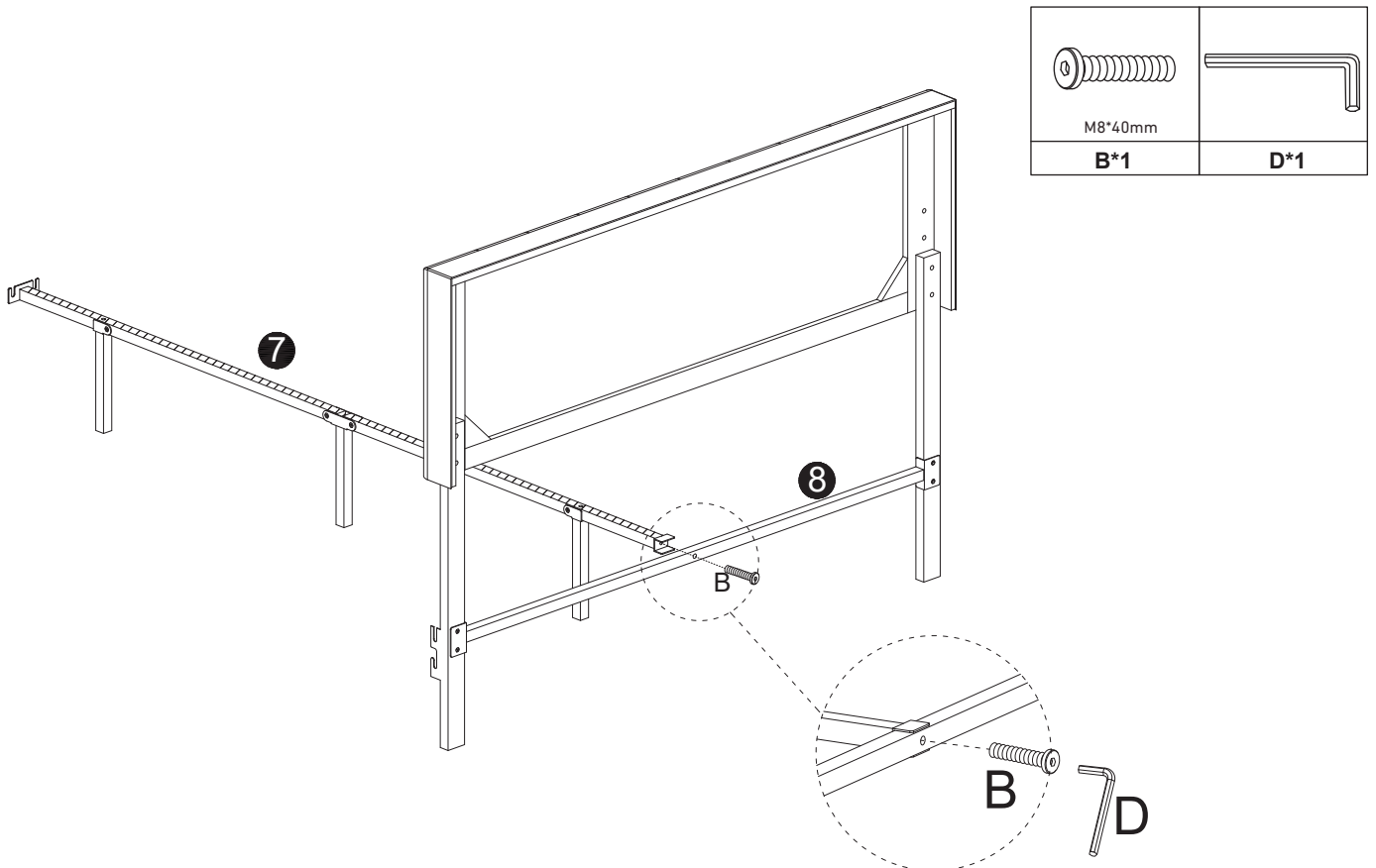
	
M8*15mm	
C*4	D*1



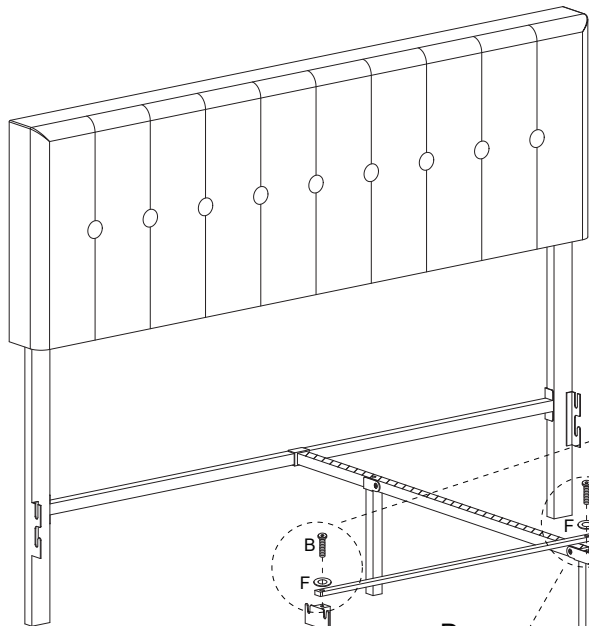
Step 3

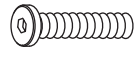
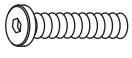




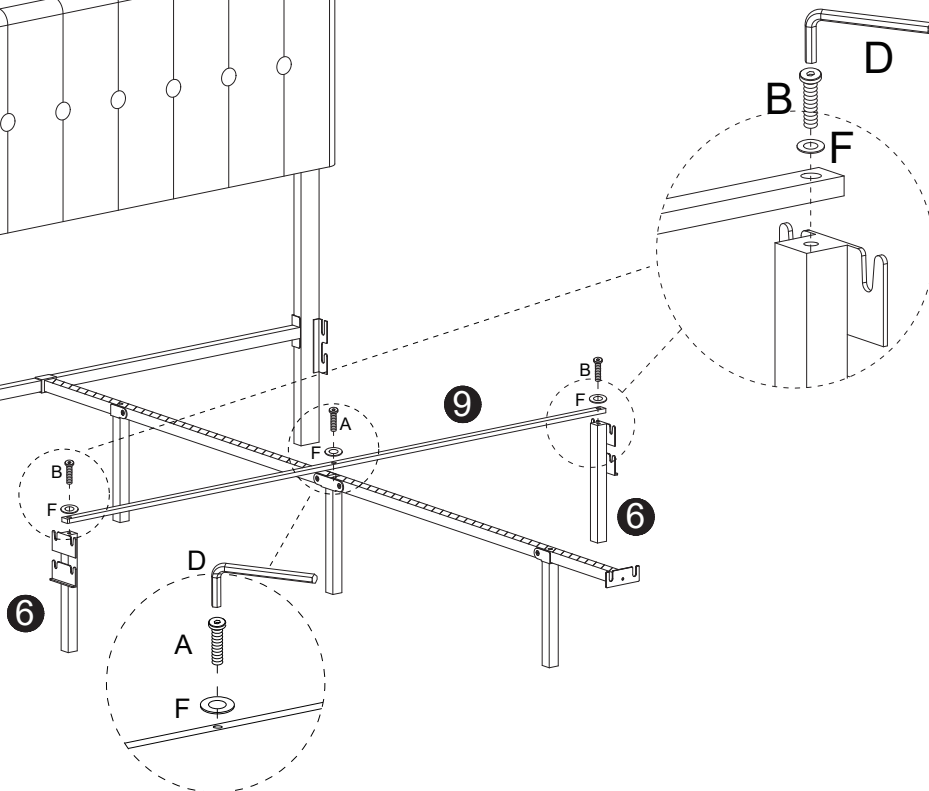
Step 4



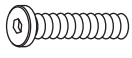

Step 5

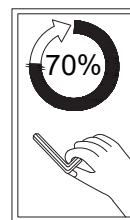
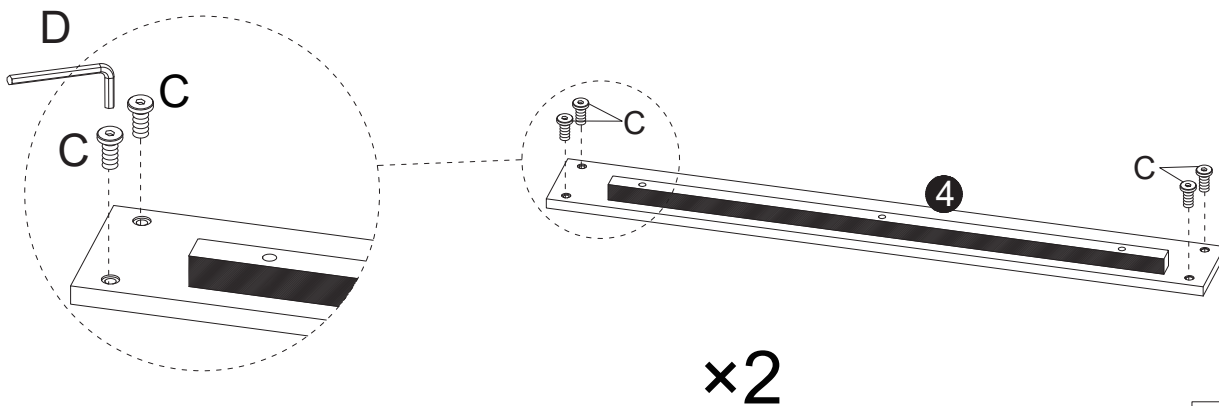


			
M6*50mm	M8*40mm		
A*1	B*2	D*1	F*3



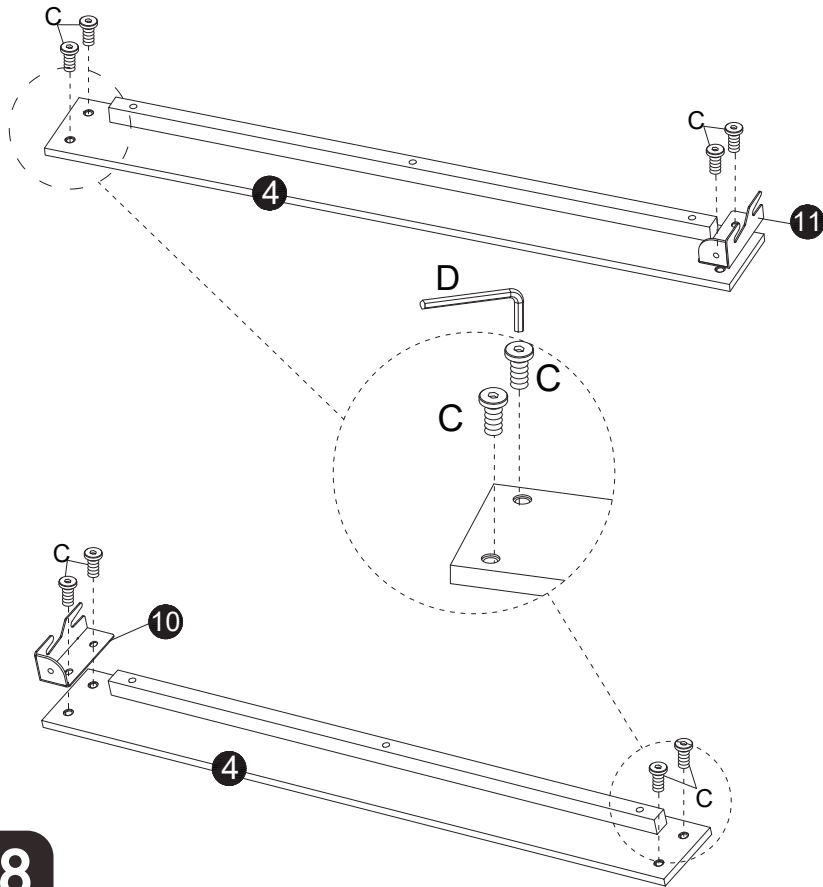
Step 6

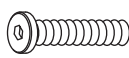

	
M8*15mm	
C*8	D*1

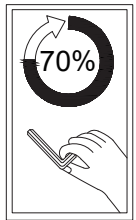


Tighten the screws by 70%.

Step 7

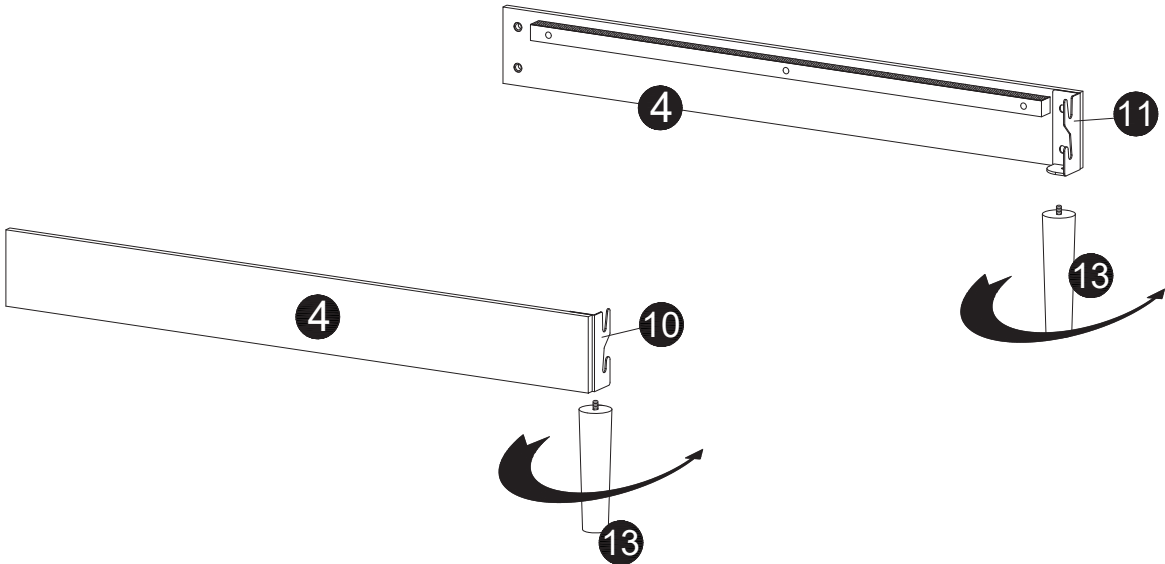


 M8*15mm C*8	 D*1
--	---

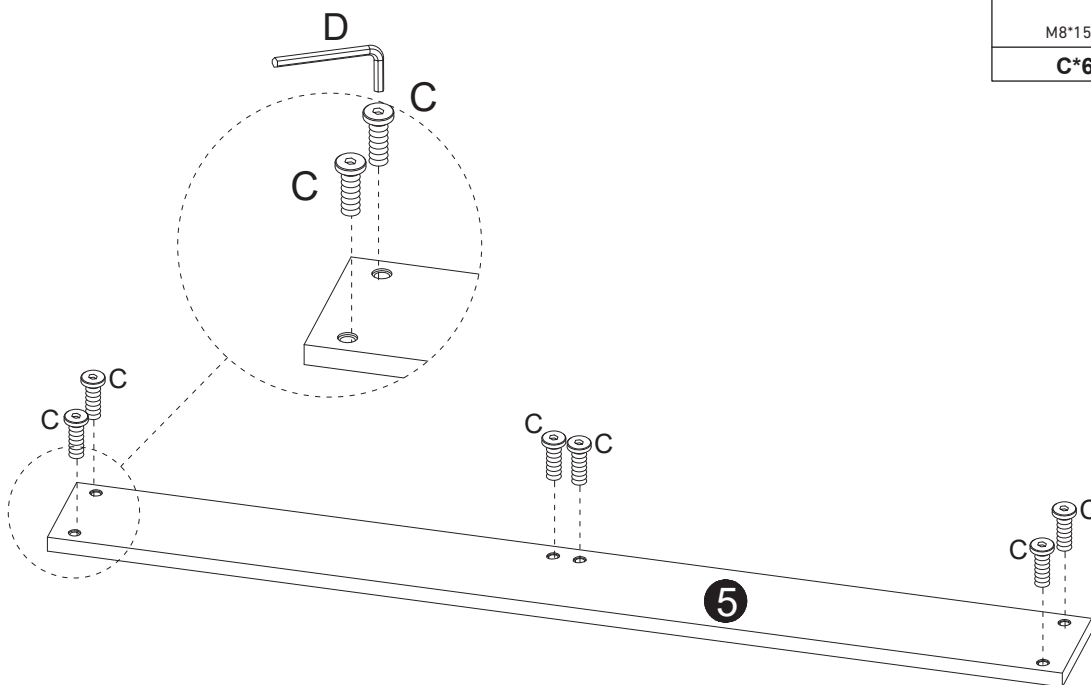




Tighten the screws by 70%.

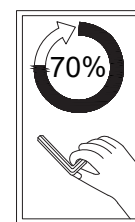
Step 8



Step 9

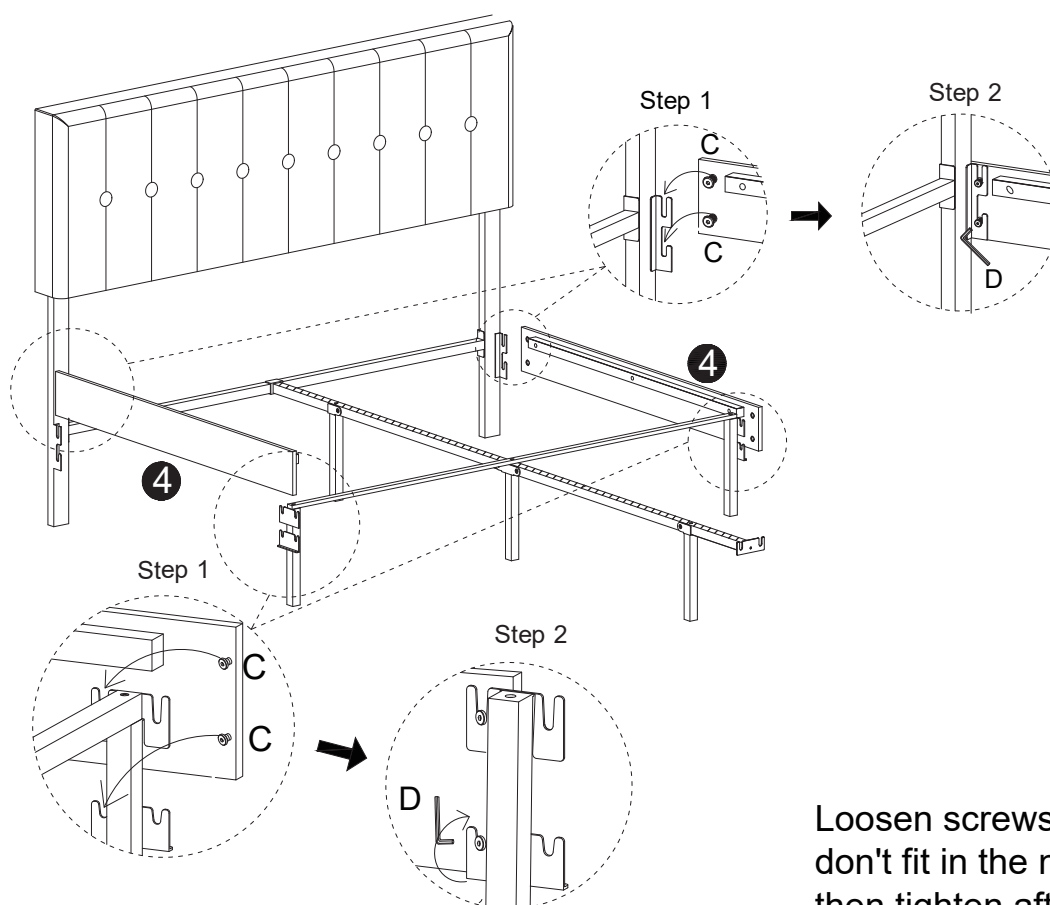


 M8*15mm C*6	 D*1
--	---



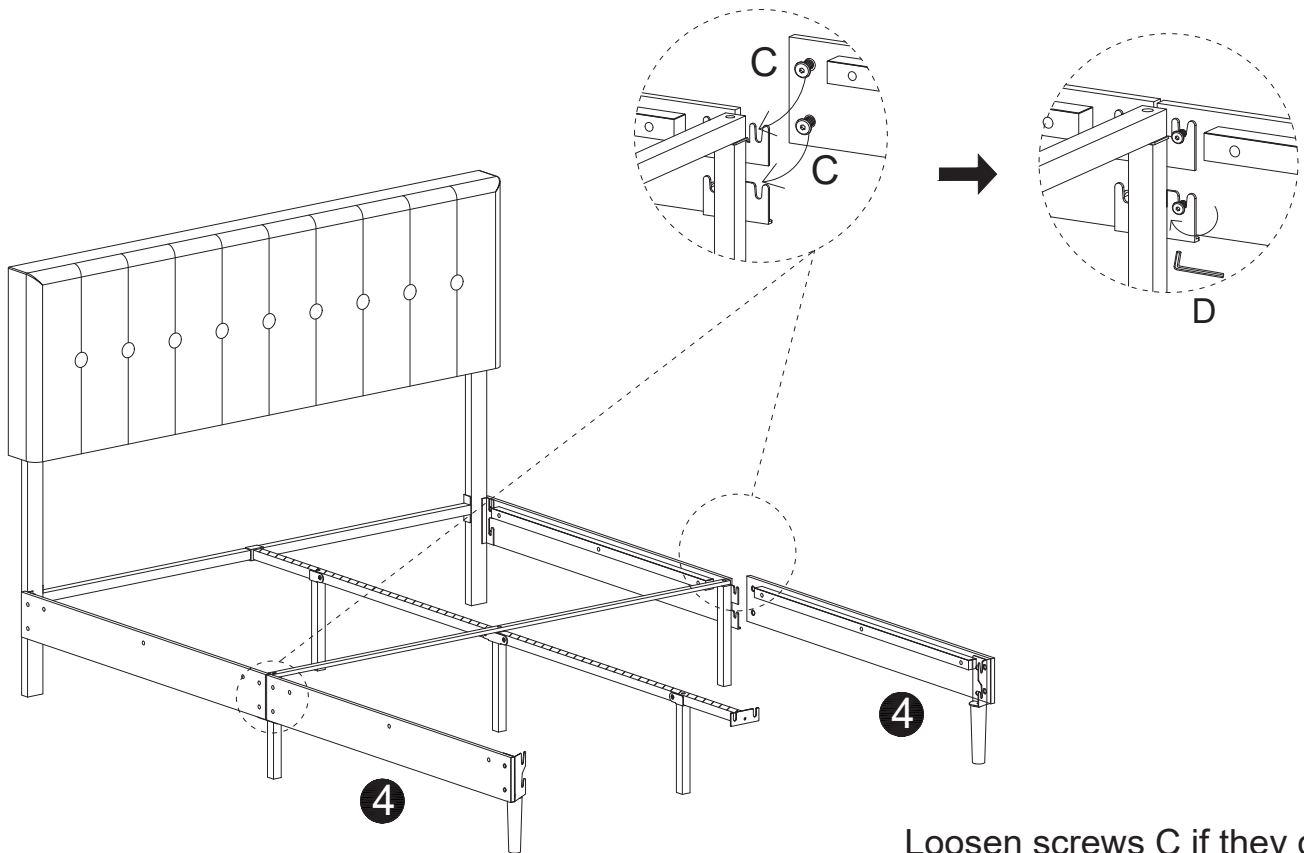
Step 10

Tighten the screws by 70%.



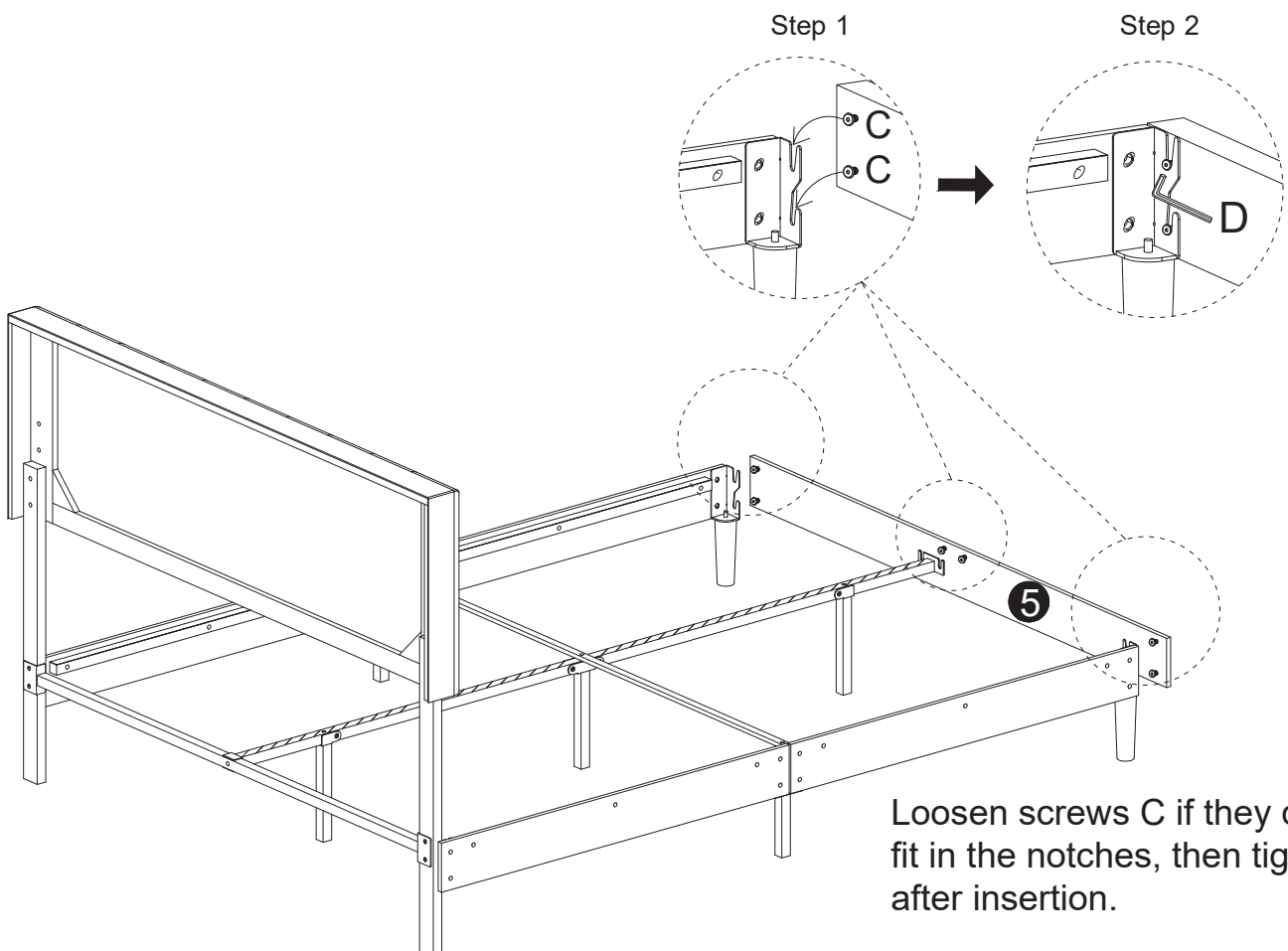
Loosen screws C if they don't fit in the notches, then tighten after insertion.

Step 11



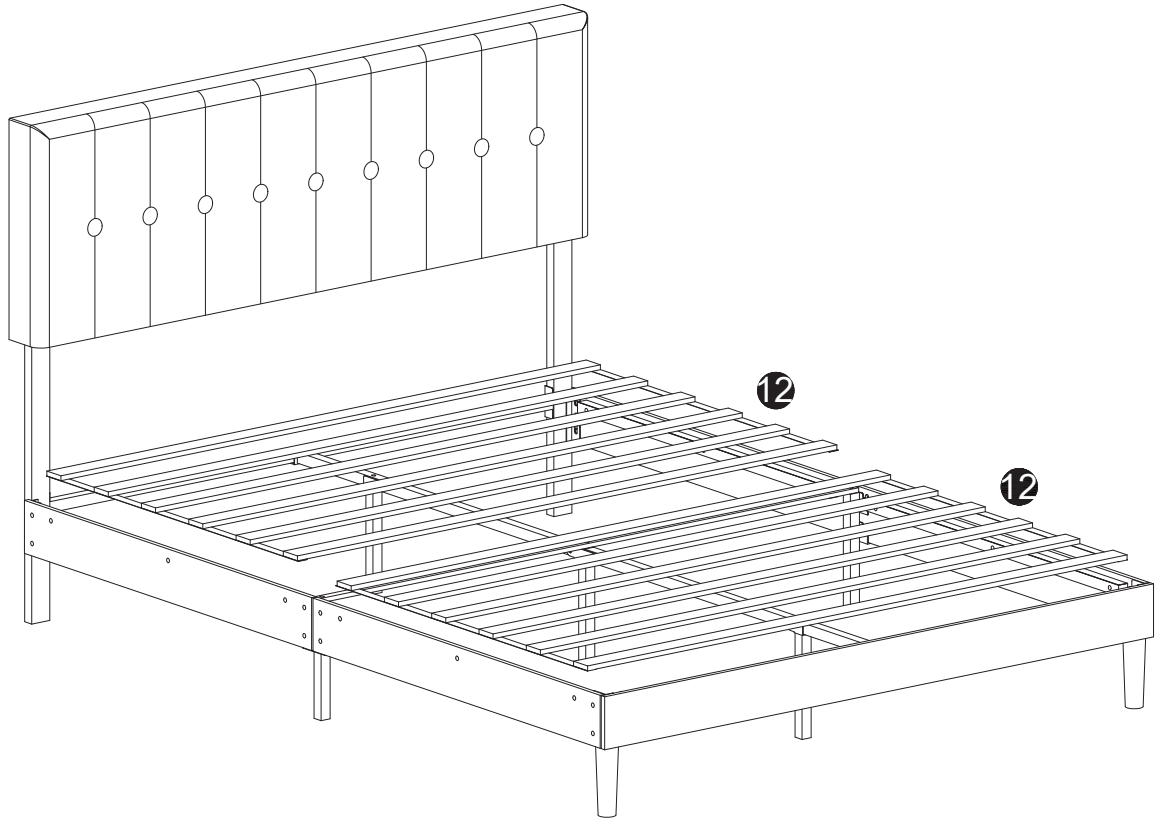
Loosen screws C if they don't fit in the notches, then tighten after insertion.

Step 12

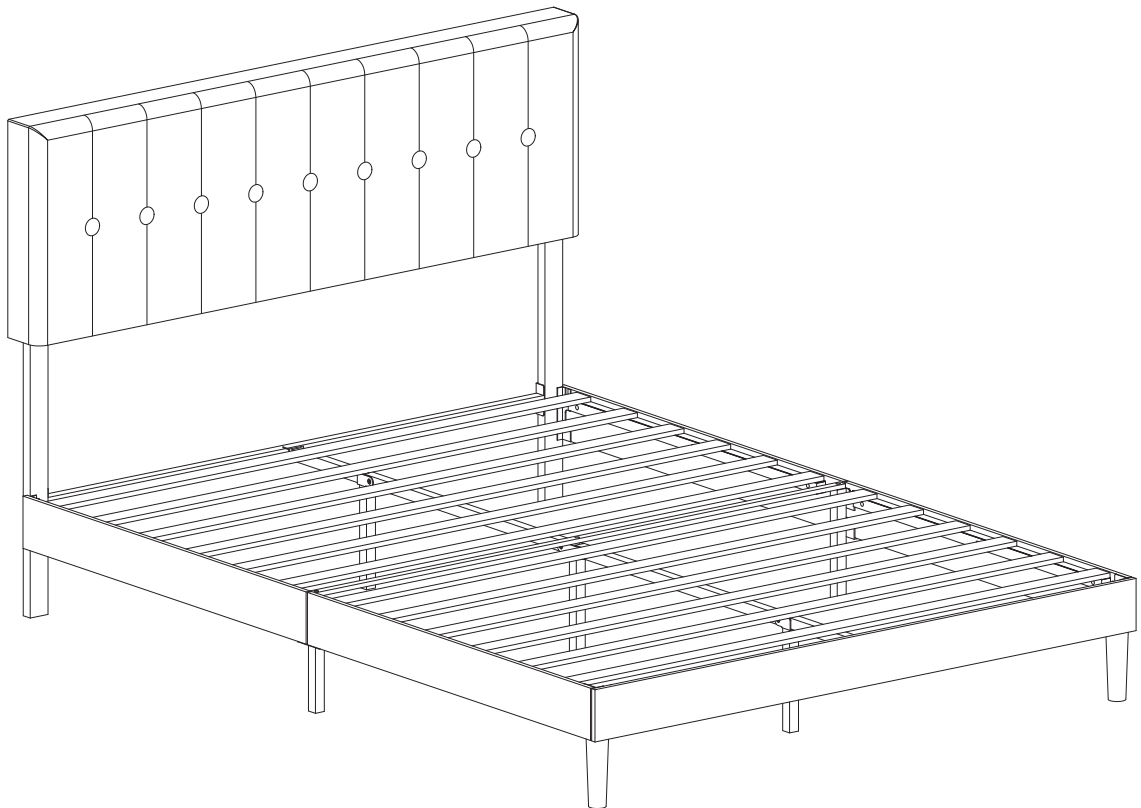


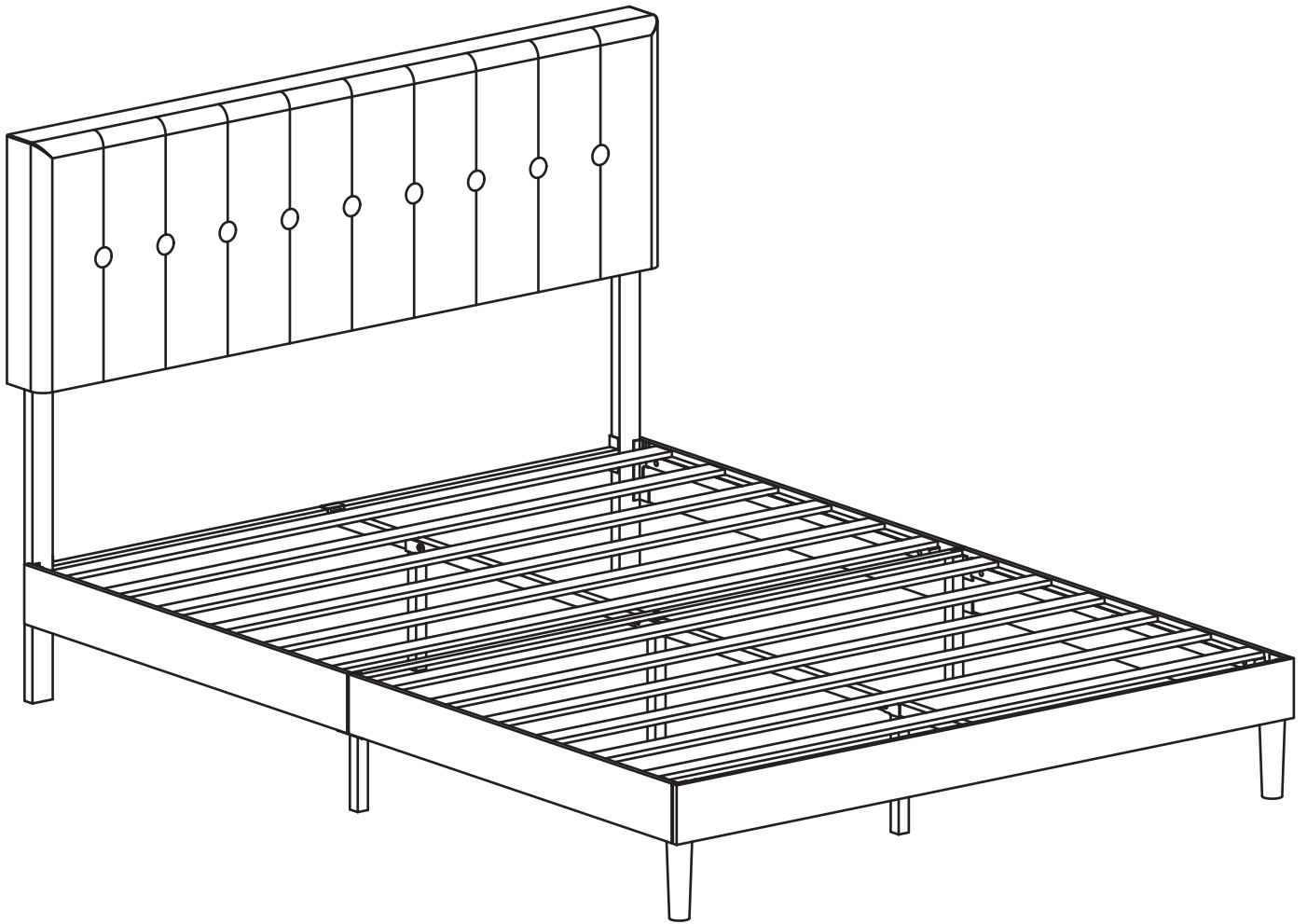
Loosen screws C if they don't fit in the notches, then tighten after insertion.

Step 13



Step 14





Technical Support

(909)637-7665 | (909)637-7593

Other Info

HJ-Customer-Service@outlook.com

Thank you for choosing this product. We strive to provide you with the best quality products and service in the industry. Should you have any issues, please don't hesitate to contact us.