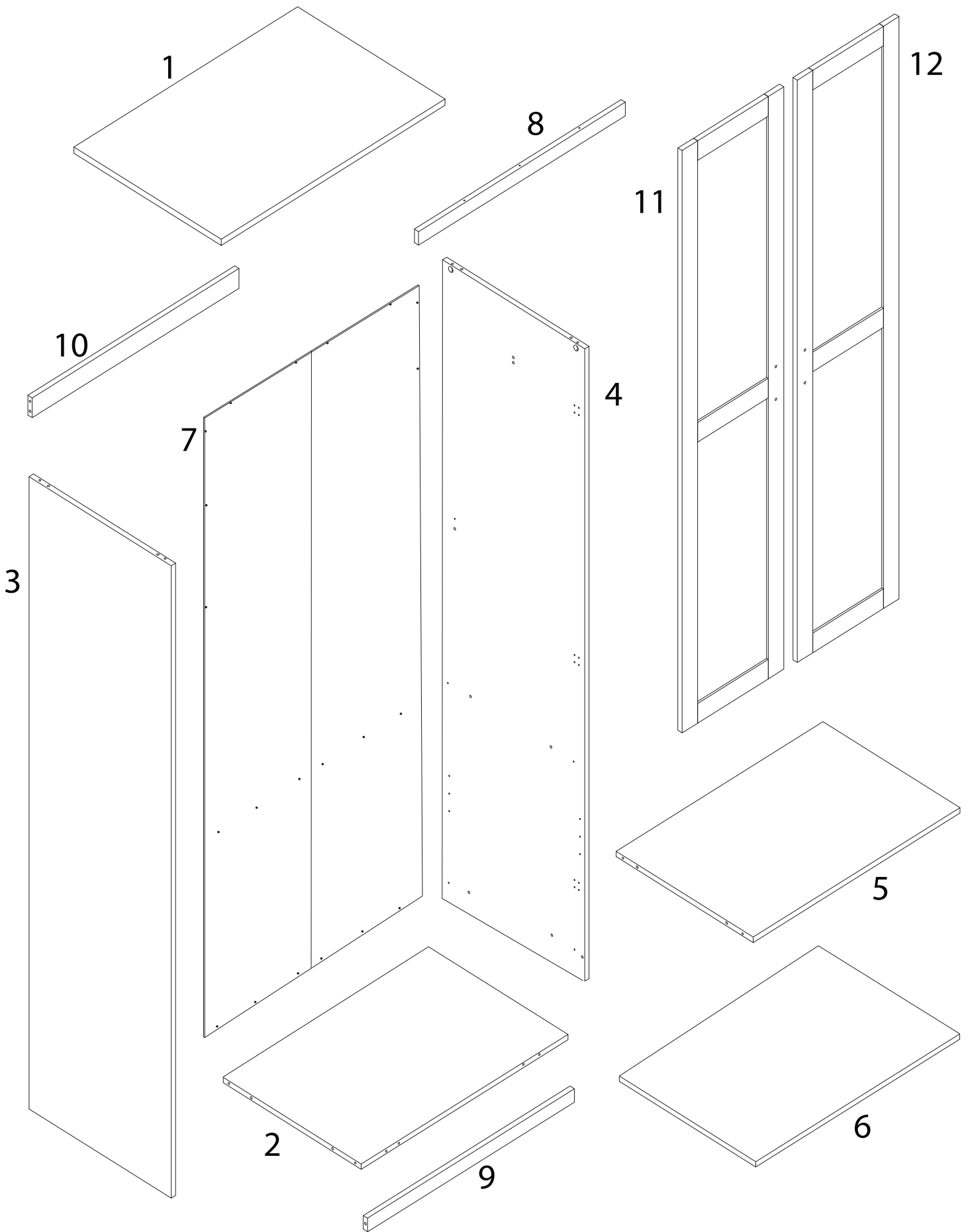
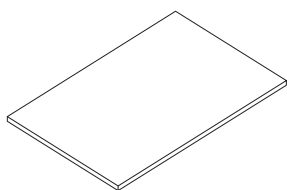


Diagram illustrating assembly instructions and safety warnings:

- Top Warning:** A triangle with an exclamation mark. Below it, a box contains a screwdriver icon and a crossed-out power drill icon, indicating that a screwdriver should be used instead of a power drill.
- Time:** A clock icon with the text "90'" below it, indicating a 90-minute assembly time.
- Bottom Warning:** A triangle with an exclamation mark. Below it, a box contains an icon of a block on a textured surface and a crossed-out icon of a block being lifted, indicating a warning about lifting or placement.
- Personnel:** An icon of a person with the number "2" below it, indicating that two people are required for assembly.

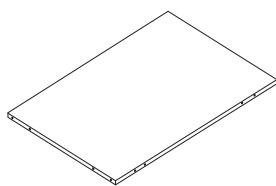


1



x 1

2



x 1

3



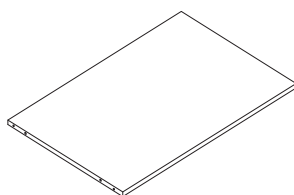
x 1

4



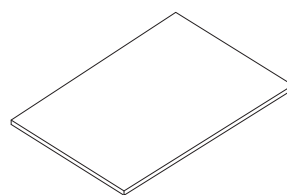
x 1

5



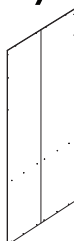
x 1

6



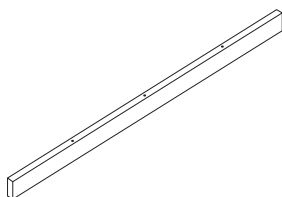
x 1

7



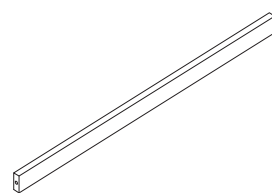
x 1

8



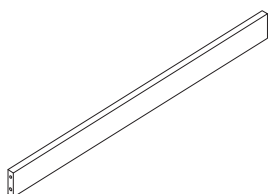
x 1

9



x 1

10



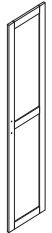
x 1

11



x 1

12



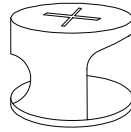
x 1

A



x 18

B



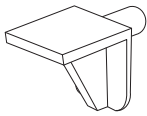
x 18

C



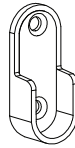
x 18

D



x 4

E



x 2

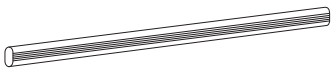
F



M4  
x  
14

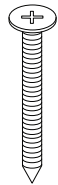
x 40

G



x 1

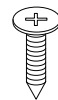
H



M4  
x  
45

x 3

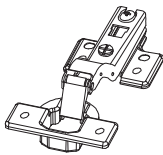
I



M2.5  
x  
14

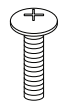
x 32

J



x 6

K



M4  
x  
20

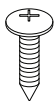
x 4

M



x 2

N1



x 2

N2



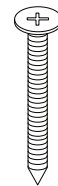
x 2

N3



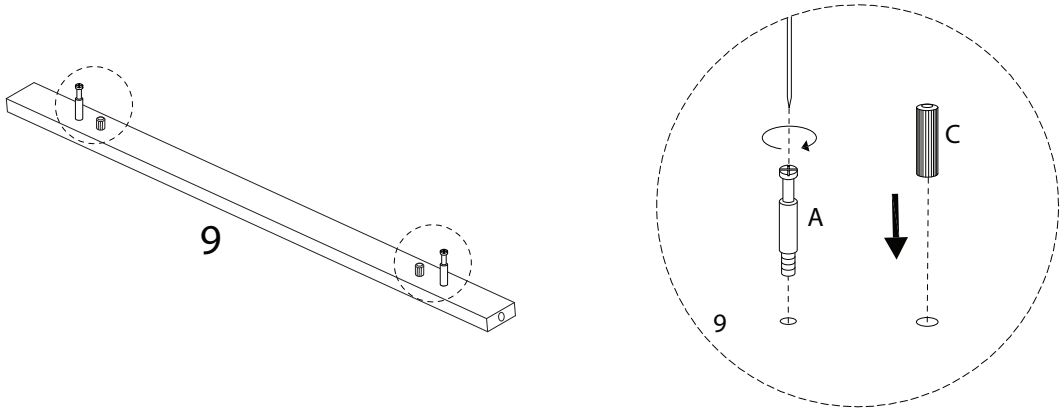
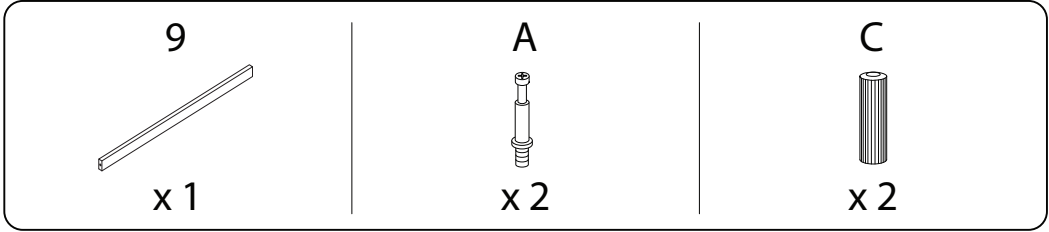
x 2

N4

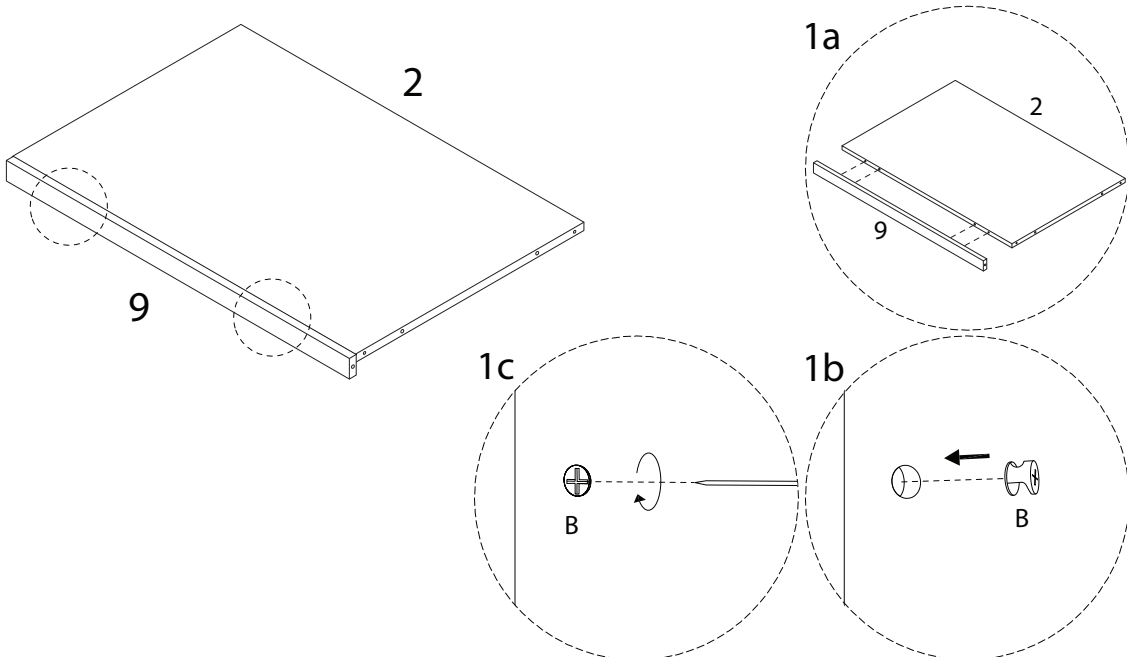
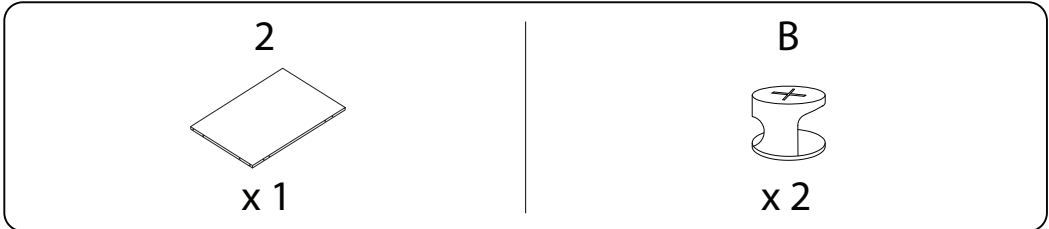


x 2

1



2



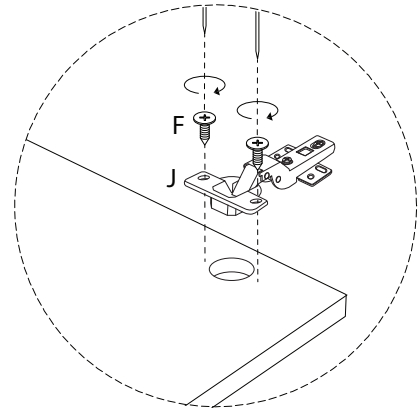
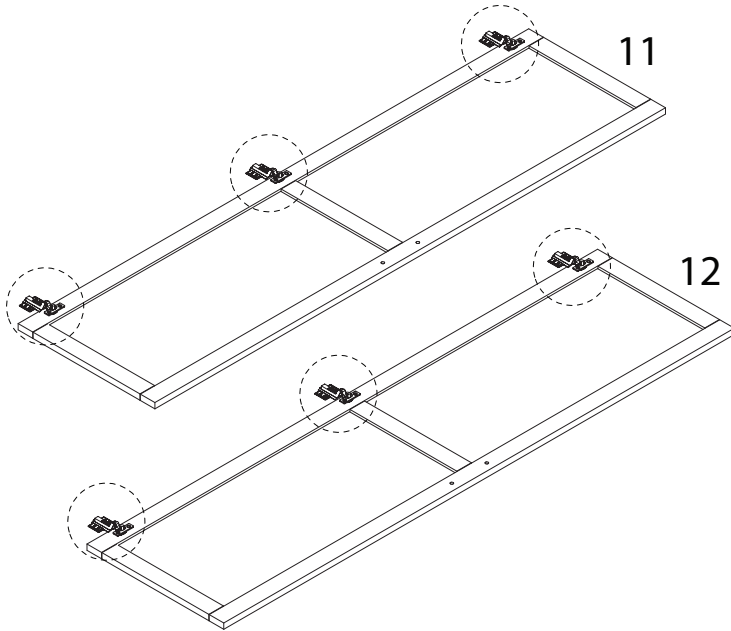
3

11  
x 1

12  
x 1

F  
M4  
x  
14  
x 12

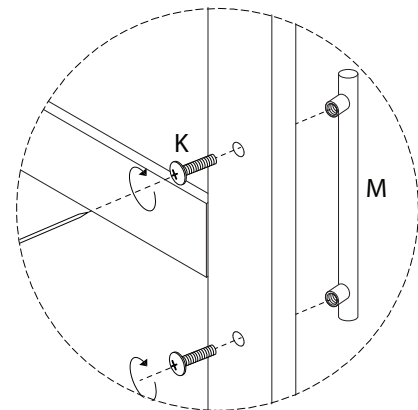
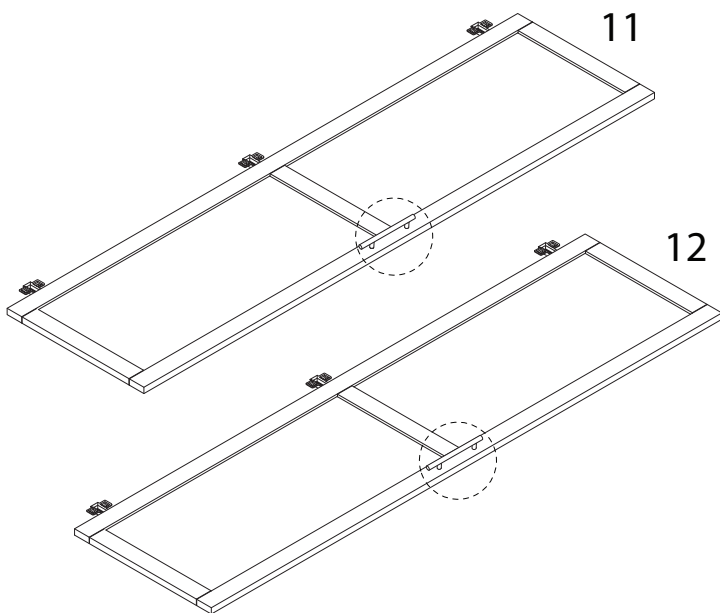
J  
x 6



4

K  
M4  
x  
20  
x 4

M  
x 2



5

3

x 1

4

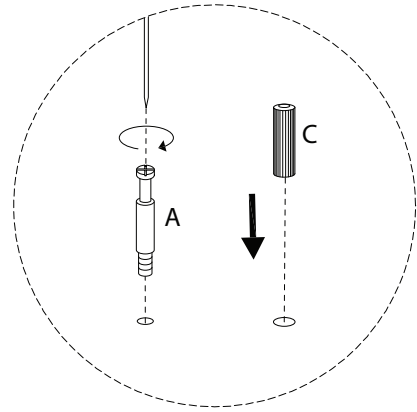
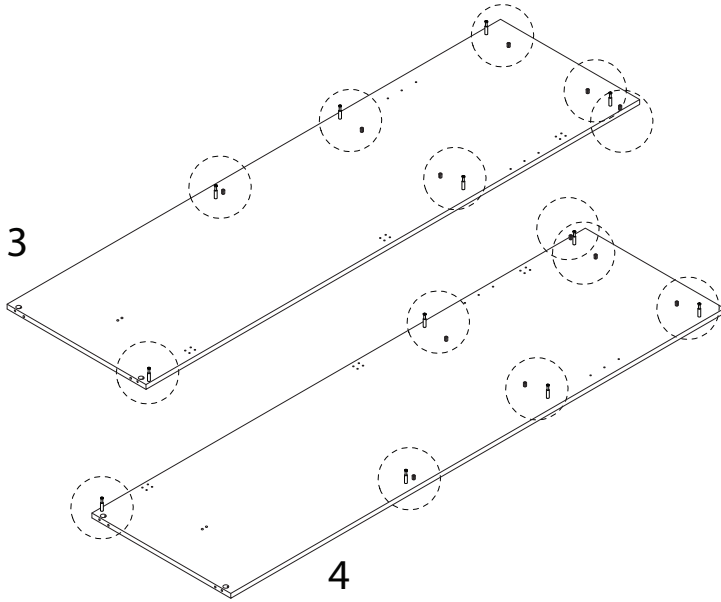
x 1

A

x 12

C

x 12



6

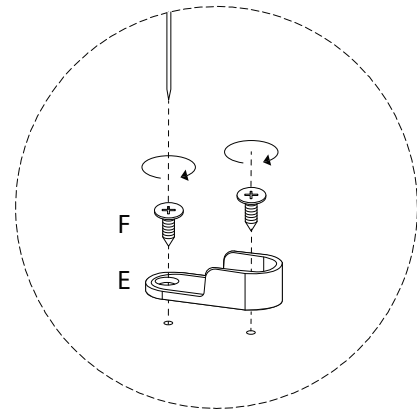
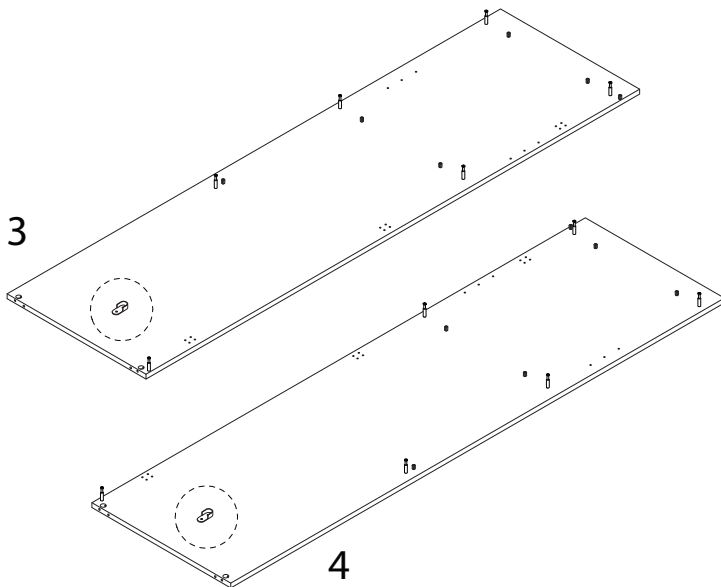
E

x 2

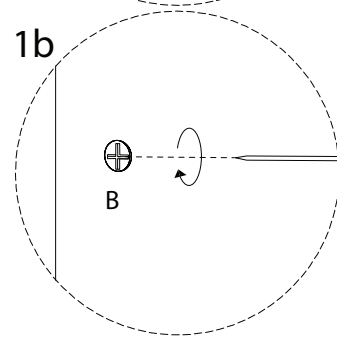
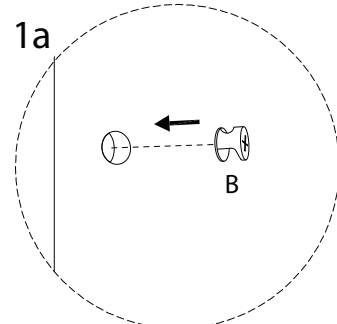
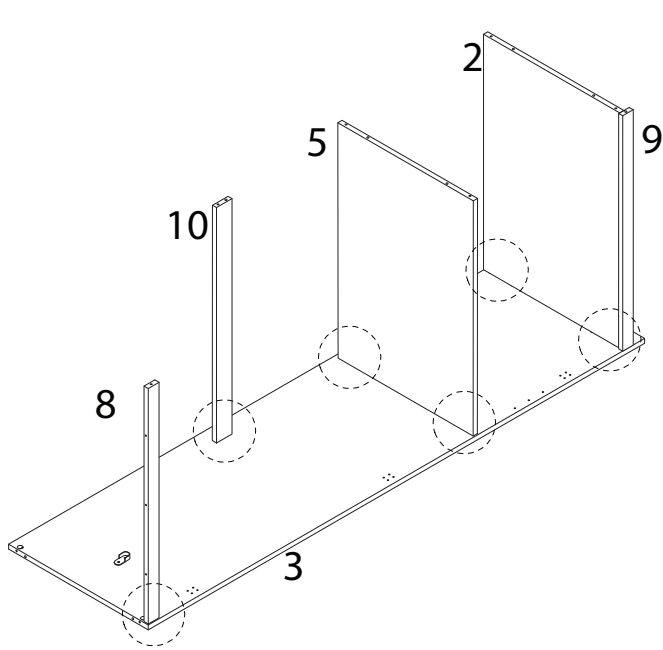
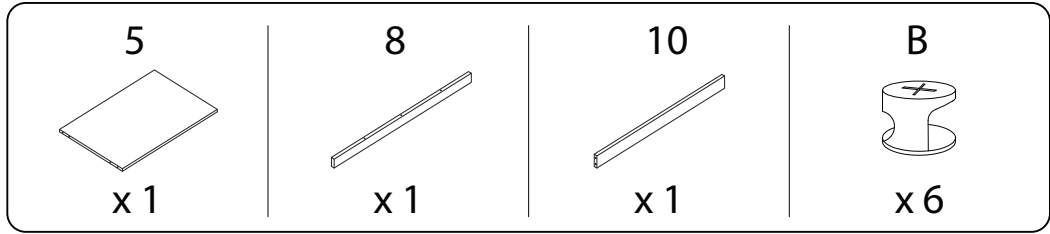
F

M4  
x  
14

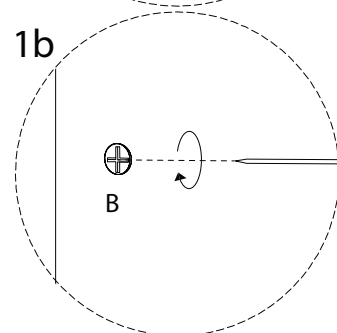
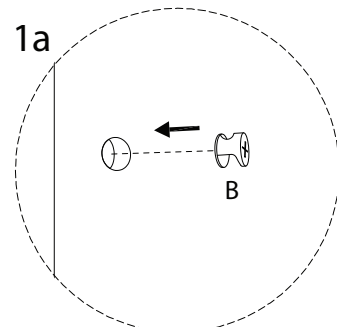
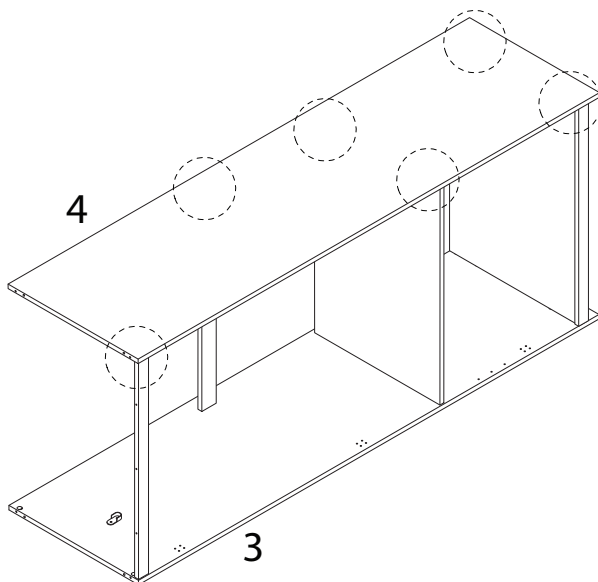
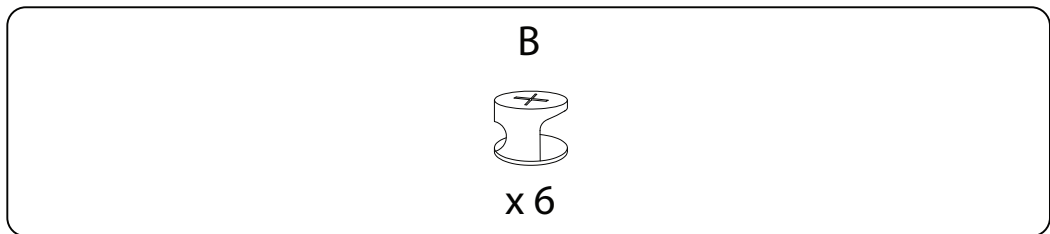
x 4



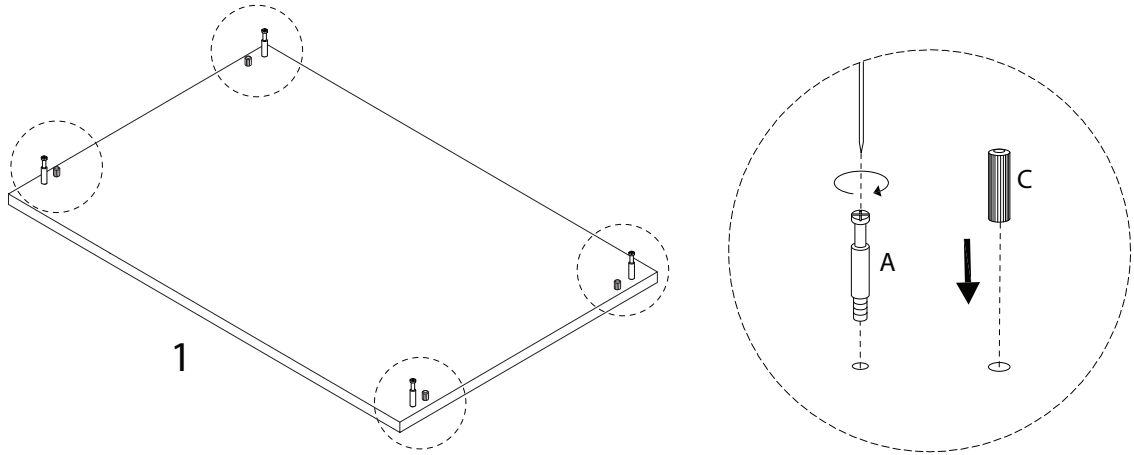
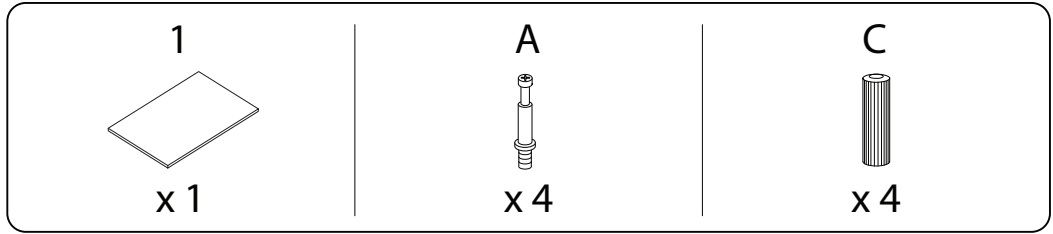
7



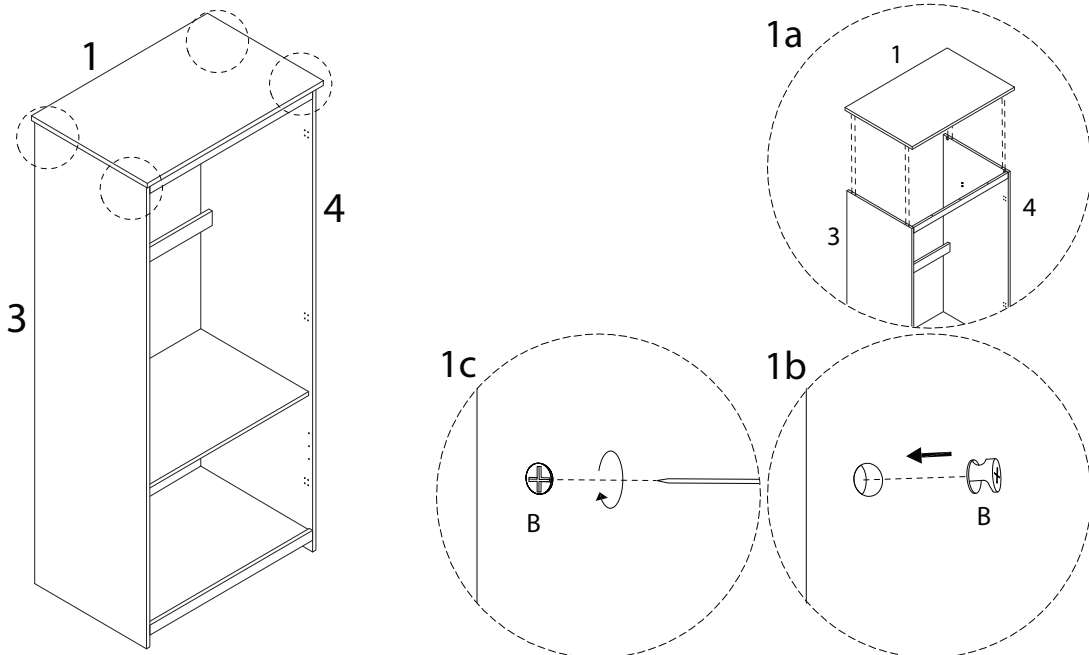
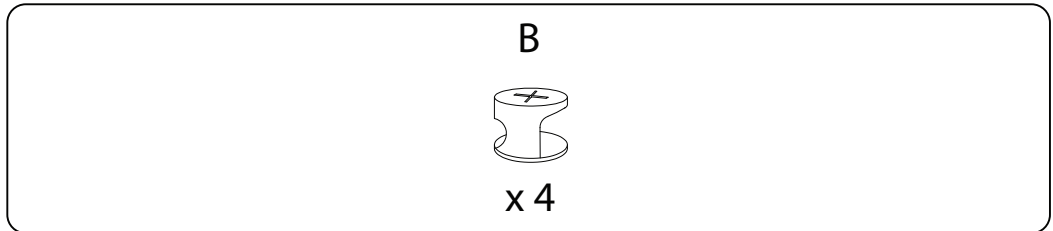
8



9

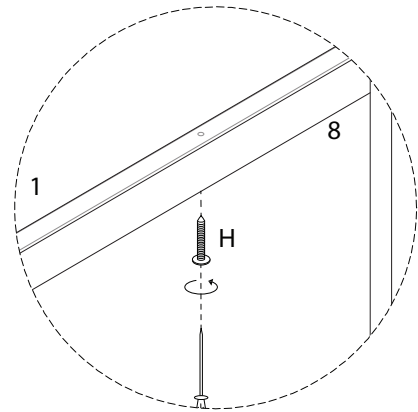
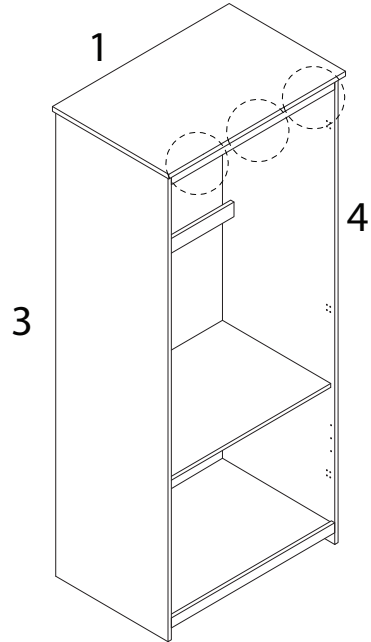


10



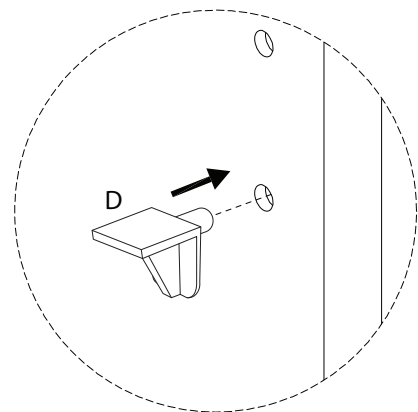
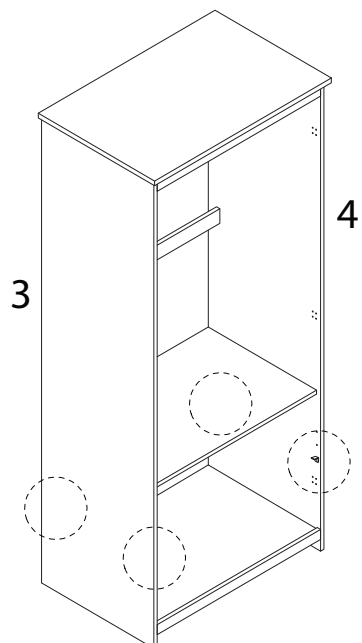
11

H  
M4  
x  
45  
x 3



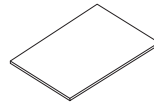
12

D  
x 4

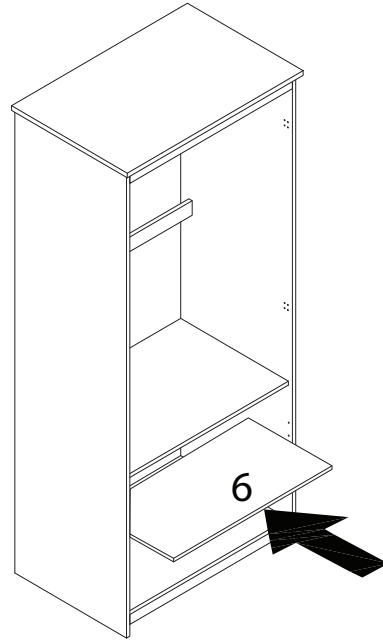


13

6

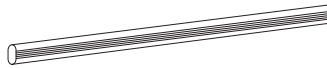


x 1

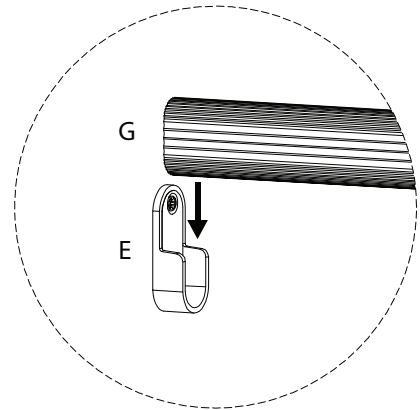
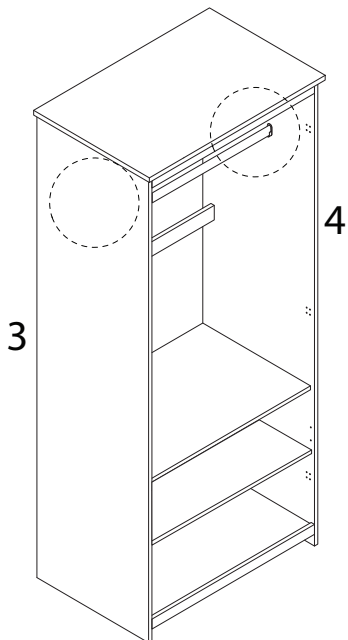


14

G



x 1

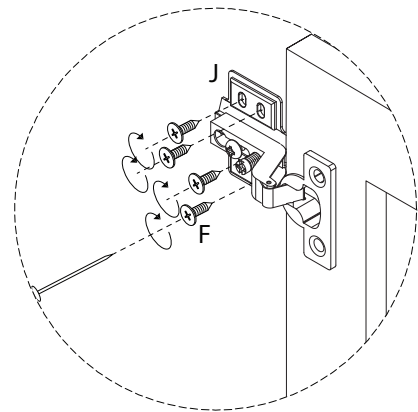
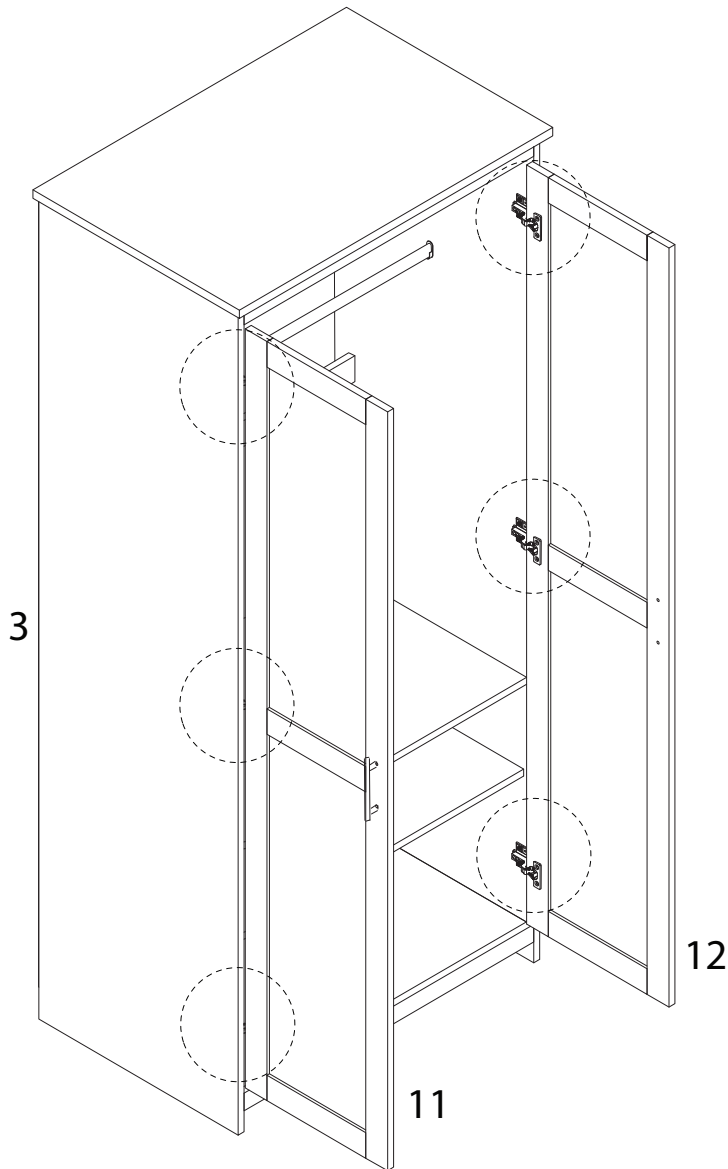


15

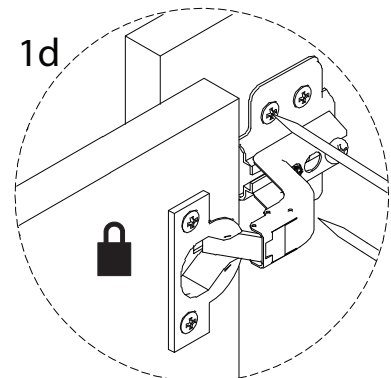
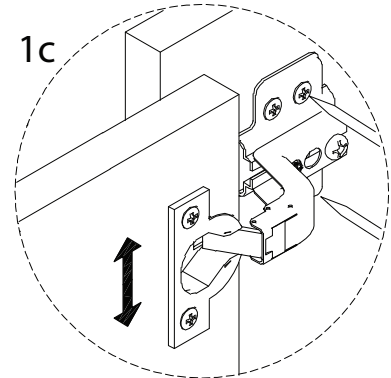
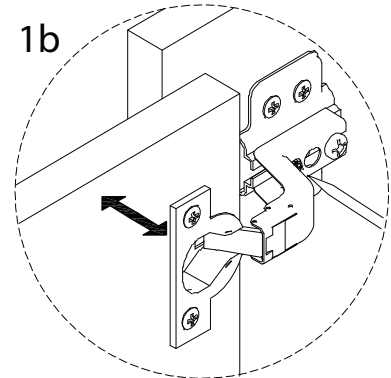
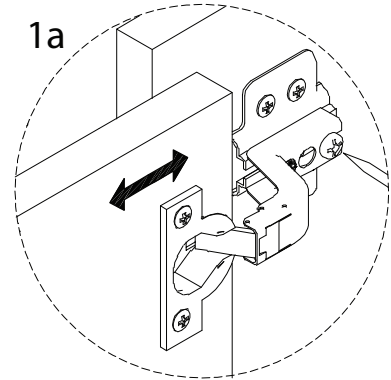
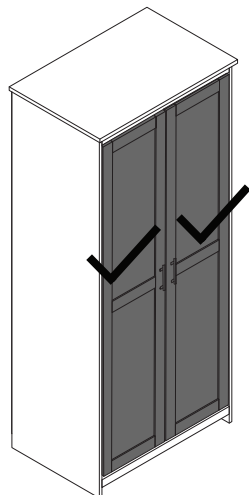
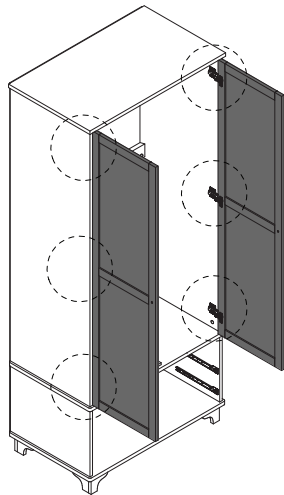
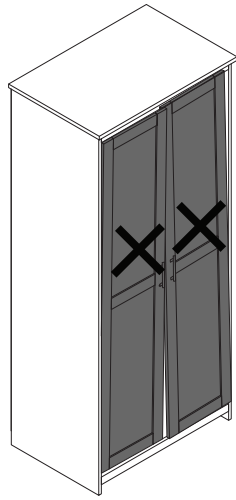
F



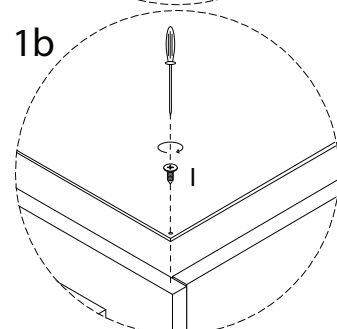
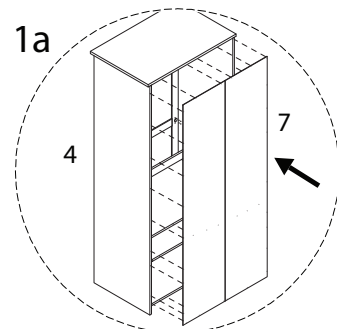
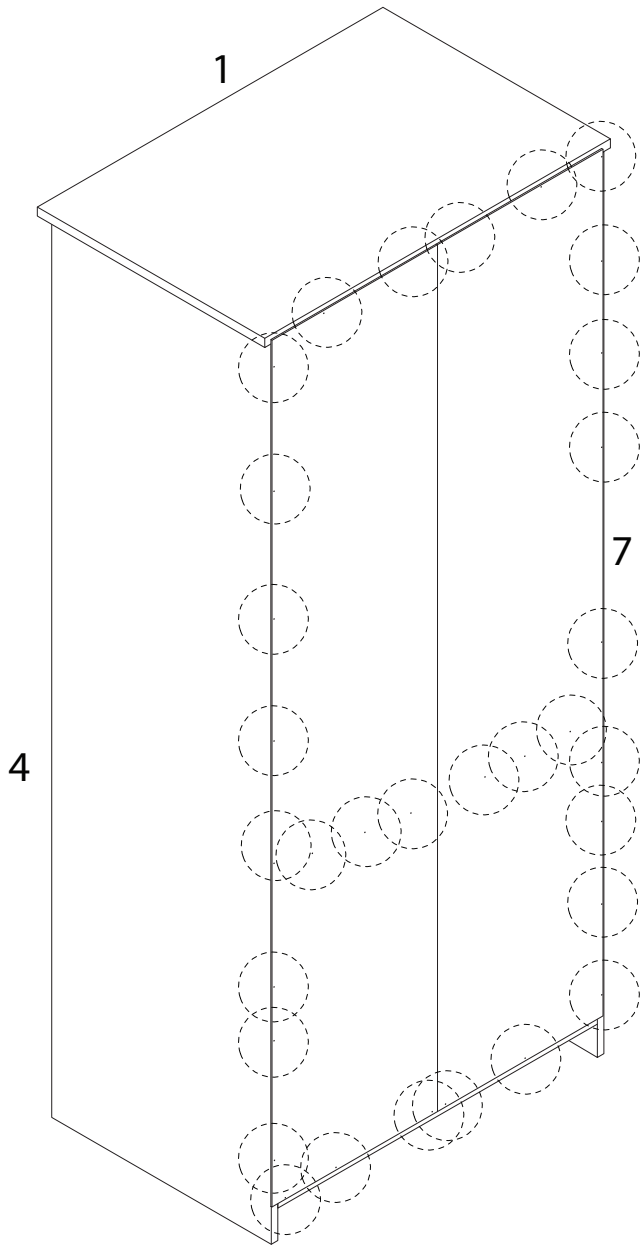
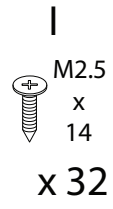
x 24



!



16



17

N1

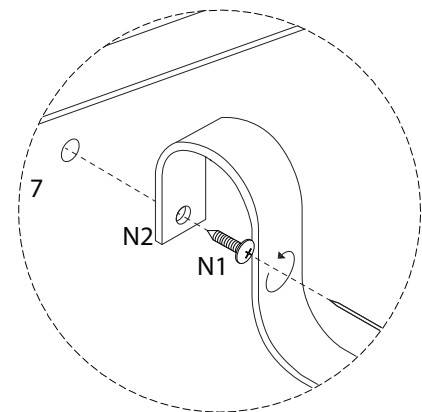
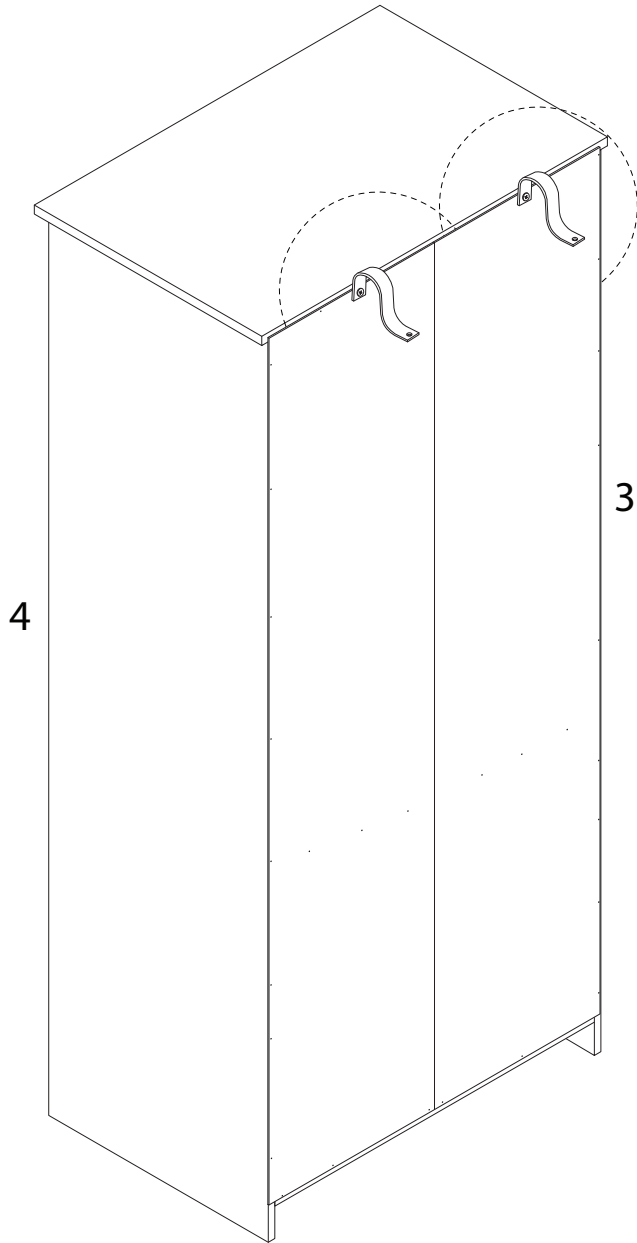


x 2

N2



x 2



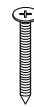
18

N3



x 2

N4



x 2

