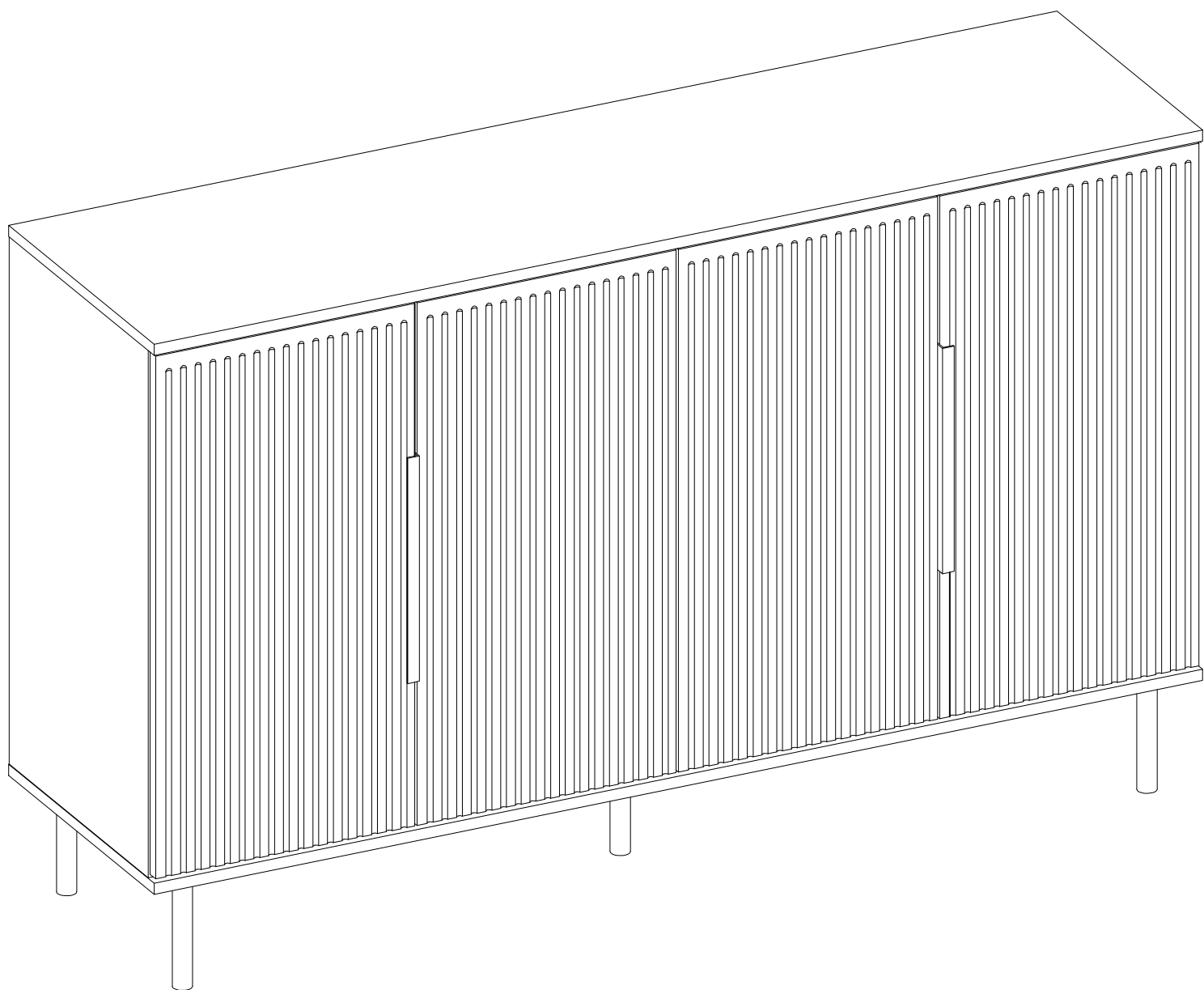
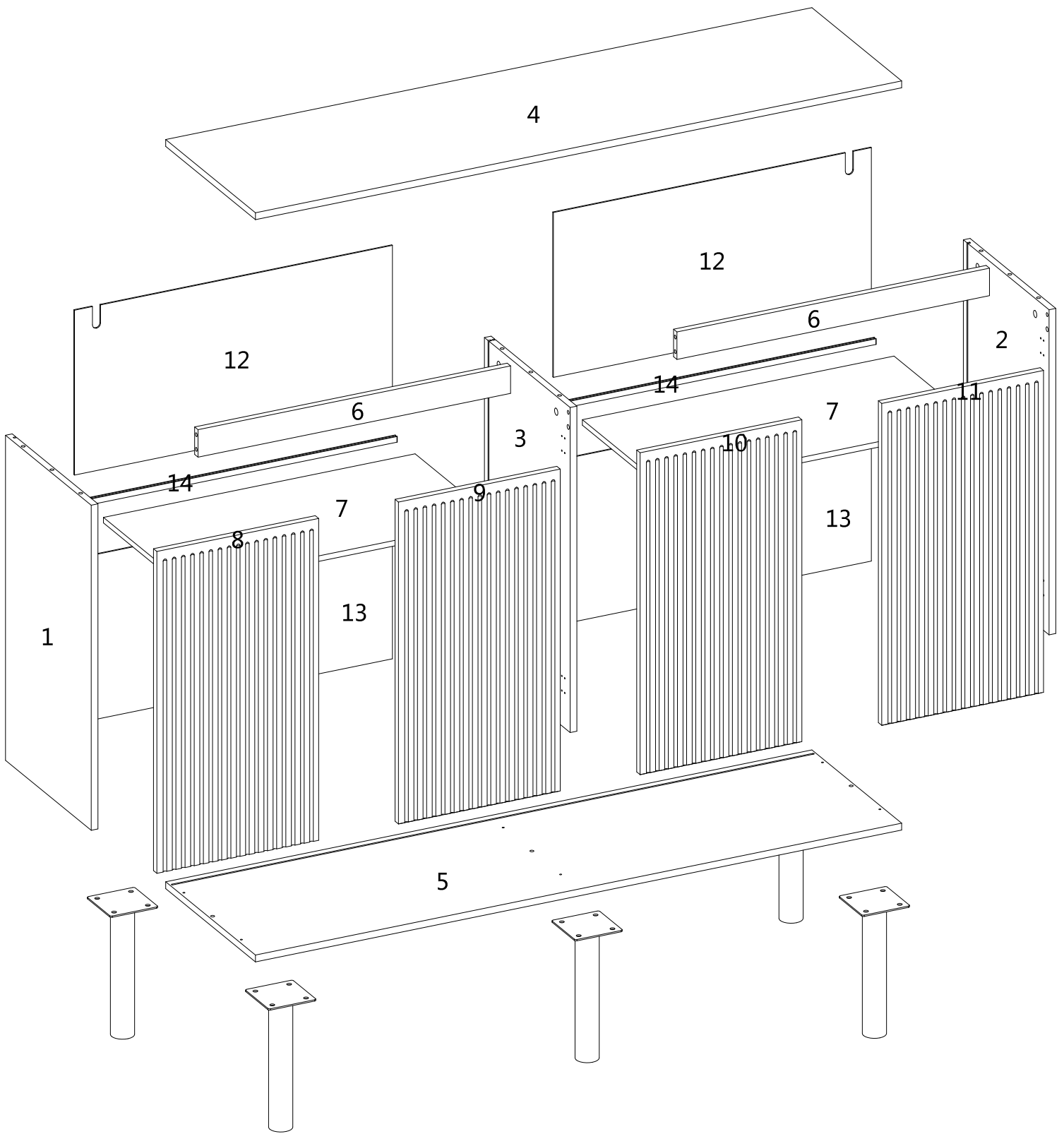
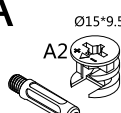
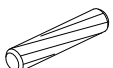
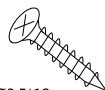
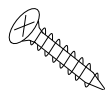
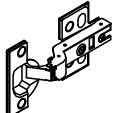
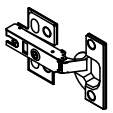
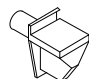
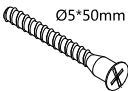
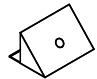
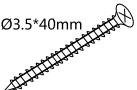

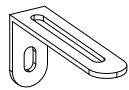
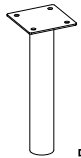





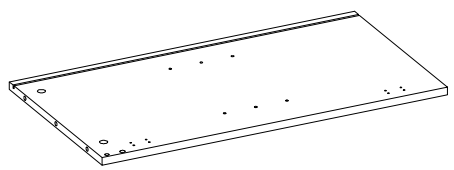
Installation & Assembly





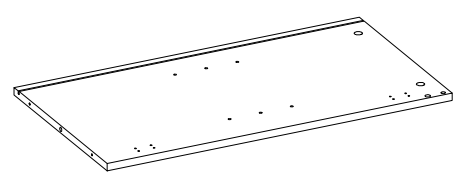
<p>A</p>  <p>Ø15*9.5mm A2 Ø7*40mm A1</p> <p>10PCS</p>	<p>B</p>  <p>Ø8*30mm</p> <p>8PCS</p>	<p>C</p>  <p>Ø3.5*12mm</p> <p>16PCS</p>	<p>D</p>  <p>Ø3.5*14mm</p> <p>74PCS</p>	<p>E</p>  <p>4PCS</p>	<p>F</p>  <p>4PCS</p>	<p>G</p>  <p>8PCS</p>	<p>H</p>  <p>Ø5*50mm</p> <p>6PCS</p>
<p>J</p>  <p>16PCS</p>	<p>K</p>  <p>Ø3.5*40mm</p> <p>2PCS</p>	<p>L</p>  <p>2PCS</p>	<p>M</p>  <p>2PCS</p>	<p>N</p>  <p>5PCS</p>	<p>O</p>  <p>2PCS</p>	<p>P</p>  <p>16PCS</p>	<p>Q</p>  <p>Ø8*50mm</p> <p>1PC</p>

1



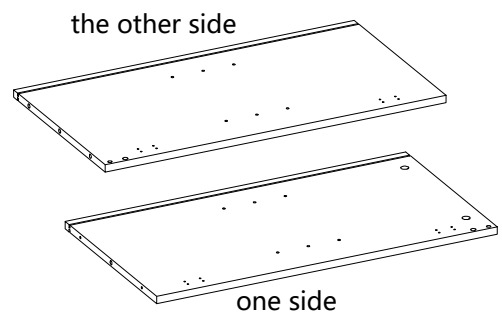
710*382mm

2



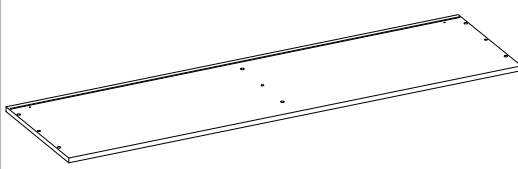
710*382mm

3



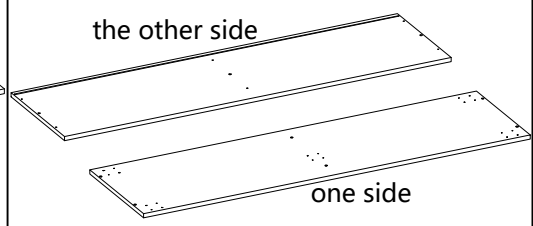
710*382mm

4



1440*400mm

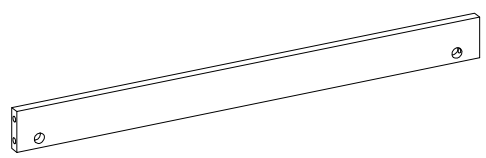
5



1440*400mm

6

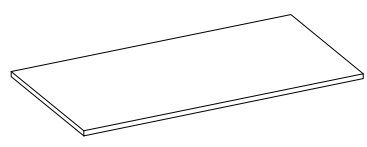
X2



696.5*60mm

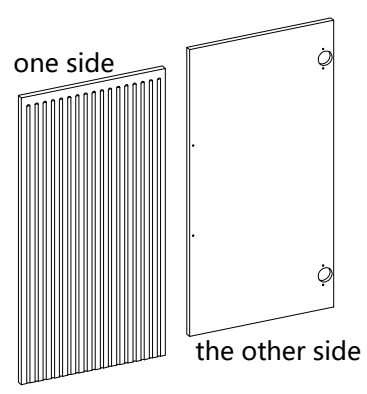
7

X2



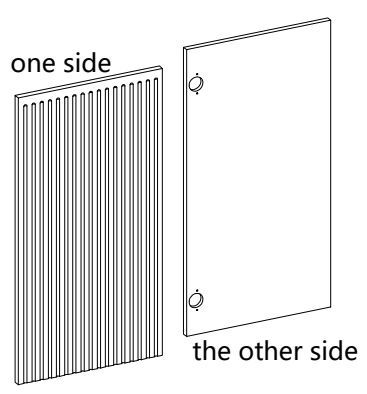
694*360mm

8



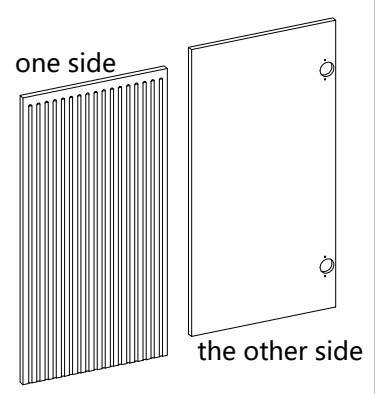
703*356mm

9



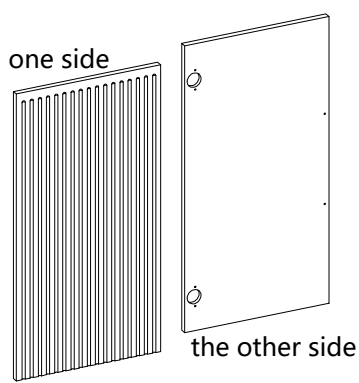
703*356mm

10



703*356mm

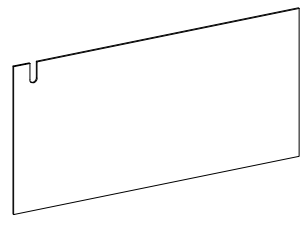
11



703*356mm

12

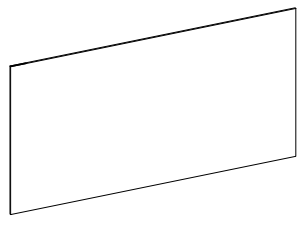
X2



706*359mm

13

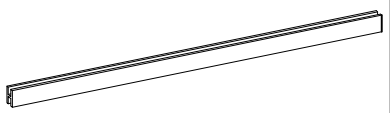
X2



706*359mm

14

X2



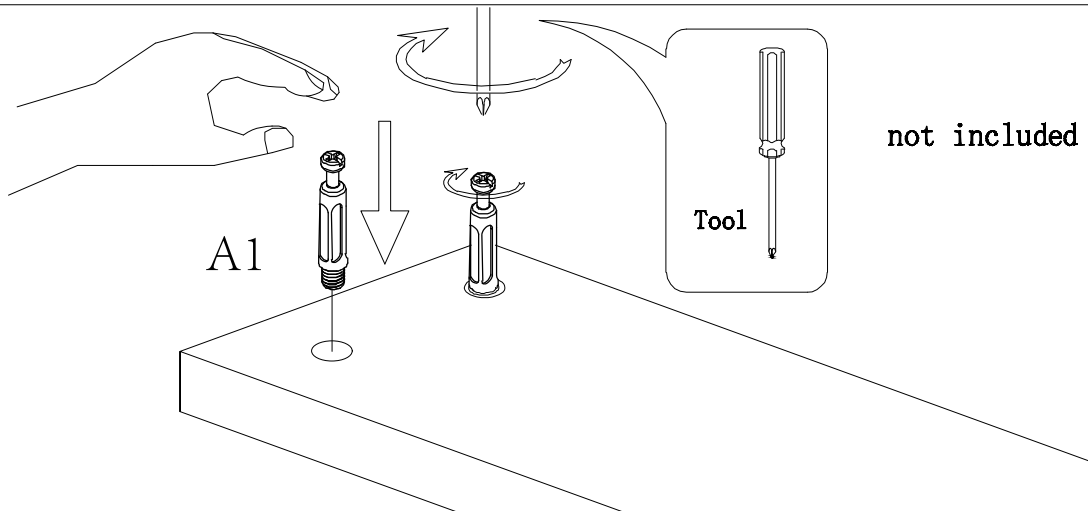
L=694mm

Hardware installation demonstration

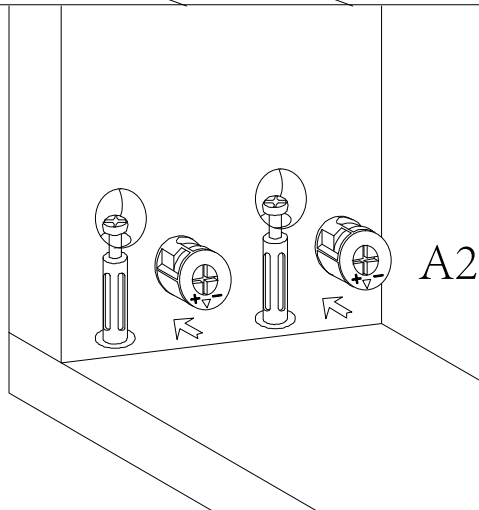


NOTE: Please make sure "A1" hardware tightened and can't be pulled out!

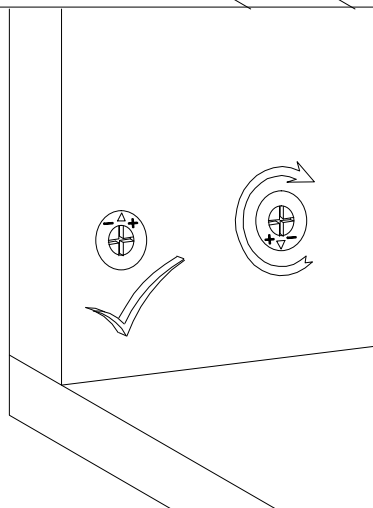
I



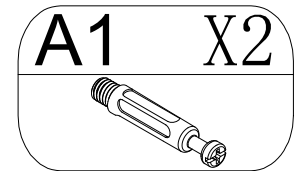
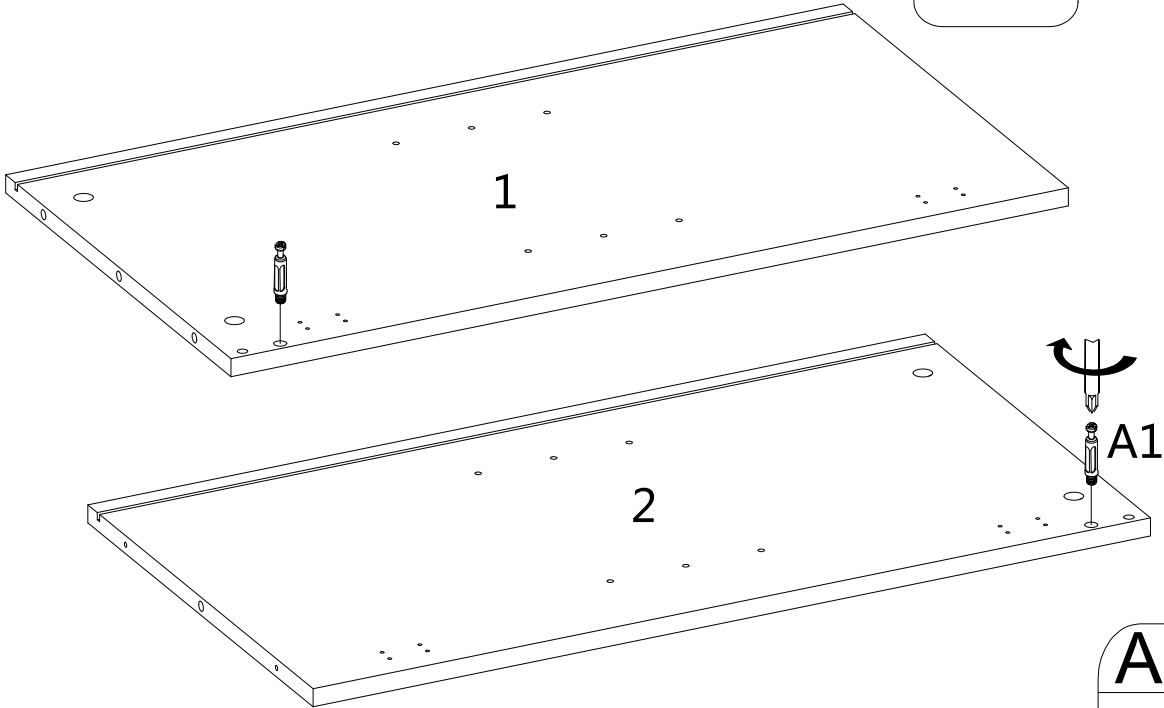
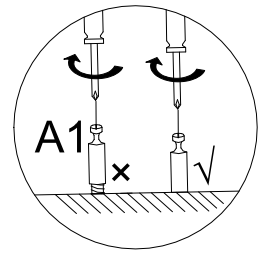
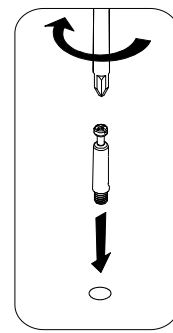
II



III

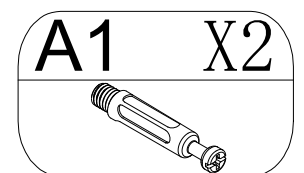
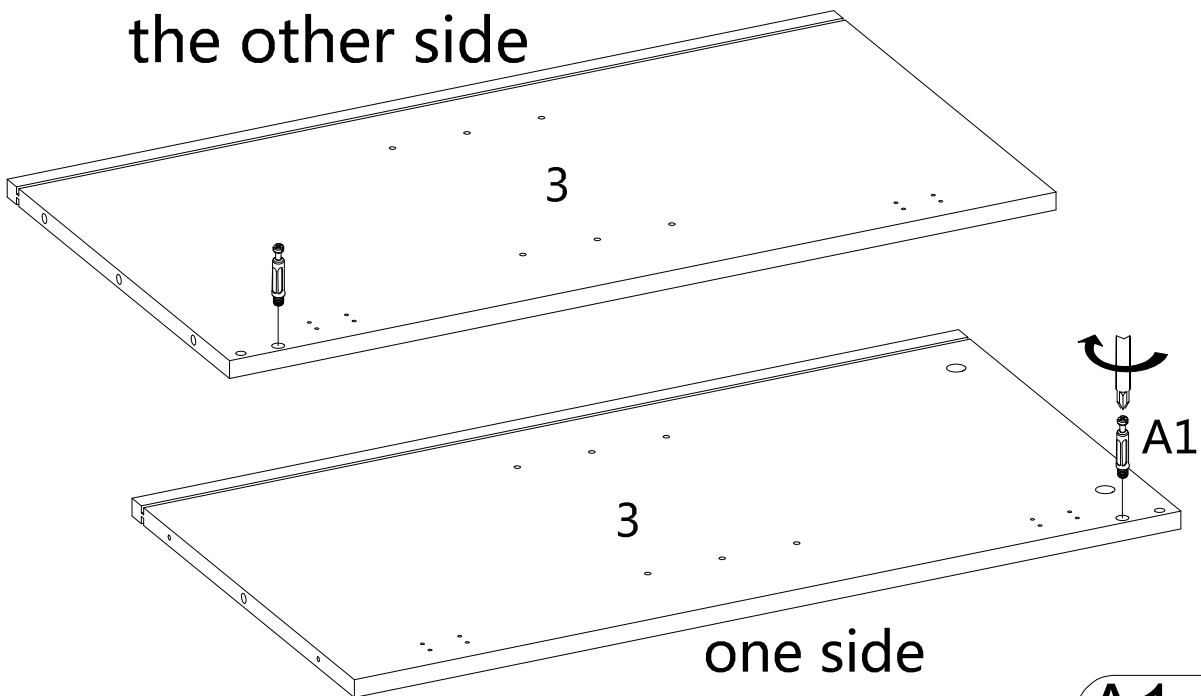


STEP 1

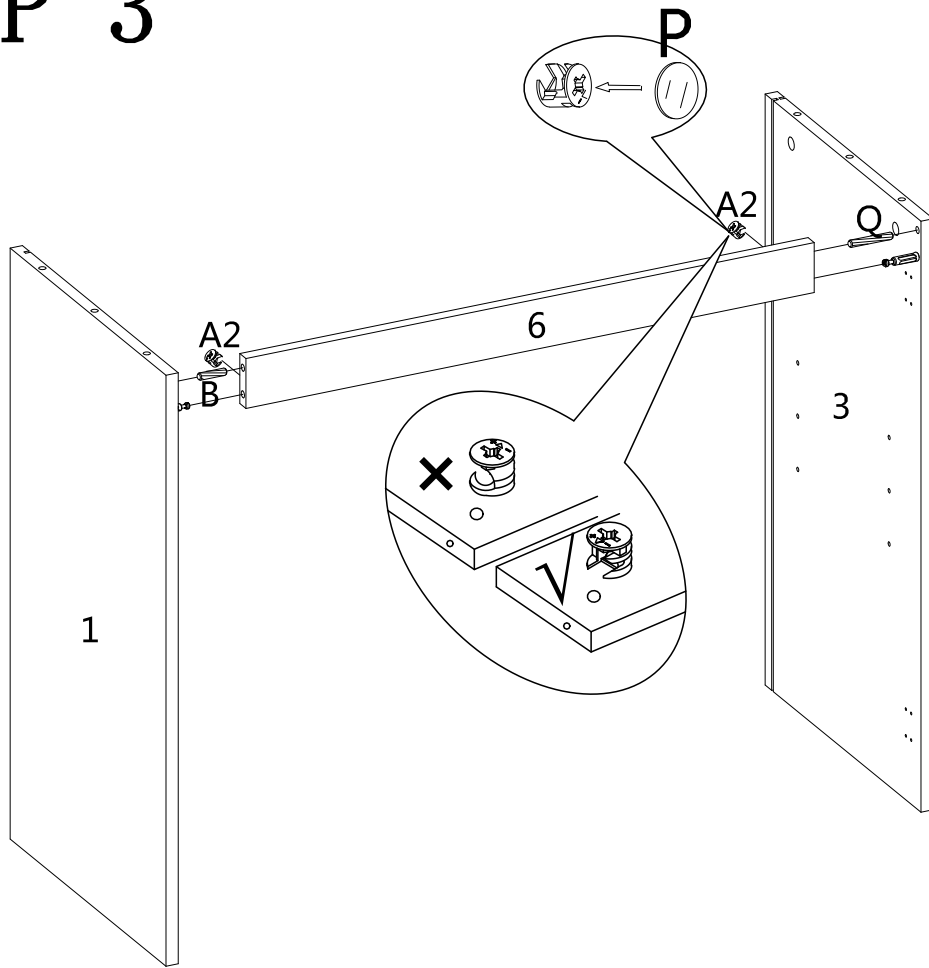


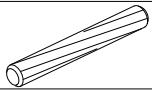
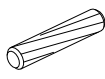


STEP 2

the other side

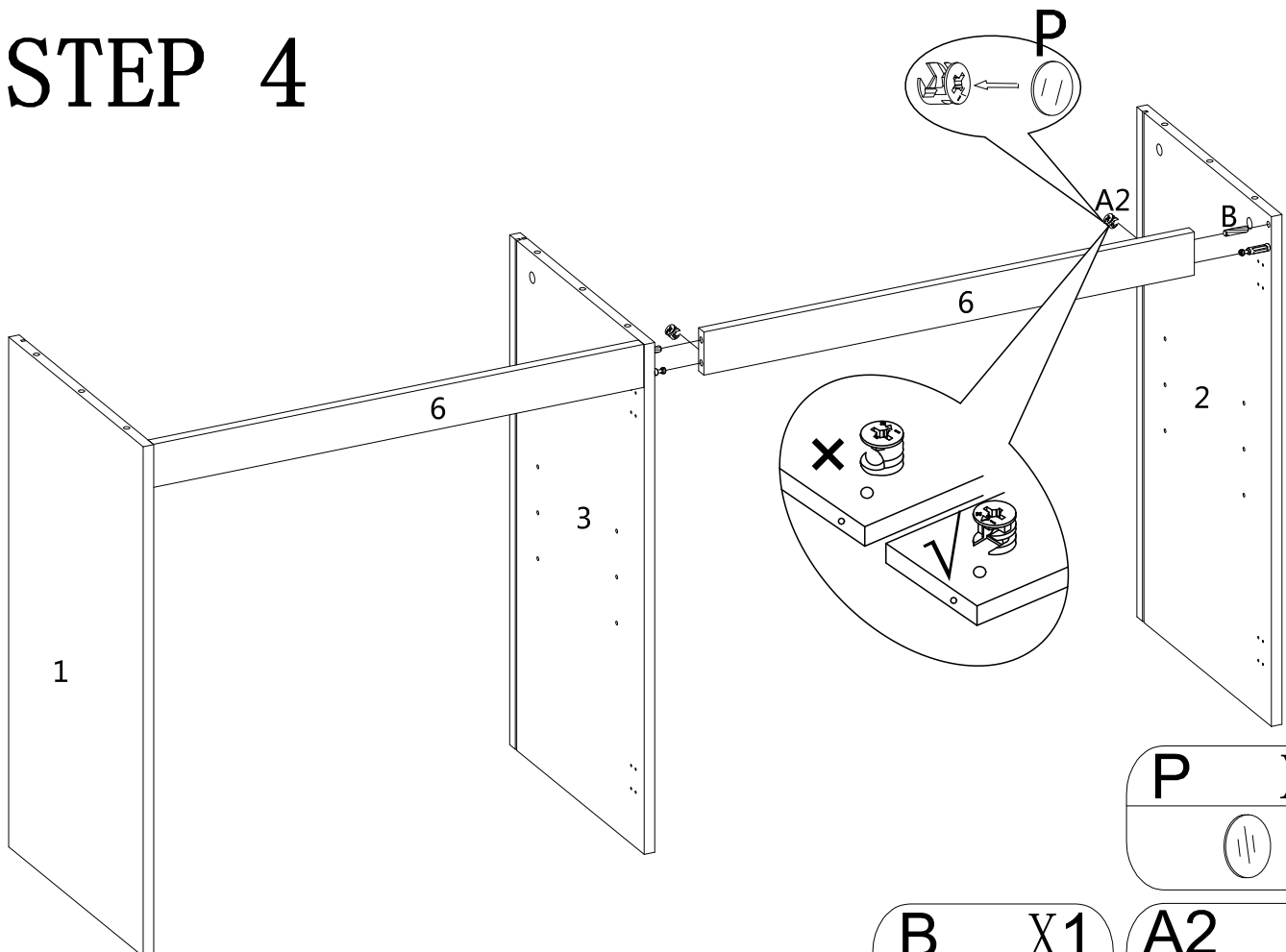



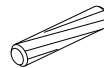

STEP 3



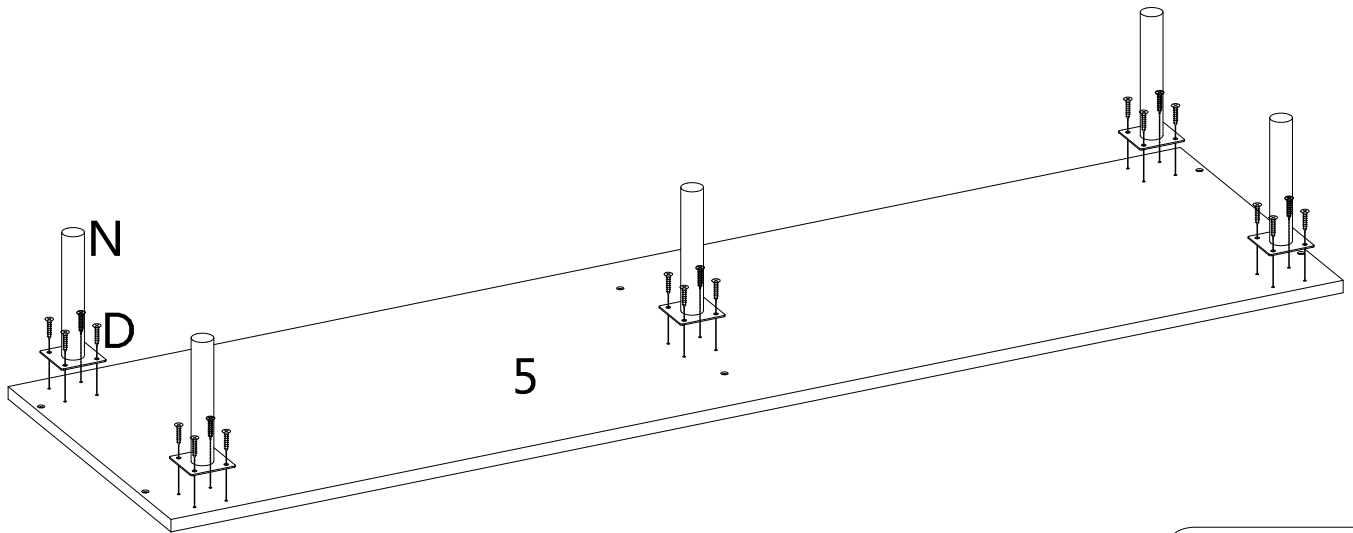
Q	X1
	
B	X1
	
P	X2
	
A2	X2
	

STEP 4



P	X2
	
B	X1
	
A2	X2
	

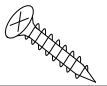
STEP 5



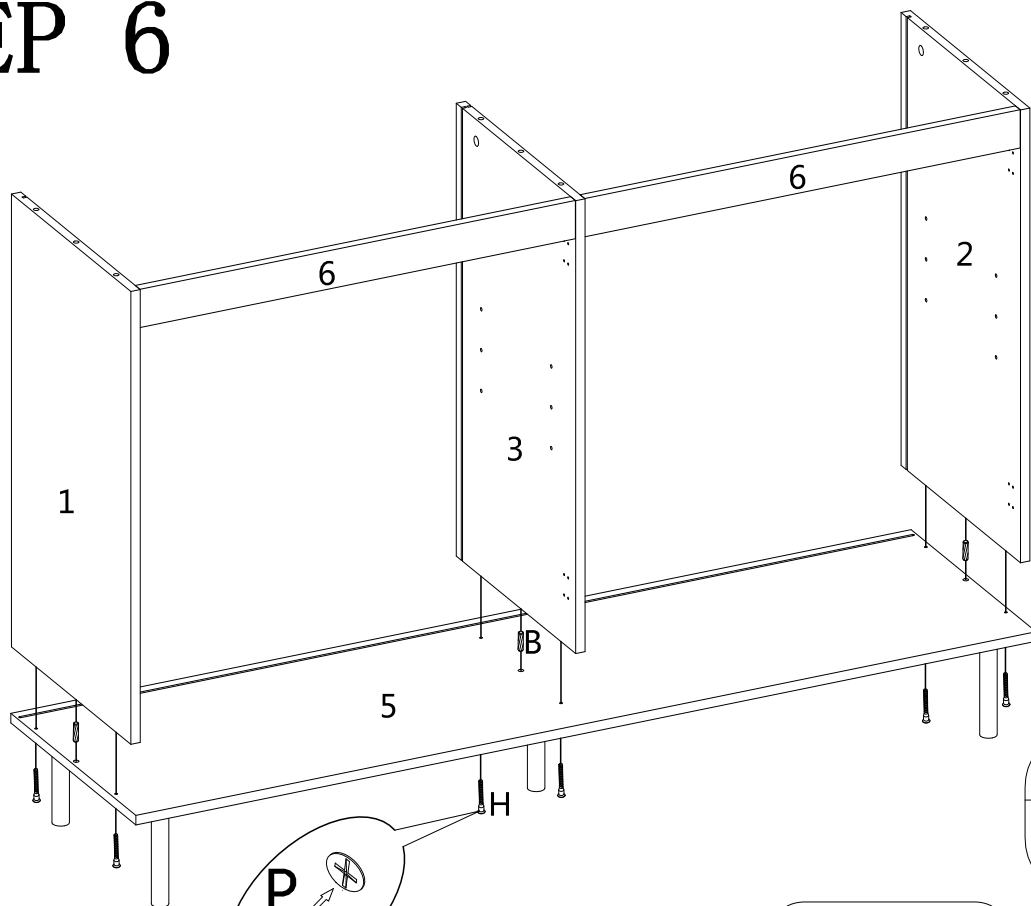
N X5



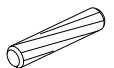
D X20



STEP 6



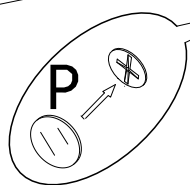
B X3



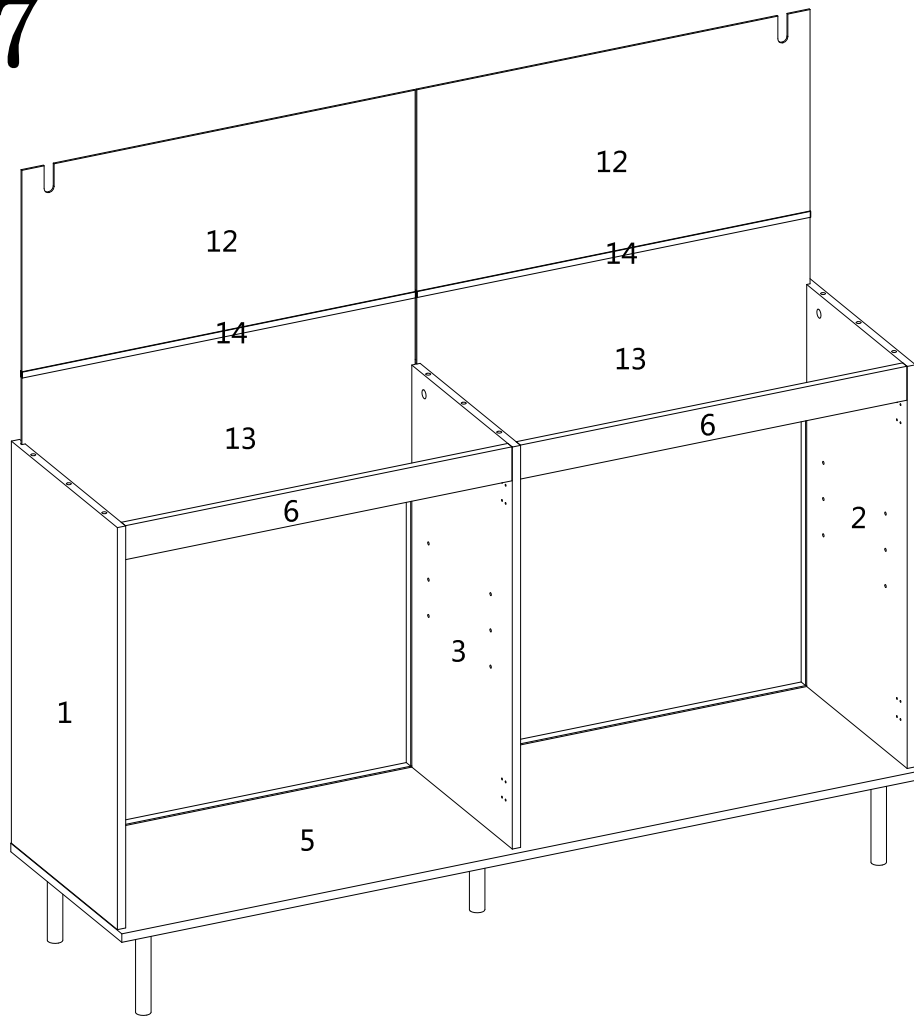
P X6



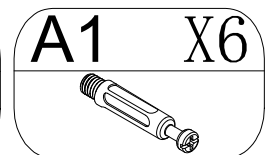
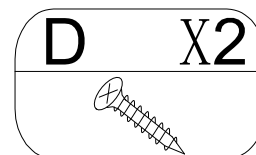
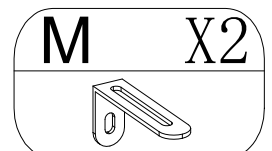
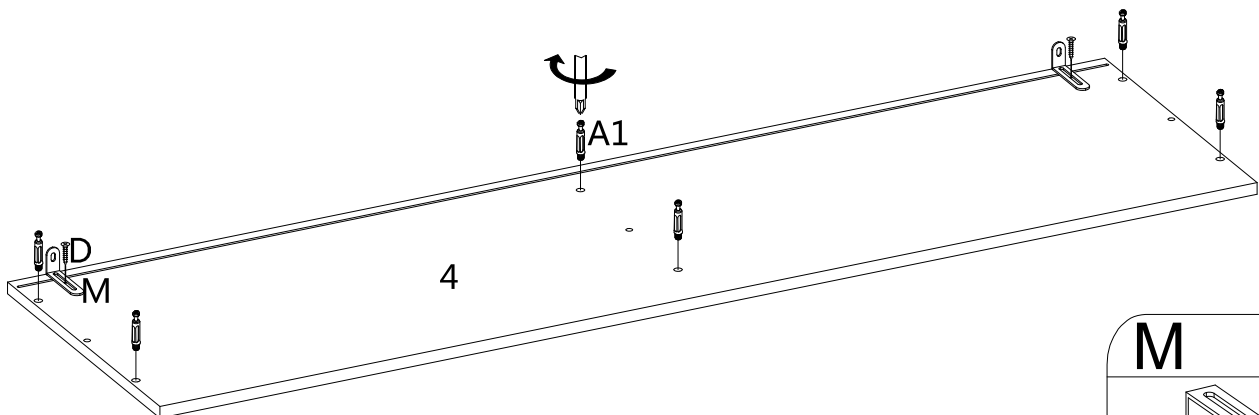
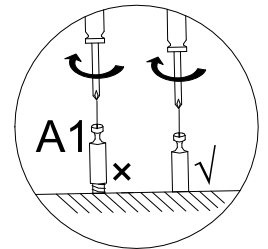
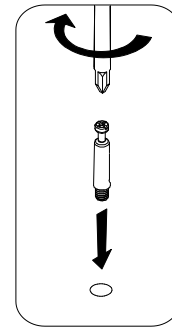
H X6



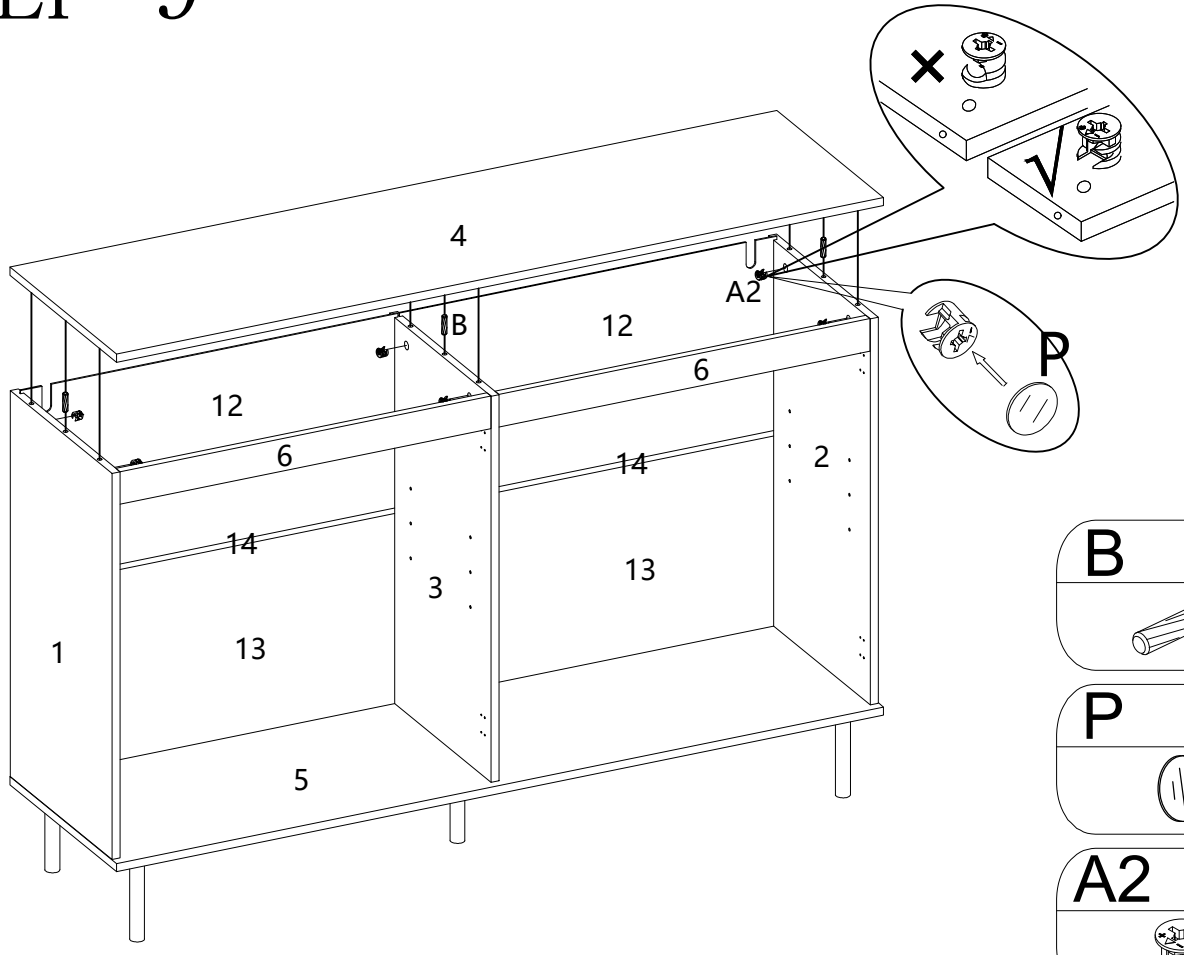
STEP 7



STEP 8

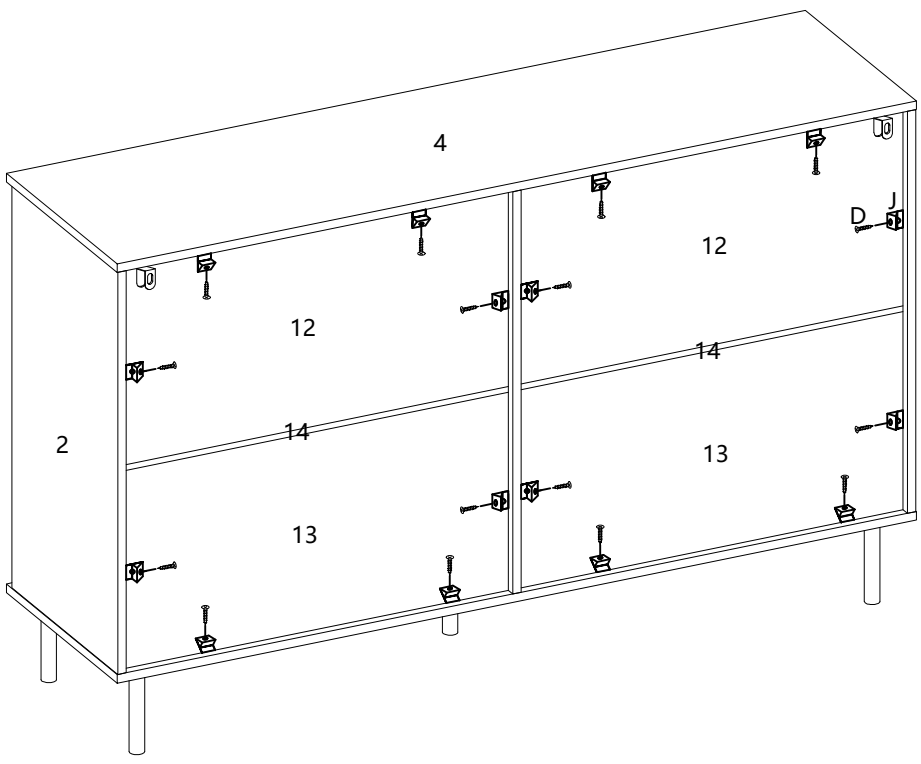


STEP 9



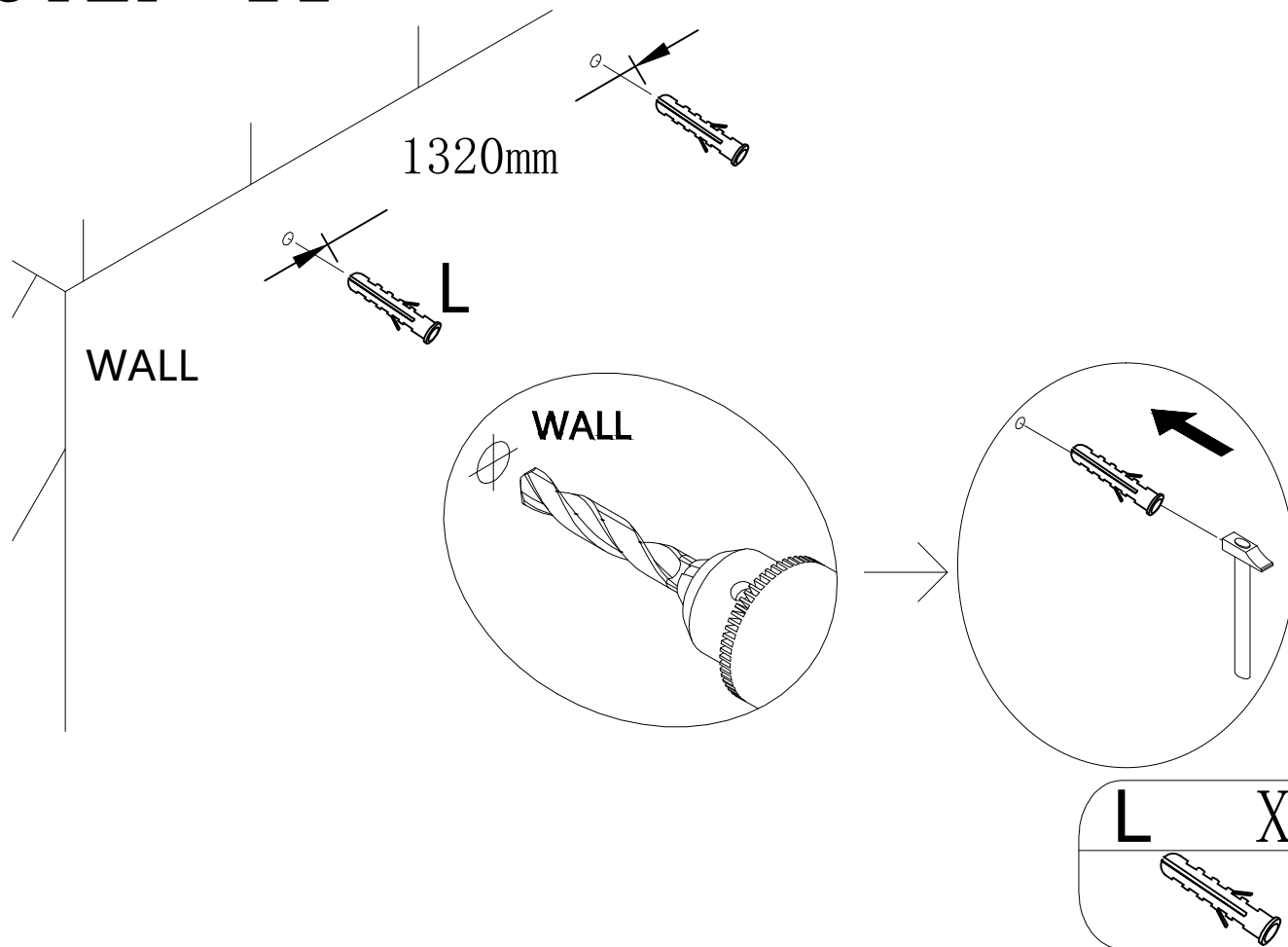
- | | |
|-----------|-----------|
| B | X3 |
| | |
| P | X6 |
| | |
| A2 | X6 |
| | |

STEP 10

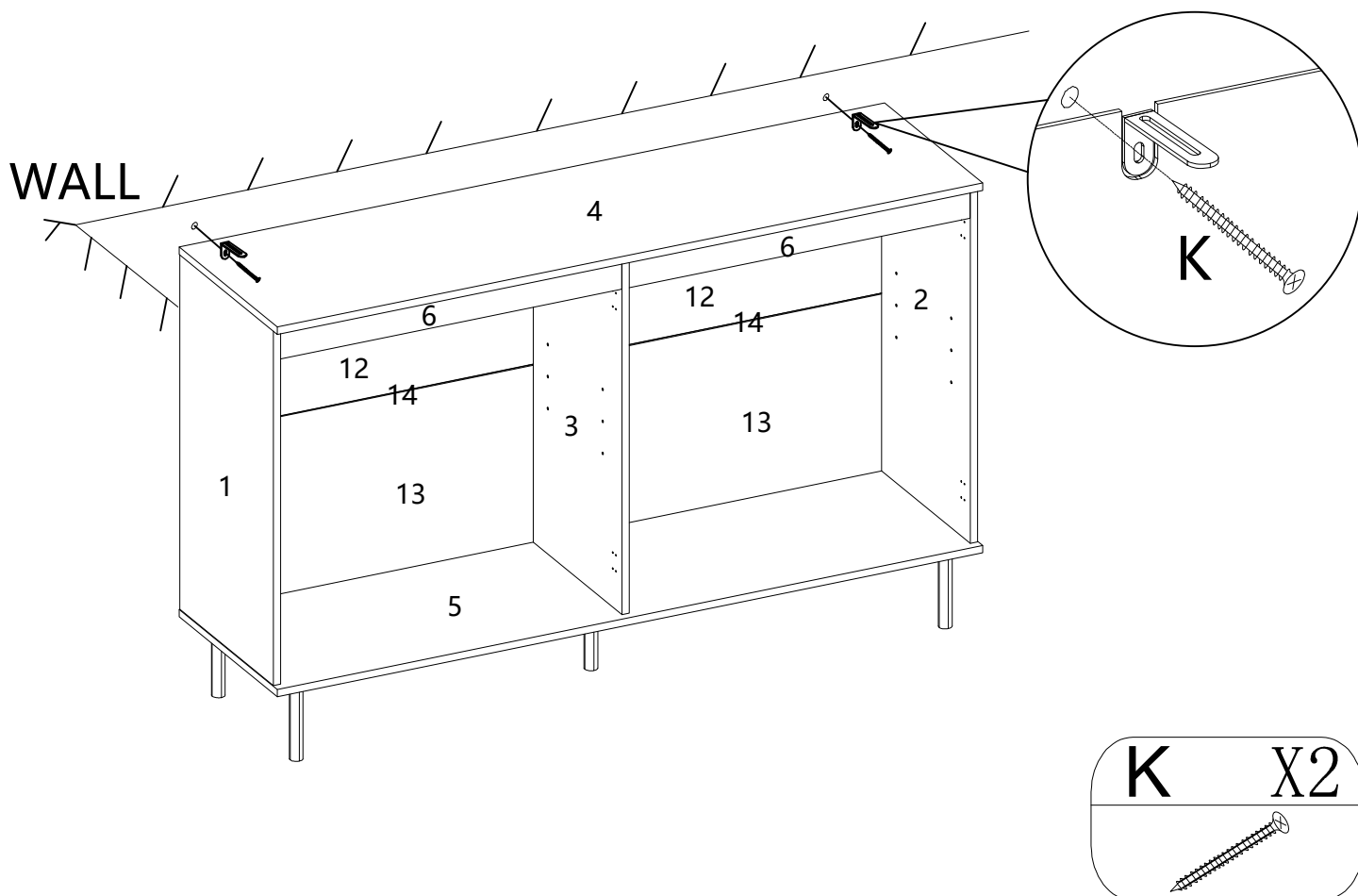


- | | |
|----------|------------|
| J | X16 |
| | |
| D | X16 |
| | |

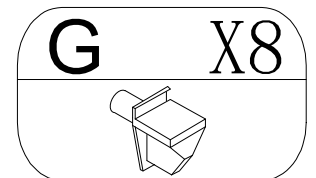
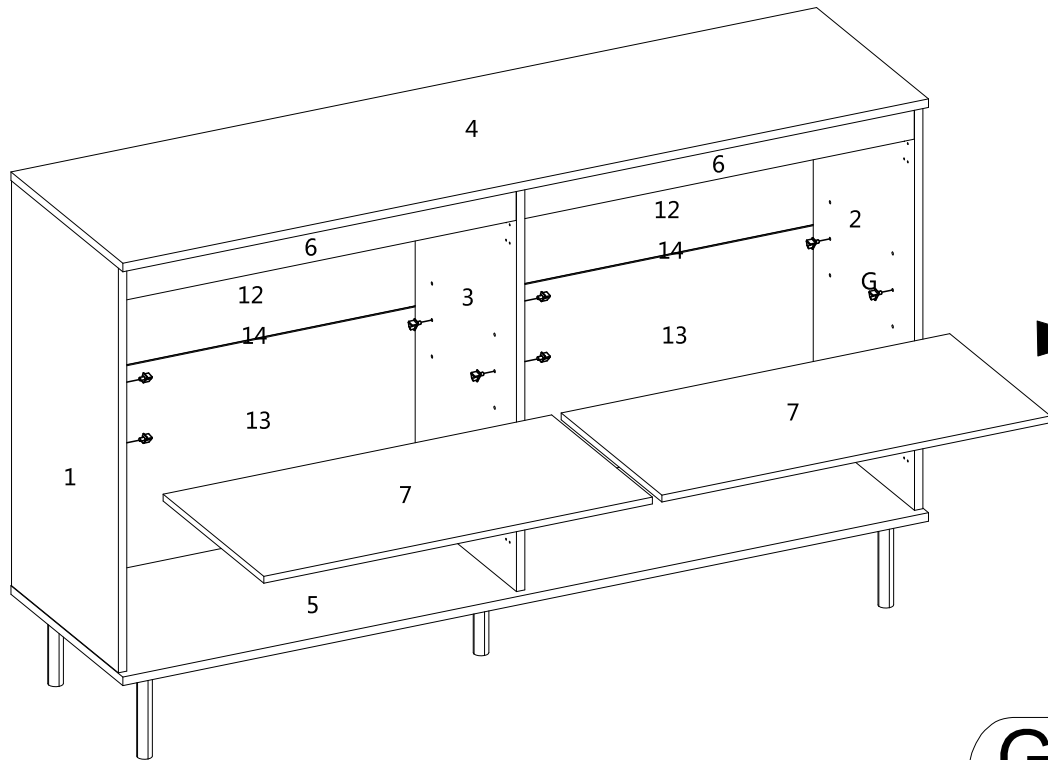
STEP 11



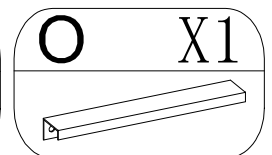
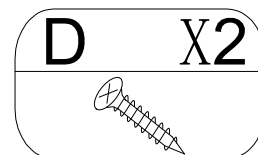
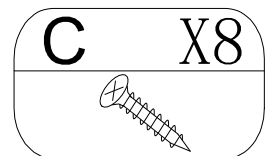
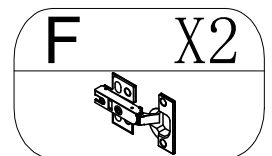
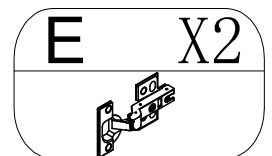
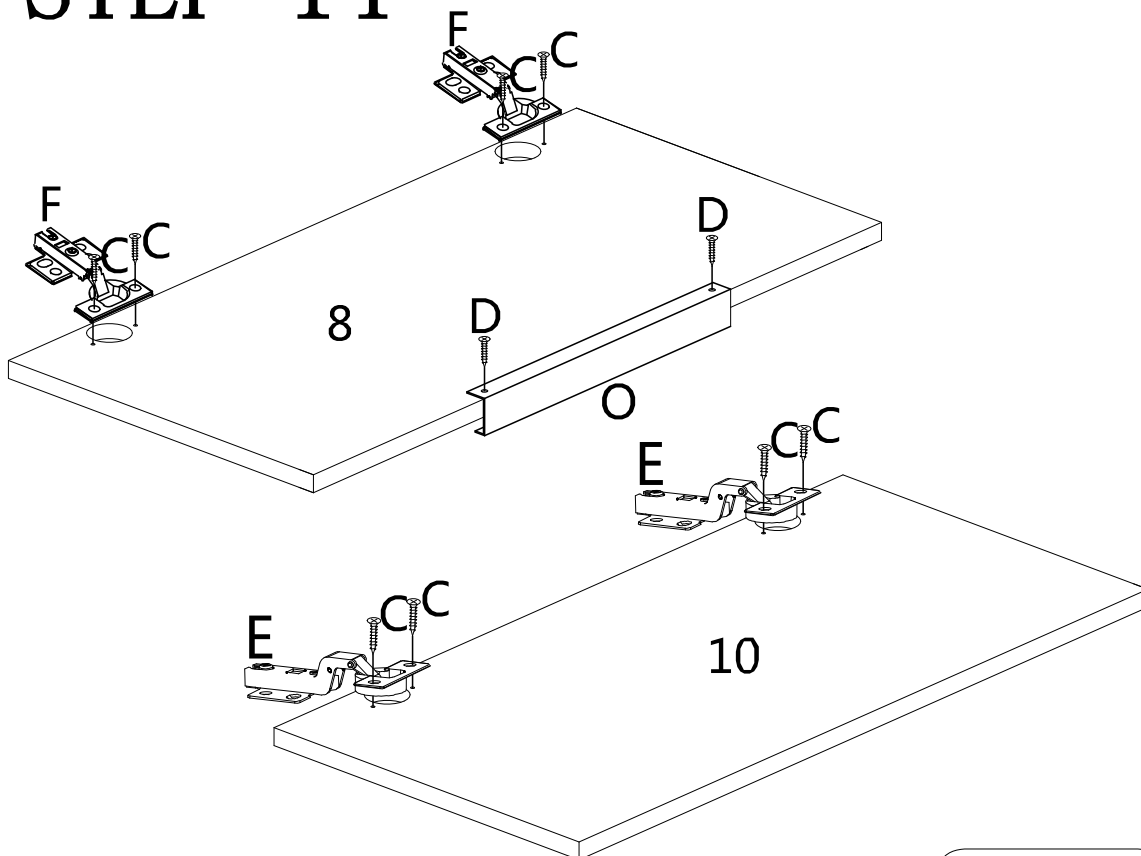
STEP 12



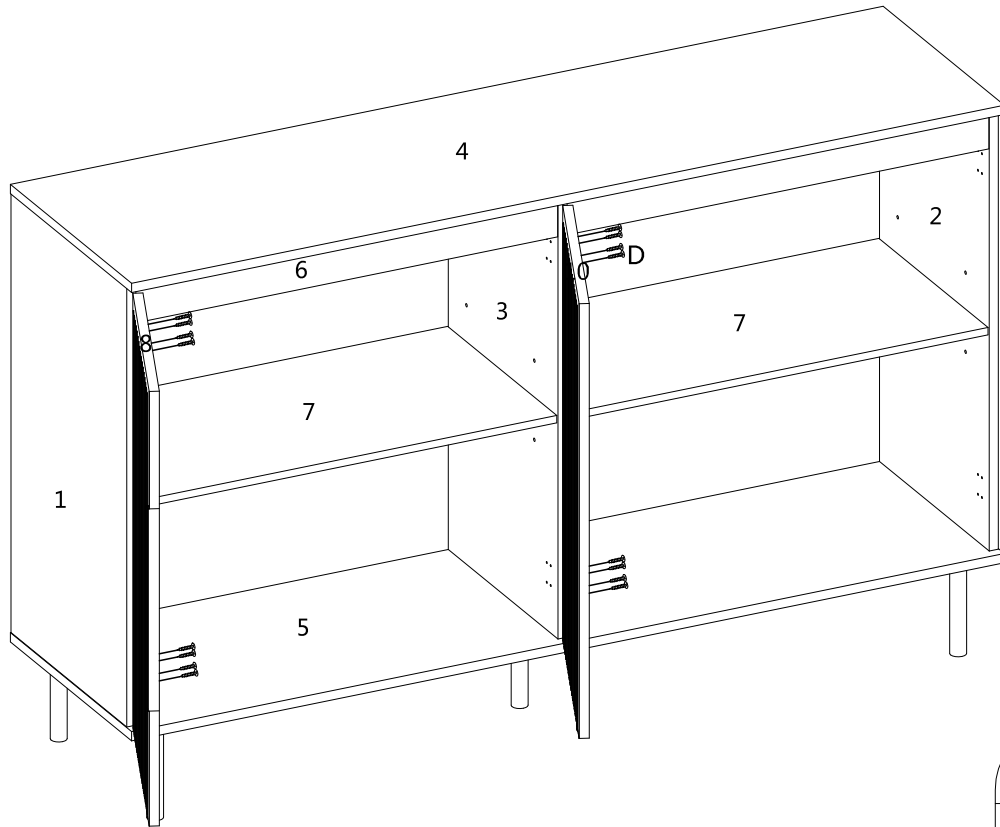
STEP 13



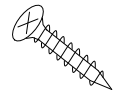
STEP 14



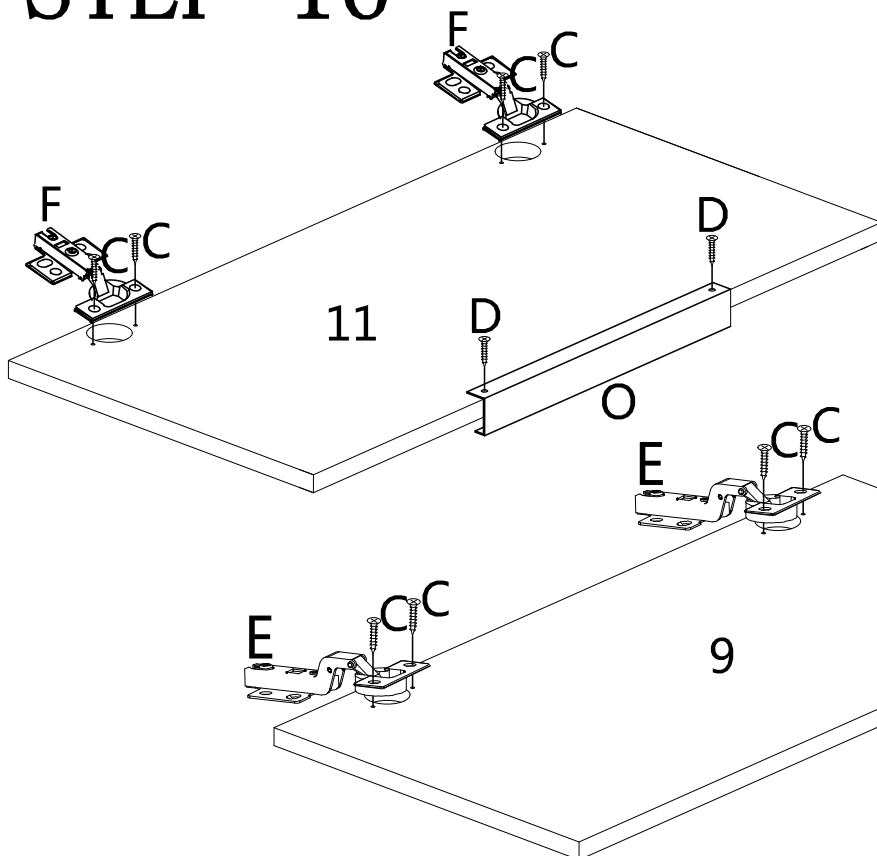
STEP 15



D X16



STEP 16



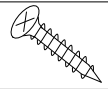
E X2



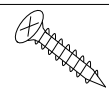
F X2



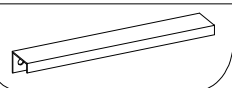
C X8



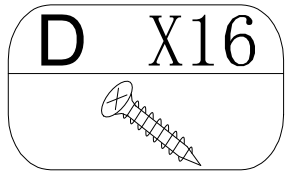
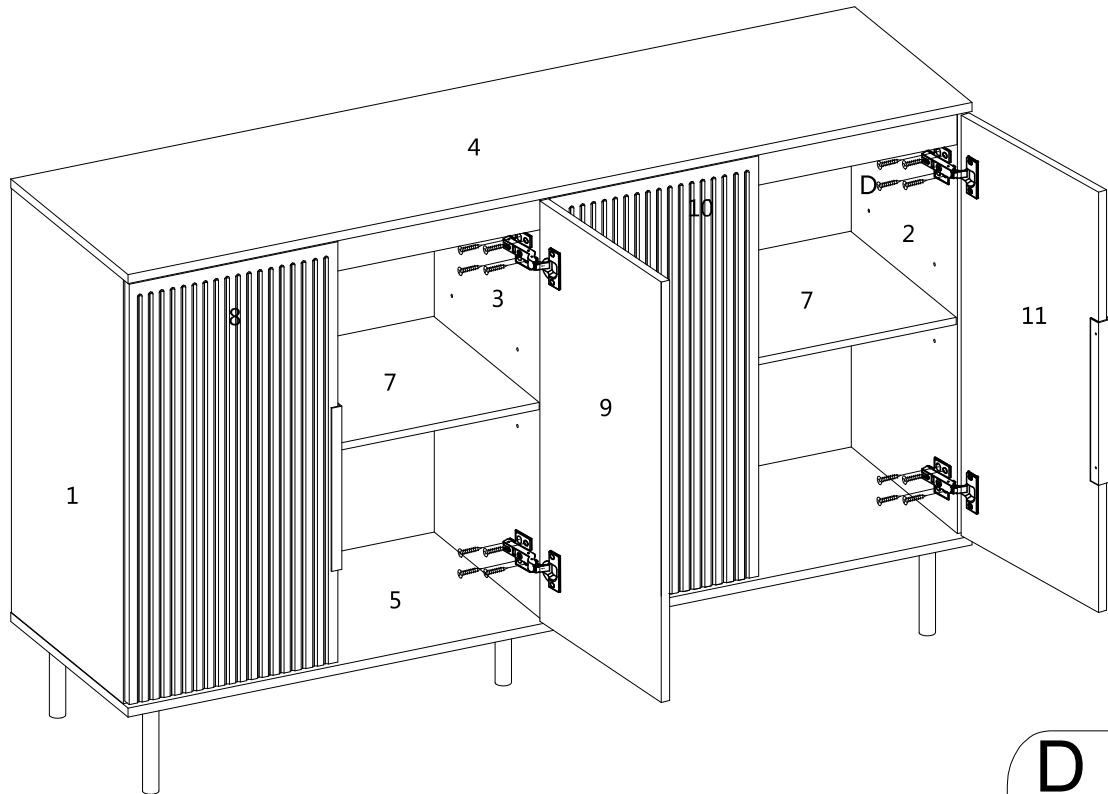
D X2



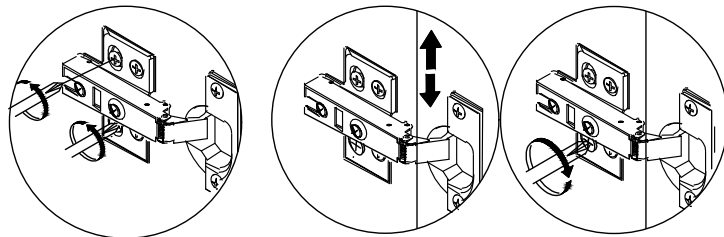
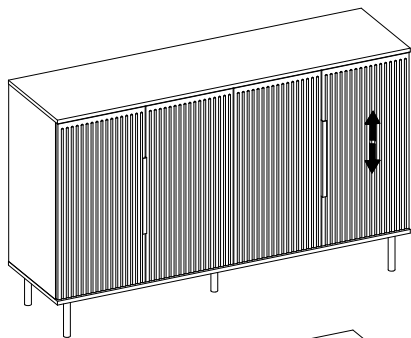
O X1



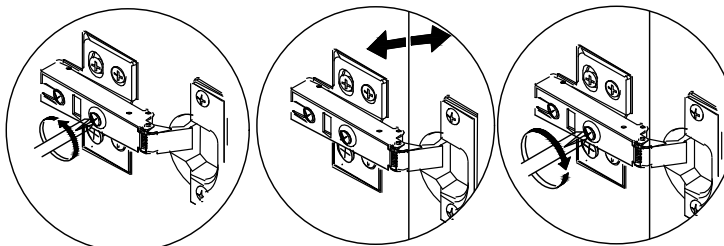
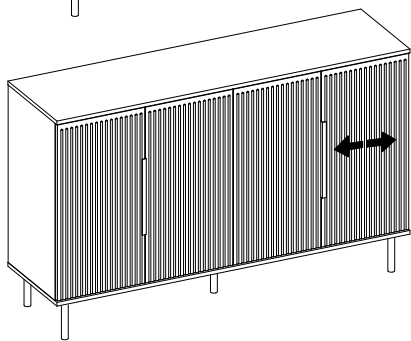
STEP 17



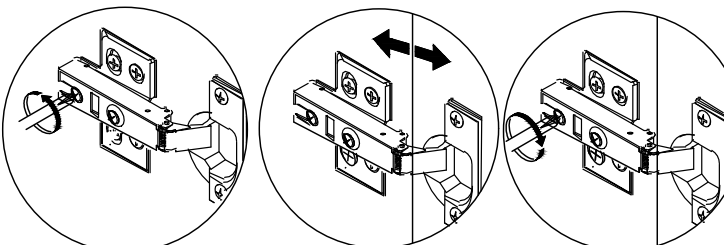
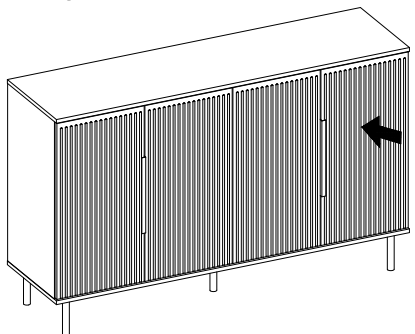
STEP 18



Cabinet door up and down fine adjustment



Cabinet door left and right fine adjustment



Fine-tune the gap after the cabinet door is closed

STEP 19

