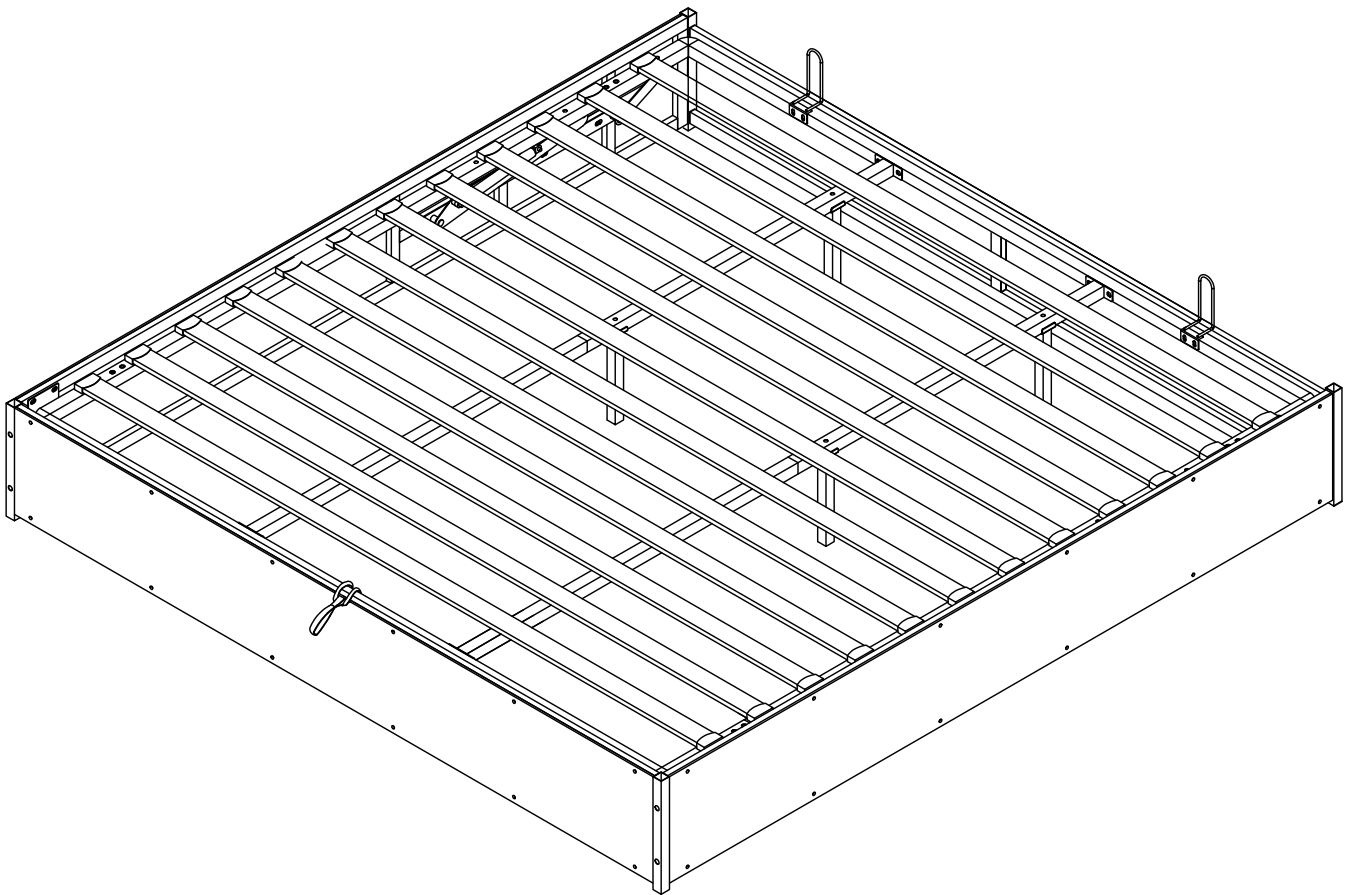


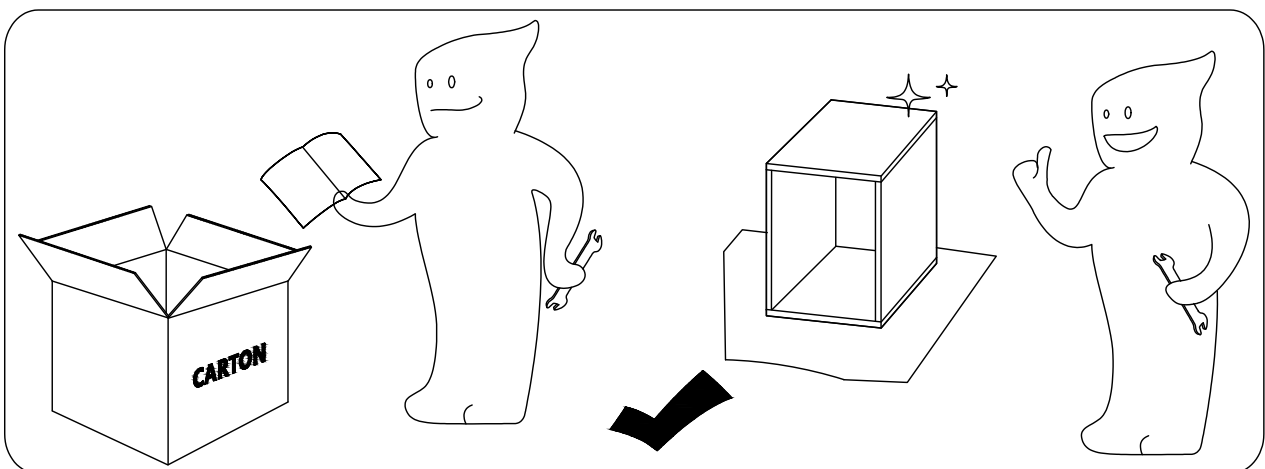
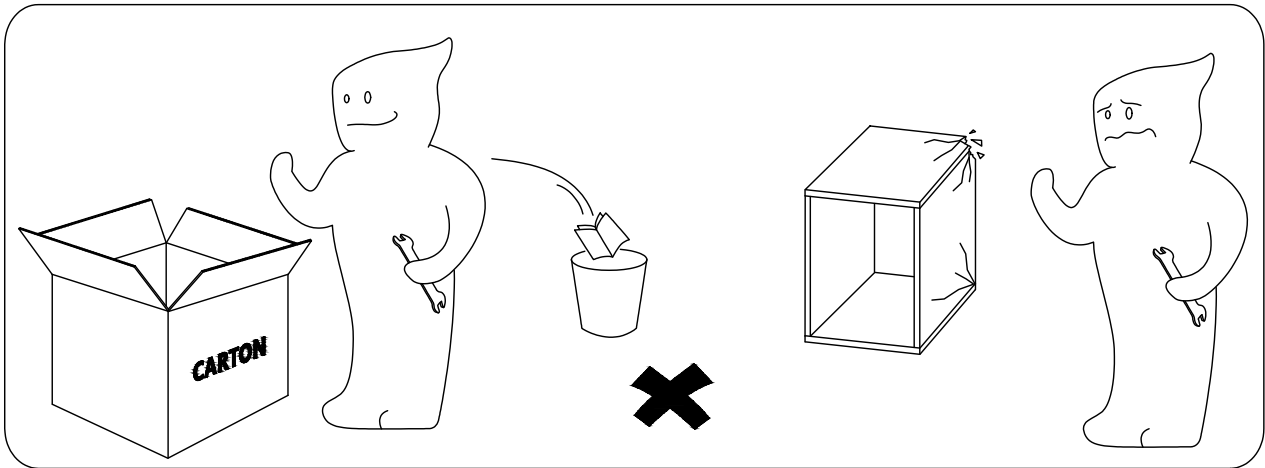
Lift Up Storage Platform Bed Frame



Dear Customers,
Thank you for purchasing our product. Please read this instruction manual carefully after receiving this product. It will help you assemble this product quickly, safely and correctly. You can keep this manual for future reference.

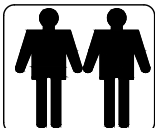
! IMPORTANT

Please follow the instruction manuals and use a pad to protect the product during your assembly.

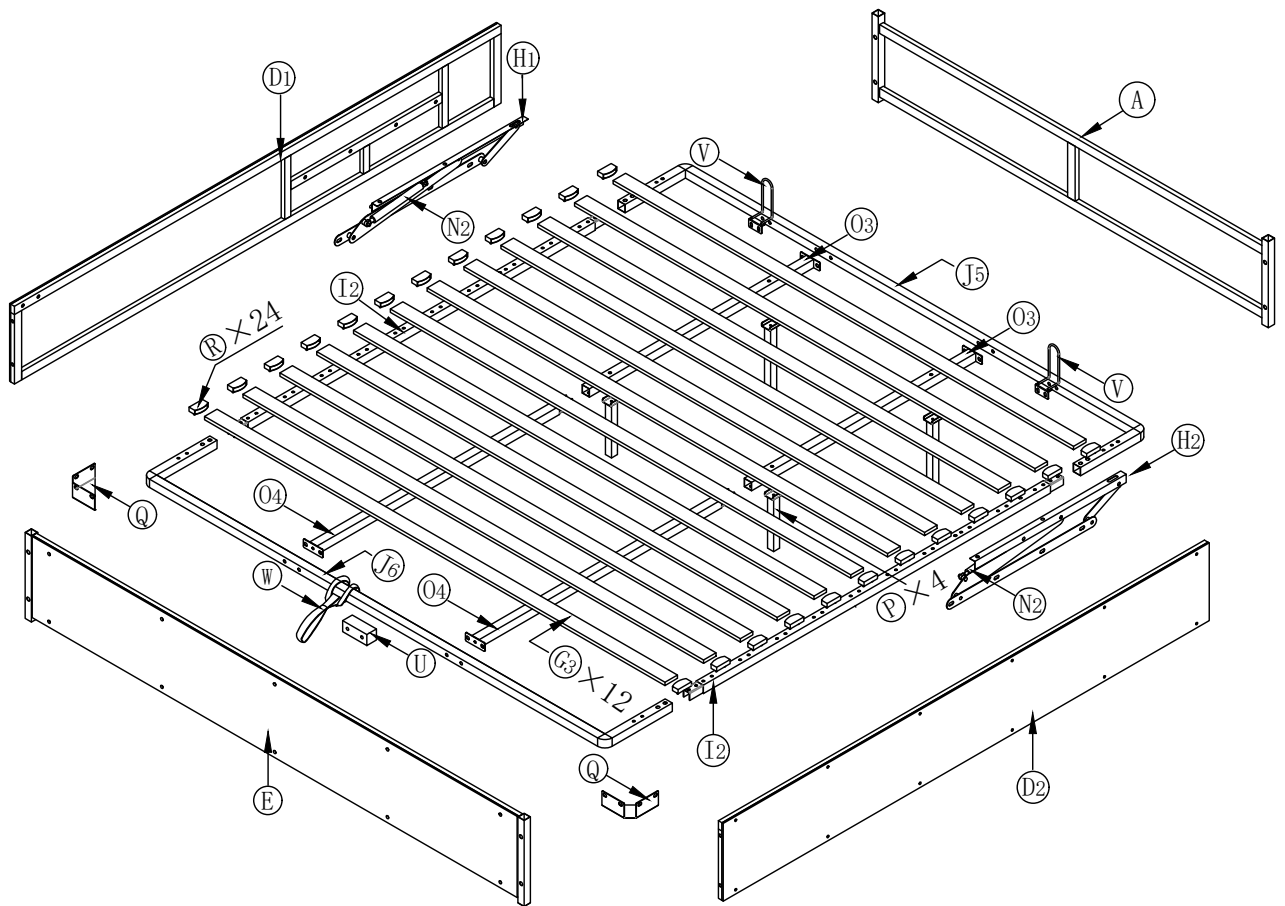


Note:

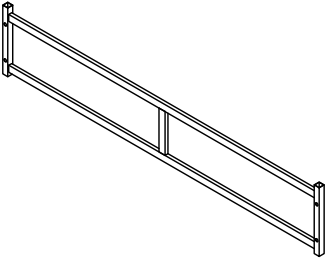
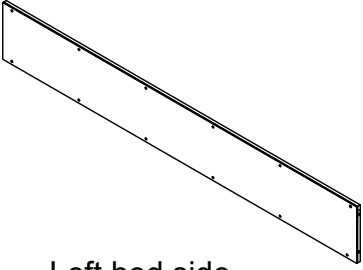
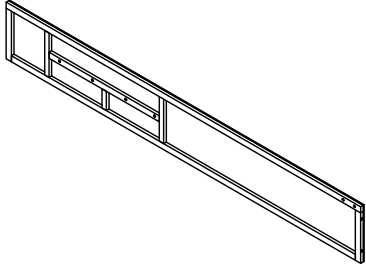
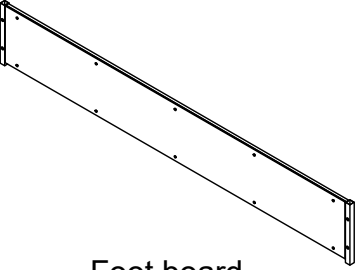
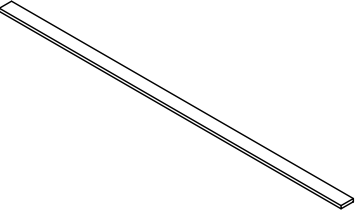
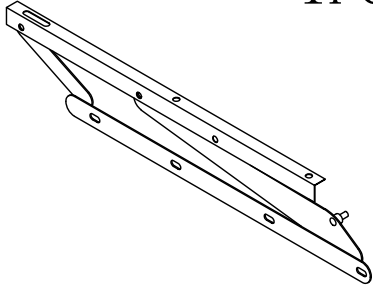
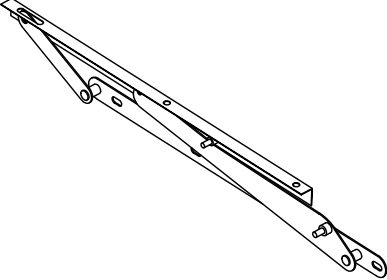
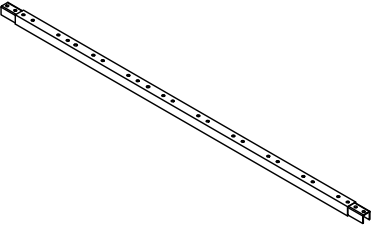
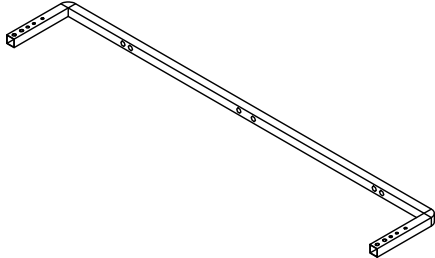
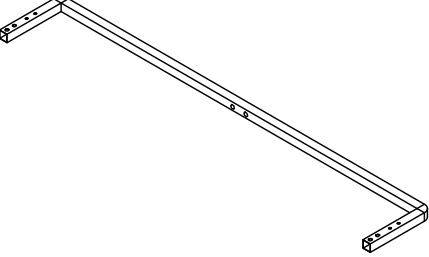
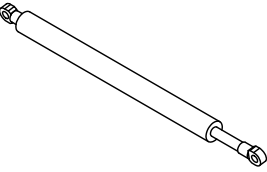
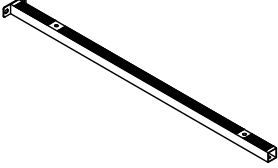
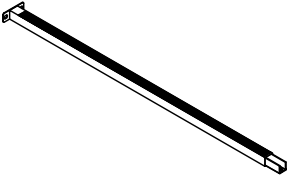

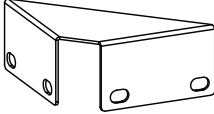
1. Should be assembled on flat ground to keep balance.
2. Before completing the installation, do not tighten the screws.



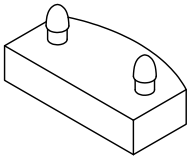
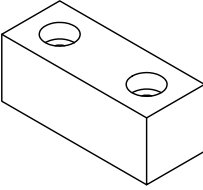
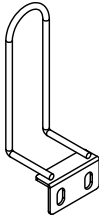
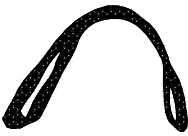
For easier and better assembly, 2 or more adults are required.



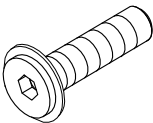
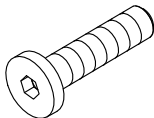
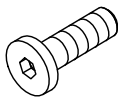
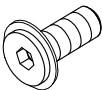
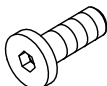
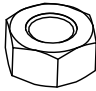
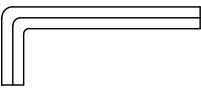
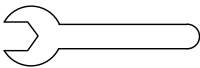
Part list

| | | |
|--|---|---|
| <p>A 1PC</p>  <p>Front headboard</p> | <p>D1 1PC</p>  <p>Left bed side</p> | <p>D2 1PC</p>  <p>Right bed side</p> |
| <p>E 1PC</p>  <p>Foot board</p> | <p>G3 12PCS</p>  <p>Slat</p> | <p>H1 1PC</p>  <p>Left lift frame</p> |
| <p>H2 1PC</p>  <p>Right lift frame</p> | <p>I2 2PCS</p>  <p>Hydraulic rod</p> | <p>J5 1PC</p>  <p>Front middle support bar</p> |
| <p>J6 1PC</p>  <p>Rear middle support bar</p> | <p>N2 2PCS</p>  <p>Support leg</p> | <p>O3 2PCS</p>  <p>Support leg</p> |
| <p>O4 2PCS</p>  <p>Support leg</p> | <p>P 4PCS</p>  <p>Support leg</p> | <p>Q 2PCS</p>  <p>Support leg</p> |

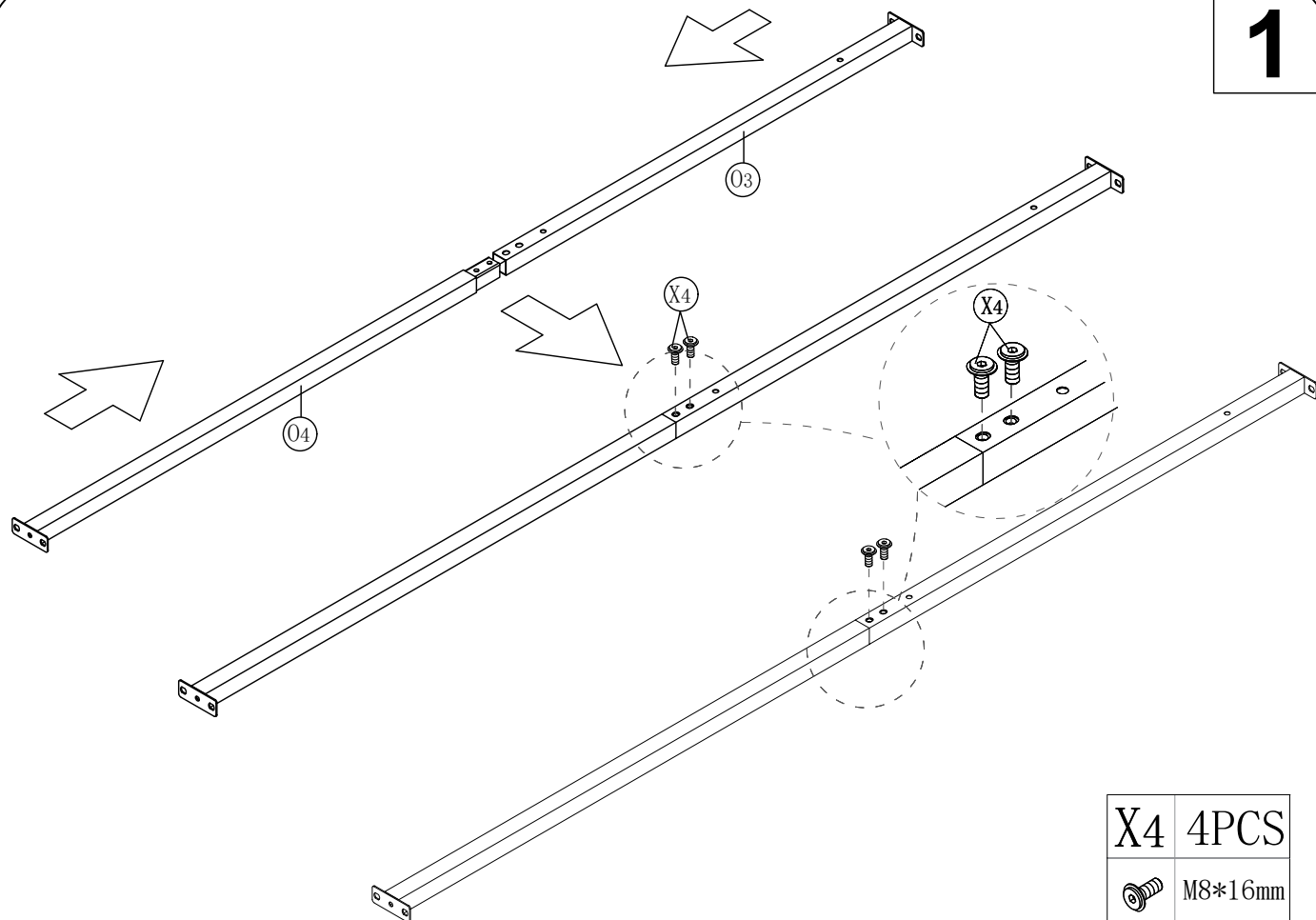
Part list

| | | | | | |
|---|-------|---|-----|---|------|
| R | 24PCS | U | 1PC | V | 2PCS |
|  | |  | |  | |
| W | 1PC | | | | |
|  | | | | | |
| | | | | | |

Hardware list

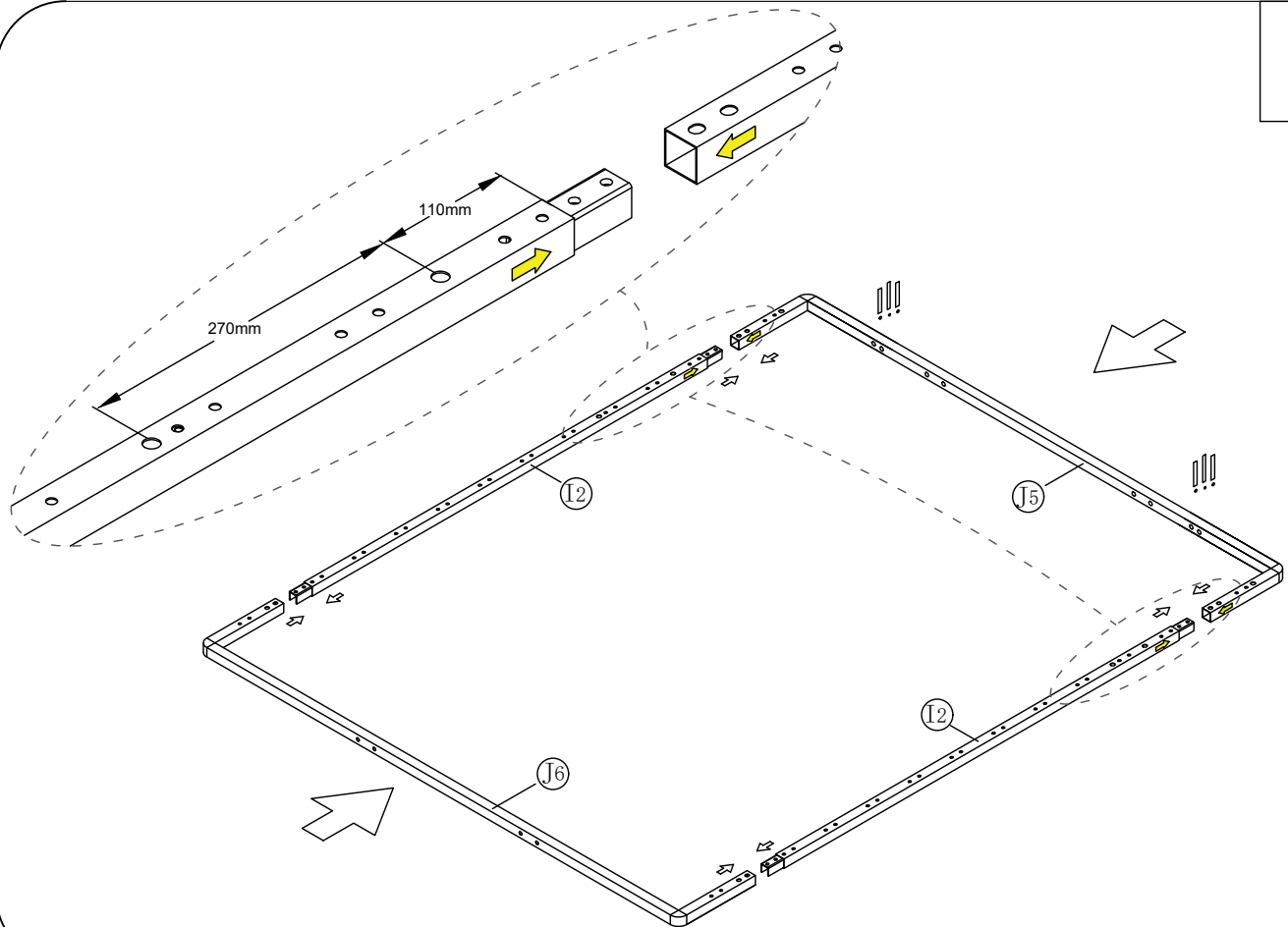
| | | | | | |
|---|-------|---|------|--|-------|
| X1 | 16PCS | X2 | 4PCS | X3 | 12PCS |
|  <p>M8*45mm</p> | |  <p>M8*40mm</p> | |  <p>M8*30mm</p> | |
| X4 | 20PCS | X5 | 8PCS | Y | 10PCS |
|  <p>M8*16mm</p> | |  <p>M8*16mm</p> | |  <p>M8</p> | |
| Z1 | 1PC | Z2 | 1PC | | |
|  <p>M8 Spanner</p> | |  <p>M8 Spanner</p> | | | |

1

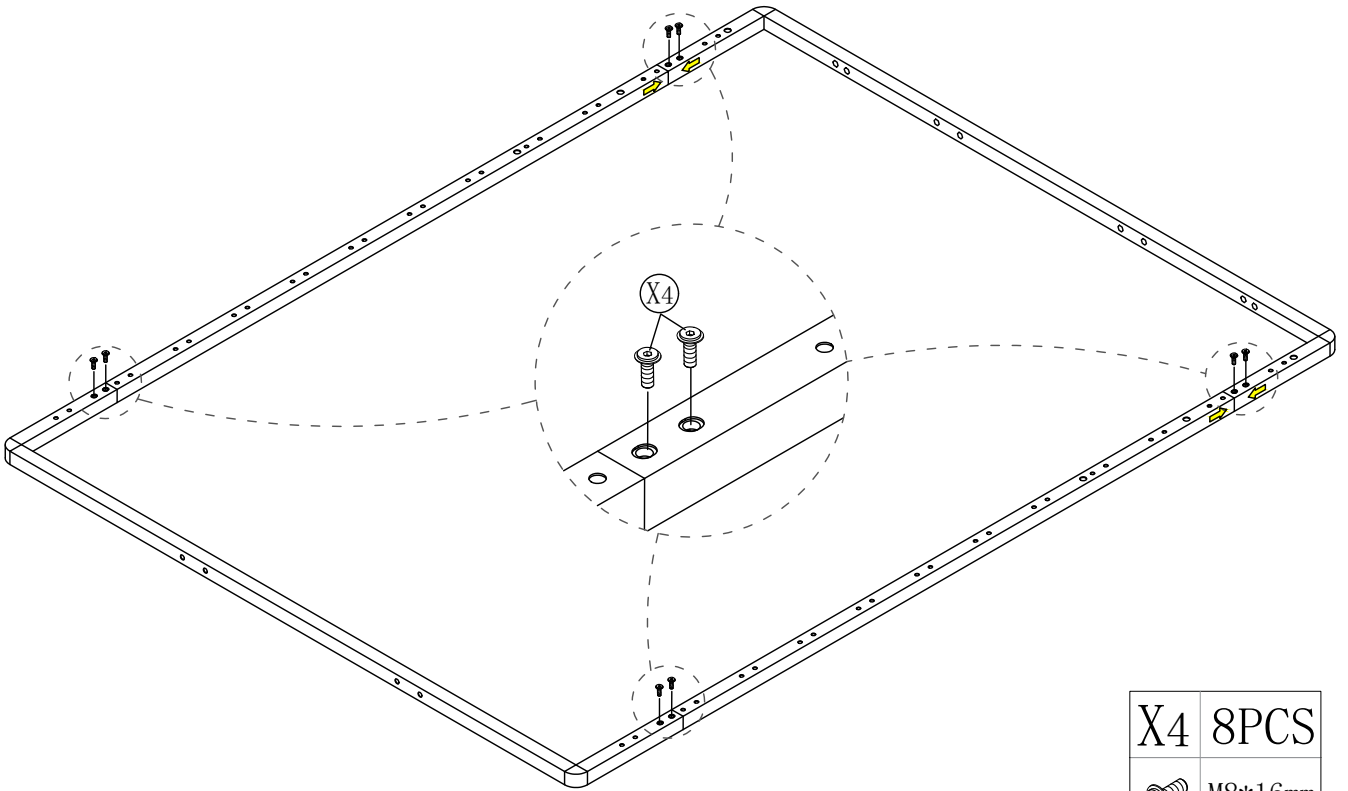



| | |
|---|---------|
| X4 | 4PCS |
|  | M8*16mm |

2

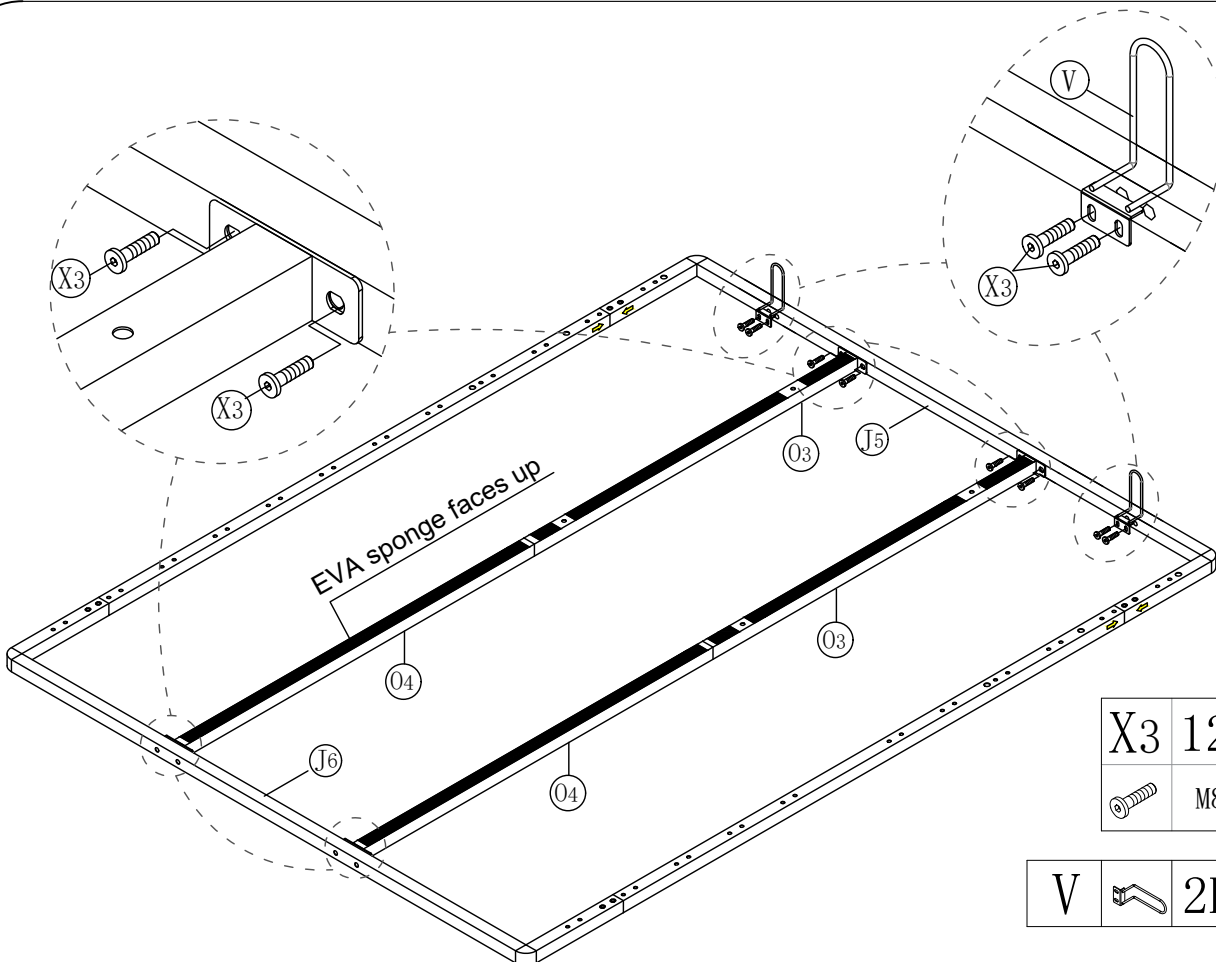



3

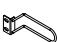


| | |
|---|---------|
| X4 | 8PCS |
|  | M8*16mm |

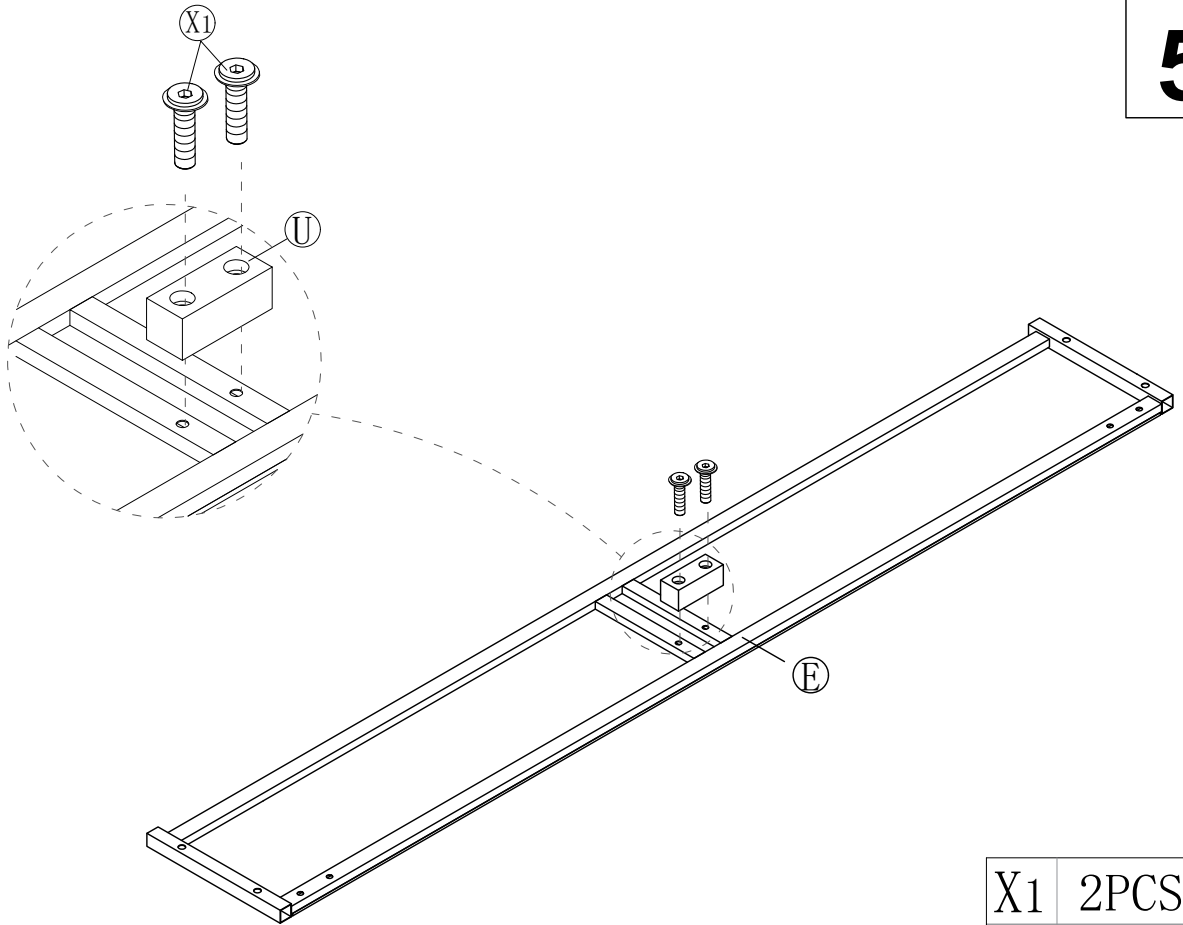
4




| | |
|---|---------|
| X3 | 12PCS |
|  | M8*30mm |

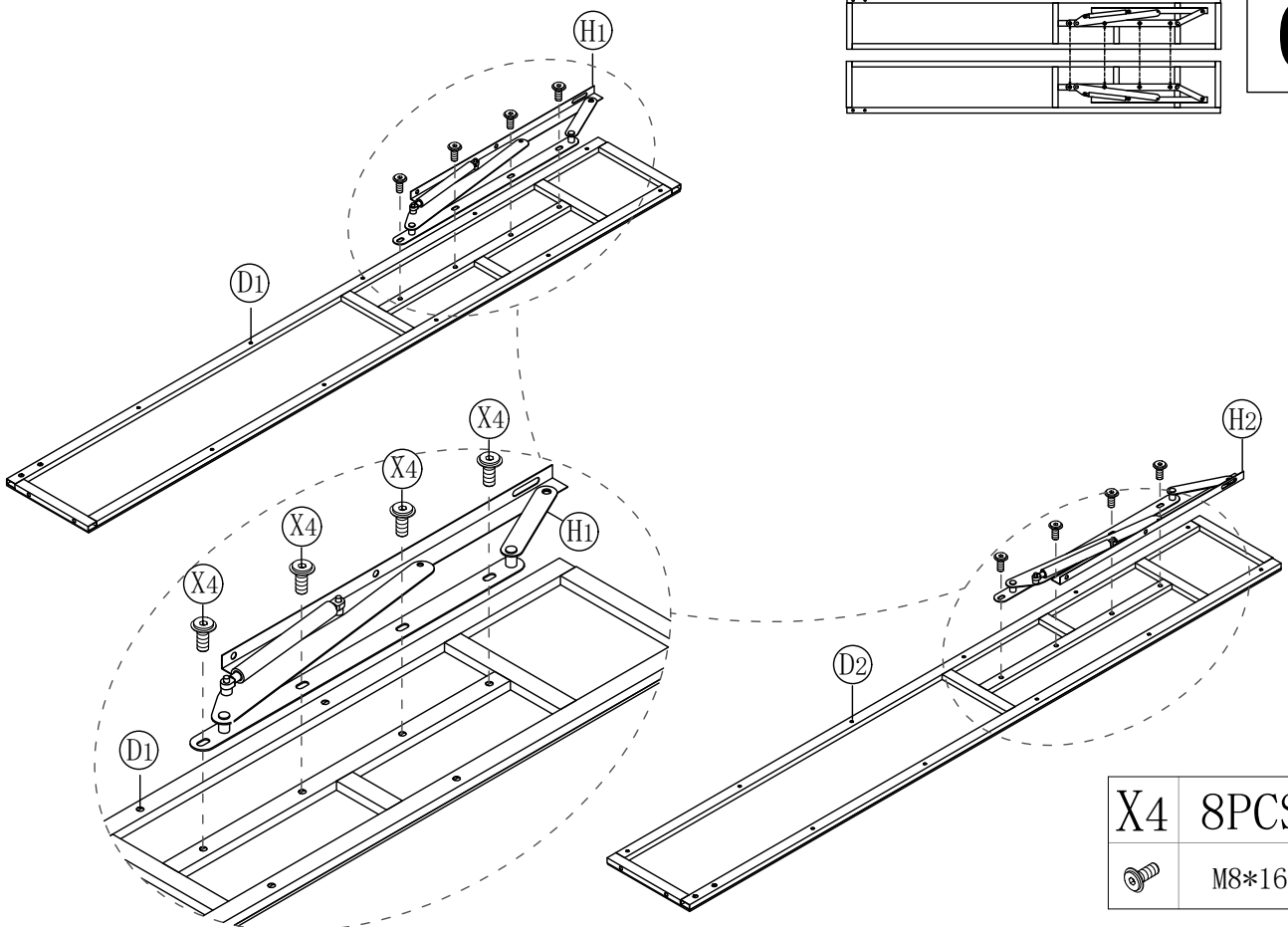
| | | |
|---|---|------|
| V |  | 2PCS |
|---|---|------|

5



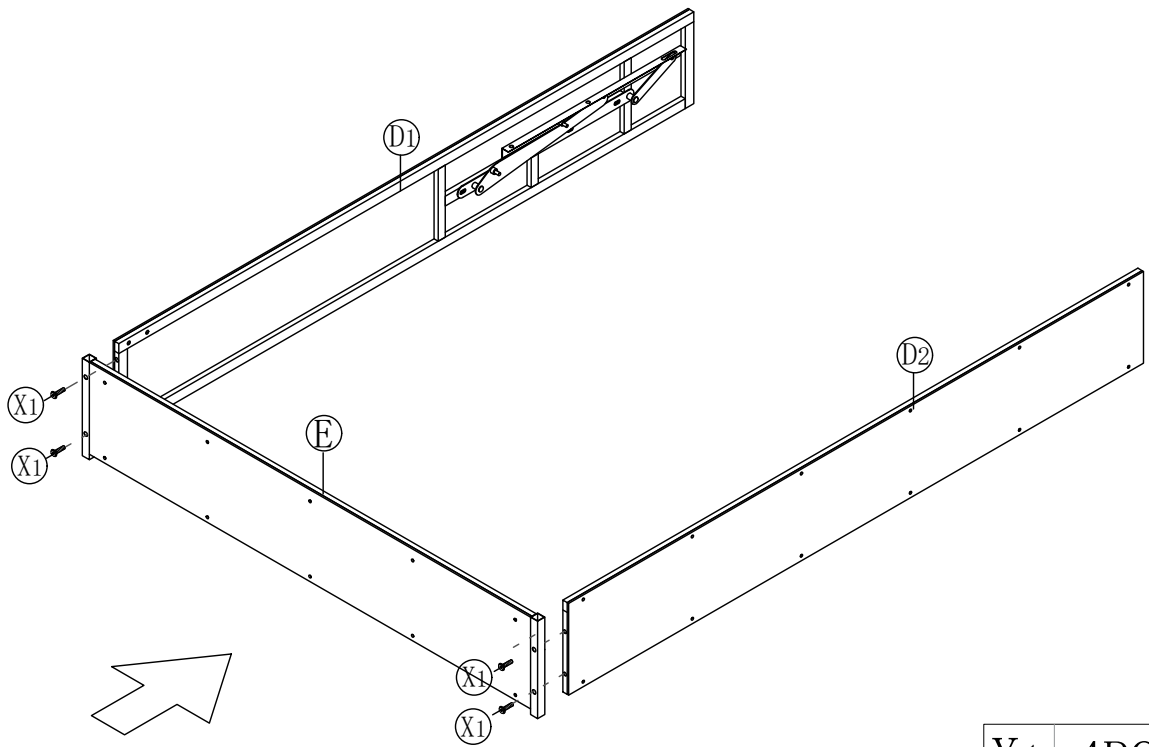
| | |
|---|---------|
| X1 | 2PCS |
|  | M8*45mm |


6



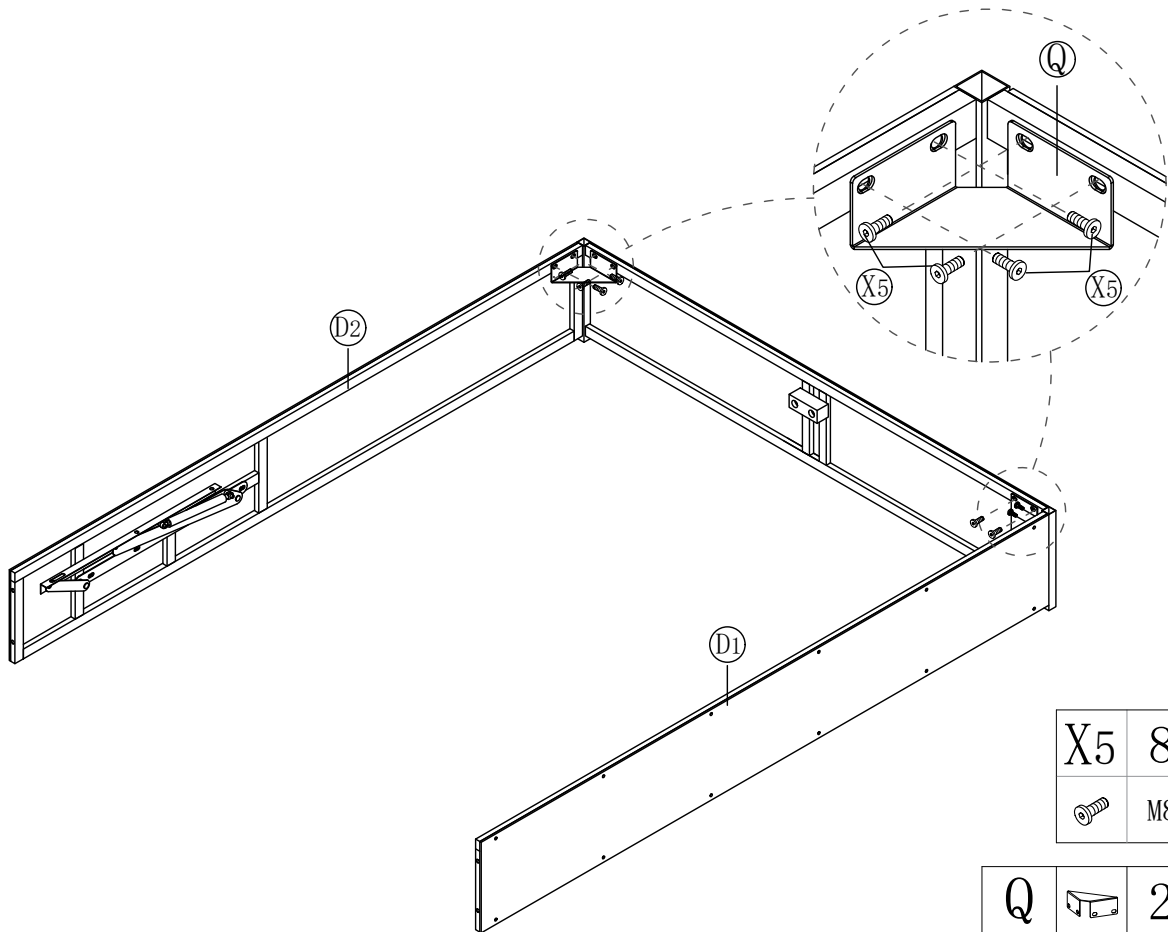
| | |
|---|---------|
| X4 | 8PCS |
|  | M8*16mm |

7




| | |
|---|---------|
| X1 | 4PCS |
|  | M8*45mm |

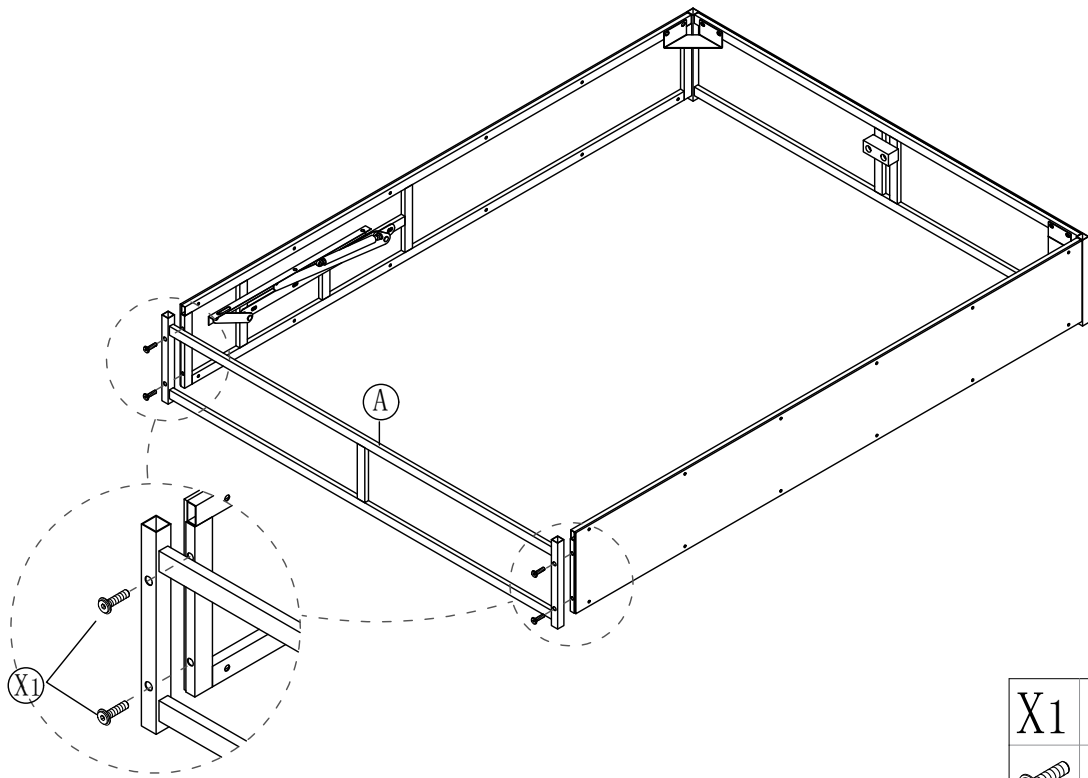
8




| | |
|---|---------|
| X5 | 8PCS |
|  | M8*16mm |

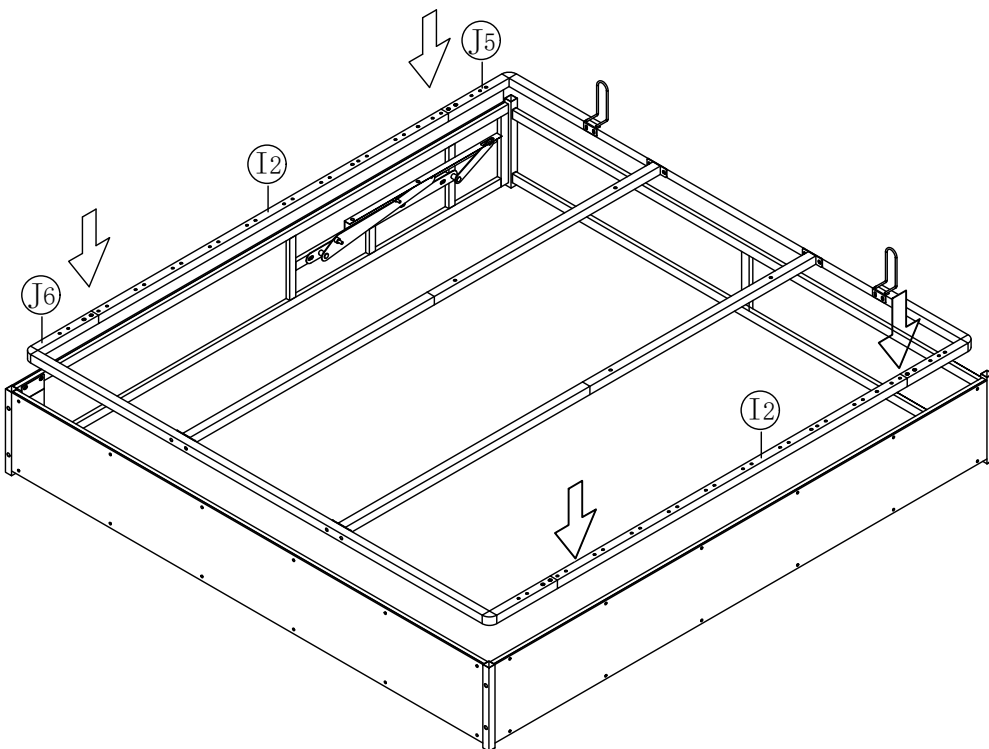
| | | |
|---|---|------|
| Q |  | 2PCS |
|---|---|------|

9

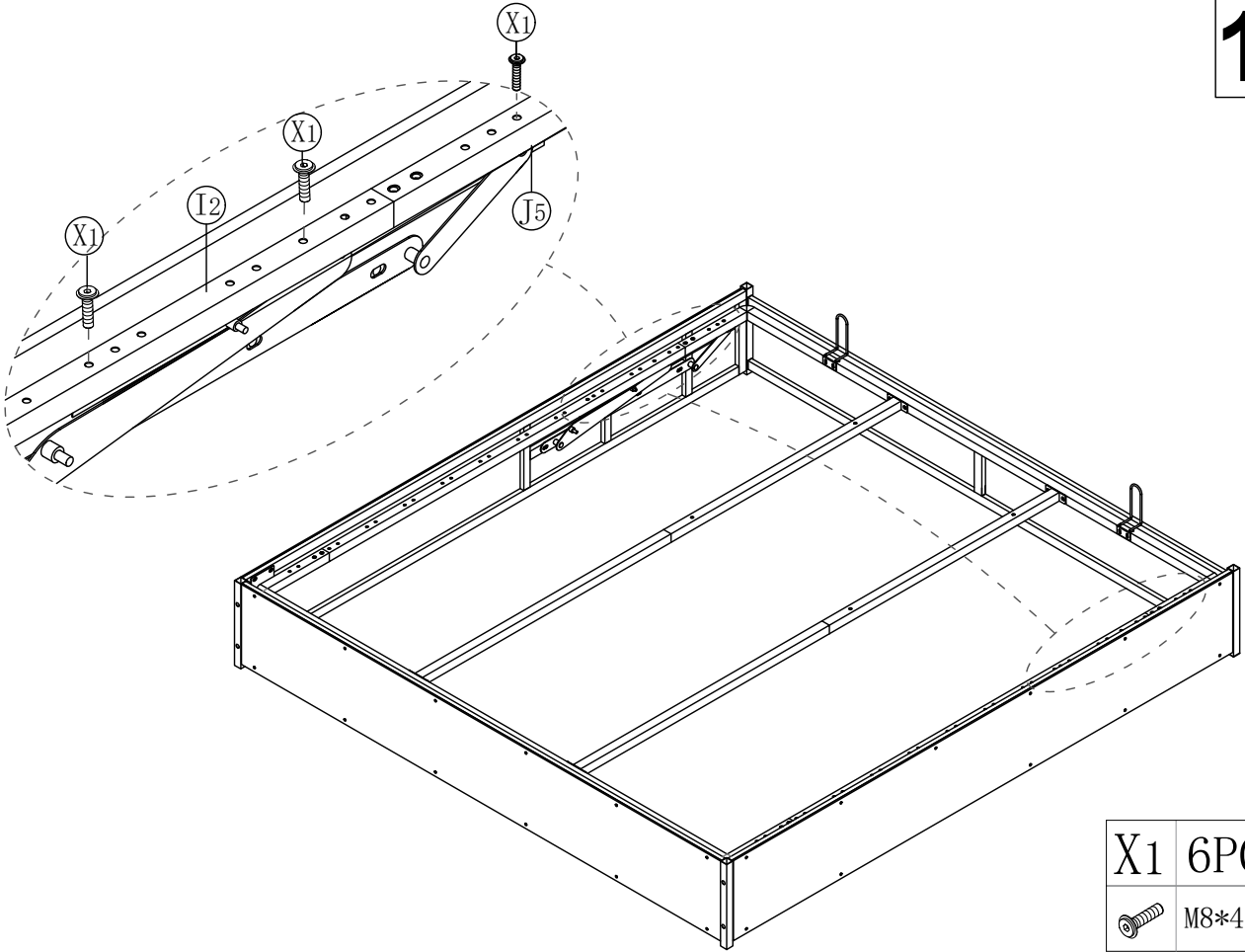



| | |
|---|---------|
| X1 | 4PCS |
|  | M8*45mm |

10

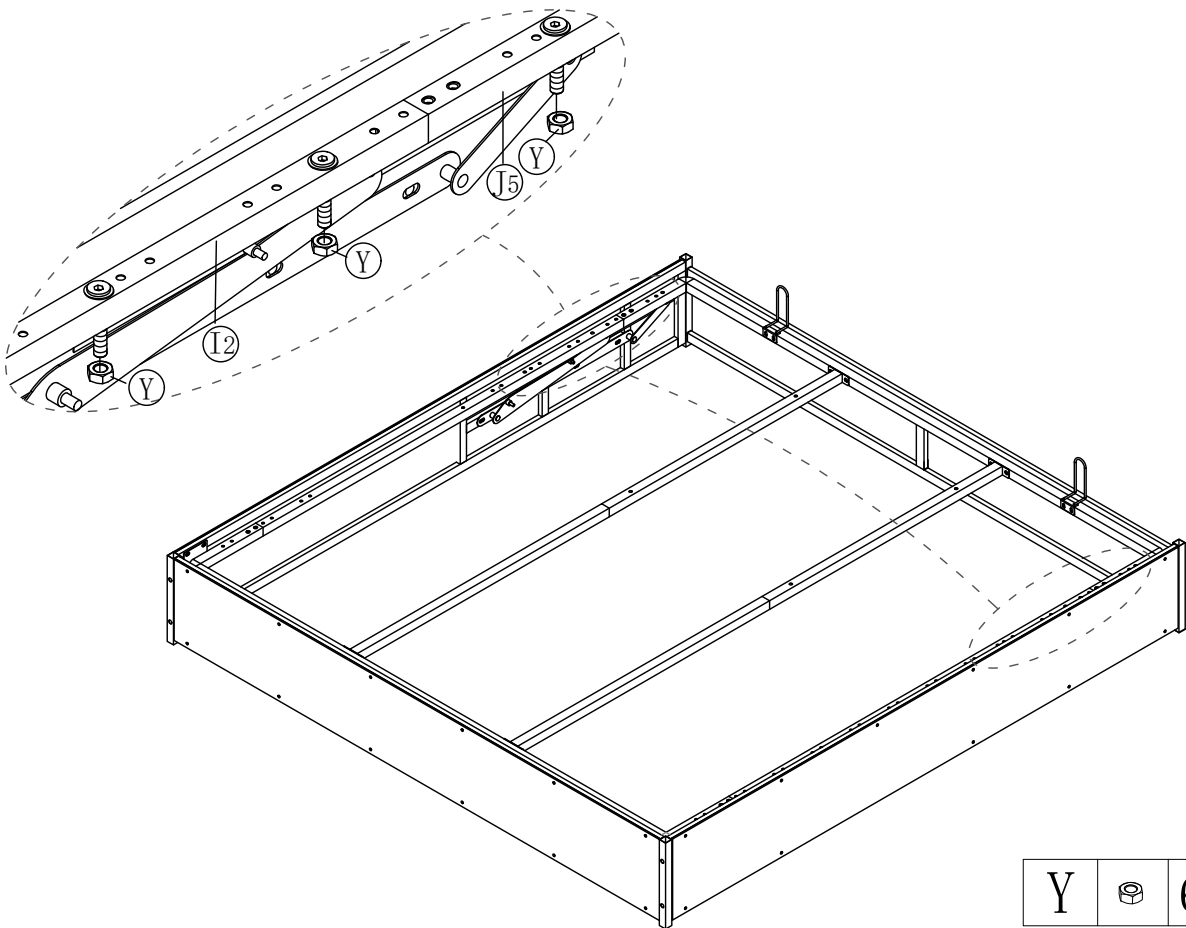



11



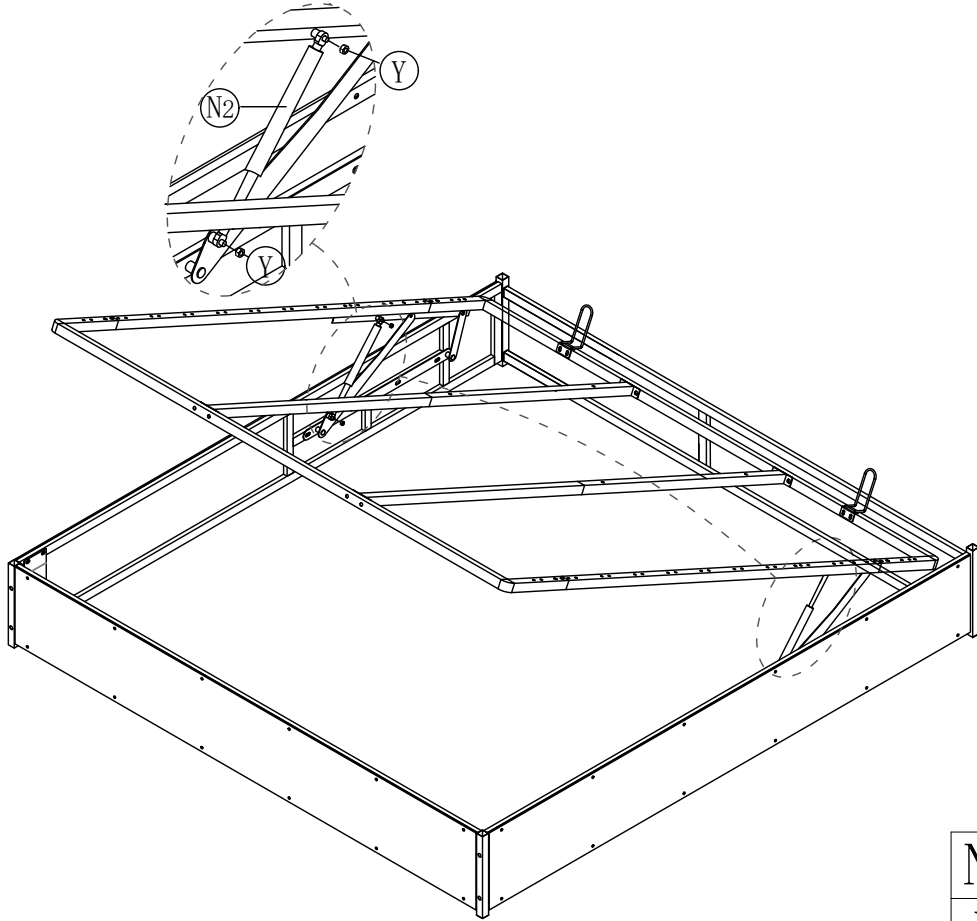
| | |
|---|---------|
| X1 | 6PCS |
|  | M8*45mm |

12





| | | |
|---|---|------|
| Y |  | 6PCS |
|---|---|------|

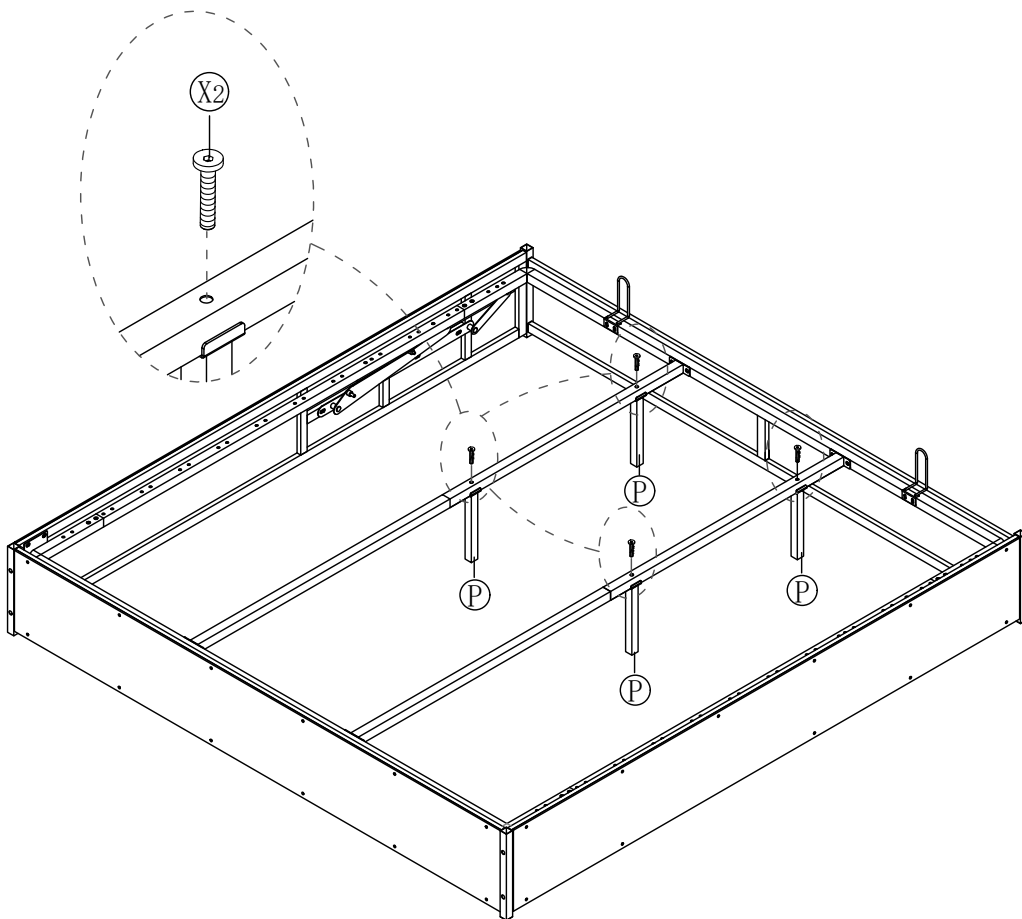
13




Lock all the screws.

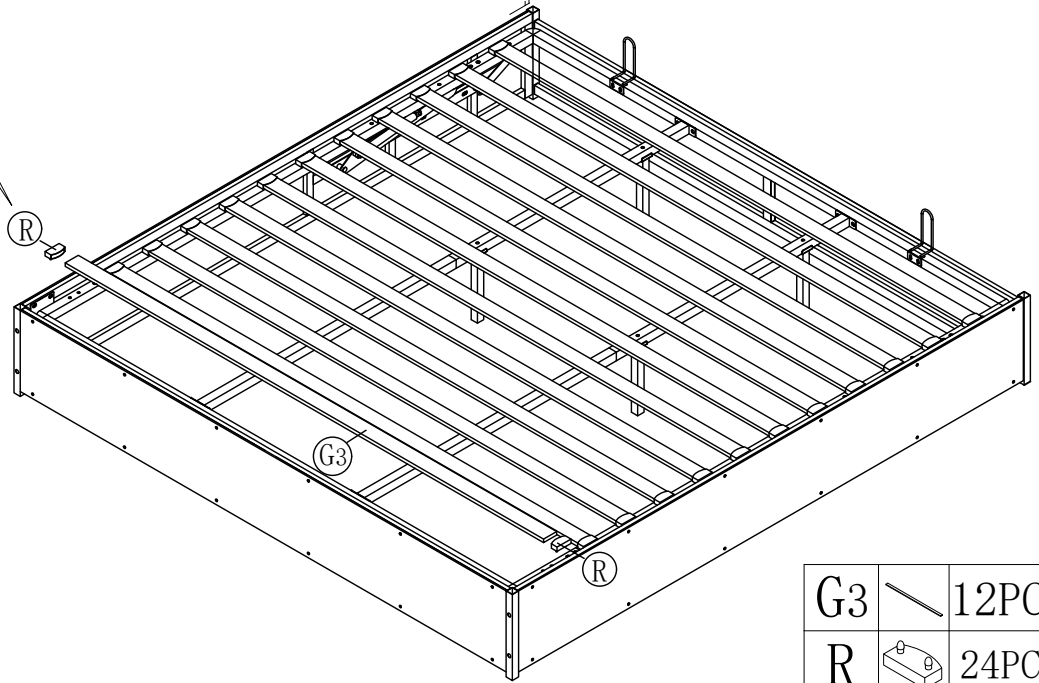
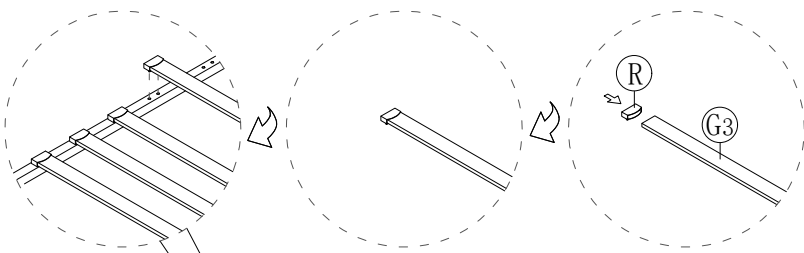
| | | |
|----|---|------|
| N2 |  | 2PCS |
| Y |  | 4PCS |

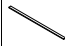

14



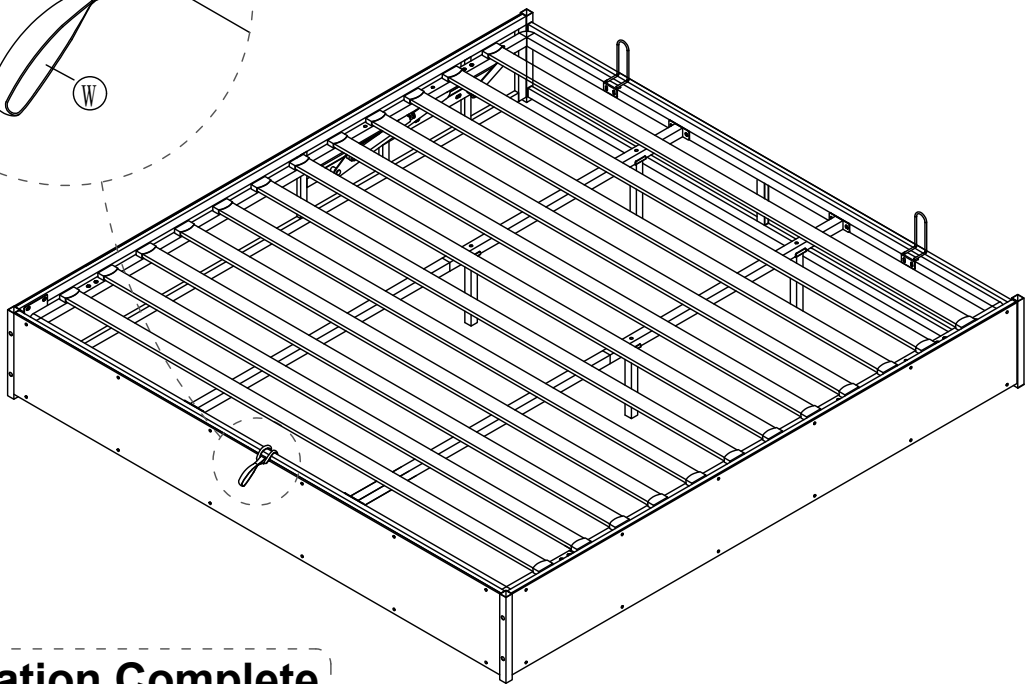
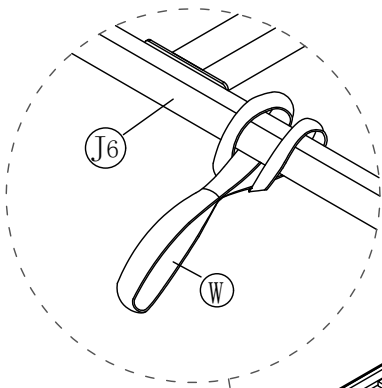
| | |
|---|---------|
| X2 | 4PCS |
|  | M8*40mm |

15



| | | |
|----|---|-------|
| G3 |  | 12PCS |
| R |  | 24PCS |

16



Installation Complete