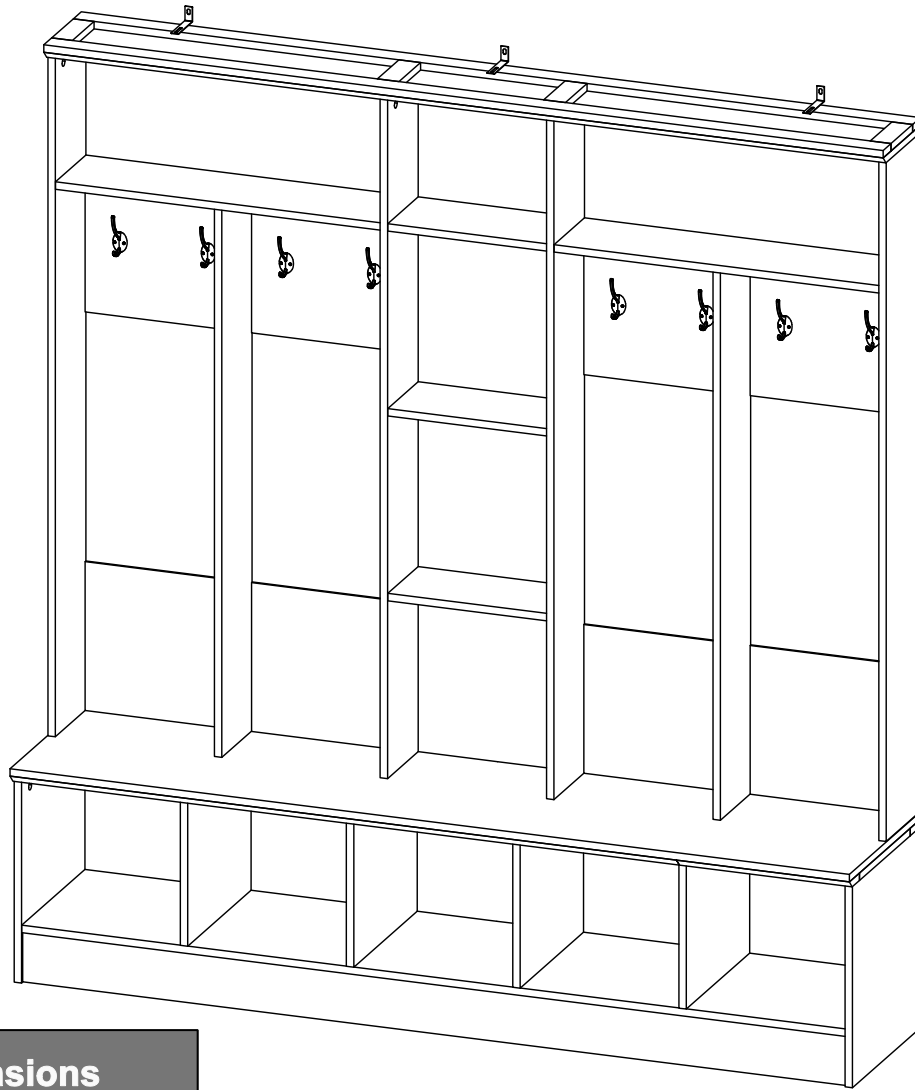


HALL TREE

Assembly Instructions - Please keep for future reference



Dimensions

Width-66.93inch

Depth-14.96inch

Height-72.05inch

Important – Please read these instructions fully before starting assembly



Safety and Care Advice

Important – Please read these instructions fully before starting assembly

- Check you have all the components and tools listed on the following pages.

- Remove all fittings from the plastic bags and separate them into their groups.

- Keep children and animals away from the work area, small parts could choke if swallowed.

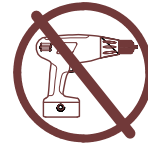
- Make sure you have enough space to layout the parts before starting.

- During assembly do not stand or put weight on the product, this could cause damage.

- Assemble the item as close to its final position (in the same room) as possible.

- Assemble on a soft level surface to avoid damaging the unit or your floor.

- Parts of the assembly will be easier with 3 people.



power drill is set on a low torque setting.

- To reduce the likelihood of damaging your product please ensure that your

Care and maintenance

- Only clean using a damp cloth and mild detergent, do not use bleach or abrasive cleaners.

- From time to time check that there are no loose screws on this unit.

- This product should not be discarded with household waste. Take to your local authority waste disposal centre.

Handy Hints

- Assemble all parts and bolts loosely during assembly, only once the product is complete should you fully tighten the bolts

- Regularly check and ensure That all bolts and fittings are tightend properly.

WARNING
In order to help prevent overturning – please follow these instructions


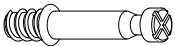

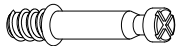




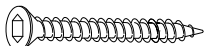
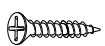


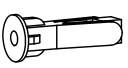
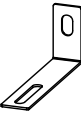
To help prevent product toppling over please follow the below steps:-

Use the anti tip stap or wall fixing method provided (if applicable)
Do not allow children to climb or hang on the furniture
Do not open more than one drawer at a time
Do not place heavy items in the top drawers
Do not place heavy items on top of the furniture, unless the furniture has been designed for this purpose

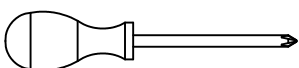
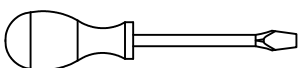
Components - Fittings

Please check you have all the panels listed below

Note: The quantities below are the correct amount to complete the assembly. In some cases more fittings may be supplied than are required.

<p>A1</p>  <p>15*12mm Cam lock x 55 + 2</p>	<p>A2</p>  <p>24*8mm Cam bolt x 55 + 2</p>	<p>B1</p>  <p>15*10mm Cam lock x 16 + 2</p>	<p>B2</p>  <p>24*6mm Cam bolt x 16 + 2</p>
<p>C</p>  <p>8*30mm Dowel x 74 + 2</p>	<p>D</p>  <p>6*30mm Dowel x 48 + 2</p>	<p>E</p>  <p>15mm Sticker x 71 + 2</p>	<p>F</p>  <p>Allen key x 1</p>
<p>G</p>  <p>6*50mm Screw x 20 + 2</p>	<p>H</p>  <p>3.5*16mm Screw x 19 + 2</p>	<p>I</p>  <p>4*38mm Screw x 3 + 2</p>	<p>J</p>  <p>Hook JD 7500 x 8</p>
<p>K</p>  <p>Wall plug x 3</p>	<p>L</p>  <p>L Bracket Mounting x 3</p>		

Tools required

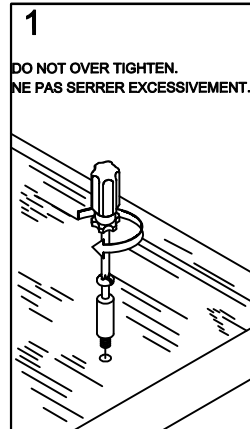


Philips screwdriver
(medium & large)

Using Camlocks

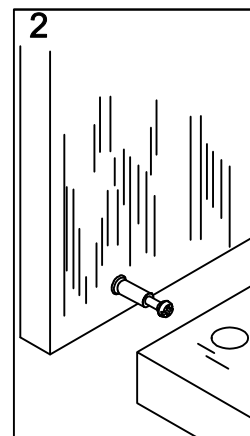
Step 1

Connect the male camlock as directed in the assembly instructions using a screwdriver.



Step 2

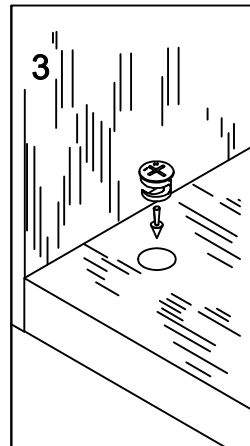
Push the male camlock into the entry hole.



Step 3

Insert the female camlock as shown in the instruction.

Note: ensure that the arrow on the top of the camlock points towards the entry hole for the male camlock.

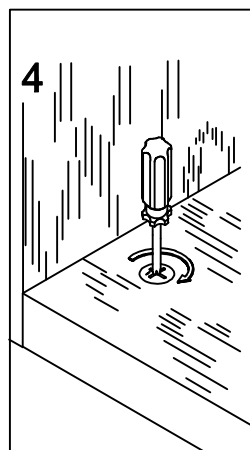


Step 4

Turn the female camlock clockwise with a screwdriver.

You should feel a click when the camlock is locked in place.

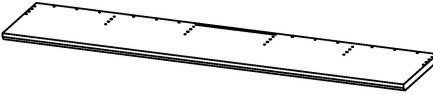


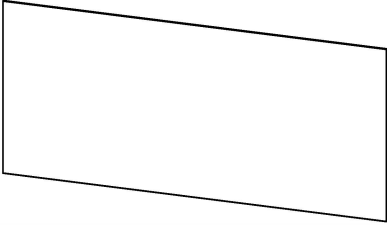


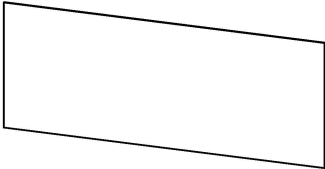
The joint is now secure.



Components - Parts


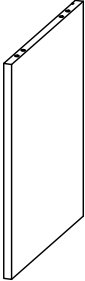
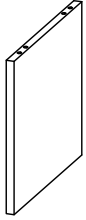

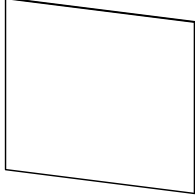






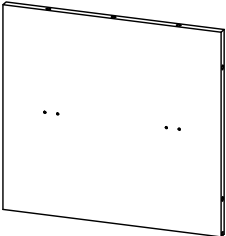
Please check you have all the panels listed below.

Box A

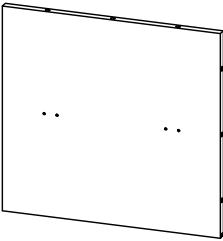
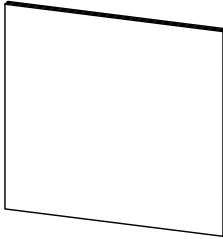
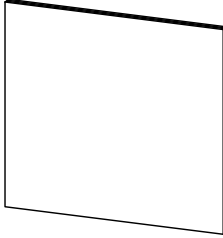

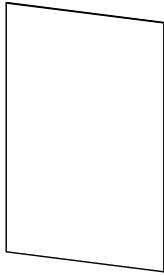
<p>①</p> 	<p>②</p> 	<p>⑦</p> 
<p>Top Panel 1700*380*30 1 PC</p>	<p>Bottom Panel 1668*359*15 1 PC</p>	<p>Cabinet Leg 1668*100*15 1 PC</p>
<p>⑧</p> 	<p>⑩</p> 	<p>⑫</p> 
<p>Back Panel (1) 664*295*2.5 2 PCS</p>	<p>Up Top Panel 1700*200*30 1 PC</p>	<p>Up Side Panel (R) 1365*180*15 1 PC</p>
<p>⑬</p> 		
<p>Back Panel (L&R) 664*256*2.5 2 PCS</p>		

Components - Parts

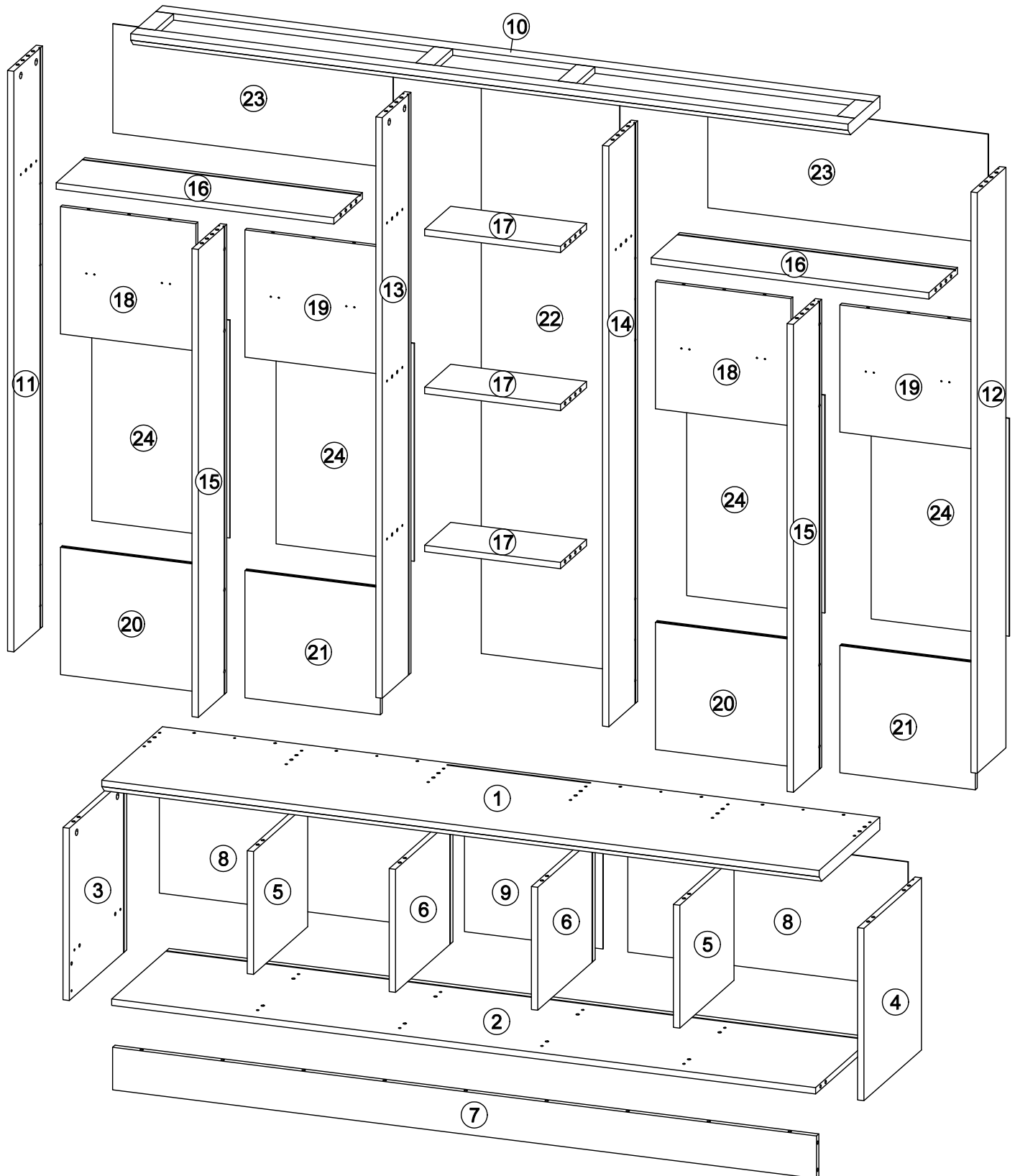
Box B

		
<p>③ Side Panel (L) 405*360*15 1 PC</p>	<p>④ Side Panel (R) 405*360*15 1 PC</p>	<p>⑤ Center Panel (1) 289*340*15 2 PCS</p>
		
<p>⑥ Center Panel (2) 289*360*15 2 PCS</p>	<p>⑨ Back Panel (2) 328*295*2.5 1 PC</p>	<p>⑪ Up Side Panel (L) 1365*180*15 1 PC</p>
		
<p>⑬ Up Center Panel (1) 1365*180*15 1 PC</p>	<p>⑭ Up Center Panel (2) 1365*180*15 1 PC</p>	<p>⑮ Up Center Panel (3) 1100*178*15 2 PCS</p>
		
<p>⑯ Up Middle Panel 658*179*15 2 PCS</p>	<p>⑰ Up Middle Panel (Center) 322*163*15 3 PCS</p>	<p>⑱ Back Support (L1) 299*321*12 2 PCS</p>

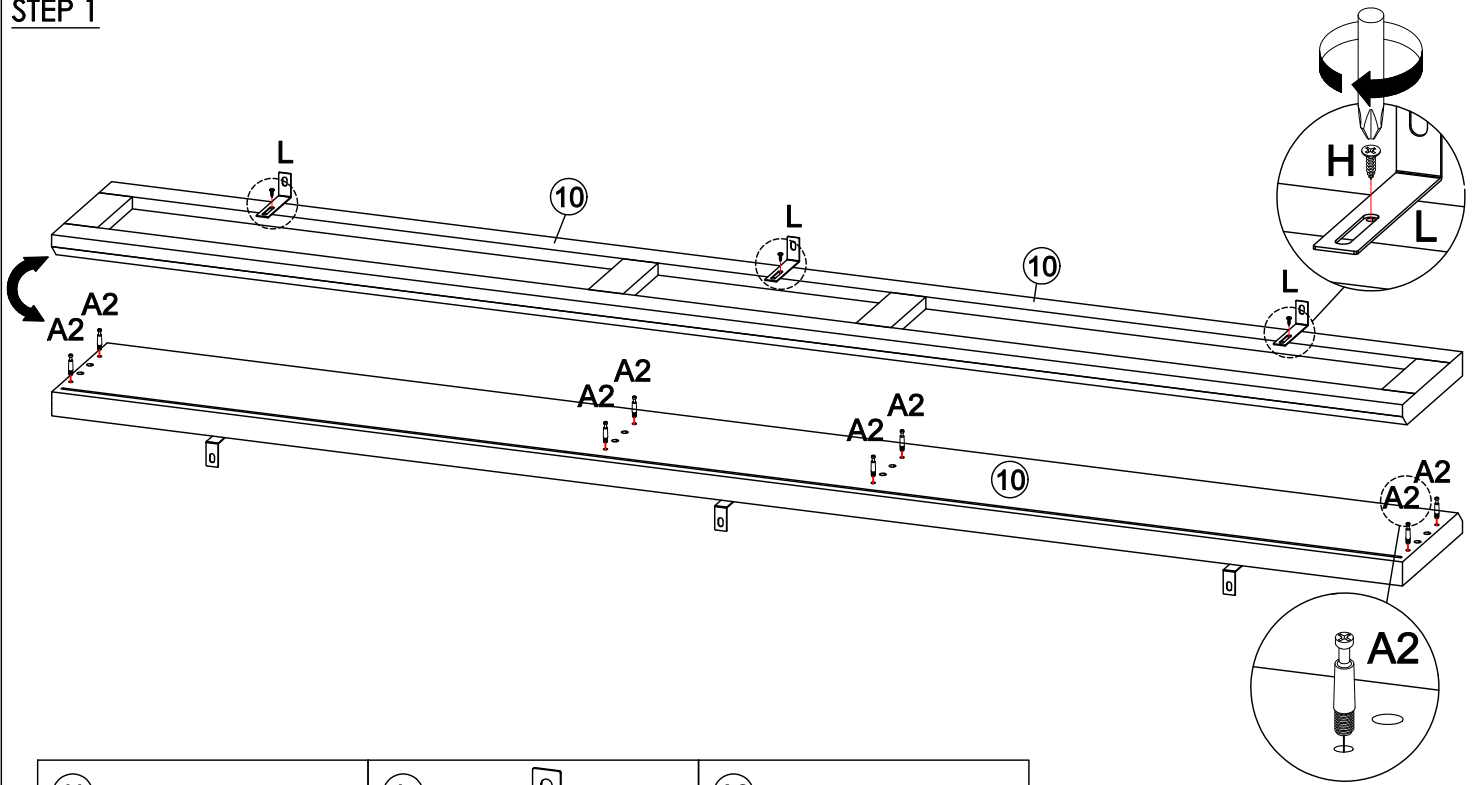
Components - Parts

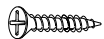
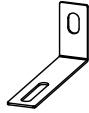
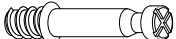
<p>①⑨</p> 	<p>②⑩</p> 	<p>②①</p> 
<p>Back Support (R1) 299*321*12 2 PCS</p>	<p>Back Support (L2) 299*321*12 2 PCS</p>	<p>Back Support (R2) 299*321*12 2 PCS</p>
<p>②②</p> 	<p>②④</p> 	
<p>Back Panel (Center) 1371*328*2.5 1 PC</p>	<p>Back Panel (Door) 512*327*2.5 4 PC</p>	

Assembly Instructions

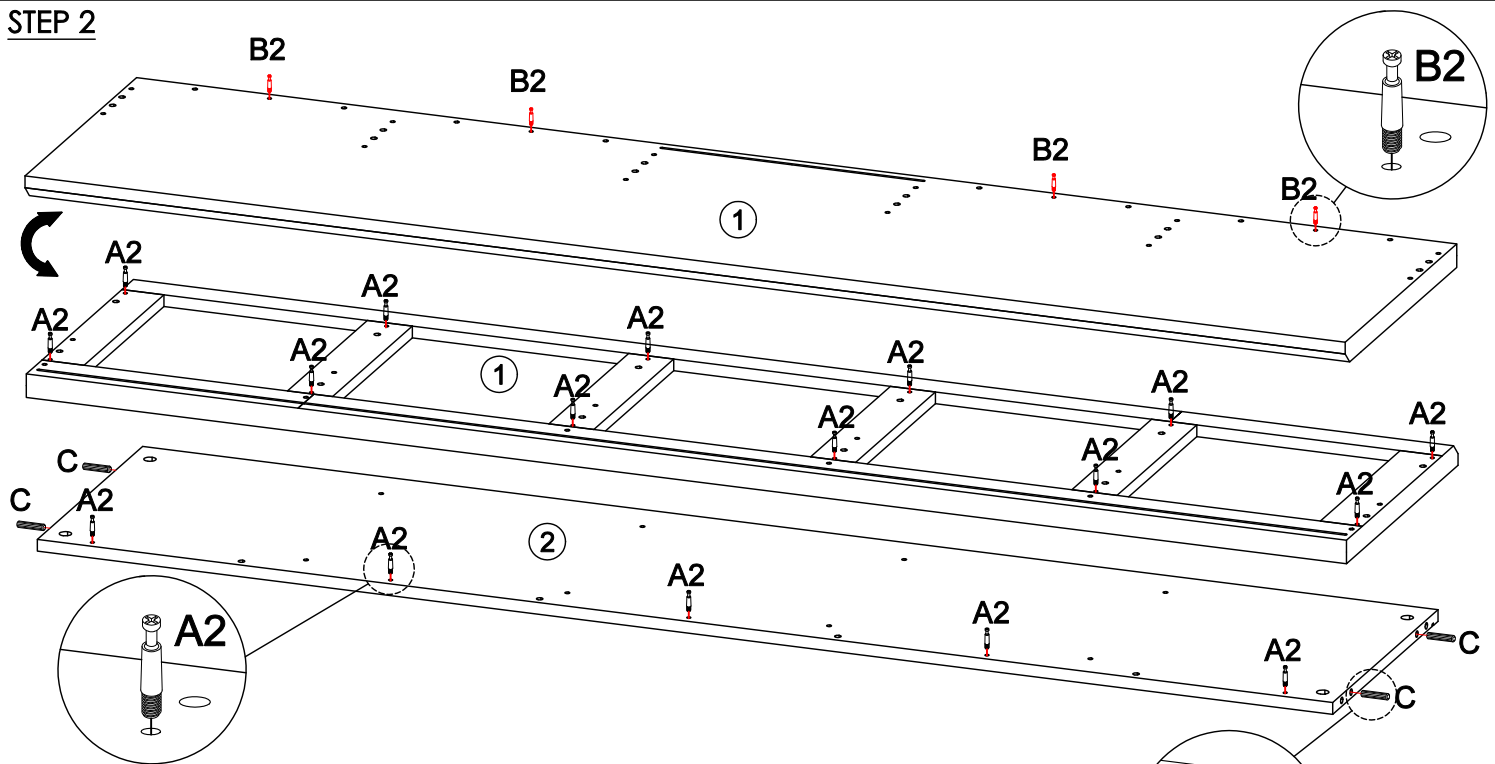



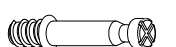
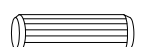
STEP 1



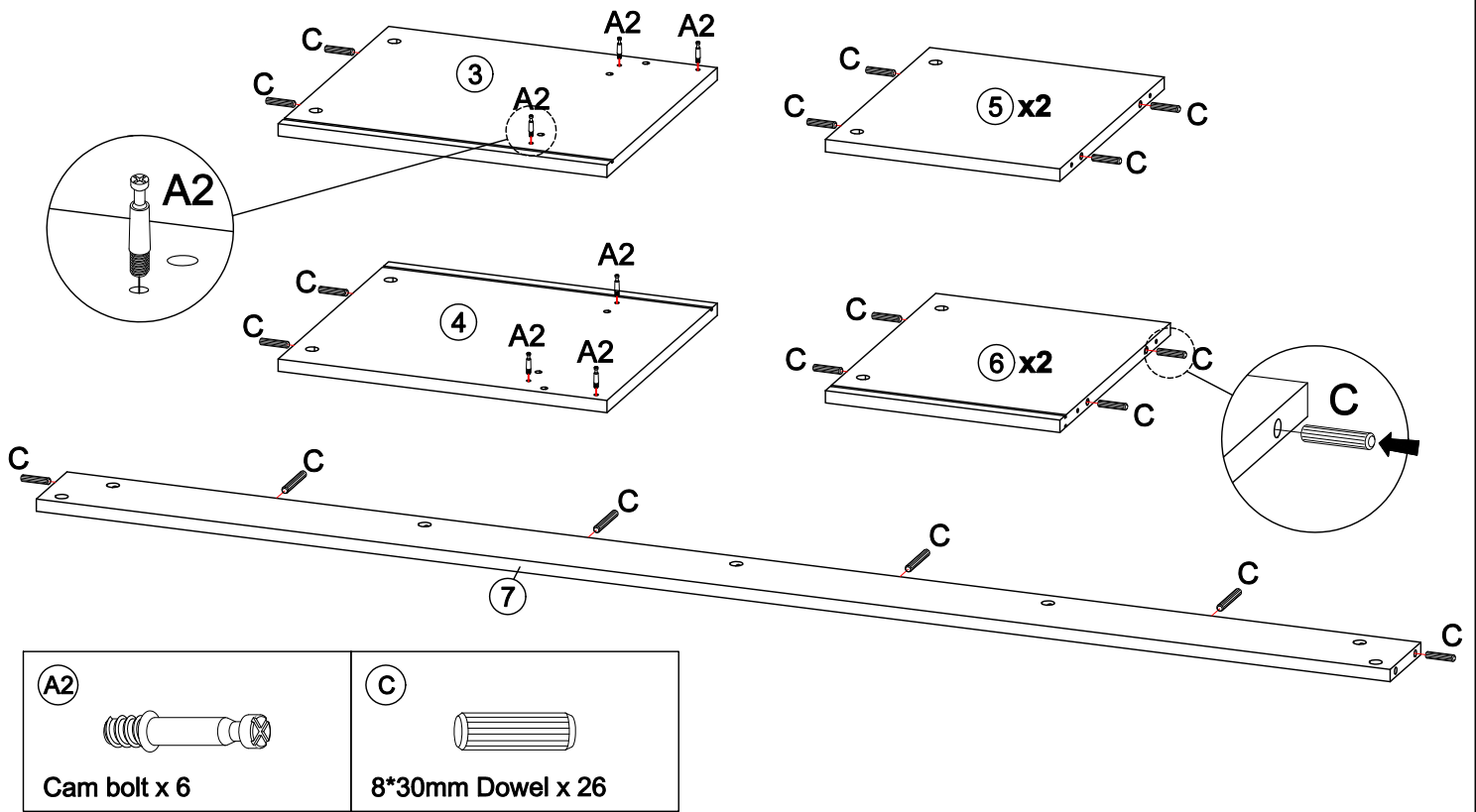
<p>(H) </p> <p>3.5*16mm Screw x 3</p>	<p>(L) </p> <p>L Bracket Mounting x 3</p>	<p>(A2) </p> <p>Cam bolt x 8</p>
---	---	--

STEP 2

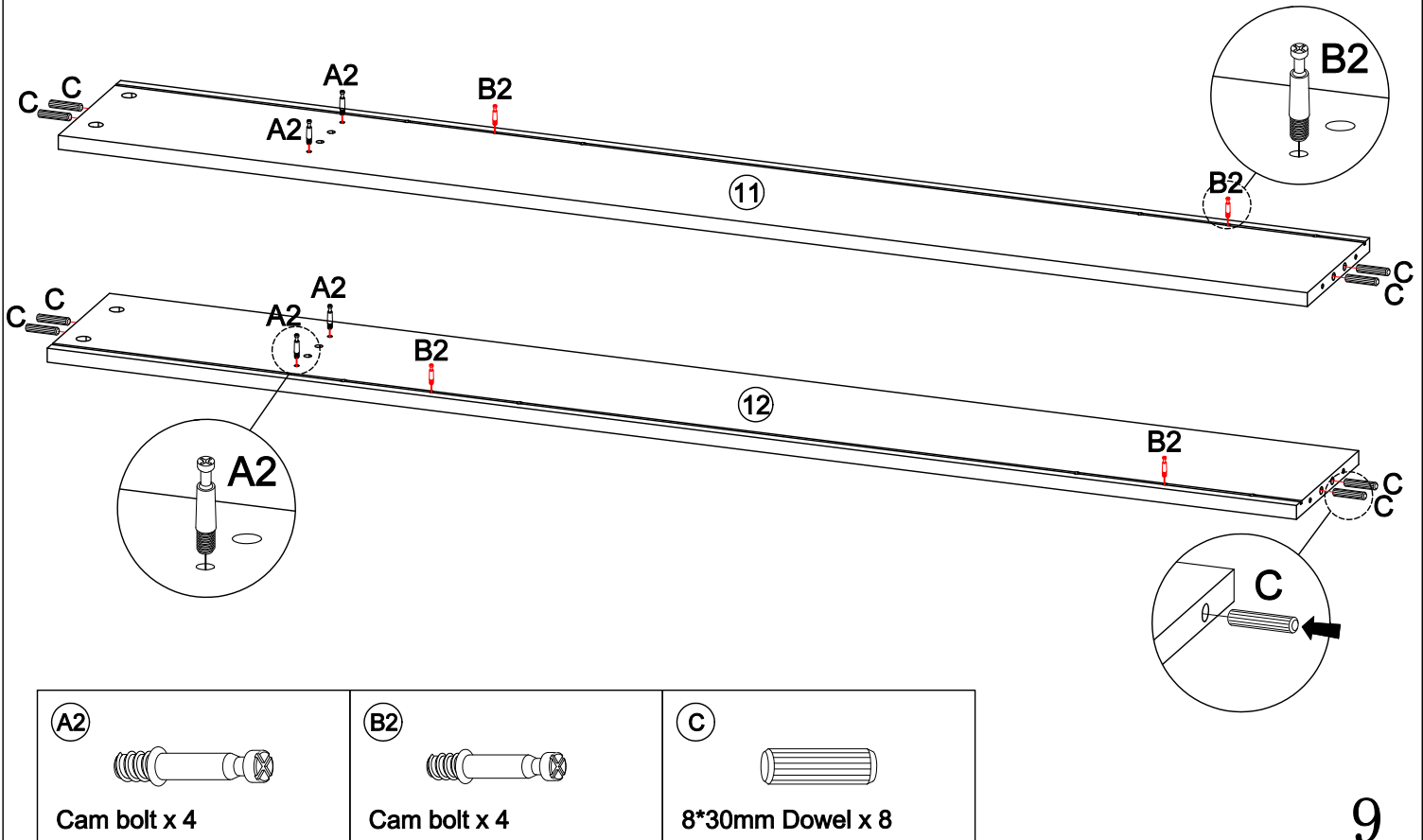


<p>(A2) </p> <p>Cam bolt x 17</p>	<p>(B2) </p> <p>Cam bolt x 4</p>	<p>(C) </p> <p>8*30mm Dowel x 4</p>
--	---	--

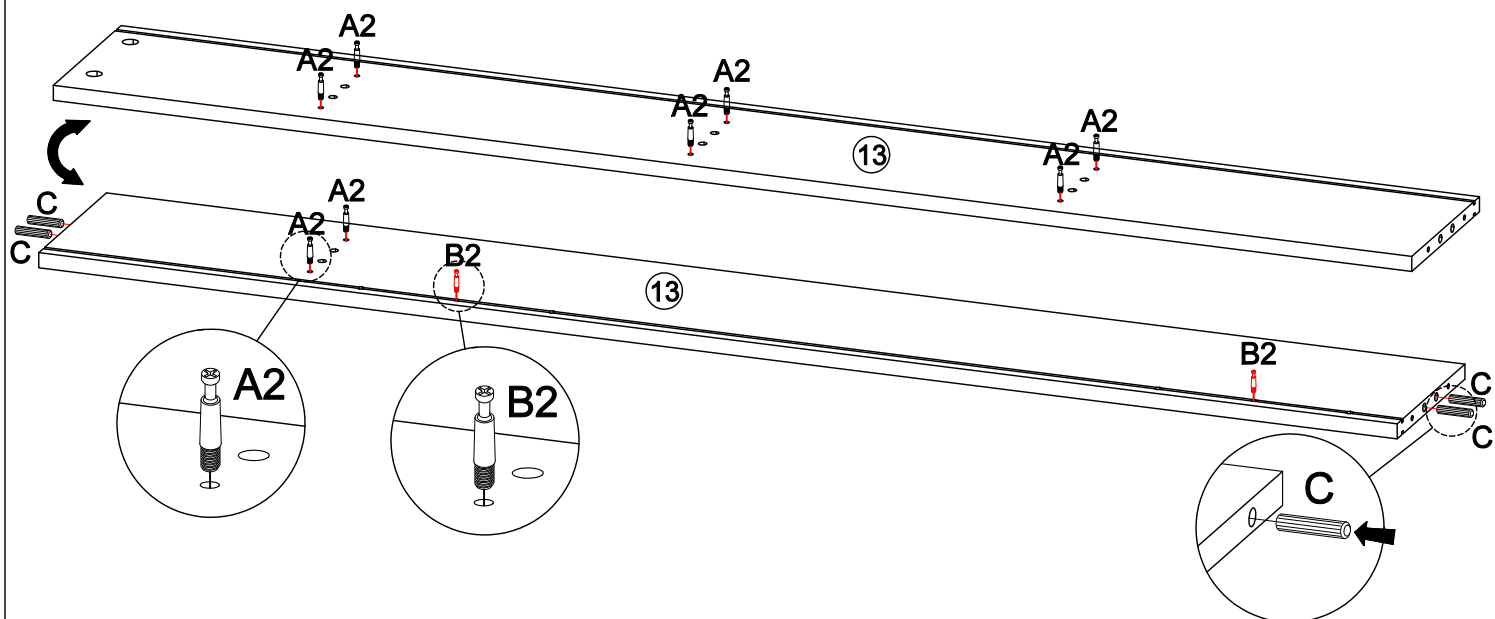
STEP 3

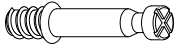
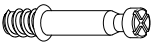



STEP 4

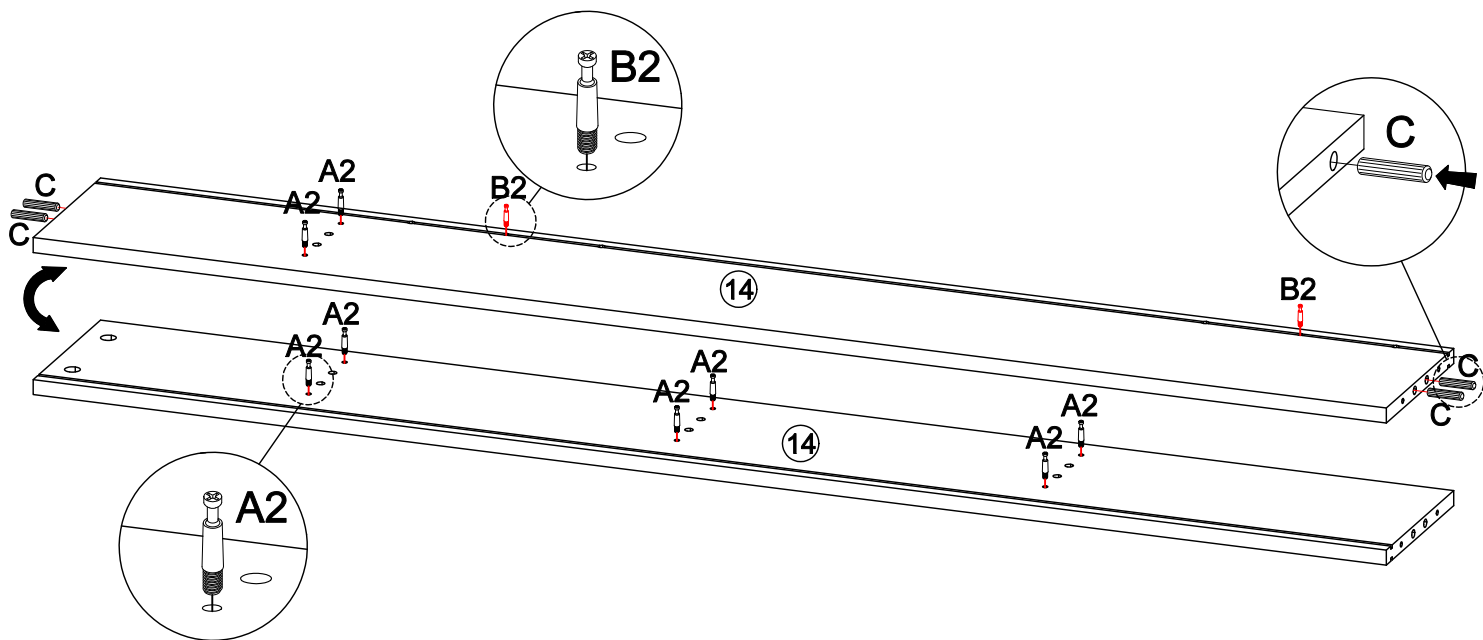


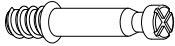
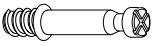

STEP 5



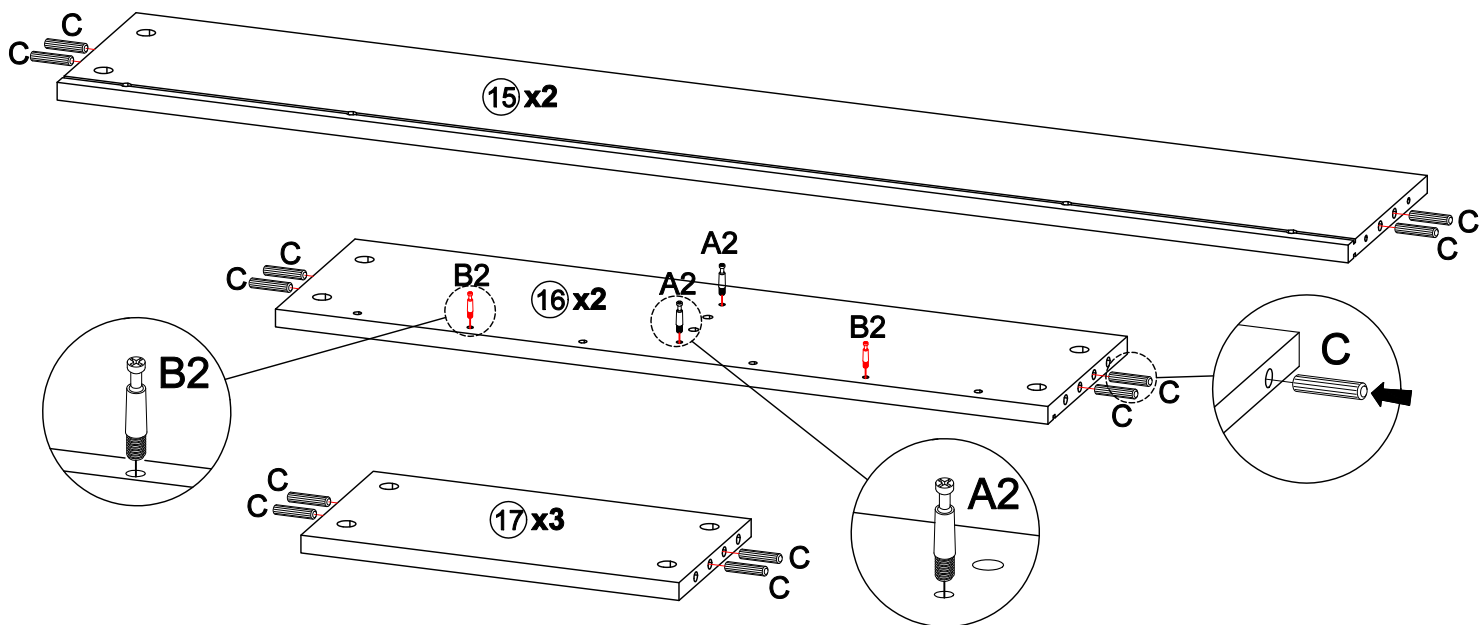
<p>A2</p>  <p>Cam bolt x 8</p>	<p>B2</p>  <p>Cam bolt x 2</p>	<p>C</p>  <p>8*30mm Dowel x 4</p>
---	---	--

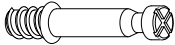
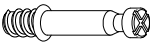

STEP 6

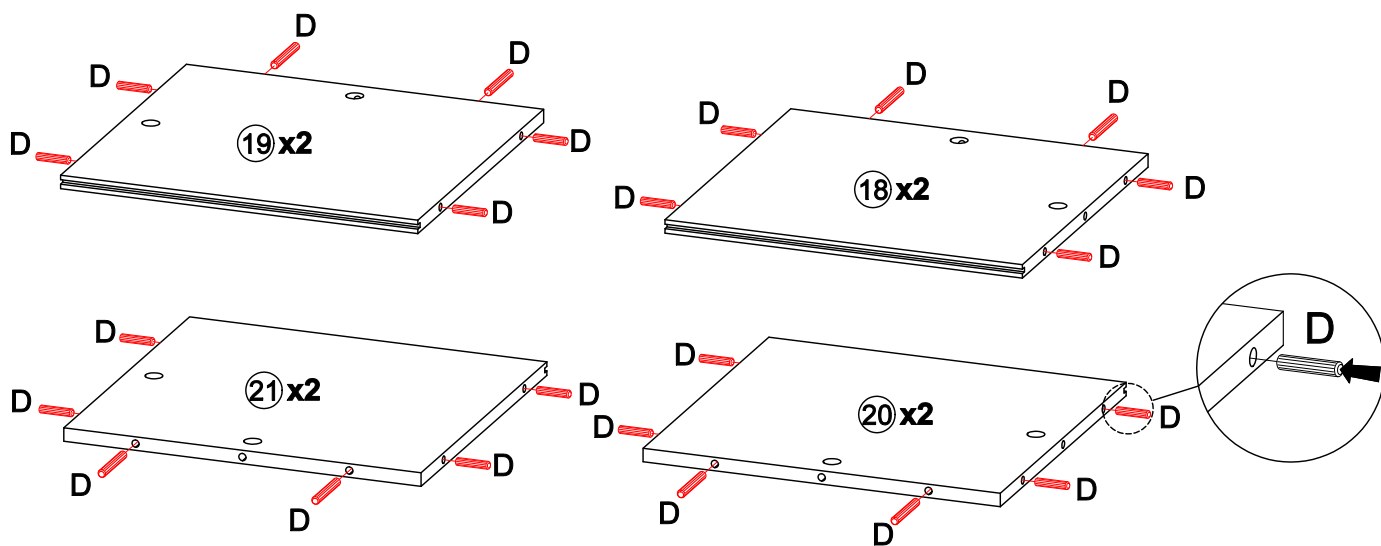



<p>A2</p>  <p>Cam bolt x 8</p>	<p>B2</p>  <p>Cam bolt x 2</p>	<p>C</p>  <p>8*30mm Dowel x 4</p>
--	--	---

STEP 7

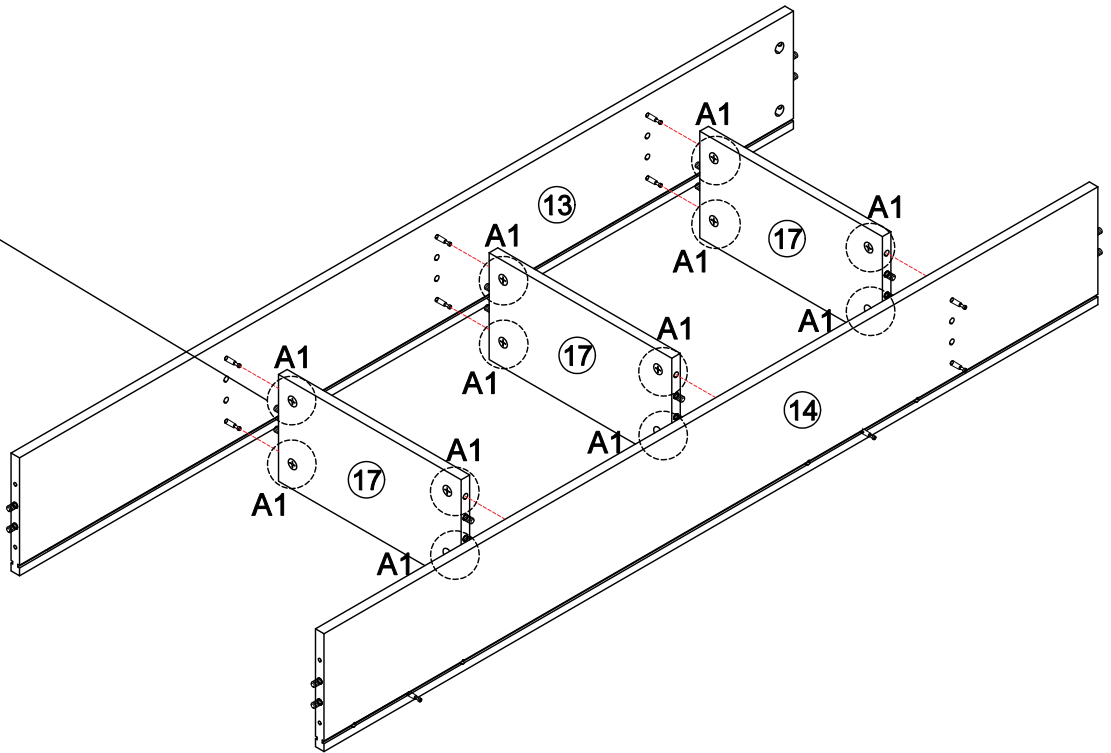
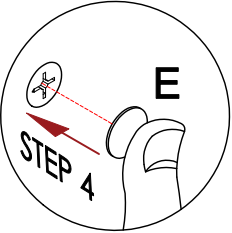
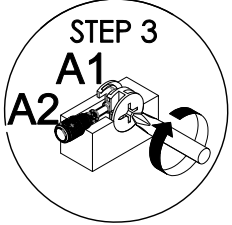
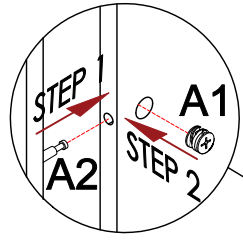


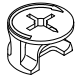

<p>A2</p>  <p>Cam bolt x 4</p>	<p>B2</p>  <p>Cam bolt x 4</p>	<p>C</p>  <p>8*30mm Dowel x 28</p>
---	---	---



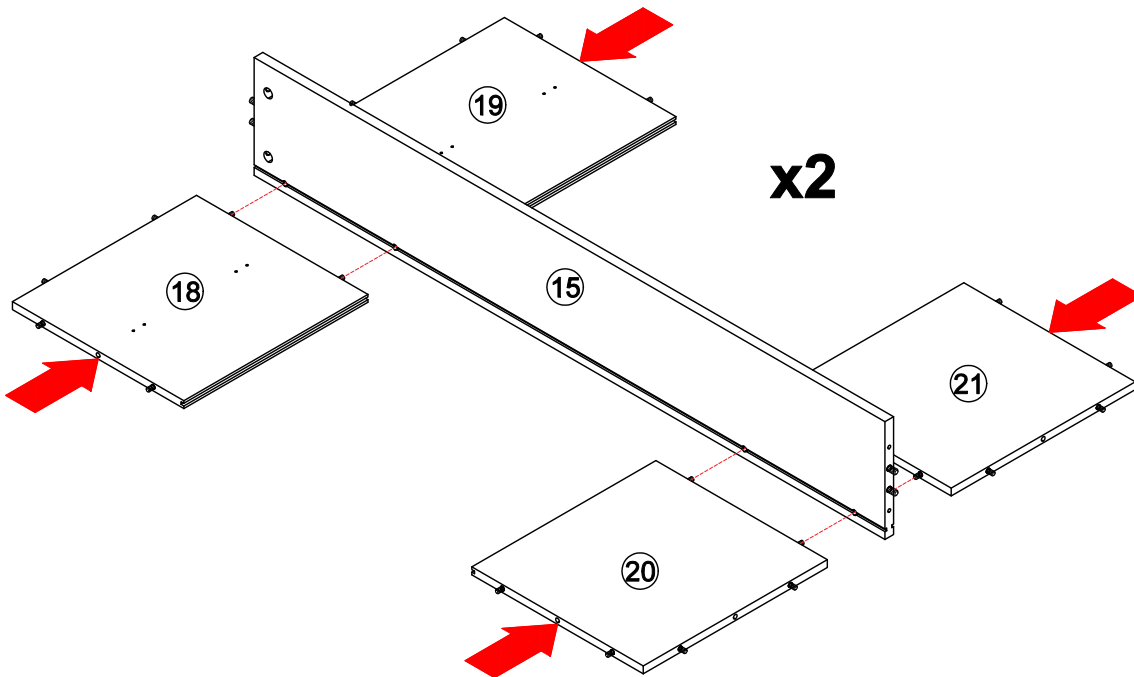
<p>D</p>  <p>6*30mm Dowel x 48</p>
--

STEP 9

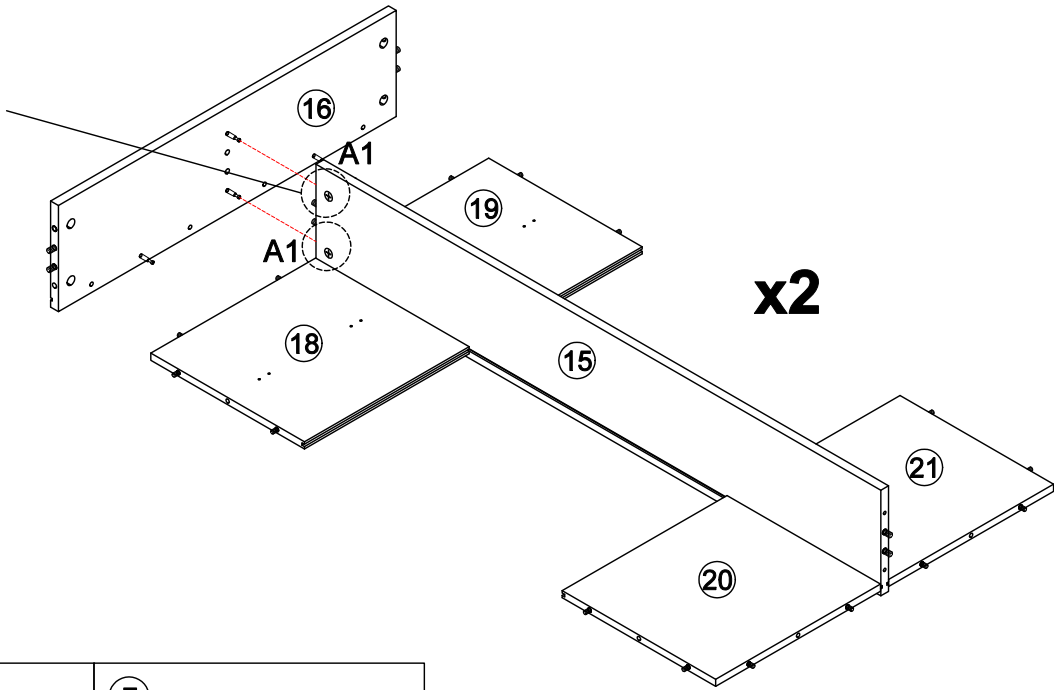
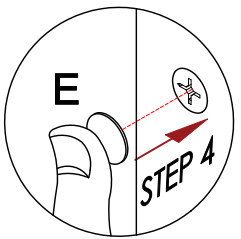
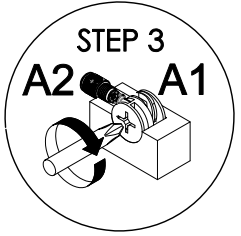
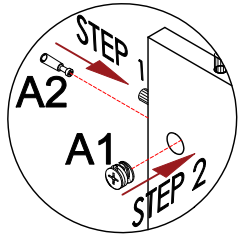




<p>(A1)</p>  <p>Cam lock x 12</p>	<p>(E)</p>  <p>15mm Sticker x 12</p>
---	--

STEP 10

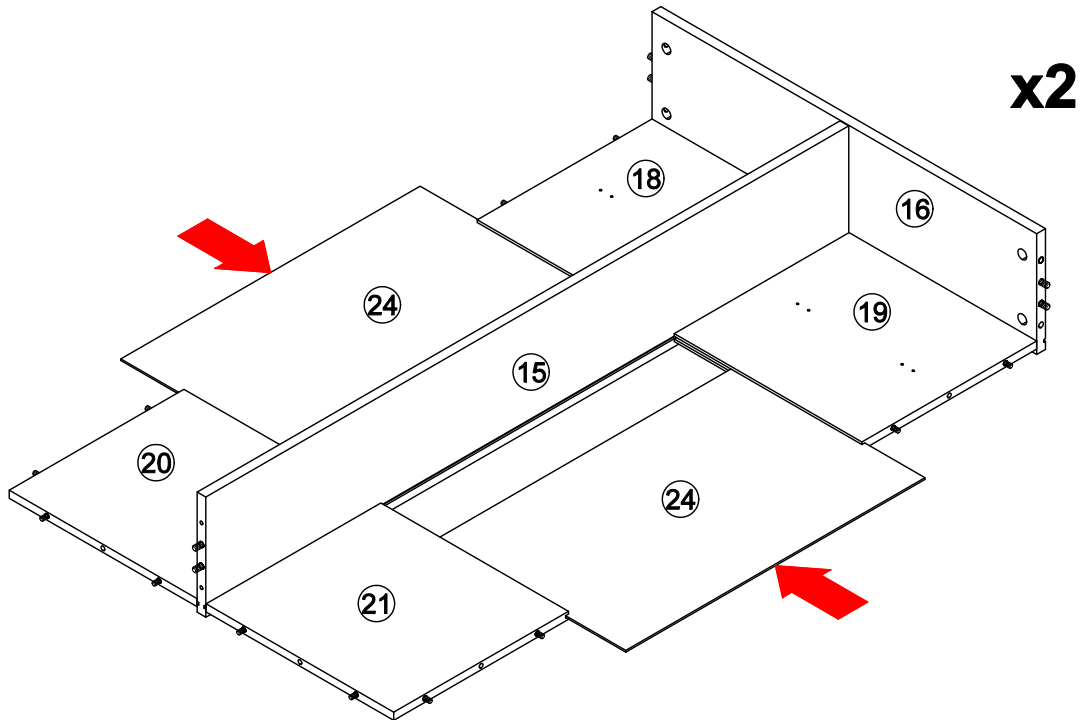


STEP 11

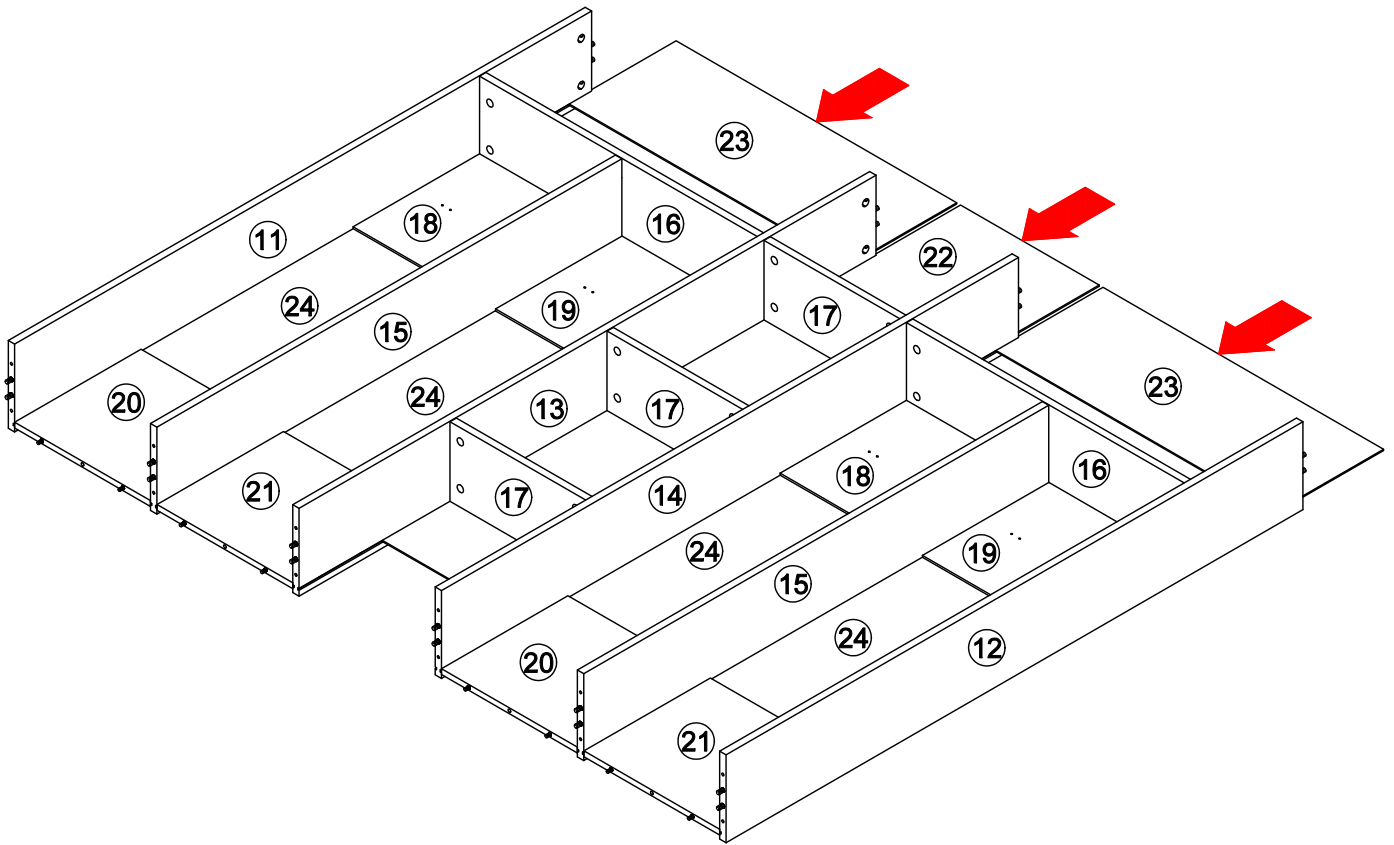


<p>(A1)</p>  <p>Cam lock x 4</p>	<p>(E)</p>  <p>15mm Sticker x 4</p>
--	---

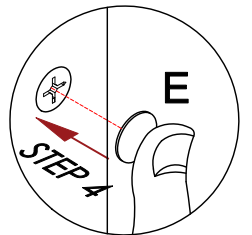
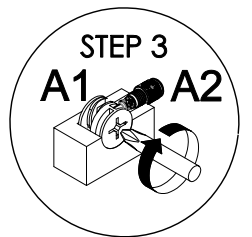
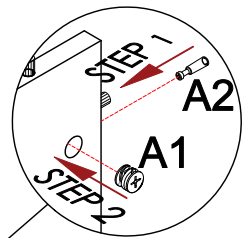
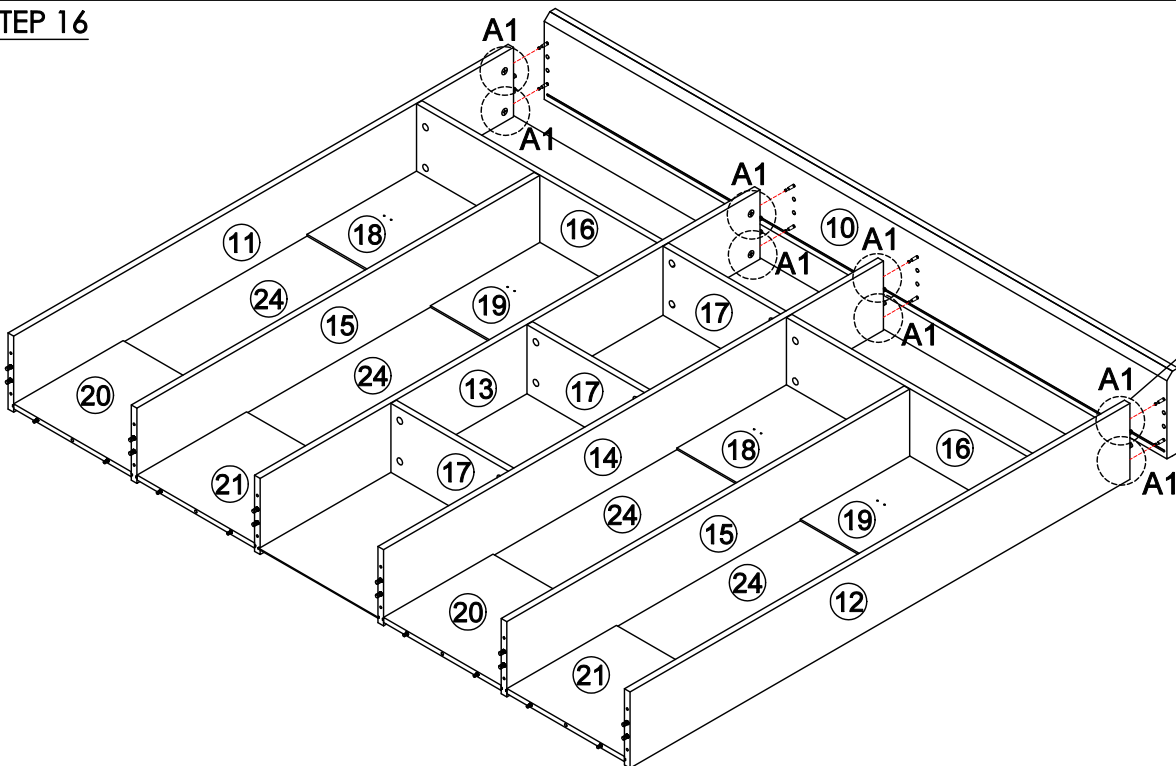
STEP 82

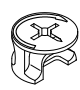



STEP 15

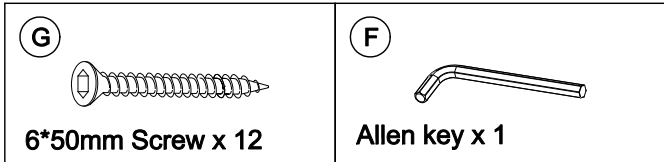
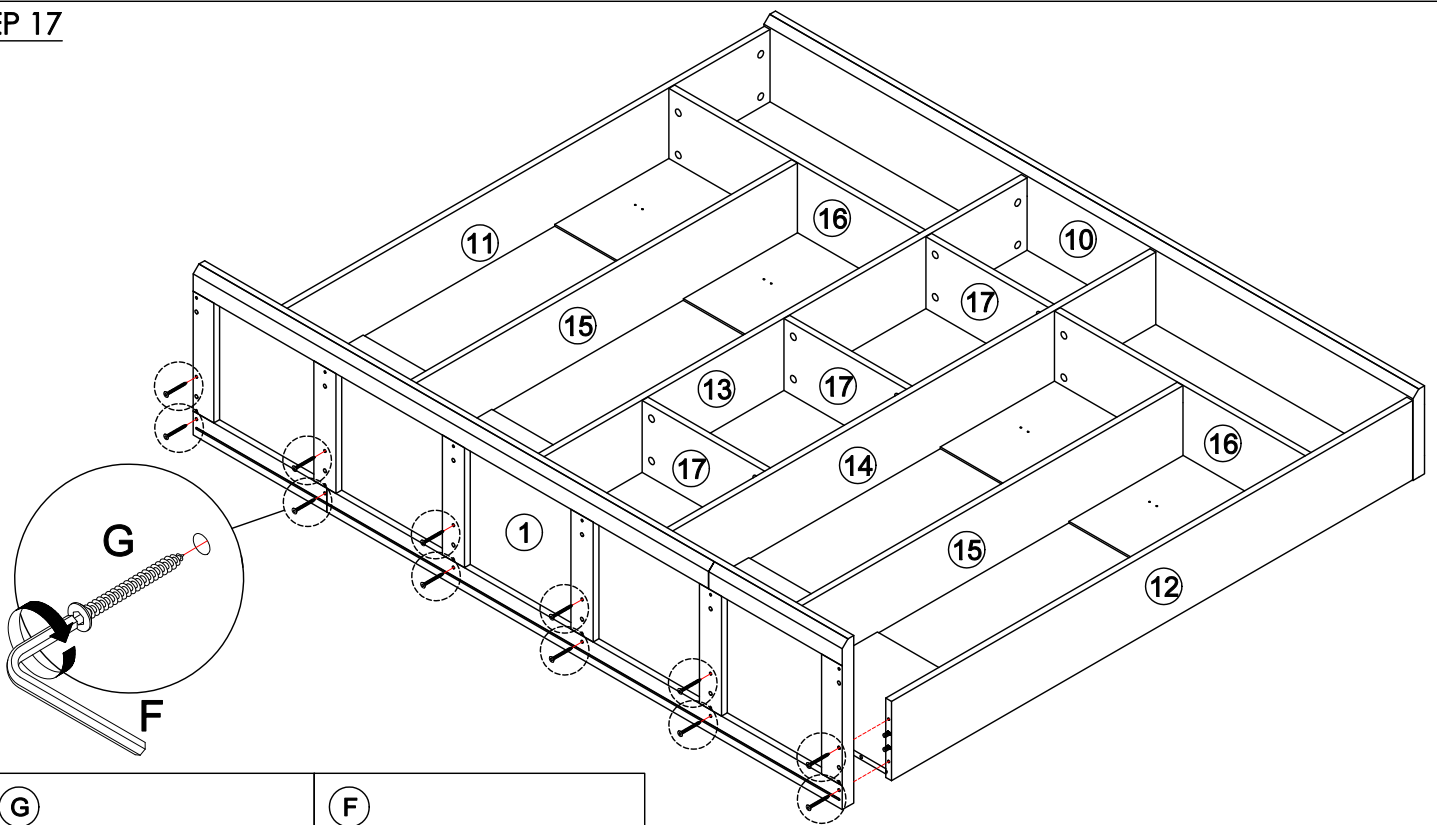


STEP 16

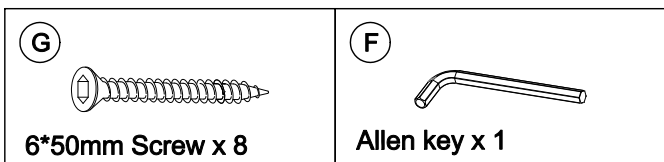
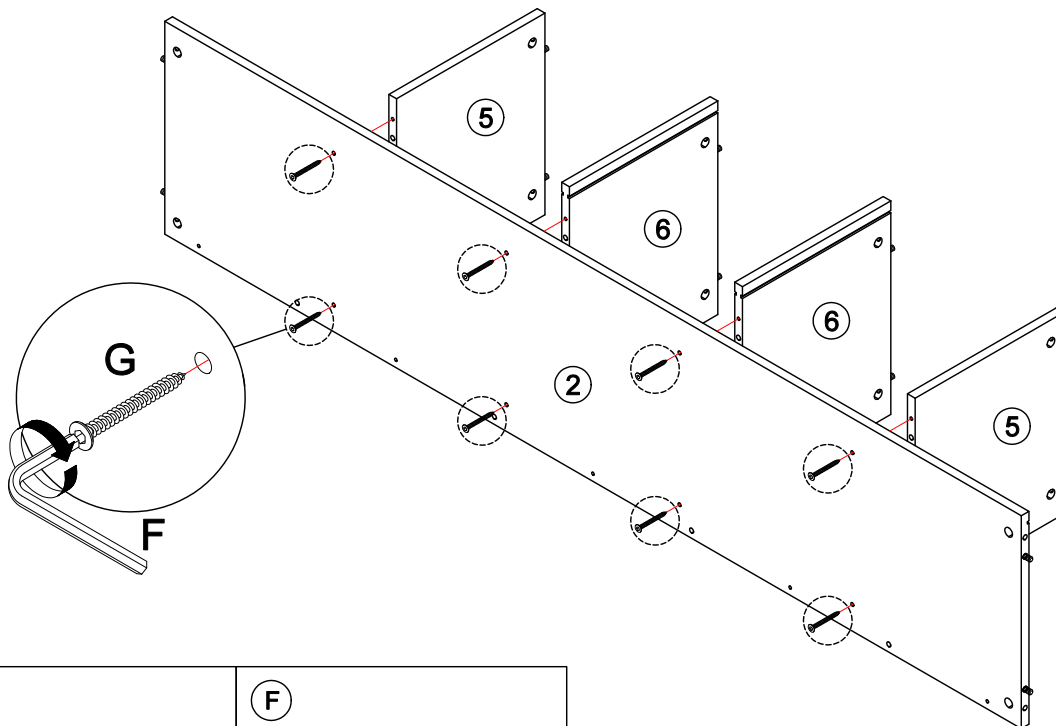


<p>(A1)</p>  <p>Cam lock x 8</p>	<p>(E)</p>  <p>15mm Sticker x 8</p>
---	--

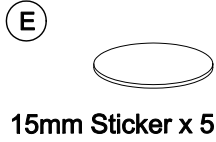
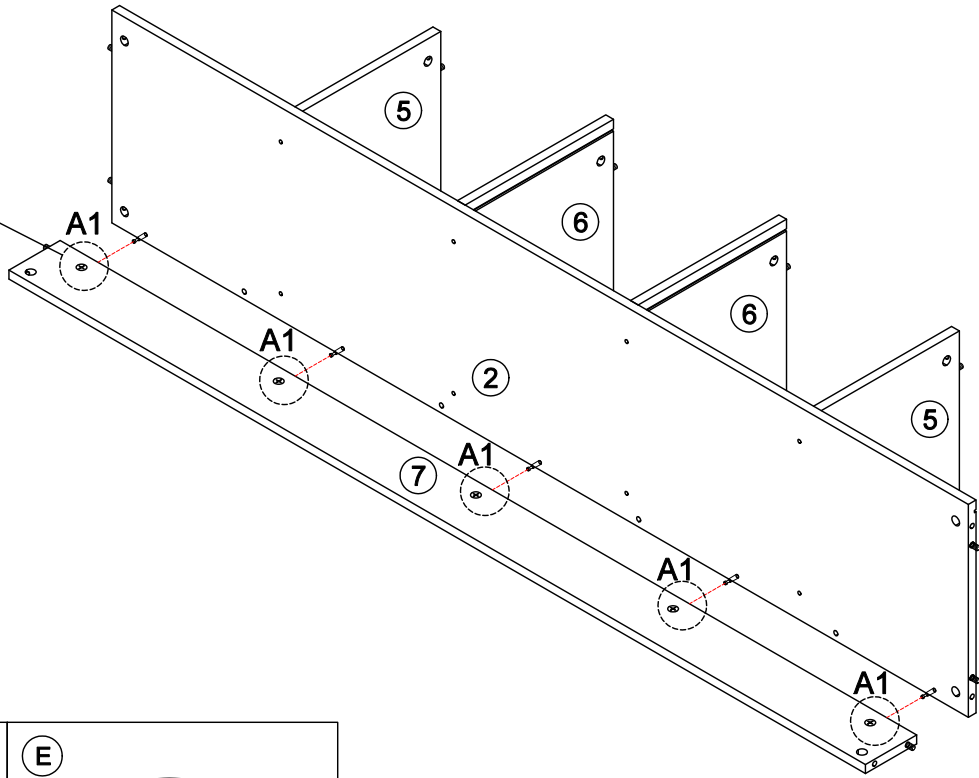
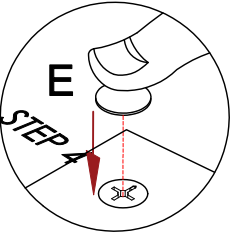
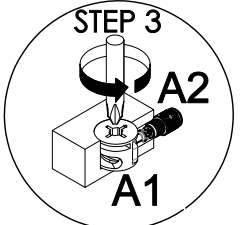
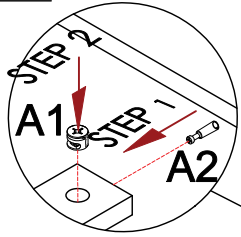
STEP 17



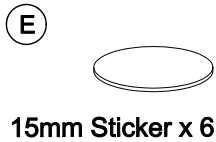
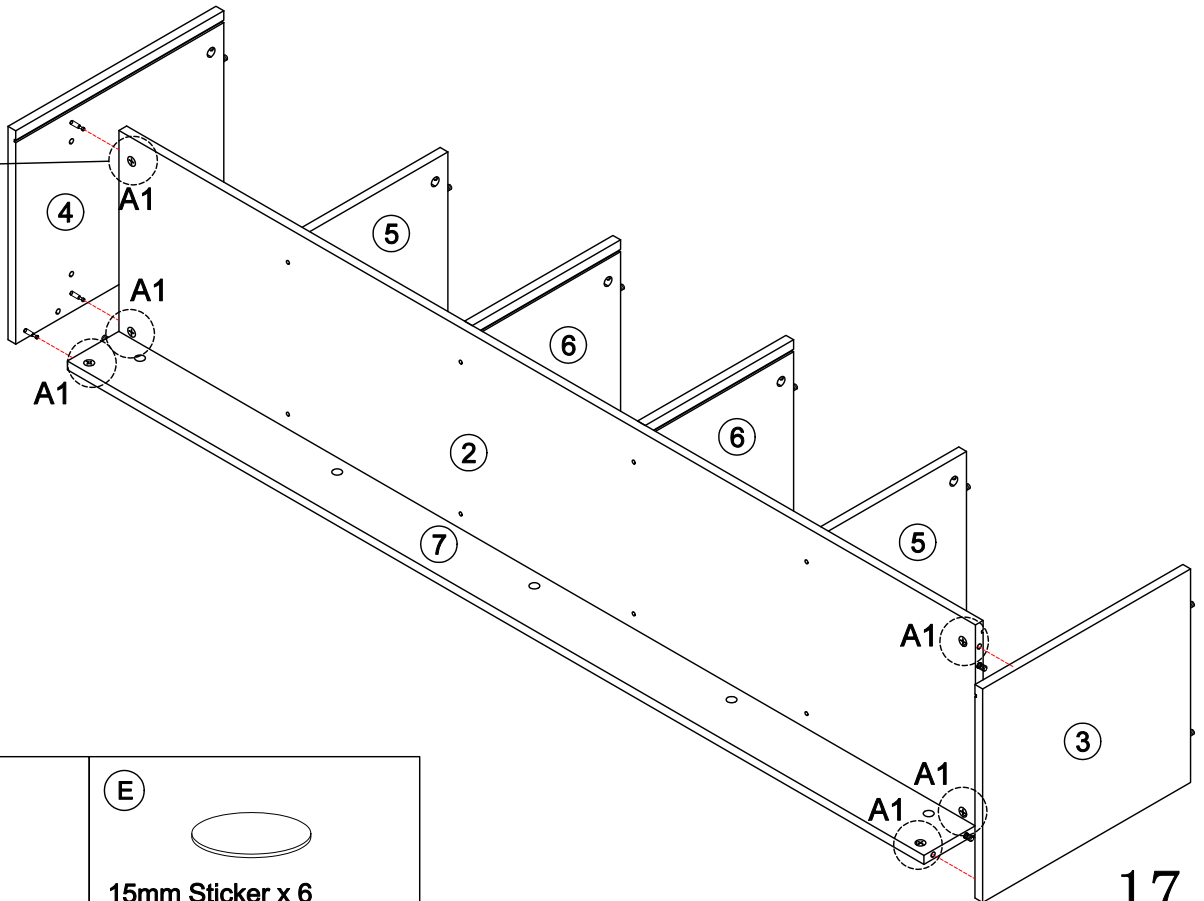
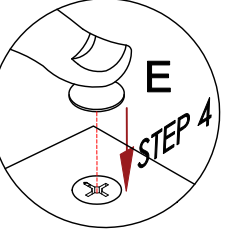
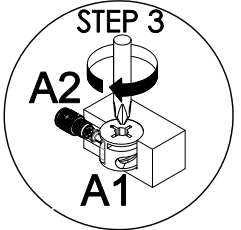
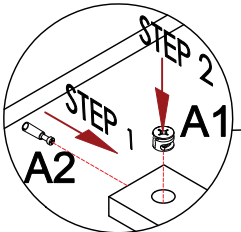
STEP 18



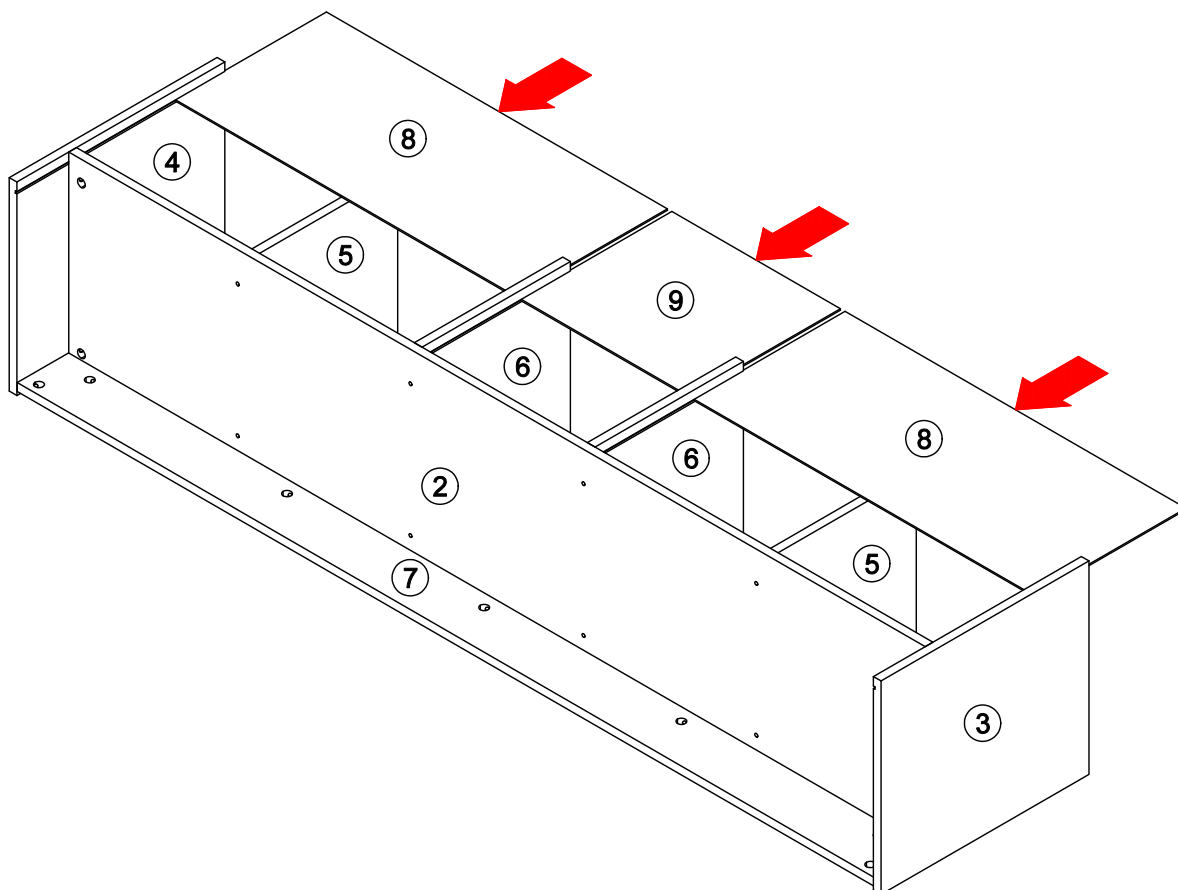
STEP 19



STEP 20

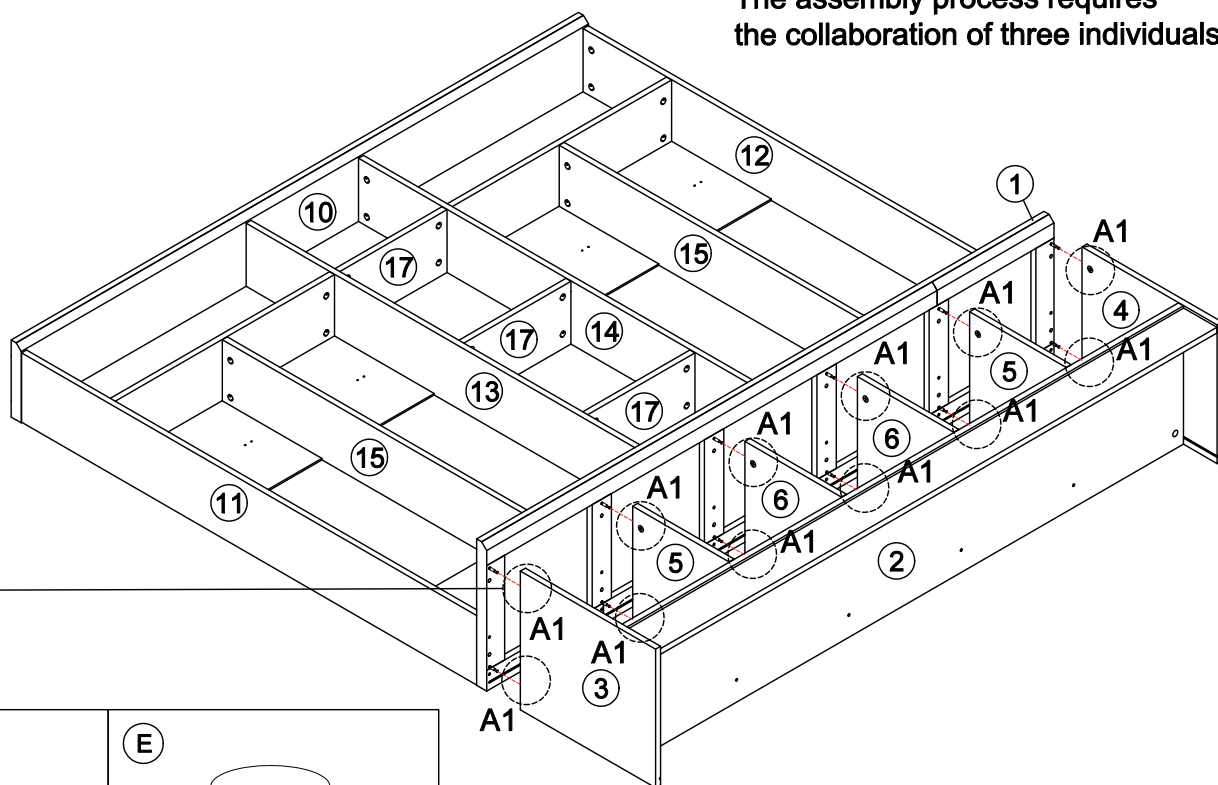
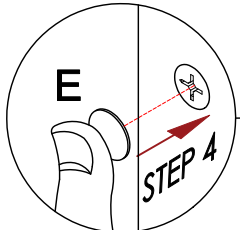
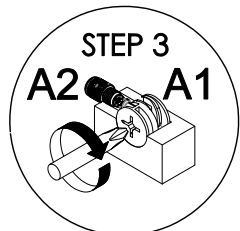
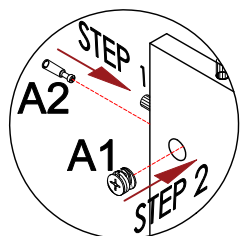


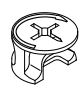

STEP 21



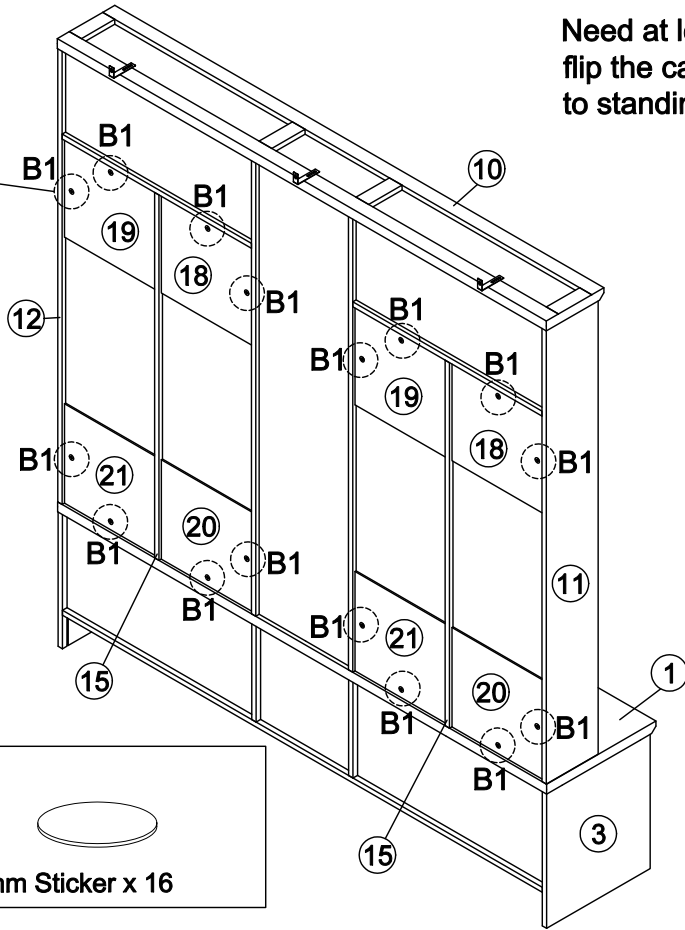
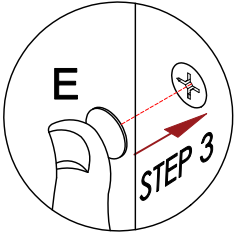
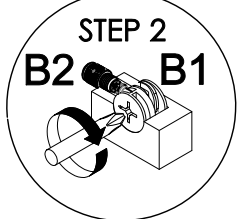
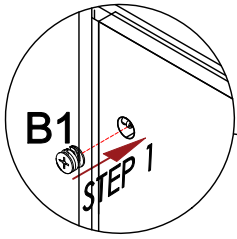
STEP 22

The assembly process requires the collaboration of three individuals.

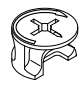



<p>(A1)</p>  <p>Cam lock x 12</p>	<p>(E)</p>  <p>15mm Sticker x 12</p>
--	---

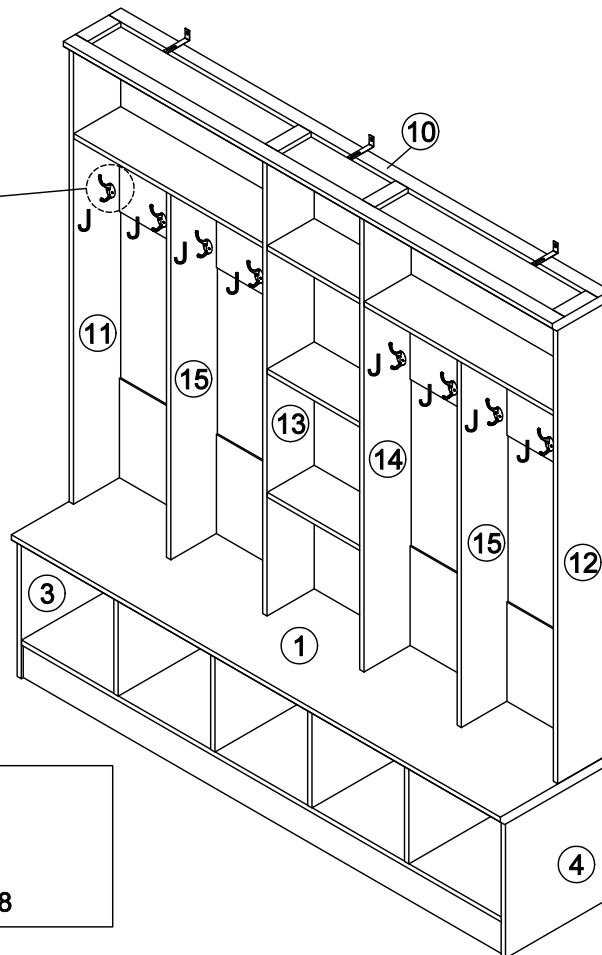
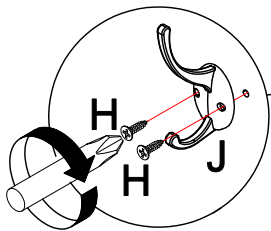
STEP 23

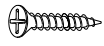



Need at least three person to flip the cabinet carefully to standing position.

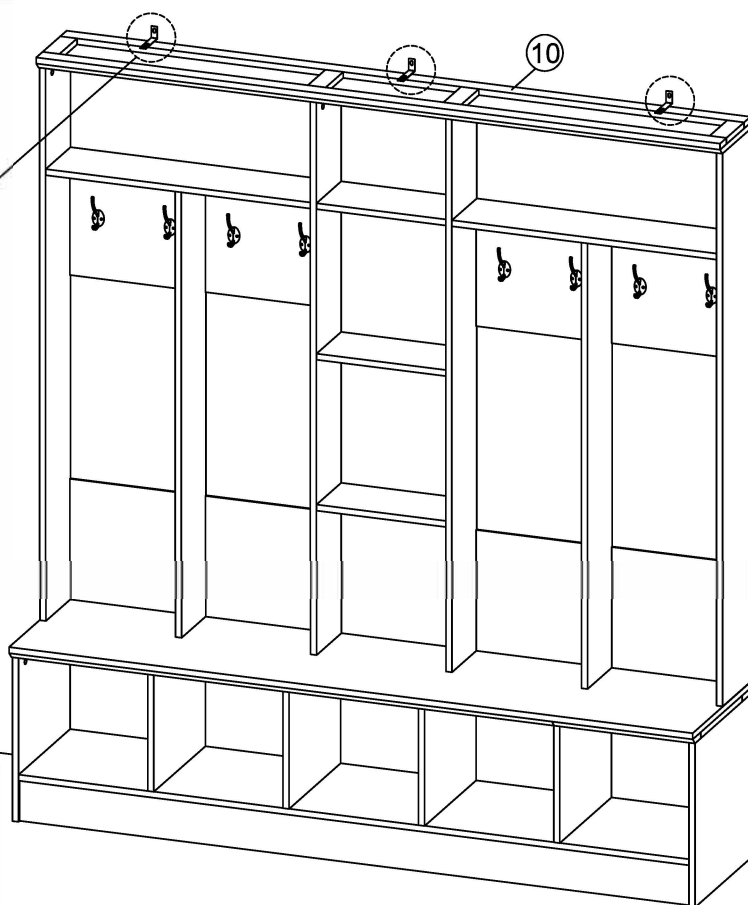
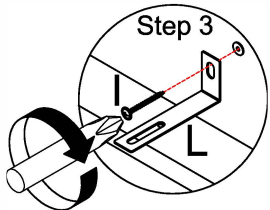
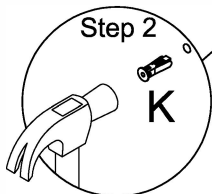
<p>(B1) </p> <p>Cam lock x 16</p>	<p>(E) </p> <p>15mm Sticker x 16</p>
---	--

STEP 24

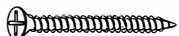


<p>(H) </p> <p>3.5*16mm Screw x 16</p>	<p>(J) </p> <p>Hook JD 7500 x 8</p>
---	--

STEP 25

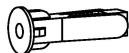


I



4*38mm Screw x 3 + 2

K



Wall plug x 3

STEP 26

