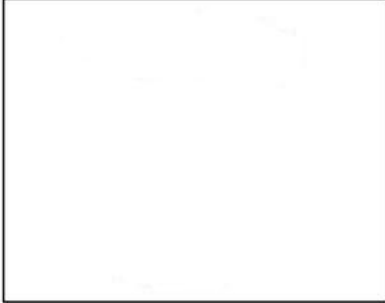


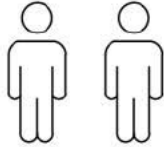
ASSEMBLY INSTRUCTIONS



+ Do Not Use
Power Tools



+ Suggested
Adults



NOTE:

1. Read instructions cover to cover.
- 2 Save all packaging until assembly is completed.

1. IMPORTANT SAFETY INFORMATION

Do not assemble the product if any of the following parts arrived damaged :

- Part # 1 - Marble top
- Part # 2 - Marble Base

2. IMPORTANT ASSEMBLY INFORMATION

Assembly step :

Step - 1 Use bolt and iron clip- A, B, C,E & F to connect Part 1 and Part 2.

Warning : Do not over tighten screws, or it could damage the Table Top.

+Parts Included

(1) Marble Top - Pc

(2) Marble Base - 4 Pcs

Hardware Included

A . Allen Bolts 8x20 (24 Pc)



Allen Screw 8x15 (16 Pcs)



C . Washer 25x8(24 Pcs)



D. Allenkey 5mm (1 Pc)

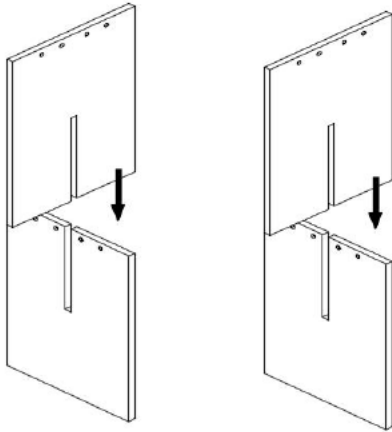


E. Iron Clip (8 Pc)

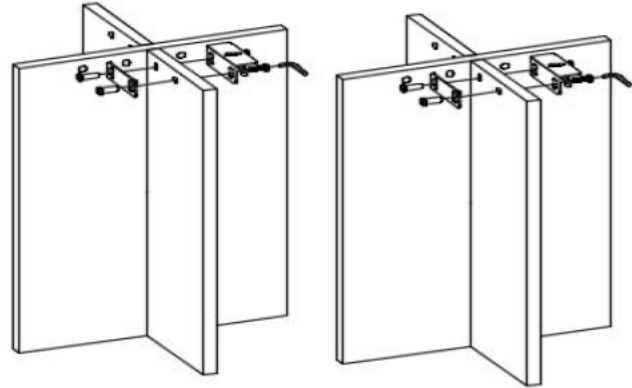
F. Iron L Clip (8 Pcs)

ASSEMBLY INSTRUCTIONS

①



②



③

Note : Do not over
tighten screws