




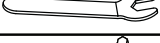
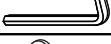

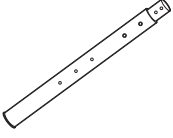
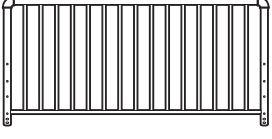


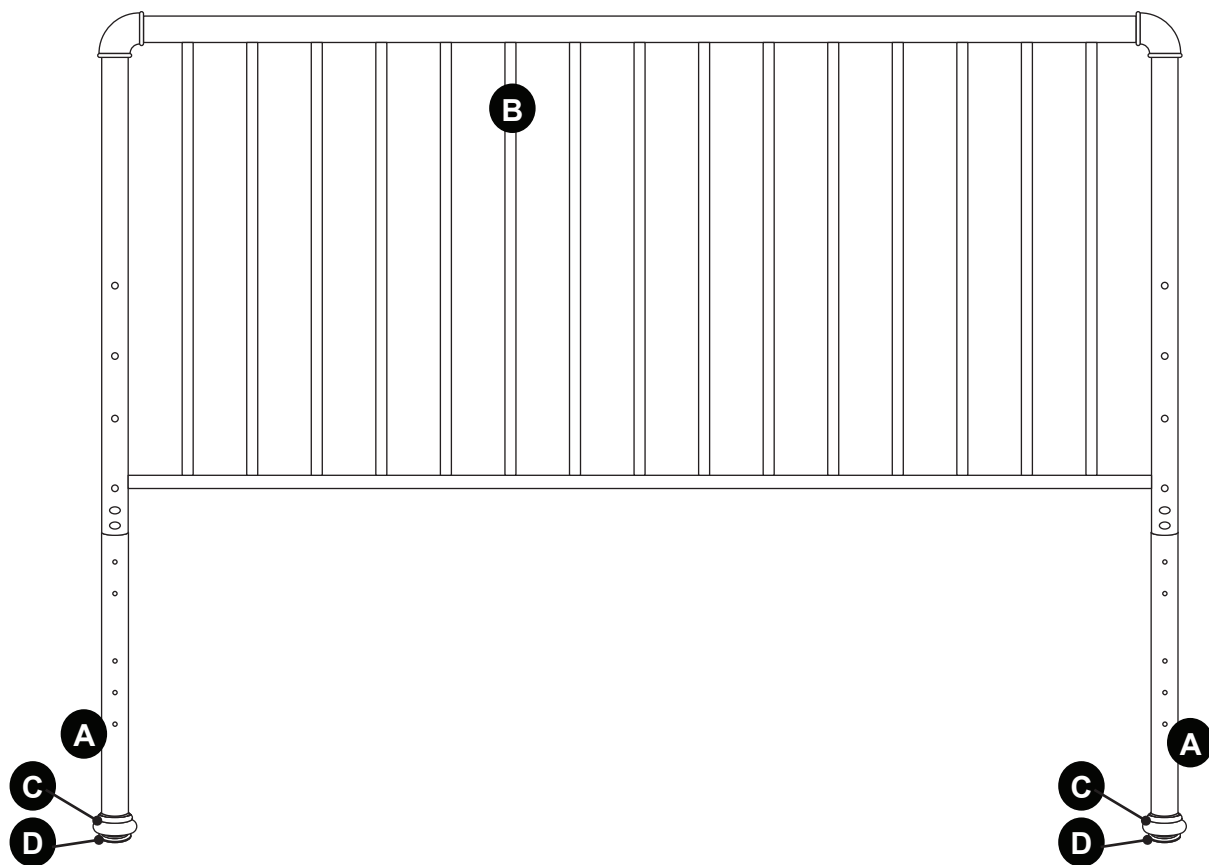


Examine all packaging material for small parts that may have come loose during shipment. Periodic checks are recommended to insure that all components are in proper position, tight and free from damage. Keep this assembly instruction for future reference. Adult assembly is required.

CODE	QTY	HARDWARE
1	4	1/4" x 2-1/4" Sunk Bolts 
2	4	1/4" x 1" Allen Bolts 
3	8	1/4" Flat Washers 
4	4	1/4" Spring Washers 
5	4	1/4" Hex Nuts 
6	1	Open Wrench 
7	1	Allen Wrench 
8	4	1/4" x 3/4" Allen Bolts 

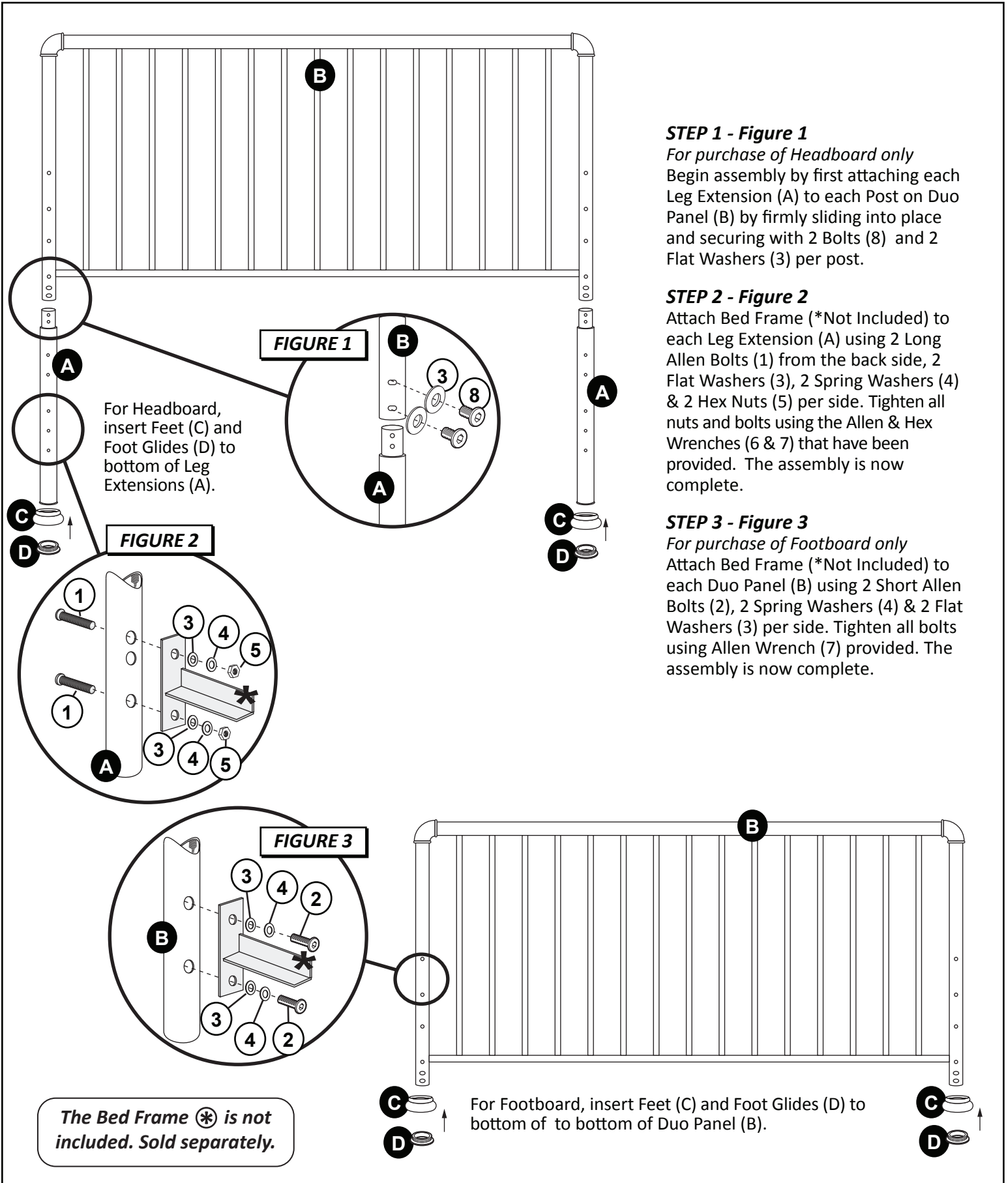
CODE	QTY	COMPONENTS	CODE	QTY	COMPONENTS
A	2	Leg Extensions 	B	1	Duo Panel 
C	2	Feet 	D	2	Foot Glides 



⚠ WARNING

- Do not let any sharp objects touch or rub the surface of the product.
- When assembling, do not let children play around the working area.
- Please confirm all parts are correct before starting the assembly process.
- Do not tighten all bolts and screws completely until the entire unit has been assembled and set up.
- Be careful if using power tools as they can over tighten screws and strip threads.

CARE & MAINTENANCE: The touch of a soft cloth is all the maintenance the finish will ever need. Please do not use harsh or abrasive cleaners for polishing, as they may cause damage to the finish. Periodic checks are recommended to make sure that all hardware is securely tightened.



STEP 1 - Figure 1

For purchase of Headboard only
Begin assembly by first attaching each Leg Extension (A) to each Post on Duo Panel (B) by firmly sliding into place and securing with 2 Bolts (8) and 2 Flat Washers (3) per post.

STEP 2 - Figure 2

Attach Bed Frame (*Not Included) to each Leg Extension (A) using 2 Long Allen Bolts (1) from the back side, 2 Flat Washers (3), 2 Spring Washers (4) & 2 Hex Nuts (5) per side. Tighten all nuts and bolts using the Allen & Hex Wrenches (6 & 7) that have been provided. The assembly is now complete.

STEP 3 - Figure 3

For purchase of Footboard only
Attach Bed Frame (*Not Included) to each Duo Panel (B) using 2 Short Allen Bolts (2), 2 Spring Washers (4) & 2 Flat Washers (3) per side. Tighten all bolts using Allen Wrench (7) provided. The assembly is now complete.

The Bed Frame * is not included. Sold separately.

For Footboard, insert Feet (C) and Foot Glides (D) to bottom of to bottom of Duo Panel (B).