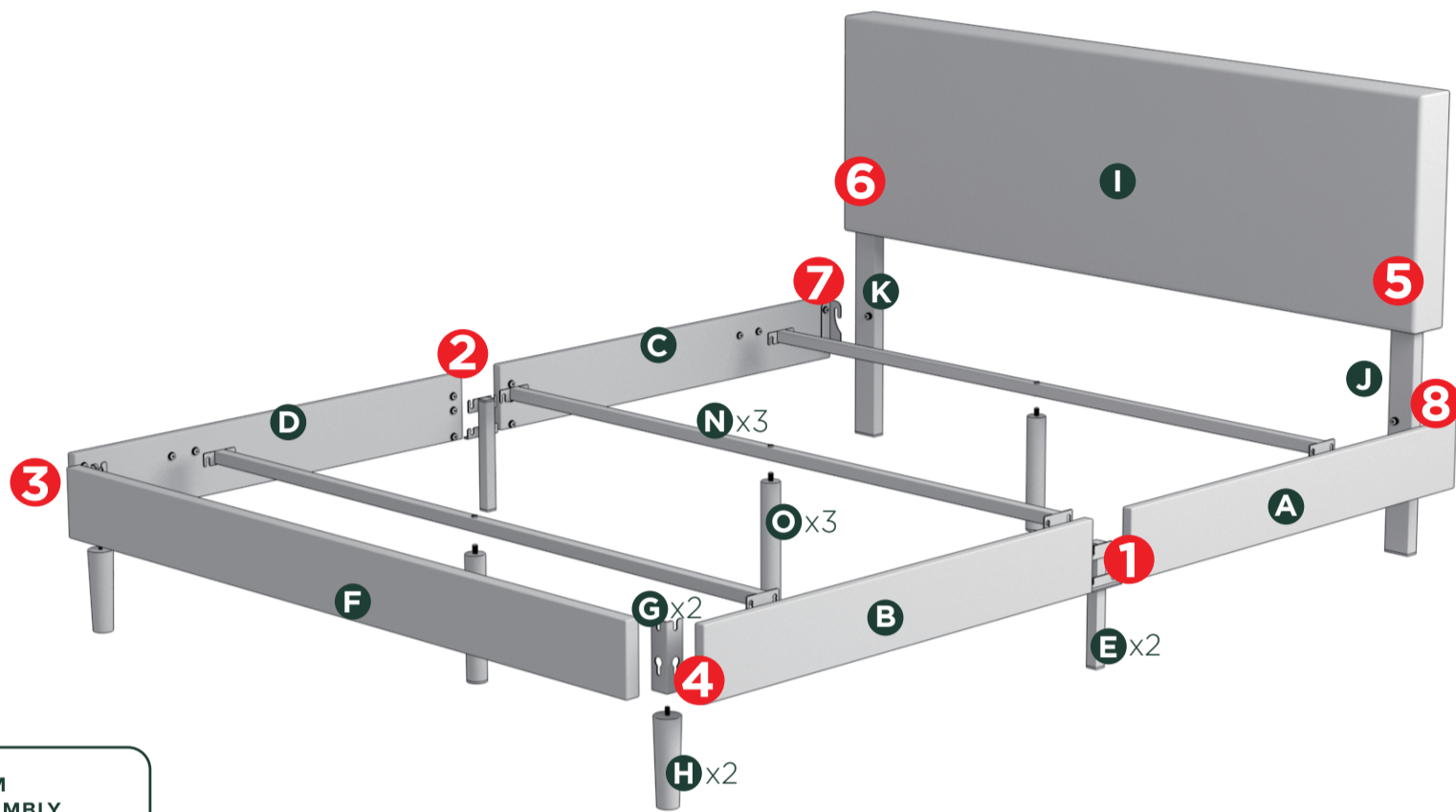
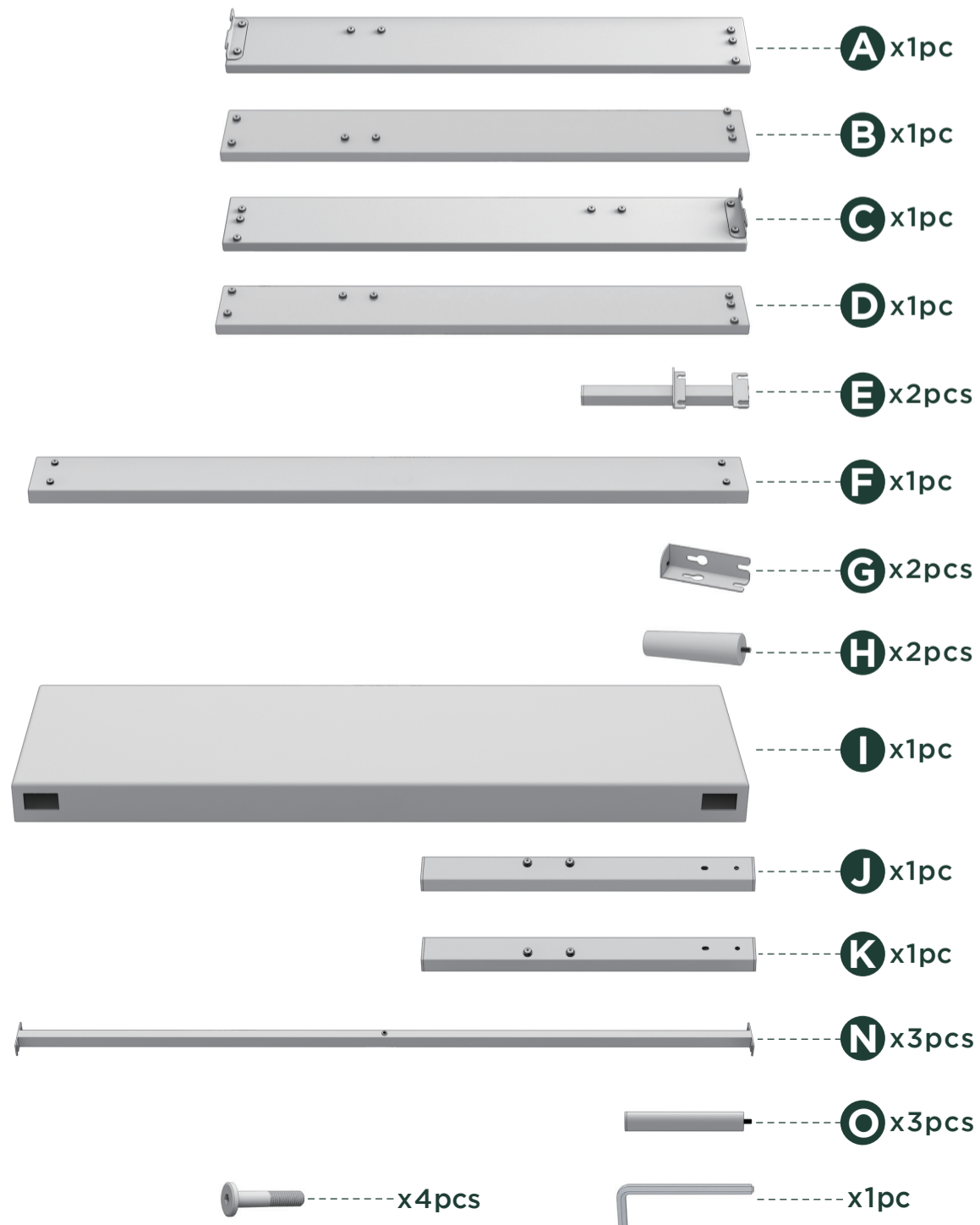


Easy as 1-2-3 Assembly Instruction

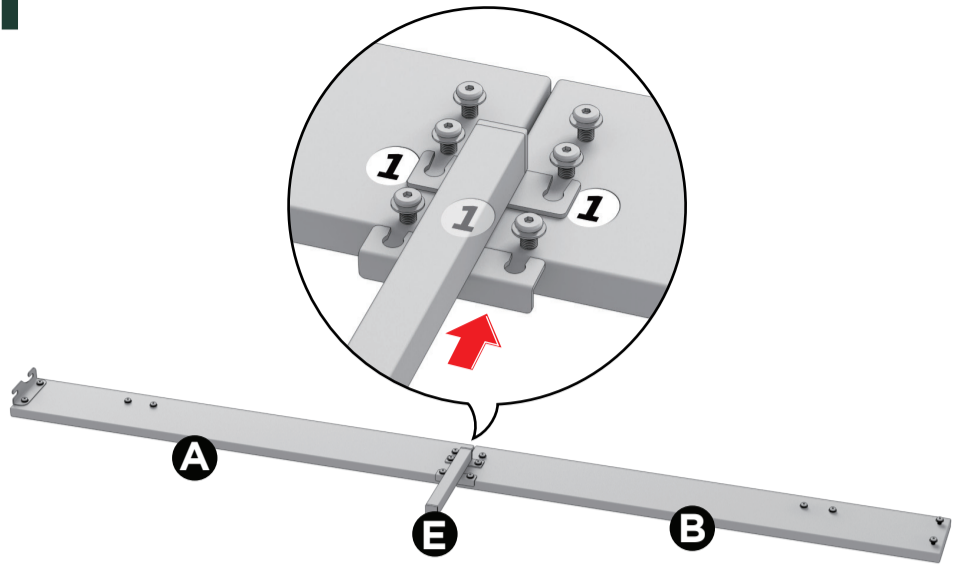
Numbers must Match for Secure Assembly



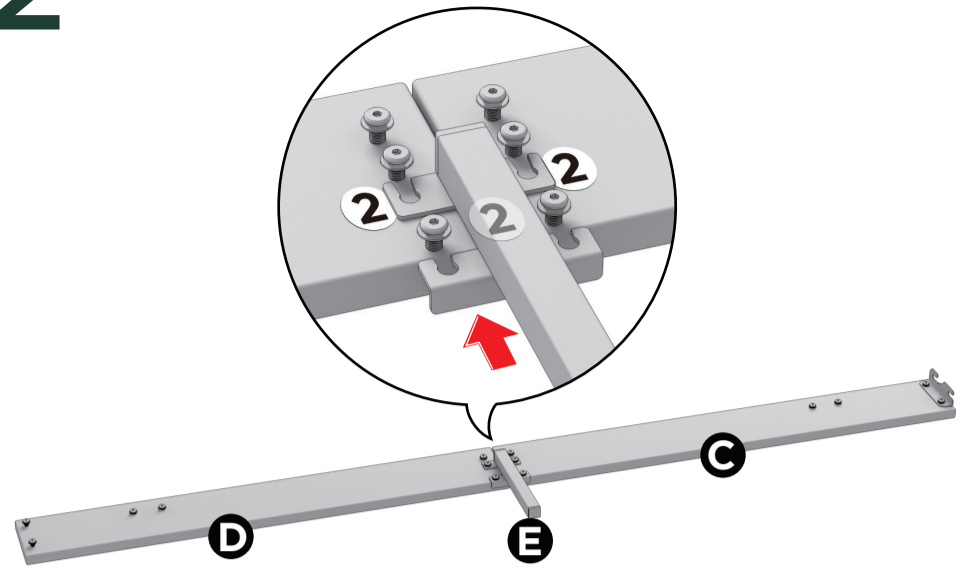
Components



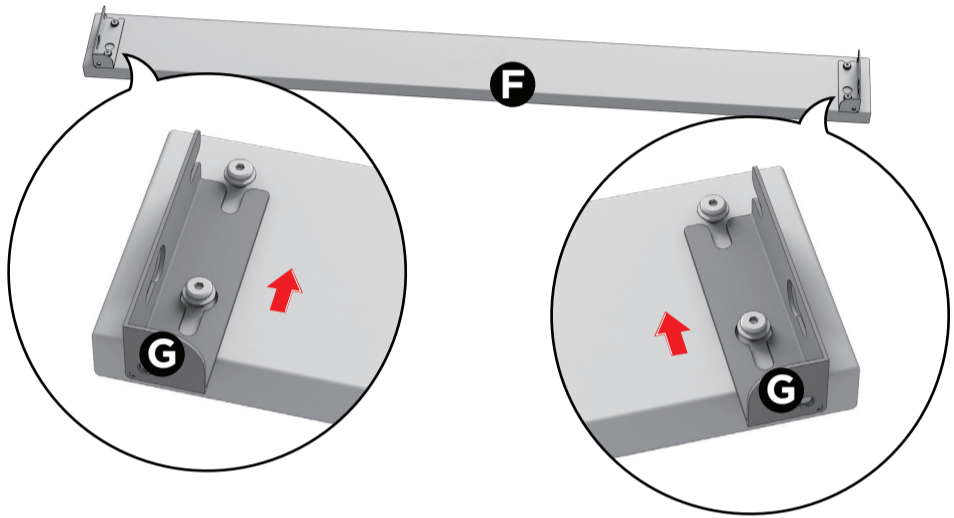
1



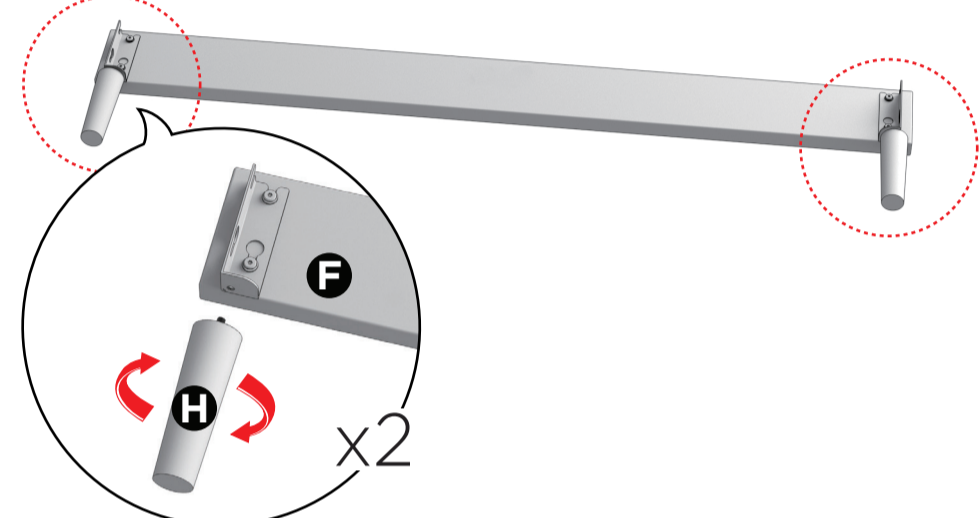
2



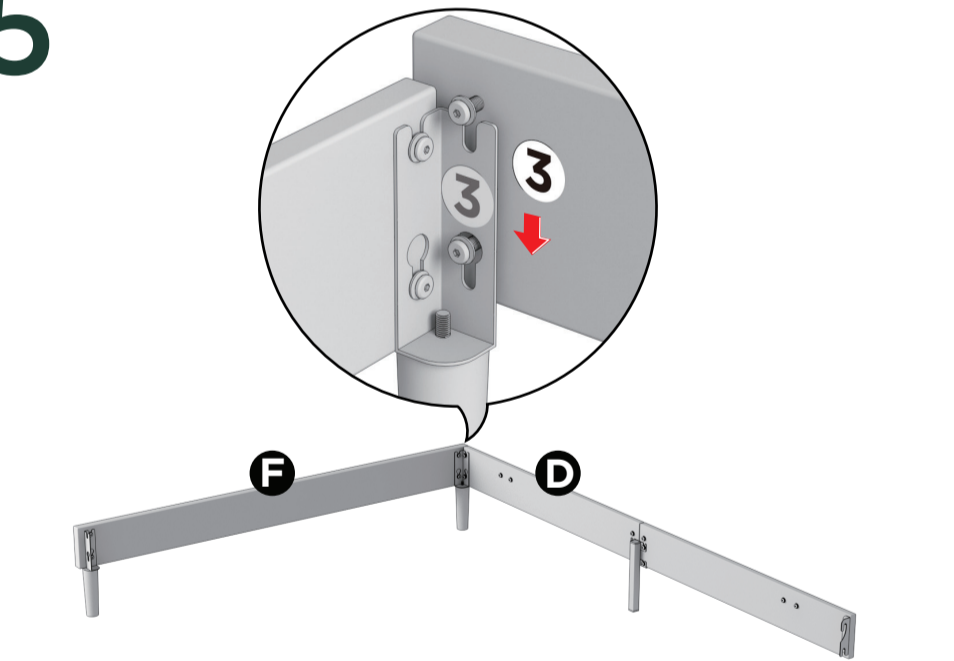
3



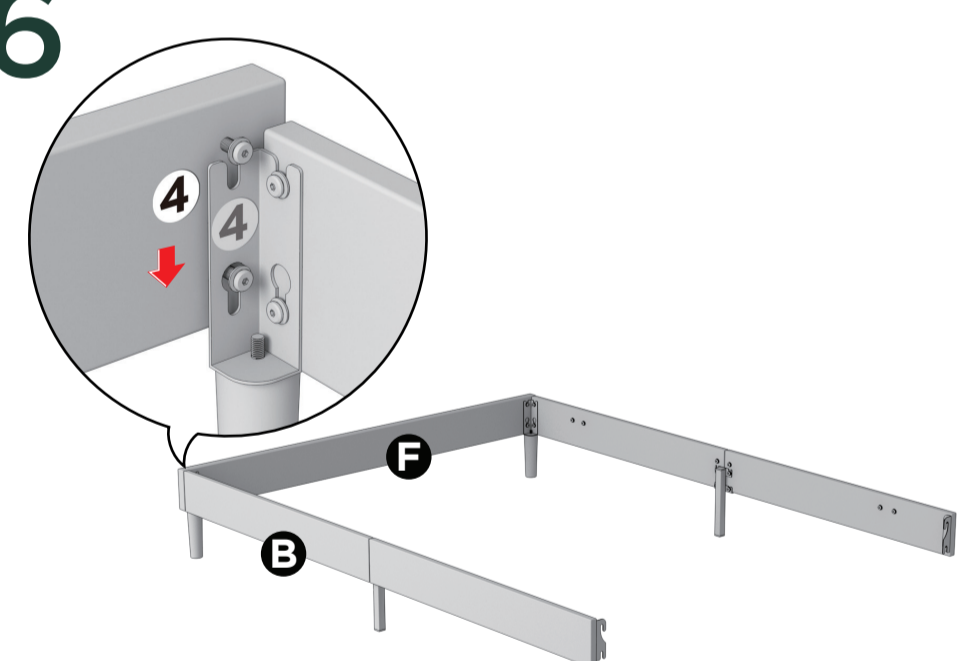
4



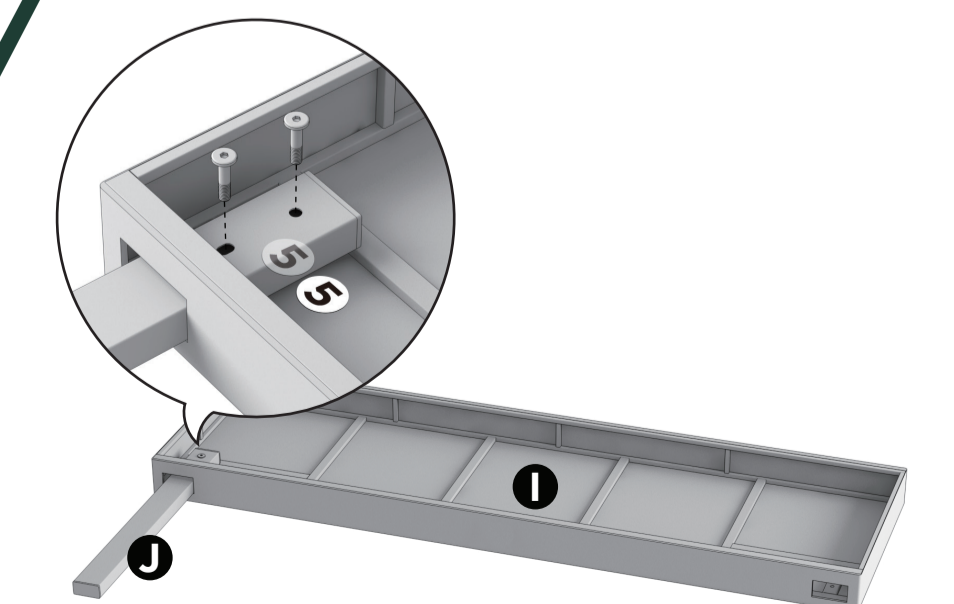
5



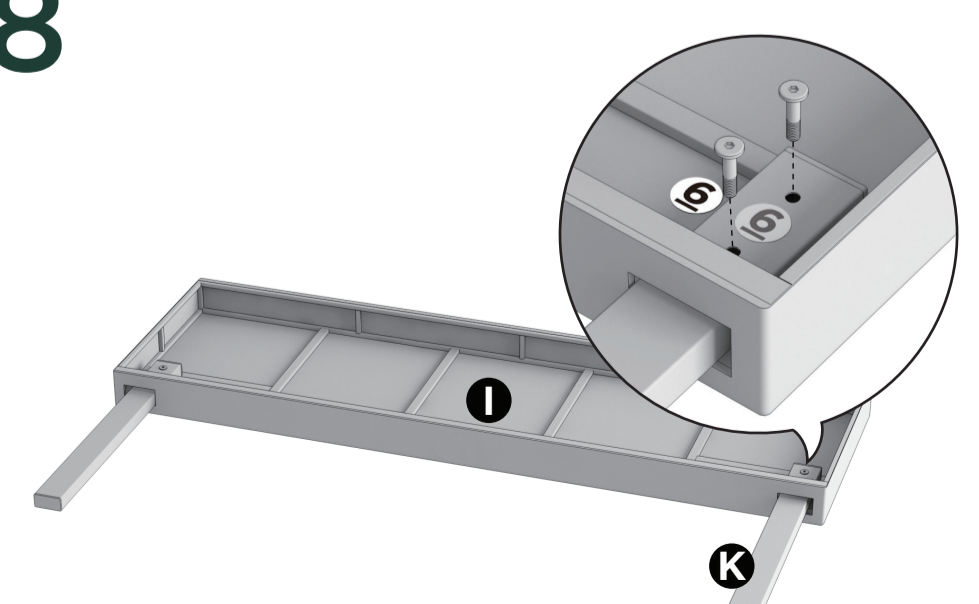
6



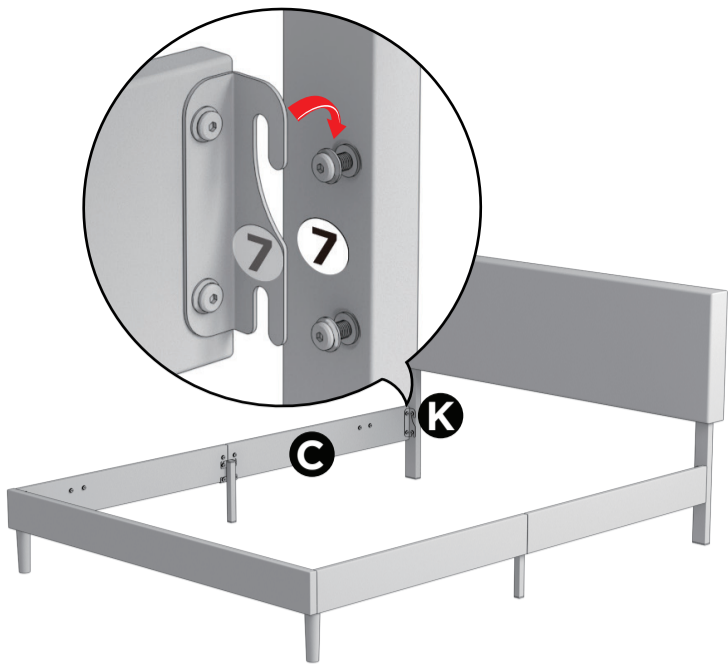
7



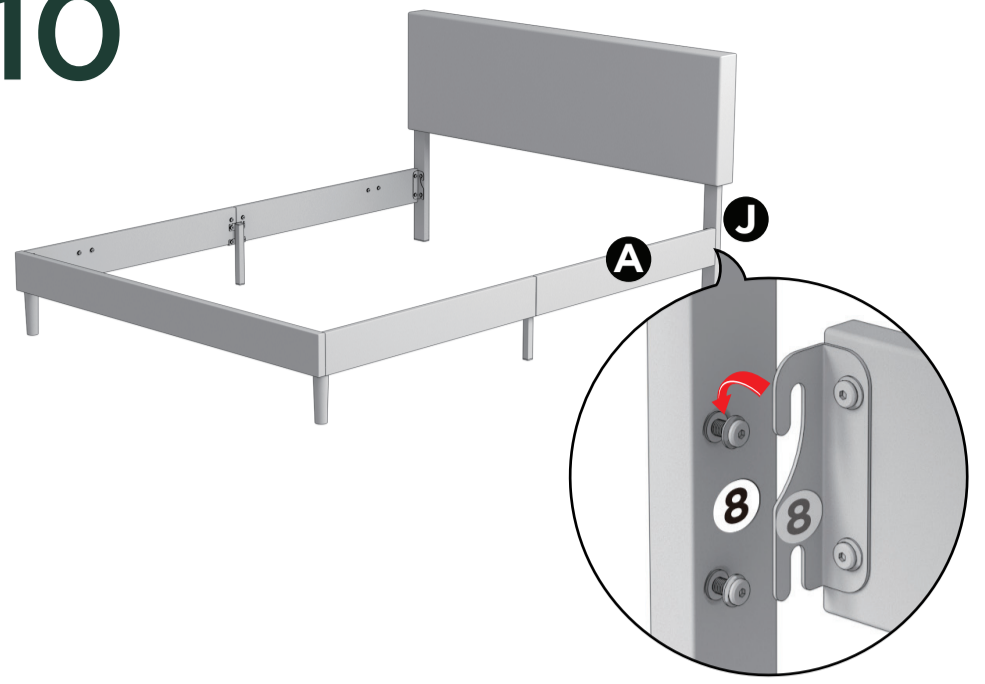
8



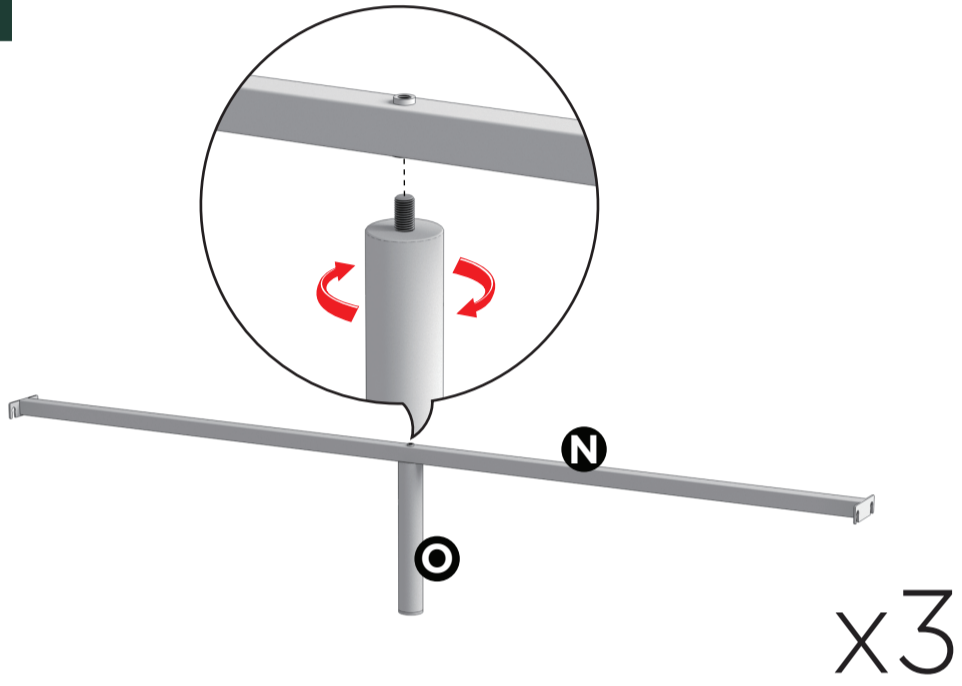
9



10



11



12

