







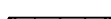








CARE AND MAINTENANCE

Spot clean using a mild water-free solvent. Only a professional cleaner should undertake a complete overall cleaning.
The use of steam or water-based cleaners may cause excessive shrinking or staining.

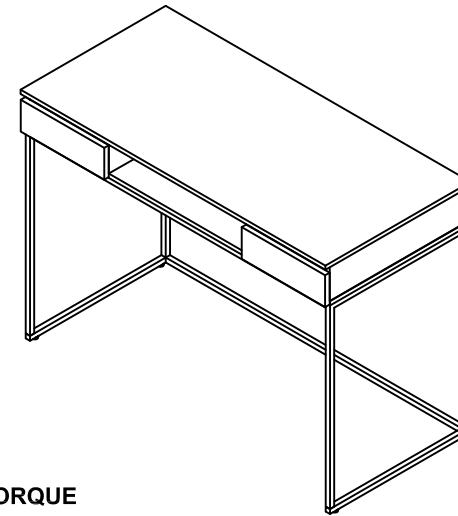
NOTICE

- * Please make sure that you have all parts indicated before you begin assembly of this item.
- * This item should be assembled on a soft surface to prevent scratching the finish during assembly.
- * This item may require periodic tightening.

Part List and Hardware List





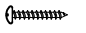
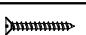




PIECE	DESCRIPTION	PICTURE	QUANTITY
A	TOP PANEL		1X
B	LEFT PANEL		1X
C	RIGHT PANEL		1X
D	LEFT DIVIDER		1X
E	RIGHT DIVIDER		1X
F	TOP RAIL		2X
G	BACK PANEL		1X
H	BOTTOM PANEL		1X
I	LEG FRAME		2X
J	BASE FRAME		1X
K	DRAWER FRONT		2X
L	DRAWER LEFT		2X
M	DRAWER RIGHT		2X
N	DRAWER BACK		2X
O	DRAWER BASE		2X

Product Dimensions: 42" W x 20" D x 30" H



WEIGHT CAPACITY:
TOP: 100 LBS
DRAWER: 15 LBS

**WARNING: DO NOT OVER TORQUE
BOLTS/SCREWS**

PIECE	DESCRIPTION	PICTURE	QUANTITY
1	35mm HEAD CAP BOLT	M6x35mm 	4X
2	25mm HEAD CAP BOLT	M6x25mm 	8X
3	1 3/4" ROUND HEAD SCREW	M4x44mm 	6X
4	1" ROUND HEAD SCREW	M4x25mm 	12X
5	1 1/4" FLAT HEAD SCREW	M3x32mm 	16X
6	3/4" FLAT HEAD SCREW	M3x19mm 	4X
7	CAMBOLT		27X
8	CAMLOCK		27X
9	DOWEL		24X
10	ALLEN KEY		1X

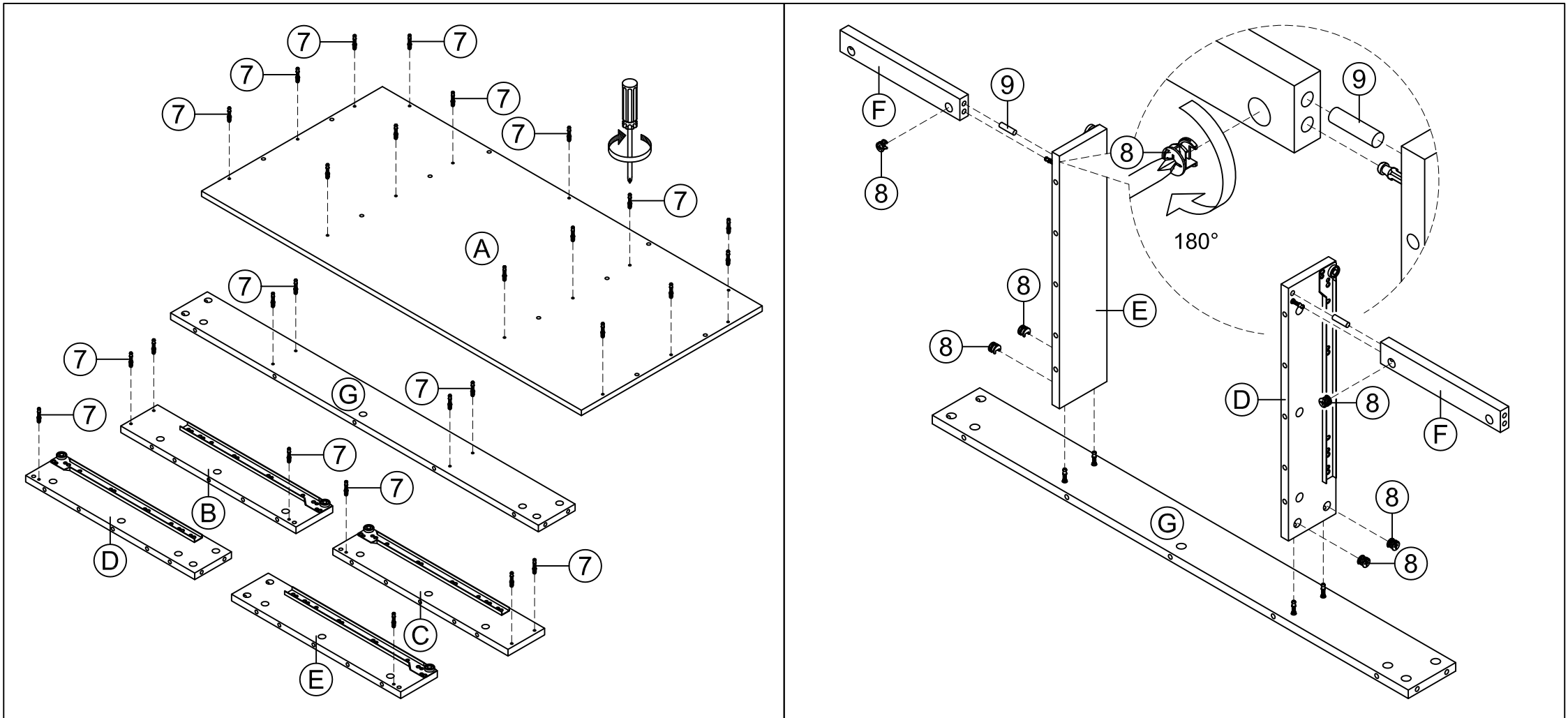
PREPARATION

Before beginning assembly of product, make sure all parts are present. Compare parts with package contents list and hardware contents list.

If any part is missing or damaged, do not attempt to assemble the product.

Estimated Assembly Time: 30 minutes.

Tools Required for Assembly : Phillips Screwdriver



STEP 1 INSERT CAMBOLTS INTO PRE-DRILLED HOLES IN TOP PANEL, LEFT AND RIGHT PANELS, LEFT AND RIGHT DIVIDERS AND BACK PANEL, THEN TIGHTEN. SCREW-IN CAMBOLTS MUST BE SCREWED DOWN FLUSH.

STEP 2 ATTACH TOP RAILS TO LEFT AND RIGHT DIVIDERS USING CAM LOCKS AND DOWELS. ATTACH LEFT AND RIGHT DIVIDERS TO BACK PANEL USING CAM LOCKS.

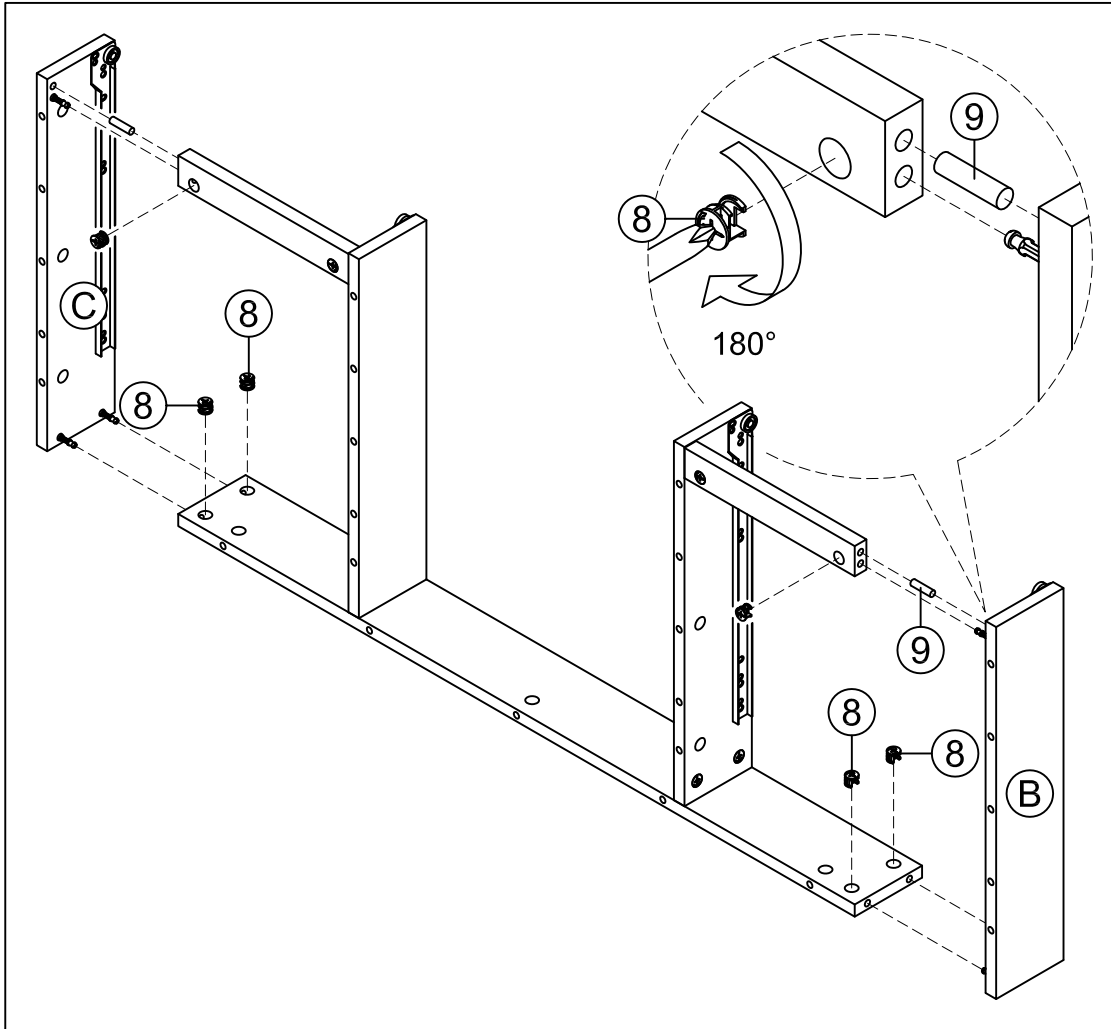
PREPARATION

Before beginning assembly of product, make sure all parts are present. Compare parts with package contents list and hardware contents list.

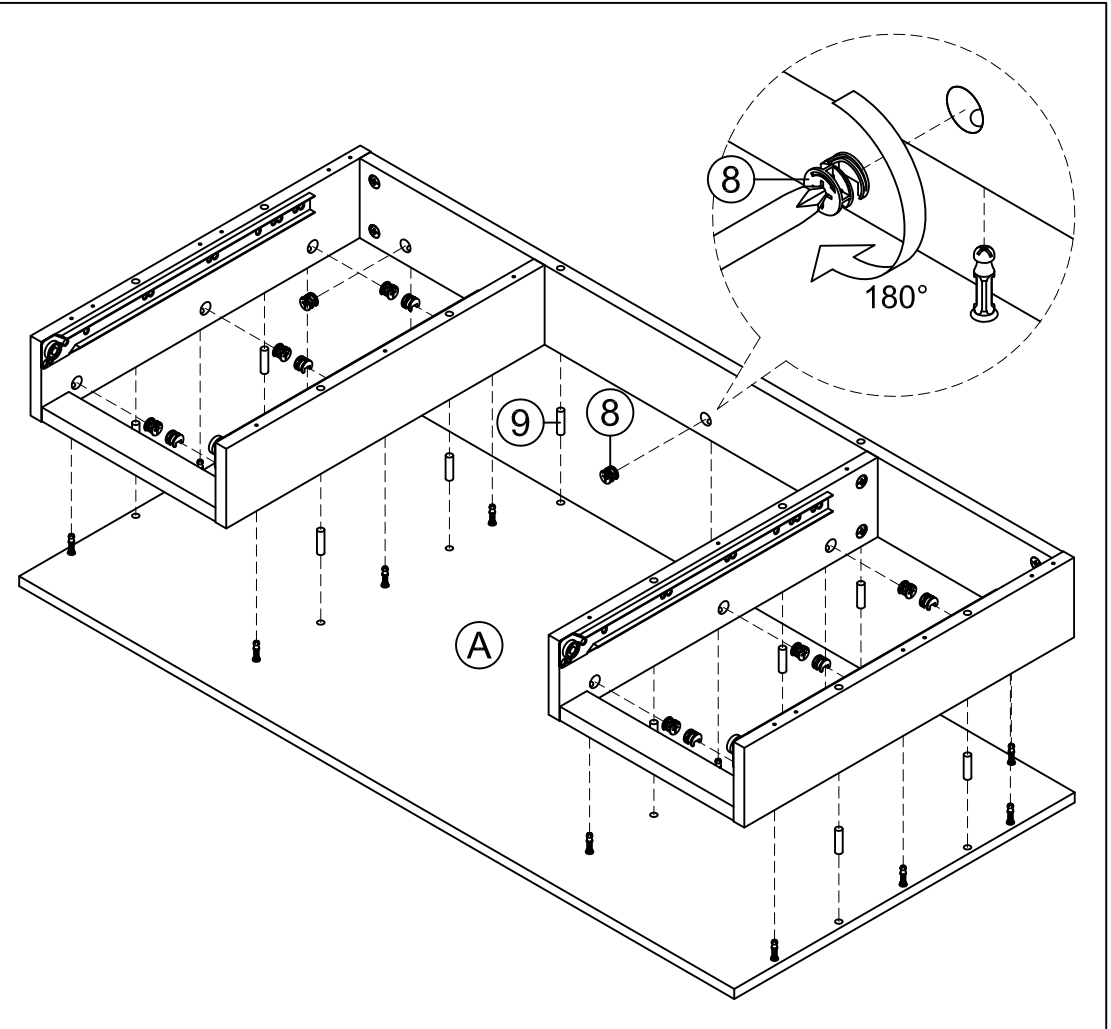
If any part is missing or damaged, do not attempt to assemble the product.

Estimated Assembly Time: 30 minutes.

Tools Required for Assembly : Phillips Screwdriver



STEP 3 ATTACH LEFT AND RIGHT PANELS TO UNIT USING CAMLOCKS AND DOWELS.



STEP 4 ATTACH TOP PANEL TO UNIT USING CAMLOCKS AND DOWELS.

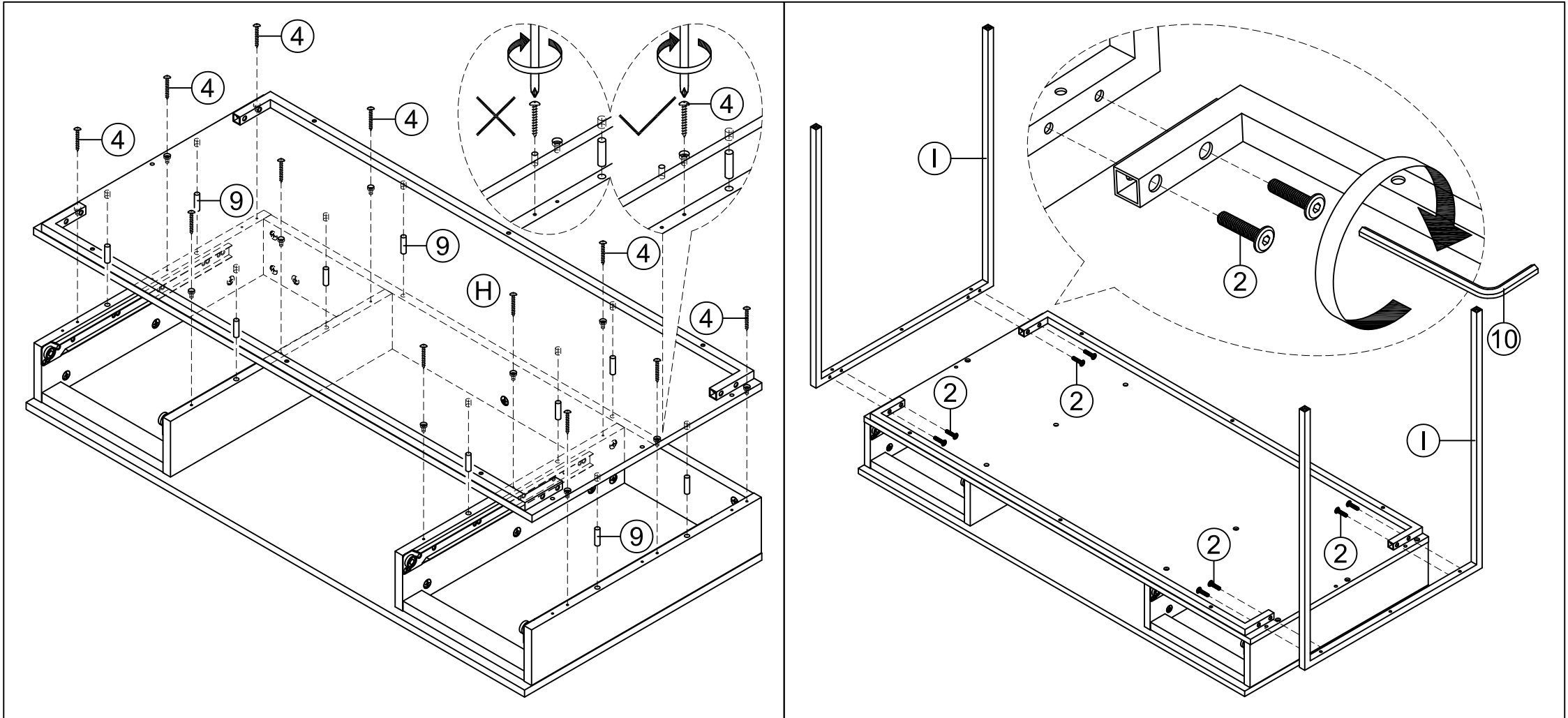
PREPARATION

Before beginning assembly of product, make sure all parts are present. Compare parts with package contents list and hardware contents list.

If any part is missing or damaged, do not attempt to assemble the product.

Estimated Assembly Time: 30 minutes.

Tools Required for Assembly : Phillips Screwdriver



STEP 5 ATTACH BOTTOM PANEL TO UNIT USING 1" ROUND HEAD SCREWS AND DOWELS.

STEP 6 ATTACH LEG FRAMES TO UNIT USING 25mm HEAD CAP BOLTS.
NOTE: TURN BOLTS USING ALLEN KEY ONLY HALFWAY THIS TIME.

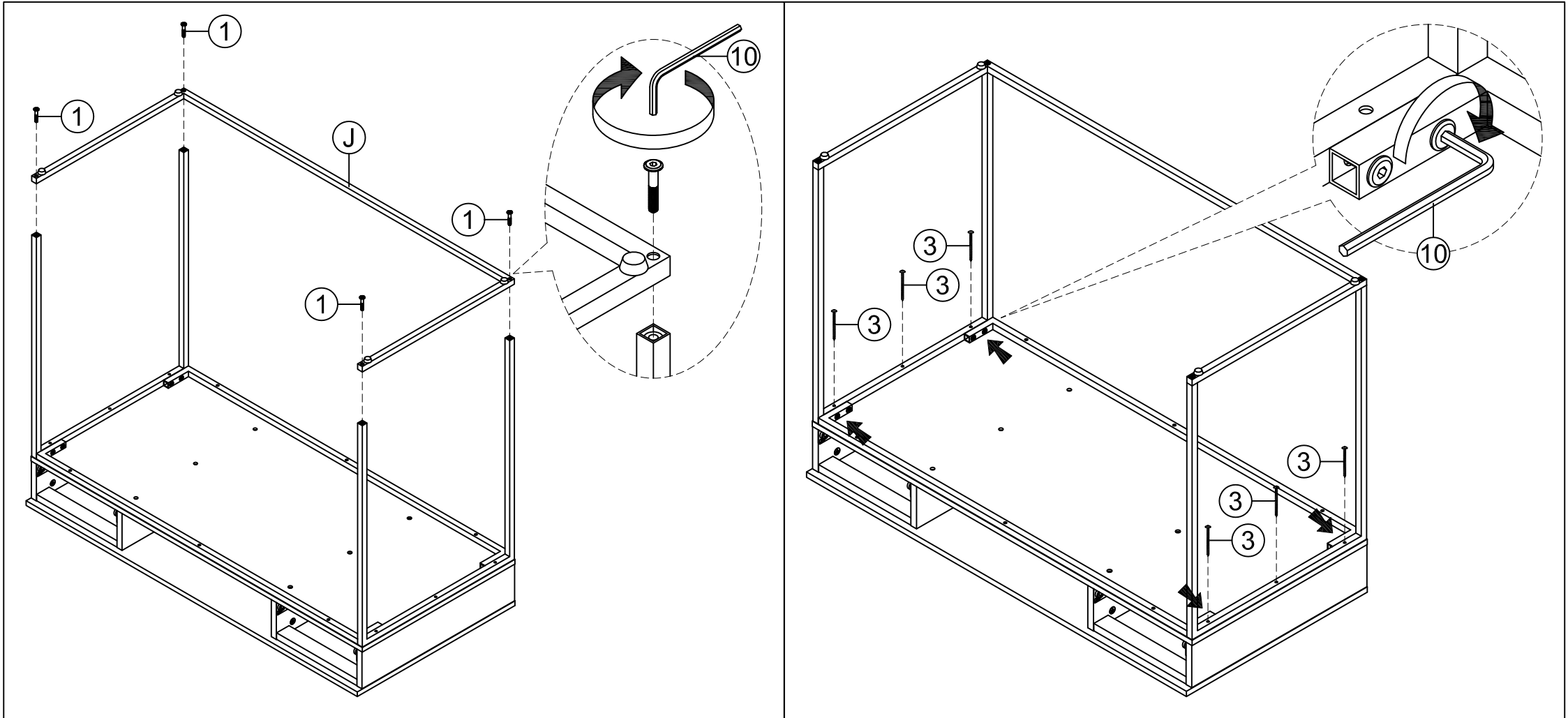
PREPARATION

Before beginning assembly of product, make sure all parts are present. Compare parts with package contents list and hardware contents list.

If any part is missing or damaged, do not attempt to assemble the product.

Estimated Assembly Time: 30 minutes.

Tools Required for Assembly : Phillips Screwdriver



STEP 7 ATTACH BASE FRAME TO UNIT USING 35mm HEAD CAP BOLTS. TIGHTEN BOLTS USING ALLEN KEY.

STEP 8 TIGHTEN BOLTS FROM STEP 6 USING ALLEN KEY. ATTACH 1 3/4 ROUND HEAD SCREWS TO UNIT.

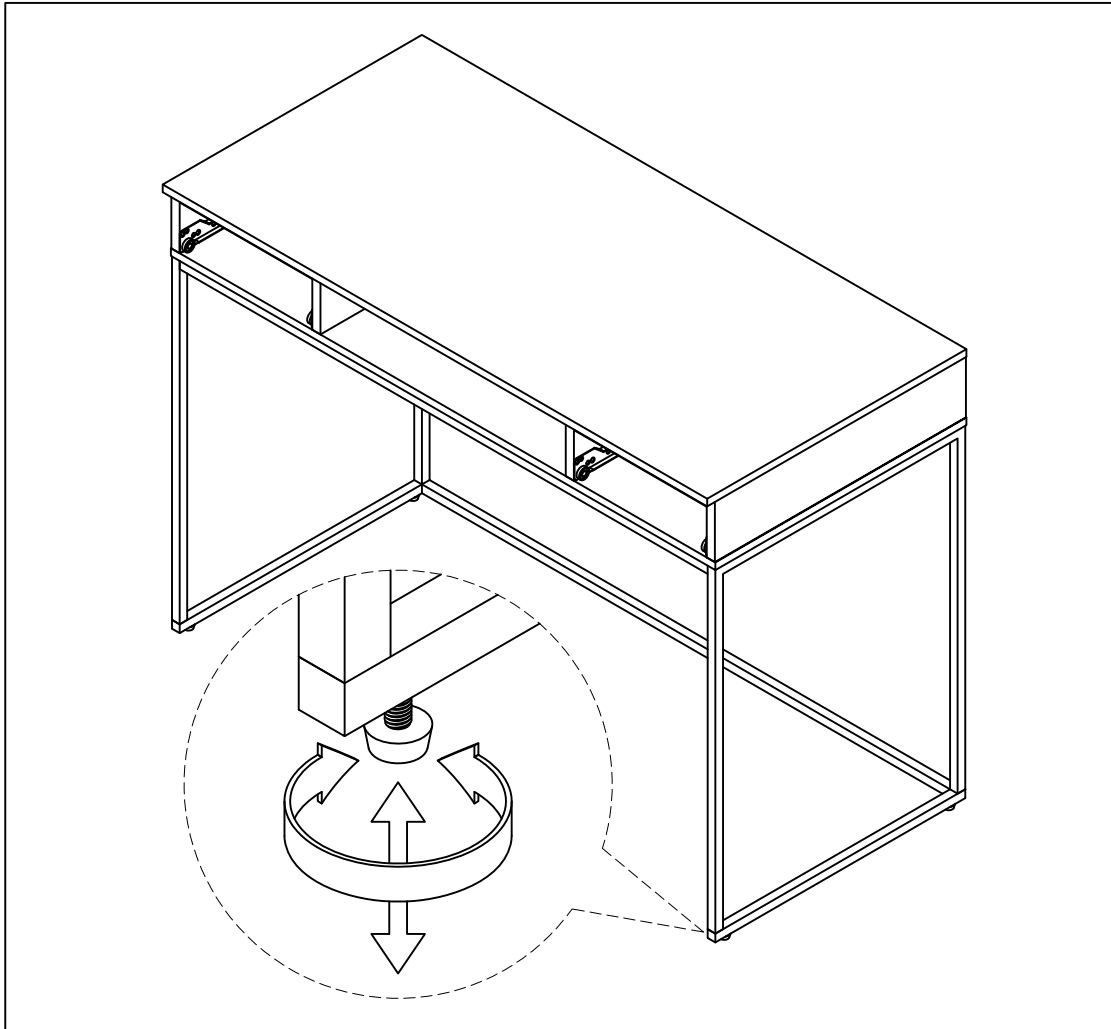
PREPARATION

Before beginning assembly of product, make sure all parts are present. Compare parts with package contents list and hardware contents list.

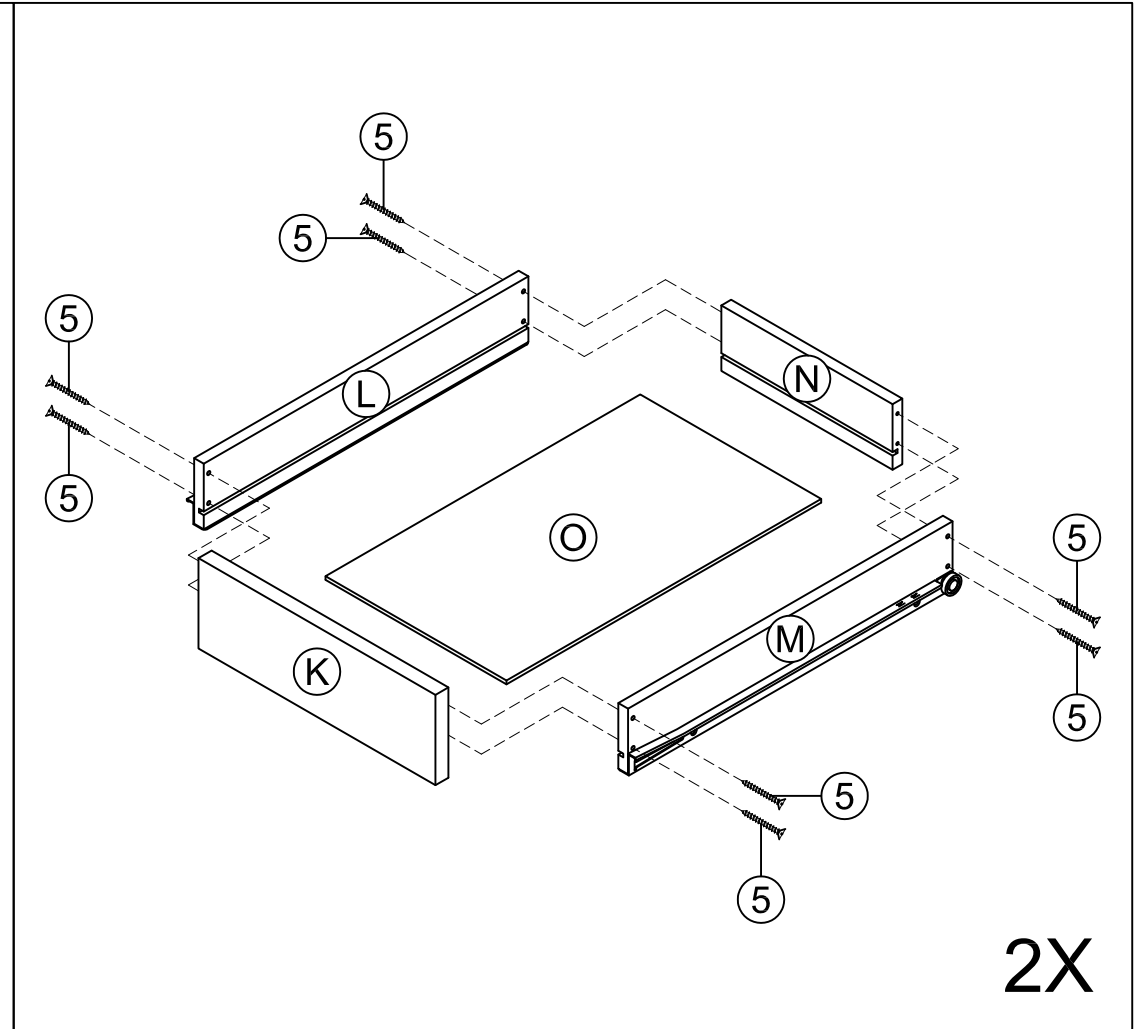
If any part is missing or damaged, do not attempt to assemble the product.

Estimated Assembly Time: 30 minutes.

Tools Required for Assembly : Phillips Screwdriver



STEP 9 ADJUST THE ADJUSTER BOLT THAT HAS ALREADY ASSEMBLED TO THE LEGS TO STABILIZE YOUR UNIT



STEP 10 ATTACH DRAWER LEFT AND RIGHT TO DRAWER BACK USING 1 1/4" FLAT HEAD SCREWS. SLIDE DRAWER BASE INTO THE GROOVE. ATTACH DRAWER FRONT TO DRAWER LEFT AND RIGHT USING 1 1/4" FLAT HEAD SCREWS.

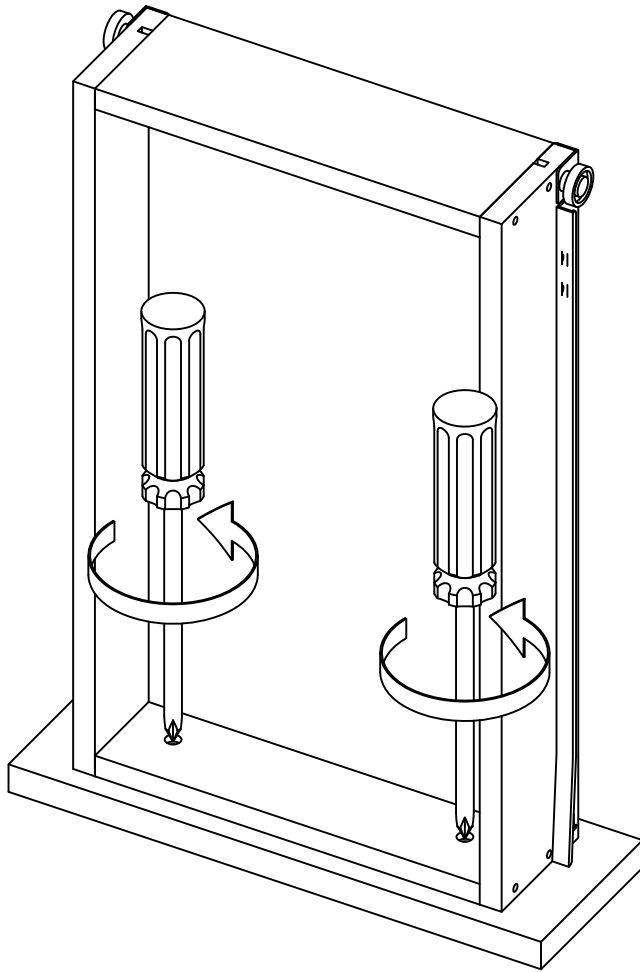
PREPARATION

Before beginning assembly of product, make sure all parts are present. Compare parts with package contents list and hardware contents list.

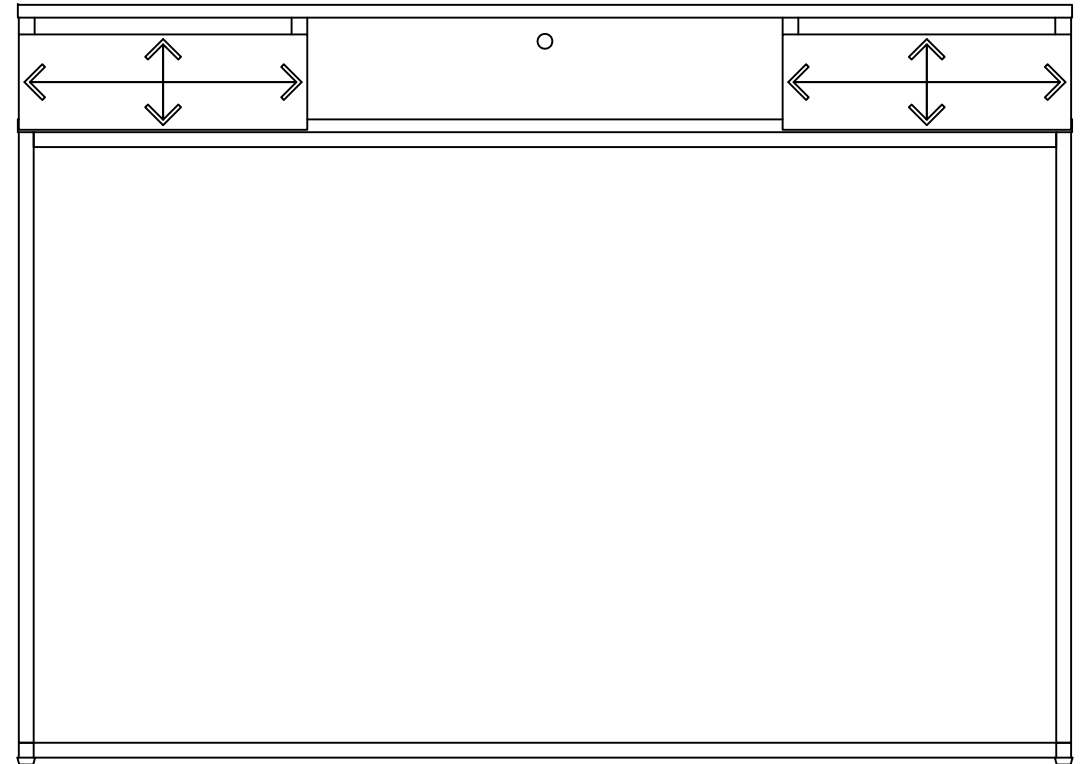
If any part is missing or damaged, do not attempt to assemble the product.

Estimated Assembly Time: 30 minutes.

Tools Required for Assembly : Phillips Screwdriver



STEP 11 LOOSEN SLIGHTLY THE SCREWS PRE-INSTALLED ON THE BACK OF THE DRAWER FRONTS.



STEP 12 INSERT THE DRAWER INTO THE UNIT, THEN ADJUST THE DRAWER FRONT PANEL LEFT OR RIGHT AND UP OR DOWN UNTIL THE DRAWER GAPS LOOK PROPORTIONAL.

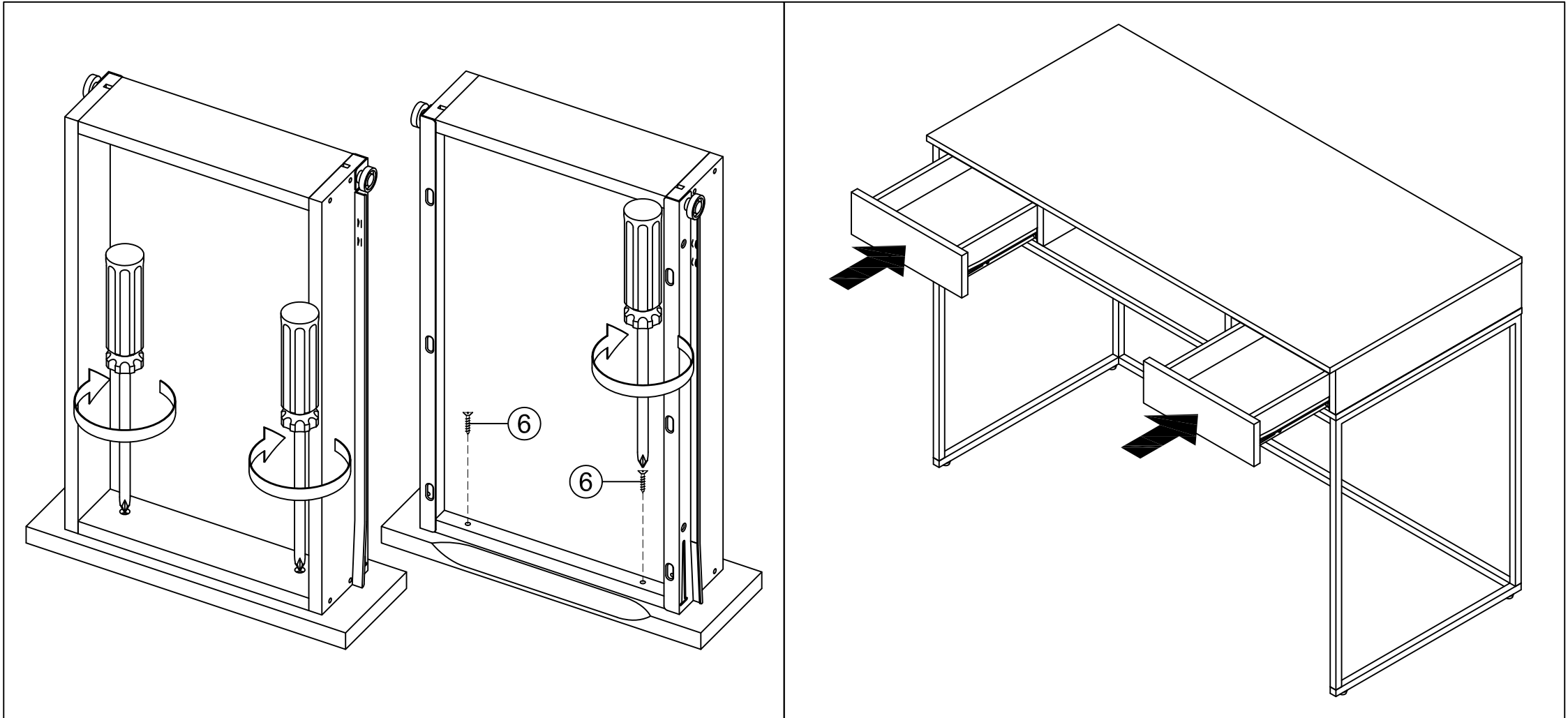
PREPARATION

Before beginning assembly of product, make sure all parts are present. Compare parts with package contents list and hardware contents list.

If any part is missing or damaged, do not attempt to assemble the product.

Estimated Assembly Time: 30 minutes.

Tools Required for Assembly : Phillips Screwdriver



STEP 13 PULL THE DRAWER OPEN SLOWLY AND RE-TIGHTEN THE SCREWS FROM STEP 11. MAKE SURE THE FRONT PANEL DOES NOT MOVE AND LOCK THE DRAWER FRONT PANEL INTO POSITION WITH 3/4" FLAT HEAD SCREWS.

STEP 14 SLIDE THE DRAWERS INTO UNIT.