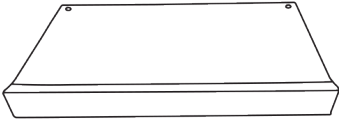
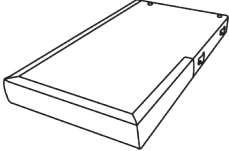
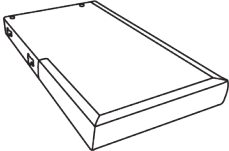
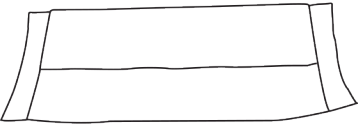

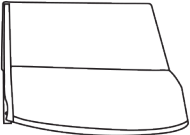
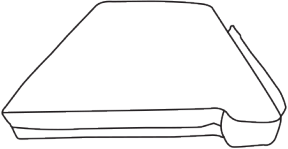
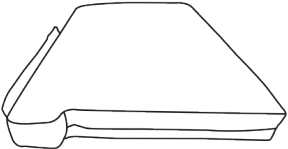

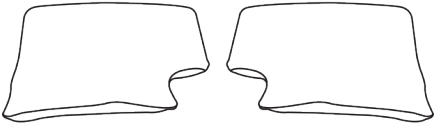
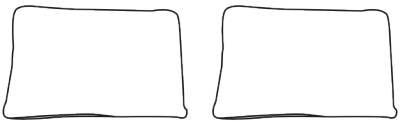
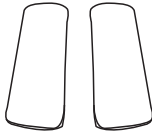
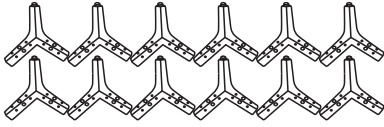
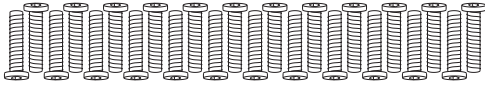
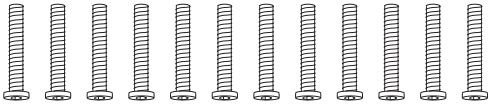
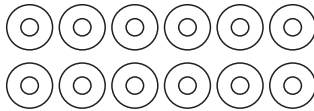

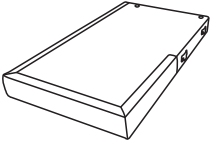
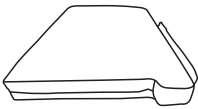

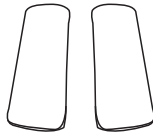
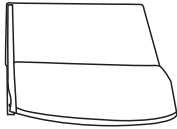


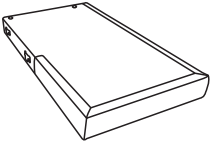
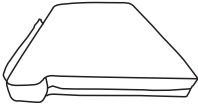


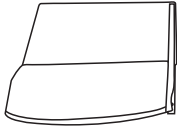
Assembly Instruction

NOTICE: This product is vacuum packed, there will be a little wrinkle when it is just disassembled, which is normal and will recover naturally. If you want to restore the original state faster, you can use heating, such as drying in the sun, hair dryer, electric iron and so on

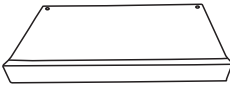


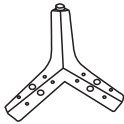





NO	PARTS	QTY
A		1 PC
B		1 PC
C		1 PC
D		1 PC
E		1 PC
F		1 PC
G		1 PC
H		1 PC
I		2 PCS
J		2 PCS
K		2 PCS

NO	PARTS	QTY
L		2 PCS
M		12 PCS
N		24 PCS
O		12 PCS
P		12 PCS
Q		1 PC

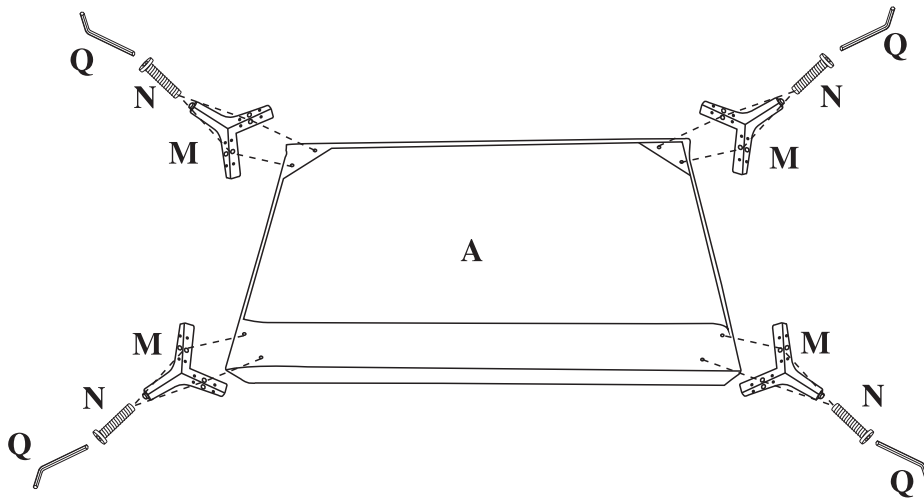
Pasts List(BOX A)									
B		G		J		L		F	
1PC	1PC	1PC	2PCS	1PC					

Pasts List(BOX B)									
C		H		I		J		E	
1PC	1PC	1PC	1PC	1PC					

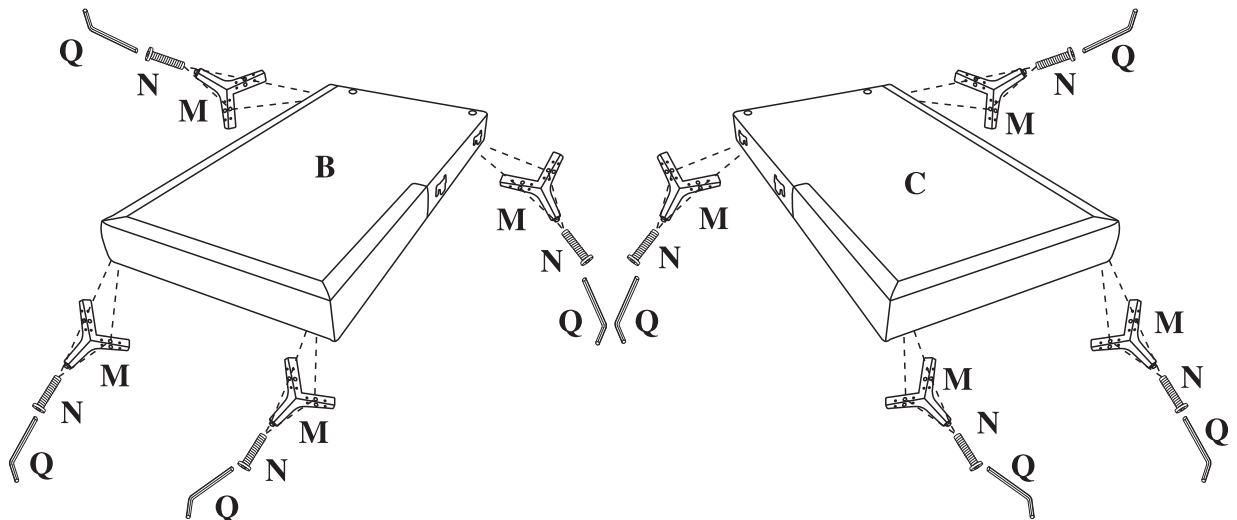
Pasts List(BOX C)

<p>A</p> 	<p>I</p> 	<p>K</p> 	<p>M</p> 	<p>D</p> 
<p>1PC</p>	<p>1PC</p>	<p>2PCS</p>	<p>12PCS</p>	<p>1PC</p>
<p>N</p>  <p>φ 8*20mm</p>	<p>O</p>  <p>φ 8*60mm</p>	<p>P</p> 	<p>Q</p>  <p>M6</p>	
<p>24PCS</p>	<p>12PCS</p>	<p>12PCS</p>	<p>1PC</p>	

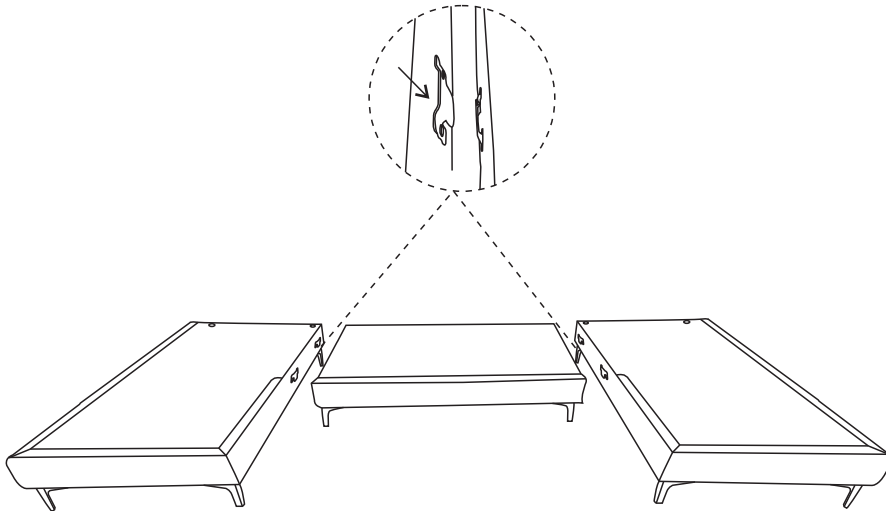
STEP 1



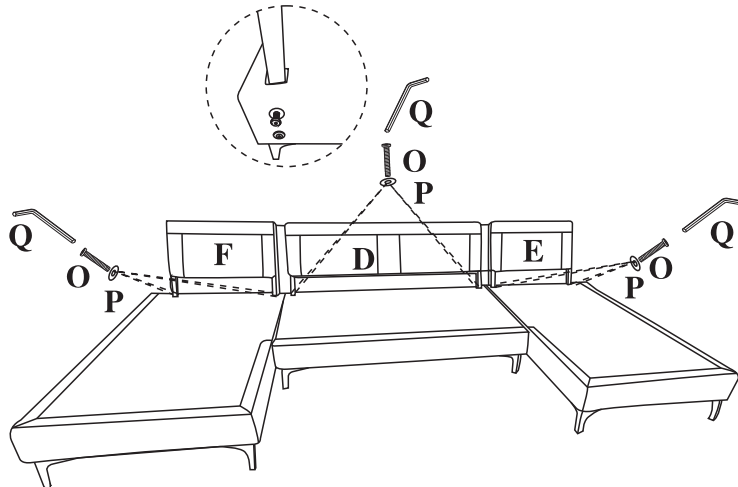
STEP 2



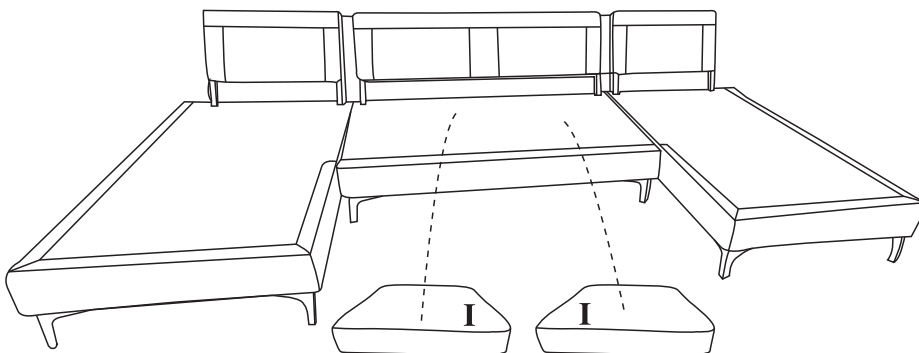
STEP 3



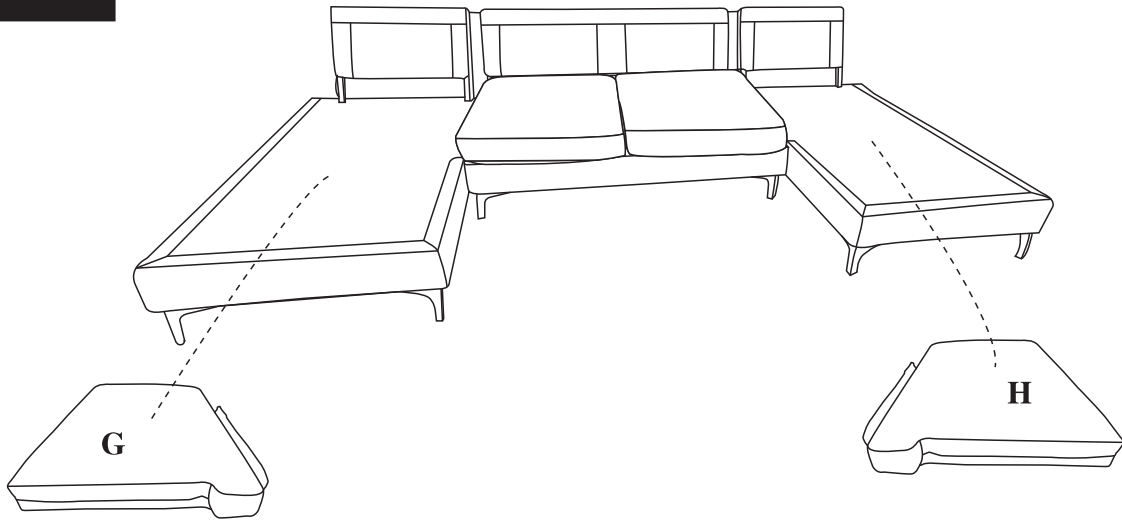
STEP 4



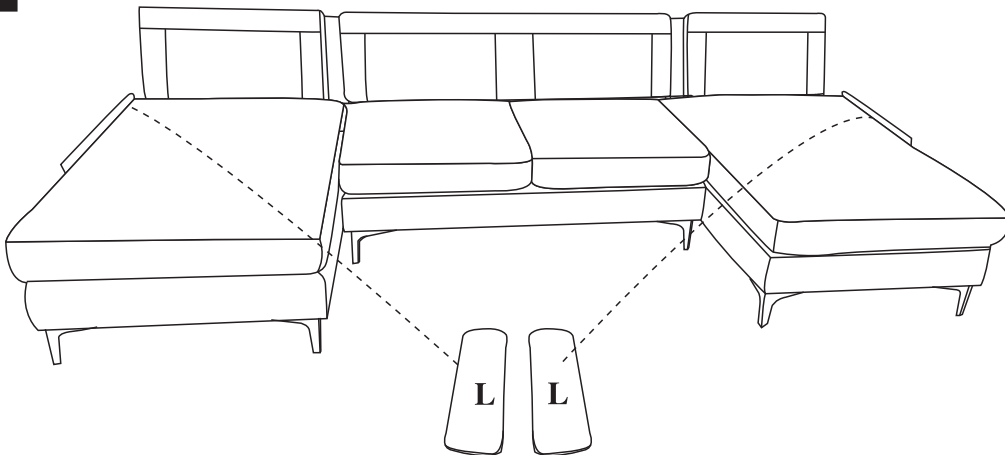
STEP 5



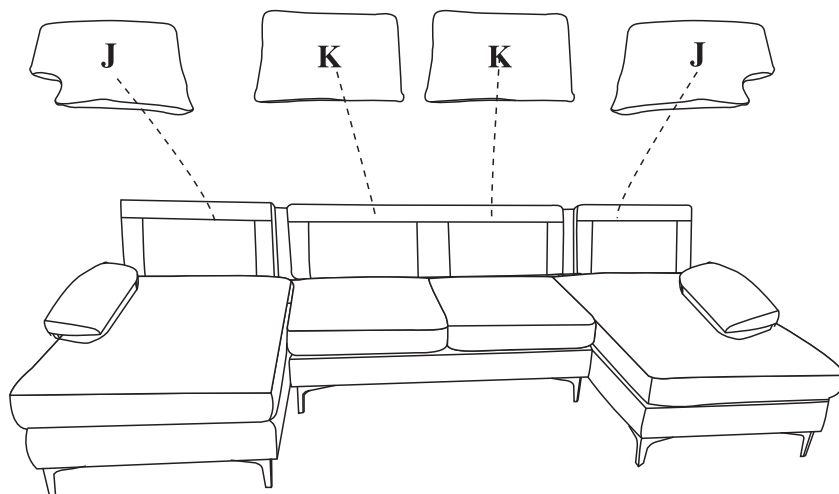
STEP 6



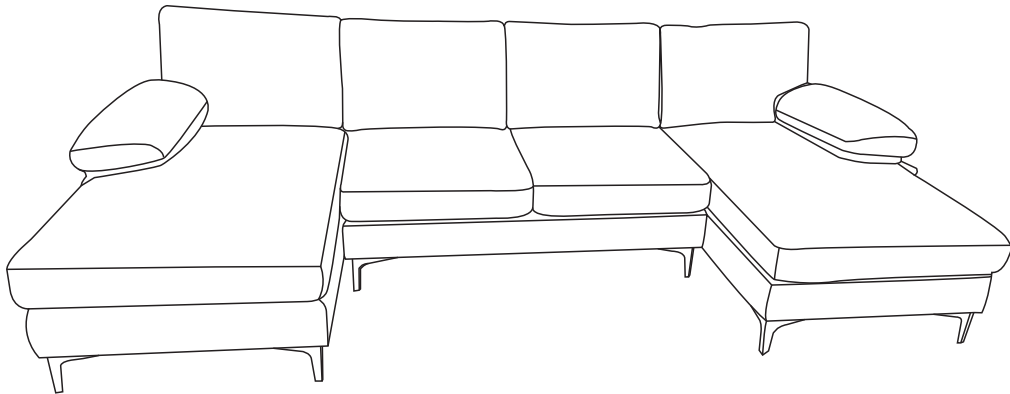
STEP 7



STEP 8



STEP 9



ATTENTION:

1. Please check the manual carefully and make sure you have received all the parts.
2. If there is any missing, please let us know the letter of the parts you need.
3. If there is any damage, please send clear photos to us, we will check and offer you best solution soon.