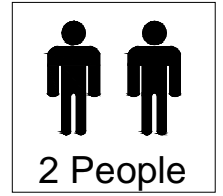
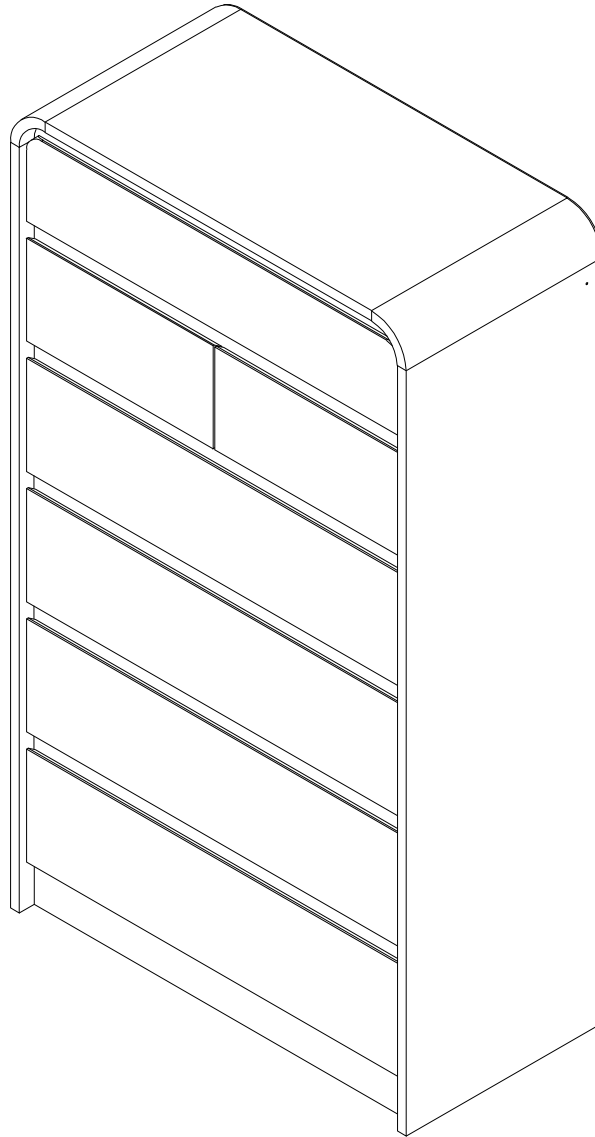
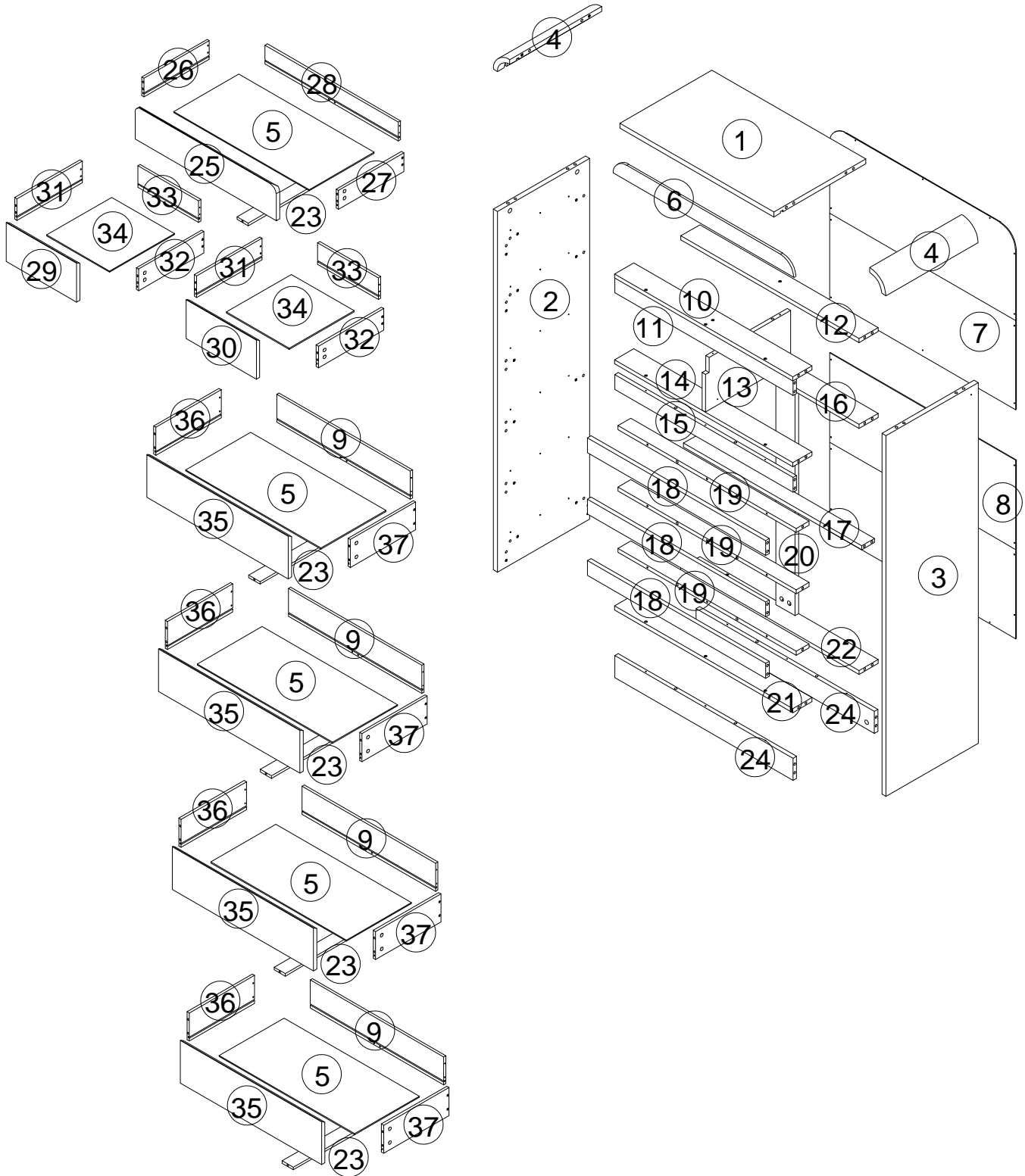


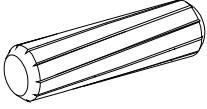
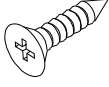
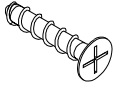

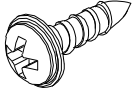

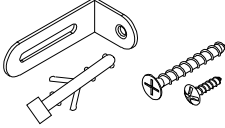
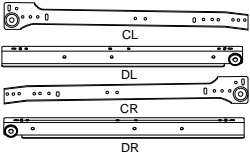
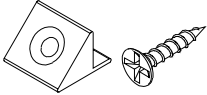
ASSEMBLY INSTRUCTIONS

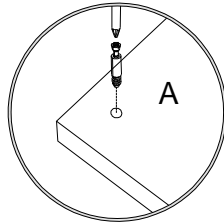




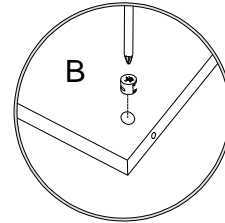
CODE	DESCRIPTION	QTY
1	Top Panel	1
2	Left Side Panel	1
3	Right Side Panel	1
4	Bent Wood Board	2
5	Upper And Lower Drawer Bottom Panel	5
6	Upper Front Strip	1
7	Upper Back Panel	1
8	Lower Back Panel	1
9	Lower Drawer Back Panel	4
13	Middle Vertical Panel	1
20	Back Vertical Panel	1
23	Drawer Bottom Strip	5
25	Upper Drawer Top Panel	1
26	Upper Drawer Left Side Panel	1
27	Upper Drawer Right Side Panel	1
28	Upper Drawer Back Panel	1
31	Middle Drawer Left Side Panel	2
32	Middle Drawer Right Side Panel	2
33	Middle Drawer Back Panel	2
34	Middle Drawer Bottom Panel	2
36	Lower Drawer Left Side Panel	4
37	Lower Drawer Right Side Panel	4

CODE	DESCRIPTION	QTY
10	Upper Front Ruggedized Strip	1
11	Upper Front Strip	1
12	Upper Back Ruggedized Strip	1
14	Middle Front Ruggedized Strip	1
15	Middle Vertical Strip	1
16	Middle Back Ruggedized Strip	1
17	Lower Back Ruggedized Strip	1
18	Lower Front Vertical Panel	3
19	Middle Ruggedized Strip	3
21	Front Bottom Panel	1
22	Rear Bottom Panel	1
24	Front And Back Footboard	2
29	Middle Left Drawer Top Panel	1
30	Middle Right Drawer Top Panel	1
35	Lower Drawer Top Panel	4

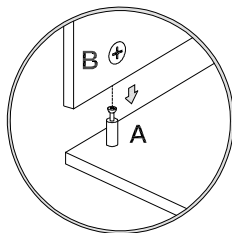
<p>Ø8X30MM</p>  <p>A 60X+2</p>	<p>Ø3X12MM</p>  <p>B 84X+2</p>	<p>Ø4X35MM</p>  <p>C 63X+2</p>	 <p>D 73X+2</p>
<p>Ø3X12MM</p>  <p>F 28X+2</p>	<p>Ø15X10MM</p>  <p>G 73X+2</p>	 <p>H 2X</p>	 <p>L 7X</p>
 <p>M 2X</p>			



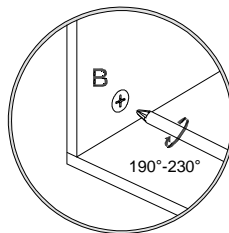
1. Screw cam bolt into panel



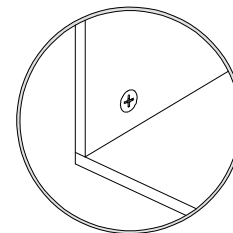
2. Push cam into panel - arrow feature on cam top points to panel edge



3. Align cam bolt(s) with cam(s) and insert all the way into cross-bored hole(s)

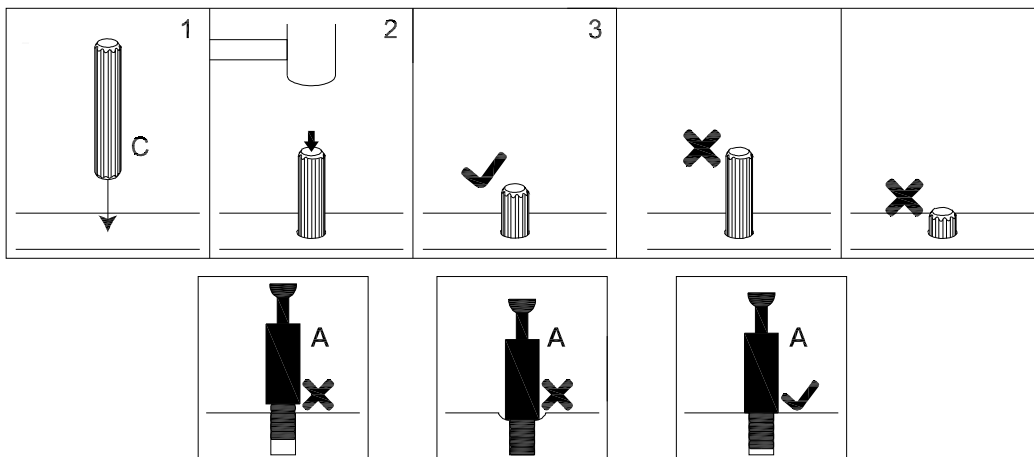


4. Rotate cam(s) clockwise 190°-230° to lock panels together



5. Panels should be tight against each other and connection should be rigid

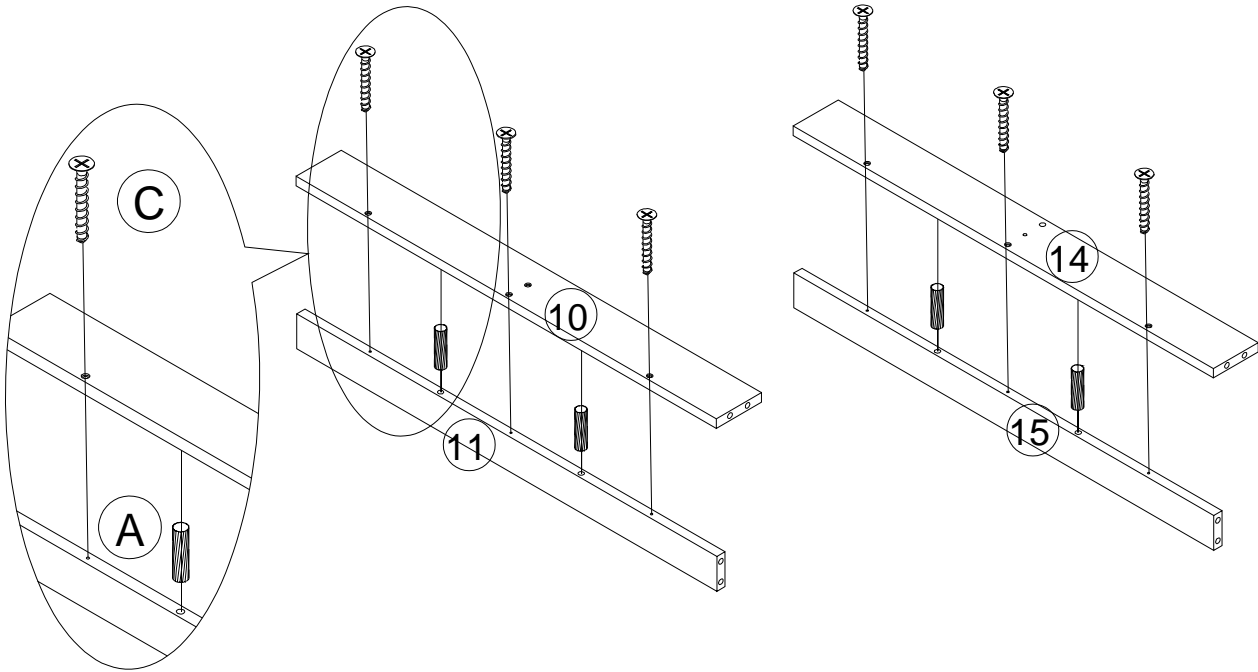
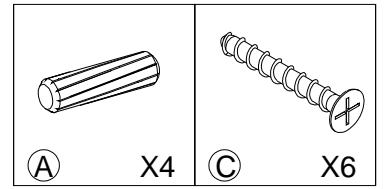
Insert the wood dowel [C] at least half way by tapping lightly with a rubber mallet, IF NECESSARY.



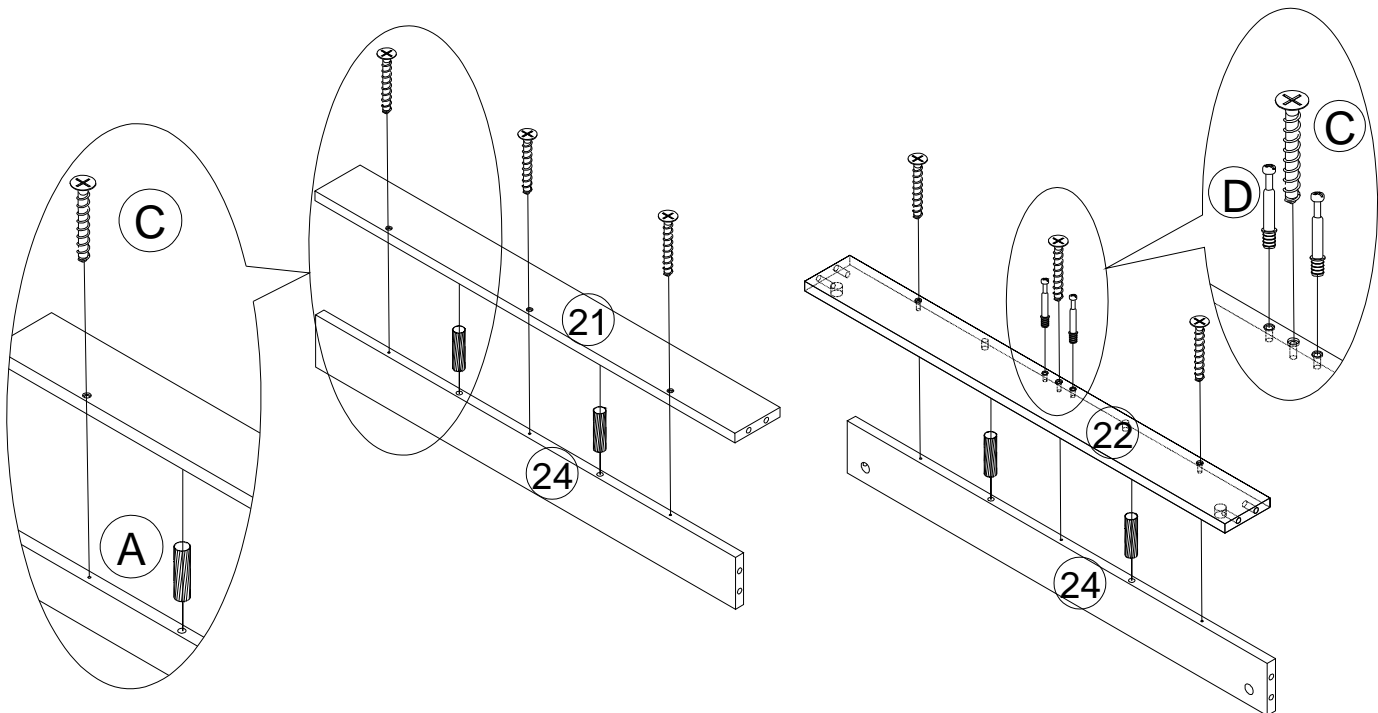
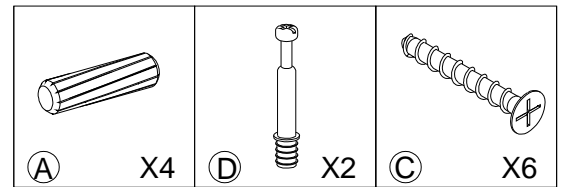
⚠ WARNING

- Unit must be placed on a level surface or leveled with included hardware (when applicable).
- Do not sit or stand on or allow children to climb, sit or stand on the assembled product.
- For safety reasons, it is imperative that this unit be mounted to the wall.
- Do not use without installing the tip restraint.
- Unit can tip over causing severe injury or death.
- Do not exceed the recommended weight limits.
- Evenly distribute the weight on each level and always keep the heavier loads on the bottom.
- Before cutting, drilling or hammering into any wall or floor surface, verify the location of electrical, plumbing and gas lines. Cutting may cause serious injury.

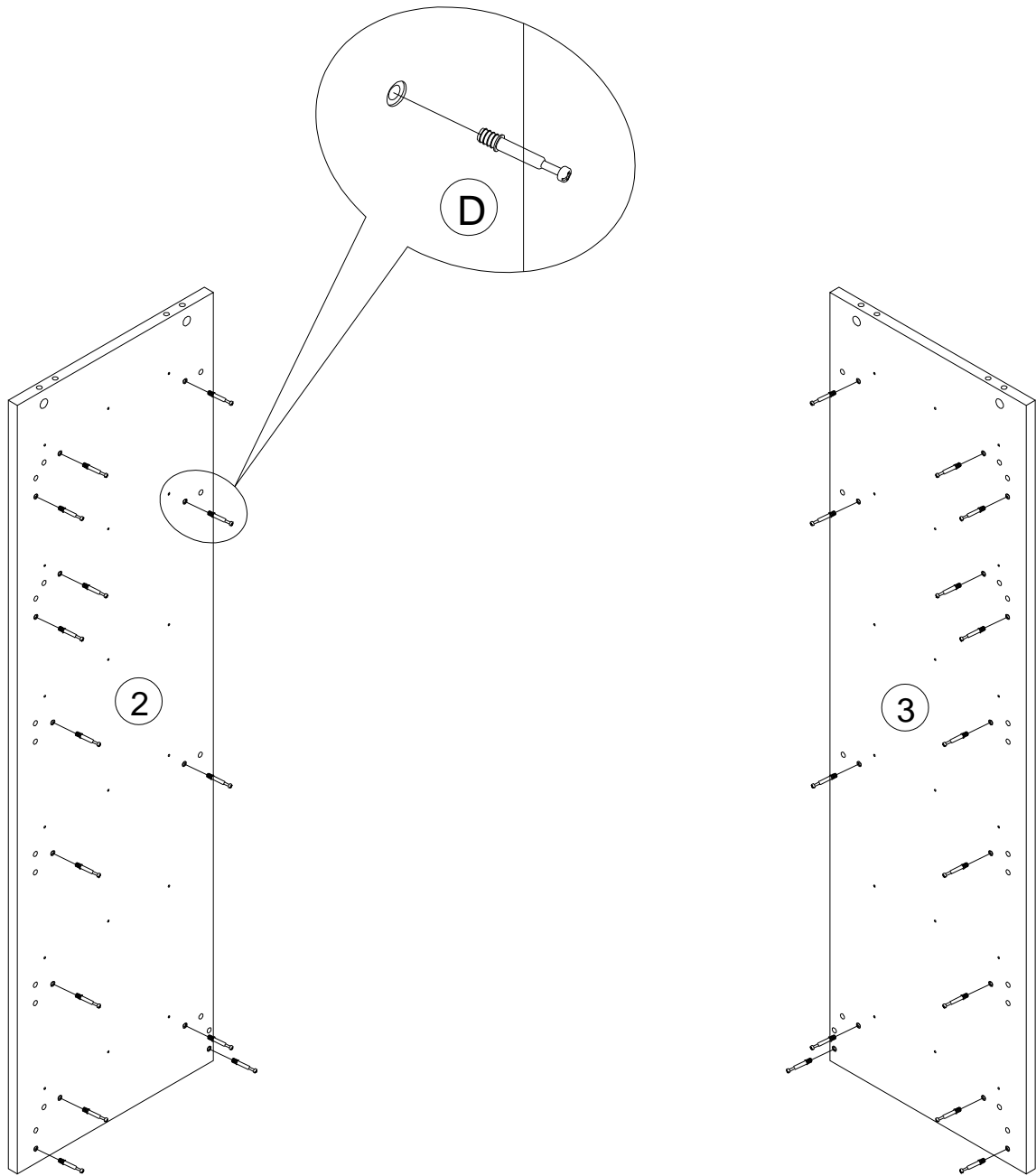
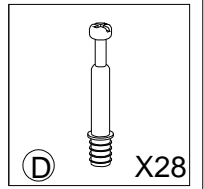
STEP 1



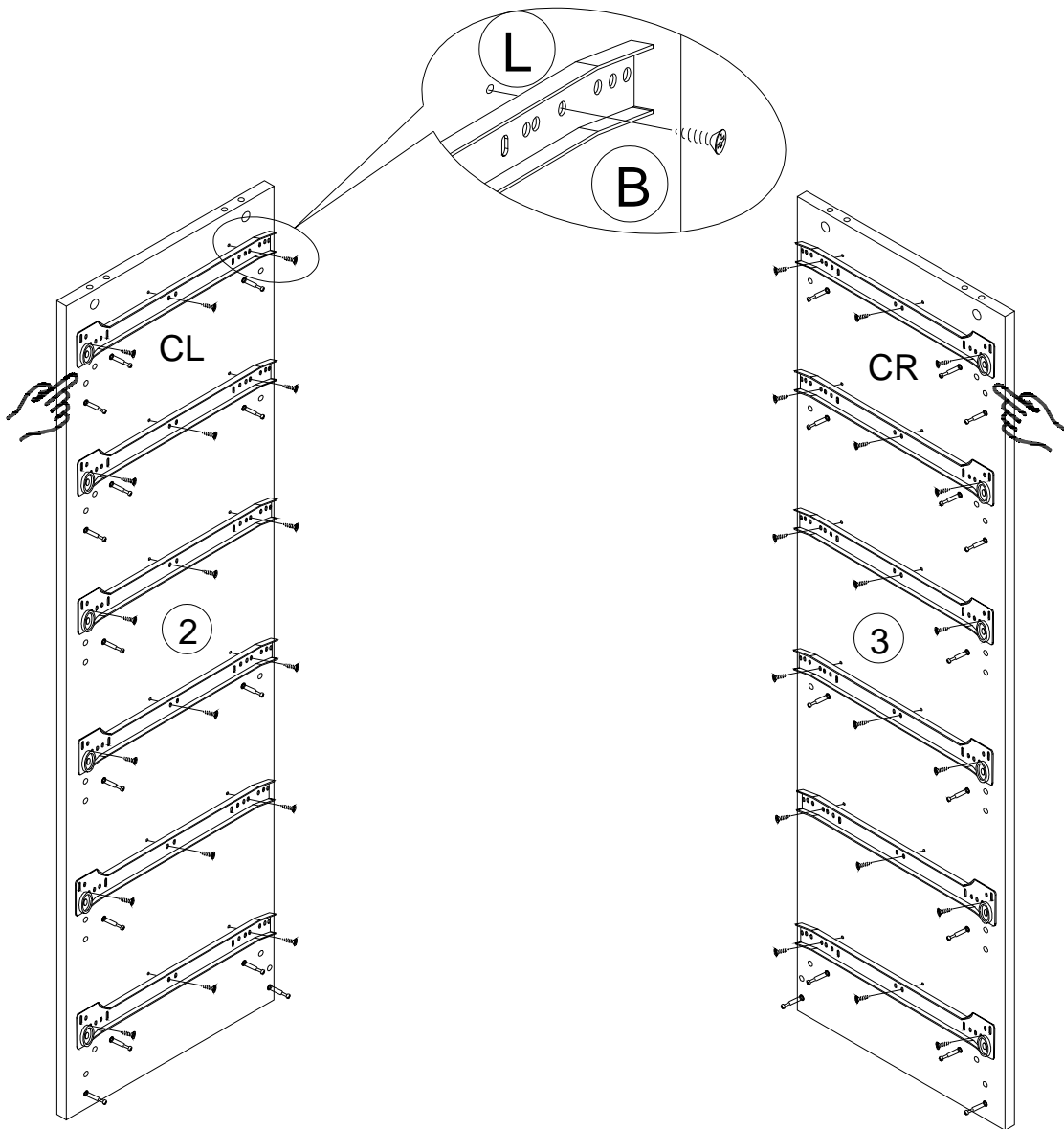
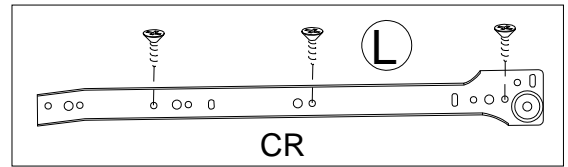
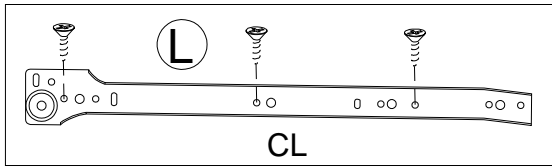
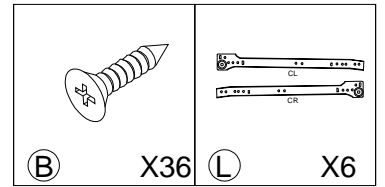
STEP 2



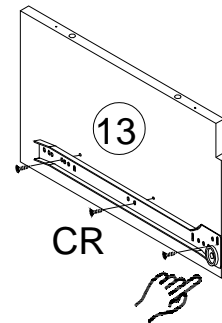
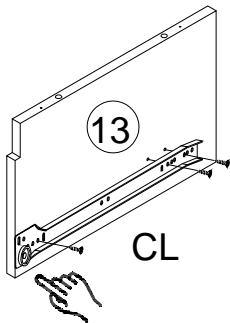
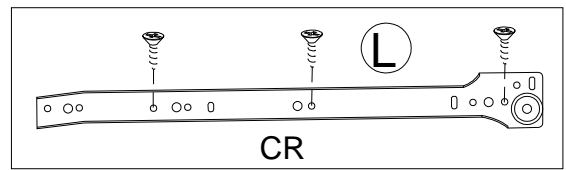
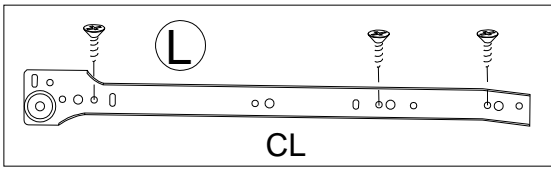
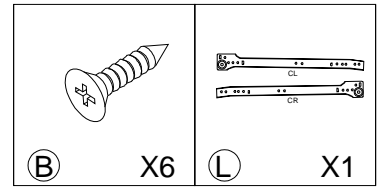
STEP 3



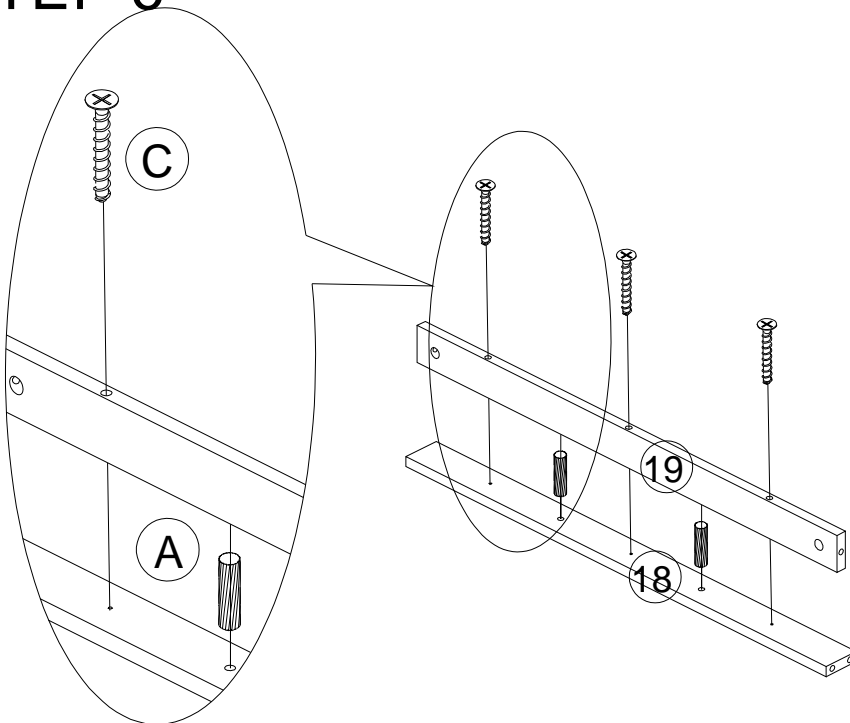
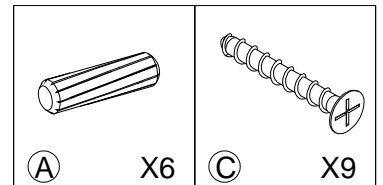
STEP 4



STEP 5

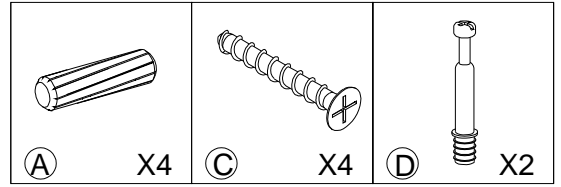
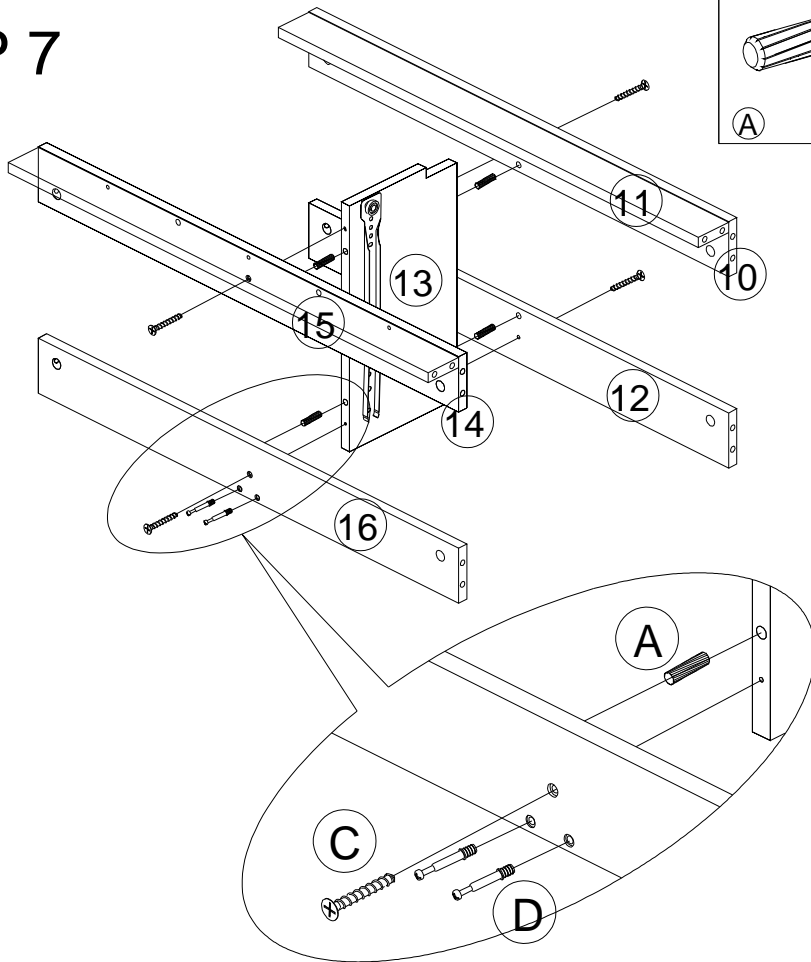


STEP 6

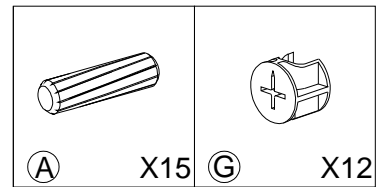
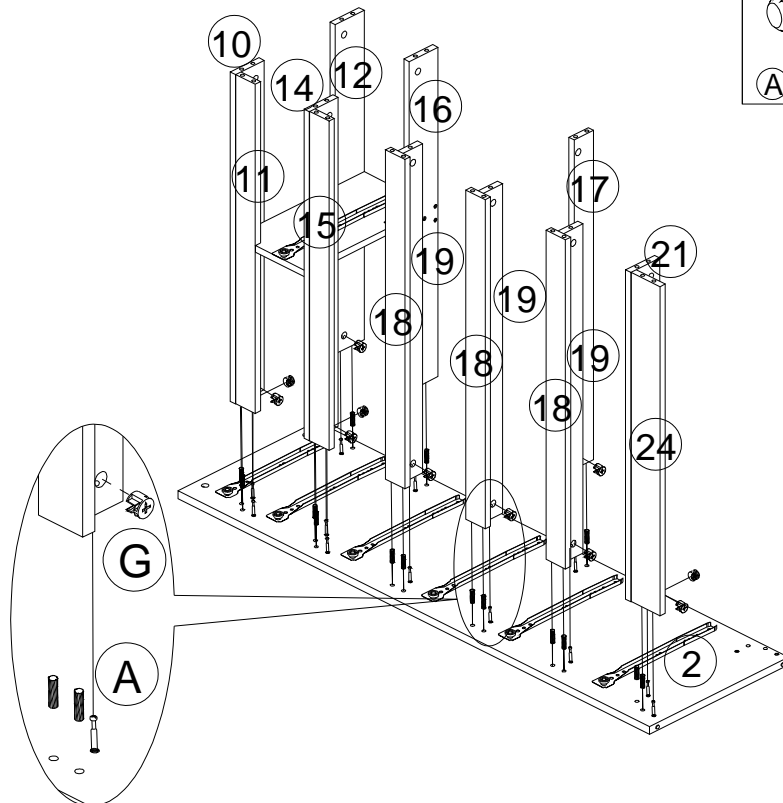
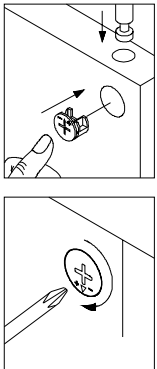


X3

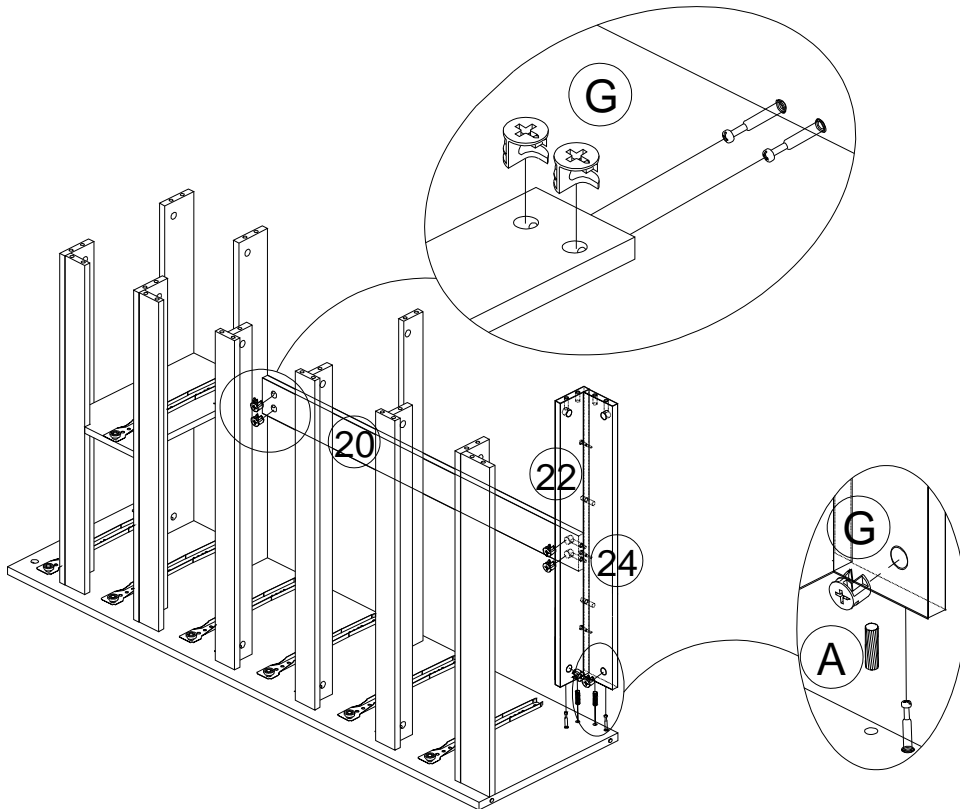
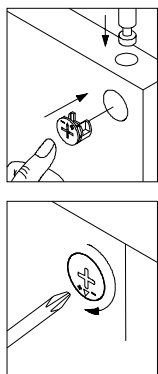
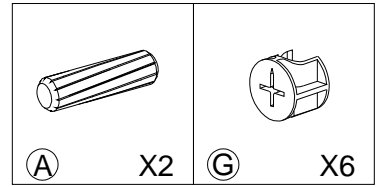
STEP 7



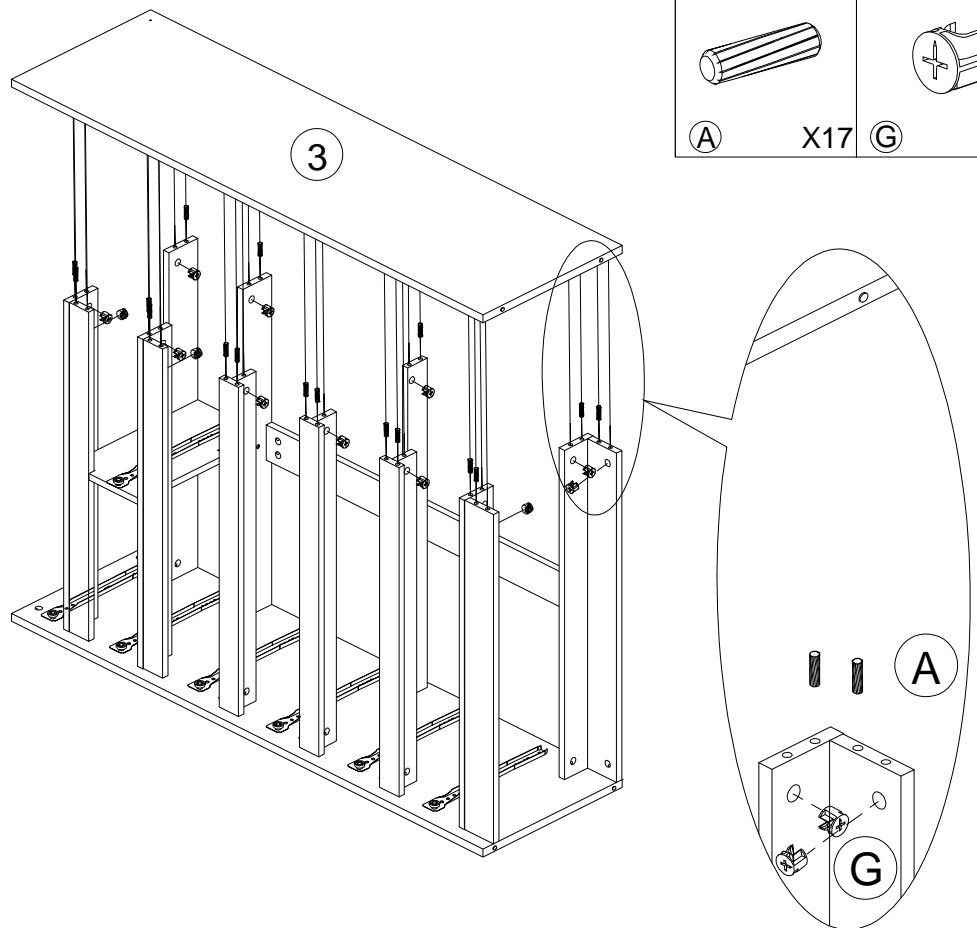
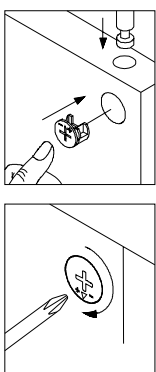
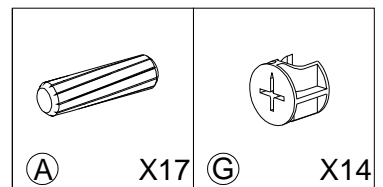
STEP 8



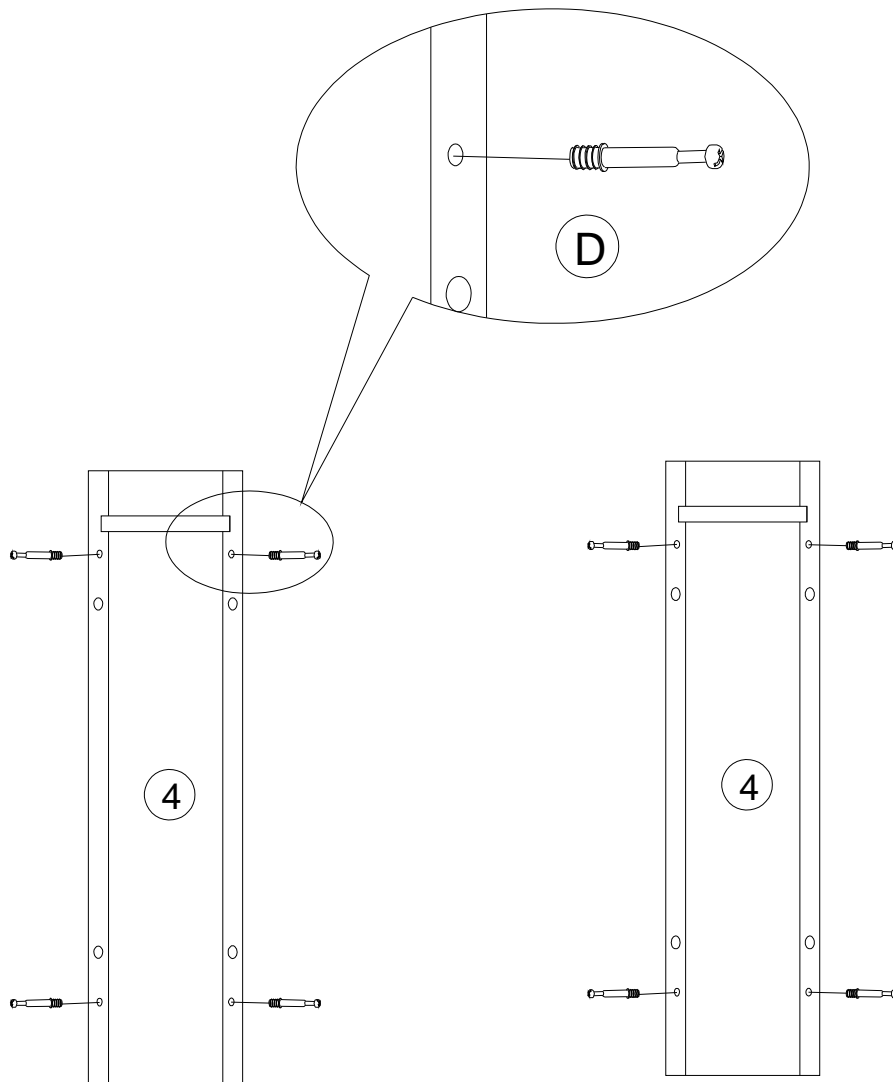
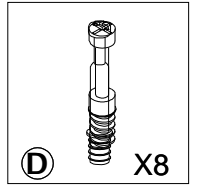
STEP 9



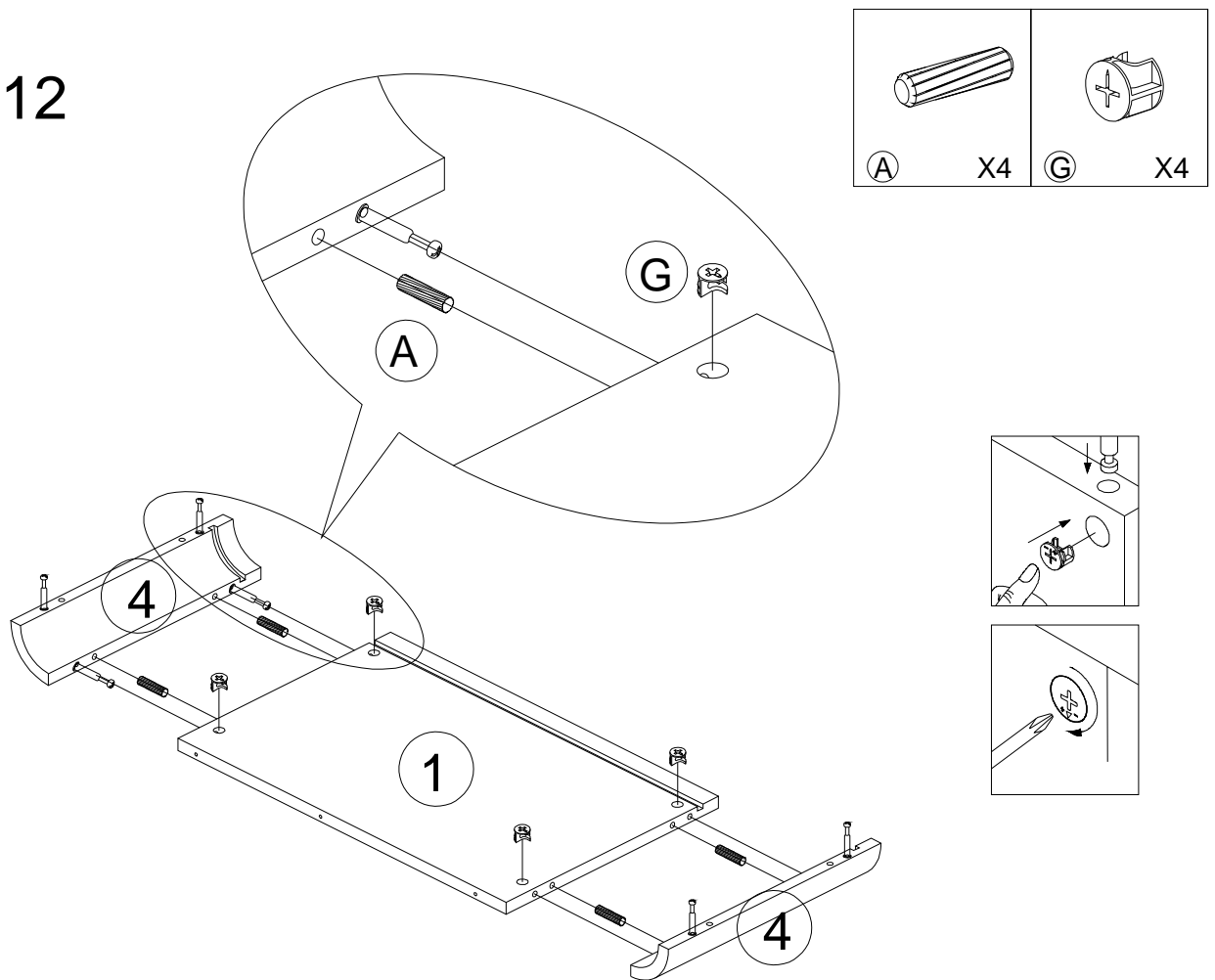
STEP 10



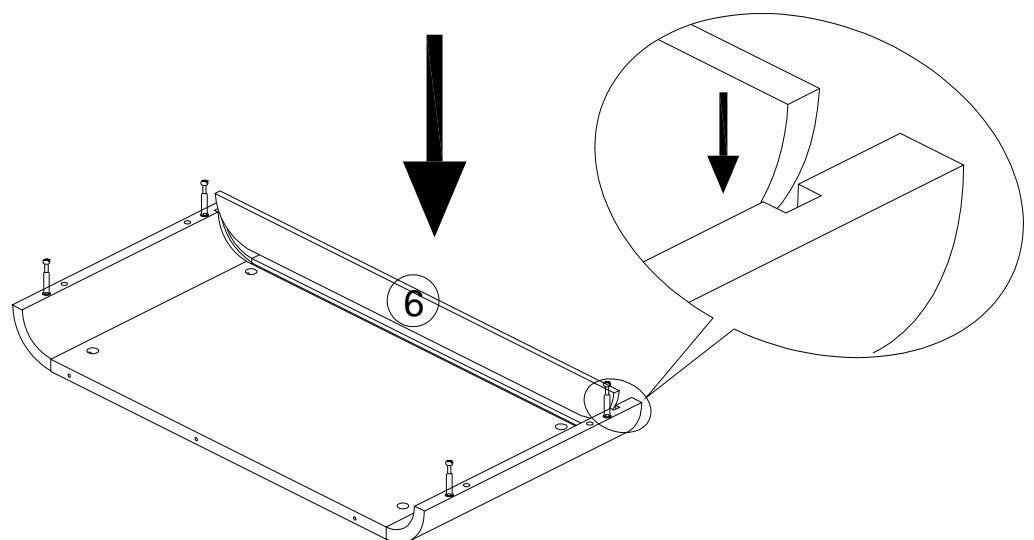
STEP 11



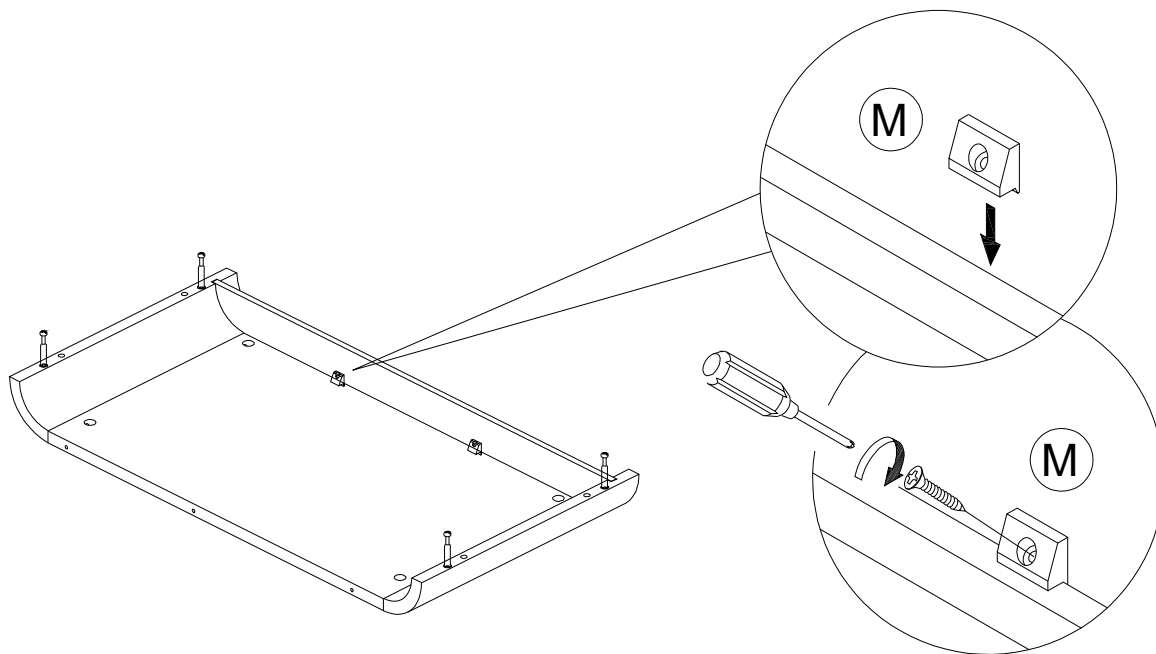
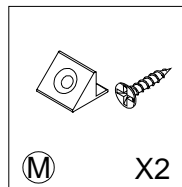
STEP 12



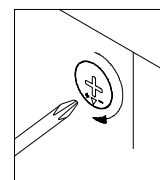
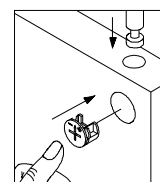
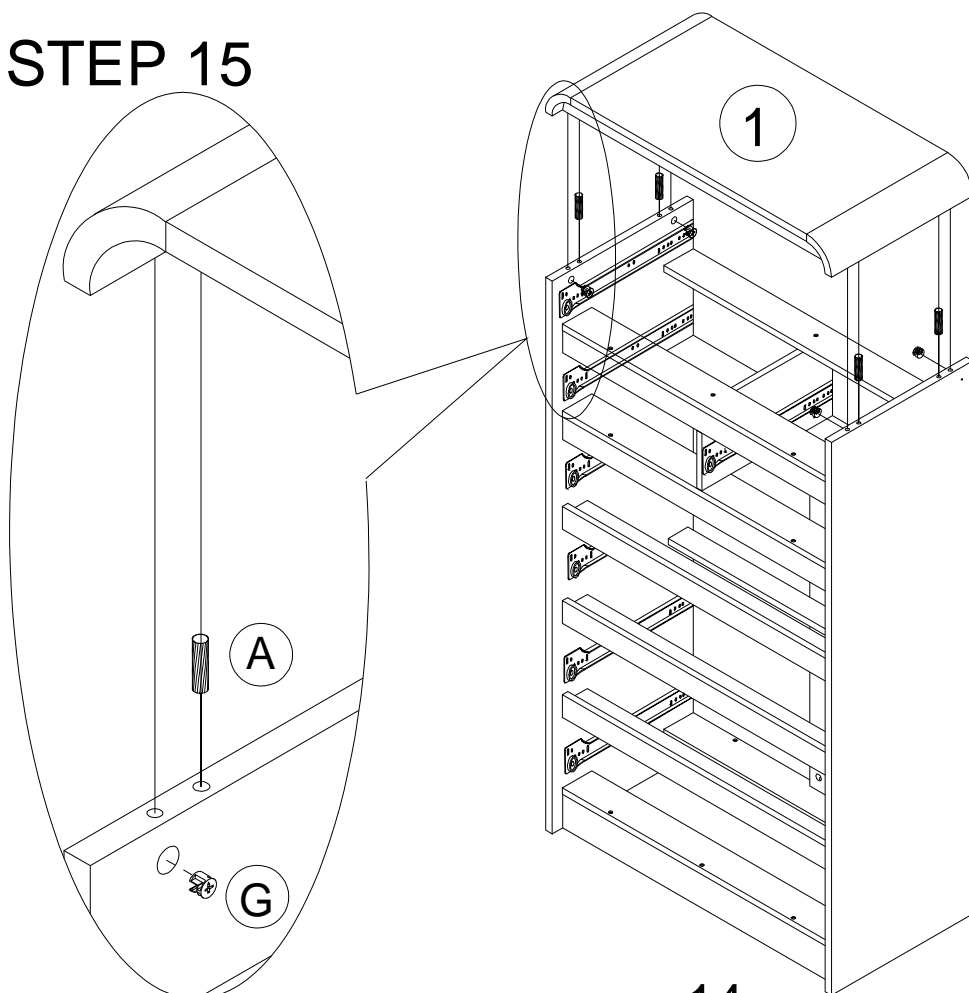
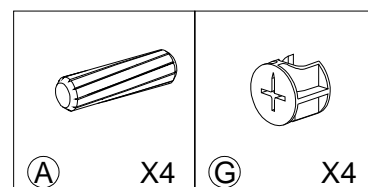
STEP 13



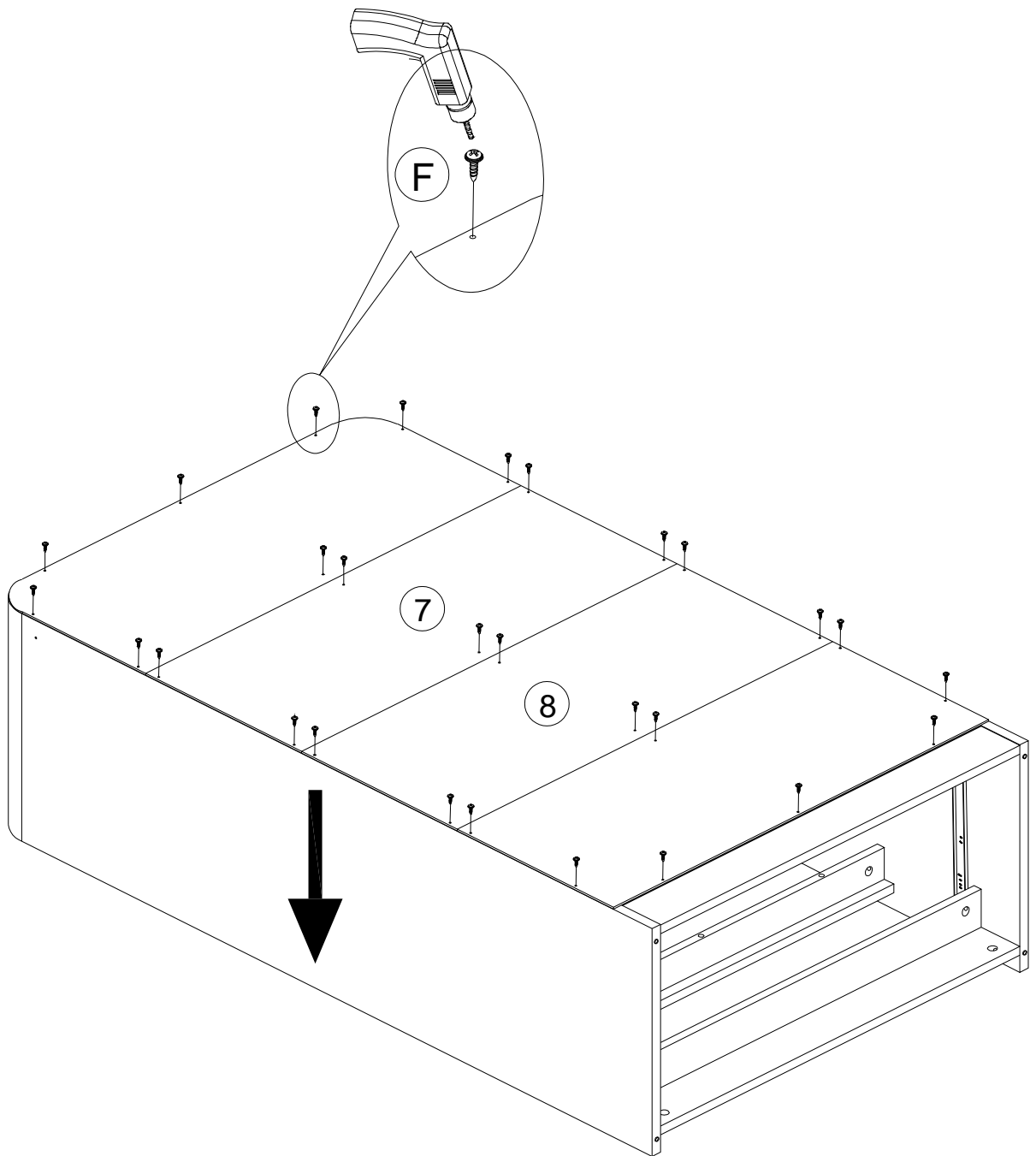
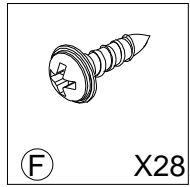
STEP 14



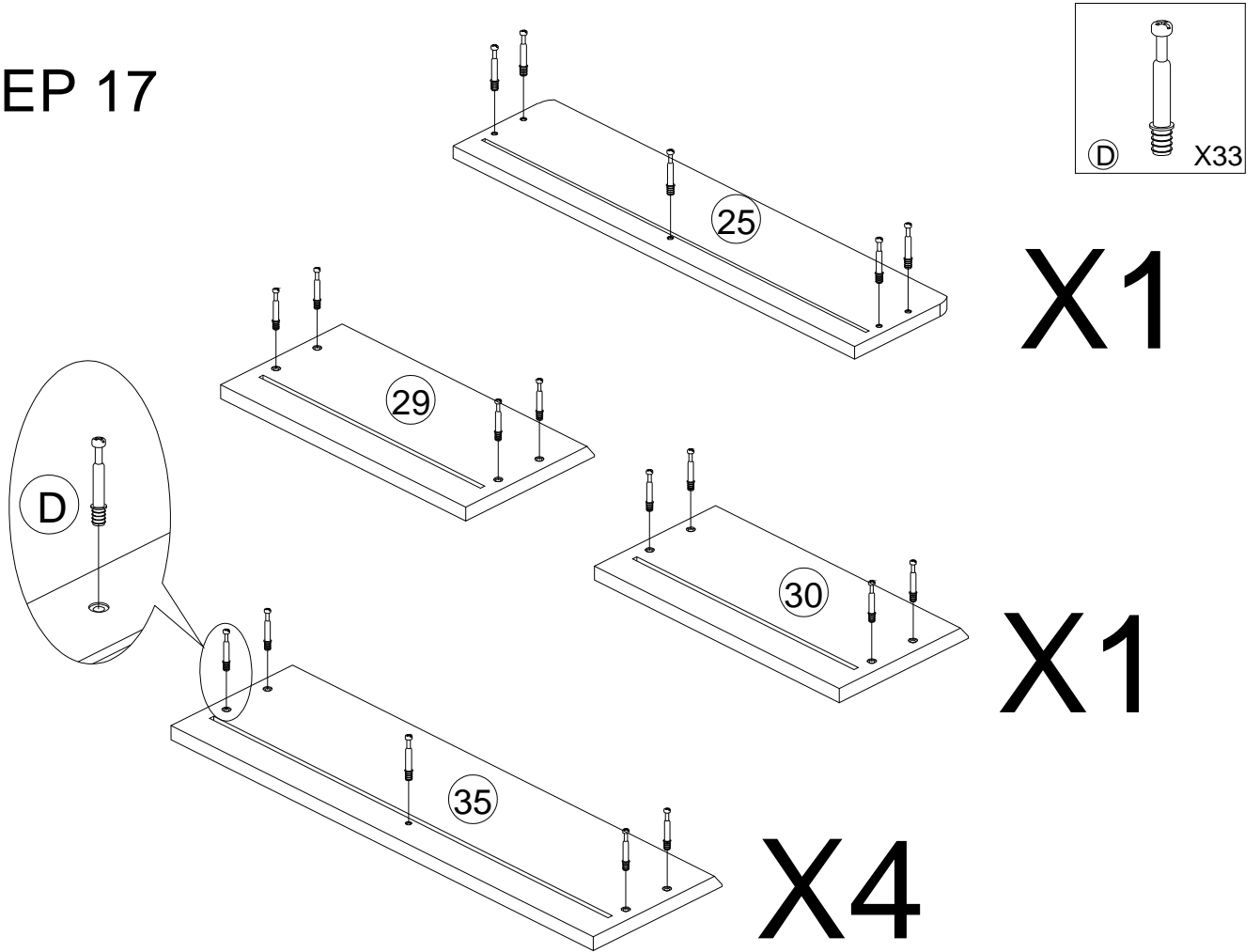
STEP 15



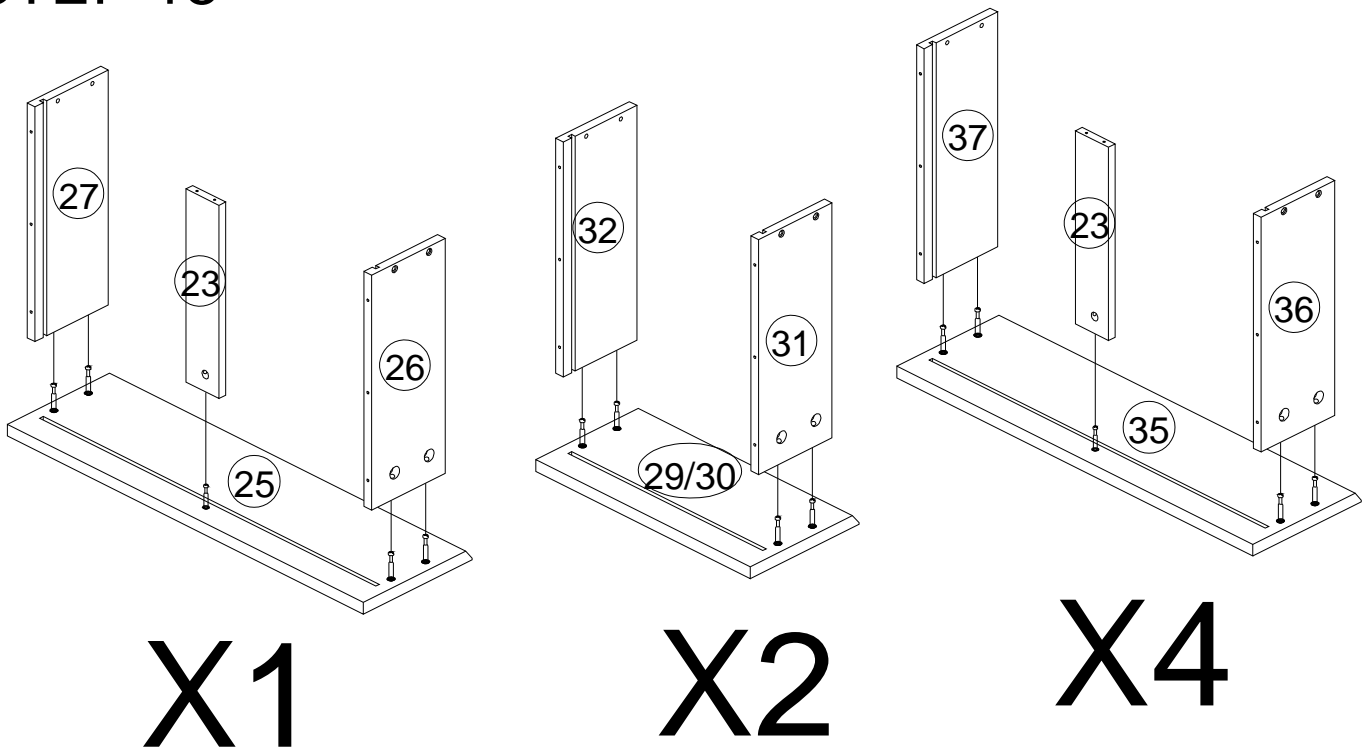
STEP 16



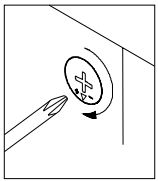
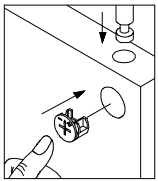
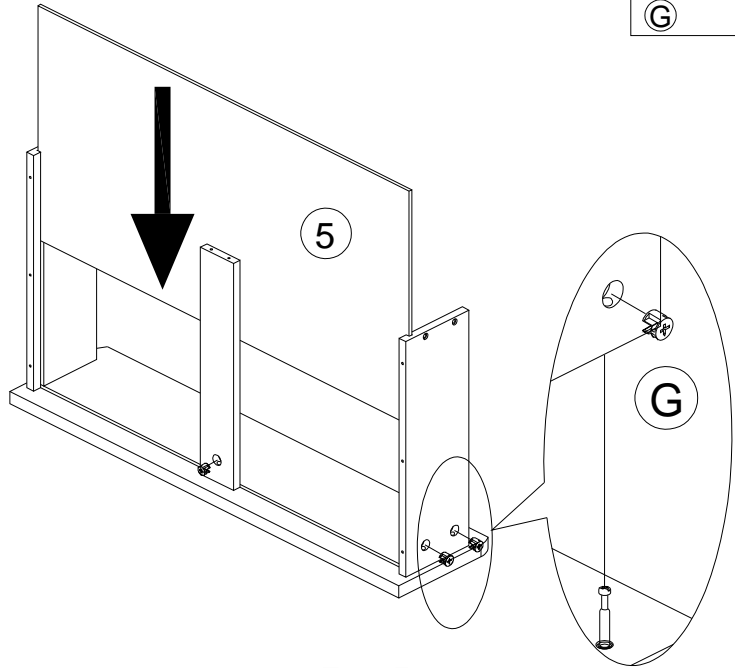
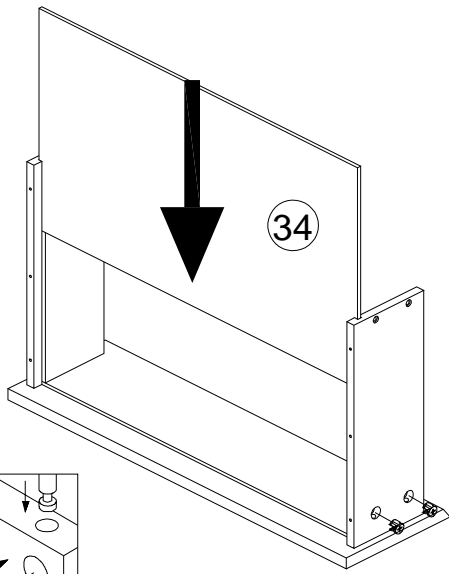
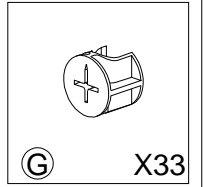
STEP 17



STEP 18



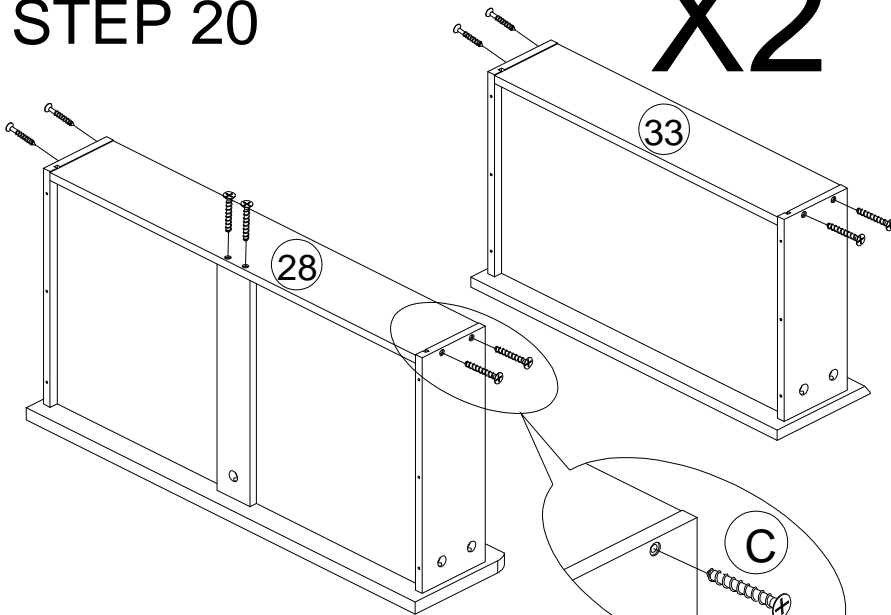
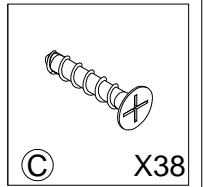
STEP 19



X2

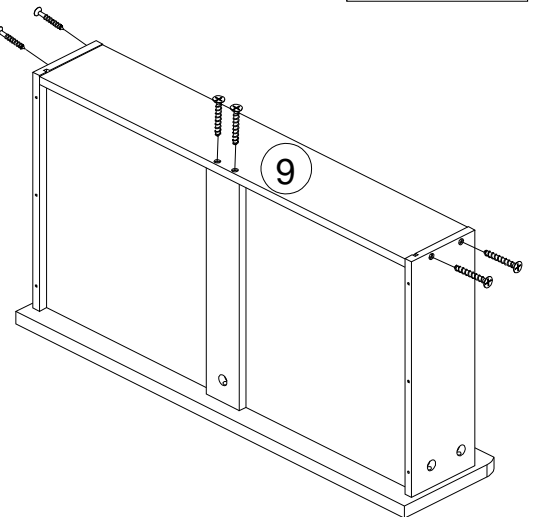
X5

STEP 20



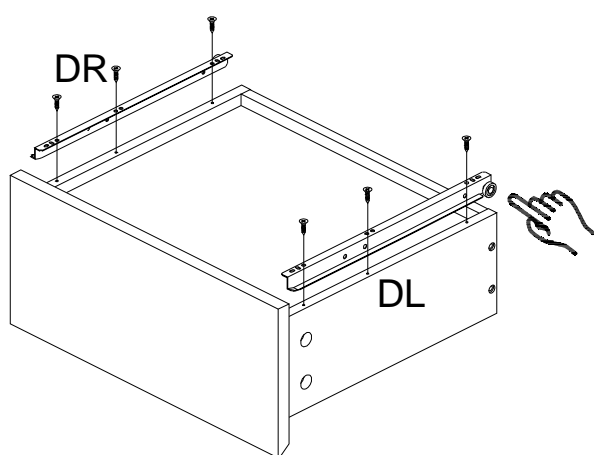
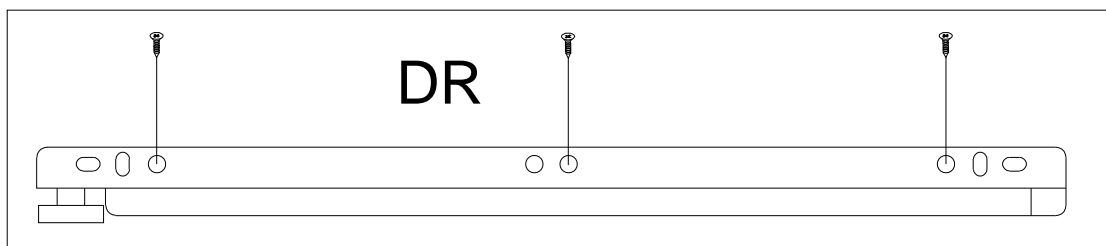
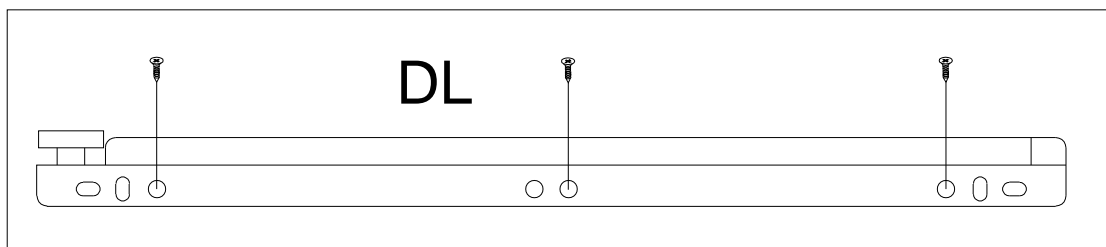
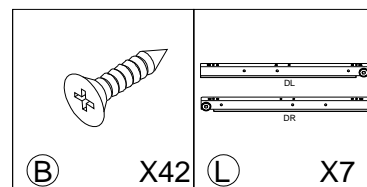
X2

X1

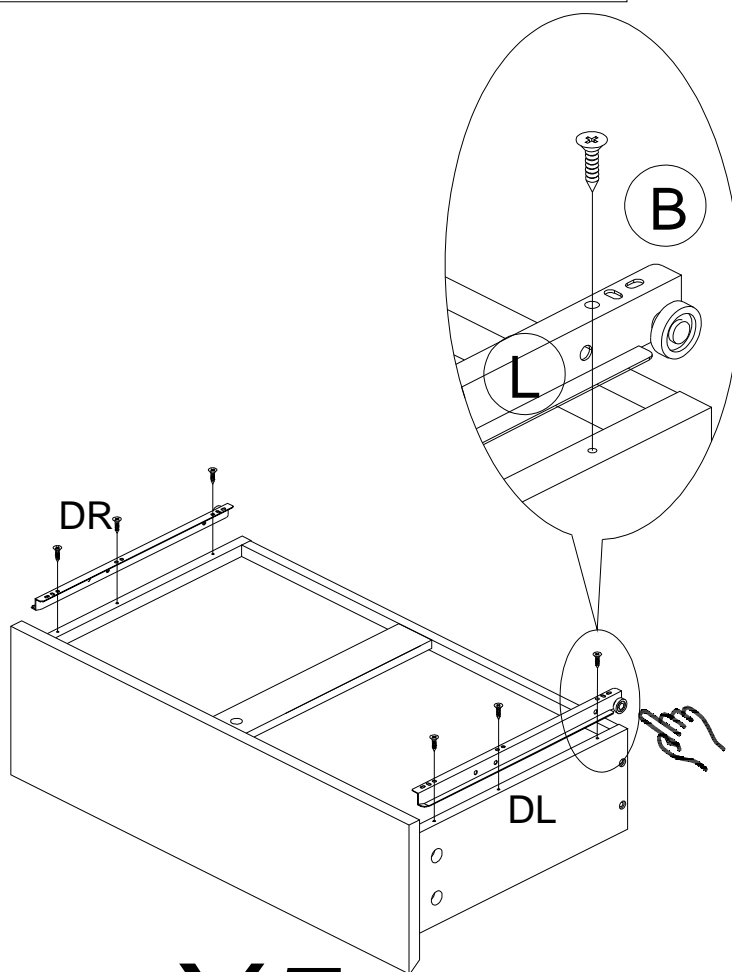


X4

STEP 21

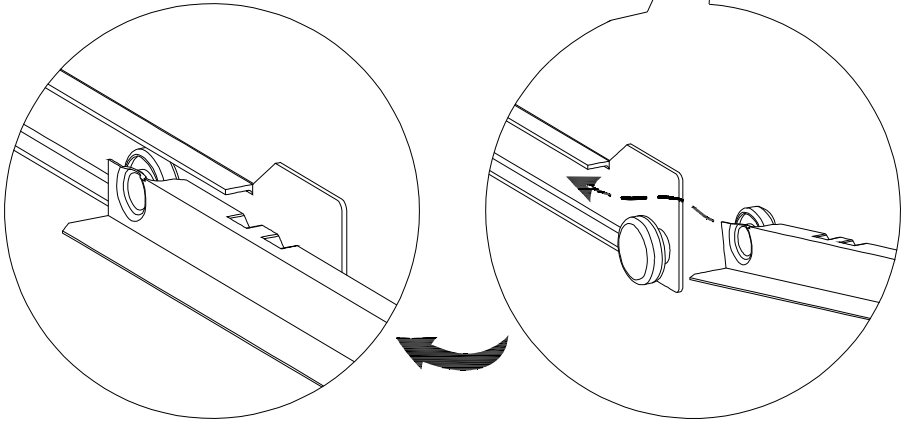
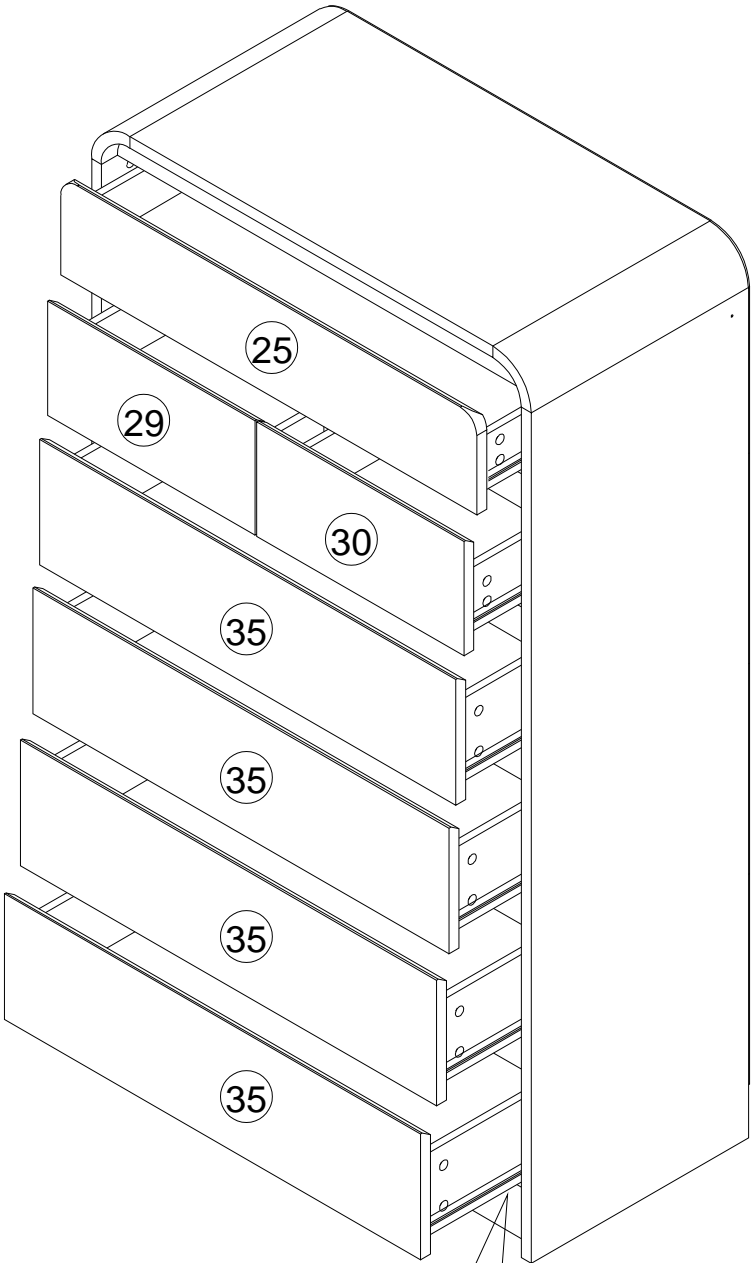


X2

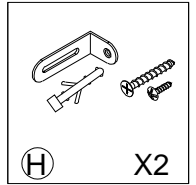


X5

STEP 22



STEP 23



⚠ WARNING	
	Children have died from furniture tipover. To reduce the risk of furniture tipover: <ul style="list-style-type: none">• ALWAYS install anti-tip device provided.• NEVER put a TV on this product.• NEVER allow children to stand, climb or hang on any drawers, doors, or shelves.• NEVER open more than one drawer at a time.• Place heaviest items in the lowest drawers. <p><i>This is a permanent label. Do not remove!</i></p>

