

# ASSEMBLY INSTRUCTIONS

## NIGHTSTAND WITH 3 DRAWERS

**A** Nightstand



1 pc

**B** Leg  
(Under the Nightstand)



4 pcs

**C** Allen Bolt  
Ø5/16" x 55mm



8 pcs

**D** Lock Washer  
Ø5/16"



8 pcs

**E** Flat Washer  
Ø5/16" x 19mm



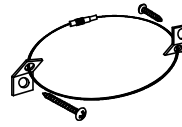
8 pcs

**F** Allen Key  
4mm



1 pc

**G** Anti-Tip Kit

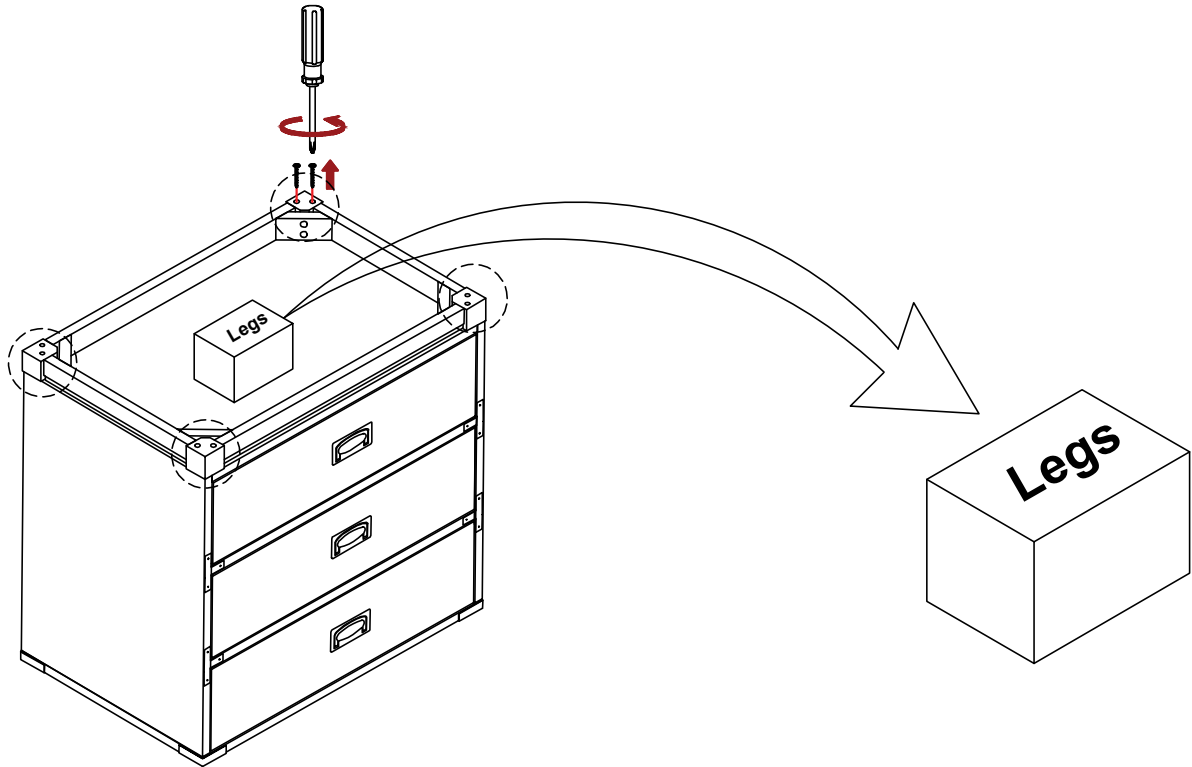


1 set

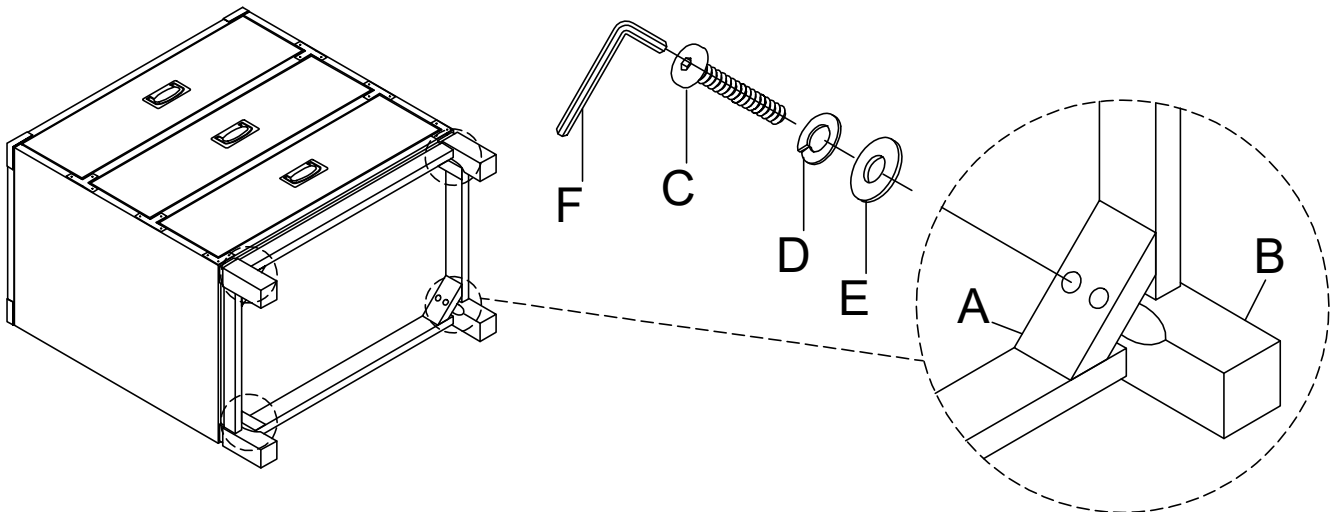


This page lists all the contents included in the box. Please take the time to identify the hardware as well as the individual components to this product. As you unpack and prepare for assembly, place the contents on a carpeted or padded area to protect them from damage.

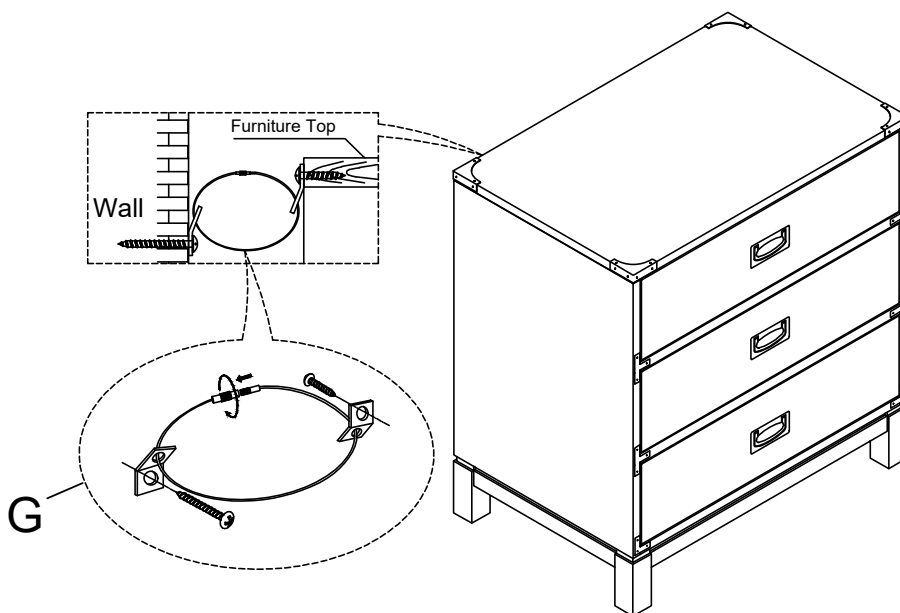
**1** Loosen the screws and remove the wood blocks. Take out the Leg box from the bottom of the Nightstand (A).



**2** Attach the Leg (B) to the Nightstand (A) using Allen Bolt (C), Lock Washer (D) and Flat Washer (E) with the Allen Key (F).



**3** Attach the bracket of the Anti-Tip Kit (G) to the wall using the long screw. Position the furniture in place and attach the other bracket with the short screw to the back edge of the unit top, aligning it with the bracket on the wall. Insert the male end of the steel cable through each bracket. Securely connect both ends by turning the female connector clockwise.



### Cleaning & Care

Treat surfaces with care. Surfaces are resistant to scratches but are not scratch resistant. Clean surfaces with a dry or damp soft cloth. Do not use abrasive cleaners. Hardware may loosen over time. Periodically check that all connections are tight.