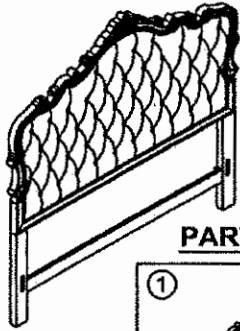


ASSEMBLY INSTRUCTION

DESCRIPTION: QUEEN HEADBOARD

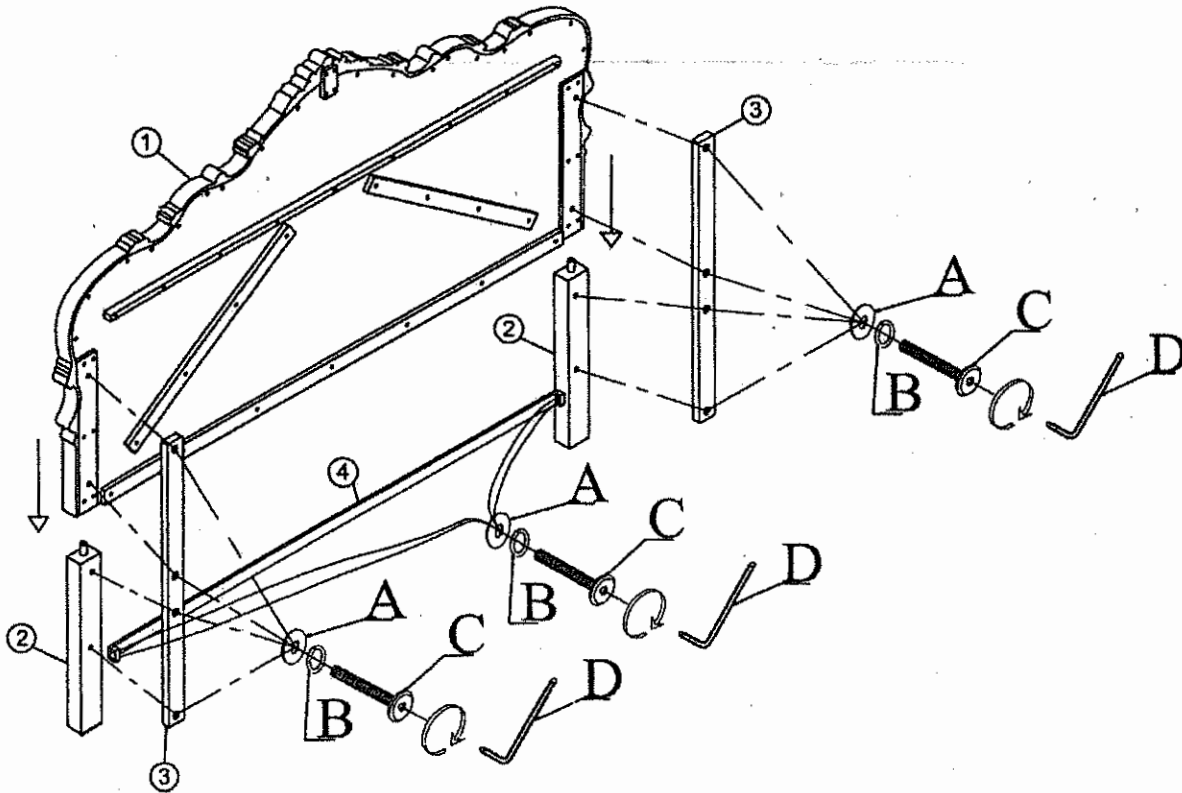
Thank you for purchasing this quality product. Be sure to check all packing materials carefully for small parts, which may have come loose inside the carton during shipment. Identify and count all parts and compare with the parts list below



HARDWARE LIST			
NO.	Drawing	Description	Q'ty
A		Flat washer (5/16"x19mm)	12pcs
B		Spring washer (5/16")	12pcs
C		Bolt (Φ5/16"×1-1/2")	12pcs
D		Allen wrench (5mm)	1pc

PARTS LIST:

①	② LEFT POST RIGHT POST	③	④
HEADBOARD: 1PC	POST-LEG: 2PCS	WOOD SUPPORT: 2PCS	HEAD BOARD SLAT: 1PC



CLEANING INSTRUCTION

Clean the Queen headboard surface with a furniture polish and a soft cloth.

Made in VietNam

ASSEMBLY INSTRUCTION

DESCRIPTION: QUEEN BED

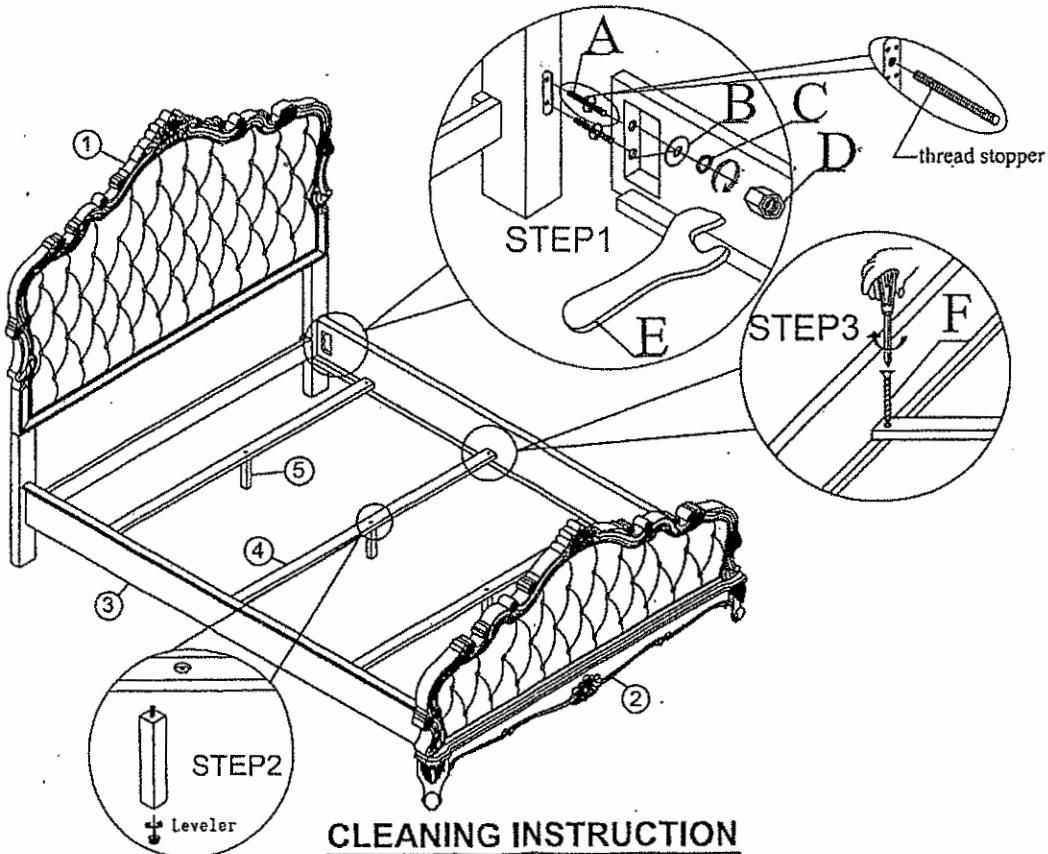
Thank you for purchasing this quality product. Be sure to check all packing materials carefully for small parts, which may have come loose inside the carton during shipment. Identify and count all parts and compare with the parts list below.



HARDWARE LIST			
NO.	Drawing	Description	Qty
A		Threaded Bolt (Ø5/16"x3-1/2")	8pcs
B		Flat washer (Ø5/16"x19mm)	8pcs
C		Spring washer (Ø5/16")	8pcs
D		Hex Nut (Ø5/16")	8pcs
E		Ø5/16" Wrench(12mm)	1pc
F		Wood screw Ø8x1-1/4"	6pcs

PARTS LIST:

①	②	③	④	⑤
HEADBOARD: 1PC	FOOT BOARD: 1PC	SIDE RAIL: 2PCS	SLATS : 3PCS	SUPPOR LEGS : 3PCS



CLEANING INSTRUCTION

Clean the Queen bed surface with a furniture polish and a soft cloth.

Made in VietNam