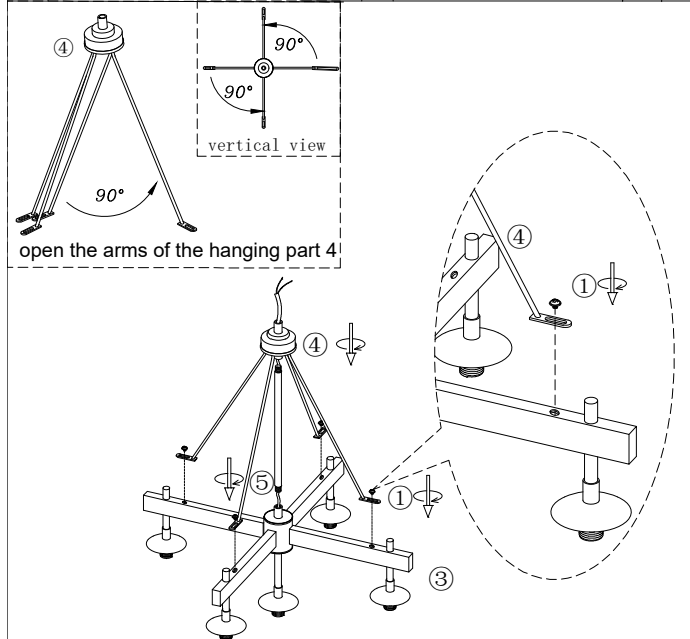
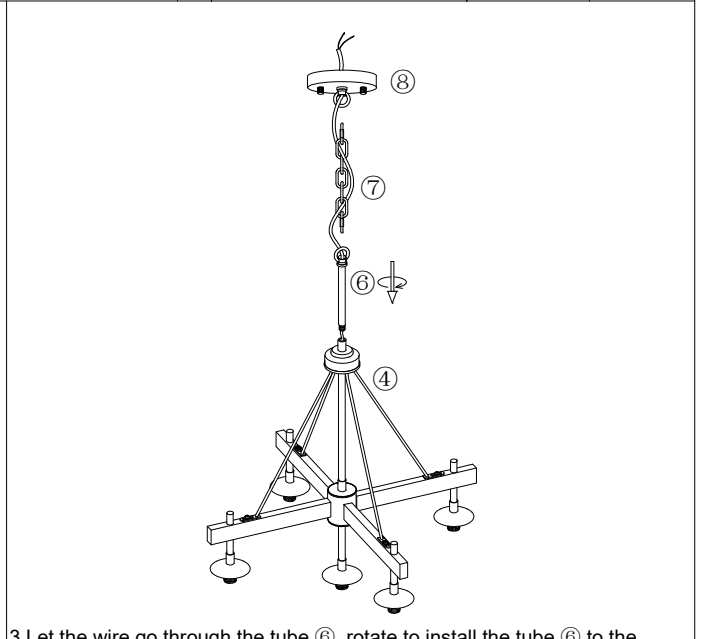


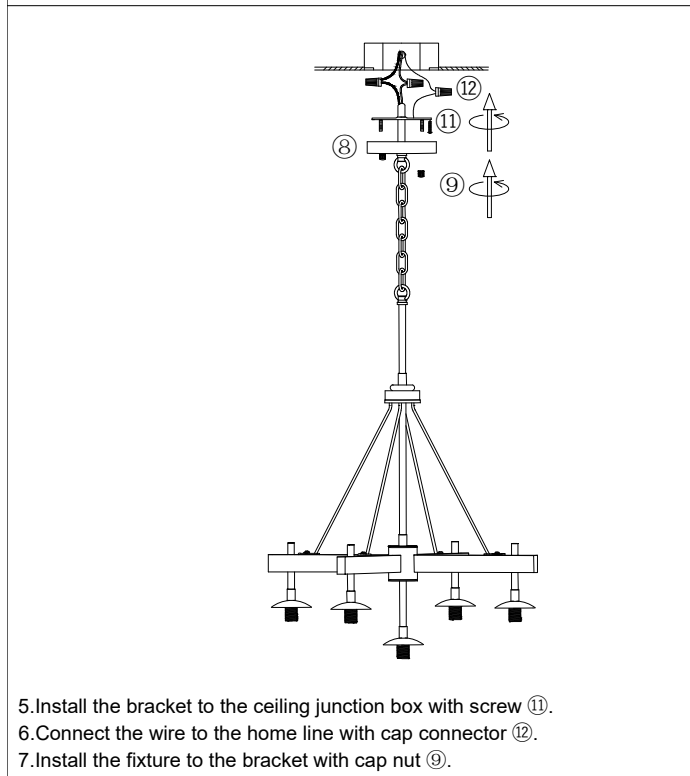
<p>① screw</p> <p>② bulb holder</p> <p>③ light fixture 1pcs</p>	<p>④ hanging part 1pcs</p>	<p>⑤ hanging tube 1pcs</p>	<p>⑧ canopy 1pcs</p> <p>⑨ cap nut 2pcs</p>	<p>⊗ X 1pcs</p> <p>⚡ X 3pcs</p>
		<p>⑥ hanging tube with ring 1pcs</p>		
		<p>⑦ chain 1pcs</p>	<p>⑩ glass lampshade 5pcs</p>	<p>⊗ X 1pcs</p> <p>⚡ X 3pcs</p>
				<p>⚡ X 3pcs</p> <p>⊗ X 3pcs</p>



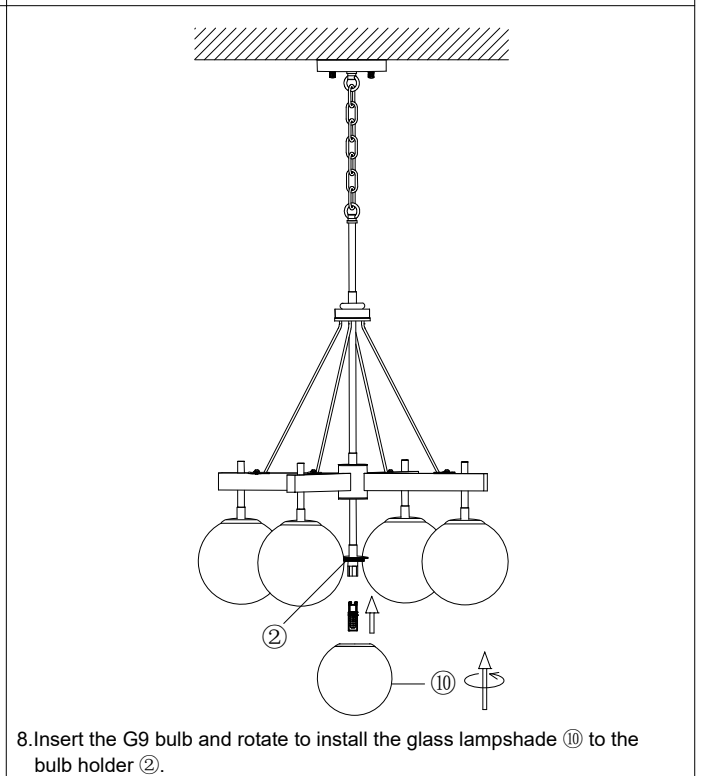
1. Let the wire of the fixture ③ go through the tube ⑤ and hanging part ④, rotate to fasten both parts to the fixture.
2. Install the arms of the hanging part ④ to the fixture with screw ①.



3. Let the wire go through the tube ⑥, rotate to install the tube ⑥ to the fixture.
4. Hang the fixture to the canopy ⑧ with chain ⑦, let the wire go through the chain ⑦ and canopy ⑧.



5. Install the bracket to the ceiling junction box with screw ⑪.
6. Connect the wire to the home line with cap connector ⑫.
7. Install the fixture to the bracket with cap nut ⑨.



8. Insert the G9 bulb and rotate to install the glass lampshade ⑩ to the bulb holder ②.

Please read carefully before installation!!!  
 Note: Please make sure that the electricity is powered off during installation !  
 Only a professional electrician should install this kind of product !