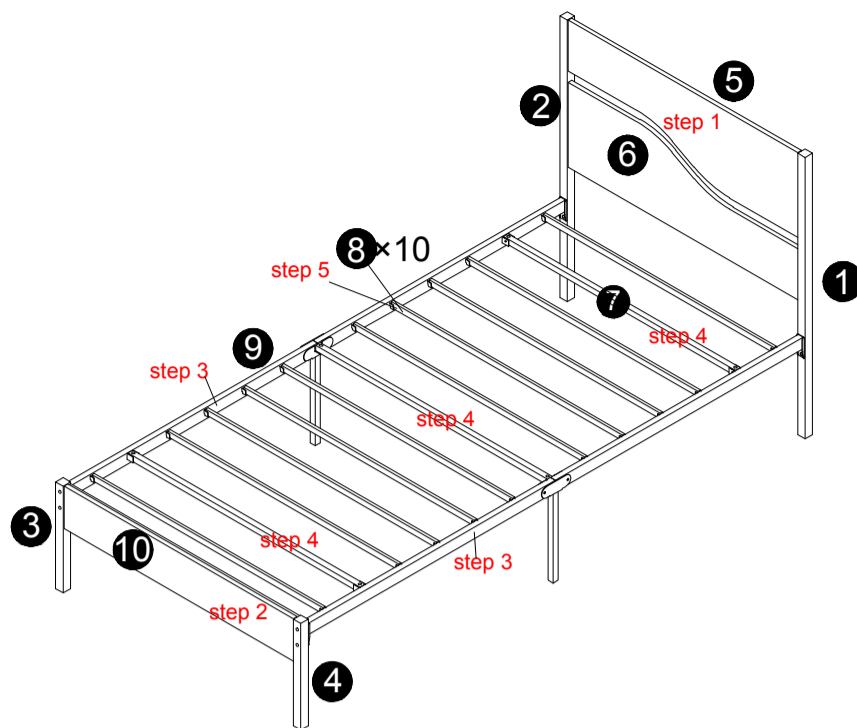


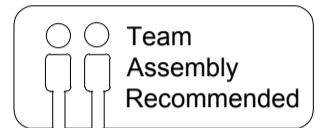
● Bed Frame Installation Manual
 ▲ Manuel d'installation du Cadre de Lit
 ★ Bedienungsanleitung



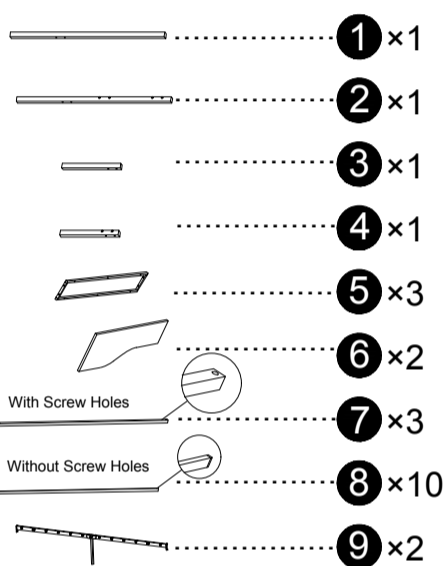
Number System
 Easy assembly by following 1,2,3...

Système de numérotation
 Facile à assembler en suivant 1,2,3...

Zahlensystem
 Einfache Montage durch folgende 1,2,3...



Components / Compositions / Komponenten



Screws & Tools / Vis & Outils / Schrauben & Werkzeuge

A		M8×50mm	×4
B		4×4mm	×2
C		M6×30mm	×6
D		M6×25mm	×16
E		M6×23mm	×18
F			×4
G			×8

● Check all the components & screws before assembly. Do not install in case part is missing, contact us to get. Send email with your question to We will resend within 24 hours.

Vérifiez tous les composants et les vis avant l'assemblage. Ne faites pas l'installation en cas de pièce manquante, contactez-nous pour obtenir. Envoyez un e-mail avec votre question à Nous renverrons dans 24 heures.

Überprüfen Sie alle Komponenten und Schrauben vor der Montage. - Installieren Sie nicht - wenn die Teil fehlt, kontaktieren Sie uns um den zu erhalten. Senden Sie eine E-Mail mit Ihrer Frage an. Wir melden uns innerhalb von 24 Stunden bei Ihnen.

Return Policy / Politique de retour / Rücknahmebedingungen

● We believe you will absolutely love your Metal platform bed. But if for some reason you want to return the foundation, please contact us directly before you decide to return your product. Our customer service organization can answer most concerns and assist you with any questions you may have about your new foundation, please email us first. The item must be returned within 30 days of delivery for a full refund. The item must be returned in good condition, in original box, with all original proof of purchase, parts and accessories.

▲ We are confident that you will absolutely love your metal bed frame. However, for any reason, if you wish to return the item, please contact us directly before you decide to return your product. Our customer service organization can answer most concerns and assist you with any questions you may have about your new foundation, please email us first. The item must be returned within 30 days of delivery for a full refund. The item must be returned in good condition, in original box, with all original proof of purchase, parts and accessories. Please contact us by email. The item must be returned in good condition, in original box, with all original proof of purchase, parts and accessories within 30 days following delivery for a full refund.

★ We believe you will absolutely love your metal bed frame. However, for any reason, if you wish to return the item, please contact us directly before you decide to return your product. Our customer service organization can answer most concerns and assist you with any questions you may have about your new foundation, please email us first. The item must be returned within 30 days of delivery for a full refund. The item must be returned in good condition, in original box, with all original proof of purchase, parts and accessories. Please contact us by email. The item must be returned in good condition, in original box, with all original proof of purchase, parts and accessories within 30 days following delivery for a full refund.

Trouble shooting / Les solutions aux problèmes / Problembehebung

Missing parts / Partie manquante / Fehlende Teile

Send email with your question to/
 Envoyez un e-mail avec votre question à/
 Senden Sie eine E-Mail mit Ihrer Frage an

Resend within 24 hours/
 Renvoyer dans les 24 heures/
 Innerhalb 24 Stunden antworten.

Other issues / Les autres / Andere Probleme

Send email with your question to/
 Envoyez un e-mail avec votre question à/
 Senden Sie eine E-Mail mit Ihrer Frage an

Resend within 24 hours/
 Renvoyer dans les 24 heures/
 Innerhalb 24 Stunden antworten.

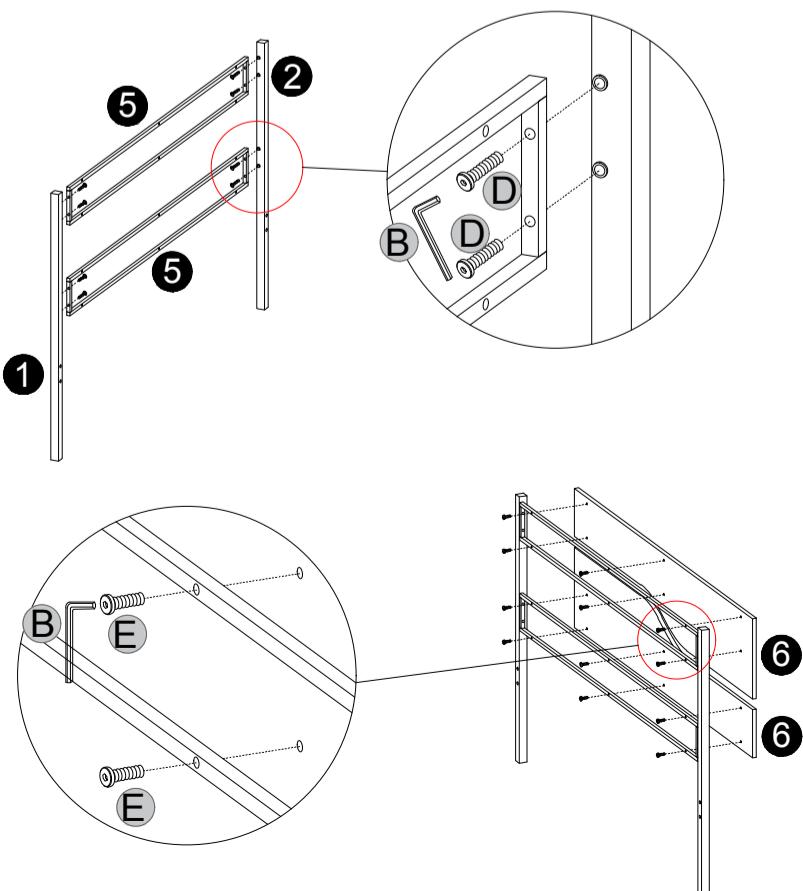
We control manufacturing and distribution ourselves, ensure the quality.
 Nous contrôlons strictement la fabrication et la distribution pour garantir la qualité.
 Wir kontrollieren die Herstellung und den Vertrieb selbst und sichern die hervorragende Qualität.

1

Note: For easy setup intention, do not tighten screws during the installation process

REMARQUE : Pour faciliter l'installation, Ne pas serrer les vis lors de l'installation

HINWEIS: Um die Installation zu vereinfachen, Ziehen Sie die Schrauben bei der Installation nicht fest



2

